

# Continental

*Designer-line*  
WARMERS

## Refrigerator

**ROLL-IN WARMERS**  
**90° TO 180° RANGE**  
**EXTENDED HEIGHT**  
**(72" CART CAPACITY)**

### Standard Features

- Modern, State-of-the-Art Styling
- Top Mounted Heating Plenum "Plug" Design with Circulating Fans for Uniform Temperature Distribution
- Humidity Relief Vent
- 27<sup>3</sup>/<sub>8</sub>" Wide, 72<sup>1</sup>/<sub>2</sub>" High Door Openings
- 3" Non-CFC Polyurethane Foam Insulation
- Cam-Action Lift-Off Hinges
- Self-Closing Doors
- Automatic Interior Lighting
- Cylinder Lock In Each Door
- Exterior Thermostat Control with master On/Off Control Switch
- Removable Stainless Steel Ramps
- Magnetic Snap-In Door Gasket
- Exterior Digital Thermometer
- Removable Stainless Steel Rack Guides

Standard (S/S Front, Aluminum Ends & Interior)  
Suffix SA (S/S Exterior, Aluminum Interior)  
Suffix SS (S/S Exterior & Interior)



### Models Available

- Consult Factory

#### Heating System-(Range 90°F to 180°F)

Electrically operated heating system is controlled by means of a highly sensitive calibrated thermostat mounted on the cabinet front. Fin strip heating elements are located at the base of the interior. Air circulating blower located in a top mounted, concealed "plug" housing distributes heat throughout product zone, assuring uniform cabinet temperatures. Cabinet top has a built-in humidity relief vent. The entire "plug" system is mounted on a sturdy steel, rail-type base which can be easily removed if refrigerator or freezer conversion is desired. A strict quality assurance team inspects all material and components to certify that each model conforms to the most exacting standards. All models are factory performance tested for a minimum of 16 hours prior to crating.

#### Cabinet Construction

All materials are of top quality, assembled to conform with strict quality-assurance requirements. The cabinet front and doors are constructed of heavy-gauge polished stainless steel for durability. All cabinet joints and seams are sealed vapor-tight. Case is of all metal, welded construction and internally supported and braced for a rigid unit construction. Cabinet design eliminates overlapping panels with raw edges. Cabinet body and doors are insulated with non-CFC, foamed-in-place polyurethane foam with an average thickness of 3 inches to ensure increased energy efficiency. Automatic interior lighting is controlled by door openings. Cabinets are equipped with an easily removable, stainless steel ramp and interior rack guides.

#### Door Construction

Door shells are constructed of heavy-gauge stainless steel and are internally braced and urethane-foam-insulated for rigidity. Door corners are of welded construction and polished. Door gaskets are self-adjusting, heavy-duty, magnetic type. Door handles and hinges are chrome-plated and non-corrosive. Doors are provided with built-in cylinder locks which are keyed alike. Hinges are cam action, lift-off type featuring positive safety stop at 120 degrees.





CHARACTERISTICS	DL1WI-SS-E	DL2WI-SS-E	DL3WI-SS-E
DIMENSIONAL DATA	Roll-In	Roll-In	Roll-In
Net Capacity (cu. ft.)	34	68	102
Width, Overall (in.)	35 <sup>1</sup> / <sub>4</sub>	68 <sup>1</sup> / <sub>2</sub>	101 <sup>3</sup> / <sub>4</sub>
Depth, Overall (Incl. Hlds.) (in.)	35 <sup>1</sup> / <sub>2</sub>	35 <sup>1</sup> / <sub>2</sub>	35 <sup>1</sup> / <sub>2</sub>
Depth (Less Door(s)) (in.)	32	32	32
Depth (Doors(s) Open 90°) (in.)	65	65	65
Clear Door Width (in.)	27 <sup>3</sup> / <sub>8</sub>	27 <sup>3</sup> / <sub>8</sub>	27 <sup>3</sup> / <sub>8</sub>
Clear Full-Door Height (in.)	72 <sup>1</sup> / <sub>2</sub>	72 <sup>1</sup> / <sub>2</sub>	72 <sup>1</sup> / <sub>2</sub>
Height, Overall (in.)	92	92	92
No. of Full Door(s)	1	2	3
Rack Capacity*	1	2	3

**ELECTRICAL DATA**

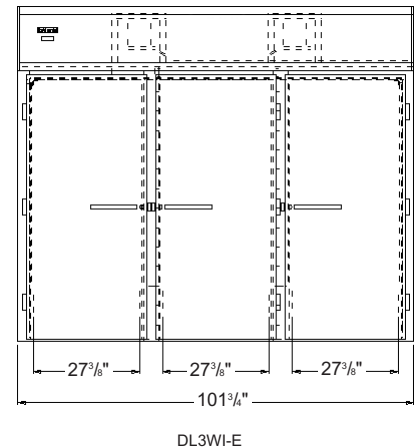
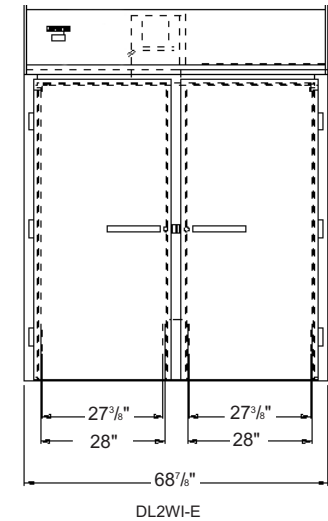
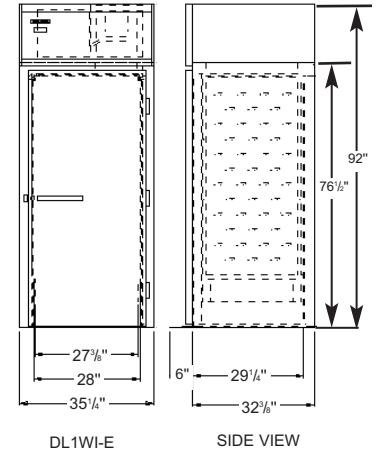
Cabinet Specifications	115/208-230/60/1	115/208-230/60/1	115/208-230/60/1
Feed Wires (Incl. Ground)	4	4	4
Total Amperes	7.8	14.5	22.4
Total Wattage @ 208-230 Volts	1500	3000	4500
Power Supply Cord	no	no	no

**SHIPPING DATA**

Height – crated (in.)	94	94	94
Width – crated (in.)	43	77	109
Depth – crated (in.)	42	42	42
Volume – crated (cu.ft.)	98	176	249
Weight Std – crated (lbs.)	415	680	840
Weight SS – crated (lbs.)	505	720	925
Weight Std – uncrated (lbs.)	330	540	670
Weight SS – uncrated (lbs.)	405	575	740

\*Maximum Rack Size including wheels - 27"W x 29"D x 72"H

Note: All Specifications subject to change without notice



A Division of National Refrigeration & A/C Products, Inc.  
 539 Dunksferry Road Bensalem, PA 19020  
 (800) 523-7138 Fax: (215) 244-9579  
 www.continentalrefrigerator.com

## Free Manuals Download Website

<http://myh66.com>

<http://usermanuals.us>

<http://www.somanuals.com>

<http://www.4manuals.cc>

<http://www.manual-lib.com>

<http://www.404manual.com>

<http://www.luxmanual.com>

<http://aubethermostatmanual.com>

Golf course search by state

<http://golfingnear.com>

Email search by domain

<http://emailbydomain.com>

Auto manuals search

<http://auto.somanuals.com>

TV manuals search

<http://tv.somanuals.com>