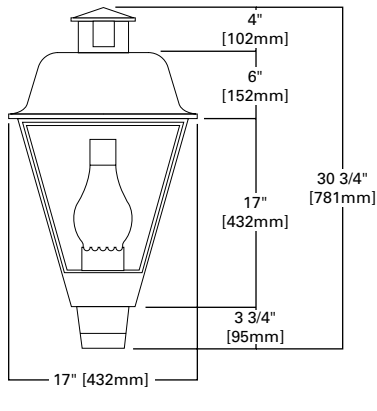


DIMENSIONS



DESCRIPTION

Dayform Traditionaire™ outdoor luminaires display the old-fashioned charm of traditional area lighting, enhancing any setting with a distinctive styling. Graced with a visually appealing design form during the day, surroundings are well-lighted and safe at night. U.L. listed and CSA certified for wet locations.

As a decorative luminaire, the Dayform Traditionaire™ tastefully complements the architectural and environmental design of estates, parks, motels, restaurants, apartments, churches, institutions and roadways.



TRD DAYFORM TRADITIONAIRE™

50 - 175 W

**Metal Halide
High Pressure Sodium**

**POST-TOP
AREA LUMINAIRE**

ORDERING INFORMATION

SAMPLE NUMBER: TRD-150-MH-120-2F-BK

Product Family TRD=Dayform Traditionaire™	Lamp Wattage¹ 50=50W 70=70W 100=100W 150=150W 175=175W	Lamp Type MH=Metal Halide HPS=High Pressure Sodium	Voltage² 120=120V 208=208V 240=240V 277=277V 347=347V 480=480V MT=Multi-Tap ³ TT=Triple-Tap ⁴	Distribution 2F=Type II Formed 3F=Type III Formed 5F=Type V Formed	Color AP=Grey BZ=Bronze BK=Black WH=White GN=Hartford Green DP=Dark Platinum GM=Graphite Metallic	Options & Accessories (See Below)
---	---	---	---	--	---	---

E.P.A. 2.6

Options⁵

R=NEMA Twistlock Photocontrol Receptacle
 L=Lamp Included
 S=Toolless Entry

Accessories⁶

OA/RA1016=NEMA Twistlock Photocontrol—Multi-Tap
 OA/RA1027=NEMA Twistlock Photocontrol—480V
 OA1201=NEMA Twistlock Photocontrol—347V
 TA1BK=Ladder Rest

- Decorative cupola conceals optional photocontrol
- Specular aluminum reflector is available in three distributions
- Hinged, die-cast aluminum cover has steel hinge pins and captive cover-retaining screws
- Injection-molded contoured Polycarbonate lens panels are standard
- Aluminum ballast cover supports a decorative glass chimney
- Single-piece, die-cast aluminum housing has integral base and lens supports
- Integral self-aligning pole top fitter fits 3" O.D. poles or vertical tenons
- Approximate net weight: 20 lbs. (9 kgs.)

NOTES: 1 All Metal Halide lamps 150W and below are medium-base. 175W and above are mogul-base. 2 Product also available in non-US voltages and 50Hz for international markets. Consult factory for availability and ordering information. 3 Multi-Tap ballast is 120/208/240/277V wired 277V. 4 Triple-Tap ballast is 120/277/347V wired 347V. 5 Add as suffix in the order shown. 6 Order separately, replace XX with color suffix. 7 Specifications and dimensions subject to change without notice.

Free Manuals Download Website

<http://myh66.com>

<http://usermanuals.us>

<http://www.somanuals.com>

<http://www.4manuals.cc>

<http://www.manual-lib.com>

<http://www.404manual.com>

<http://www.luxmanual.com>

<http://aubethermostatmanual.com>

Golf course search by state

<http://golfingnear.com>

Email search by domain

<http://emailbydomain.com>

Auto manuals search

<http://auto.somanuals.com>

TV manuals search

<http://tv.somanuals.com>