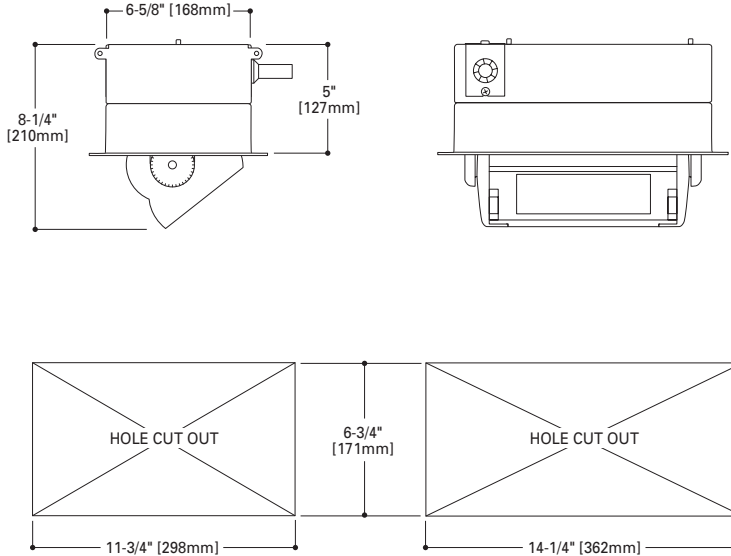


Integral



c-Scroll

SMALL

LAMP CHART

SOURCE	WATTAGE	LENGTH
Tungsten	100	11-3/4"
	150	14-1/4"
	250	14-1/4"
Metal Halide	39	11-3/4"
	70	14-1/4"
	150	14-1/4"
Fluorescent	26	14-1/4"

- Extruded aluminum housing
- Die-cast aluminum end caps
- Integrated visor option - solid, perf or opal window
- Die-formed 94% reflective dual-finish anodized aluminum reflector
- Gasketed hinging doorframe - indoor toolless entry
- PointGrab™ adjustment
- Non-IC rated

ORDERING INFORMATION

SAMPLE NUMBER: SN-SI-N-1-F026-120-W-SRI

Product <input type="checkbox"/> SN c-Scroll No Visor <input type="checkbox"/> SS c-Scroll Solid Visor <input type="checkbox"/> SO c-Scroll Opal Visor <input type="checkbox"/> SP c-Scroll Square Perf Visor	Size - Indoor/Outdoor <input type="checkbox"/> SI Small Indoor	Lens <input type="checkbox"/> C Clear <input type="checkbox"/> P Micro-prismatic <input type="checkbox"/> N None**	No. of Lamps <input type="checkbox"/> 1 1 Lamp	Lamp/Ballast Type <input type="checkbox"/> F Fluorescent (Electronic) <input type="checkbox"/> T Tungsten Halogen <input type="checkbox"/> E Metal Halide (Electronic)	Wattage <input type="checkbox"/> 026 26W (F) <input type="checkbox"/> 039 39W (E) <input type="checkbox"/> 070 70W (E) <input type="checkbox"/> 100 100W (T) <input type="checkbox"/> 150 150W (E, T) <input type="checkbox"/> 250 250W (T)
Voltage <input type="checkbox"/> 120 120V (T) <input type="checkbox"/> 277 277V <input type="checkbox"/> 347 347V	Finish <input type="checkbox"/> W White <input type="checkbox"/> S Silver <input type="checkbox"/> B Bronze <input type="checkbox"/> C Custom (Consult factory)	Mounting <input type="checkbox"/> SRI Semi-Recessed Integral	Modification <input type="checkbox"/> MOD Provide description of the modification. (Consult factory)	Accessories <input type="checkbox"/> Hanger Bars (Consult factory) <input type="checkbox"/> Drywall (Consult factory)	<p><i>Specifications and dimensions subject to change without notice.</i></p> <p>* Not available with all sources or options. (Consult factory)</p> <p>** Only available for Download.</p>

Free Manuals Download Website

<http://myh66.com>

<http://usermanuals.us>

<http://www.somanuals.com>

<http://www.4manuals.cc>

<http://www.manual-lib.com>

<http://www.404manual.com>

<http://www.luxmanual.com>

<http://aubethermostatmanual.com>

Golf course search by state

<http://golfingnear.com>

Email search by domain

<http://emailbydomain.com>

Auto manuals search

<http://auto.somanuals.com>

TV manuals search

<http://tv.somanuals.com>