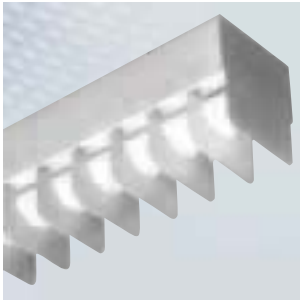


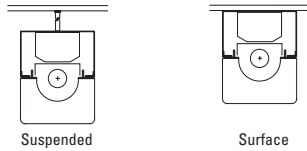
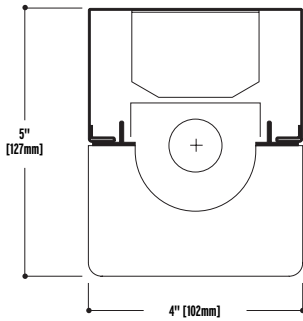
NEO-RAY™



2-S
2-S/DP
2-S/DS

SEMI INDIRECT
DIRECT-INDIRECT

- Direct stack-light distribution.
- Lateral baffles 4" wide by 2.5" high on 2" centers for vertical illumination.
- The light is continuous and unbroken.
- Die formed steel housing, nominal illuminated sections 3', 4', 6' and 8'.
- Runs provided to the nearest foot.
- Housings may be special ordered custom finished.

**Construction**

20-gauge steel housing. Nominal 3', 4', 6' or 8' illuminated sections.

Shielding

Lateral baffle.

Electrical

120, 277 or 347 volt electronic ballast. Fixtures and electrical components certified to UL and CUL standards.

Finish

Durable, low gloss, white, powder coated acrylic finish.

Mounting

2DP; Pendant with single stem (standard) or single cable. Canopy: Round 5-1/2" diameter.

ORDERING INFORMATION:

Sample number: 2SDP-1T8-ST8-1EB-SI-S14

Series

2S=Specialty

Light Output

D=Direct

Mounting

P=Pendant S=Surface

Number of Lamps (not included)

1=1 Lamp 2=2 Lamps

Lamp Type

T8 T5 T5HO

Pendant Options

SC=Single Cable ST=Single Stem²

Run Length

Overall Nominal Run Length__ft. (Any combination of 8', 6', 4' and 3' sections)

Voltage¹

1=120V 2=277V 3=347V U=Universal

Ballast

EB=Electronic Ballast (Standard) DB=Dimming Ballast

Switching

SI=Single Switching DU=Dual Switching (surface mount only)

Emergency

EM=Emergency Pack (Consult Factory)

Fusing

GLR GMF

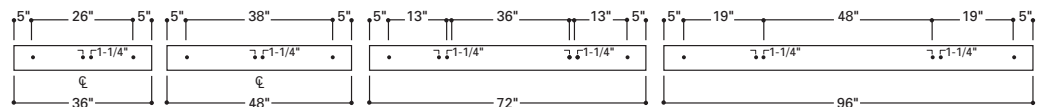
Shielding

S14=Contoured Baffle

¹ Due to various constraints, some options may not be combined with others.
² Need a Pendant Option footnote here.

MOUNTING INFORMATION**TOP HOLE DATA**

• — 7/8" DIA KO



(INDIVIDUAL FIXTURES ONLY)
CONSULT FACTORY FOR CONTINUOUS
RUN APPLICATIONS

SHIELDING OPTIONS

S14 Contoured Baffle

NOTES: For complete product data, refer to the Neo-Ray Specification Binder. Specifications and dimensions subject to change without notice. Products may be modified for use in international markets. Please contact your Cooper Lighting Sales Representative for availability and ordering information.

Free Manuals Download Website

<http://myh66.com>

<http://usermanuals.us>

<http://www.somanuals.com>

<http://www.4manuals.cc>

<http://www.manual-lib.com>

<http://www.404manual.com>

<http://www.luxmanual.com>

<http://aubethermostatmanual.com>

Golf course search by state

<http://golfingnear.com>

Email search by domain

<http://emailbydomain.com>

Auto manuals search

<http://auto.somanuals.com>

TV manuals search

<http://tv.somanuals.com>