

DESCRIPTION

A return to simplicity, elegance and minimalism...Slender lines of unbroken light set in an architectural environment are what of essence of Straight and Narrow is all about. Accommodates most architectural lighting design applications.

Features:

- Straight and Narrow embodies Neo-Ray's critical attention to architectural detail as well as lighting performance
- Continuous and unbroken light
- Extruded aluminum housing offers precise in-line appearance
- Runs are provided to nearest foot

Catalog #	Type
Project	
Comments	
Prepared by	Date

SPECIFICATION FEATURES

Construction

Extruded aluminum housing. Nominal 3', 4', 6' or 8' illuminated sections.

Shielding

Trimless, snap-in white high transmission acrylic diffuser. Snap-in high performance semi-specular or white parabolic louver.

Electrical

120, 277 or universal voltage, electronic ballast. Fixtures and electrical components certified to UL and CUL standards.

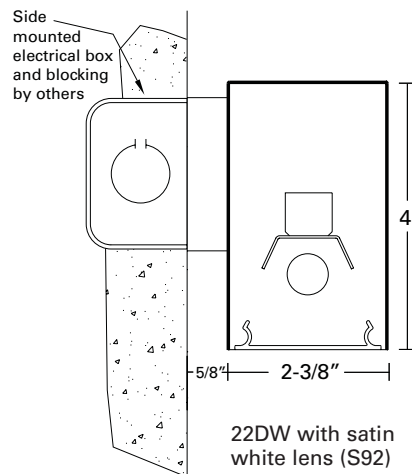
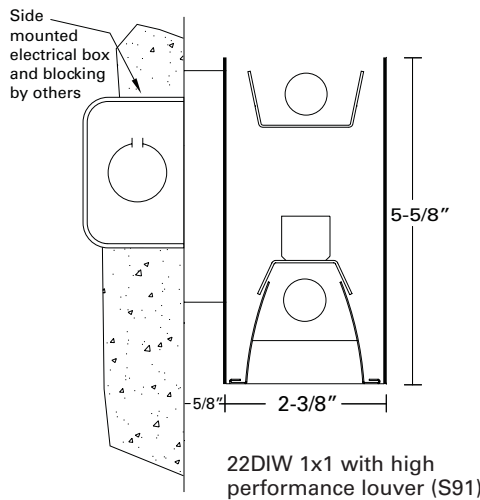
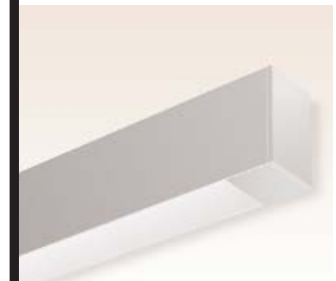
Finish

Durable, low gloss, white powder coated acrylic. Optional custom finish.

Mounting

Fixture mounts directly to existing structure over a standard electrical box (not supplied by Neo-Ray). Blocking provided by others.

ADA Compliant



Straight & Narrow
22DIW
22DW

T5 or T5HO

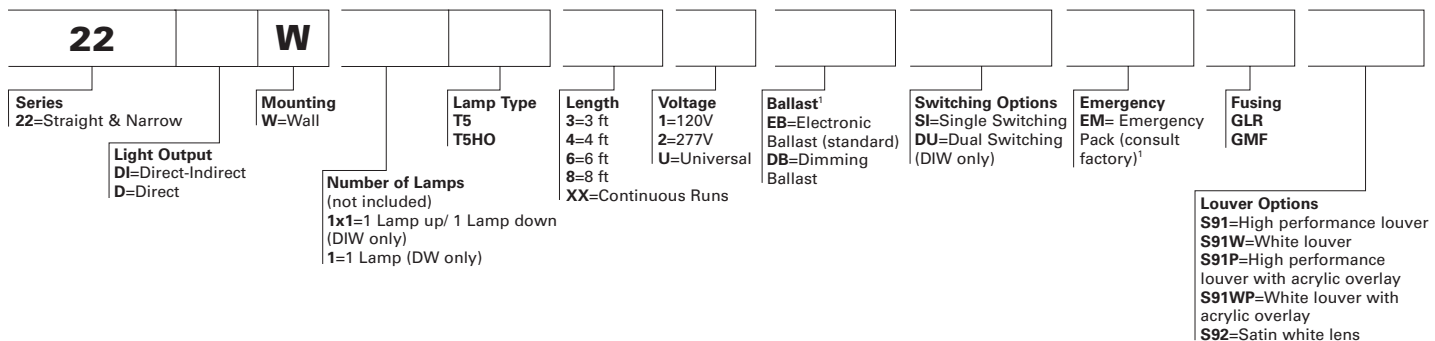
WALL

DIRECT-INDIRECT (DIW)
DIRECT (DW)



ORDERING INFORMATION

SAMPLE NUMBER: S22DIW/1X1T5HO/4/1EB-SI-EM-GLR-S91



¹ Required voltage information
 • For some electronic, dimming and EM battery pack ballast combinations fixture has space limitation (consult factory)
 • Not all option combination available, please consult your COOPER Lighting representative for additional information

PHOTOMETRICS



22DW
 1T5 lamp with
 Satin White Lens (S92)
 Efficiency 37.0%
 Test#13403

Zonal Lumen Summary

Zone	Lumens	%Lamp	%Fixture
0-30	309	10.6	28.8
0-40	501	17.3	46.8
0-60	860	29.7	80.2
0-90	1072	37.0	100.0
0-180	1072	37.0	100.0

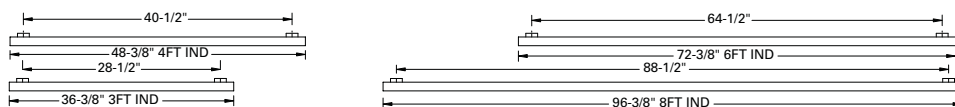
Total Luminaire Efficiency = 37.0%

Candela

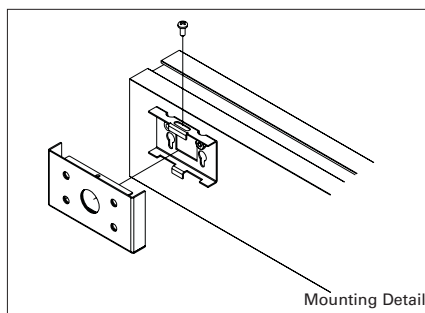
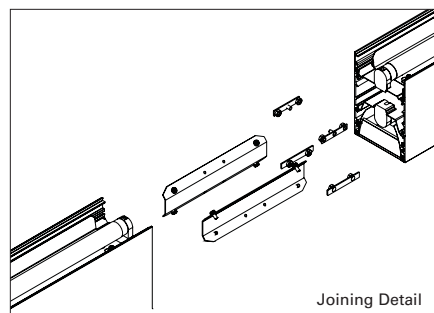
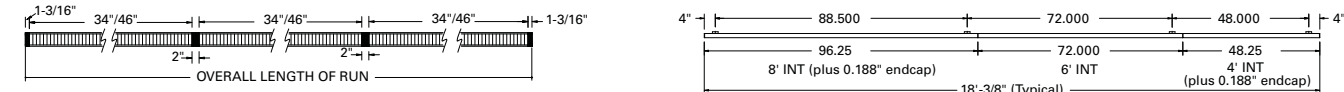
Angle	Along ll	45°	Across ⊥
0	383	383	383
5	387	387	387
15	386	386	386
25	351	351	350
35	307	307	306
45	250	250	249
55	185	184	184
65	125	125	126
75	63	65	68
85	14	16	19
90	0	0	0

MOUNTING INFORMATION

INDIVIDUAL



ROWS



FEATURES AND OPTIONS

OPTICAL OPTIONS



High Performance Louver Satin White Lens Direct/Indirect (top view)

SERIES COMPANION PRODUCTS (Reference other spec sheets if necessary)



22DIP Direct/Indirect Pendant 22DP Direct Pendant 22DS Surface 22DR Recessed (Ceiling & Wall)

Free Manuals Download Website

<http://myh66.com>

<http://usermanuals.us>

<http://www.somanuals.com>

<http://www.4manuals.cc>

<http://www.manual-lib.com>

<http://www.404manual.com>

<http://www.luxmanual.com>

<http://aubethermostatmanual.com>

Golf course search by state

<http://golfingnear.com>

Email search by domain

<http://emailbydomain.com>

Auto manuals search

<http://auto.somanuals.com>

TV manuals search

<http://tv.somanuals.com>