

MCGRAW-EDISON®



BSC / BRC BOLLARD

2 6 - 1 0 0 W

**Metal Halide
High Pressure Sodium
Compact Fluorescent
Incandescent**

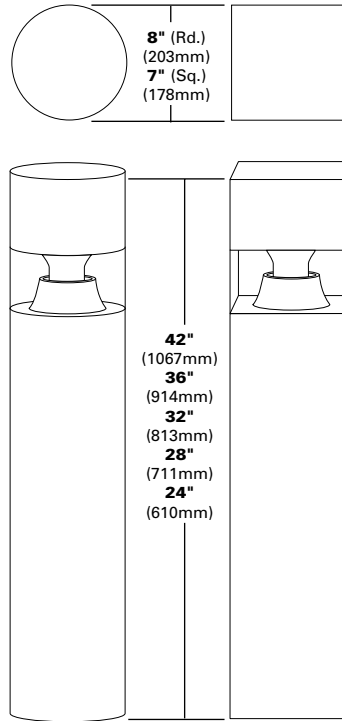
PATHWAY LUMINAIRE

- Aluminum top provides rapid heat dissipation
- Impact-resistant clear acrylic lens measures 1/4" thick
- Lower dispersing reflector combines with truncated octagonal upper collecting reflector to provide low-glare, efficient illumination
- Seamless aluminum tube lifts off base for easy access to ballast. Finished in weather- and abrasion resistant polyester powder coat
- Quick-disconnect ballast located at housing base. Ballast assembly mounted on bracket and secured to base with two screws
- Rugged cast-aluminum base is completely sealed
- Medium-base porcelain socket
- Approximate net weight: 26 lbs. (12 kgs.)

DESCRIPTION

The McGraw-Edison BSC / BRC Bollard, available in heights from 24" to 42", has crisp, clean lines which blend with any architectural setting. Constructed of seamless, heavy-duty aluminum and finished with tough polyester powder coat, the Bollard is gasketed to seal out external contaminants. U.L. 1598 listed and CSA certified for wet locations.

DIMENSIONS



ORDERING INFORMATION

SAMPLE NUMBER: BSC-36-100-MH-MT-BK

Product Family BSC=Square Bollard with Clear Lens, & Square Top BRC=Round Bollard with Clear Lens, & Cylindrical Top	Fixture Height 24=24" 28=28" 32=32" 36=36" 42=42"	Lamp Wattage HID ¹ 35=35W ² 50=50W 70=70W 100=100W 150=150W 175=175W Compact Fluorescent ³ 26=26W 32=32W 42=42W	Lamp Type MH=Metal Halide HPS=High Pressure Sodium CF=Compact Fluorescent ⁴ IC=Incandescent	Voltage ⁵ 120=120V 208=208V 240=240V 277=277V MT=Multi-Tap ⁶ TT=Triple-Tap ⁷ UNV=Universal 120-277V ³	Color ⁸ BK=Black AP=Grey BZ=Bronze WH=White DP=Dark Platinum GM=Graphite Metallic	Options & Accessories (See Below)
---	---	--	---	---	---	---

Options⁹

- F=Single Fuse (120, 277 or 347V)
- FF=Double Fused (208 or 240V)
- R1=Provisional Cut for GFI Receptacle¹⁰
- R2=Installed GFI Receptacle¹⁰
- PL=Polycarbonate Lens¹¹
- CF/EM=Emergency Battery Pack¹²
- L=Lamp Included¹³

NOTES: 1 All lamps are medium-base. 2 35W HPS available in 120V only. 3 Compact Fluorescent only Electronic ballast universal voltage 120-277V. 4 Nominal length not to exceed 7". 5 Product also available in non-US voltages and 50Hz for international markets. Consult factory for availability and ordering information. 6 Multi-Tap ballast is 120/208/240/277V wired 277V. 7 Triple-Tap ballast is 120/277/347V wired 347V. 8 Other finish colors available, including a full line of RAL color matches. Consult your Cooper Lighting Representative. 9 Add as suffix in the order shown. 10 Location of R1 and R2 option on housing subject to height of luminaire. 11 Available with BSC only. 12 CF lamps only, rated minimum operating temperature 32° F (0° C). 13 Coated lamp standard. Must specify clear lamp if desired. 14 Specifications and dimensions subject to change without notice.

Free Manuals Download Website

<http://myh66.com>

<http://usermanuals.us>

<http://www.somanuals.com>

<http://www.4manuals.cc>

<http://www.manual-lib.com>

<http://www.404manual.com>

<http://www.luxmanual.com>

<http://aubethermostatmanual.com>

Golf course search by state

<http://golfingnear.com>

Email search by domain

<http://emailbydomain.com>

Auto manuals search

<http://auto.somanuals.com>

TV manuals search

<http://tv.somanuals.com>