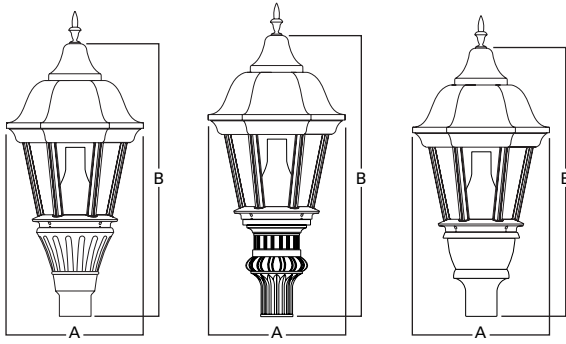


DIMENSIONS



Fixture	A	B
CAC	20 3/8" [516mm]	40 7/8" [1038mm]
CAA	20 3/8" [516mm]	40 1/4" [1022mm]
CAR	20 3/8" [516mm]	41 1/4" [1048mm]

DESCRIPTION

The Cascade Series from McGraw-Edison combines traditional styling with Dark Sky Friendly cutoff classified performance that provides excellent uniformity. Cascades' styling blends well in many settings downtown streetscapes, roadways residential neighborhoods and city parks.



CAC/CAA/CAR CASCADE SERIES POST TOP

50-250W

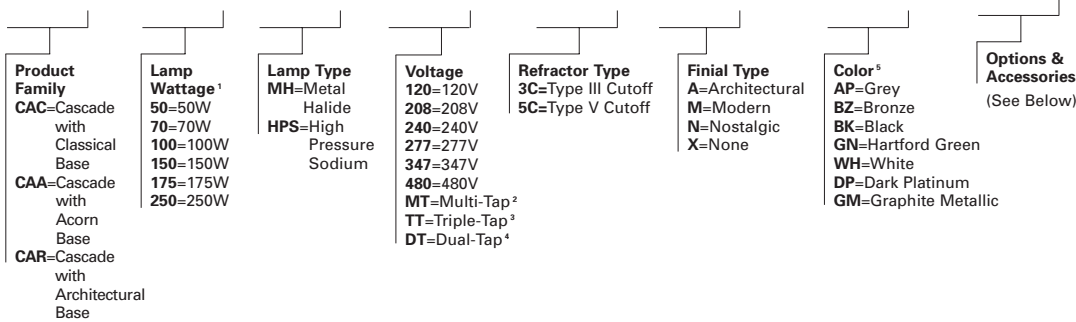
Metal Halide

High Pressure Sodium

**DECORATIVE
LUMINAIRE**

ORDERING INFORMATION

SAMPLE NUMBER: CAC-150-HPS-277-3C-X-BK-L



E.P.A. 2.1

Options⁶

F=Single Fuse (120, 277 or 347V)
FF=Double Fuse (208, 240 or 480V)
CC=Matte Black Electrical Cover
R=Internal NEMA photocontrol Receptacle
L=Lamp Included

Accessories⁷

OA/RA1016=NEMA Twistlock Photocontrol—Multi-Tap
OA/RA1027=NEMA Twistlock Photocontrol—480V
OA1201=NEMA Twistlock Photocontrol—347V

- Six-sided cast aluminum top with spun aluminum top access cover for tool-less lamp replacement
- Highly specular multi-faceted CVL reflector system provides a Type III or V Cutoff distribution. Vertical lamp position maximizes light output, ensures a uniform distribution and minimizes direct glare
- Six-sided thermoformed acrylic lens standard
- Decorative spun brushed aluminum electrical cover provided
- Ballast assembly is mounted on a removable tray with quick disconnects for ease of installation and maintenance
- Optional NEMA PCR is provided with quick disconnects for ease of maintenance
- Post top mount fits 3" O.D. tenons. Four (4) allen head stainless steel fasteners standard
- Approximate net weight: 50 lbs. (23 kgs.)

NOTES: 1 Medium-base lamps standard for 150W and below Metal Halide. 2 Multi-Tap ballast is 120/208/240/277V wired 277V. 3 Triple-Tap ballast is 120/277/347V wired 347V. 4 Dual-Tap ballast is 120/277V wired 277V. 5 Other finish colors available, including a full line of RAL color matches. Consult your Cooper Lighting Representative. 6 Add as suffix in the order shown. 7 Order separately. 8 Specifications and dimensions subject to change without notice.

Free Manuals Download Website

<http://myh66.com>

<http://usermanuals.us>

<http://www.somanuals.com>

<http://www.4manuals.cc>

<http://www.manual-lib.com>

<http://www.404manual.com>

<http://www.luxmanual.com>

<http://aubethermostatmanual.com>

Golf course search by state

<http://golfingnear.com>

Email search by domain

<http://emailbydomain.com>

Auto manuals search

<http://auto.somanuals.com>

TV manuals search

<http://tv.somanuals.com>