

COOPER LIGHTING - SURE-LITES®



CAX SERIES

AC Only

LED Lamping

EXIT LIGHTING

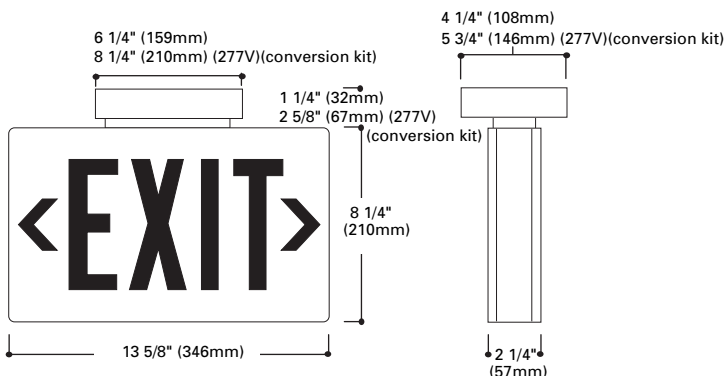
- 120 VAC or 277 VAC Input wattage
- Die cast aluminum housing with hinged face plate and die cast canopy for ceiling or end mounting
- Screw-In LED Lamps: two 1W long life T6 1/2 intermediate base lamps
- Universal pattern knockouts on rear of single face housing for direct mounting to junction box
- NFPA 101 compliant knockout chevrons allow quick conversion to directional signs
- Damp Location Listed (except exits with "2C" Option), UL 924 Listed, Life Safety NFPA 101, CSA certified, NEC/OSHA, UL FTBR Listed (consult your Cooper Lighting Representative for applicable fixture types), most state and local codes

DESCRIPTION

The Sure-Lites Pinnacle Family of Surface Mounted Die Cast Aluminum Exits combine strength, durability and aesthetics. The pleasing lines and the range of architecturally compatible finishes will add a new dimension to any design.

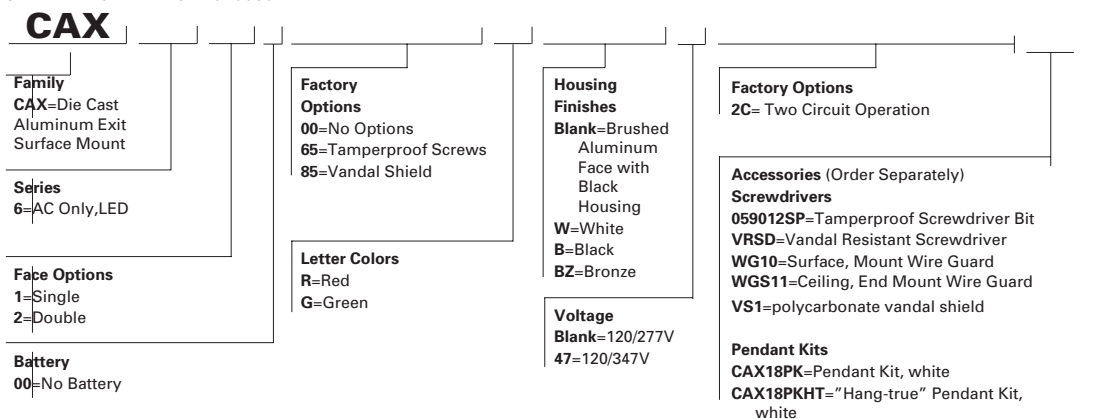
Unlike competitive units that have a pronounced dot effect from protruding diodes, the Pinnacle LED offers unequalled uniform illumination and brightness.

DIMENSIONS



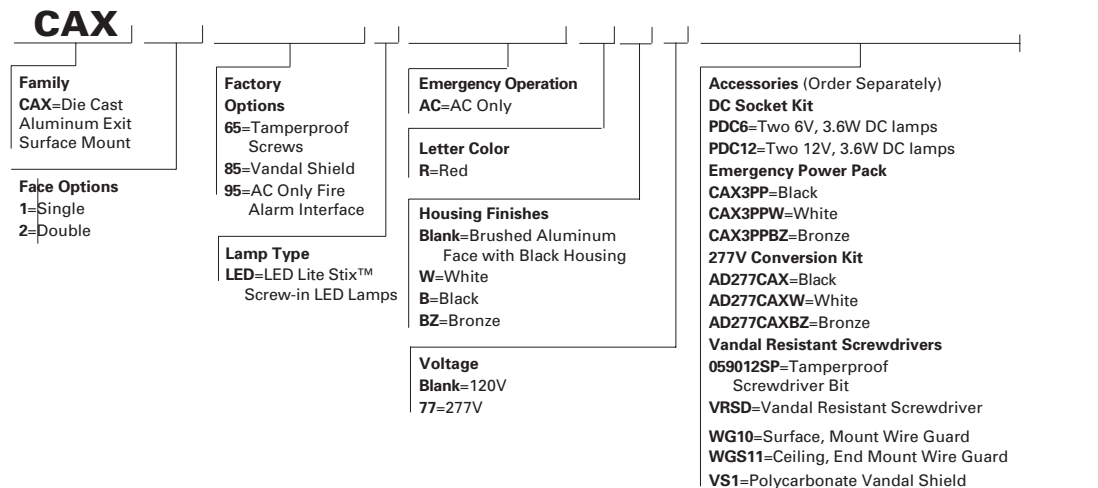
ORDERING INFORMATION- LED LAMP EXITS

SAMPLE NUMBER: CAX610065RB



ORDERING INFORMATION-SCREW-IN LED EXITS

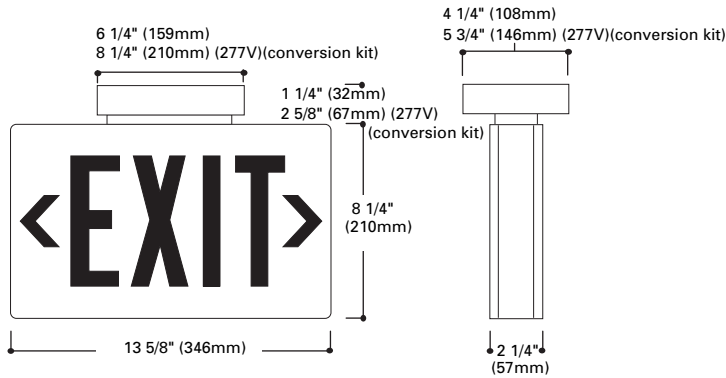
SAMPLE NUMBER: CAX1LEDACR



Energy Data

	Input Power:			Input Current(Max.):			Power Factor:		T.H.D.:	
	120V	277V	347V	120V	277V	347V	120V	277V	120V	277V
Standard Power - LED Exits										
Red Letters Single Face	5.6W	5.7W	6.0W	.07A	.03A	.02A	>.71	>.71	<36%	<36%
Red Letters Double Face	7.3W	7.5W	8.3W	.07A	.03A	.03A	>.83	>.83	<33%	<34%
Green Letters Single Face	6.7W	6.8W	6.8W	.07A	.03A	.02A	>.79	>.79	<30%	<31%
Green Letters Double Face	9.5W	9.7W	9.9W	.09A	.04A	.03A	>.90	>.90	<26%	<27%
LED Lite-Stix™ Screw-In Lamps										
Red Letters	2.0W 4.3W			.09A .03A			>.19	>.58	<19%	<22%

DIMENSIONS



DESCRIPTION

The Sure-Lites Pinnacle Family of Surface Mounted Die cast Aluminum Exits combine a strength, durability and aesthetics. The pleasing lines and the range of architecturally compatible finishes will add a new dimension to any design.



CAX SERIES

Die Cast
AC Only

Incandescent, Compact
Fluorescent Lamping

EXIT LIGHTING

ORDERING INFORMATION-INCANDESCENT, FLUORESCENT LAMP EXITS

SAMPLE NUMBER: CAX410065RB

CAX

Family
CAX=Die Cast Aluminum Exit

Series
2=AC Only, Incandescent
4=AC Only, Fluorescent

Face Options
1=Single
2=Double

Battery
00=No Battery

Factory Options
00=No Options
65=Tamperproof Screws
85=Vandal Shield
95=AC Only Fire Alarm ⁽²⁾ Interface

Letter Colors
R=Red
G=Green
RWO=Red on White ⁽¹⁾
GWO=Green on White ⁽¹⁾
WRO=White on Red ⁽¹⁾
WGO=White on Green ⁽¹⁾
O=Open Face ⁽¹⁾

Housing Finishes
Blank=Brushed Aluminum Face with Black Housing
W=White
B=Black
BZ=Bronze

Voltage
Blank=120V
77=277V

Factory Options
2C= Two Circuit Operation

Accessories (Order Separately)
DC Socket Kit (Incandescent only)
PDC6=Two 6V, 3.6W DC lamps
PDC12=Two 12V, 3.6W DC lamps

Emergency Power Pack (Incandescent Only)
CAX3PP=Black
CAX3PPW=White
CAX3PPBZ=Bronze

277V Conversion Kit
AD277CAX=Black
AD277CAXW=White
AD277CAXBZ=Bronze

Screwdrivers
0590-12SP= Tamperproof Screwdriver Bit
VRSD=Vandal Resistant Screwdriver

Wire Guard
WG1=Surface, Wire Guard
WGS11=Ceiling, End Wire Guard
VS1=Polycarbonate Vandal Shield

Pendant Kits
CAX18PK=Pendant Kit, white
CAX18PKHT="Hang-true" Pendant Kit, white

- 120 VAC or 277 VAC input voltage
- Die cast aluminum housing with hinged face plate and die-cast canopy for ceiling or end mounting
- AC incandescent: two 20W T6 1/2 intermediate base lamps
- AC fluorescent: two 5W F5TT compact fluorescent lamps
- Universal pattern knockouts on rear of single face housing for direct mounting to junction box
- NFPA 101 compliant knockout chevrons allow quick conversion to directional signs
- Stencil and open face signs available
- Downlight diffuser
- Damp Location Listed, UL 924 Listed, Life Safety NFPA 101, CSA certified, NEC/OSHA, UL FTBR Listed (consult your Cooper Lighting Representative for applicable fixture types), most state and local codes

Energy Data

	Input Power:		Input Current (Max.):				Power Factor:		T.H.D.:	
	120V	277V	120V	277V	120V	277V	120V	277V	120V	277V
Incandescent Exits										
Incandescent Exits	4.0W	4.2W	.33A	.16A	-	-	-	-	-	-
Fluorescent Exits										
Fluorescent Exits - 5W Lamps	14W	21W	.29A	.32A	>.40	>.24	<14%	<11%		
Fluorescent Exits - 7W Lamps	15W	23W	.25A	.30A	>.50	>.27	<16%	<12%		

Notes: AC compact fluorescent CAX Series Exits cannot be converted to self-powered emergency.

⁽¹⁾RWO, GWO, WRO, and WGO are open face styles with "EXIT" legend. Use "O" option for ordering special wording-lenses ordered separately (consult Cooper Lighting Representative). ⁽²⁾ AC Only Fire Alarm Interface Option available on incandescent lamp exits only.

Download from www.somanuals.com. All Manuals Search And Download.

COOPER LIGHTING - SURE-LITES®



CAX SERIES

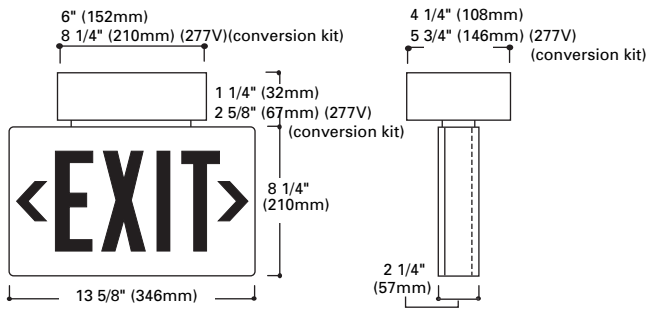
Die Cast
Self-Powered
LED Lamping
EXIT LIGHTING

- Dual-voltage input 120/277VAC, 60Hz
- Die cast Aluminum housing with hinged faceplate and die cast canopy for ceiling or end mounting
- Screw-in LED lamps: two 1W long life T 6 1/2 intermediate base lamps
- Lead Calcium or Premium Nickel Cadmium battery
- Universal pattern knockouts on rear of single face housing for direct mounting to junction box
- NFPA 101 compliant knockout chevrons allow quick conversion to directional signs
- Line-latching, Solid-State voltage limited charger, Solid-State switching, low-voltage disconnect, brownout circuit, overload/short-circuit protection, test switch/power indicator light
- UL 924 Listed, Life Safety NFPA 101, CSA certified, NEC/OSHA, most state and local codes

DESCRIPTION

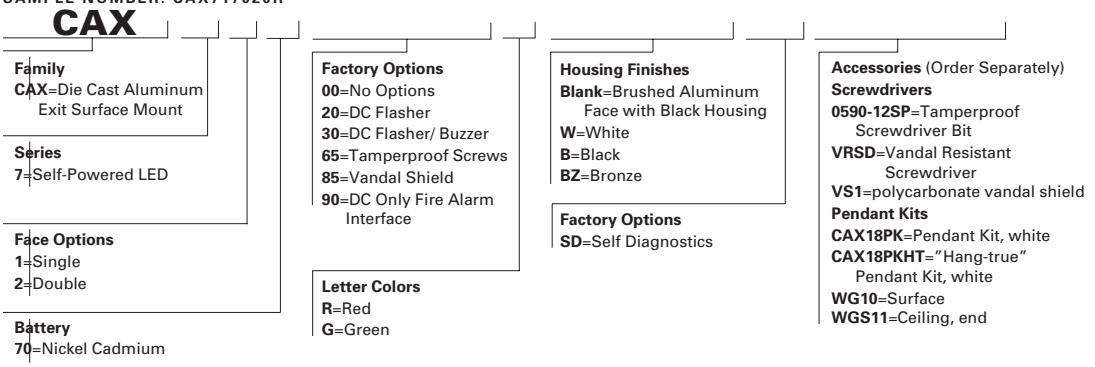
The Sure-Lites Pinnacle Family of Surface Mounted Die cast Aluminum Exits combine strength, durability and aesthetics. The pleasing lines and the range of architecturally compatible finishes will add a new dimension to any design.

DIMENSIONS



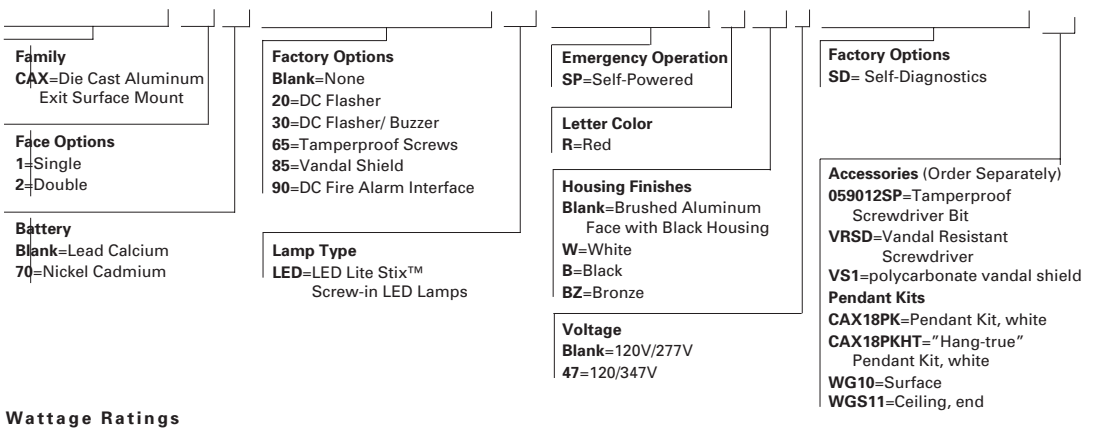
ORDERING INFORMATION-LED LAMP EXITS

SAMPLE NUMBER: CAX717020R



ORDERING INFORMATION-SCREW-IN LED LAMPS

SAMPLE NUMBER: CAX1LEDSPR



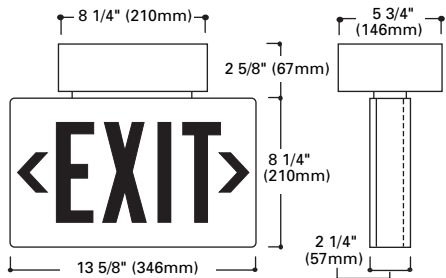
Wattage Ratings

Lead Calcium Battery=10.8W for 1 1/2 hrs., 7.2W for 2 hrs. Nickel Cadmium Battery=15.0W for 1 1/2 hrs.

Energy Data

	Standard Power - Sealed Nickel Cadmium Battery - LED Exits									
	Input Power:		Input Current (Max.):		Power Factor:		T.H.D.:			
	120V	277V	347V	120V	277V	347V	120V	277V	120V	277V
Red Letters Single Face	7.4W	7.5W	7.6W	.08A	.04A	.03A	>.72	>.72	<34%	<34%
Red Letters Double Face	9.3W	9.5W	9.6W	.09A	.04A	.03A	>.84	>.84	<31%	<32%
Green Letters Single Face	8.5W	8.7W	8.4W	.09A	.04A	.03A	>.79	>.79	<30%	<31%
Green Letters Double Face	11.4W	11.7W	11.2W	.11A	.05A	.04A	>.90	>.90	<26%	<26%
Standard Power with Self Diagnostics Option (Fully Discharged Battery) - LED Exits										
Red Letters Single Face	8.4W	8.5W	8.6W	.08A	.04A	.03A	>.82	>.82	<31%	<31%
Red Letters Double Face	9.8W	9.5W	9.7W	.09A	.04A	.03A	>.86	>.84	<30%	<30%
Green Letters Single Face	9.1W	9.0W	9.2W	.09A	.04A	.03A	>.86	>.85	<27%	<27%
Green Letters Double Face	11.2W	10.5W	10.5W	.10A	.05A	.03A	>.90	>.88	<25%	<26%
Standby Mode (Fully Charged Battery) Sealed Nickel Cadmium Battery Input Power consumption is reduced by approximately 1.5 Watts										
Self Diagnostic Option with Low Power Option (Operating in Low Power Mode) (Fully Discharged Battery) - LED Exits										
Red Letters Single Face	6.5W	6.7W		.07A	.03A		>.75	>.72	<37%	<37%
Red Letters Double Face	7.8W	8.1W		.08A	.04A		>.80	>.80	<33%	<33%
Standby Mode (Fully Charged Battery) Sealed Nickel Cadmium Battery Input Power consumption is reduced by approximately 4 Watts										
Charge Mode, Fully Discharged Battery): Sealed Lead Calcium Battery Screw-in LED Lamps										
Red Letters	16.6W	17.5W	.15A	.07A			>.91	<28%	<28%	
Standby Mode (Fully Charged Battery) Sealed Nickel Cadmium Battery Input Power consumption is reduced by approximately 10 Watts in the standby operating mode										
Sealed Nickel Cadmium Battery: Screw-in LED Lamps										
Red Letters	8.4W	8.3W	.08A	.03A			>.92	<35%	<34%	

DIMENSIONS



DESCRIPTION

The Sure-Lites Pinnacle Family of Surface Mounted Die Cast Aluminum Exits combine strength, durability and aesthetics. The pleasing lines and the range of architecturally compatible finishes will add a new dimension to any design.



CAX SERIES

Die Cast
Self-Powered

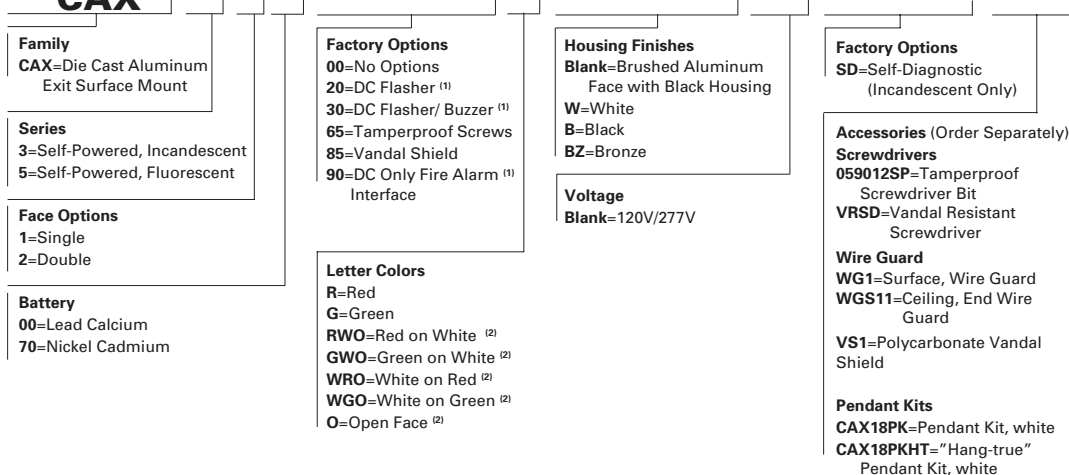
Incandescent, Compact
Fluorescent Lamping

EXIT LIGHTING

ORDERING INFORMATION-INCANDESCENT, FLUORESCENT EXITS

SAMPLE NUMBER: CAX310085R

CAX



Wattage Ratings

Lead Calcium Battery=10.8W for 1 1/2 hrs., 7.2W for 2 hrs. Nickel Cadmium Battery=15.0W for 1 1/2 hrs.

Energy Data

Charge Mode (Fully Discharged Battery): Sealed Lead Calcium Battery

	Input Power:		Input Current (Max.):		Power Factor:		T.H.D.:	
	120V	277V	120V	277V	120V	277V	120V	277V
Incandescent Exits-20W Lamps	53W	51W	.45A	.19A	>.99	>.98	<9%	<10%
Fluorescent Exits-5W Lamps	29W	30W	.40A	.16A	>.61	>.66	<12%	<11%

Standby Mode (Fully Charged Battery) Sealed Lead Calcium Battery Input Power consumption is reduced by approximately 12 Watts in the standby operating mode

Sealed Nickel Cadmium Battery

Incandescent Exits-20W Lamps	45W	43W	.38A	.16A	>.99	>.99	<7%	<7%
Fluorescent Exits - 5W Lamps	20W	21W	.36A	.15A	>.48	>.52	<15%	<14%

- Dual-voltage input 120/277VAC, 60Hz
- Die cast aluminum housing with hinged faceplate and die-cast canopy for ceiling or end mounting
- AC incandescent: two 20W T6 1/2 intermediate base lamps
- AC fluorescent: two 5W F5TT compact fluorescent lamps
- Lead Calcium or Premium Nickel Cadmium battery
- Universal pattern knockouts on rear of single face housing for direct mounting to junction box
- NFPA 101 compliant knockout chevrons allow quick conversion to directional signs
- Stencil and open face signs available
- Downlight diffuser
- Line-latching, Solid-State voltage limited charger, Solid-State switching, low-voltage disconnect, brownout circuit, overload/short-circuit protection, test switch/power indicator light
- UL 924 Listed, Life Safety NFPA 101, CSA Certified, NEC/OSHA, UL FTBR Listed, most state and local codes

⁽¹⁾DC Flasher, DC Flasher/Buzzer and DC Fire Alarm Interface options available with Incandescent exits only. ⁽²⁾RWO, GWO, WRO, and WGO are open face styles with "Exit" legend. Use "O" option for ordering special wording-lenses ordered separately (consult Cooper Lighting Representative).

Free Manuals Download Website

<http://myh66.com>

<http://usermanuals.us>

<http://www.somanuals.com>

<http://www.4manuals.cc>

<http://www.manual-lib.com>

<http://www.404manual.com>

<http://www.luxmanual.com>

<http://aubethermostatmanual.com>

Golf course search by state

<http://golfingnear.com>

Email search by domain

<http://emailbydomain.com>

Auto manuals search

<http://auto.somanuals.com>

TV manuals search

<http://tv.somanuals.com>