

COOPER LIGHTING - SURE-LITES®

DESCRIPTION

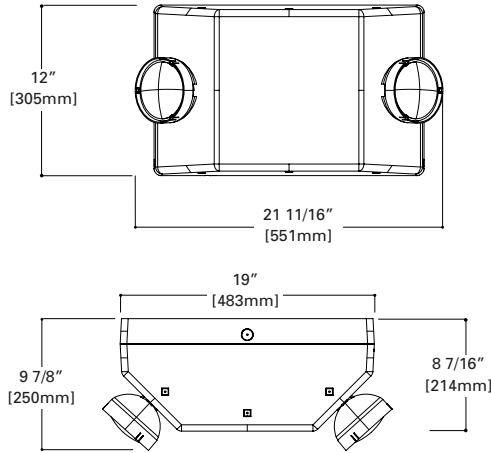
The Contractor's Choice FasTest™ Ultra High-Capacity Emergency Lighting Units are an affordable, yet attractive, alternative to standard two-headed emergency lighting units. All components snap together to facilitate installation in 5 minutes or less. Field versatility is not sacrificed for cost, both lighting heads offer horizontal and vertical adjustability. Moreover, proper operation of the transfer circuit and emergency lamps can be quickly and safely verified by using a convenient laser pointer (sold as an accessory). In addition, Watchguard EMS self diagnostic system is standard.

The CC Series Ultra High-Capacity Emergency Lighting Units are ideal for applications that demand the minimum cost but also require maximum flexibility, reliability and convenience in an attractive unit.



Verify proper operation of the transfer circuit and emergency lamps with convenient laser pointer (sold as an accessory).

DIMENSIONS



Self-Diagnostics

The self-diagnostic unit will automatically perform all tests required by UL924, and NFPA 101. The system indicates the status of the exit at all times using the LED indicator near the test switch on the side of the unit. A 90 minute battery power (emergency mode) simulation test will occur randomly once every six months.



**CC9
CC10
CC11
CC12**

**Contractor's Choice
Ultra High Capacity**

EMERGENCY LIGHT

- Dual-Voltage Input 120/277 VAC, 60 Hz
- Injection-Molded, Color-Stable, High-Impact UL 94-5V Rated Polycarbonate Housing and Mounting Plate
- Designer white textured finish
- Maintenance Free Sealed Lead Calcium Battery
- Housing Has (8) Locations for Mounting of Heads; Consult Factory (3 optional bottom-mount and 3 optional top-mount locations)
- Knockouts/Cutouts Provided in Housing for Surface Conduit Attachment
- Watchguard EMS self diagnostic system
- Remote Photocell Test Switch with Automatic 30-Sec. Test Upon Switch Activation
- Line-Latching, Solid-State Voltage Limited Charger, Solid-State Switching, Low-Voltage Disconnect, Brownout Circuit, Overload/Short Circuit Protection, Push-Button Test Switch/Power Indicator Light
- UL 924, Life Safety NFPA 101, NEC/OSHA, Most State and Local Codes

ELECTRICAL RATINGS

Model	Rated Wattage to 87 1/2% of Rated D.C. Voltage			Lamp Information			
	DC Voltage	1 1/2 Hours	Remote Capability	Type	Wattage	Number	Spacing ⁽¹⁾
CC9SD	12	160	136W	Incandescent	12 ea.	029-132	24'
CC10SD	12	200	176W	Incandescent	12 ea.	029-132	24'
CC11SD	12	240	216W	Incandescent	12 ea.	029-132	24'
CC12SD	12	300	276W	Incandescent	12 ea.	029-132	24'
CC9SDMRT	12	160	136W	MR16	12 ea.	029-141	50'
CC10SDMRT	12	200	176W	MR16	12 ea.	029-141	50'
CC11SDMRT	12	240	216W	MR16	12 ea.	029-141	50'
CC12SDMRT	12	300	276W	MR16	12 ea.	029-141	50'

ORDERING INFORMATION

SAMPLE NUMBER: CC9SDMRT2142SM

	Options (add as suffix)	Accessories (order separately)
Model Number CC9SD CC10SD CC11SD CC12SD	SQ =Square Head (12W Standard) MRT =MR16 Heads (12W Standard) Alternate Lamps - Specify quantity, lamp number (from Technical Information section) and mounting location (below), e.g. CC9SD213ASM319TM219BM SM =Side Mount Heads (2 lamp max.) TM =Top Mount Heads (3 lamp max.)	LASER =Key Chain, Red Laser Pointer (activation tested at 30 feet) VS1 =Polycarbonate Vandal Shield VS1WP =Polycarbonate Vandal Shield Weather Resistant WG3 =Wire Guard 2MSWH =Mounting Shelf
	BM =Bottom Mount Heads (3 lamp max.) Electrical Options A =Ammeter V =Voltmeter TDM -Time Daily Monitor CSK120 =120V Cord Set CSK277 =277V Cord Set Other Options: Consult Cooper Lighting Representative	

⁽¹⁾ The "Rule of Thumb" spacing guidelines are designed to achieve 1 foot-candle average and 0.1 foot-candle minimum with a 40:1 maximum/minimum ratio. The corridor used is 100 feet long, 9 feet ceiling with a 6 feet wide walkway and 3 feet path of egress. The reflectances are 80% ceiling, 50% walls and 20% floors. The fixture mounting height is 7.0 feet with a lamp head angle of 45 degrees. Cooper Lighting assumes no responsibility for local requirements or specific project variables. This is a guideline to be used as a design aid, not as guarantee of any code compliance.

Free Manuals Download Website

<http://myh66.com>

<http://usermanuals.us>

<http://www.somanuals.com>

<http://www.4manuals.cc>

<http://www.manual-lib.com>

<http://www.404manual.com>

<http://www.luxmanual.com>

<http://aubethermostatmanual.com>

Golf course search by state

<http://golfingnear.com>

Email search by domain

<http://emailbydomain.com>

Auto manuals search

<http://auto.somanuals.com>

TV manuals search

<http://tv.somanuals.com>