

DESCRIPTION

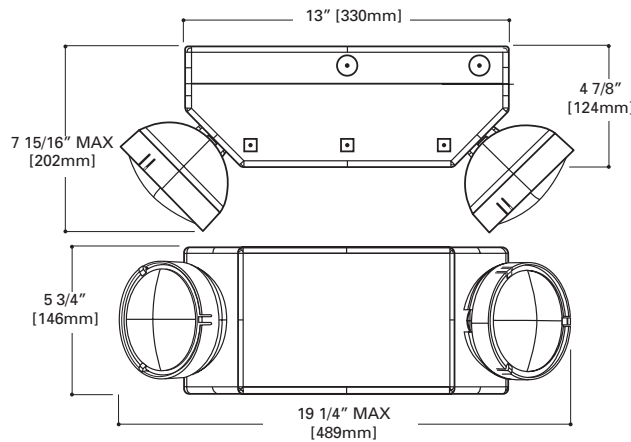
The CC7 Contractor's Choice FasTest™ High Capacity Emergency Lighting Units are an affordable, yet attractive, alternative to standard white two-headed emergency lighting units. All components snap together to facilitate installation in 5 minutes or less. Field versatility is not sacrificed for cost, both lighting heads offer full horizontal and vertical adjustability. Moreover, proper operation of the transfer circuit and emergency lamps can be quickly and safely verified by using a convenient laser pointer (sold as an accessory). In addition, Watchguard EMS self diagnostic system is standard (CC7NCSD only).

The CC7 FasTest™ is ideal for applications that demand the minimum cost but also require maximum flexibility, reliability and convenience in an attractive unit.



Verify proper operation of the transfer circuit and emergency lamps with convenient laser pointer (sold as an accessory).

DIMENSIONS



Self-Diagnostics

The self-diagnostic unit will automatically perform all tests required by UL924, and NFPA 101. The system indicates the status of the exit at all times using the LED indicator near the test switch on the side of the unit. A 90 minute battery power (emergency mode) simulation test will occur randomly once every six months.



CC7

Contractor's Choice

EMERGENCY LIGHT

- Dual-Voltage Input 120/277 VAC, 60 Hz
- Injection-Molded, Color-Stable, High-Impact UL 94-5V Rated Polycarbonate Housing and Mounting Plate
- Designer white textured finish
- Maintenance Free Sealed Lead Calcium Battery or Premium Nickel Cadmium battery (CC7NCSD version only)
- Housing Has (8) Locations for Mounting of Heads; Consult Factory (3 optional bottom-mount and 3 optional top-mount locations)
- Knockouts/Cutouts Provided in Housing for Surface Conduit Attachment
- Watchguard EMS self diagnostic system (CC7NCSD only)
- Remote Photocell Test Switch with Automatic 30-Sec. Test Upon Switch Activation
- Line-Latching, Solid-State Voltage Limited Charger, Solid-State Switching, Low-Voltage Disconnect, Brownout Circuit, Overload/Short Circuit Protection, Push-Button Test Switch/Power Indicator Light
- UL 924, Life Safety NFPA 101, CSA Certified, NEC/OSHA, Most State and Local Codes

ELECTRICAL RATINGS

Model	Rated Wattage to 87 1/2% of Rated D.C. Voltage			Lamp Information		
	DC Voltage	1 1/2 Hours	Remote Wattage*	Type	Wattage	Number
CC7	12	60	36	Incandescent	12W ea.	029-132
CC7NCSD	12	50	26	Incandescent	12W ea.	029-132

ORDERING INFORMATION

*See Remote Section Pages 494-499.

SAMPLE NUMBER: CC7208BMTDM

Model Number	Options	Accessories
CC7	(Add as suffix)	(Order separately)
CC7NCSD	SQ =Square Head (12W Standard) MRT =MR16 Heads (12W Standard) A =Ammeter V =Voltmeter SD =Self-Diagnostics (CC7NC Only)	LASER =Key Chain, Red Laser Pointer (activation tested at 50 feet) VS1 =Polycarbonate Vandal Shield VS1WP =Polycarbonate Vandal Shield Weather Resistant WG3 =Wire Guard 2MS =Mounting Shelf (Specify Color)

Energy Data

Model No.	Input Power		Input Current (Max.)		Power Factor		T.H.D.	
	120V	277V	120V	277V	120V	277V	120V	277V
CC7	Charge Mode (Fully Discharged Battery) Sealed Lead Calcium Battery							
	28W	28W	.26A	.11A	>.91	>.91	<35%	<39%
CC7	Standby Mode (Fully Charged Battery) Sealed Lead Calcium Battery							
	3.8W	3.7W	.07A	.03A	>.50	>.50	<94%	<99%
CC7NCSD	Standby Mode							
	7.8W	7.1W	.08A	.04A	>.77	>.77	<53%	<58%

⁽¹⁾Consult your Cooper Lighting Representative.

Free Manuals Download Website

<http://myh66.com>

<http://usermanuals.us>

<http://www.somanuals.com>

<http://www.4manuals.cc>

<http://www.manual-lib.com>

<http://www.404manual.com>

<http://www.luxmanual.com>

<http://aubethermostatmanual.com>

Golf course search by state

<http://golfingnear.com>

Email search by domain

<http://emailbydomain.com>

Auto manuals search

<http://auto.somanuals.com>

TV manuals search

<http://tv.somanuals.com>