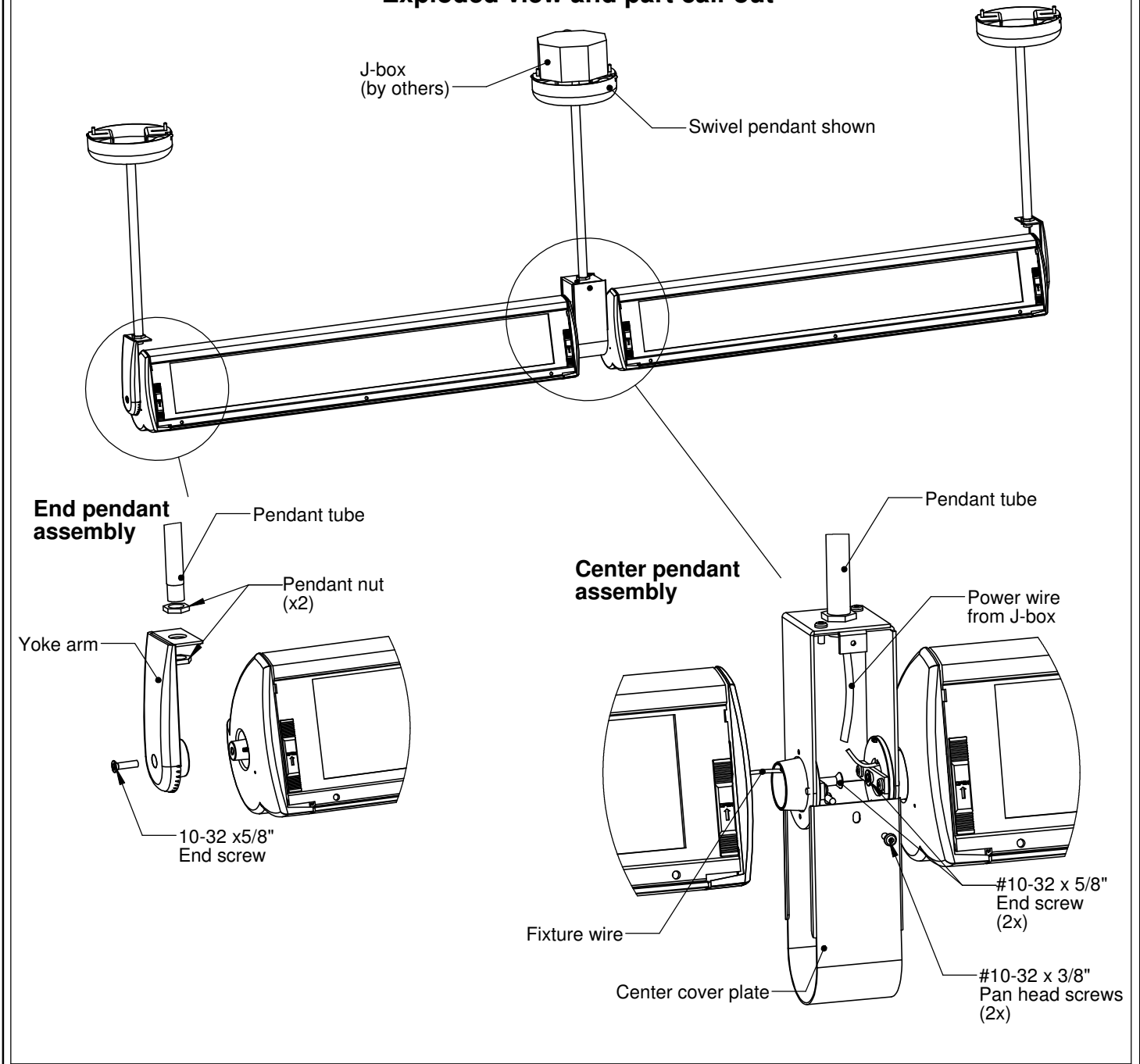


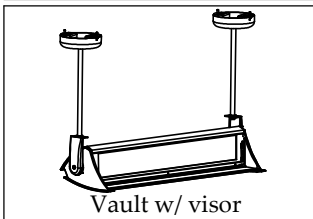
These installation instructions are valid with the above Ametrix styles

**Small, INDOOR  
CPP/CPS  
(Continuous Pendant)  
Visor and Non-Visor**

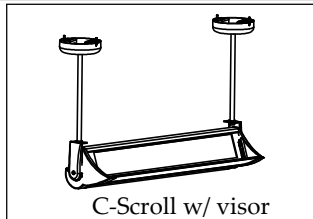
**Warning:** Before starting any work ensure that all sources of power are turned off. All work must meet local/national codes and be performed by a certified electrician. **Do not** mount fixtures vertically.

**Exploded view and part call-out**

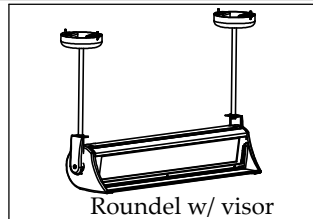




Vault w/ visor



C-Scroll w/ visor



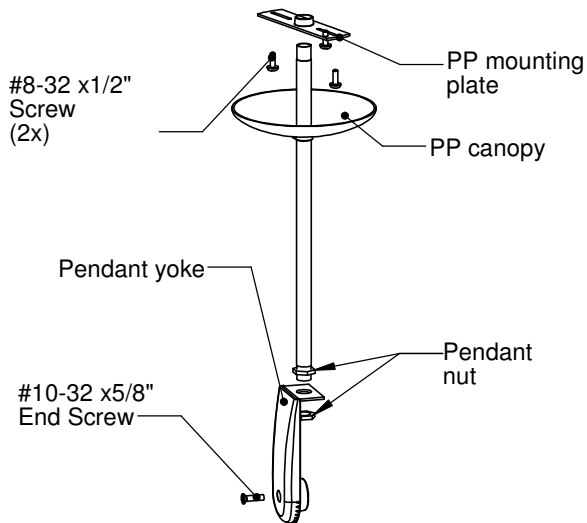
Roundel w/ visor

These installation instructions are valid with the above Ametrix styles.

## Small, INDOOR CPP/CPS (Continuous Pendant) Visor and Non-Visor

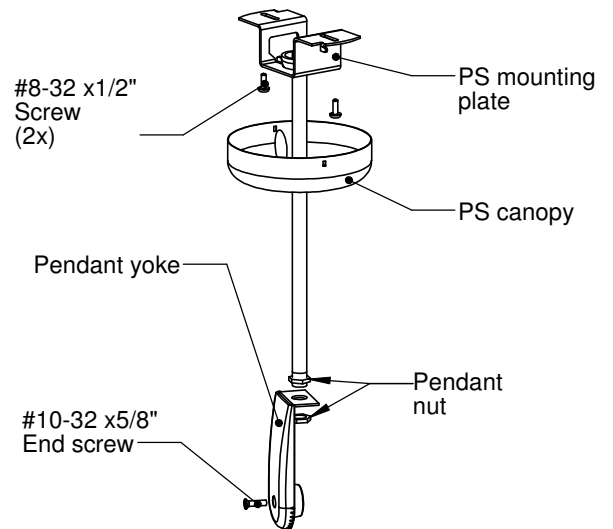
**Warning:** Before starting any work ensure that all sources of power are turned off. All work must meet local/national codes and be performed by a certified electrician. **Do not** mount fixtures vertically.

### PP Exploded assembly



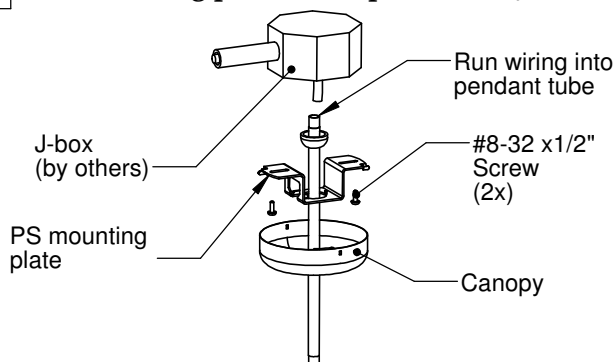
1. Secure pendant yoke to pendant tube using both pendant nuts prior to installation.

### PS Exploded assembly



1. Secure pendant yoke to pendant tube using both pendant nuts prior to installation.

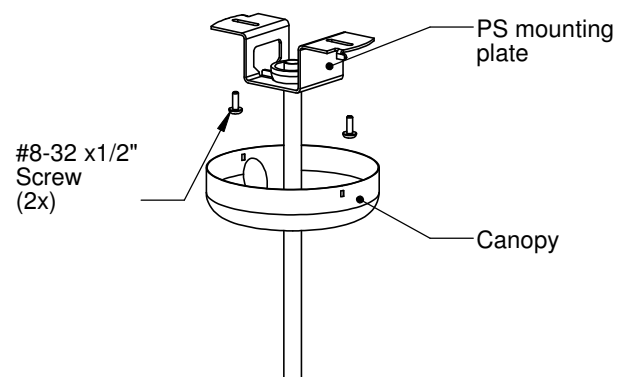
### 1 Mounting power-side pendant to J-box



These instructions are valid for both PP and PS mounting assemblies. Secure both pendant assemblies to ceiling before attaching fixture head.

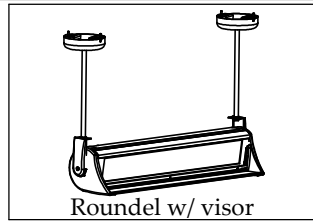
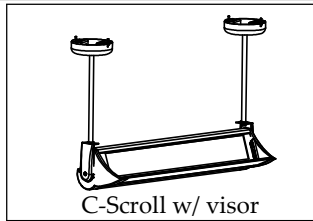
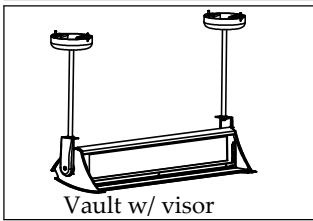
1. Remove canopy and allow it to slide down pendant.
2. Refer to power orientation supplementary sheet for power location.
3. Run wiring from j-box down pendant tube and using #8-32 x1/2" Pan head screws, secure mounting plate to j-box. **Reinforce J-box with additional bracing.**

### 2 Mounting non power side pendant



These instructions are valid for both PP and PS mounting assemblies

1. To secure non-power pendant, remove canopy and allow it to slide down pendant.
2. Replace #8 Pan head screws with appropriate fasteners (by others) Use additional bracing to secure pendant.
3. Secure mounting plate on center using dimensions provided on next page.

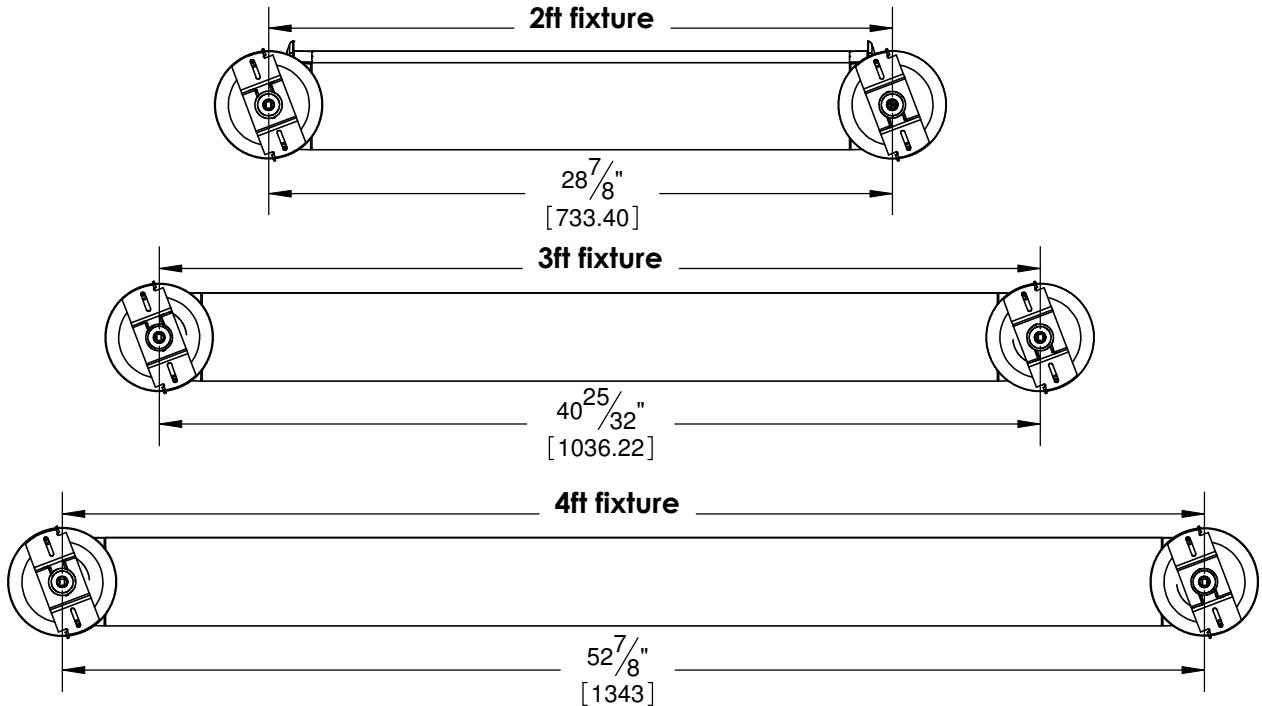


These installation instructions are valid with the above Ametrix styles

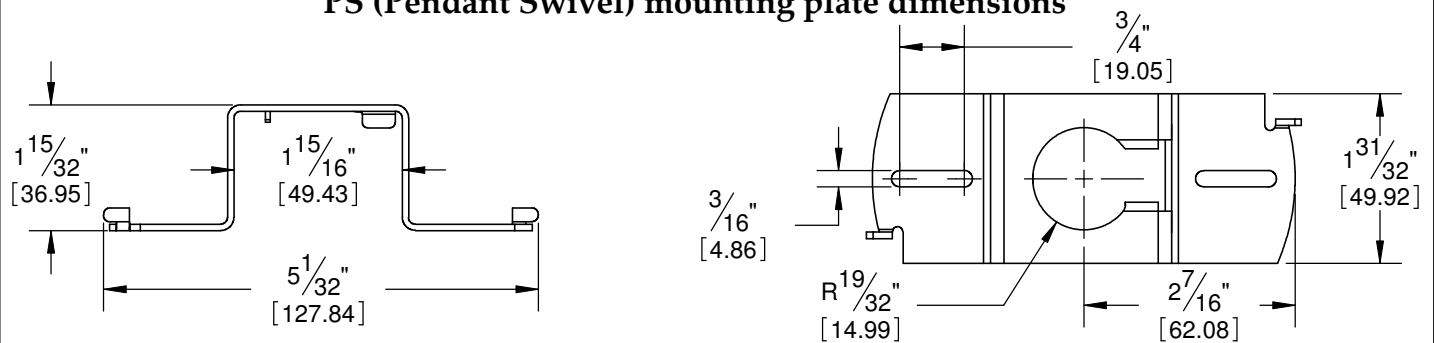
**Small, INDOOR  
CPP/CPS**  
(Continuous Pendant)  
**Visor and Non-Visor**

**Warning:** Before starting any work ensure that all sources of power are turned off. All work must meet local/national codes and be performed by a certified electrician. **Do not** mount fixtures vertically.

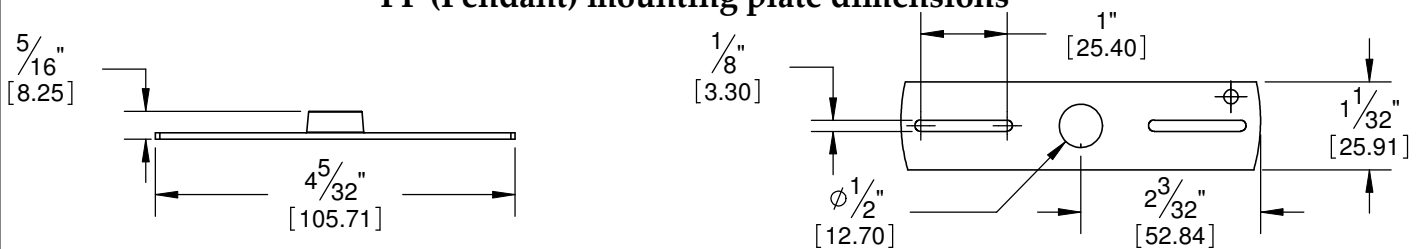
**Center dimensions for PP and PS mounting assemblies**

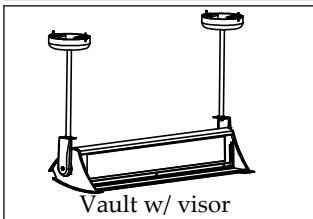


**PS (Pendant Swivel) mounting plate dimensions**

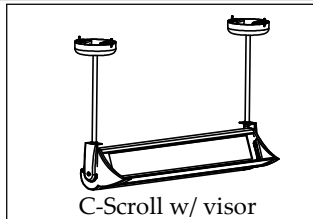


**PP (Pendant) mounting plate dimensions**

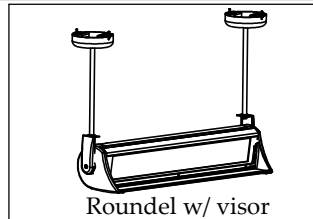




Vault w/ visor



C-Scroll w/ visor



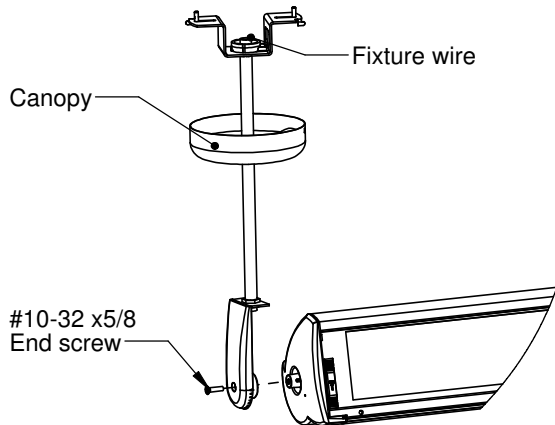
Roundel w/ visor

These installation instructions are valid with the above Ametrix styles.

## Small, INDOOR CPP/CPS (Continuous Pendant) Visor and Non-Visor

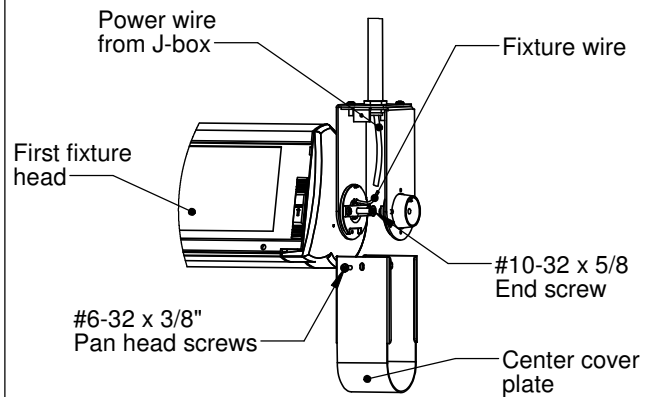
**Warning:** Before starting any work ensure that all sources of power are turned off. All work must meet local/national codes and be performed by a certified electrician. **Do not** mount fixtures vertically.

### 3 Securing first fixture to first pendant



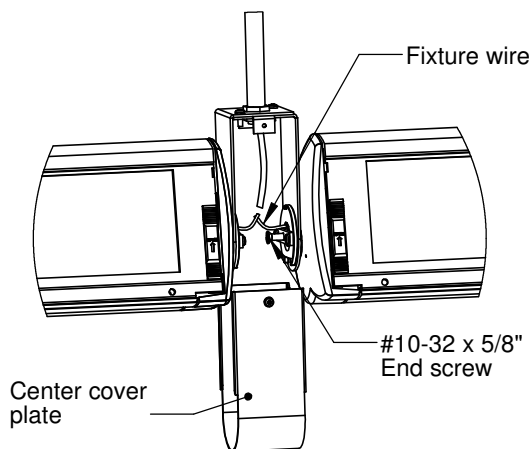
1. Choose first fixture in run. First fixture depends on length of run, refer to page four(4) for fixture identification. The final fixture will have to have the extra wire capped off.
2. Secure fixture head to pendant assembly using #10-32x 5/8" end screw.

### 4 Securing first fixture to wired center yoke bracket



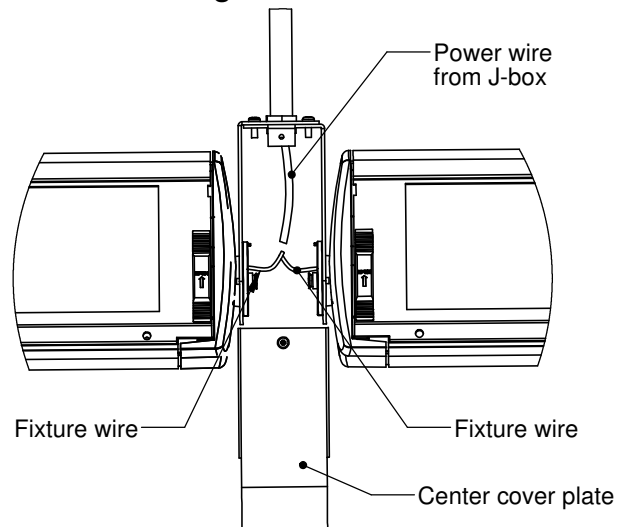
1. Remove both #6-32 x 3/8" Pan head screws and slide center cover plate down.
2. Run power wire from fixture through hub and into center yoke bracket.
3. Secure first fixture to center yoke bracket using #10-32 x 5/8" end screw.

### 5 Securing additional fixtures in run

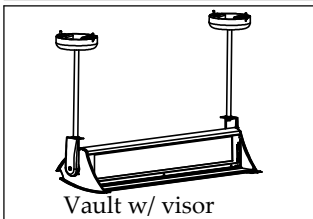


1. Mount next center or end pendant depending on length of run.
2. Run new fixture wire into center yoke bracket.
3. Using #10-32 x 5/8" end screws, secure new fixture head to both pendants.

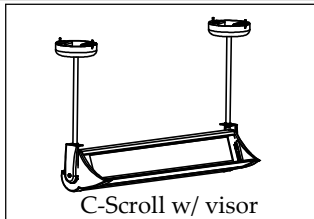
### 6 Wiring fixtures to J-box



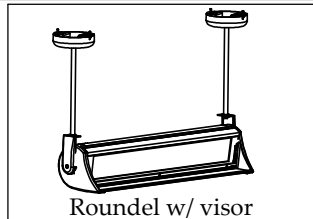
1. Attach wires and ensure connections are properly matched. (wire nuts by others)
2. Replace center cover plate and secure using both #6-32 x 3/8" Pan head screws.



Vault w/ visor



C-Scroll w/ visor



Roundel w/ visor

These installation instructions are valid with the above Ametrix styles

**Small, INDOOR  
CPP/CPS  
(Continuous Pendant)  
Visor and Non-Visor**

**Warning:** Before starting any work ensure that all sources of power are turned off. All work must meet local/national codes and be performed by a certified electrician. **Do not** mount fixtures vertically.

**Continuous Pendant Row Layouts**

Nominal Row Length (ft)	Actual Overall Row Length: Pendant (ft)	Row Breakdown/ Installation Sequence
3	2.6	2C
4	3.6	3C
5	4.6	4C
6	5.1	2C,2C
7	6.1	2C,3C
8	7.1	3C,3C
9	8.1	3C,4C
10	9.1	4C,4C
11	10.7	3C,3C,3C
12	11.7	4C,2C,4C
13	12.7	4C,3C,4C
14	13.7	4C,4C,4C
15	14.2	3C,3C,3C,3C
16	15.2	3C,3C,3C,4C
17	16.2	3C,4C,4C,3C
18	17.2	4C,4C,4C,3C
19	18.2	4C,4C,4C,4C
20	19.8	4C,3C,3C,3C,4C
21	20.8	3C,4C,4C,4C,3C
22	21.8	4C,4C,3C,4C,4C
23	21.8	4C,4C,3C,4C,4C
24	23.4	2C,4C,4C,4C,4C,2C
25	23.4	2C,4C,4C,4C,4C,2C
26	25.4	3C,4C,4C,4C,4C,3C

Nominal Row Length (ft)	Actual Overall Row Length: Pendant (ft)	Row Breakdown/ Installation Sequence
27	25.4	3C,4C,4C,4C,4C,3C
28	27.4	4C,4C,4C,4C,4C,4C
29	28.9	4C,4C,3C,3C,3C,4C,4C
30	29.9	3C,4C,4C,4C,4C,4C,3C
31	30.9	4C,4C,4C,3C,4C,4C,4C
32	31.9	4C,4C,4C,4C,4C,4C,4C
33	31.9	4C,4C,4C,4C,4C,4C,4C
34	32.5	2C,4C,4C,4C,4C,4C,4C,2C
35	34.5	3C,4C,4C,4C,4C,4C,4C,3C
36	35.5	4C,4C,4C,4C,3C,4C,4C,4C
37	36.5	4C,4C,4C,4C,4C,4C,4C,4C
38	38.0	4C,4C,4C,3C,3C,3C,4C,4C,4C
39	39.0	3C,4C,4C,4C,4C,4C,4C,4C,3C
40	39.0	3C,4C,4C,4C,4C,4C,4C,4C,3C
41	40.0	4C,4C,4C,4C,3C,4C,4C,4C,4C
42	41.0	4C,4C,4C,4C,4C,4C,4C,4C,4C
43	42.6	4C,4C,4C,4C,3C,3C,3C,4C,4C,4C
44	43.6	3C,4C,4C,4C,4C,4C,4C,4C,4C,3C
45	44.6	4C,4C,4C,4C,4C,3C,4C,4C,4C
46	45.6	4C,4C,4C,4C,4C,4C,4C,4C,4C,4C
47	46.1	3C,3C,4C,4C,4C,4C,4C,4C,4C,3C,3C
48	47.1	4C,4C,4C,4C,3C,3C,3C,4C,4C,4C,4C
49	48.1	3C,4C,4C,4C,4C,4C,4C,4C,4C,4C,3C
50	49.1	4C,4C,4C,4C,4C,3C,4C,4C,4C,4C,4C

(Custom row configurations are available however pricing may be affected)

## Free Manuals Download Website

<http://myh66.com>

<http://usermanuals.us>

<http://www.somanuals.com>

<http://www.4manuals.cc>

<http://www.manual-lib.com>

<http://www.404manual.com>

<http://www.luxmanual.com>

<http://aubethermostatmanual.com>

Golf course search by state

<http://golfingnear.com>

Email search by domain

<http://emailbydomain.com>

Auto manuals search

<http://auto.somanuals.com>

TV manuals search

<http://tv.somanuals.com>