

Construction: Extruded aluminum housing. Nominal 3', 4', 6' or 8' illuminated sections.

End Caps: Die-cast aluminum.

Shielding: Clear ribbed acrylic lens or contoured baffle.

Electrical: 120, 277, 347 or Universal Voltage electronic ballast. Fixtures and electrical components certified to UL and CUL standards.

Finish: Durable, low gloss, white, powder coated acrylic finish.

Mounting: Pendant with single stem (standard) or single cable. Canopy: Round 5" diameter.

ORDERING INFORMATION:

Sample number: 6-DIP-1T8-SC40-1EB-SI-EM-S14

Series
6=Cirque

Light Output
DIP=Direct-Indirect Pendant

Number of Lamps (per cross section) (not included)
1=1 Lamp 1x1=2 Lamps 1x2=3 Lamps

Lamp Type
T8 T5 T5HO

Pendant Type
ST=Single Stem² SC=Single Cable

Run Length
Overall Nominal Run Length__ft. (Any combination of 8', 6', 4' and 3' sections)

Voltage¹
1=120V 2=277V 3=347V U=Universal

Ballast
EB=Electronic Ballast (Standard) DB=Dimming Ballast

Switching
SI=Single Switching DU=Dual Switching

Emergency
EM=Emergency Pack (Consult Factory)

Fusing
GLR GMF

Shielding
S14=Contoured Baffle S26=Clear Ribbed Acrylic Lens

¹ Due to various constraints, some options may not be combined with others.
² Available with 7° or earthquake 45° swivel canopy assembly.

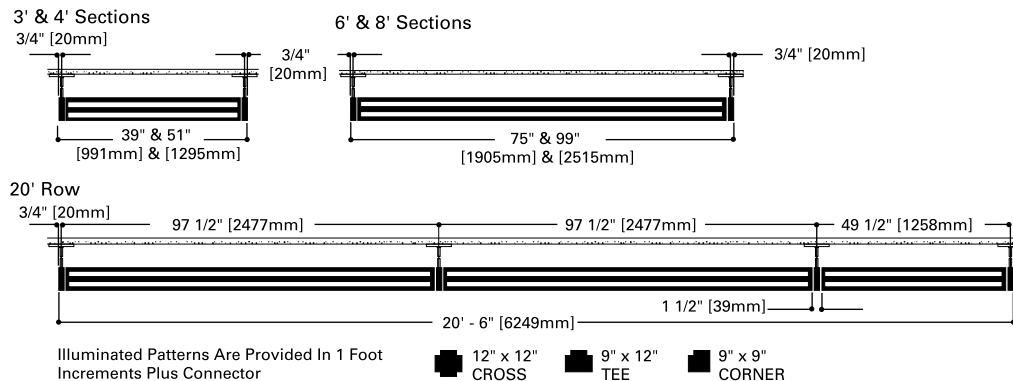


CIRQUE 6-DIP

DIRECT-INDIRECT

- Direct-indirect light distribution.
- Extruded aluminum housing.
- Nominal 3', 4', 6' and 8' illuminated sections.
- Runs to any length.
- Diffusers – radial baffle and/or acrylic ribbed lens
- Die cast end caps.
- Custom finishes available by special order.

ROW CONFIGURATION



Illuminated Patterns Are Provided In 1 Foot Increments Plus Connector

- 12" x 12" CROSS
- 9" x 12" TEE
- 9" x 9" CORNER

NOTES: For complete product data, refer to the Neo-Ray Specification Binder. Specifications and dimensions subject to change without notice. Products may be modified for use in international markets. Please contact your Cooper Lighting Sales Representative for availability and ordering information.

Free Manuals Download Website

<http://myh66.com>

<http://usermanuals.us>

<http://www.somanuals.com>

<http://www.4manuals.cc>

<http://www.manual-lib.com>

<http://www.404manual.com>

<http://www.luxmanual.com>

<http://aubethermostatmanual.com>

Golf course search by state

<http://golfingnear.com>

Email search by domain

<http://emailbydomain.com>

Auto manuals search

<http://auto.somanuals.com>

TV manuals search

<http://tv.somanuals.com>