

COOPER LIGHTING - SURE-LITES®

-49°F to +140°F



UX SERIES

**Ultimate Exit
AC Only
Self-Powered**

EXIT LIGHTING

- NEMA 4X Listed
- Operating temperature -45°C (-49°F) to 60°C (+140°F)
- Dual voltage input 120/277 VAC, 60Hz Isolation Transformer
- Die Cast aluminum housing
- Powder coat finish
- LED Lamping
- Exit can be universally mounted ceiling, wall or end
- Universal pattern knockouts on rear of single face housing for direct mounting to junction box
- Pendant Mount
- Watchguard EMS Self-diagnostic system
- Laser Testing
- Premium Nickel Cadmium batteries
- T6 HAZ lamp rating
- IP66, Ingress Protection from IEC (International Electrical Commission)
- UL844, Hazardous Locations (Class 1, Division 2, Groups A, B, C, D) with "HAZ" option
- UL FTBR Listed when specified with the "2C" option
- Suitable for Floor Proximity Installation, UL Listed, ADA (American Disabilities Act)
- NSF National Sanitation Foundation / Splash Zone (for Food Processing)
- Cleanrooms Class 10,000
- UL 924, UL 924 Wet Location (Suitable for wet and damp locations), NEC/OSHA, Life Safety NFPA 101, Meets most state and local codes
- Patents Pending



SPLASH ZONE

DESCRIPTION

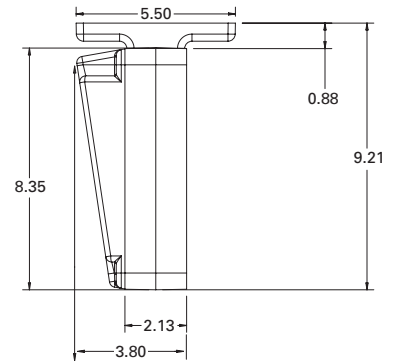
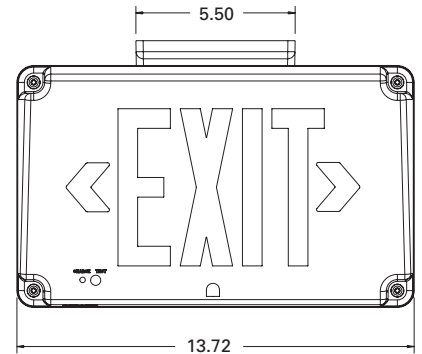
The Sure-Lites UX NEMA 4X Exit combines the strength and durability of die cast aluminum with architecturally pleasing aesthetics. Designed for the most severe environments, the UX exit will provide maximum performance against rain, moisture, cold, corrosives and dust. Universal configurations (single and double face) and universal mounting provide the ease of one product specifying for any job. Additional designed-in features such as LED technology provide the customer with a long life, low maintenance, dependable exit sign in those conditions when reliability is crucial. The injection molded, clear, polycarbonate shield not only provides protection against moisture and rain, but vandalism as well. (4) Torx® head tamperproof screws with center-pin reject provide additional vandal-proof security. The unique design and features make the UX Exit compatible in food processing facilities, outdoor parking garages, walk-in freezers and other indoor/outdoor severe environments. The UX Exit is approved for ambient environments rated from -45°C (-49°F) up to +60°C (+140°F).

Self-Diagnostics

The self-diagnostic unit will automatically perform all tests required by UL924 and NFPA 101. The system indicates the status of the unit at all times using the LED indicator near the test switch on the side of the unit. A 90 minute battery power (emergency mode) simulation test will occur randomly once every six months. A 30 second battery power simulation test will occur every 30 days.

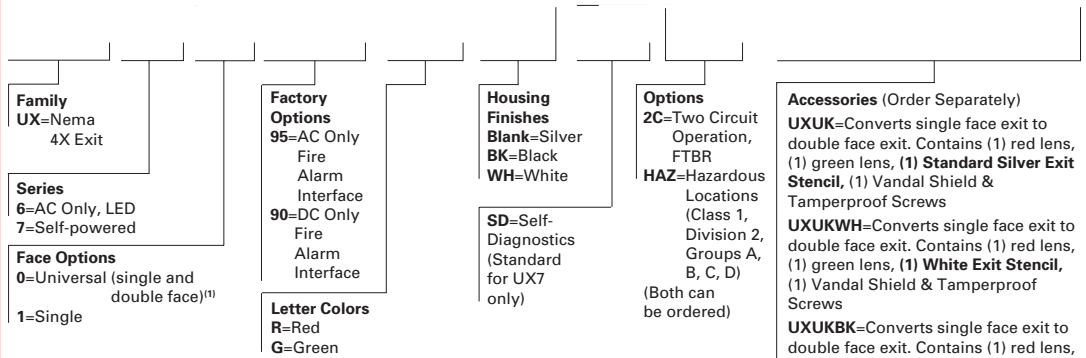


DIMENSIONS



ORDERING INFORMATION

SAMPLE NUMBER: UX61R



Energy Data — AC Only Exits

	Input Power:		Input Current (Max.):		Power Factor:		T.H.D.:	
	120V	277V	120V	277V	120V	277V	120V	277V
LED Exits								
LED Exits -Red Letters	2.7W	3.2W	.07A	.04A	> .30	> .39	< 56%	< 69%
LED Exits -Green Letters	2.3W	3.0W	.08A	.03A	> .26	> .36	< 54%	< 67%

(1) Contains one single face exit and one UXUK.

Free Manuals Download Website

<http://myh66.com>

<http://usermanuals.us>

<http://www.somanuals.com>

<http://www.4manuals.cc>

<http://www.manual-lib.com>

<http://www.404manual.com>

<http://www.luxmanual.com>

<http://aubethermostatmanual.com>

Golf course search by state

<http://golfingnear.com>

Email search by domain

<http://emailbydomain.com>

Auto manuals search

<http://auto.somanuals.com>

TV manuals search

<http://tv.somanuals.com>