



# INSTALLATION INSTRUCTIONS V90163

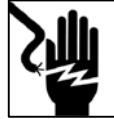
## CONTINUOUS CHANNEL SERIES

### Model: Truly Trimless Adjustable Downlight



### Avoid Fire or Electric Shock

- \*Installation Instructions for qualified electricians only.
- \*Install per National Electrical Code and local regulations.
- \*Read Installation Instructions completely before installation.
- \*Failure to follow Installation Instructions may void warranties.



### Housing Connection

NOTE: Housing Sections MUST be connected per Alpha-numeric coded labels for best fit.

#### 2 SECTIONS:

1. Align Left Section with Right Section per alpha-numeric code. See Fig. 2.
2. Align Connector Bar and Mating Section Holes. See Fig. 3.
3. Secure Sections together using #10 Flathead Screws at Connector Bars on each side of Sections.

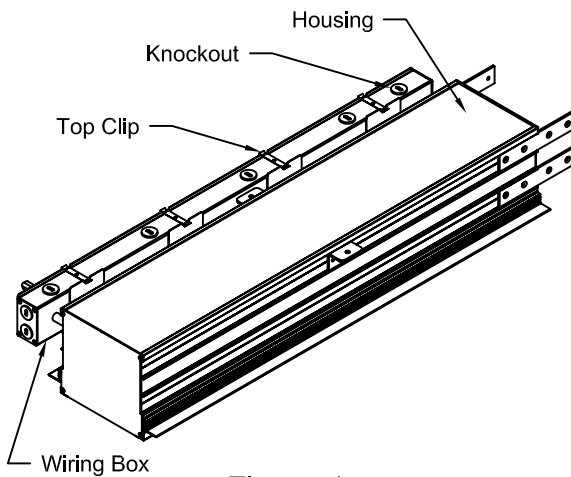


Figure 1

(Single Left Hand Section Shown)

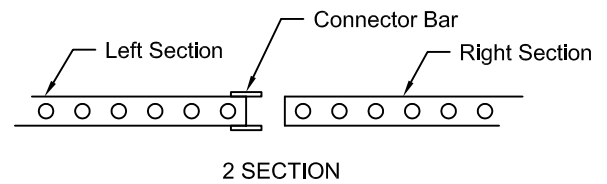
### Housing Connection (Con't)

#### 3 SECTIONS:

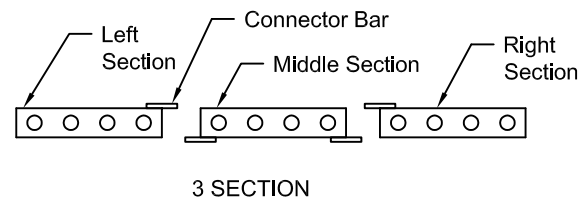
4. Locate Right, Left and Middle Sections by alpha-numeric code.
5. Align Right Section, Left Section, and Middle Section. See Fig. 2.
6. Align Connector Bar and Mating Section Holes. See Fig. 3.

NOTE: Connector Bars may be staggered to insure alignment with correct mating Section.

7. Secure Sections together using #10 Flathead Screws at Connector Bars on each side of Sections.



2 SECTION



3 SECTION

Figure 2

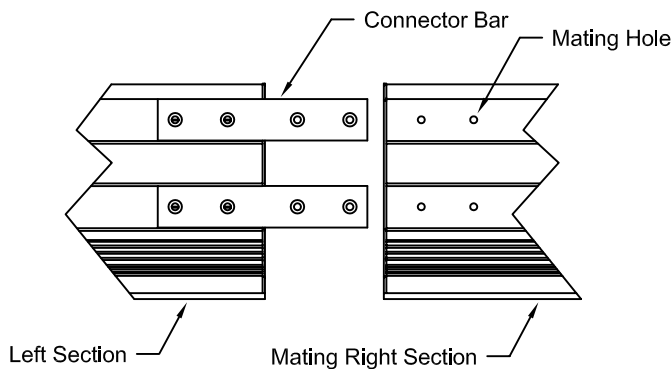


Figure 3

### Fixture Mounting

1. Hang Housing(s) from Hanger Brackets located on sides of Fixture(s) using 1/4-20 Screw. See Fig. 1 and Fig. 3.
2. Adjust elevation of Housing so that Adjustable Extrusion Frame (set to 5/8" thickness at factory) will sit on top of installed Drywall and bottom of Housing walls match bottom of Drywall surface. See Fig. 4.
3. Install Drywall to edge of Housing. See Fig. 4.



# INSTALLATION INSTRUCTIONS V90163

## CONTINUOUS CHANNEL SERIES

### Model: Truly Trimless Adjustable Downlight



## Fixture Mounting (Con't)

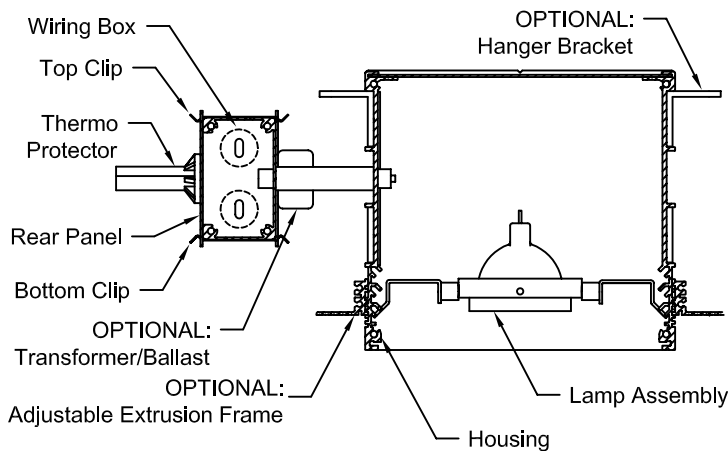


Figure 3

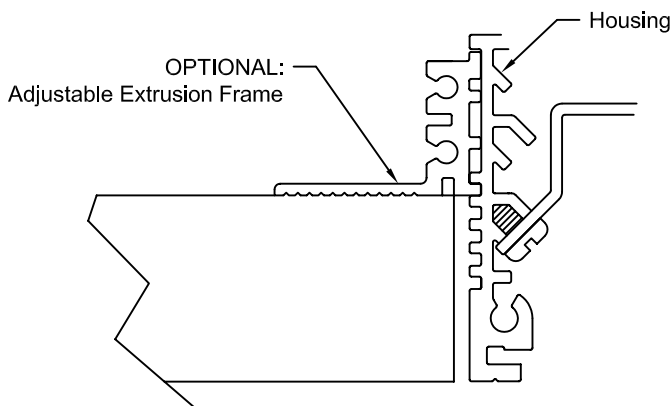


Figure 4

## Transformer Access

1. Locate Transformer Access Door behind each Lamp Assembly. See Fig. 5.
2. Remove Lamp Gimbals as necessary to reach Transformer Access Door.
3. Remove Two (2) Knurled Knobs at each side of Access Door.
4. Remove Transformer Access Door to access Transformer mounted to outside of Wiring Box.

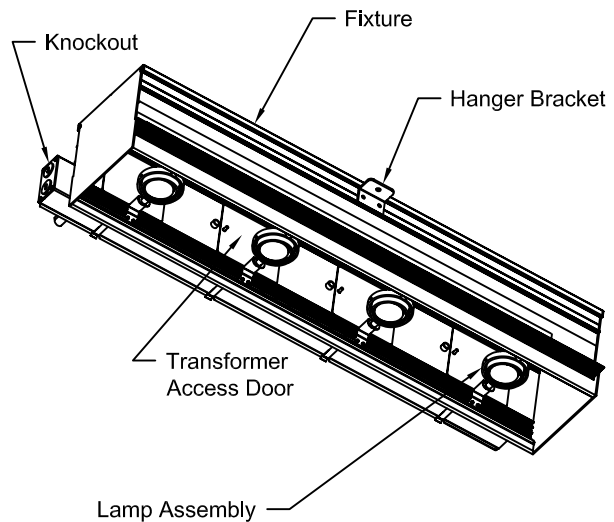


Figure 5

## Electrical Wiring

1. Turn OFF Electrical Service.
2. Connect Wiring Box to Electrical Service using Knockouts located at each end of Wiring Box and Knockout along top of Wiring Box as needed. See Fig. 1.
3. To remove Rear Access Panel(s) for inspection, lift Clips at Top and Bottom of Wiring Box. See Fig. 1 & Fig. 3.

## Free Manuals Download Website

<http://myh66.com>

<http://usermanuals.us>

<http://www.somanuals.com>

<http://www.4manuals.cc>

<http://www.manual-lib.com>

<http://www.404manual.com>

<http://www.luxmanual.com>

<http://aubethermostatmanual.com>

Golf course search by state

<http://golfingnear.com>

Email search by domain

<http://emailbydomain.com>

Auto manuals search

<http://auto.somanuals.com>

TV manuals search

<http://tv.somanuals.com>