

# INSTALLATION INSTRUCTIONS

## V90229-1T

# RSA COMBOLIGHT TRIMMED

Page 1 of 3

Avoid Fire or Electric Shock



- \*Installation Instructions for qualified electricians only.
- \*Install per National Electrical Code and local regulations.
- \*Read Installation Instructions completely before installation.
- \*Failure to follow Installation Instructions may void warranties.



THIS PRODUCT MUST BE INSTALLED IN ACCORDANCE WITH THE APPLICABLE INSTALLATION CODE BY A PERSON FAMILIAR WITH THE CONSTRUCTION AND OPERATION OF THE PRODUCT AND THE HAZARDS INVOLVED.

### FIXTURE MOUNTING:

1. Fixture must be mounted using either BUTTERFLY MOUNTING BRACKETS or HANGER BARS (Contact RSA Dealer for HANGER BARS).

### INSTALLATION NOTE:

DO NOT install insulation within 3in of any part of the Luminaire. Blinking light of this thermally protected Luminaire may indicate overheating.

### BUTTERFLY MOUNTING:

2. Fixture comes equipped with universal BUTTERFLY MOUNTING BRACKETS that can take common 1" or 1-1/2" black iron or galvanized MOUNTING CHANNELS (supplied by others). See Fig 1.
3. Position fixture so the MOUNTING CHANNELS lie on top of the ceiling runners.
4. Fasten MOUNTING CHANNELS securely to ceiling runners.
5. Secure MOUNTING CHANNELS to universal BUTTERFLY MOUNTING BRACKETS with wire tie downs.
6. The BUTTERFLY MOUNTING BRACKETS are height-adjustable and should be set so that the APERTURE COLLAR will be flush with the finished ceiling plane.

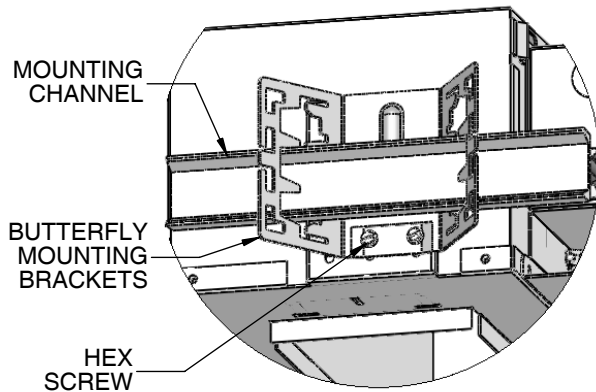


Figure 1

### ELECTRICAL:

7. Remove the JBOX COVER from the JBOX by removing the four SCREWS. Connect supply lead wires to junction box lead wires in accordance with your local electrical code(s) or N.E.C. Replace JBOX COVER onto JBOX, securing with SCREWS. See Fig 2.

### CEILING MATERIAL INSTALLATION:

8. Pull the TRIM away from the HOUSING. The TORSION SPRINGS will hold the TRIM onto the HOUSING. Compress the TORSION SPRINGS on each end of the TRIM, releasing the TRIM from the HOUSING. See Fig 3.

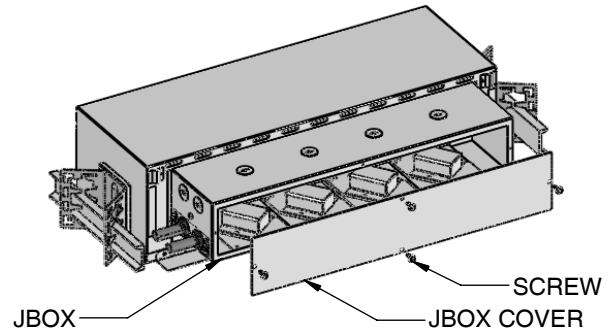


Figure 2

9. A clean, square hole in the CEILING MATERIAL must be cut. Install the ceiling material below housing as seen in Fig 4.
10. Replace the TRIM into the HOUSING by connecting the TORSION SPRINGS to the HOUSING. Push the TRIM into the HOUSING until flush with the CEILING MATERIAL as seen in Fig 4.

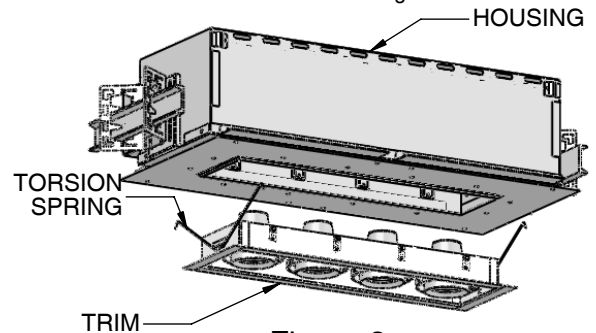


Figure 3

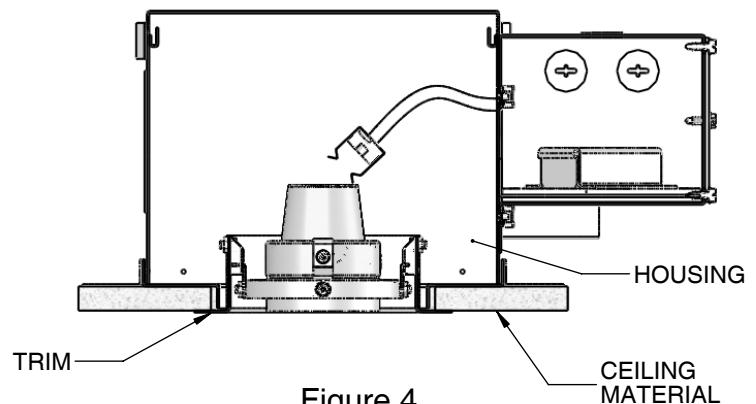


Figure 4

RSA  
7945 Orion Ave.  
Van Nuys, CA 91406  
P: 818-349-3030  
www.rsalighting.com

Cooper Lighting  
1121 Highway 74 South  
Peachtree City, GA 30269  
P: 770-486-4800  
www.cooperlighting.com

# INSTALLATION INSTRUCTIONS

V90229-2

# RSA COMBOLIGHT LAMPHOLDER

Page 2 of 3

Avoid Fire or Electric Shock



- \*Installation Instructions for qualified electricians only.
- \*Install per National Electrical Code and local regulations.
- \*Read Installation Instructions completely before installation.
- \*Failure to follow Installation Instructions may void warranties.



THIS PRODUCT MUST BE INSTALLED IN ACCORDANCE WITH THE APPLICABLE INSTALLATION CODE BY A PERSON FAMILIAR WITH THE CONSTRUCTION AND OPERATION OF THE PRODUCT AND THE HAZARDS INVOLVED.

- 11. Lamp installation:**  
To install LAMP, remove the COVER RING by pushing straight back on the COVER RING and then turning it *counter-clockwise* to release. See Fig. 5.
- Once removed, insert the properly-specified LAMP into the BACK RING, ensure that the LAMP is the correct LAMP for the SOCKET or damage to the fixture or lamp may occur. The LAMP will seat into the COIL SPRING when installed properly. While holding the LAMP in place, grab the SOCKET ASSY and plug or screw the LAMP firmly into it. See Fig. 6.

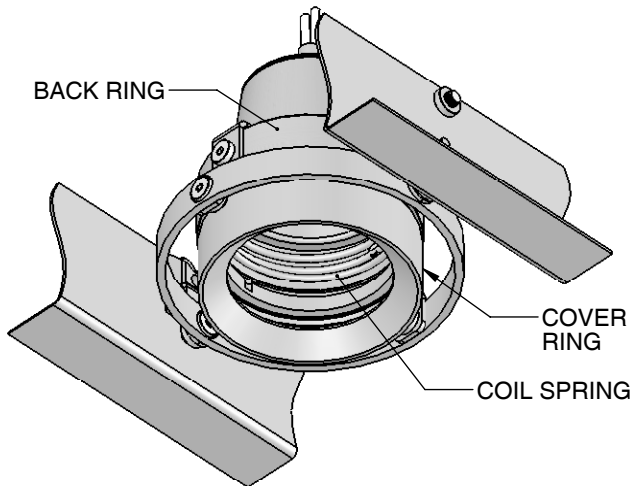


Figure 5

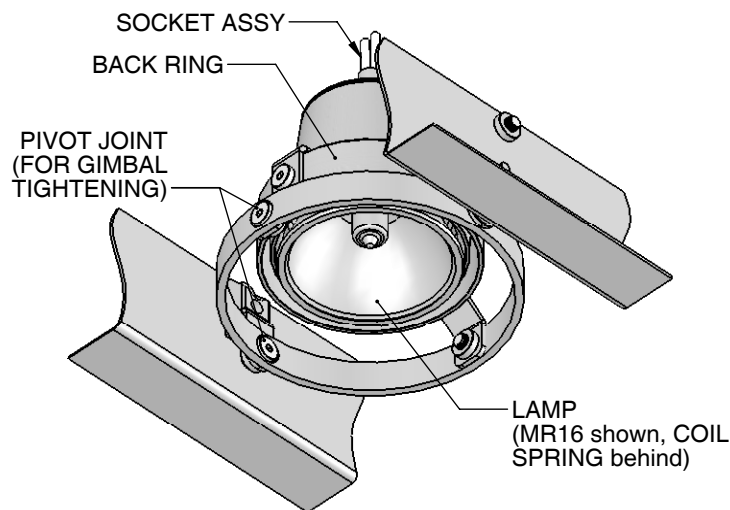


Figure 6  
(Cover Ring Removed)

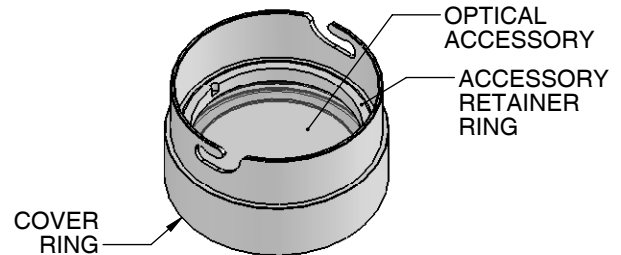


Figure 7

- 13. Optical Accessory:** (skip to Step 21 if not using optical accessories)  
To install OPTICAL ACCESSORY pieces, remove the ACCESSORY RETAINER RING by unthreading until it is completely removed from the COVER RING.
- Install desired OPTICAL ACCESSORY pieces into the COVER RING and re-thread the ACCESSORY RETAINER RING firmly. See Fig. 7.
  - \*The COVER RING can accommodate three (3) accessories without the ACCESSORY RETAINER RING or two (2) pieces with it.
  - \*The ACCESSORY RETAINER RING may be used to lock the accessory. For example, a linear spread lens or cross baffle can be locked in-place into a desired orientation.
  - \*Please note that not all accessories are compatible with each other and with all lamps.

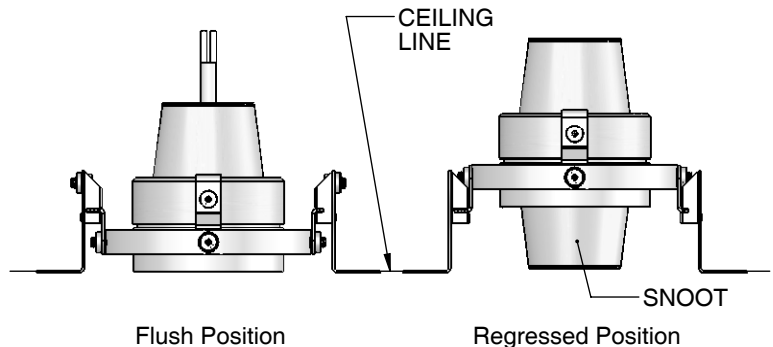


Figure 8

- 15. Regressed Lamp Ring/Snoot:** (skip to Step 19 if not regressing the lamp)  
The lamp ring may be installed in a regressed position only if a SNOOT accessory is being used. See Fig. 8. If necessary, please see step 13 for instructions on SNOOT installation. To accomplish the regressed lamp ring position set the COVER RING aside. Remove the lamp ring assy by loosening the two (2) SET SCREWS in the GIMBAL BLOCKS.
- Once loosened the lamp ring assy can be removed by grasping the GIMBAL RING and turning *clockwise* until it releases from the GIMBAL BLOCKS.

RSA  
7945 Orion Ave.  
Van Nuys, CA 91406  
P: 818-349-3030  
www.rsalighting.com

Cooper Lighting  
1121 Highway 74 South  
Peachtree City, GA 30269  
P: 770-486-4800  
www.cooperlighting.com

Printed in USA

**COOPER** Lighting

# INSTALLATION INSTRUCTIONS

V90229-3

Avoid Fire or Electric Shock



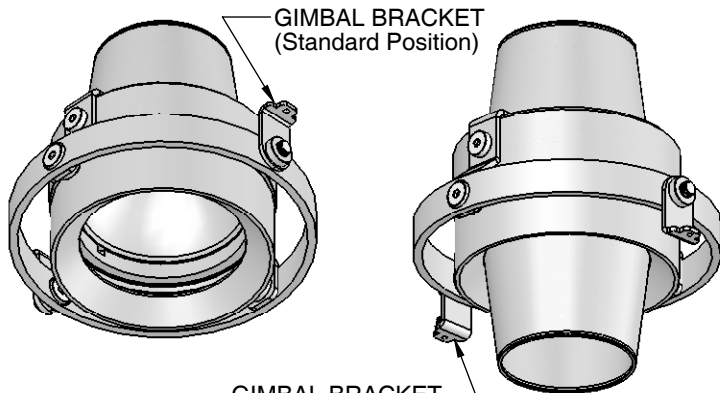
# RSA COMBOLIGHT LAMPHOLDER

Page 3 of 3

- \*Installation Instructions for qualified electricians only.
- \*Install per National Electrical Code and local regulations.
- \*Read Installation Instructions completely before installation.
- \*Failure to follow Installation Instructions may void warranties.



THIS PRODUCT MUST BE INSTALLED IN ACCORDANCE WITH THE APPLICABLE INSTALLATION CODE BY A PERSON FAMILIAR WITH THE CONSTRUCTION AND OPERATION OF THE PRODUCT AND THE HAZARDS INVOLVED.



GIMBAL BRACKET (Rotated 180° to "Down" Position)

Figure 9

17. Once removed, flip the two (2) GIMBAL BRACKETs around (180°) and tighten the joint if necessary. See Fig. 9. If necessary, please see Step 21 for gimbal tightening instructions.
18. Reinsert the lamp ring assembly by turning it *counter-clockwise* into the SLOTS on the GIMBAL BLOCKS. Re-tighten the two (2) SET SCREWS in the GIMBAL BLOCKS. The lamp ring assy should now be oriented in the "up position". See Fig. 10.

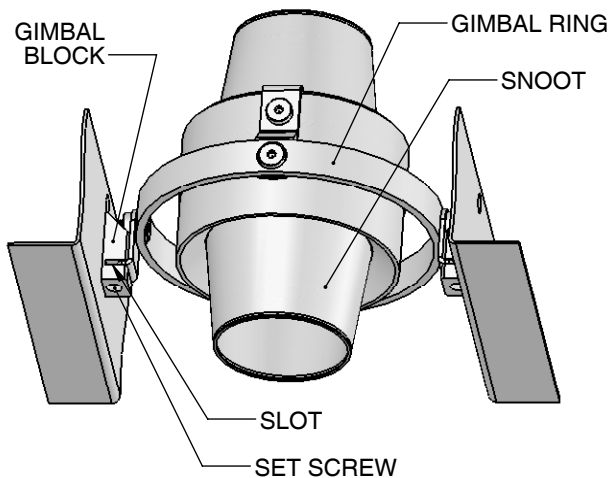


Figure 10

19. To replace the COVER RING:  
Push the COVER RING onto the BACK RING by lining up the BAYONET SLOTS (see Fig. 11) with the two (2) PINS in the BACK RING.

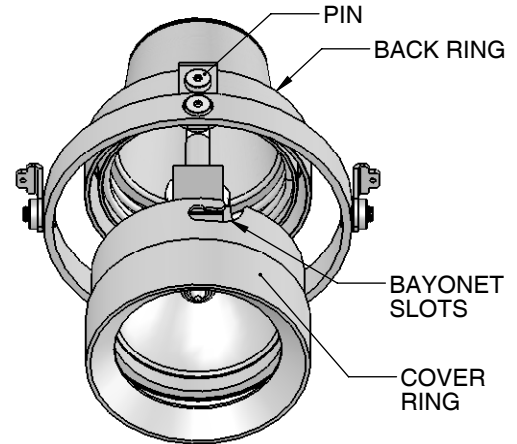


Figure 11

20. Once lined up, push straight back until the COVER RING stops, then while keeping the COVER RING pushed back, turn *clockwise* until it pushes forward again slightly. See Fig. 12.

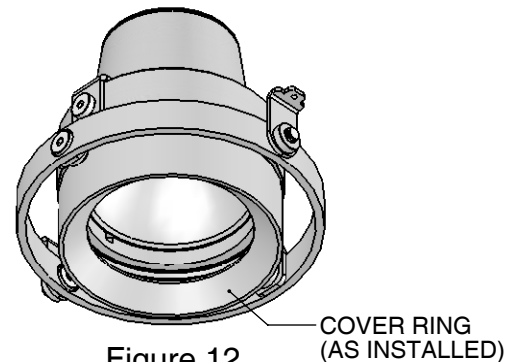


Figure 12

21. Gimbal tightening instructions:  
The lamp ring is intended to give positive tension at the PIVOT JOINTS so the lamp ring can be aimed by hand and held in place by tension.  
\*If a stronger, more secure lock is required then the PIVOT JOINTS (hex screws) may be tightened *clockwise* with a hex wrench tool. See Fig. 6.  
\*Please note that in some conditions the COVER RING will need to be removed to gain access to the inner PIVOT JOINTS.

RSA  
7945 Orion Ave.  
Van Nuys, CA 91406  
P: 818-349-8050  
www.rsalighting.com

Cooper Lighting  
1121 Highway 74 South  
Peachtree City, GA 30205  
P: 770-486-4600  
www.cooperlighting.com

Printed in USA

Download from Www.Somanuals.com. All Manuals Search And Download.

**COOPER** Lighting

## Free Manuals Download Website

<http://myh66.com>

<http://usermanuals.us>

<http://www.somanuals.com>

<http://www.4manuals.cc>

<http://www.manual-lib.com>

<http://www.404manual.com>

<http://www.luxmanual.com>

<http://aubethermostatmanual.com>

Golf course search by state

<http://golfingnear.com>

Email search by domain

<http://emailbydomain.com>

Auto manuals search

<http://auto.somanuals.com>

TV manuals search

<http://tv.somanuals.com>