

COOPER LIGHTING - SURE-LITES®



VRX SERIES

**Thin Profile
High-Abuse**

**AC Only
Self-Powered**

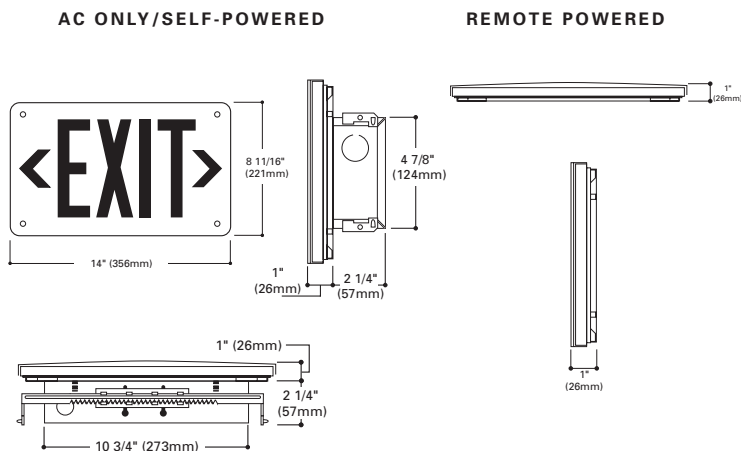
EXIT LIGHTING

- Dual-voltage input 120/277 VAC, 60 Hz
- Die cast aluminum faceplate exposed unit thickness is 1"
- 20 gauge recessed housing fits in 2x4 construction
- 18 gauge mounting plate with clearance holes for 1/4" fasteners
- LED lamp panel provides uniform light output
- Convex .125" polycarbonate Vandal Shield standard
- Centerpin Torx tamper resistant screws
- NFPA compliant knockout chevrons allow quick conversion to directional signs
- Adjustable hanger bars
- EPDM shock-absorbing gasket between mounting plate and wall
- Self-powered Exits feature line-latching, solid-state voltage limited charger, solid-state switching, low-voltage disconnect, brownout circuit, overload/short-circuit protection, test switch/power indicator light
- UL 924 Listed, Life Safety NFPA 101, NEC/OSHA, UL Listed as suitable for floor proximity installation, most state and local codes

DESCRIPTION

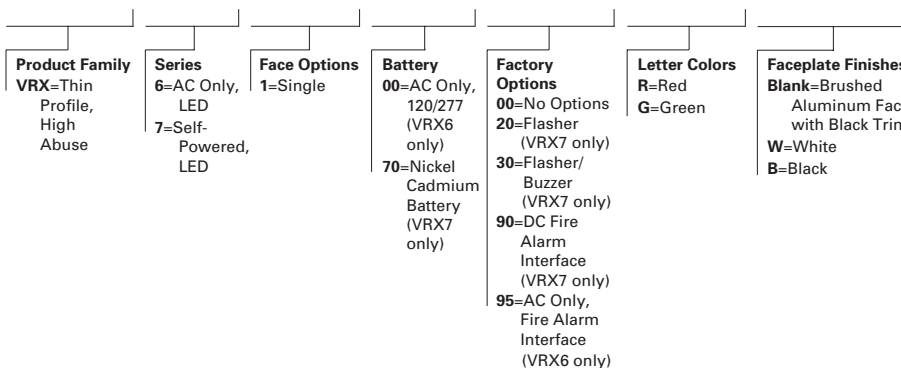
The VRX Thin Profile High-Abuse Exit Series combines the strength of die cast aluminum, the profile of a recessed design and the superior aesthetics of Sure-Lites LED technology to create an exit with optimum versatility and aesthetics. The VRX Series faceplate/mounting plate/lens is only 1" thick, yielding a sign with minimal off-wall protrusion without requiring the large wall opening of a fully recessed exit. The VRX Series also includes a Remote Powered Exit which can be powered from a VRX Series AC Only or Self Powered Exit.

DIMENSIONS



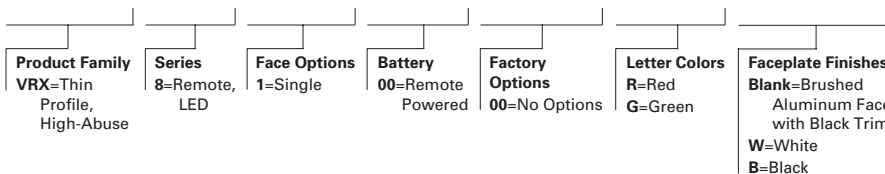
ORDERING INFORMATION - AC ONLY EXITS / SELF-POWERED EXITS

SAMPLE NUMBER: VRX61000RB



ORDERING INFORMATION - REMOTE POWERED LED EXITS

SAMPLE NUMBER: VRX81000RB



Energy Data

LED EXITS-AC ONLY

	Input Power;		Input Current (Max.):		Power Factor:		T.H.D.:	
	120V	277V	120V	277V	120V	277V	120V	277V
Red Letters Single Face	5.6W	5.7W	.07A	.03A	>.71	>.71	<36%	<36%
Red Letters Single Face with Remote	7.3W	7.3W	.07A	.03A	>.83	>.83	<33%	<34%
Green Letters Single Face	6.7W	6.8W	.07A	.03A	>.79	>.79	<30%	<31%
Green Letters Single Face with Remote	9.5W	9.7W	.09A	.04A	>.90	>.90	<26%	<27%

Remote Powered

Red Letters Single Face	2.0 watts additional
Green Letters Single Face	2.5 watts additional

Energy Data

Sealed Nickel Cadmium Battery-LED Exit

	Input Power;		Input Current (Max.):		Power Factor:		T.H.D.:	
	120V	277V	120V	277V	120V	277V	120V	277V
Red Letters Single Face	7.4W	7.5W	.08A	.04A	>.72	>.72	<34%	<34%
Red Letters Single Face with Remote	9.3W	9.5W	.08A	.04A	>.84	>.84	<31%	<32%
Green Letters Single Face	8.5W	8.7W	.09A	.04A	>.79	>.79	<30%	<31%
Green Letters Single Face with Remote	11.4W	11.7W	.11A	.05A	>.90	>.90	<26%	<26%

Free Manuals Download Website

<http://myh66.com>

<http://usermanuals.us>

<http://www.somanuals.com>

<http://www.4manuals.cc>

<http://www.manual-lib.com>

<http://www.404manual.com>

<http://www.luxmanual.com>

<http://aubethermostatmanual.com>

Golf course search by state

<http://golfingnear.com>

Email search by domain

<http://emailbydomain.com>

Auto manuals search

<http://auto.somanuals.com>

TV manuals search

<http://tv.somanuals.com>