

INVUE™ INSTALLATION INSTRUCTIONS

IMPORTANT: Read carefully before installing fixture. Retain for future reference.

VISION WALL Sheet 4 of 4

12/29/03 IMI-498

WARNING: Make certain power is OFF before starting installation or attempting any maintenance.

Adjustment Of Light Throw

Your Vision Wall luminaire has an adjustable forward light throw.

1. Obtain a 3/16" allen wrench.
2. Locate the stainless steel button head screw on the outside of the fixture (See Fig. 4).
3. Turn the screw clockwise to pivot the reflector and throw the light forward.
4. You may monitor the reflector rotation by viewing the bottom edge of the reflector and the indicator located inside the fixture. This is viewable through the glass (See Fig. 5).
5. Rotating the screw counter-clockwise brings the reflector back down to zero.

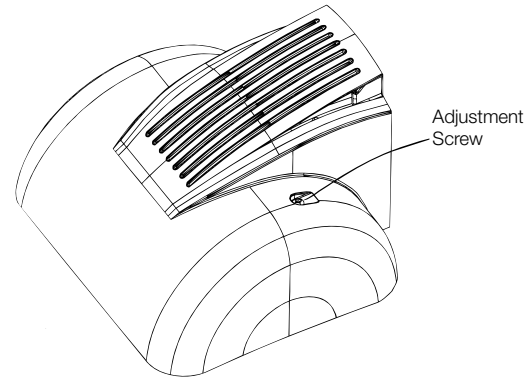
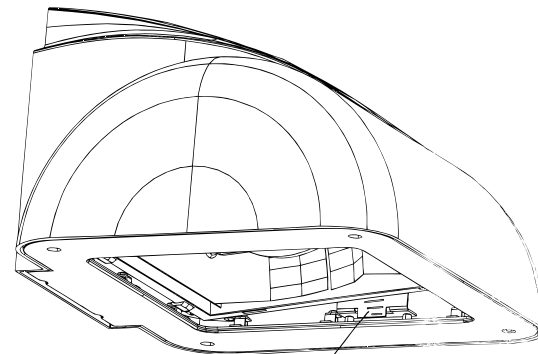


Fig. 4



Degree Indicator
Fig. 5

CAUTION:

Prior to installing lamp in the fixture, verify that lamp source and wattage correspond with the fixture label. Lamp should be screwed securely into the socket. *Do not over tighten.*

WARNING:

Recheck to be sure that the fixture has been wired properly. Improper wiring may result in ballast failure which voids all warranties.

Cleaning

The reflector and door glass may be cleaned with any suitable non-abrasive glass cleaning solution, soap, or detergent and rinse with clean water. The reflectors efficiency will be retained only if cleaned at regular intervals. Clean with mild soap or detergent and water, or liquid wax emulsion. The refractor should also be cleaned along with the reflector, using care not to chip glass surfaces.

CAUTION:

Do not use abrasive, strong alkaline or acid cleaners.

These instructions do not claim to cover all details or variations in the equipment, procedure, or process described, nor to provide directions for meeting every possible contingency during installation, operation or maintenance. When additional information is desired to satisfy a problem not covered sufficiently for user's purpose, please contact your nearest representative.

INVUE™ INSTALLATION INSTRUCTIONS

IMPORTANT: Read carefully before installing fixture. Retain for future reference.

VISION WALL Sheet 1 of 4

12/29/03 IMI-498

General: Upon receipt of fixture thoroughly inspect for any freight damage, which should be brought to the attention of the delivery carrier. Compare the catalog description listed on the packing slip with the fixture label on the housing to assure you have received the correct merchandise.

Safety: This fixture must be wired in accordance with the national electrical code and applicable local codes and ordinance. Proper grounding is required to insure personal safety. Carefully observe grounding procedure under installation section. All work should be done by a qualified electrician.

WARNING: Make certain power is OFF before starting installation or attempting any maintenance.

Your Vision Wall Luminaire has three different types of mounting interface:

1. Standard Mount—mounts to any standard 4" J-box. (Included with every fixture) (See Fig. 1).
2. Embedded Mount—mounts to a plate embedded into the wall (Optional Accessory VWM/EM) (See Fig. 2).
3. Thru Way Box—mounts to surface mounted casting, allowing a conduit run (Optional Accessory VWM/TB) (See Fig. 3).

NOTE:

Please refer to your mounting kit for specific instructions.

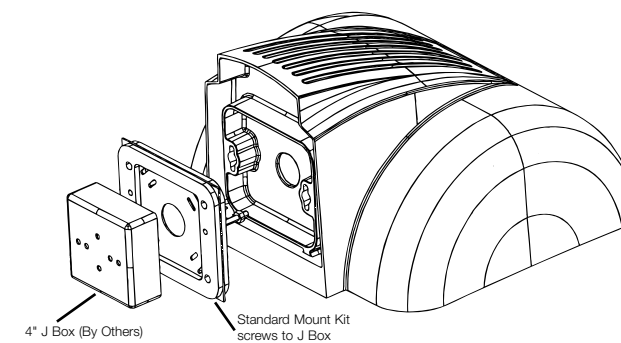


Fig. 1
STANDARD MOUNT

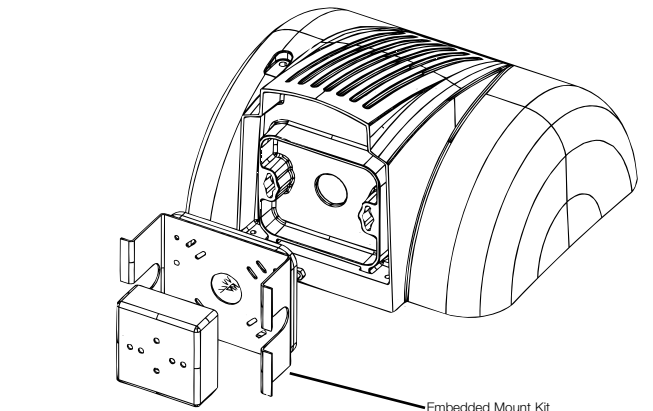


Fig. 2
EMBEDDED MOUNT
VWM/EM

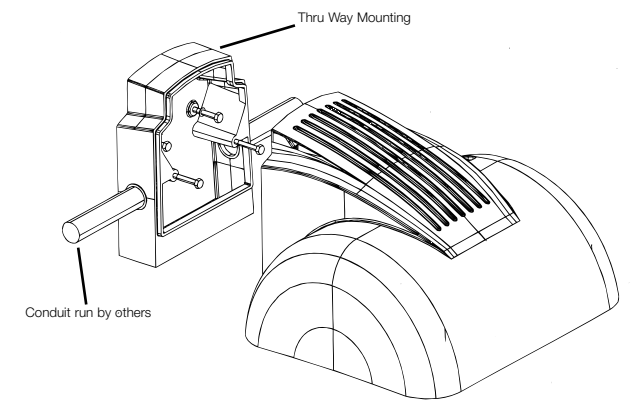


Fig. 3
THRU-WAY BOX
VWM/TB

These instructions do not claim to cover all details or variations in the equipment, procedure, or process described, nor to provide directions for meeting every possible contingency during installation, operation or maintenance. When additional information is desired to satisfy a problem not covered sufficiently for user's purpose, please contact your nearest representative.

INSTALLATION INSTRUCTIONS

IMPORTANT: Read carefully before installing fixture. Retain for future reference.

WARNING: Make certain power is OFF before starting installation or attempting any maintenance.

Standard Mounting Kit

1. The standard mounting kit may be mounted to any standard, embedded, 4" junction box. It is not for use with a surface mounted J-box. For orientation of fixture to the junction box (See Fig. 1).
2. Using the two (2) screws supplied with the junction box, install the mounting plate as shown. The 5/16-18 studs should be facing away from the wall and above the center of the bracket (See Fig. 2). For rough or uneven surfaces, sealant must be applied (by others) between the rear mounting plate gasket and the mounting surface (wall).
3. In addition to the screws supplied with the junction box, the unit must be supported by 1/4" anchor screws (supplied by others) installed through the four (4) holes provided. (See Fig. 3).

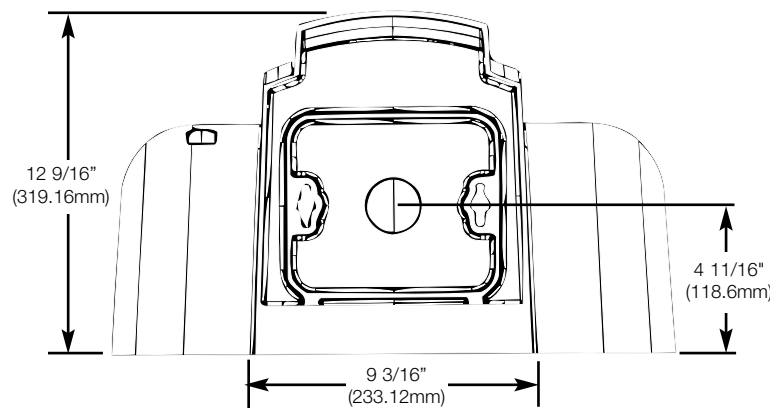


Fig. 1

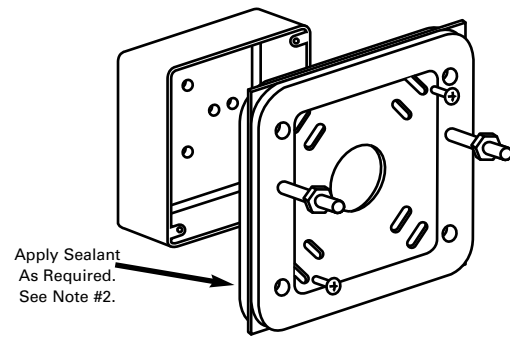


Fig. 2

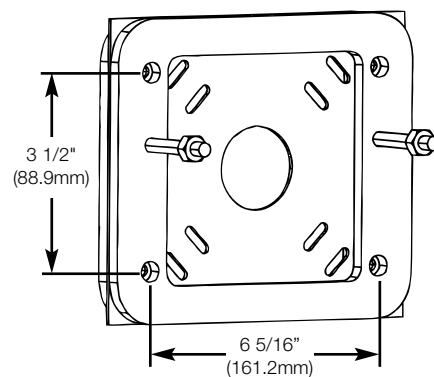


Fig. 3

These instructions do not claim to cover all details or variations in the equipment, procedure, or process described, nor to provide directions for meeting every possible contingency during installation, operation or maintenance. When additional information is desired to satisfy a problem not covered sufficiently for user's purpose, please contact your nearest representative.

VISION WALL Sheet 2 of 4

12/29/03 IMI-498

INSTALLATION INSTRUCTIONS

IMPORTANT: Read carefully before installing fixture. Retain for future reference.

WARNING: Make certain power is OFF before starting installation or attempting any maintenance.

Installing the Fixture

1. You may install the fixture with the light up or down, as desired.*
2. Make sure all power is off.
3. Visually inspect the mounting bracket to insure correct placement and check for damaged gaskets (Refer to the specific mounting instruction sheet used with your fixture.)
4. Loosen the four (4) 1/4-20 captive socket head cap screws and open the door.
5. Locate two (2) reflector latches on either side of the forward end of the reflector (See Fig. 1).
6. Turn the latches to disengage and pivot the reflector assembly out of the way (See Fig. 2).
7. Thread the incoming power leads through the large center hole in the rear of the fixture while lining up the bolts (or threaded studs) with the keyhole slots in the rear. (See Fig. 3)
8. Carefully slide the fixture down the keyhole, taking care not to damage the gaskets.
9. Tighten the screws or nuts (Depending on mounting type). **DO NOT CAULK AROUND THE FIXTURE.**
10. Have a qualified electrician make the power connections.
11. Push the supply wires back through the center hole and down in the rear fixture cavity.
12. Swing the reflector assembly back up and latch into position.
13. Install the door and four (4) 1/4-20 screws. Tighten the screws diagonally opposed.

* **When used with Thru-Way Mounting Box Accessory WWM/TB, unit can only be mounted downward.**

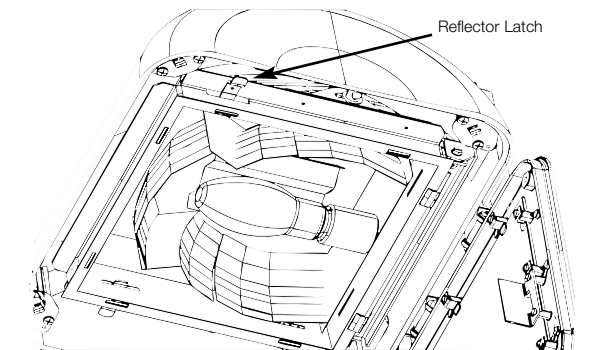


Fig. 1

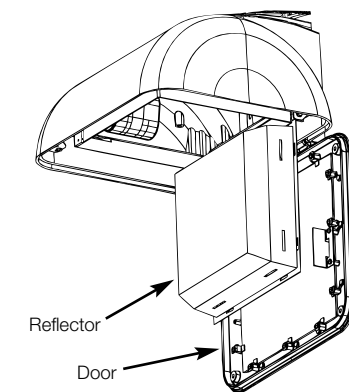


Fig. 2

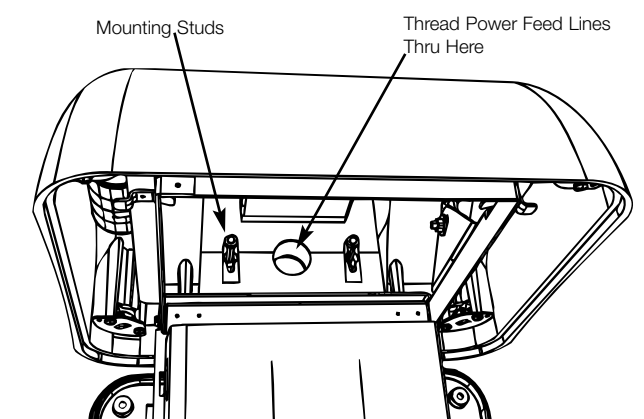


Fig. 3

These instructions do not claim to cover all details or variations in the equipment, procedure, or process described, nor to provide directions for meeting every possible contingency during installation, operation or maintenance. When additional information is desired to satisfy a problem not covered sufficiently for user's purpose, please contact your nearest representative.

Free Manuals Download Website

<http://myh66.com>

<http://usermanuals.us>

<http://www.somanuals.com>

<http://www.4manuals.cc>

<http://www.manual-lib.com>

<http://www.404manual.com>

<http://www.luxmanual.com>

<http://aubethermostatmanual.com>

Golf course search by state

<http://golfingnear.com>

Email search by domain

<http://emailbydomain.com>

Auto manuals search

<http://auto.somanuals.com>

TV manuals search

<http://tv.somanuals.com>