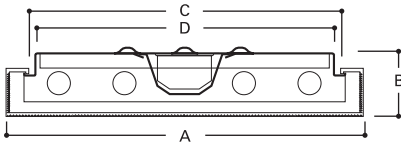


DIMENSIONS



LAMPS	A	B	C	D
2 Lamp	9-7/8" (251mm)	2-5/8" (67mm)	8-1/4" (210mm)	7-1/4" (184mm)
3/4 Lamp	15-3/8" (391mm)	2-5/8" (67mm)	13-3/4" (349mm)	12-3/4" (324mm)

DESCRIPTION

The WS Series is a specification wraparound luminaire featuring energy efficient performance. The luminaire's characteristic clean, low profile design is both appealing and practically functional. The WS Series utilizes a clear, low brightness, extruded acrylic refractor with injection molded end caps for high performance and good looks. The efficient and stylish WS Series is the perfect wraparound for commercial spaces, schools, dormitories, offices and retail areas.



WS SERIES

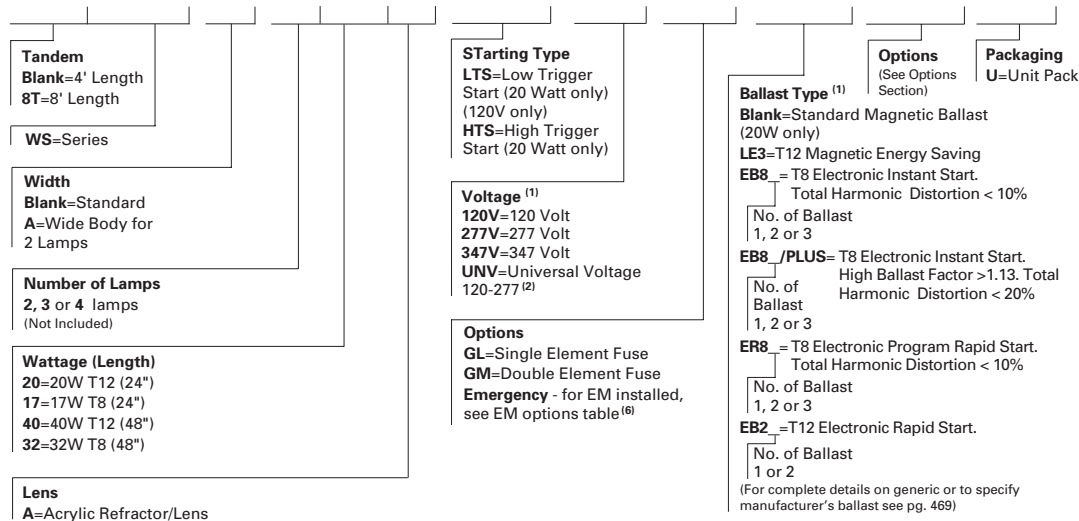
2', 4' or 8' Surface
2, 3 or 4 Lamps

SURFACE WRAPAROUND SPECIFICATION GRADE

- Equipped with energy saving ballasts/complies with federal energy efficiency standards
- Low profile
- Low brightness/extruded acrylic refractor
- Injection molded end plates
- Baked white enamel finish
- Lift and shift refractor for ease of re-lamping
- Surface or stem mounting, single or continuous row ⁽³⁾ ⁽⁴⁾ ⁽⁵⁾
- Also available in tandem 8' lengths
- UL/CUL Listed. Suitable for damp locations.

ORDERING INFORMATION

SAMPLE NUMBER: WS-232A-120V-EB81-U



NOTES: ⁽¹⁾Products also available in non-US voltages and frequencies for international markets. ⁽²⁾Not available when specifying emergencies, voltage must be specific. ⁽³⁾Stem mounting not available on 3-lamp fixtures. ⁽⁴⁾2 point suspension recommended for 2 and 4-lamp fixtures. ⁽⁵⁾Steel endplates with 7/8" KO standard for continuous row mounting. ⁽⁶⁾Non available for 2' version.

Free Manuals Download Website

<http://myh66.com>

<http://usermanuals.us>

<http://www.somanuals.com>

<http://www.4manuals.cc>

<http://www.manual-lib.com>

<http://www.404manual.com>

<http://www.luxmanual.com>

<http://aubethermostatmanual.com>

Golf course search by state

<http://golfingnear.com>

Email search by domain

<http://emailbydomain.com>

Auto manuals search

<http://auto.somanuals.com>

TV manuals search

<http://tv.somanuals.com>