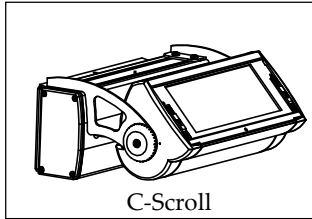
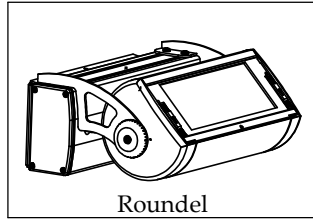


Vault



C-Scroll



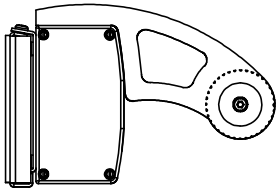
Roundel

These installation instructions valid with the above Ametrix styles.

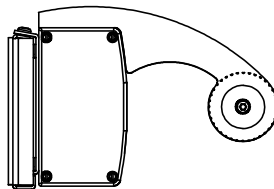
## Large, OUTDOOR YIxx (Yoke mount, Integral ballast) Visor and Non-Visor

**Warning:** Before starting any work ensure that all sources of power are turned off. All work must meet local/national codes and be performed by a certified electrician.

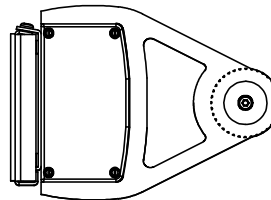
### Available yoke styles



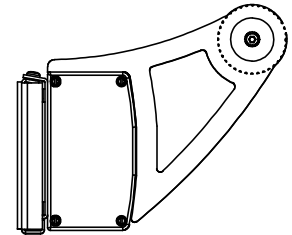
Yoke 01



Yoke 02

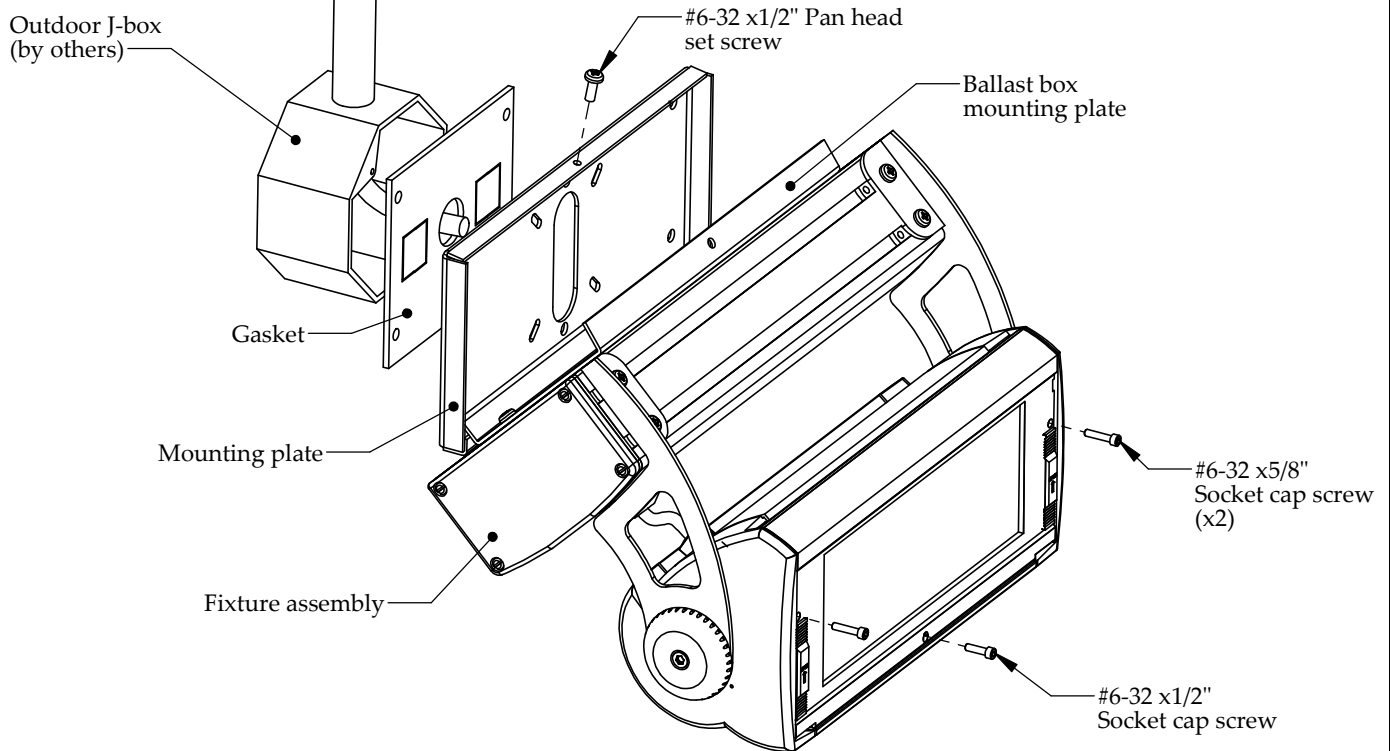


Yoke 03

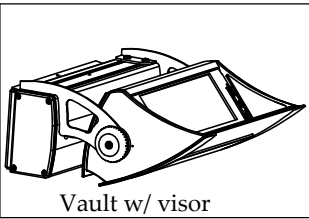


Yoke 04

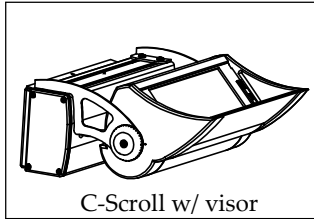
### Mounting the fixtures



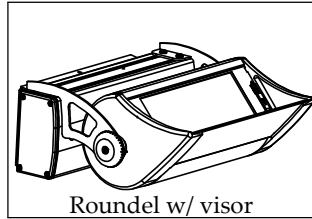
1. Using appropriate screws (by others), secure mounting plate to J-box (by others). Ensure gasket is smooth and compressed. Use additional screws and bracing around J-box if necessary.
2. Hook ballast box plate to mounting plate bottom and carefully allow fixture to hang.
3. Attach wires and ensure all connections are properly matched.
4. Hide splice in J-box and push entire fixture up, covering the mounting plate. Secure fixture in place with #6-32 x1/2" pan head set screw.



Vault w/ visor



C-Scroll w/ visor



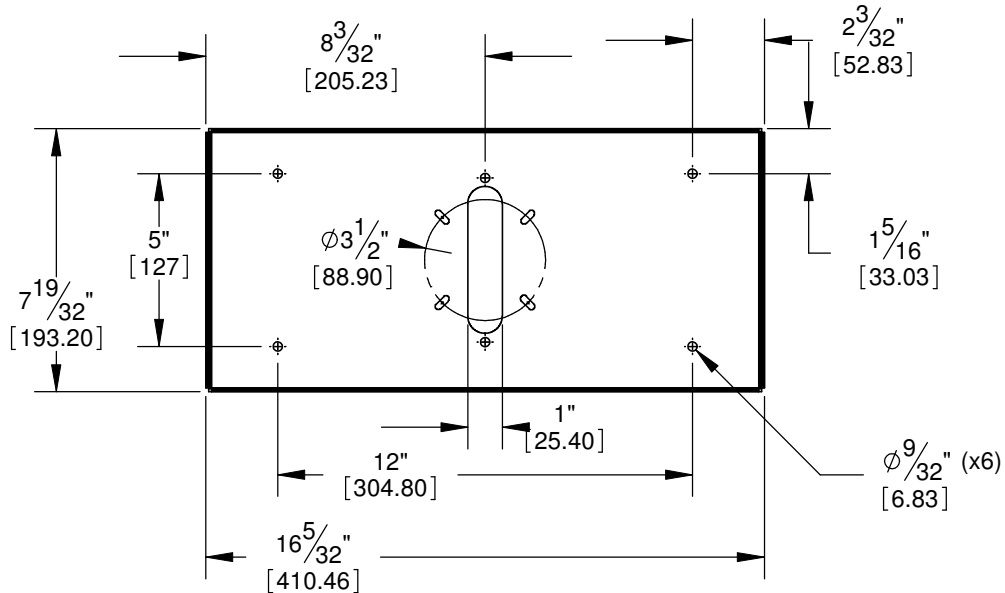
Roundel w/ visor

These installation instructions are valid with the above Ametrix styles

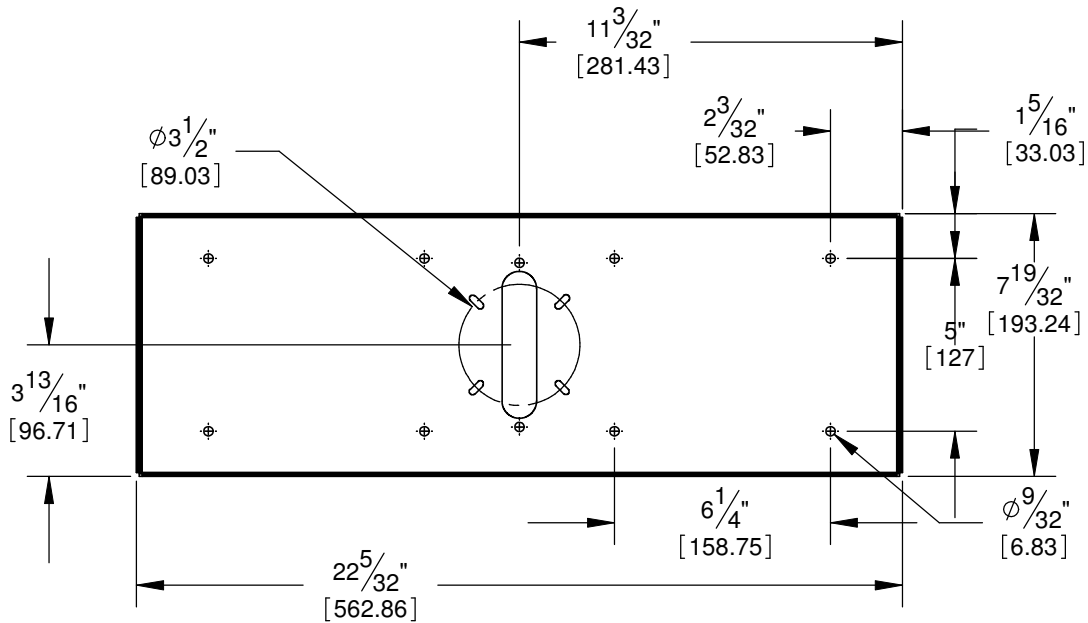
**Large, OUTDOOR  
Ylxx  
(Yoke mount, Integral ballast)  
Visor and Non-Visor**

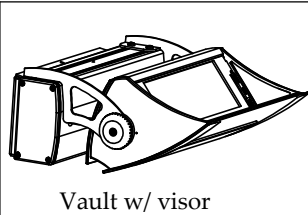
**Warning:** Before starting any work ensure that all sources of power are turned off. All work must meet local/national codes and be performed by a certified electrician. **Do not** mount fixtures vertically.

**Mounting Plate Dimensions In [mm]  
(Dimensions valid for 16 1/2 [419] fixture head size)**

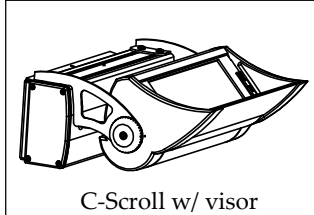


**(Dimensions valid for 22 1/2 [571.5], 30 1/2 [774.7] fixture head sizes)**

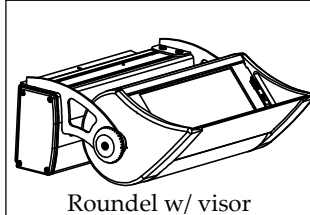




Vault w/ visor



C-Scroll w/ visor



Roundel w/ visor

These installation instructions are valid with the above Ametrix styles

## Large, OUTDOOR Ylxx (Yoke mount, Integral ballast) Visor and Non-Visor

**Warning:** Before starting any work ensure that all sources of power are turned off. All work must meet local/national codes and be performed by a certified electrician. **Do not** mount fixtures vertically.

### Lamping Size Chart (lamps provided by others)

FIXTURE SIZE (inches/ mm)	WATTAGE	# OF LAMPS	LAMP TYPE	LAMP DESCRIPTION	Lamp (not to scale)
16 1/2 / 419.1	32 W	1	T4	Compact Fluorescent	
16 1/2 / 419.1	42 W	1	T4	Compact Fluorescent	
16 1/2 / 419.1	57 W	1	T4	Compact Fluorescent	
16 1/2 / 419.1	100 W	1	ED17	Ceramic Metal Halide	
16 1/2 / 419.1	150 W	1	T6	Ceramic Metal Halide	
16 1/2 / 419.1	175 W	1	ED17	Ceramic Metal Halide	
22 1/2 / 571.5 mm	250 W	1	ET18	Metal Halide	
22 1/2 / 571.5 mm	400 W	1	ET18	Metal Halide	
22 1/2 / 571.5 mm	150 W	2	T6	Ceramic Metal Halide	
22 1/2 / 571.5 mm	32 W	2	T4	Compact Fluorescent	
22 1/2 / 571.5 mm	42 W	2	T4	Compact Fluorescent	
22 1/2 / 571.5 mm	250 W	1	ET18	Metal Halide	
22 1/2 / 571.5 mm	400 W	1	ET18	Metal Halide	
22 1/2 / 571.5 mm	150 W	2	T6	Ceramic Metal Halide	
22 1/2 / 571.5 mm	350 W	1	T3	Halogen(Double Ended)	
22 1/2 / 571.5 mm	500 W	1	T3	Halogen(Double Ended)	
30 1/2 / 774.7	36 W	1	T5	Twin Tube	
30 1/2 / 774.7	40 W	1	T5	Twin Tube	
30 1/2 / 774.7	50 W	1	T5	Twin Tube	
30 1/2 / 774.7	55 W	1	T5	Twin Tube	
30 1/2 / 774.7	36 W	2	T5	Twin Tube	
30 1/2 / 774.7	40 W	2	T5	Twin Tube	
30 1/2 / 774.7	50 W	2	T5	Twin Tube	
30 1/2 / 774.7	55 W	2	T5	Twin Tube	
30 1/2 / 774.7	250 W	2	ET18	Metal Halide	
30 1/2 / 774.7	400 W	2	ET18	Metal Halide	
30 1/2 / 774.7	900 W	1	T3	Halogen(Double Ended)	
30 1/2 / 774.7	1000 W	1	T3	Halogen(Double Ended)	

## Free Manuals Download Website

<http://myh66.com>

<http://usermanuals.us>

<http://www.somanuals.com>

<http://www.4manuals.cc>

<http://www.manual-lib.com>

<http://www.404manual.com>

<http://www.luxmanual.com>

<http://aubethermostatmanual.com>

Golf course search by state

<http://golfingnear.com>

Email search by domain

<http://emailbydomain.com>

Auto manuals search

<http://auto.somanuals.com>

TV manuals search

<http://tv.somanuals.com>