

BTHS02

## Elegant Bluetooth Headset



**corega**<sup>®</sup>

## User Manual



1. Before starting.....	20
2. Statements.....	21
3. Product Introduction.....	22
4. Quick Start Guide.....	24
5. Wearing Headset.....	27
6. Function Specification.....	28
6.1 Charging the headset.....	28
6.2 Power On/Off the headset.....	29
6.3 Pairing.....	29
6.4 Making Calls.....	30
6.5 Redial.....	30
6.6 Voice Dialing.....	30
6.7 Answering a call.....	30
6.8 End a call.....	30
6.9 Reject a call.....	30
6.10 Transfer/Switch Calls.....	31
6.11 Adjust the headset Volume .....	31
6.12 Mute.....	31
6.13 Connect with a PC or PDA.....	31
7. FAQ.....	32
8. Compatible Listing.....	34
9. Specification.....	35

# 1

## Before starting

1. For first time use, it should takes about 4 hours to fully charge the battery. Afterward, it takes about 2 hours to fully charge. Details please refer to the manual.
2. This manual was taken bluetooth mobil phone for instance for pairing, other bluetooth devices please refer particular manual.
3. You will see [CG-BTHS02] shown on the screen of the bluetooth mobil phone or other bluetooth devices when you're pairing. Please select it and enter the password [1234] to make sure the pairing successful.

### **BQB Statements**

The Bluetooth Qualification information of this product could be referred to Bluetooth Identifier B01818”

### **FCC Safety Statements**

This device complies with Part 15 of the FCC rules. Operation is subject to the following two conditions:

1. This device may not cause harmful interference.
2. This device must accept any interference received, including interference that may cause undesired operation.

The radiated output power is far below the FCC Radio frequency exposure limits. Nevertheless, this device should be used in such a manner that the potential for human contact during normal operation is minimized.

Warning: Changes or modifications made to this equipment not expressly approved by the manufacturer. May void the FCC authorization to operate this equipment.

### **Important. Please note the following:**

This equipment has been tested and found to comply with the limits for a Class B digital device, pursuant to part 15 of the FCC Rules. These limits are designed to provide reasonable protection against harmful interference in a residential installation. This equipment generates, uses and can radiate radio frequency energy and, if not installed and used in accordance with the instructions, may cause harmful interference to radio communications. However, there is no guarantee that interference will not occur in a particular installation. If this equipment does cause harmful interference to radio or television reception, which can be determined by turning the equipment off and on, the user is encouraged to try to correct the interference by one or more of the following measures:

- Reorient or relocate the receiving antenna.
- Increase the separation between the equipment and receiver.
- Connect the equipment into an outlet on a circuit different from that to which the receiver is connected.
- Consult the dealer or an experienced radio/TV technician for help.

### **Copyright and Trademark Notices**

Products and brand names may be the trademarks or registered trademarks of their respective owners.

# 3

## Product Introduction

corega BTHS02 is an elegant styling bluetooth headset, which can pairing with mobile phones, PDA, Desktop PC or notebooks and making voice transmission within high distance of 10M. You may use corega BTHS02 as wireless microphone when you talking through MSN messenger/Yahoo messenger or other IM softwares, or listen to the music from PC or notebooks.

### 3.1 Packing Content

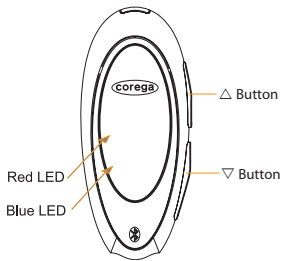
- Elegant Bluetooth Headset
- Charger (suitable for Nokia mobilphone)
- Charger Connector
- Ear Hook
- Cloth Bag
- Strap
- Ear Sponges
- Manual

### 3.2 Product Features

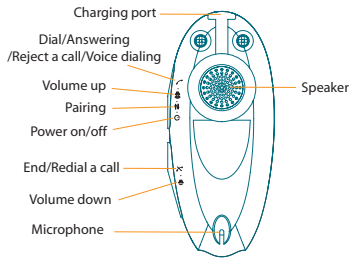
- Compatible with Bluetooth 1.1 Standard
- Fashion and stylish design
- High voice transmission quality without echo
- 2 easy wearing ways-direct to wear or wear with earhook
- Talking time up to 6 hours and standby time up to 160 hours
- Cover area up to 10m
- Support [Voice Dailing] and [Transfer/Switch calls] function.
- Support IM software, ex:MSN Messenger, Skype
- Low electromagnetic wave for health care
- Additional strap for wearing on neck
- Additional pretty bag for protecting the headset.

### 3.3 Hardware Introduction

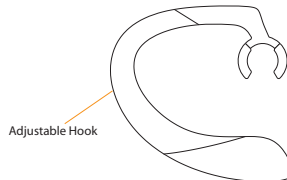
[Front]



[Back]



[Ear Hook]

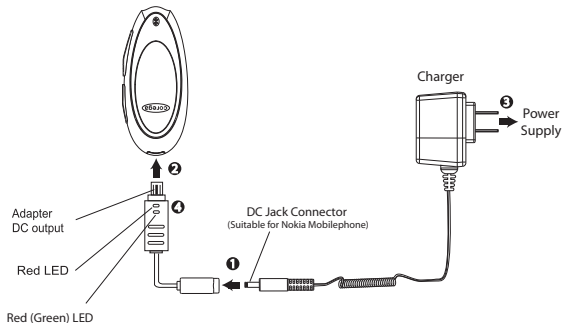


## 4

## Quick Start Guide

### 《Charging the headset》 (while LED is red)

① > ② > ③ > ④ (Check LED status)



### 《Power on》

Press and hold the [△] button for 4 seconds > LED flashes blue light for 4 times > release the [△] button > power on successful.

(Powering on status is LED flashes one time per several seconds)

### 《Power off》

Press and hold the [△] button for 4 seconds > LED flashes red light for 4 times > release the [△] button > power off successful.

### 《Pairing with mobilphone》

Press and hold the [△] button for 7 seconds > LED flashes blue light for 4 times > LED flashes red and blue alternatively > release the [△] button > follow the mobilphone's manual for pairing > select "CG-BTHS02" of the listing showed on your mobilphone screen > type



password, "1234" ► pairing successful.

### 《Make a call》

Dialing by the mobilphone.

### 《Redial last call》

Press and hold the [▽] button for 3 seconds ► starting auto dialing last call.

### 《Cancel dialing》

Press and release the [△] button ► the call is canceled.

### 《Voice dialing》

(It depends on mobilphone's voice dialing function)

Press and release the [△] button ► Say the telephone number (or voice tag) ► starting auto dialing.

### 《Answer a call》

Press and release the [△] button ► start to talk.

### 《End a call》

Press and hold the [▽] button for 3 seconds ► the call is ended.

### 《Reject a call》

(while phone is ringing)

Press and hold the [△] button for 3 seconds ► the call is rejected.

### 《Adjust speaker volume》

Press and release the [△] button ► volume up

Press and release the [▽] button ► volume down

### 《Transfer/Switch Calls》

(While talking on the headset)

Press and hold [△] button for 3 seconds ► transfer the call to the mobile phone ► press and release [△] button ► transfer the call back to headset.

### 《Mute the Microphone》

Press and hold both [△] and [▽] button for 3 seconds ► mute during a call.

Press and hold both [△] and [▽] button ► mute is canceled during a call.

### 《Connect with a PC or PDA》

You are allowed to connect the headset with a Bluetooth enabled PC or PDA that is with Audio Gateway Profiles supported. Please refer to the user manual of your Bluetooth enabled PC or PDA for a setup information.

## 5

## Wearing Headset

BTHS02 User Manual

There are 2 ways to wear the headset (either right or left side):

### 《Wearing the headset without ear hook》

1. Directly place the headset into your ear without the ear hook.



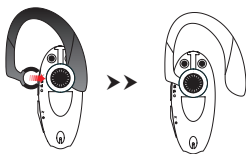
[Figure 1]

### 《Wearing the headset with a ear hook》

1. Buckle the ear hook onto the headset.
2. You may bend and adjust the hook to fit your ear, then gently place the ear hook onto your ear. (Figure 2, ex: wearing onto left ear.)
3. You may take apart the ear hook and buckle the headset by the contrary way if you want to exchange to the right ear. (Figure 3)



[Figure 2]



[Figure 3]

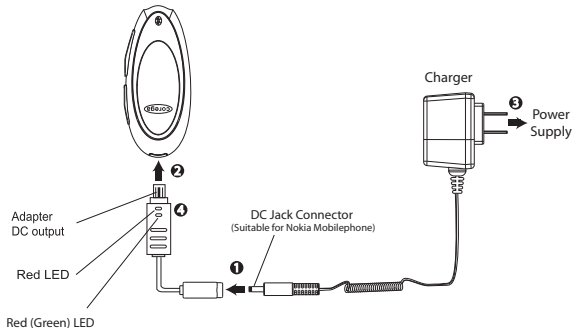
## 6

## Function Specification

### 6.1 Charging the headset

The headset comes with an embedded rechargeable battery. For first time use, it should take about 4 hours to fully charge the battery. Afterward, it takes about 2 hours to fully charge. With battery fully charged, the talk time is about 6 hours, and the standby time will be about 160 hours.

1. Connect the DC Jack Connector with transferred connector as picture shown below.
2. Connect the other side of transferred connector to the rechargeable port of the headset.
3. Plug the charger into the socket of the power supply.
4. Both red and green LEDs of transferred connector will light up.



\* Note:

1. When the red indicator of the headset starts to flash, it indicates that the headset is running low on battery. Charge the headset for 2 hours until the red indicator turns off.
2. The headset doesn't work while charging.

## 6.2 Power On/Off the headset

### 《Power On》

Press and hold [△] button for 4 seconds. While you see the LED flashes blue light for 4 times and hear two short high tones, release [△] button, then it will be powered on.

### 《Power Off》

Press and hold [△] button for 4 seconds. While you see the LED flashes red light for 4 times and hear two low tones, release [△] button, then it will be powered off.

## 6.3 Pairing

You are required to pair the headset with your mobile phone or other devices before using it.

1. The headset must be powered off before initiating pairing. To initiate pairing, press and hold [△] button for 7 seconds until the blue and red indicators of headset are flashing alternatively. If you are wearing the headset during the pairing process, you will hear two short high tones when the headset is ready for pairing.
2. Initiate pairing process of your mobile phone. Refer to the manual of mobile phone for detail process. You will see a new item “CG-BTHS02” added in your Bluetooth device list after searching process.
3. You will be asked to enter pin-code to complete pairing. Please enter [1234] and confirm it.

\* Note:

1. [1234] is the default pin-code.
2. The red indicator of headset will turn off and the blue indicator will flash slowly after pairing completed successfully.
3. If the headset is not in pairing mode, your mobile phone won't find the headset. Please set the headset on pairing mode before the mobile phone search for the headset.
4. If no pairing is possible for a period of time (approx. two minutes), the headset will automatically power off, and so the previous pairing (if any) is revoked. You may need to repeat steps 1 to 3 until pairing succeeds.

## 6.4 Making Calls

Dial the number on the mobile phone as you usually do.

## 6.5 Redial

Press and hold [▽] button for 3 seconds to redial the last number you called.

## 6.6 Voice Dialing

Press [△] button, waiting for a beep from headset and say the voice tag or the name of the person you want to call. Press [△] button again to cancel voice dialing.

\* Note: It depends on the mobile phone which supports the function. And the name you said has been saved as a voice tag in mobile phone contact listing.

## 6.7 Answering a call

When the headset is powered on and the mobile phone rings, you will hear a musical tone and the blue indicator will change to be quick flashing. Press [△] button to answer the call.

\* Note: Due to the different design of some mobile phones, an auto-disconnect may happen even when the headset is powered on. In that case, the headset won't ring when there is an incoming call. Press and release the [△] button to reconnect the headset with mobile phone for an incoming call.

## 6.8 End a call

End calls by pressing and holding [▽] button for 3 seconds or do nothing.

## 6.9 Reject a call

Press and hold [△] button for 3 seconds to reject a call.

## 6.10 Transfer/Switch Calls

Press and hold [△] button for 3 seconds to transfer the call to mobile phone while talking on the headset. If you want to transfer the call back to headset, press [△] button again.

## 6.11 Adjust the headset Volume

Press [△] button for volume up or press [▽] button for volume down.

## 6.12 Mute

Press both [△] and [▽] buttons in the same time for a Mute function. Press both [△] and [▽] buttons in the same time again to disable the Mute function.

## 6.13 Connect with a PC or PDA

You are allowed to connect the headset with a Bluetooth enabled PC or PDA that is with Audio Gateway Profiles supported. Please refer to the user manual of your Bluetooth enabled PC or PDA for a setup information.

Q1. Why doesn't the headset work with my mobile phone after the headset has been fully charged and switched on?

Ans: You have to activate the Bluetooth function of your mobile phone first and pair it with the headset.

Q2. Does the headset work with all types of mobile phones?

Ans: No. It works only with Bluetooth enabled mobile phones.

Q3. What is the operation distance between the headset and a Bluetooth mobile phone?

Ans: The maximum operation distance can be up to 10 meters, however it will be affected and shortened by different circumstances and different brands of mobile phones. Some mobile phones are with less operative distance.

Q4. When my mobile phone was searching for the headset, why did several Bluetooth devices appear on my mobile phone?

Ans: Most Bluetooth enabled mobile phones with Bluetooth function activated can search for more than one Bluetooth device within operative range. The headset will appear as "CG-BTHS02" on your mobile phone after having been found by your mobile phone.

Q5. Why can't my mobile phone find the headset?

Ans: If the headset is not in pairing mode, your mobile phone won't find the headset. Please set the headset into pairing mode before starting your mobile phone to search for the headset. (Please refer to the User Manual for detailed instructions.)

Q6. Do I need to pair the headset with my mobile phone every time I use it?

Ans: No, once the Pairing is set up between the two devices, they will remain paired even when one or both devices are powered off.

Q7. Why is there a disturbance noise coming from the headset?

Ans: Whether your mobile phone is in a good signal area. If your mobile phone is in weak signal area, you won't hear clearly with the headset.



Q8. What should I do when I can't hear very well with the headset?

Ans: Adjust the sound volume on your mobile phone, or press the [△] button of the headset to make volume up, or check if your mobile phone is in a good signal area.

Q9. Why doesn't the headset work suddenly?

Ans:

- 1) The headset may have run out of battery. When it is in low battery, a red LED will start to flash.
- 2) Some Bluetooth mobile phones have a problem with the Bluetooth implementation, will occasionally but not often, get into an Bluetooth shut-down status in unpredictable circumstances. When this happens, please restart your mobile phone. (It is not necessary to perform Pairing again.)  
Make sure that your phone has the latest version of firmware loaded onto it. Please check the website of your mobile phone for new firmware.

Q10. Why doesn't the voice dialing function work with the headset?

Ans: You may have to record the voice tag with the headset to your mobile phone. So that it can make sure the voice or number you said is right to correspond with the voice tag.

## 8

## Compatible Listing

Compatible Mobile Phones Listing as below:

Brand name	Model name								
Nokia	3650	3660	6230	6260	6310	6310i	6600	6670	6820
	7280	7610	8910	8910i	N-Gage				
Motorola	A760	A780	E398	E680	V3	V501	V525	V600	V600i
	MPX220	V80							
Sony Ericsson	K700i	P800	P900	P910i	S700i	T39	T610	T630	T68
	Z600	T68i							

Brand name	Model name				Brand name	Model name			
Panasonic	X70	X700	X88		Simens	S55	S65	SX1	
Sharp	GX-15	GX-30	GX-31		BenQ	P30			
Sagem	My-X8				Philips	D535			
Dopod	575				O2	XDA2			

\*Note: Latest compatible mobile listing please refer from <http://www.corega-asia.com>.

Standard	Bluetooth V1.1
Bluetooth Profile	Generic Access (GAP), Service Discovery Application (SDAP), Headset (HSP), Handsfree (HFP)
Usage Time	Talk time: 6 hours Standby time: 160 hours
Frequency	2.4GHz~2.4835GHz ISM Band
Spectrum	FHSS (Frequency Hopping Spread Spectrum)
RF Output Power	0 dBm(typical)
Receiving Sensitivity	-80 dBm(typical)
Power Class	Class 2
Antenna Type	PCB Antenna
Cover Range	Up to 10M (open space) * Environmental factors may adversely affect wireless signal range
Rechargeable Battery	Battery Type:Li-ion polymer Capacity:160 mAh Nominal Voltage:3.7V Recharging Voltage:4.2V Recharging Current:100mA/5V DC
Security	Pairing, 128bits Encryption Authentication
Power Consumption	Operation:30 mA Standby <1 mA
<b>Environment Requirements</b>	
Operating	Temperature:0~40°C Humidity:<90% (non- non-condensing)
Storage	Temperature:-20~60°C Humidity:<95% (non- non-condensing)
<b>Physical Specifications</b>	
Dimension	26(W) x 24(D) x 60(H) mm
Weight	13 g
Certification	DGT,CE,FCC,BQB



memo

---

---

---

---

---

---

---

---

---

---

---

---

---

---

---

---

---

---

---

---

---

---

---



memo

---

---

---

---

---

---

---

---

---

---

---

---

---

---

---

---

---

---

---

---

---

---

---

---



## Free Manuals Download Website

<http://myh66.com>

<http://usermanuals.us>

<http://www.somanuals.com>

<http://www.4manuals.cc>

<http://www.manual-lib.com>

<http://www.404manual.com>

<http://www.luxmanual.com>

<http://aubethermostatmanual.com>

Golf course search by state

<http://golfingnear.com>

Email search by domain

<http://emailbydomain.com>

Auto manuals search

<http://auto.somanuals.com>

TV manuals search

<http://tv.somanuals.com>