



NORDIC CCU0220 SERIES UNDER COUNTER CUBED ICE MAKER

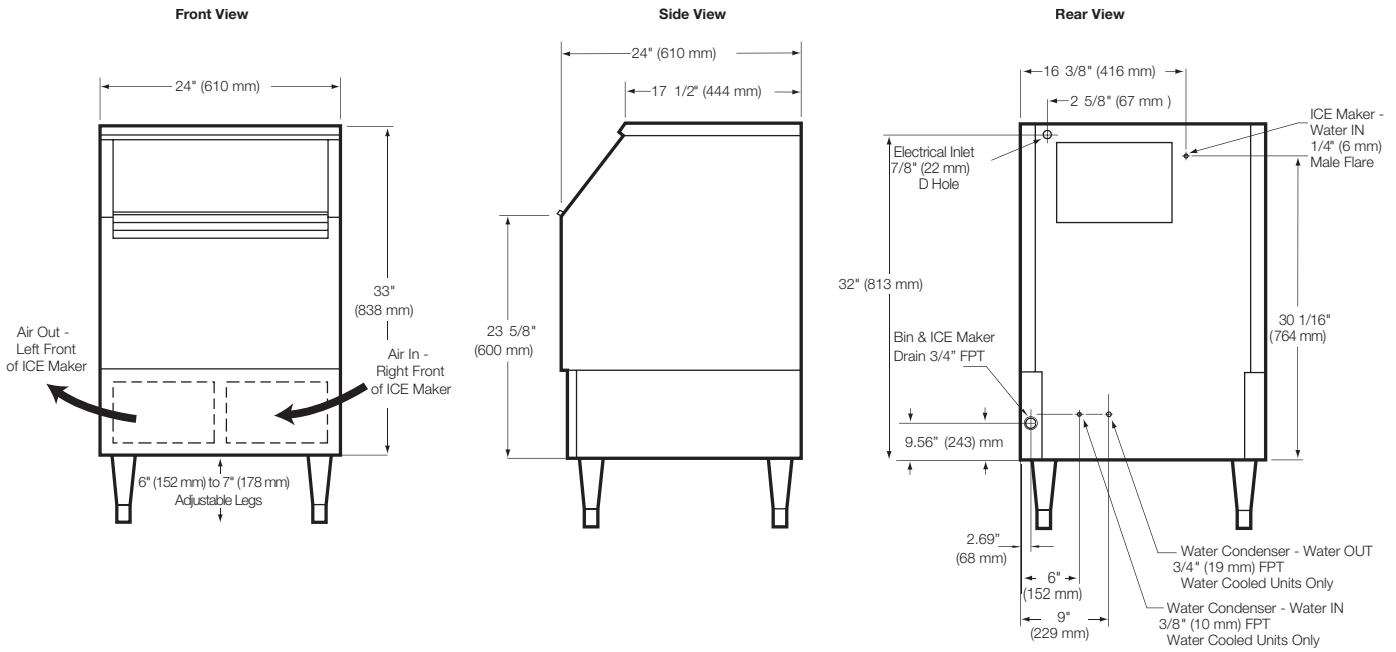


FEATURES:

- Produces up to 251 lbs. (114 Kgs.) of ice per day
- 100 lbs. (45 Kgs.) built-in application storage
- Built in Agion Antimicrobial product protection effective against mold, mildew and fungus
- Ultra low profile – only 39" (991 mm) tall and 24" (607 mm) wide
- Durable, rotomolded exterior cladding
- Large bin door opening for easy access
- Adjustable leg height

Protected by Agion



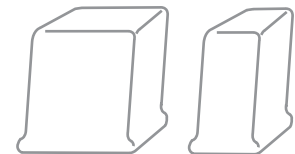


MODEL NO.	Cond. Unit	Ice Prod. per 24 hrs. at 70° Air / 50° Water lbs. (Kgs.)	Ice Prod. per 24 hrs. at 90° Air / 70° Water lbs. (Kgs.)	Water Used-Gals. (Ltrs.) per 100 lbs. of ice 90° Air / 70° Water		Kilowatts Used per 100 lbs. of ice 90° Air / 70° Water	Heat Rejection (Btu/h)	Electrical Rating	Min. Circuit Amp.
				Ice Prod. Use	Cond. Use				
CCU0220A*1	Air	238 (108)	175 (80)	30.3 (115)	n/a	8.8	4609	115/60/1	11.9
CCU0220W*1	Water	251 (114)	205 (93)	34 (129)	204 (775)	6.4	4463	115/60/1	8.9
CCU0220A*2	Air	241 (110)	168 (76)	30.6 (116)	n/a	8.5	4321	208-230/60/1	6
CCU0220A*2	Water	232 (105)	192 (87)	36.3 (137)	166.9 (632)	6.6	4263	208-230/60/1	4.4
CCU0220AF5	Air	211 (96)	143 (65)	32.7 (124)	n/a	8.8	3774	230/50/1	4.9
CCU0220WF5	Water	210 (95)	174 (79)	36.6 (139)	156.3 (592)	6.3	3780	230/50/1	4.1

* Represents cube size. For full cube substitute an "F", for half cube substitute an "H".
 Please note: air-cooled units require 6" (152 mm) clearance for air intake and exhaust.
 1. Application bin storage is 100 lbs. (45 Kgs.) = 90% of Internal Volume x 34 lbs. per cubic foot
 2. ARI bin storage is 74 lbs. (34 Kgs.) = 80% of Internal Volume x 30 lbs. per cubic foot

OPERATING LIMITS

Ambient Temp. Range Air & Water	50° - 110°F (10° - 43°C)
Water Temp. Range	40° - 100°F (4.5° - 38°C)
Water Pressure Ice Maker Water in	Min. 20 psi (1.4 bar)
	Max. 60 psi (6.9 bar)
Condenser Inlet Water (Water cooled only)	Min. 20 psi (1.4 bar)
	Max. 60 psi (6.9 bar)



Cube Size:	Width	Depth	Height
Full	7/8" (22mm)	7/8" (22mm)	7/8" (22mm)
Half	3/8" (10mm)	7/8" (22mm)	7/8" (22mm)

NUMBER OF WIRES 3
 MAX. FUSE SIZE 15
 SHIPPING WEIGHT LBS (KGS.) . . 160 (73)

AGENCY LISTINGS LISTED



IN THE U.S.A. Ph: 800.238.3600 Fax: 763.488.4283
 OUTSIDE THE U.S.A. Ph: 763.488.8200 Fax: 763.488.4283
 101 Broadway Street West Osseo, MN 55369 www.cornelius.com
 © 2008 IMI CORNELIUS For more information or to place an order, contact your sales representative or authorized distributor.

Free Manuals Download Website

<http://myh66.com>

<http://usermanuals.us>

<http://www.somanuals.com>

<http://www.4manuals.cc>

<http://www.manual-lib.com>

<http://www.404manual.com>

<http://www.luxmanual.com>

<http://aubethermostatmanual.com>

Golf course search by state

<http://golfingnear.com>

Email search by domain

<http://emailbydomain.com>

Auto manuals search

<http://auto.somanuals.com>

TV manuals search

<http://tv.somanuals.com>