

INSTALLATION INSTRUCTIONS

ED150 "K" STYLE LID KITS (P/N 08008, 02390)

ON THE FOLLWING ICE MAKER UNITS

Table 1. Applicable Ice Maker Models

ICEMAKER MODELS	SIZE (WIDTH)
Cornelius 322/522 (includes AC/WC 322)	22"
Crystal Tips 200/300/400	22"
Ice-O-Matic GC 300/550	22"
Manitowoc 320/420	22"
Scotsman SLC 300/400	22"
Servend S2/4	22"

Table 2. Loose Shipped Parts

Item No.	Part No.	Name	Qty.
1	52994	Cover, Gray - 08008	1
	52934	Cover, Black - 02390	1
2	15506	Lid Assembly	1
3	29565	Bracket	2
4	70217	#8 Screw	6
5	50904	RTV	1
6	90221	Label	1
7	92111	Installation Instruction	1
8	620701902	Acorn Nut, 8-32 Nylon	2
9	620701901	Sealing Washer	2
10	620042928	Baffle, Ice DF/ED150	1
11	620701903	#8 Nylon Washer	2
12	620505804	Insulation Strip	1

 WARNING:

Disconnect power to the unit before installing the adaptor following all lockout/tag out procedures established by the user. Verify that all the power is off to the unit before performing any work.

Failure to comply could result in serious injury, death or damage to the equipment.

 WARNING:

All ice baffle plates and bin stats, if included or recommended in this kit, must be installed as directed in this manual or the equipment manufacturer's instructions.

Failure to comply could result in serious injury, death or damage to the equipment.

 WARNING:

All of the attachment screws and plates must be installed as directed in this manual.

Failure to comply could result in serious injury, death or damage to the equipment.

Perform the following procedure to install the lid kit.

1. Unpack kit.
2. Place insulation strip (item 12) over studs on the ice baffle (item 10) and insert ice baffle into the lid assembly (item 2).
3. Place (2) sealing washers (item 9) over studs and (2) flat washers (item 11), then fasten in place with (2) plastic acorn nuts (item 8).
4. Set ice maker lid assembly on the top of the dispenser.
5. Using the slotted holes in the lid as a template, drill four (4) 0.140" diameter (9/64") holes at the bottom of the slots (see detail A). Use extreme care not to drill into the hopper. Fasten the lid assembly to the dispenser with two (2) #8 sheet metal screws (item 4), one on each side.
6. Seal the ice maker to the top of the dispenser as follows:
7. Run beads of RTV (item 5) around the opening in the lid assembly and inside of the perimeter of the ice maker outline so that the ice maker will set on the RTV.
 - A. Set the ice maker onto the lid assembly and position it as required.
 - B. Wipe away the excess RTV.
8. Drill 9/64" diameter holes into the ice maker cabinet using the bracket (item 3) as a template. Use extreme care not to drill into any ice maker components (condenser, tubing, etc.). Secure the brackets using four (4) #8 sheet metal screws (item 4).
9. Follow the ice maker manufacturer's instruction to complete the installation of the ice maker including the bin thermostat if so equipped or required.
10. If the plastic acorn nuts interfere with the positioning of the plastic manual fill cover, it may be necessary to make small notches in the back flange of the cover to clear the acorn nuts.

**CAUTION:**

Bin Thermostat must not interfere with the agitator rotation.

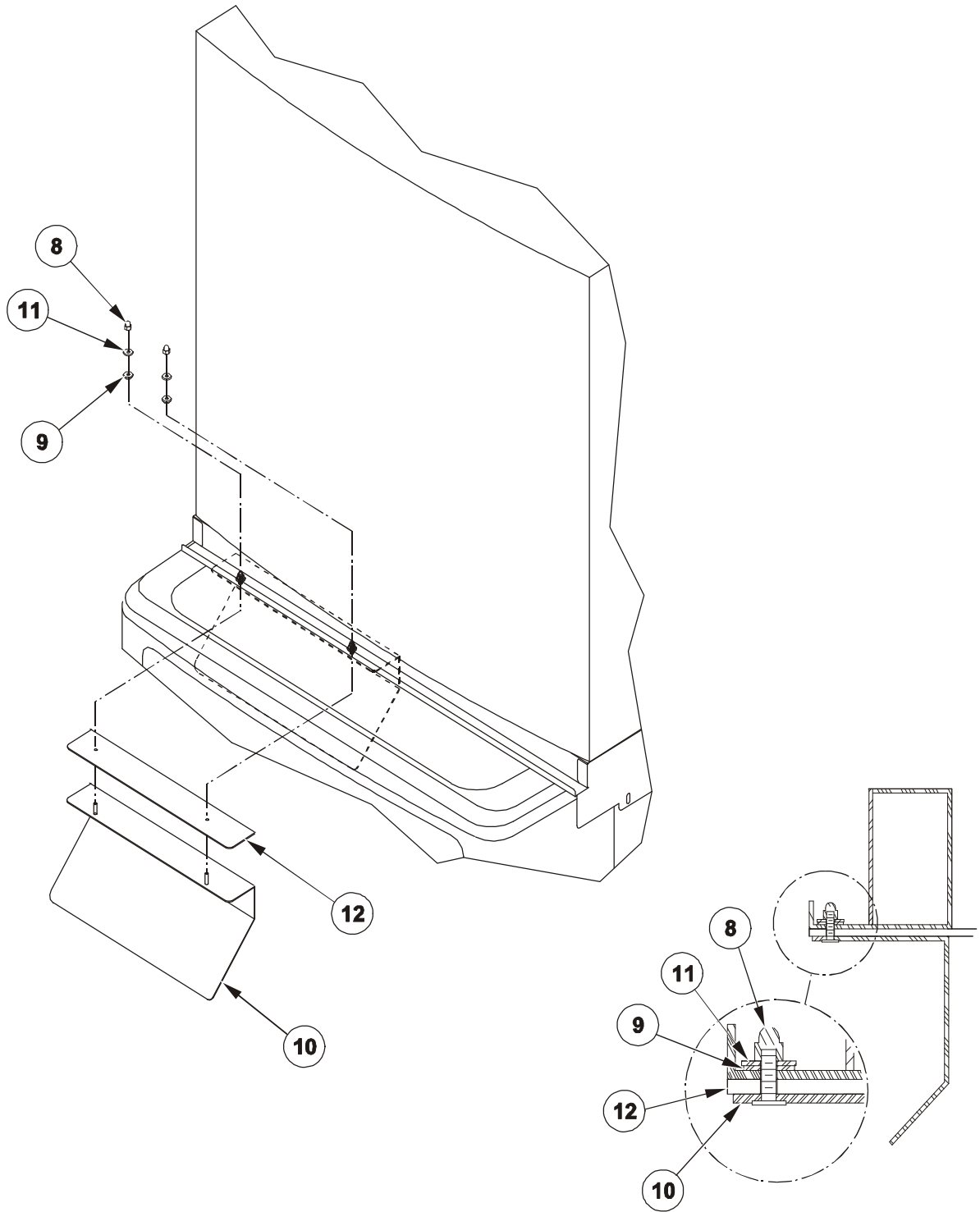


Figure 1. ED150 Kit

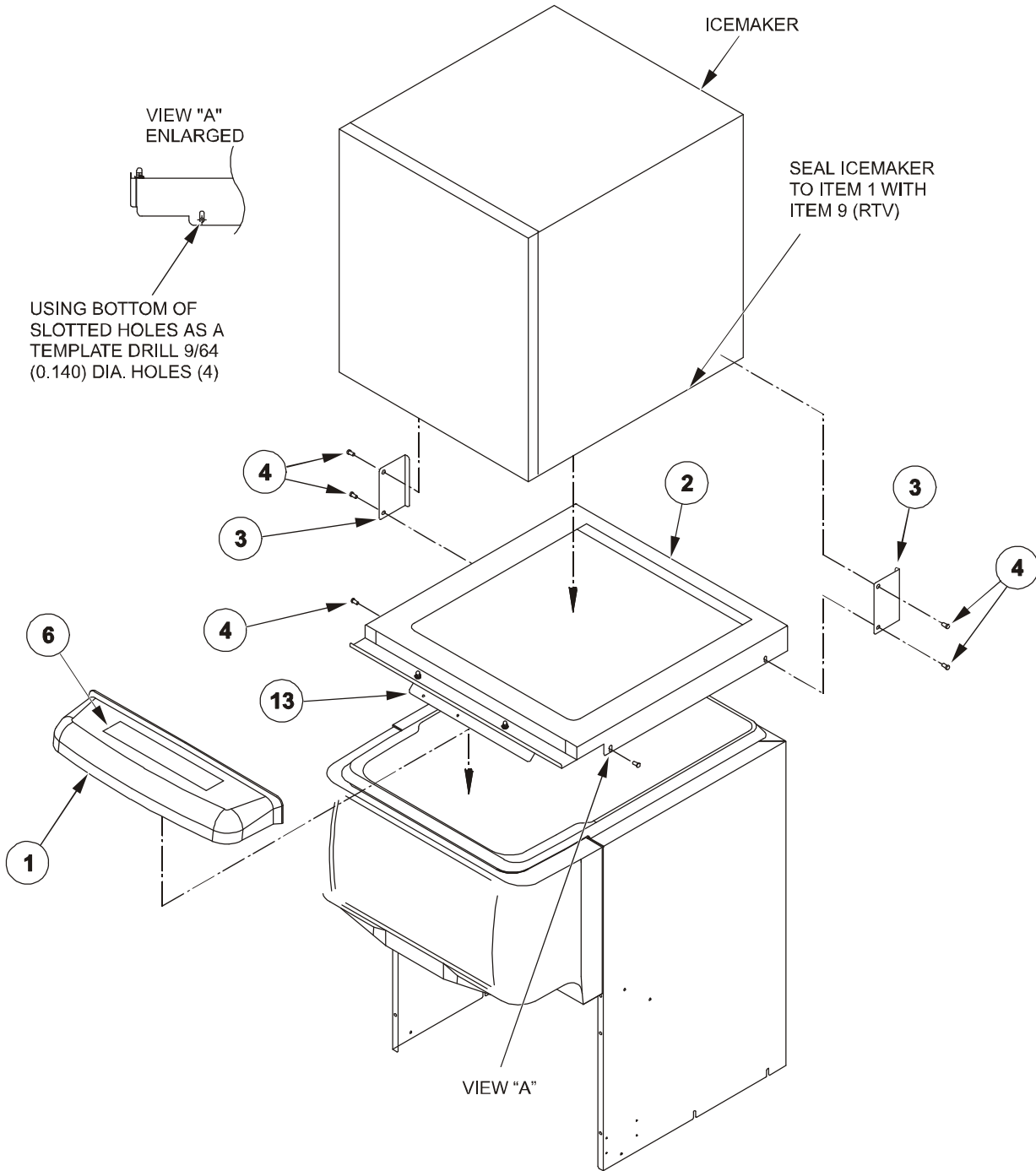


Figure 2. Dispenser Assembly

Free Manuals Download Website

<http://myh66.com>

<http://usermanuals.us>

<http://www.somanuals.com>

<http://www.4manuals.cc>

<http://www.manual-lib.com>

<http://www.404manual.com>

<http://www.luxmanual.com>

<http://aubethermostatmanual.com>

Golf course search by state

<http://golfingnear.com>

Email search by domain

<http://emailbydomain.com>

Auto manuals search

<http://auto.somanuals.com>

TV manuals search

<http://tv.somanuals.com>