

INSTALLATION INSTRUCTIONS

IDC ICEMAKER ADAPTOR KIT FOR P/N 629088650

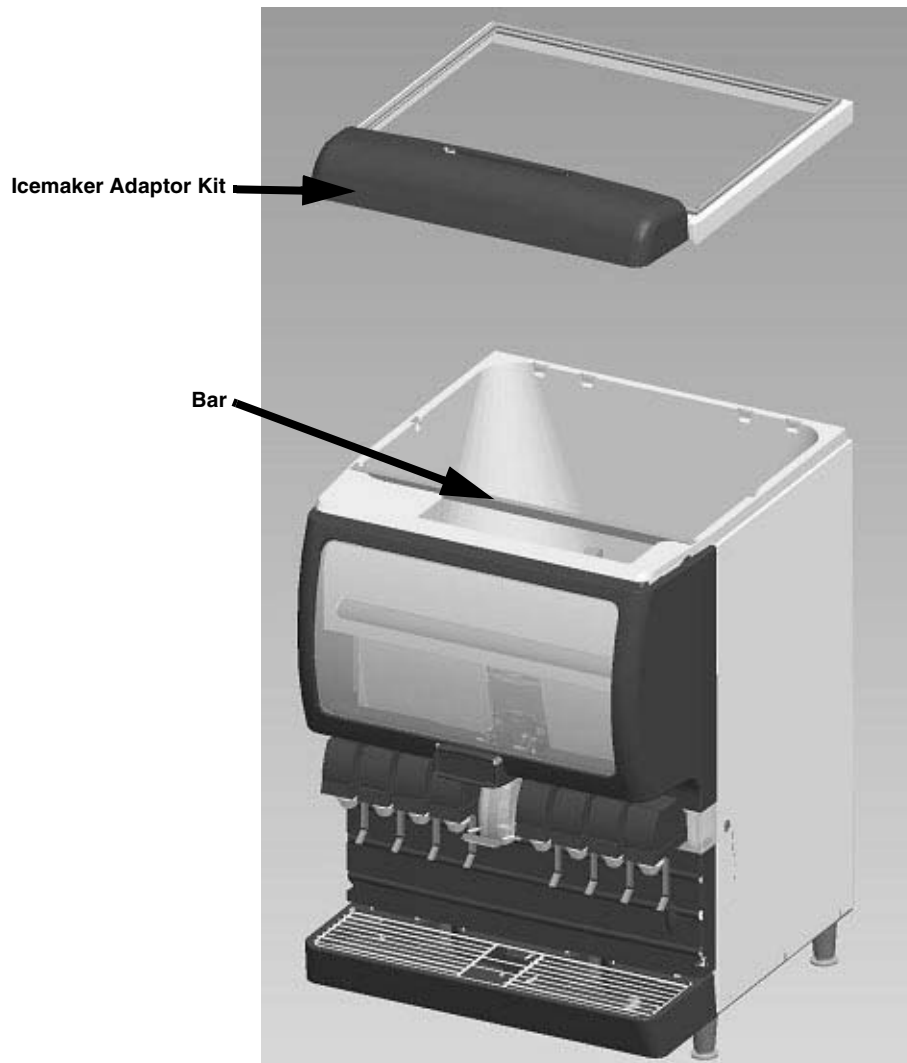


FIGURE 1

1. Place bar into first set of pockets inside the ice bin.
2. Place Icemaker Adaptor Kit on top of unit.
3. Place icemaker on top of kit. **DO NOT** slide icemaker into position on the lid.
4. Apply a continuous bead of NSF International (NSF) listed silastic sealant (Dow 732 or equivalent), supplied in kit to seal the icemaker to the top of the adapter kit. All excess sealant must be wiped away immediately.
5. Secure the icemaker to the adapter by drilling 9/64" diameter holes, using one of the two brackets supplied in the kit, into both the rear of the icemaker and rear of the icemaker adapter kit. Use extreme care not to drill into any icemaker components!!! Secure the brackets using the screws provided.

- Assemble bin stat to icemaker, as shown. The bin stat must not interfere with the agitator rotation and not be in the path of ice falling from the icemaker.

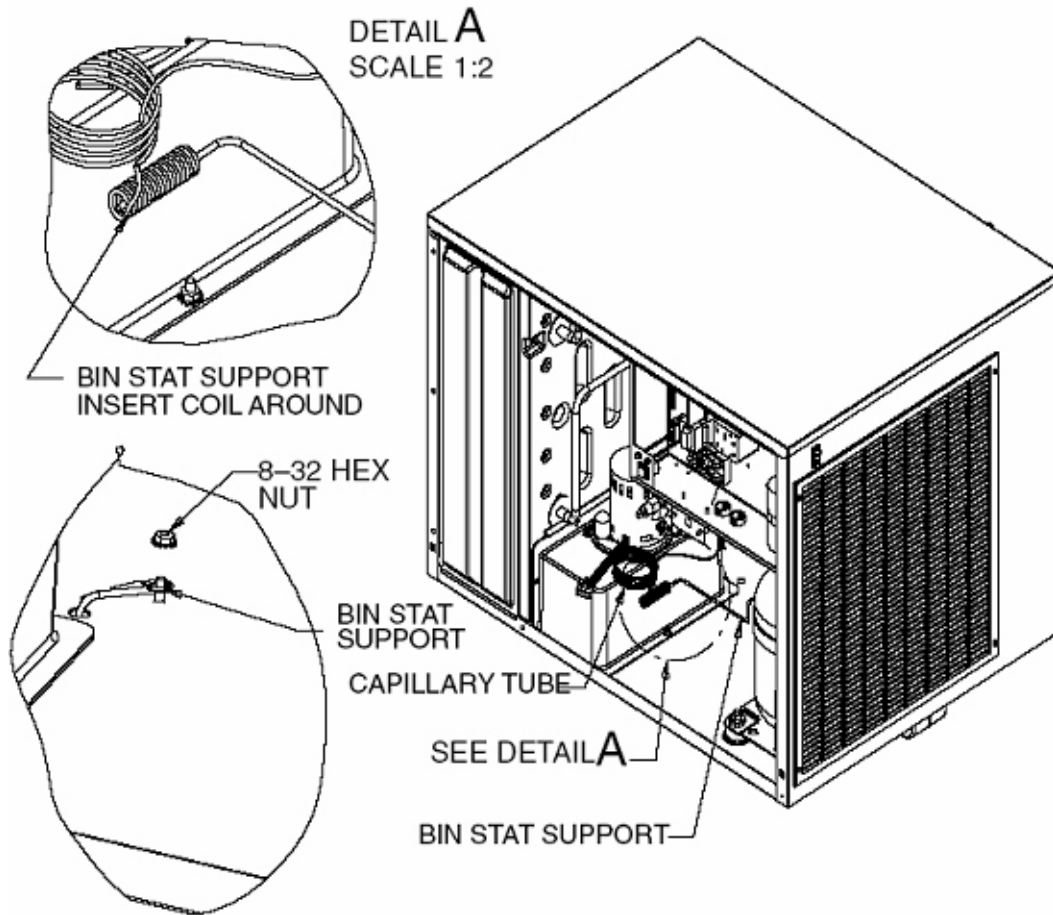


FIGURE 2. BIN STAT ASSEMBLY

- For optimal performance, do not fill ice bin more than 2/3 capacity (maximum fill is 4" below top of bin). Applies to IDC 255 models only.

Free Manuals Download Website

<http://myh66.com>

<http://usermanuals.us>

<http://www.somanuals.com>

<http://www.4manuals.cc>

<http://www.manual-lib.com>

<http://www.404manual.com>

<http://www.luxmanual.com>

<http://aubethermostatmanual.com>

Golf course search by state

<http://golfingnear.com>

Email search by domain

<http://emailbydomain.com>

Auto manuals search

<http://auto.somanuals.com>

TV manuals search

<http://tv.somanuals.com>