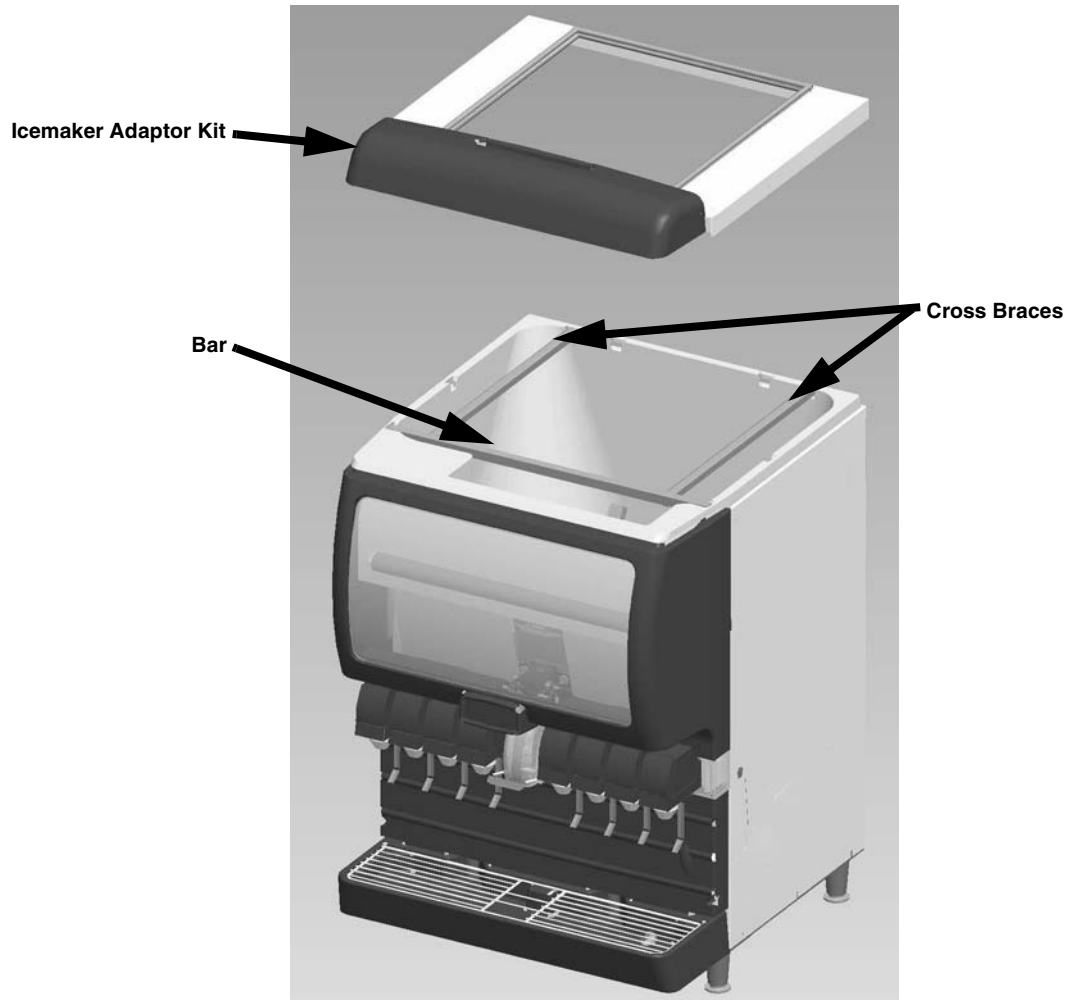


# INSTALLATION INSTRUCTIONS

## IDC 255 ICEMAKER ADAPTOR KIT FOR P/N 629088756 (FOR HOSHIZAKI KITS)



**FIGURE 1**

1. Place bar into first set of pockets inside the ice bin.
2. Hook cross braces over top of bar and place into outer pockets inside the ice bin (at back end).
3. Place the icemaker adaptor kit on top of unit.

4. Place the icemaker on top of kit and adjust it so that only 3.096" of it protrude outside the IDC wrapper, as shown in FIGURE 2. DO NOT slide icemaker into position on the lid.

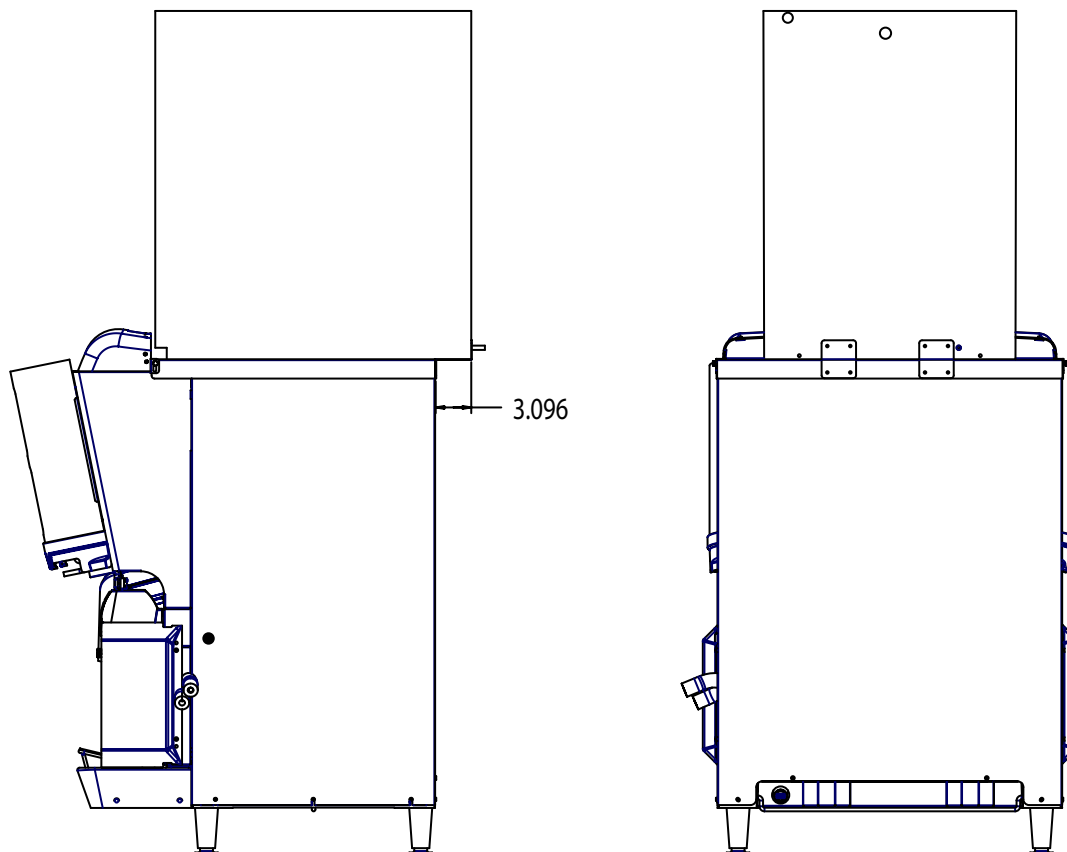


FIGURE 2

5. Apply a continuous bead of NSF International (NSF) listed silastic sealant (Dow 732 or equivalent), supplied in kit to seal the icemaker to the top of the adapter kit. All excess sealant must be wiped away immediately.
6. Secure the icemaker to the adapter by drilling 9/64" diameter holes, using one of the two brackets supplied in the kit, into both the rear of the icemaker and rear of the icemaker adapter kit. Use extreme care not to drill into any icemaker components!!! Secure the brackets using the screws provided.
7. For optimal performance, do not fill ice bin more than 2/3 capacity (maximum fill is 4" below top of bin). Applies to IDC 255 models and nugget ice only.

**NOTE: Adaptor kits are only approved for top mounting a single icemaker.**

## Free Manuals Download Website

<http://myh66.com>

<http://usermanuals.us>

<http://www.somanuals.com>

<http://www.4manuals.cc>

<http://www.manual-lib.com>

<http://www.404manual.com>

<http://www.luxmanual.com>

<http://aubethermostatmanual.com>

Golf course search by state

<http://golfingnear.com>

Email search by domain

<http://emailbydomain.com>

Auto manuals search

<http://auto.somanuals.com>

TV manuals search

<http://tv.somanuals.com>