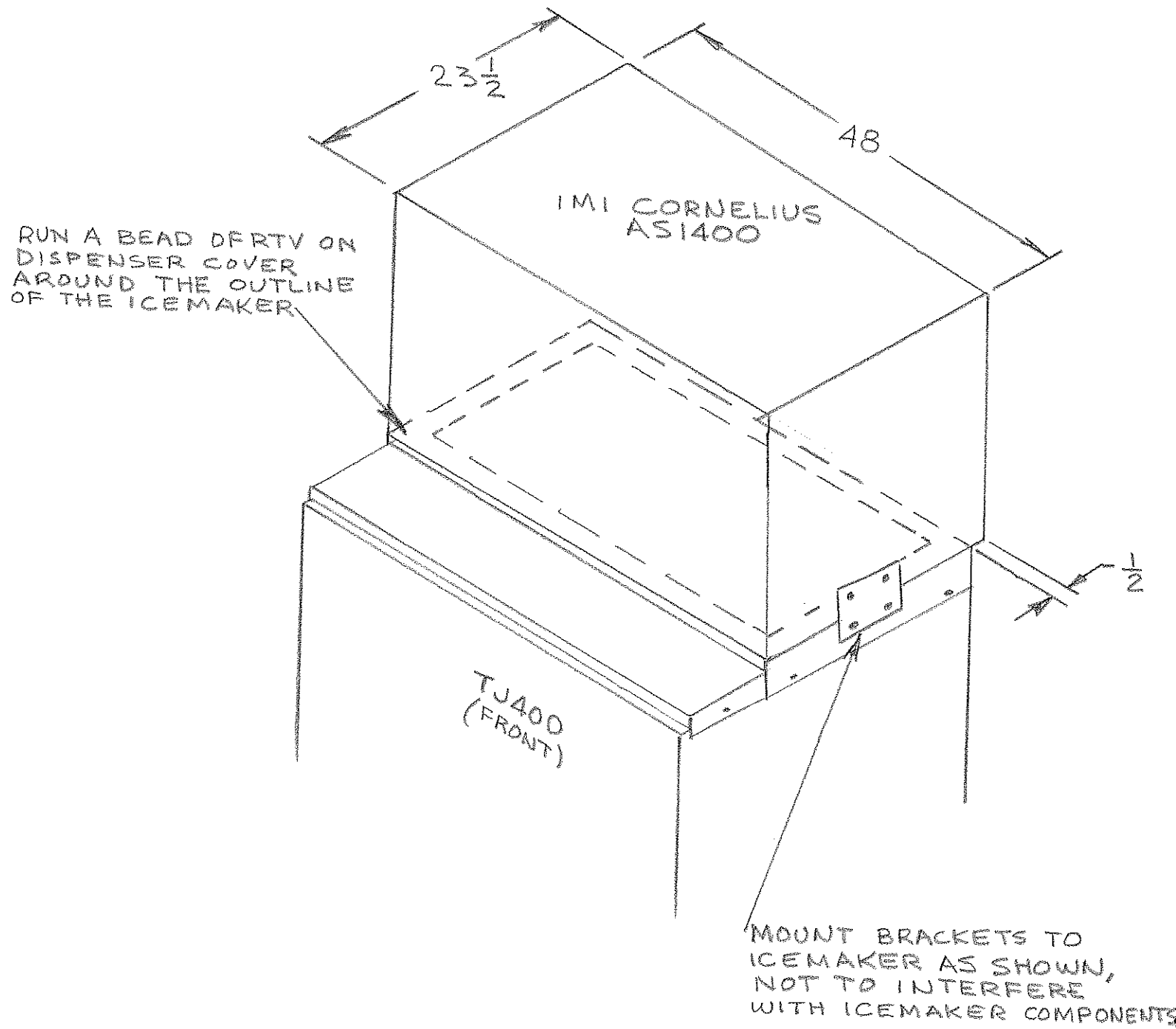


Kit 2240

Installations Instructions IMI Cornelius AS1400 on a REMCOR® Model TJ400 Dispenser

1. Seal Icemaker to top cover of dispenser as follows.
 - a) Locate outline of icemaker on dispenser cover as shown in attached sketch.
 - b) Run a bead of RTV around the inside of the icemaker outline on the cover.
 - c) Position the icemaker on the dispenser cover.
 - d) Wipe away any excess RTV immediately.
 - e) Locate mounting brackets on dispenser. Drill .136 diameter holes into ice maker panels, and use sheet metal screws provided for securing brackets. (Drilling must not interfere with icemaker components).
2. Follow the icemaker manufacturer's instructions to complete the installation. Check that the ice level control bracket does not interfere with the agitator in the dispenser ice storage hopper. Adjust the icemaker control for proper ice level.

91645
1 of 2
REV B



91645
2 of 2

Free Manuals Download Website

<http://myh66.com>

<http://usermanuals.us>

<http://www.somanuals.com>

<http://www.4manuals.cc>

<http://www.manual-lib.com>

<http://www.404manual.com>

<http://www.luxmanual.com>

<http://aubethermostatmanual.com>

Golf course search by state

<http://golfingnear.com>

Email search by domain

<http://emailbydomain.com>

Auto manuals search

<http://auto.somanuals.com>

TV manuals search

<http://tv.somanuals.com>