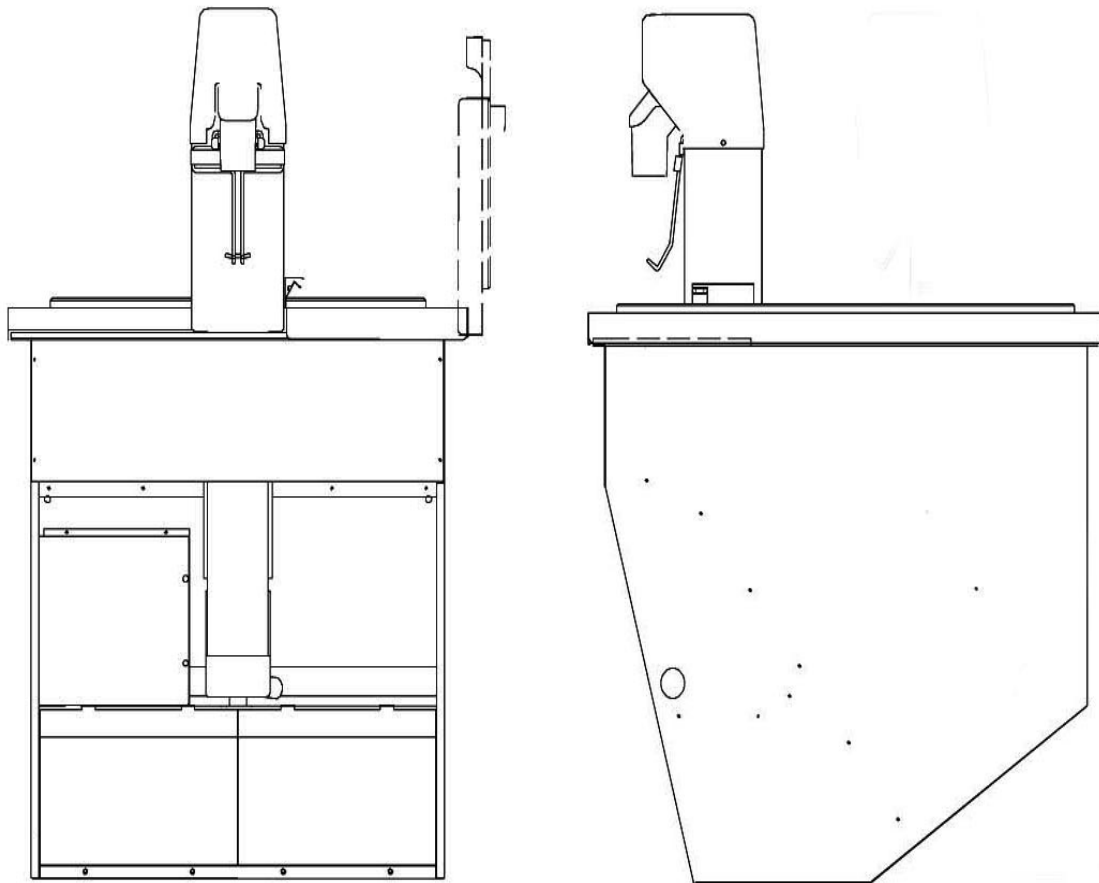




# MODEL: UC 150 ICE DISPENSER

## Installation Manual



Revision Date: August, 1999

Publication Number: 620917312

Revision Date: August 3, 2010

Revision: C

Visit the IMI Cornelius web site at [www.cornelius.com](http://www.cornelius.com) for all your Literature needs.

The products, technical information, and instructions contained in this manual are subject to change without notice. These instructions are not intended to cover all details or variations of the equipment, nor to provide for every possible contingency in the installation, operation or maintenance of this equipment. This manual assumes that the person(s) working on the equipment have been trained and are skilled in working with electrical, plumbing, pneumatic, and mechanical equipment. It is assumed that appropriate safety precautions are taken and that all local safety and construction requirements are being met, in addition to the information contained in this manual.

This Product is warranted only as provided in Cornelius' Commercial Warranty applicable to this Product and is subject to all of the restrictions and limitations contained in the Commercial Warranty.

Cornelius will not be responsible for any repair, replacement or other service required by or loss or damage resulting from any of the following occurrences, including but not limited to, (1) other than normal and proper use and normal service conditions with respect to the Product, (2) improper voltage, (3) inadequate wiring, (4) abuse, (5) accident, (6) alteration, (7) misuse, (8) neglect, (9) unauthorized repair or the failure to utilize suitably qualified and trained persons to perform service and/or repair of the Product, (10) improper cleaning, (11) failure to follow installation, operating, cleaning or maintenance instructions, (12) use of "non-authorized" parts (i.e., parts that are not 100% compatible with the Product) which use voids the entire warranty, (13) Product parts in contact with water or the product dispensed which are adversely impacted by changes in liquid scale or chemical composition.

### **Contact Information:**

To inquire about current revisions of this and other documentation or for assistance with any Cornelius product contact:

**[www.cornelius.com](http://www.cornelius.com)**

**800-238-3600**

### **Trademarks and Copyrights:**

This document contains proprietary information and it may not be reproduced in any way without permission from Cornelius.

Printed in U.S.A.



# TABLE OF CONTENTS

<b>Safety Instructions</b> .....	<b>1</b>
Read and Follow ALL Safety Instructions .....	1
Safety Overview .....	1
Recognition .....	1
Different Types of Alerts .....	1
Safety Tips .....	1
Qualified Service Personnel .....	1
Safety Precautions .....	2
Shipping And Storage .....	2
CO2 (Carbon Dioxide) Warning .....	2
Mounting in or on a Counter .....	2
<b>Description</b> .....	<b>3</b>
Specifications .....	3
<b>Installation Instructions</b> .....	<b>5</b>
Torsion Bar Removal .....	5



# SAFETY INSTRUCTIONS

## READ AND FOLLOW ALL SAFETY INSTRUCTIONS

### Safety Overview

- Read and follow **ALL SAFETY INSTRUCTIONS** in this manual and any warning/caution labels on the unit (decals, labels or laminated cards).
- Read and understand **ALL** applicable OSHA (Occupational Safety and Health Administration) safety regulations before operating this unit.

### Recognition

#### *Recognize Safety Alerts*



*This is the safety alert symbol. When you see it in this manual or on the unit, be alert to the potential of personal injury or damage to the unit.*

## DIFFERENT TYPES OF ALERTS

### **DANGER:**

Indicates an immediate hazardous situation which if not avoided **WILL** result in serious injury, death or equipment damage.

### **WARNING:**

Indicates a potentially hazardous situation which, if not avoided, **COULD** result in serious injury, death, or equipment damage.

### **CAUTION:**

Indicates a potentially hazardous situation which, if not avoided, **MAY** result in minor or moderate injury or equipment damage.

## SAFETY TIPS

- Carefully read and follow all safety messages in this manual and safety signs on the unit.
- Keep safety signs in good condition and replace missing or damaged items.
- Learn how to operate the unit and how to use the controls properly.
- **Do not** let anyone operate the unit without proper training. This appliance is **not** intended for use by very young children or infirm persons without supervision. Young children should be supervised to ensure that they do not play with the appliance.
- Keep your unit in proper working condition and do not allow unauthorized modifications to the unit.

## QUALIFIED SERVICE PERSONNEL

### **WARNING:**

Only trained and certified electrical, plumbing and refrigeration technicians should service this unit. **ALL WIRING AND PLUMBING MUST CONFORM TO NATIONAL AND LOCAL CODES. FAILURE TO COMPLY COULD RESULT IN SERIOUS INJURY, DEATH OR EQUIPMENT DAMAGE.**

## SAFETY PRECAUTIONS

This unit has been specifically designed to provide protection against personal injury. To ensure continued protection observe the following:

### **WARNING:**

Disconnect power to the unit before servicing following all lock out/tag out procedures established by the user. Verify all of the power is off to the unit before any work is performed.

Failure to disconnect the power could result in serious injury, death or equipment damage.

### **CAUTION:**

Always be sure to keep area around the unit clean and free of clutter. Failure to keep this area clean may result in injury or equipment damage.

## SHIPPING AND STORAGE

### **CAUTION:**

Before shipping, storing, or relocating the unit, the unit must be sanitized and all sanitizing solution must be drained from the system. A freezing ambient environment will cause residual sanitizing solution or water remaining inside the unit to freeze resulting in damage to internal components.

## CO<sub>2</sub> (CARBON DIOXIDE) WARNING

### **DANGER:**

CO<sub>2</sub> displaces oxygen. Strict attention **MUST** be observed in the prevention of CO<sub>2</sub> gas leaks in the entire CO<sub>2</sub> and soft drink system. If a CO<sub>2</sub> gas leak is suspected, particularly in a small area, **IMMEDIATELY** ventilate the contaminated area before attempting to repair the leak. Personnel exposed to high concentrations of CO<sub>2</sub> gas experience tremors which are followed rapidly by loss of consciousness and **DEATH**.

## MOUNTING IN OR ON A COUNTER

### **WARNING:**

When installing the unit in or on a counter top, the counter must be able to support a weight in excess of 350 lbs. to insure adequate support for the unit. **FAILURE TO COMPLY COULD RESULT IN SERIOUS INJURY, DEATH OR EQUIPMENT DAMAGE.**

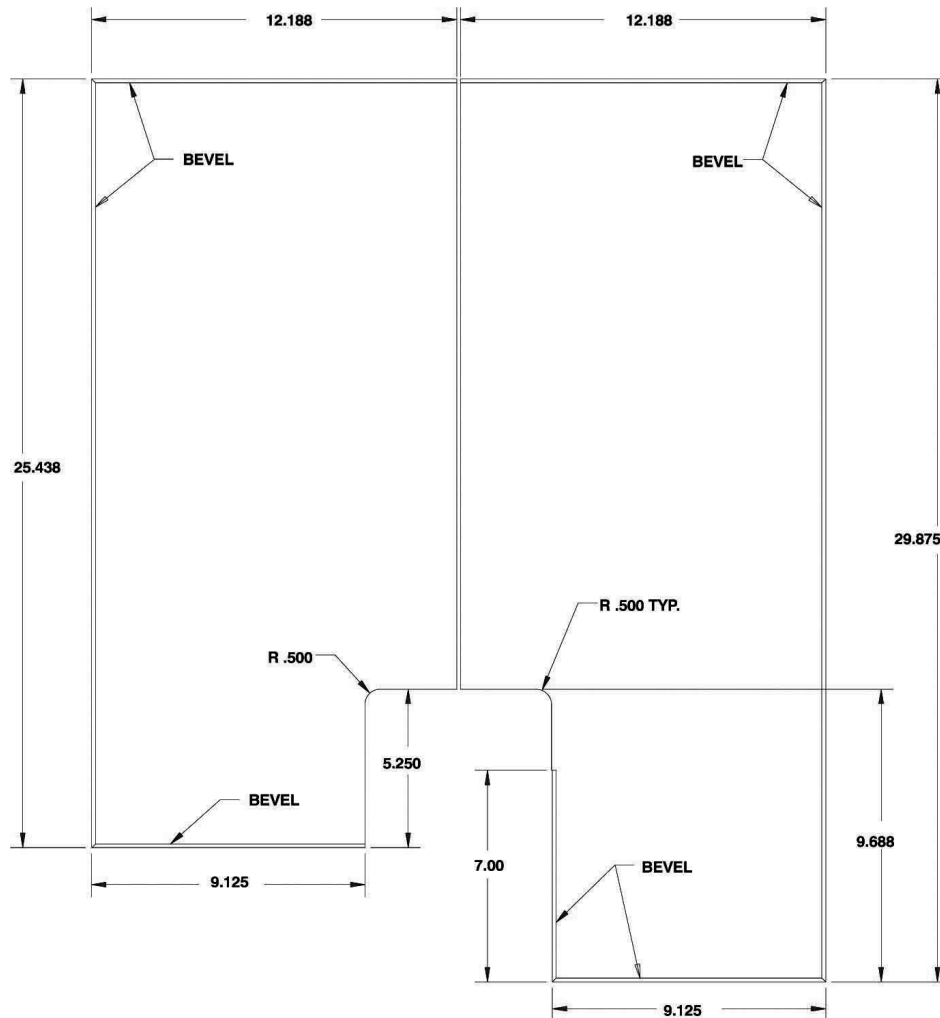
**NOTE: Many units incorporate the use of additional equipment such as ice makers. When any addition equipment is used you must check with the equipment manufacturer to determine the additional weight the counter will need to support to ensure a safe installation.**

# DESCRIPTION

The Under counter ice dispenser solves your ice service needs in a sanitary, space saving, economical way. Designed to be manually filled with ice this dispenser will dispense cubes (up to 1-1/4" in size), cube lets and hard chipped or cracked ice.

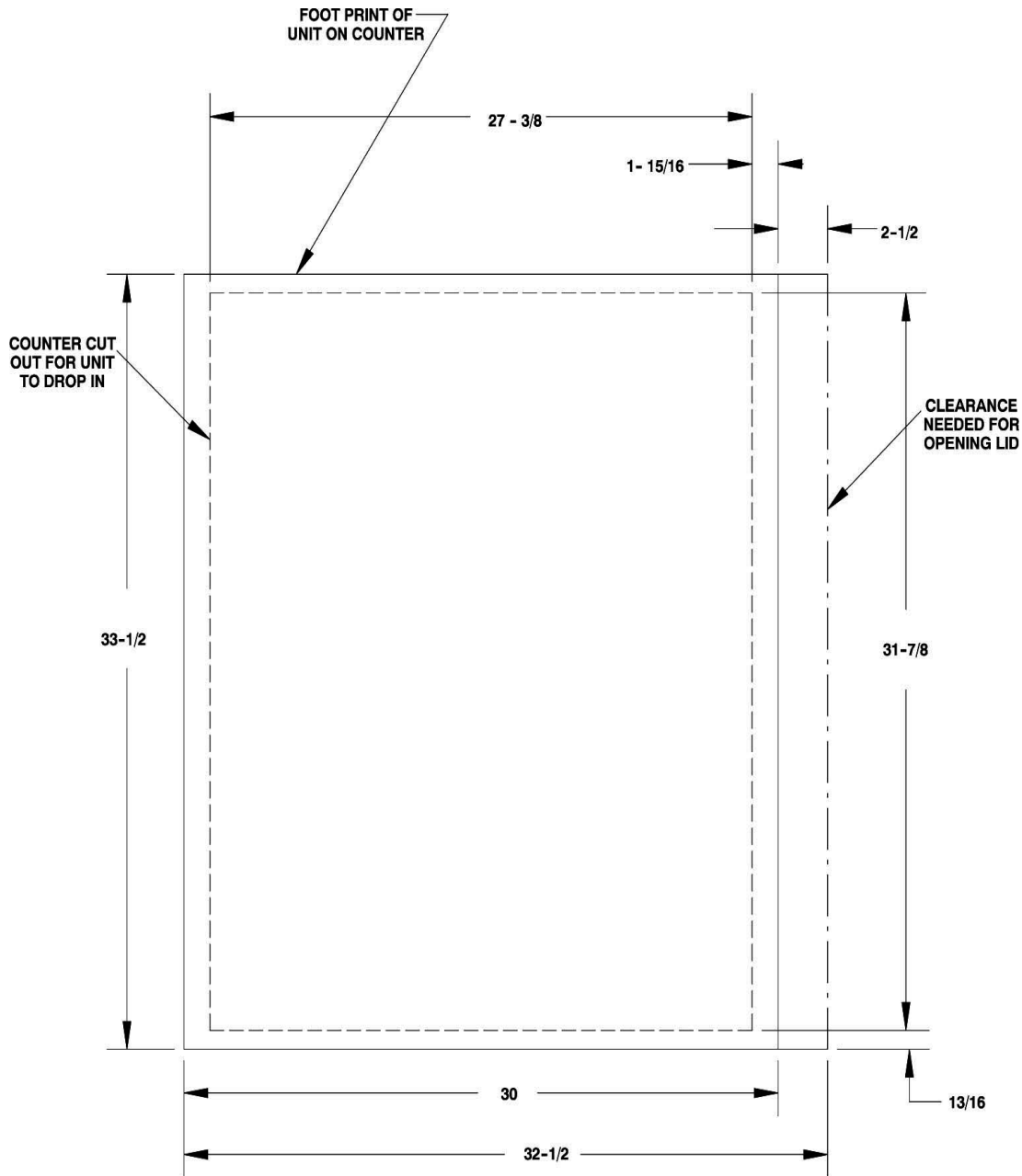
## SPECIFICATIONS

Model:	UC150
Ice Storage:	150lbs
Electrical:	120/1/60, 3 amps total unit draw
Dimensions:	30" wide X 33-5/8" Deep X 27" Below Counter 16-9/16" Above Counter Respectively



CORIAN IS CUT FROM COUNTER AND IS REWORKED AS SHOWN ABOVE BEFORE BEING GLUED TO UC 150 DOOR LIDS

Figure 1. Corian Top Template



THE ABOVE FIGURE SHOWS THE REQUIRED CUTOUT FOR PLACING THE ICE DISPENSER INTO A COUNTER TOP. THE DOTTED LINE IS THE ACTUAL CUTOUT DIMENSIONS WHILE THE SOLID LINE SHOWS THE AMOUNT OF OVERHANG FOR THE DISPENSER.

**Figure 2. Counter Cutout Dimensions Template**



# INSTALLATION INSTRUCTIONS

## WARNING:

It is the responsibility of the installer to ensure that the water supply to the dispensing equipment is provided with protection against backflow by an air gap as defined in ANSI/ASME A112. 1.2-1976; or an approved vacuum breaker or other such method as proved effective by test and must comply with all federal, state and local codes.

### **Failure to comply could result in serious injury, death or damage to the equipment.**

Water pipe connections and fixtures directly connected to a potable water supply shall be sized, installed, and maintained according to federal, state and local laws.

1. Locate the dispenser indoors on a level counter top.

#### A. COUNTER MOUNTING

The ice dispenser must be sealed to the counter. The template drawing indicates the opening that must be cut in the counter. Locate the desired position for the dispenser, then mark the outline dimensions on the counter using the template drawings. Cut openings in counter.

Apply a continuous bead of NSF International (NSF) listed silastic sealant (Dow 732 or equal) approximately 1/4" inside of the unit outline dimensions and around all openings. Then, position the unit on the counter within the outline dimensions. All excess sealant must be wiped away immediately.

2. HOPPER DRAIN ASSEMBLY

A. Clean the hopper interior (see CLEANING INSTRUCTIONS in Operator's Manual).

B. Connect the power cord to a 120 volt, 60 cycle, 15-Amp, 3--wire grounded receptacle.

3. The drain tubes are routed through the large opening in the bottom of the unit. The power cord is routed through the holes in either side of the unit.

A. Use 3/4" nominal plastic pipe.

B. To assure proper drainage, do not allow "trap" to form in drain line. Be sure drain line runs with a pitch of 1" per foot.

4. SINK DRAIN ASSEMBLY: Connect the drain tube to an open drain. The drain tube must continuously pitch downward and contain no "traps" or improper drainage will result.

## TORSION BAR REMOVAL

The hinged door as shipped from the factory is set up for the mounting of Corian on the top. If Corian not used, it is recommended that the rear torsion bar be removed to decrease the spring force.

To accomplish this task, perform the following procedure:

1. Remove (Balloon Item 46) Ice Deflector by removing the three knurled screws that hold the Ice Deflector in place.
2. Break the RTV seal that holds the polymeric inner lid in place. This should be done with a sharp instrument.
3. Gently pry the inner lid out of the stainless steel cover.
4. Now that the complete Torsion Bar Assembly is visible, locate the Counter Balance Pivot which is balloon Item 71. Using an 11/32" socket or equivalent, remove the two 8-32 hex nuts.
5. Carefully pry the pivot up and away from the mounting studs. As you do this, the torsion shafts will move along with the pivot.
6. Once the pivot is free of the studs, moving it a little further towards you should allow the torsion shafts to come free of the pivot.
7. You should be able to grab the rear torsion bar at this time and pull away from the end that is captured in the sheet metal bracket.
8. Reverse the steps to reassemble the door.
9. RTV liner back in place.

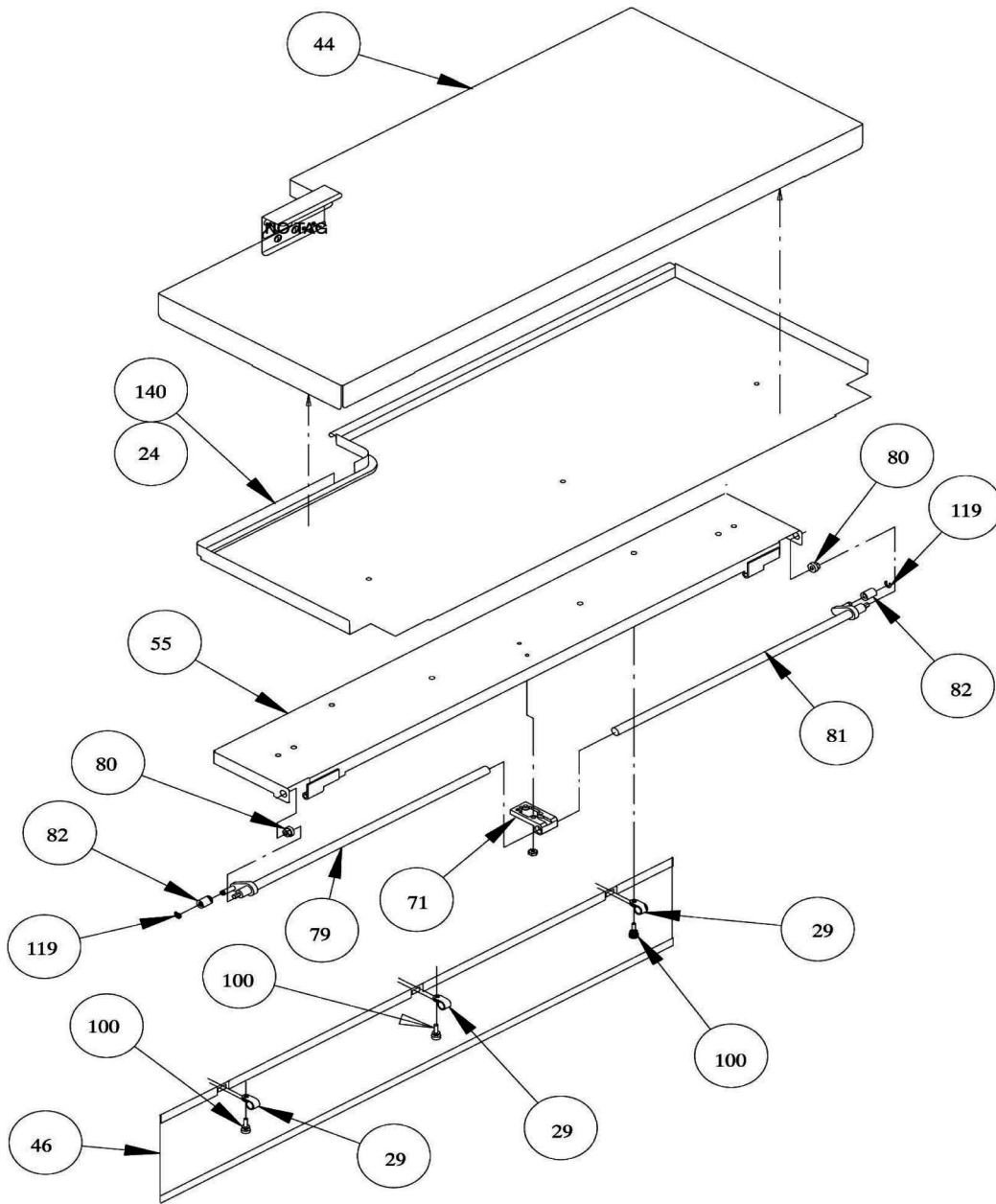


Figure 3. Torsion Bar Removal

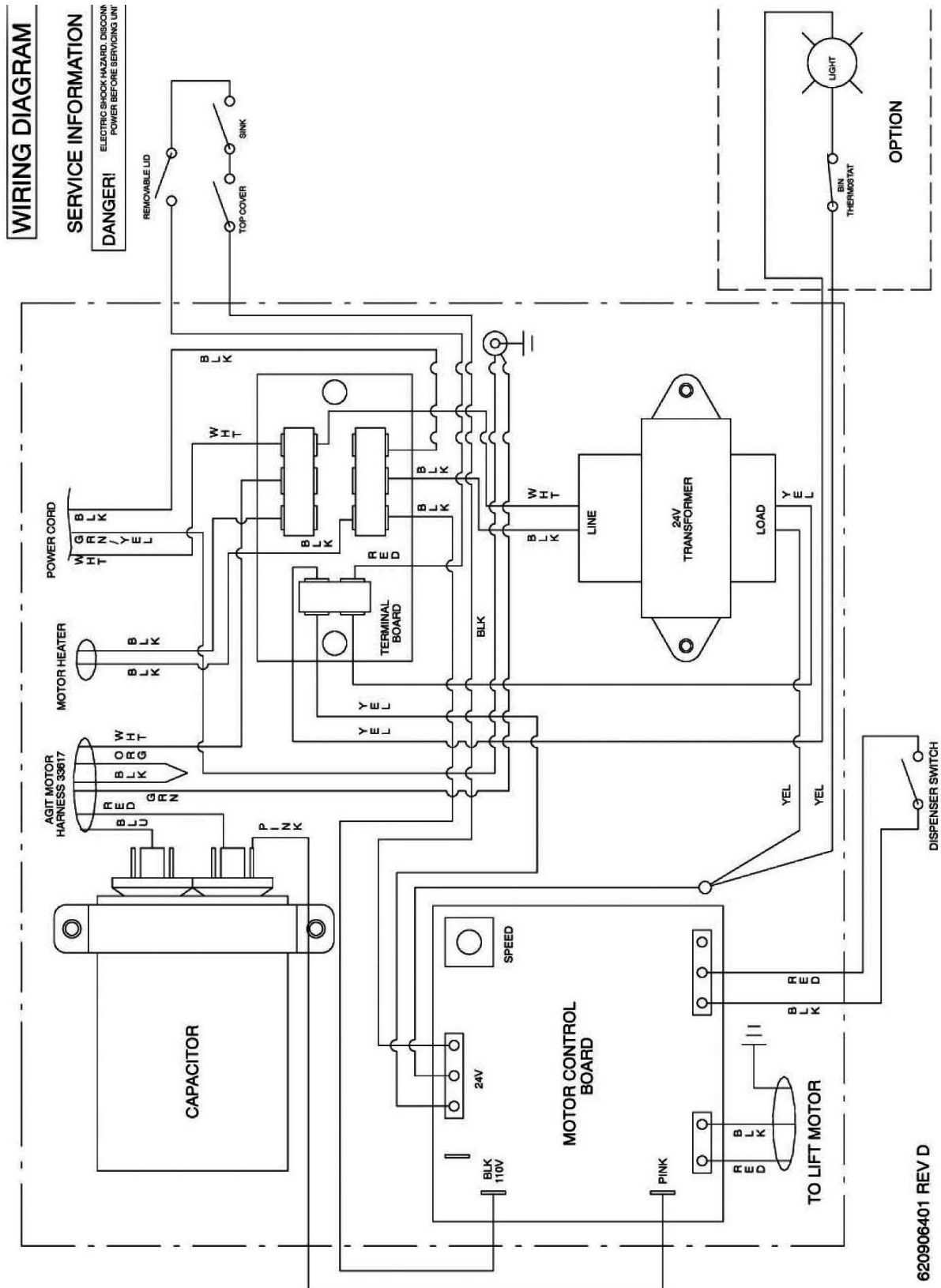
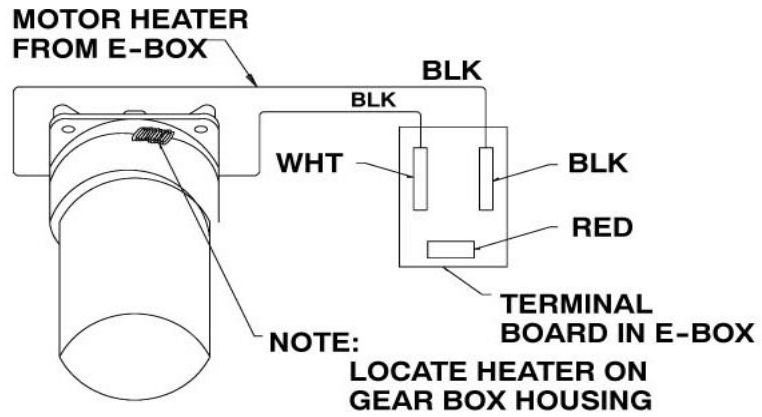
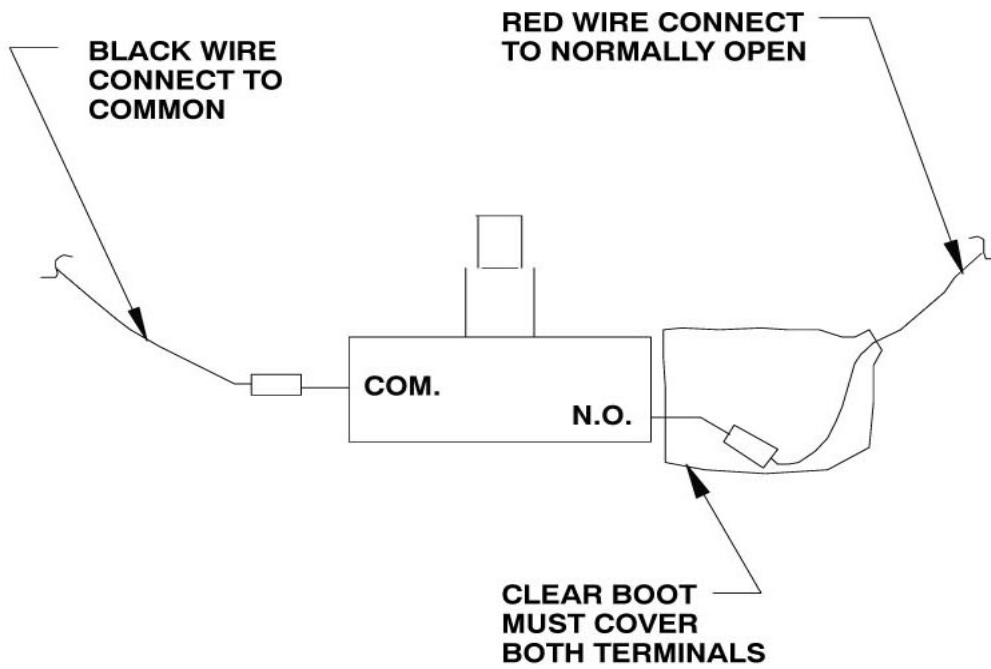


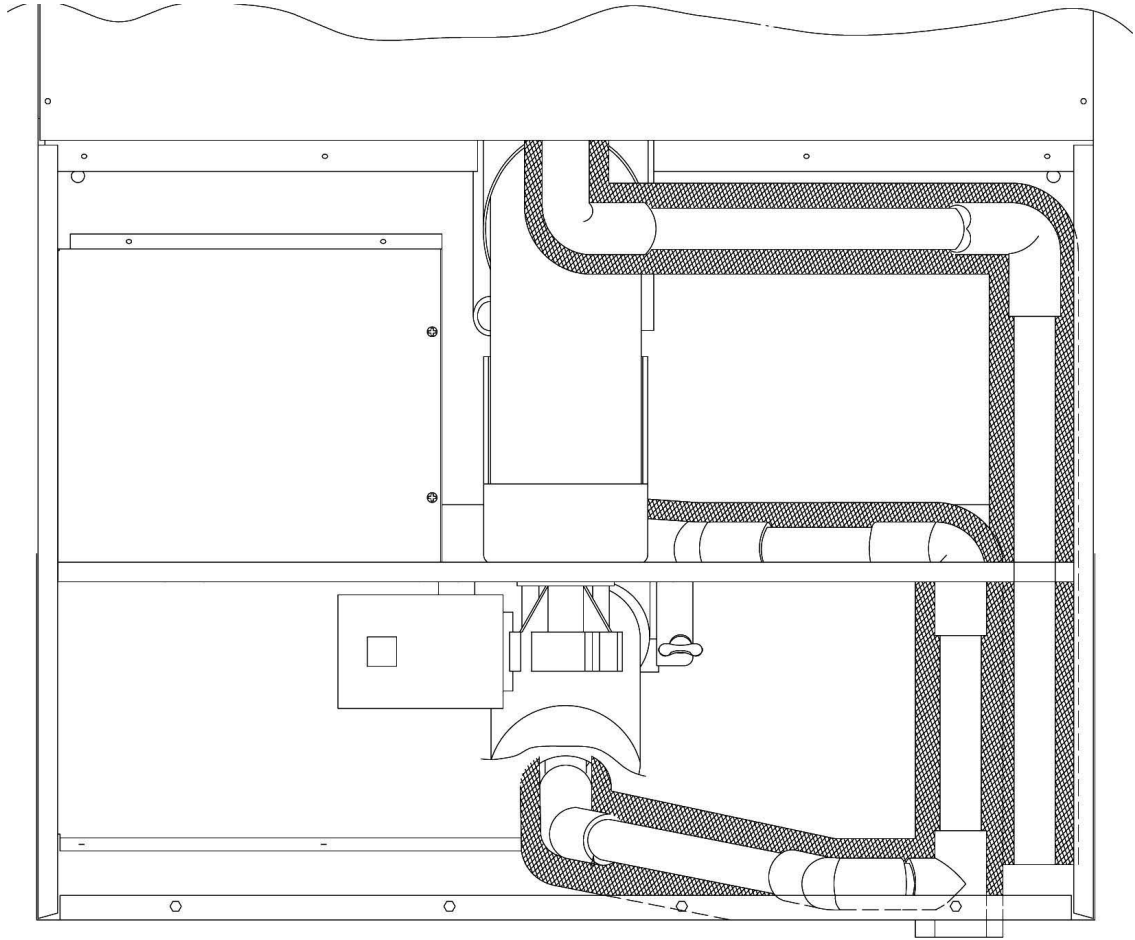
Figure 4. Wiring Diagram



**AGITATOR MOTOR HEATER WIRING DETAIL**



**Figure 5. Agitator Motor and Dispense Switch Wiring Detail**



**Figure 6. UC 150 Plumbing**





**IMI Cornelius Inc.**  
**[www.cornelius.com](http://www.cornelius.com)**



## Free Manuals Download Website

<http://myh66.com>

<http://usermanuals.us>

<http://www.somanuals.com>

<http://www.4manuals.cc>

<http://www.manual-lib.com>

<http://www.404manual.com>

<http://www.luxmanual.com>

<http://aubethermostatmanual.com>

Golf course search by state

<http://golfingnear.com>

Email search by domain

<http://emailbydomain.com>

Auto manuals search

<http://auto.somanuals.com>

TV manuals search

<http://tv.somanuals.com>