

ICE SYSTEMS

BUILT

FOR

THE

LONG

HAUL.



BUILT FOR

BUYING AN ICE MACHINE IS A DECISION YOU WILL LIVE WITH FOR A LONG TIME. FOR THE MONEY, YOU WANT AN ICE MACHINE THAT DELIVERS MORE PERFORMANCE FOR LESS COST, OVER A LONGER PERIOD OF TIME. YOU WANT CORNELIUS.

EFFICIENT WATER/ELECTRICAL

Compressors and condensers are matched precisely to provide the perfect balance between water and electrical use. All solid-state circuitry maximizes reliability.

IMPROVED SERVICEABILITY

A self-insulating ABS evaporator housing offers worry-free durability.

FLEXIBLE CAPACITIES

22", 27", 30", 44" and 48" cabinet sizes with capacities ranging from 200 to 2,500 lbs. per day.

FUTURE PROOF™ REFRIGERANTS

Our ice machines are engineered with Future Proof™, zero ozone depleting refrigerants.

LIMITED LIFETIME WARRANTY*

Stainless steel panels and frames are guaranteed against corrosion for life.

*See warranty for details.

THE LONG HAUL.

Self-Insulated
ABS Evaporator
Housing

Nickel-Plated
Copper Evaporator

Insulated,
Double-Wall
Bulkhead

In-Line
Water Pump

Microban®
Antimicrobial
Product Protection

Programmable Water
Control

Quick-Change
Merchandising Panel

Front-Mounted LED

Future Proof R-404a
Refrigerant

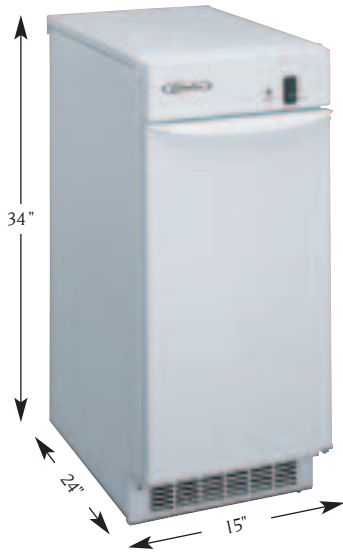
Exclusive Ice
Harvest System

Front Serviceable



*See warranty for details.

SERIES 50†



ACS50

DIMENSIONS/CAPACITY

| Model Number | Nominal Capacity | Dimensions | Cabinet Finish |
|--------------|------------------|-----------------------|----------------|
| ACS50 | 46 lbs. | 15" w x 24" d x 34" h | E |

ARI CERTIFIED PERFORMANCE

| Model Number | Ice Harvest Rate lbs. per 24 hrs. | Potable Water Use per 100 lbs. | KWH Consumption per 100 lbs. | Condenser Water Use per 100 lbs. | Capacity Storage Bin (lbs.) |
|--------------|-----------------------------------|--------------------------------|------------------------------|----------------------------------|-----------------------------|
| ACS50 | 38 | 38.5 | 14.3 | n/a | 25 |

Rated in accordance with ARI Standard 810-91 and 820-88.

PRODUCTION CHART

| AIR-COOLED | | | |
|---------------|------------------------|---------|---------|
| Air Temp (°F) | Water Temperature (°F) | | |
| | 50 | 70 | 80 |
| 70 | 46 lbs. | 41 lbs. | 40 lbs. |
| 80 | 44 lbs. | 40 lbs. | 40 lbs. |
| 90 | 42 lbs. | 38 lbs. | 35 lbs. |

SPECIFICATIONS

| SPECIFICATIONS | | | | | | | | OPERATING LIMITS | | | |
|----------------|------------|------------------|---------------------|------------------|-------------------|-----------------|------------------|---------------------|-------------------|----------------|---------------|
| Model Number | Condenser | Refrigerant Type | Standard Electrical | Circuit Capacity | Maximum Fuse Size | Shipping Weight | Operating Weight | Ambient Temperature | Water Temperature | Water Pressure | Voltage Range |
| ACS50SL | Air-Cooled | R-134a | 115/60/1 | 15 | 15 | 110 lbs. | 100 lbs. | 50°F-100°F | 45°F-90°F | 20-120 psi | 110-126 |

†Limited lifetime warranty not applicable to this model.

SERIES 200



IACS224

DIMENSIONS/CAPACITY

| Model Number | Nominal Capacity | Dimensions | Cabinet Finish |
|-----------------|------------------|-----------------------|----------------|
| IACS224/IWCS224 | 251 lbs | 24" w x 24" d x 39" h | Polyethylene |
| IACS227/IWCS227 | 326 lbs | 27" w x 28" d x 39" h | SS |

ARI CERTIFIED PERFORMANCE

| Model Number | Ice Harvest Rate lbs. per 24 hrs. | Potable Water Use per 100 lbs. | KWH Consumption per 100 lbs. | Condenser Water Use per 100 lbs. | Capacity Storage Bin (lbs.) |
|--------------|-----------------------------------|--------------------------------|------------------------------|----------------------------------|-----------------------------|
| IACS224 | 150 | 25.0 | 10.6 | n/a | 77 |
| IWCS224 | 145 | 22.0 | 10.5 | 195 | 77 |
| IACS227 | 240 | 27.0 | 9.8 | n/a | 75 |
| IWCS227 | 240 | 27.0 | 7.6 | 160 | 75 |

Rated in accordance with ARI Standard 810-91 and 820-88.

IACS-224 PRODUCTION CHART

| AIR-COOLED | | | | WATER-COOLED | | | |
|---------------|------------------------|----------|----------|---------------|------------------------|----------|----------|
| Air Temp (°F) | Water Temperature (°F) | | | Air Temp (°F) | Water Temperature (°F) | | |
| | 50 | 70 | 80 | | 50 | 70 | 80 |
| 50 | 251 lbs. | 226 lbs. | 214 lbs. | 50 | 221 lbs. | 179 lbs. | 171 lbs. |
| 70 | 226 lbs. | 198 lbs. | 177 lbs. | 70 | 218 lbs. | 165 lbs. | 155 lbs. |
| 90 | 167 lbs. | 150 lbs. | 137 lbs. | 90 | 164 lbs. | 145 lbs. | 130 lbs. |

IACS-227 PRODUCTION CHART

| AIR-COOLED | | | | WATER-COOLED | | | |
|---------------|------------------------|----------|----------|---------------|------------------------|----------|----------|
| Air Temp (°F) | Water Temperature (°F) | | | Air Temp (°F) | Water Temperature (°F) | | |
| | 50 | 70 | 80 | | 50 | 70 | 80 |
| 50 | 326 lbs. | 295 lbs. | 271 lbs. | 50 | 330 lbs. | 300 lbs. | 270 lbs. |
| 70 | 312 lbs. | 290 lbs. | 267 lbs. | 70 | 310 lbs. | 280 lbs. | 260 lbs. |
| 90 | 263 lbs. | 240 lbs. | 220 lbs. | 90 | 280 lbs. | 240 lbs. | 230 lbs. |

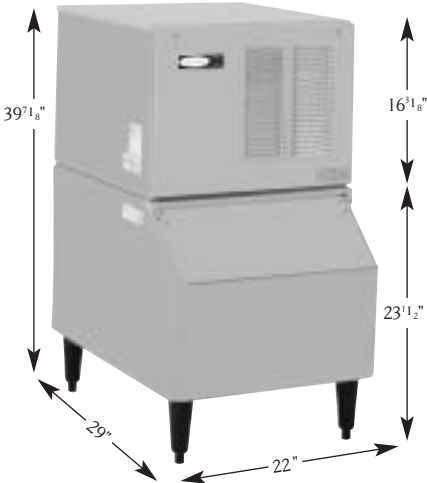
SPECIFICATIONS

| SPECIFICATIONS | | | | | | | | OPERATING LIMITS | | | |
|----------------|--------------|------------------|---------------------|------------------|-------------------|-----------------|------------------|---------------------|-------------------|----------------|---------------|
| Model Number | Condenser | Refrigerant Type | Standard Electrical | Circuit Capacity | Maximum Fuse Size | Shipping Weight | Operating Weight | Ambient Temperature | Water Temperature | Water Pressure | Voltage Range |
| IACS224 | Air-Cooled | R-404a | 115/60/1 | 15 | 15 | 182 lbs. | 146 lbs. | 50°F-100°F | 45°F-90°F | 20-120 psi | 110-126 |
| IWCS224 | Water-Cooled | R-404a | 115/60/1 | 15 | 15 | 182 lbs. | 146 lbs. | 50°F-100°F | 45°F-90°F | 20-120 psi | 110-126 |
| IACS227 | Air-Cooled | R-404a | 115/60/1 | 20 | 20 | 230 lbs. | 198 lbs. | 50°F-100°F | 45°F-90°F | 20-120 psi | 110-126 |
| IWCS227 | Water-Cooled | R-404a | 115/60/1 | 20 | 20 | 230 lbs. | 198 lbs. | 50°F-100°F | 45°F-90°F | 20-120 psi | 110-126 |



IACS227

SERIES 322†



AC322/B122AP

| DIMENSIONS/CAPACITY | | | | PLUMBING | | |
|---------------------|------------------|-------------------------------|----------------|----------------------|------------------------|----------------------------|
| Model Number | Nominal Capacity | Dimensions | Cabinet Finish | Water Inlets/Outlets | Drainhose | Electrical Service Opening |
| AC322 | 359 lbs. | 22" w x 23 1/2" d x 16 3/8" h | SS | 3/8" male flare | 3/16" I.D. x 3/4" O.D. | 7/8" diameter hole |
| WC322 | 341 lbs. | 22" w x 23 1/2" d x 16 3/8" h | SS | 3/8" male flare | 3/16" I.D. x 3/4" O.D. | 7/8" diameter hole |

| ARI CERTIFIED PERFORMANCE | | | | |
|---------------------------|-----------------------------------|--------------------------------|------------------------------|----------------------------------|
| Model Number | Ice Harvest Rate lbs. per 24 hrs. | Potable Water Use per 100 lbs. | KWH Consumption per 100 lbs. | Condenser Water Use per 100 lbs. |
| AC322 | 270 | 23.9 | 8.7 | n/a |
| WC322 | 270 | 23.9 | 8.7 | 170 |

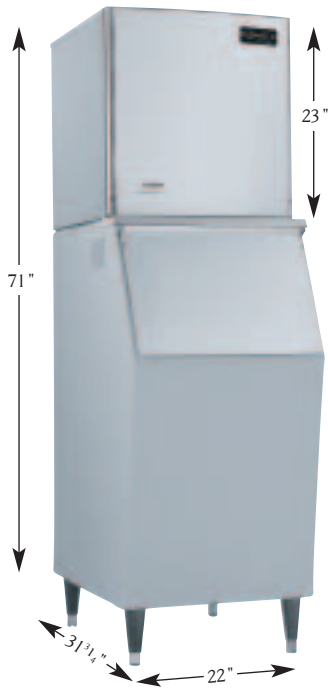
Rated in accordance with ARI Standard 810-91.

| PRODUCTION CHART | | | | | | | |
|------------------|------------------------|----------|----------|---------------|------------------------|----------|----------|
| AIR-COOLED | | | | WATER-COOLED | | | |
| Air Temp (°F) | Water Temperature (°F) | | | Air Temp (°F) | Water Temperature (°F) | | |
| | 50 | 70 | 80 | | 50 | 70 | 80 |
| 50 | 359 lbs. | 321 lbs. | 312 lbs. | 50 | 341 lbs. | 300 lbs. | 281 lbs. |
| 70 | 333 lbs. | 313 lbs. | 277 lbs. | 70 | 326 lbs. | 289 lbs. | 266 lbs. |
| 90 | 305 lbs. | 270 lbs. | 249 lbs. | 90 | 315 lbs. | 270 lbs. | 251 lbs. |

| SPECIFICATIONS | | | | | | | OPERATING LIMITS | | | | |
|----------------|--------------|------------------|---------------------|------------------|-------------------|-----------------|------------------|---------------------|-------------------|----------------|---------------|
| Model Number | Condenser | Refrigerant Type | Standard Electrical | Circuit Capacity | Maximum Fuse Size | Shipping Weight | Operating Weight | Ambient Temperature | Water Temperature | Water Pressure | Voltage Range |
| AC322 | Air-Cooled | R-404a | 115/60/1 | 20 | 20 | 138 lbs. | 122 lbs. | 50°F-100°F | 45°F-90°F | 20-120 psi | 110-126 |
| WC322 | Water-Cooled | R-404a | 115/60/1 | 20 | 20 | 134 lbs. | 118 lbs. | 50°F-100°F | 45°F-90°F | 20-120 psi | 110-126 |

†Limited lifetime warranty does not apply to this model.

SERIES 300 "XTREME"



XAC322/XWC322

| DIMENSIONS/CAPACITY | | | | PLUMBING | | | |
|---------------------|------------------|---------------------------|----------------|----------------------|------------------------|----------------------------|--|
| Model Number | Nominal Capacity | Dimensions | Cabinet Finish | Water Inlets/Outlets | Drainhose | Electrical Service Opening | |
| XAC322 | 342 lbs. | 22" w x 24 1/2" d x 23" h | SS | 3/8" male flare | 3/16" I.D. x 3/4" O.D. | 7/8" diameter hole | |
| XAC330 | 342 lbs. | 30" w x 24 1/2" d x 23" h | SS | 3/8" male flare | 3/16" I.D. x 3/4" O.D. | 7/8" diameter hole | |
| XWC322 | 334 lbs. | 22" w x 24 1/2" d x 23" h | SS | 3/8" male flare | 3/16" I.D. x 3/4" O.D. | 7/8" diameter hole | |
| XWC330 | 334 lbs. | 30" w x 24 1/2" d x 23" h | SS | 3/8" male flare | 3/16" I.D. x 3/4" O.D. | 7/8" diameter hole | |

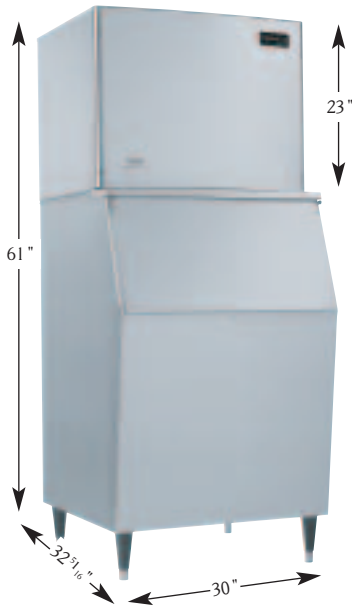
| ARI CERTIFIED PERFORMANCE | | | | |
|---------------------------|-----------------------------------|--------------------------------|------------------------------|----------------------------------|
| Model Number | Ice Harvest Rate lbs. per 24 hrs. | Potable Water Use per 100 lbs. | KWH Consumption per 100 lbs. | Condenser Water Use per 100 lbs. |
| XAC322/XAC330 | 269 | 16.7 | 8.5 | n/a |
| XWC322/XWC330 | 269 | 16.7 | 6.8 | 149 |

Rated in accordance with ARI Standard 810-91.

| PRODUCTION CHART | | | | | | | |
|------------------|------------------------|-----|-----|---------------|------------------------|-----|-----|
| AIR-COOLED | | | | WATER-COOLED | | | |
| Air Temp (°F) | Water Temperature (°F) | | | Air Temp (°F) | Water Temperature (°F) | | |
| | 50 | 70 | 80 | | 50 | 70 | 80 |
| 50 | 342 | 326 | 312 | 50 | 334 | 302 | 292 |
| 70 | 338 | 310 | 304 | 70 | 315 | 287 | 285 |
| 90 | 285 | 269 | 258 | 90 | 299 | 281 | 268 |

| SPECIFICATIONS | | | | | | | OPERATING LIMITS | | | | |
|----------------|--------------|------------------|---------------------|------------------|-------------------|-----------------|------------------|---------------------|-------------------|----------------|---------------|
| Model Number | Condenser | Refrigerant Type | Standard Electrical | Circuit Capacity | Maximum Fuse Size | Shipping Weight | Operating Weight | Ambient Temperature | Water Temperature | Water Pressure | Voltage Range |
| XAC322 | Air-Cooled | R-404a | 115/60/1 | 20 | 20 | 148 lbs. | 123 lbs. | 50°F-100°F | 45°F-90°F | 20-80 psi | 110-126 |
| XWC322 | Water-Cooled | R-404a | 115/60/1 | 20 | 20 | 144 lbs. | 119 lbs. | 50°F-100°F | 45°F-90°F | 20-80 psi | 110-126 |
| XAC330 | Air-Cooled | R-404a | 115/60/1 | 20 | 20 | 163 lbs. | 136 lbs. | 50°F-100°F | 45°F-90°F | 20-80 psi | 110-126 |
| XWC330 | Water-Cooled | R-404a | 115/60/1 | 20 | 20 | 155 lbs. | 128 lbs. | 50°F-100°F | 45°F-90°F | 20-80 psi | 110-126 |

SERIES 500 "XTREME"



XAC522/XAC530

| DIMENSIONS/CAPACITY | | | | PLUMBING | | | |
|---------------------|------------------|---------------------------|----------------|----------------------|------------------------|----------------------------|--|
| Model Number | Nominal Capacity | Dimensions | Cabinet Finish | Water Inlets/Outlets | Drainhose | Electrical Service Opening | |
| XAC522 | 600 lbs. | 22" w x 24 1/2" d x 23" h | SS | 3/8" male flare | 9/16" I.D. x 3/4" O.D. | 7/8" diameter hole | |
| XWC522 | 600 lbs. | 22" w x 24 1/2" d x 23" h | SS | 3/8" male flare | 9/16" I.D. x 3/4" O.D. | 7/8" diameter hole | |
| XRC522 | 540 lbs. | 22" w x 24 1/2" d x 23" h | SS | 3/8" male flare | 9/16" I.D. x 3/4" O.D. | 7/8" diameter hole | |
| XAC530 | 540 lbs. | 30" w x 24 1/2" d x 23" h | SS | 3/8" male flare | 9/16" I.D. x 3/4" O.D. | 7/8" diameter hole | |
| XWC530 | 600 lbs. | 30" w x 24 1/2" d x 23" h | SS | 3/8" male flare | 9/16" I.D. x 3/4" O.D. | 7/8" diameter hole | |
| XRC530 | 600 lbs. | 30" w x 24 1/2" d x 23" h | SS | 3/8" male flare | 9/16" I.D. x 3/4" O.D. | 7/8" diameter hole | |

| ARI CERTIFIED PERFORMANCE | | | | |
|---------------------------|-----------------------------------|--------------------------------|------------------------------|----------------------------------|
| Model Number | Ice Harvest Rate lbs. per 24 hrs. | Potable Water Use per 100 lbs. | KWH Consumption per 100 lbs. | Condenser Water Use per 100 lbs. |
| XAC522/XAC530 | 475 | 17.0 | 6.7 | n/a |
| XWC522/XWC530 | 475 | 17.0 | 5.8 | 133 |
| XRC522/XRC530 | 475 | 17.0 | 6.7 | n/a |

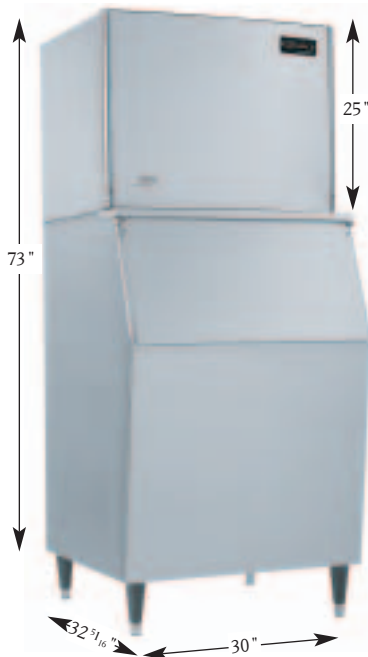
Rated in accordance with ARI Standard 810-91.

| PRODUCTION CHART | | | | | | | | | | | |
|------------------|------------------------|-----|-----|---------------|------------------------|-----|-----|-------------------|------------------------|-----|-----|
| AIR-COOLED | | | | WATER-COOLED | | | | REMOTE AIR-COOLED | | | |
| Air Temp (°F) | Water Temperature (°F) | | | Air Temp (°F) | Water Temperature (°F) | | | Air Temp (°F) | Water Temperature (°F) | | |
| | 50 | 70 | 80 | | 50 | 70 | 80 | | 50 | 70 | 80 |
| 50 | 600 | 596 | 542 | 50 | 540 | 515 | 489 | 50 | 600 | 596 | 542 |
| 70 | 597 | 549 | 536 | 70 | 540 | 494 | 475 | 70 | 597 | 549 | 536 |
| 90 | 513 | 475 | 454 | 90 | 532 | 475 | 454 | 90 | 513 | 475 | 454 |

| SPECIFICATIONS | | | | | | | OPERATING LIMITS | | | | |
|----------------|--------------|------------------|---------------------|------------------|-------------------|-----------------|------------------|---------------------|-------------------|----------------|---------------|
| Model Number | Condenser | Refrigerant Type | Standard Electrical | Circuit Capacity | Maximum Fuse Size | Shipping Weight | Operating Weight | Ambient Temperature | Water Temperature | Water Pressure | Voltage Range |
| XAC522 | Air-Cooled | R-404a | 115/60/1 | 20 | 20 | 162 lbs. | 135 lbs. | 50°F-100°F | 45°F-90°F | 20-80 psi | 110-126 |
| XWC522 | Water-Cooled | R-404a | 115/60/1 | 20 | 20 | 145 lbs. | 117 lbs. | 50°F-100°F | 45°F-90°F | 20-80 psi | 110-126 |
| XRC522 | AC Remote* | R-404a | 115/60/1 | 20 | 20 | 165 lbs. | 141 lbs. | 50°F-100°F | 45°F-90°F | 20-80 psi | 110-126 |
| XAC530 | Air-Cooled | R-404a | 115/60/1 | 20 | 20 | 170 lbs. | 143 lbs. | 50°F-100°F | 45°F-90°F | 20-80 psi | 110-126 |
| XWC530 | Water-Cooled | R-404a | 115/60/1 | 20 | 20 | 153 lbs. | 125 lbs. | 50°F-100°F | 45°F-90°F | 20-80 psi | 110-126 |
| XRC530 | AC Remote* | R-404a | 115/60/1 | 20 | 20 | 180 lbs. | 149 lbs. | 50°F-100°F | 45°F-90°F | 20-80 psi | 110-126 |

* Use Remote Condenser CR-500.

SERIES 600 "XTREME"



XAC630/B530AP

| DIMENSIONS/CAPACITY | | | | PLUMBING | | | |
|---------------------|------------------|---------------------------|----------------|----------------------|------------------------|----------------------------|--|
| Model Number | Nominal Capacity | Dimensions | Cabinet Finish | Water Inlets/Outlets | Drainhose | Electrical Service Opening | |
| XAC630 | 722 lbs. | 30" w x 24 1/2" d x 25" h | SS | 3/8" male flare | 9/16" I.D. x 3/4" O.D. | 7/8" diameter hole | |
| XWC630 | 671 lbs. | 30" w x 24 1/2" d x 25" h | SS | 3/8" male flare | 9/16" I.D. x 3/4" O.D. | 7/8" diameter hole | |
| XRC630 | 722 lbs. | 30" w x 24 1/2" d x 25" h | SS | 3/8" male flare | 9/16" I.D. x 3/4" O.D. | 7/8" diameter hole | |

| ARI CERTIFIED PERFORMANCE | | | | |
|---------------------------|-----------------------------------|--------------------------------|------------------------------|----------------------------------|
| Model Number | Ice Harvest Rate lbs. per 24 hrs. | Potable Water Use per 100 lbs. | KWH Consumption per 100 lbs. | Condenser Water Use per 100 lbs. |
| XAC630 | 547 | 16.3 | 6.9 | n/a |
| XWC630 | 589 | 17.4 | 5.6 | 116 |
| XRC630 | 547 | 16.3 | 6.9 | n/a |

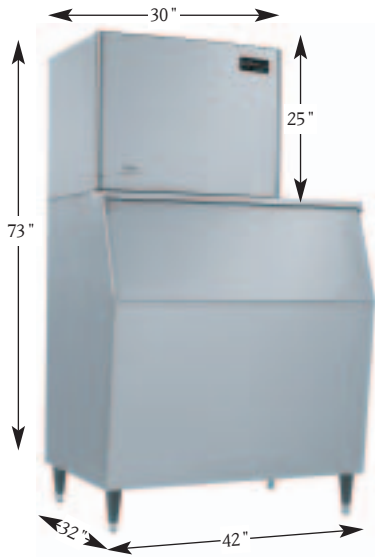
Rated in accordance with ARI Standard 810-91.

| PRODUCTION CHART | | | | | | | | | | | |
|------------------|------------------------|----------|----------|---------------|------------------------|----------|----------|-------------------|------------------------|----------|----------|
| AIR-COOLED | | | | WATER-COOLED | | | | REMOTE AIR-COOLED | | | |
| Air Temp (°F) | Water Temperature (°F) | | | Air Temp (°F) | Water Temperature (°F) | | | Air Temp (°F) | Water Temperature (°F) | | |
| | 50 | 70 | 80 | | 50 | 70 | 80 | | 50 | 70 | 80 |
| 50 | 722 lbs. | 648 lbs. | 634 lbs. | 50 | 671 lbs. | 603 lbs. | 556 lbs. | 50 | 722 lbs. | 648 lbs. | 634 lbs. |
| 70 | 672 lbs. | 609 lbs. | 589 lbs. | 70 | 661 lbs. | 594 lbs. | 551 lbs. | 70 | 672 lbs. | 609 lbs. | 589 lbs. |
| 90 | 606 lbs. | 547 lbs. | 521 lbs. | 90 | 652 lbs. | 589 lbs. | 542 lbs. | 90 | 606 lbs. | 547 lbs. | 521 lbs. |

| SPECIFICATIONS | | | | | | | OPERATING LIMITS | | | | |
|----------------|--------------|------------------|---------------------|------------------|-------------------|-----------------|------------------|---------------------|-------------------|----------------|---------------|
| Model Number | Condenser | Refrigerant Type | Standard Electrical | Circuit Capacity | Maximum Fuse Size | Shipping Weight | Operating Weight | Ambient Temperature | Water Temperature | Water Pressure | Voltage Range |
| XAC630 | Air-Cooled | R-404a | 208/230/60/1 | 20 | 20 | 201 lbs. | 172 lbs. | 50°F-100°F | 45°F-90°F | 20-80 psi | 198-253 |
| XWC630 | Water-Cooled | R-404a | 208/230/60/1 | 20 | 20 | 197 lbs. | 168 lbs. | 50°F-100°F | 45°F-90°F | 20-80 psi | 198-253 |
| XRC630 | AC Remote* | R-404a | 208/230/60/1 | 20 | 20 | 209 lbs. | 180 lbs. | 50°F-100°F | 45°F-90°F | 20-80 psi | 198-253 |

* Use Remote Condenser CR-800.

SERIES 800 "XTREME"



XAC830/B842SS

| DIMENSIONS/CAPACITY | | | | PLUMBING | | |
|---------------------|------------------|------------------------------------|----------------|----------------------------|--|-------------------------------|
| Model Number | Nominal Capacity | Dimensions | Cabinet Finish | Water Inlets/Outlets | Drainhose | Electrical Service Opening |
| XAC830 | 771 lbs. | 30"w x 24 $\frac{1}{2}$ " d x 25"h | SS | $\frac{3}{8}$ " male flare | $\frac{3}{16}$ " I.D. x $\frac{3}{4}$ " O.D. | $\frac{7}{8}$ " diameter hole |
| XWC830 | 780 lbs. | 30"w x 24 $\frac{1}{2}$ " d x 25"h | SS | $\frac{3}{8}$ " male flare | $\frac{3}{16}$ " I.D. x $\frac{3}{4}$ " O.D. | $\frac{7}{8}$ " diameter hole |
| XRC830 | 771 lbs. | 30"w x 24 $\frac{1}{2}$ " d x 25"h | SS | $\frac{3}{8}$ " male flare | $\frac{3}{16}$ " I.D. x $\frac{3}{4}$ " O.D. | $\frac{7}{8}$ " diameter hole |

| ARI CERTIFIED PERFORMANCE | | | | |
|---------------------------|-----------------------------------|--------------------------------|------------------------------|----------------------------------|
| Model Number | Ice Harvest Rate lbs. per 24 hrs. | Potable Water Use per 100 lbs. | KWH Consumption per 100 lbs. | Condenser Water Use per 100 lbs. |
| XAC830 | 666 | 16.3 | 6.9 | n/a |
| XWC830 | 700 | 17.4 | 5.6 | 116 |
| XRC830 | 666 | 16.3 | 6.9 | n/a |

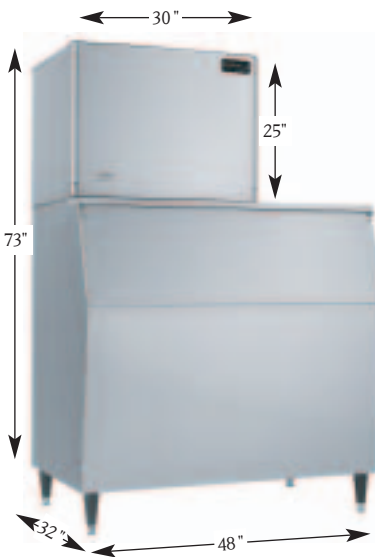
Rated in accordance with ARI Standard 810-91.

| PRODUCTION CHART | | | | | | | | | | | |
|------------------|------------------------|----------|----------|---------------|------------------------|----------|----------|-------------------|------------------------|----------|----------|
| AIR-COOLED | | | | WATER-COOLED | | | | REMOTE AIR-COOLED | | | |
| Air Temp (°F) | Water Temperature (°F) | | | Air Temp (°F) | Water Temperature (°F) | | | Air Temp (°F) | Water Temperature (°F) | | |
| | 50 | 70 | 80 | | 50 | 70 | 80 | | 50 | 70 | 80 |
| 50 | 771 lbs. | 752 lbs. | 740 lbs. | 50 | 780 lbs. | 742 lbs. | 715 lbs. | 50 | 771 lbs. | 752 lbs. | 740 lbs. |
| 70 | 747 lbs. | 730 lbs. | 712 lbs. | 70 | 761 lbs. | 724 lbs. | 693 lbs. | 70 | 747 lbs. | 730 lbs. | 712 lbs. |
| 90 | 703 lbs. | 666 lbs. | 621 lbs. | 90 | 736 lbs. | 700 lbs. | 676 lbs. | 90 | 703 lbs. | 666 lbs. | 621 lbs. |

| SPECIFICATIONS | | | | | | OPERATING LIMITS | | | | | |
|----------------|--------------|------------------|---------------------|------------------|-------------------|------------------|------------------|---------------------|-------------------|----------------|---------------|
| Model Number | Condenser | Refrigerant Type | Standard Electrical | Circuit Capacity | Maximum Fuse Size | Shipping Weight | Operating Weight | Ambient Temperature | Water Temperature | Water Pressure | Voltage Range |
| XAC830 | Air-Cooled | R-404a | 208/230/60/1 | 20 | 20 | 211 lbs. | 182 lbs. | 50°F-100°F | 45°F-90°F | 20-80 psi | 198-253 |
| XWC830 | Water-Cooled | R-404a | 208/230/60/1 | 20 | 20 | 207 lbs. | 178 lbs. | 50°F-100°F | 45°F-90°F | 20-80 psi | 198-253 |
| XRC830 | AC Remote* | R-404a | 208/230/60/1 | 20 | 20 | 223 lbs. | 194 lbs. | 50°F-100°F | 45°F-90°F | 20-80 psi | 198-253 |

*Use Remote Condenser CR-800.

SERIES 1000 "XTREME"



XAC1030/B1048SS

| DIMENSIONS/CAPACITY | | | | PLUMBING | | |
|---------------------|------------------|---------------------|----------------|----------------------------|--|-------------------------------|
| Model Number | Nominal Capacity | Dimensions | Cabinet Finish | Water Inlets/Outlets | Drainhose | Electrical Service Opening |
| XAC1030 | 950 lbs. | 30"w x 25" d x 25"h | SS | $\frac{3}{8}$ " male flare | $\frac{3}{16}$ " I.D. x $\frac{3}{4}$ " O.D. | $\frac{7}{8}$ " diameter hole |
| XWC1030 | 959 lbs. | 30"w x 25" d x 25"h | SS | $\frac{3}{8}$ " male flare | $\frac{3}{16}$ " I.D. x $\frac{3}{4}$ " O.D. | $\frac{7}{8}$ " diameter hole |
| XRC1030 | 950 lbs. | 30"w x 25" d x 25"h | SS | $\frac{3}{8}$ " male flare | $\frac{3}{16}$ " I.D. x $\frac{3}{4}$ " O.D. | $\frac{7}{8}$ " diameter hole |

| ARI CERTIFIED PERFORMANCE | | | | |
|---------------------------|-----------------------------------|--------------------------------|------------------------------|----------------------------------|
| Model Number | Ice Harvest Rate lbs. per 24 hrs. | Potable Water Use per 100 lbs. | KWH Consumption per 100 lbs. | Condenser Water Use per 100 lbs. |
| XAC1030 | 830 | 13.2 | 7.0 | n/a |
| XWC1030 | 887 | 13.2 | 5.5 | 112.7 |
| XRC1030 | 830 | 13.2 | 7.0 | n/a |

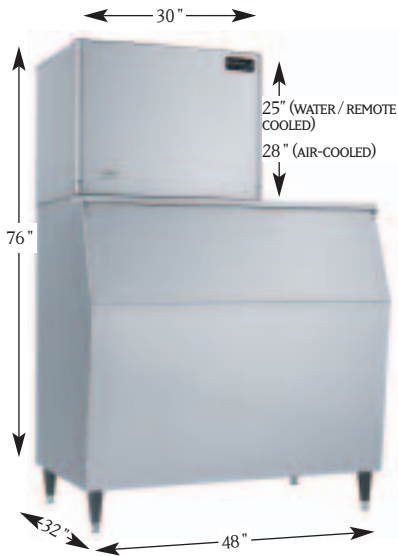
Rated in accordance with ARI Standard 810-91.

| PRODUCTION CHART | | | | | | | | | | | |
|------------------|------------------------|----------|----------|---------------|------------------------|----------|----------|-------------------|------------------------|----------|----------|
| AIR-COOLED | | | | WATER-COOLED | | | | REMOTE AIR-COOLED | | | |
| Air Temp (°F) | Water Temperature (°F) | | | Air Temp (°F) | Water Temperature (°F) | | | Air Temp (°F) | Water Temperature (°F) | | |
| | 50 | 70 | 80 | | 50 | 70 | 80 | | 50 | 70 | 80 |
| 50 | 950 lbs. | 901 lbs. | 890 lbs. | 50 | 959 lbs. | 916 lbs. | 873 lbs. | 50 | 950 lbs. | 901 lbs. | 890 lbs. |
| 70 | 918 lbs. | 877 lbs. | 860 lbs. | 70 | 939 lbs. | 904 lbs. | 869 lbs. | 70 | 918 lbs. | 877 lbs. | 860 lbs. |
| 90 | 854 lbs. | 830 lbs. | 799 lbs. | 90 | 900 lbs. | 887 lbs. | 861 lbs. | 90 | 854 lbs. | 830 lbs. | 799 lbs. |

| SPECIFICATIONS | | | | | | OPERATING LIMITS | | | | | |
|----------------|--------------|------------------|---------------------|------------------|-------------------|------------------|------------------|---------------------|-------------------|----------------|---------------|
| Model Number | Condenser | Refrigerant Type | Standard Electrical | Circuit Capacity | Maximum Fuse Size | Shipping Weight | Operating Weight | Ambient Temperature | Water Temperature | Water Pressure | Voltage Range |
| XAC1030 | Air-Cooled | R-404a | 208/230/60/1 | 20 | 20 | 226 lbs. | 197 lbs. | 50°F-100°F | 45°F-90°F | 20-80 psi | 198-253 |
| XWC1030 | Water-Cooled | R-404a | 208/230/60/1 | 20 | 20 | 215 lbs. | 186 lbs. | 50°F-100°F | 45°F-90°F | 20-80 psi | 198-253 |
| XRC1030 | AC Remote* | R-404a | 208/230/60/1 | 20 | 20 | 225 lbs. | 196 lbs. | 50°F-100°F | 45°F-90°F | 20-80 psi | 198-253 |

*Use Remote Condenser CR-1200.

SERIES 1200 "XTREME"



XAC1230/B1048SS

| DIMENSIONS/CAPACITY | | | | PLUMBING | | |
|---------------------|------------------|------------------------------------|----------------|----------------------------|--|-------------------------------|
| Model Number | Nominal Capacity | Dimensions | Cabinet Finish | Water Inlets/Outlets | Drainhose | Electrical Service Opening |
| XAC1230 | 1177 lbs. | 30"w x 24 $\frac{1}{2}$ " d x 28"h | SS | $\frac{3}{8}$ " male flare | $\frac{9}{16}$ " I.D. x $\frac{3}{4}$ " O.D. | $\frac{7}{8}$ " diameter hole |
| XWC1230 | 1062 lbs. | 30"w x 24 $\frac{1}{2}$ " d x 25"h | SS | $\frac{3}{8}$ " male flare | $\frac{9}{16}$ " I.D. x $\frac{3}{4}$ " O.D. | $\frac{7}{8}$ " diameter hole |
| XRC1230 | 1177 lbs. | 30"w x 24 $\frac{1}{2}$ " d x 25"h | SS | $\frac{3}{8}$ " male flare | $\frac{9}{16}$ " I.D. x $\frac{3}{4}$ " O.D. | $\frac{7}{8}$ " diameter hole |

| ARI CERTIFIED PERFORMANCE | | | | |
|---------------------------|-----------------------------------|--------------------------------|------------------------------|----------------------------------|
| Model Number | Ice Harvest Rate lbs. per 24 hrs. | Potable Water Use per 100 lbs. | KWH Consumption per 100 lbs. | Condenser Water Use per 100 lbs. |
| XAC1230 | 1019 | 14.6 | 6.5 | n/a |
| XWC1230 | 1029 | 14.6 | 5.2 | 79.8 |
| XRC1230 | 1019 | 14.6 | 6.5 | n/a |

Rated in accordance with ARI Standard 810-91.

| PRODUCTION CHART | | | | | | | | | | | |
|------------------|------------------------|-----------|-----------|---------------|------------------------|-----------|-----------|-------------------|------------------------|-----------|-----------|
| AIR-COOLED | | | | WATER-COOLED | | | | REMOTE AIR-COOLED | | | |
| Air Temp (°F) | Water Temperature (°F) | | | Air Temp (°F) | Water Temperature (°F) | | | Air Temp (°F) | Water Temperature (°F) | | |
| | 50 | 70 | 80 | | 50 | 70 | 80 | | 50 | 70 | 80 |
| 50 | 1177 lbs. | 1137 lbs. | 1070 lbs. | 50 | 1062 lbs. | 1055 lbs. | 1042 lbs. | 50 | 1177 lbs. | 1137 lbs. | 1070 lbs. |
| 70 | 1143 lbs. | 1098 lbs. | 1039 lbs. | 70 | 1059 lbs. | 1046 lbs. | 1027 lbs. | 70 | 1143 lbs. | 1098 lbs. | 1039 lbs. |
| 90 | 1076 lbs. | 1019 lbs. | 977 lbs. | 90 | 1052 lbs. | 1029 lbs. | 1006 lbs. | 90 | 1076 lbs. | 1019 lbs. | 977 lbs. |

| SPECIFICATIONS | | | | | | | OPERATING LIMITS | | | | |
|----------------|--------------|------------------|---------------------|------------------|-------------------|-----------------|------------------|---------------------|-------------------|----------------|---------------|
| Model Number | Condenser | Refrigerant Type | Standard Electrical | Circuit Capacity | Maximum Fuse Size | Shipping Weight | Operating Weight | Ambient Temperature | Water Temperature | Water Pressure | Voltage Range |
| XAC1230 | Air-Cooled | R-404a | 208-230/60/1 | 20 | 20 | 258 lbs. | 229 lbs. | 50°F-100°F | 45°F-90°F | 20-80 psi | 198-253 |
| XWC1230 | Water-Cooled | R-404a | 208-230/60/1 | 20 | 20 | 234 lbs. | 205 lbs. | 50°F-100°F | 45°F-90°F | 20-80 psi | 198-253 |
| XRC1230 | AC Remote* | R-404a | 208-230/60/1 | 20 | 20 | 247 lbs. | 218 lbs. | 50°F-100°F | 45°F-90°F | 20-80 psi | 198-253 |

*Use Remote Condenser CR-1200.

SERIES 1400 "XTREME"



XAC1444/B1048SS

| DIMENSIONS/CAPACITY | | | | PLUMBING | | |
|---------------------|------------------|------------------------------------|----------------|----------------------------|--|-------------------------------|
| Model Number | Nominal Capacity | Dimensions | Cabinet Finish | Water Inlets/Outlets | Drainhose | Electrical Service Opening |
| XAC1444 | 1630 lbs. | 44"w x 24 $\frac{3}{4}$ " d x 25"h | SS | $\frac{3}{8}$ " male flare | $\frac{9}{16}$ " I.D. x $\frac{3}{4}$ " O.D. | $\frac{7}{8}$ " diameter hole |
| XWC1444 | 1505 lbs. | 44"w x 24 $\frac{3}{4}$ " d x 25"h | SS | $\frac{3}{8}$ " male flare | $\frac{9}{16}$ " I.D. x $\frac{3}{4}$ " O.D. | $\frac{7}{8}$ " diameter hole |
| XRC1444 | 1630 lbs. | 44"w x 24 $\frac{3}{4}$ " d x 25"h | SS | $\frac{3}{8}$ " male flare | $\frac{9}{16}$ " I.D. x $\frac{3}{4}$ " O.D. | $\frac{7}{8}$ " diameter hole |

| ARI CERTIFIED PERFORMANCE | | | | |
|---------------------------|-----------------------------------|--------------------------------|------------------------------|----------------------------------|
| Model Number | Ice Harvest Rate lbs. per 24 hrs. | Potable Water Use per 100 lbs. | KWH Consumption per 100 lbs. | Condenser Water Use per 100 lbs. |
| XAC1444 | 1275 | 14.3 | 6.8 | n/a |
| XWC1444 | 1374 | 14.3 | 5.5 | 130 |
| XRC1444 | 1275 | 14.3 | 6.8 | n/a |

Rated in accordance with ARI Standard 810-91.

| PRODUCTION CHART | | | | | | | | | | | |
|------------------|------------------------|-----------|-----------|---------------|------------------------|-----------|-----------|-------------------|------------------------|-----------|-----------|
| AIR-COOLED | | | | WATER-COOLED | | | | REMOTE AIR-COOLED | | | |
| Air Temp (°F) | Water Temperature (°F) | | | Air Temp (°F) | Water Temperature (°F) | | | Air Temp (°F) | Water Temperature (°F) | | |
| | 50 | 70 | 80 | | 50 | 70 | 80 | | 50 | 70 | 80 |
| 50 | 1630 lbs. | 1505 lbs. | 1470 lbs. | 50 | 1505 lbs. | 1391 lbs. | 1362 lbs. | 50 | 1630 lbs. | 1505 lbs. | 1470 lbs. |
| 70 | 1537 lbs. | 1416 lbs. | 1380 lbs. | 70 | 1473 lbs. | 1385 lbs. | 1346 lbs. | 70 | 1537 lbs. | 1416 lbs. | 1380 lbs. |
| 90 | 1340 lbs. | 1275 lbs. | 1198 lbs. | 90 | 1409 lbs. | 1374 lbs. | 1315 lbs. | 90 | 1340 lbs. | 1275 lbs. | 1198 lbs. |

| SPECIFICATIONS | | | | | | | OPERATING LIMITS | | | | |
|----------------|--------------|------------------|---------------------|------------------|-------------------|-----------------|------------------|---------------------|-------------------|----------------|---------------|
| Model Number | Condenser | Refrigerant Type | Standard Electrical | Circuit Capacity | Maximum Fuse Size | Shipping Weight | Operating Weight | Ambient Temperature | Water Temperature | Water Pressure | Voltage Range |
| XAC1444 | Air-Cooled | R-404a | 208/230/60/1 | 30 | 30 | 317 lbs. | 274 lbs. | 50°F-100°F | 45°F-90°F | 20-80 psi | 198-253 |
| XWC1444 | Water-Cooled | R-404a | 208/230/60/1 | 30 | 30 | 295 lbs. | 252 lbs. | 50°F-100°F | 45°F-90°F | 20-80 psi | 198-253 |
| XRC1444 | AC Remote* | R-404a | 208/230/60/1 | 30 | 30 | 308 lbs. | 265 lbs. | 50°F-100°F | 45°F-90°F | 20-80 psi | 198-253 |

*Use Remote Condenser CR-1400.

SERIES 1800 "XTREME"



XAC1844/B1048SS

| DIMENSIONS/CAPACITY | | | | PLUMBING | | |
|---------------------|------------------|--|----------------|--|--|---|
| Model Number | Nominal Capacity | Dimensions | Cabinet Finish | Water Inlets/Outlets | Drainhose | Electrical Service Opening |
| XAC1844 | 1947 lbs. | 44"w x 24 ³ / ₄ " d x 25"h | SS | ³ / ₈ " male flare | ⁹ / ₁₆ " I.D. x ³ / ₄ " O.D. | ⁷ / ₈ " diameter hole |
| XWC1844 | 1700 lbs. | 44"w x 24 ³ / ₄ " d x 25"h | SS | ³ / ₈ " male flare | ⁹ / ₁₆ " I.D. x ³ / ₄ " O.D. | ⁷ / ₈ " diameter hole |
| XRC1844 | 1947 lbs. | 44"w x 24 ³ / ₄ " d x 25"h | SS | ³ / ₈ " male flare | ⁹ / ₁₆ " I.D. x ³ / ₄ " O.D. | ⁷ / ₈ " diameter hole |

| ARI CERTIFIED PERFORMANCE | | | | |
|---------------------------|-----------------------------------|--------------------------------|------------------------------|----------------------------------|
| Model Number | Ice Harvest Rate lbs. per 24 hrs. | Potable Water Use per 100 lbs. | KWH Consumption per 100 lbs. | Condenser Water Use per 100 lbs. |
| XAC1844 | 1600 | 14.5 | 7.3 | n/a |
| XWC1844 | 1610 | 14.5 | 6.0 | 150 |
| XRC1844 | 1600 | 14.5 | 7.3 | n/a |

Rated in accordance with ARI Standard 810-91.

| PRODUCTION CHART | | | | | | | | | | | |
|------------------|------------------------|-----------|-----------|---------------|------------------------|-----------|-----------|-------------------|------------------------|-----------|-----------|
| AIR-COOLED | | | | WATER-COOLED | | | | REMOTE AIR-COOLED | | | |
| Air Temp (°F) | Water Temperature (°F) | | | Air Temp (°F) | Water Temperature (°F) | | | Air Temp (°F) | Water Temperature (°F) | | |
| | 50 | 70 | 80 | | 50 | 70 | 80 | | 50 | 70 | 80 |
| 50 | 1947 lbs. | 1637 lbs. | 1328 lbs. | 50 | 1700 lbs. | 1650 lbs. | 1610 lbs. | 50 | 1947 lbs. | 1637 lbs. | 1328 lbs. |
| 70 | 1928 lbs. | 1619 lbs. | 1309 lbs. | 70 | 1660 lbs. | 1630 lbs. | 1580 lbs. | 70 | 1928 lbs. | 1619 lbs. | 1309 lbs. |
| 90 | 1909 lbs. | 1600 lbs. | 1290 lbs. | 90 | 1640 lbs. | 1610 lbs. | 1550 lbs. | 90 | 1909 lbs. | 1600 lbs. | 1290 lbs. |

| SPECIFICATIONS | | | | | | OPERATING LIMITS | | | | | |
|----------------|--------------|------------------|---------------------|------------------|-------------------|------------------|------------------|---------------------|-------------------|----------------|---------------|
| Model Number | Condenser | Refrigerant Type | Standard Electrical | Circuit Capacity | Maximum Fuse Size | Shipping Weight | Operating Weight | Ambient Temperature | Water Temperature | Water Pressure | Voltage Range |
| XAC1844 | Air-Cooled | R-404a | 208/230/60/1 | 30 | 30 | 367 lbs. | 324 lbs. | 50°F-100°F | 45°F-90°F | 20-80 psi | 198-253 |
| XWC1844 | Water-Cooled | R-404a | 208/230/60/1 | 30 | 30 | 345 lbs. | 302 lbs. | 50°F-100°F | 45°F-90°F | 20-80 psi | 198-253 |
| XRC1844 | AC Remote* | R-404a | 208/230/60/1 | 30 | 30 | 358 lbs. | 315 lbs. | 50°F-100°F | 45°F-90°F | 20-80 psi | 198-253 |

*Use Remote Condenser CR-2400.

SERIES 2448



IRC2448/B1048SS

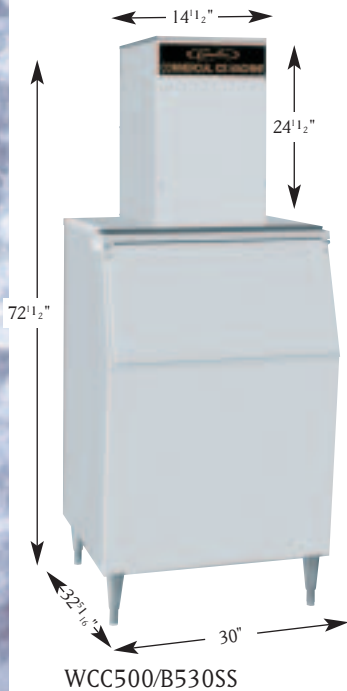
| DIMENSIONS/CAPACITY | | | |
|---------------------|------------------|---|----------------|
| Model Number | Nominal Capacity | Dimensions | Cabinet Finish |
| IRC2448 | 2460 lbs. | 48w x 23 ¹ / ₂ " d x 28"h | SS |
| IRC2448-3PH | 2460 lbs. | 48w x 23 ¹ / ₂ " d x 28"h | SS |
| IWC2448 | 2534 lbs. | 48w x 23 ¹ / ₂ " d x 28"h | SS |

| ARI CERTIFIED PERFORMANCE | | | | |
|---------------------------|-----------------------------------|--------------------------------|------------------------------|----------------------------------|
| Model Number | Ice Harvest Rate lbs. per 24 hrs. | Potable Water Use per 100 lbs. | KWH Consumption per 100 lbs. | Condenser Water Use per 100 lbs. |
| IRC2448 | 2024 | 15.0 | 8.0 | n/a |
| IRC2448-3PH | 2024 | 15.0 | 8.0 | n/a |
| IWC2448 | 2200 | 15.0 | 6.0 | 135 |

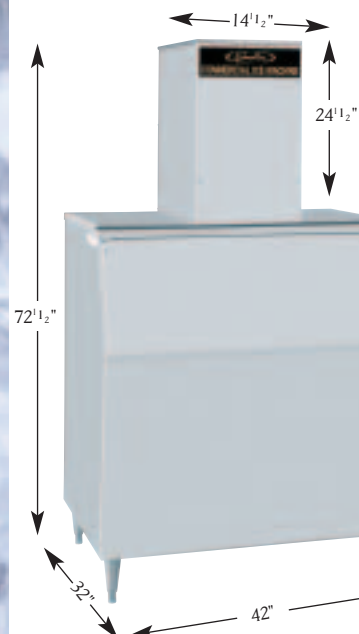
| PRODUCTION CHART | | | | | | | |
|-------------------|------------------------|-----------|-----------|---------------------|------------------------|-----------|-----------|
| REMOTE AIR-COOLED | | | | REMOTE WATER-COOLED | | | |
| Air Temp (°F) | Water Temperature (°F) | | | Air Temp (°F) | Water Temperature (°F) | | |
| | 50 | 70 | 80 | | 50 | 70 | 80 |
| 50 | 2460 lbs. | 2288 lbs. | 2224 lbs. | 50 | 2534 lbs. | 2240 lbs. | 2138 lbs. |
| 70 | 2401 lbs. | 2244 lbs. | 2186 lbs. | 70 | 2500 lbs. | 2221 lbs. | 2096 lbs. |
| 90 | 2163 lbs. | 2024 lbs. | 1938 lbs. | 90 | 2283 lbs. | 2200 lbs. | 2057 lbs. |

| SPECIFICATIONS | | | | | | OPERATING LIMITS | | | | | |
|----------------|--------------|------------------|---------------------|------------------|-------------------|------------------|------------------|---------------------|-------------------|----------------|---------------|
| Model Number | Condenser | Refrigerant Type | Standard Electrical | Circuit Capacity | Maximum Fuse Size | Shipping Weight | Operating Weight | Ambient Temperature | Water Temperature | Water Pressure | Voltage Range |
| IRC2448 | AC Remote* | R-404a | 208-230/60/1 | 30 | 30 | 396 lbs. | 335 lbs. | 50°F-100°F | 50°F-90°F | 20-120 psi | 198-235 |
| IRC2448-3PH | AC Remote* | R-404a | 208-230/60/3 | 30 | 30 | 396 lbs. | 335 lbs. | 50°F-100°F | 50°F-90°F | 20-120 psi | 198-235 |
| IWC2448 | Water-Cooled | R-404a | 208-230/60/1 | 30 | 30 | 388 lbs. | 327 lbs. | 50°F-100°F | 50°F-90°F | 20-120 psi | 198-235 |

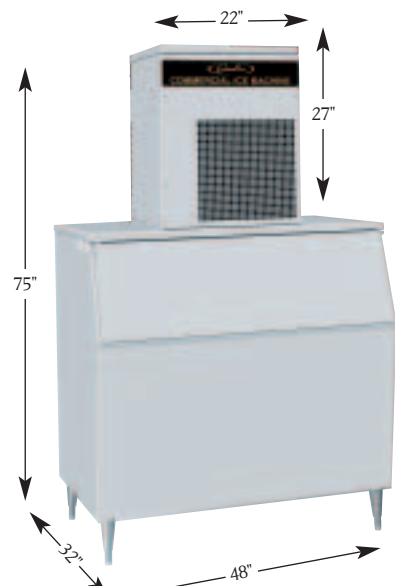
*Use Remote Condenser CR-2400.



WCC500/B530SS



WCC700/B842SS



WCC1001/B1048SS

SERIES 500

| DIMENSIONS/CAPACITY | | | | | PLUMBING | | |
|---------------------|------------------|-------------------------|----------------|----------------------|-------------------|----------------------------|--|
| Model Number | Nominal Capacity | Dimensions | Cabinet Finish | Water Inlets/Outlets | Drainhose | Electrical Service Opening | |
| WCC-500A | 391 lbs. | 14½" w x 25" d x 24½" h | SS | ¼" male flare | ¾" I.D. x ⅝" O.D. | ⅞" diameter hole | |
| WCC-500W | 391 lbs. | 14½" w x 25" d x 24½" h | SS | ¼" MF / ⅜" FPT | ¾" I.D. x ⅝" O.D. | ⅞" diameter hole | |

| PRODUCTION CHART | | | |
|------------------|-------------------|----------|----------|
| AIR-TEMPERATURE | WATER-TEMPERATURE | | |
| | 50°F | 70°F | 80°F |
| 50°F | 391 lbs. | 351 lbs. | 330 lbs. |
| 70°F | 369 lbs. | 329 lbs. | 310 lbs. |
| 90°F | 317 lbs. | 285 lbs. | 271 lbs. |

| SPECIFICATIONS | | | | | | | OPERATING LIMITS | | | | |
|----------------|--------------|------------------|---------------------|------------------|-------------------|-----------------|------------------|---------------------|-------------------|----------------|---------------|
| Model Number | Condenser | Refrigerant Type | Standard Electrical | Circuit Capacity | Maximum Fuse Size | Shipping Weight | Operating Weight | Ambient Temperature | Water Temperature | Water Pressure | Voltage Range |
| WCC-500A | Air-Cooled | R-404a | 115/60/1 | 15 | 15 | 154 lbs. | 142 lbs. | 50°F-100°F | 50°F-90°F | 20-120 psi | 110-126 |
| WCC-500W | Water-Cooled | R-404a | 115/60/1 | 15 | 15 | 154 lbs. | 142 lbs. | 50°F-100°F | 50°F-90°F | 20-120 psi | 110-126 |

SERIES 700

| DIMENSIONS/CAPACITY | | | | | PLUMBING | | |
|---------------------|------------------|-------------------------|----------------|----------------------|-------------------|----------------------------|--|
| Model Number | Nominal Capacity | Dimensions | Cabinet Finish | Water Inlets/Outlets | Drainhose | Electrical Service Opening | |
| WCC-700A | 636 lbs. | 14½" w x 25" d x 24½" h | SS | ¼" male flare | ¾" I.D. x ⅝" O.D. | ⅞" diameter hole | |
| WCC-700W | 636 lbs. | 14½" w x 25" d x 24½" h | SS | ¼" MF / ⅜" FPT | ¾" I.D. x ⅝" O.D. | ⅞" diameter hole | |
| WCC-700R | 636 lbs. | 14½" w x 25" d x 24½" h | SS | ¼" male flare | ¾" I.D. x ⅝" O.D. | ⅞" diameter hole | |

| PRODUCTION CHART | | | |
|------------------|-------------------|----------|----------|
| AIR-TEMPERATURE | WATER-TEMPERATURE | | |
| | 50°F | 70°F | 80°F |
| 50°F | 636 lbs. | 570 lbs. | 536 lbs. |
| 70°F | 616 lbs. | 550 lbs. | 518 lbs. |
| 90°F | 570 lbs. | 513 lbs. | 489 lbs. |

| SPECIFICATIONS | | | | | | | OPERATING LIMITS | | | | |
|----------------|--------------|------------------|---------------------|------------------|-------------------|-----------------|------------------|---------------------|-------------------|----------------|---------------|
| Model Number | Condenser | Refrigerant Type | Standard Electrical | Circuit Capacity | Maximum Fuse Size | Shipping Weight | Operating Weight | Ambient Temperature | Water Temperature | Water Pressure | Voltage Range |
| WCC-700A | Air-Cooled | R-404a | 115/60/1 | 20 | 20 | 163 lbs. | 152 lbs. | 50°F-100°F | 50°F-90°F | 20-120 psi | 110-126 |
| WCC-700W | Water-Cooled | R-404a | 115/60/1 | 20 | 20 | 163 lbs. | 152 lbs. | 50°F-100°F | 50°F-90°F | 20-120 psi | 110-126 |
| WCC-700R* | AC Remote | R-404a | 115/60/1 | 20 | 20 | 138 lbs. | 126 lbs. | 50°F-100°F | 50°F-90°F | 20-120 psi | 110-126 |
| WCC-701A | Air-Cooled | R-404a | 208-230/60/1 | 20 | 20 | 163 lbs. | 152 lbs. | 50°F-100°F | 50°F-90°F | 20-120 psi | 198-253 |
| WCC-701W | Water-Cooled | R-404a | 208-230/60/1 | 20 | 20 | 163 lbs. | 152 lbs. | 50°F-100°F | 50°F-90°F | 20-120 psi | 198-253 |

*Use Remote Condenser WCU.

SERIES 1000

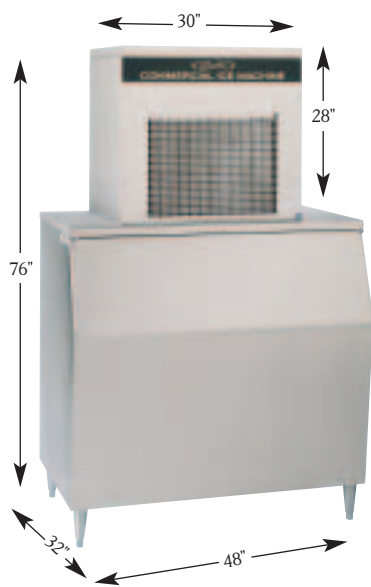
| DIMENSIONS/CAPACITY | | | | | PLUMBING | | |
|---------------------|------------------|-----------------------|----------------|----------------------|-------------------|----------------------------|--|
| Model Number | Nominal Capacity | Dimensions | Cabinet Finish | Water Inlets/Outlets | Drainhose | Electrical Service Opening | |
| WCC-1001A | 1015 lbs. | 22" w x 24" d x 27" h | SS | ¼" male flare | ¾" I.D. x ⅝" O.D. | ⅞" diameter hole | |
| WCC-1001W | 1015 lbs. | 22" w x 24" d x 27" h | SS | ¼" MF / ⅜" FPT | ¾" I.D. x ⅝" O.D. | ⅞" diameter hole | |
| WCC-1001R | 1015 lbs. | 22" w x 24" d x 27" h | SS | ¼" male flare | ¾" I.D. x ⅝" O.D. | ⅞" diameter hole | |

| PRODUCTION CHART | | | |
|------------------|-------------------|----------|----------|
| AIR-TEMPERATURE | WATER-TEMPERATURE | | |
| | 50°F | 70°F | 80°F |
| 50°F | 1015 lbs. | 909 lbs. | 856 lbs. |
| 70°F | 940 lbs. | 839 lbs. | 790 lbs. |
| 90°F | 831 lbs. | 748 lbs. | 711 lbs. |

| SPECIFICATIONS | | | | | | | OPERATING LIMITS | | | | |
|----------------|--------------|------------------|---------------------|------------------|-------------------|-----------------|------------------|---------------------|-------------------|----------------|---------------|
| Model Number | Condenser | Refrigerant Type | Standard Electrical | Circuit Capacity | Maximum Fuse Size | Shipping Weight | Operating Weight | Ambient Temperature | Water Temperature | Water Pressure | Voltage Range |
| WCC-1001A | Air-Cooled | R-404a | 208-230/60/1 | 15 | 15 | 210 lbs. | 194 lbs. | 50°F-100°F | 50°F-90°F | 20-120 psi | 198-253 |
| WCC-1001W | Water-Cooled | R-404a | 208-230/60/1 | 15 | 15 | 210 lbs. | 194 lbs. | 50°F-100°F | 50°F-90°F | 20-120 psi | 198-253 |
| WCC-1001R* | AC Remote | R-404a | 208-230/60/1 | 15 | 15 | 210 lbs. | 194 lbs. | 50°F-100°F | 50°F-90°F | 20-120 psi | 198-253 |

*Use Remote Condenser WC1.

SERIES 2000



WCC2001/B1048SS

| DIMENSIONS/CAPACITY | | | | PLUMBING | | |
|---------------------|------------------|--------------------|----------------|----------------------|------------------------|----------------------------|
| Model Number | Nominal Capacity | Dimensions | Cabinet Finish | Water Inlets/Outlets | Drainhose | Electrical Service Opening |
| WCC-2001A | 1999 lbs. | 30"w x 24"d x 28"h | SS | 1/4" male flare | 3/8" I.D. x 1/16" O.D. | 7/8" diameter hole |
| WCC-2001W | 1999 lbs. | 30"w x 24"d x 28"h | SS | 1/4" MF / 3/8" FPT | 3/8" I.D. x 1/16" O.D. | 7/8" diameter hole |
| WCC-2001R | 1999 lbs. | 30"w x 24"d x 28"h | SS | 1/4" male flare | 3/8" I.D. x 1/16" O.D. | 7/8" diameter hole |

| PRODUCTION CHART | | | |
|------------------|-------------------|-----------|-----------|
| AIR-TEMPERATURE | WATER-TEMPERATURE | | |
| | 50°F | 70°F | 80°F |
| 50°F | 1999 lbs. | 1790 lbs. | 1684 lbs. |
| 70°F | 1735 lbs. | 1549 lbs. | 1458 lbs. |
| 90°F | 1403 lbs. | 1262 lbs. | 1201 lbs. |

| SPECIFICATIONS | | | | | | OPERATING LIMITS | | | | | |
|----------------|--------------|------------------|---------------------|------------------|-------------------|------------------|------------------|---------------------|-------------------|----------------|---------------|
| Model Number | Condenser | Refrigerant Type | Standard Electrical | Circuit Capacity | Maximum Fuse Size | Shipping Weight | Operating Weight | Ambient Temperature | Water Temperature | Water Pressure | Voltage Range |
| WCC-2001A | Air-Cooled | R-404a | 208-230/60/1 | 15 | 15 | 342 lbs. | 317 lbs. | 50°F-100°F | 50°F-90°F | 20-120 psi | 198-253 |
| WCC-2001W | Water-Cooled | R-404a | 208-230/60/1 | 15 | 15 | 342 lbs. | 317 lbs. | 50°F-100°F | 50°F-90°F | 20-120 psi | 198-253 |
| WCC-2001R* | AC Remote | R-404a | 208-230/60/1 | 15 | 15 | 342 lbs. | 317 lbs. | 50°F-100°F | 50°F-90°F | 20-120 psi | 198-253 |

*Use Remote Condenser CR-1200.

SERIES 200 & SERIES 525



AF200PSCR

| DIMENSIONS/CAPACITY | | | | PLUMBING | | |
|---------------------|------------------|-------------------------|----------------|--------------|----------------------|-----------------------|
| Model Number | Nominal Capacity | Dimensions | Cabinet Finish | Bin Capacity | Water Inlets/Outlets | Drainhose |
| AF200PSCR | 219 lbs. | 25"w x 26 1/2" d x 40"h | E or SS | 75 lbs. | 1/4" male flare | 3/8" O.D. x 1/2" O.D. |

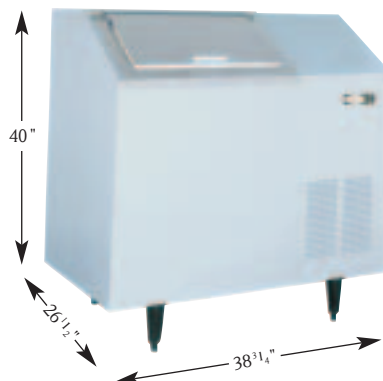
| PRODUCTION CHART | | | |
|------------------|-------------------|----------|----------|
| AIR-TEMPERATURE | WATER-TEMPERATURE | | |
| | 50°F | 70°F | 80°F |
| 50°F | 219 lbs. | 188 lbs. | 175 lbs. |
| 70°F | 208 lbs. | 174 lbs. | 166 lbs. |
| 90°F | 161 lbs. | 130 lbs. | 117 lbs. |

| SPECIFICATIONS | | | | | | OPERATING LIMITS | | | | | |
|----------------|------------|------------------|---------------------|------------------|-------------------|------------------|------------------|---------------------|-------------------|----------------|---------------|
| Model Number | Condenser | Refrigerant Type | Standard Electrical | Circuit Capacity | Maximum Fuse Size | Shipping Weight | Operating Weight | Ambient Temperature | Water Temperature | Water Pressure | Voltage Range |
| AF200PSCR | Air-Cooled | R-404a | 115/60/1 | 15 | 15 | 220 lbs. | 190 lbs. | 50°F-100°F | 50°F-90°F | 20-120 psi | 110-126 |

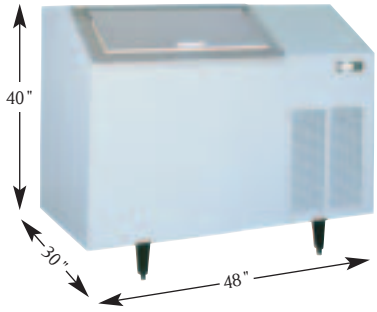
| DIMENSIONS/CAPACITY | | | | PLUMBING | | | |
|---------------------|------------------|-------------------------------|----------------|--------------|----------------------|------------------|-----------|
| Model Number | Nominal Capacity | Dimensions | Cabinet Finish | Bin Capacity | Water Inlets/Outlets | Condensate Drain | Bin Drain |
| AF525PSCR | 654 lbs. | 38 3/4" w x 26 1/2" d x 40" h | E or SS | 175 lbs. | 3/8" male flare | 1/2" O.D. tube | 3/4" FPT |

| PRODUCTION CHART | | | |
|------------------|-------------------|----------|----------|
| AIR-TEMPERATURE | WATER-TEMPERATURE | | |
| | 50°F | 70°F | 80°F |
| 50°F | 654 lbs. | 588 lbs. | 552 lbs. |
| 70°F | 639 lbs. | 563 lbs. | 521 lbs. |
| 90°F | 562 lbs. | 479 lbs. | 448 lbs. |

| SPECIFICATIONS | | | | | | OPERATING LIMITS | | | | | |
|----------------|------------|------------------|---------------------|------------------|-------------------|------------------|------------------|---------------------|-------------------|----------------|---------------|
| Model Number | Condenser | Refrigerant Type | Standard Electrical | Circuit Capacity | Maximum Fuse Size | Shipping Weight | Operating Weight | Ambient Temperature | Water Temperature | Water Pressure | Voltage Range |
| AF525PSCR | Air-Cooled | R-404a | 115/60/1 | 20 | 20 | 282 lbs. | 240 lbs. | 50°F-100°F | 50°F-90°F | 20-120 psi | 110-126 |



AF525PSCR



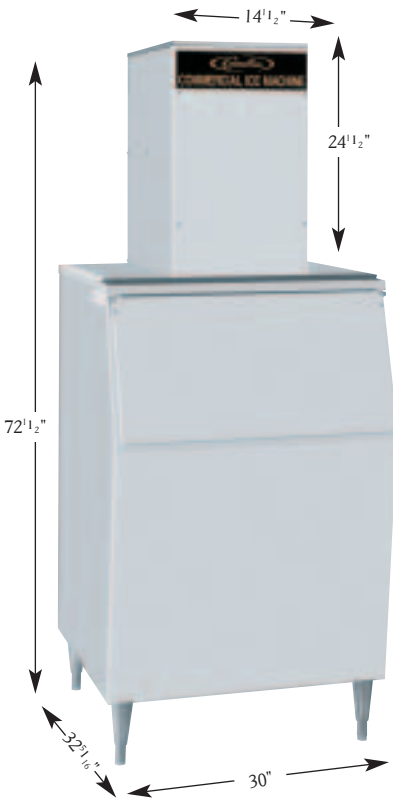
AF725PSCR

SERIES 725

| DIMENSIONS/CAPACITY | | | | | PLUMBING | | |
|---------------------|------------------|-----------------------|----------------|--------------|----------------------|------------------|-----------|
| Model Number | Nominal Capacity | Dimensions | Cabinet Finish | Bin Capacity | Water Inlets/Outlets | Condensate Drain | Bin Drain |
| AF725PSCR | 654 lbs. | 48" w x 30" d x 40" h | E or SS | 300 lbs. | 3/8" male flare | 1/2" O.D. tube | 3/4" FPT |

| PRODUCTION CHART | | | |
|------------------|-------------------|----------|----------|
| AIR-TEMPERATURE | WATER-TEMPERATURE | | |
| | 50°F | 70°F | 80°F |
| 50°F | 654 lbs. | 588 lbs. | 552 lbs. |
| 70°F | 639 lbs. | 563 lbs. | 521 lbs. |
| 90°F | 562 lbs. | 479 lbs. | 448 lbs. |

| SPECIFICATIONS | | | | | | | OPERATING LIMITS | | | | |
|----------------|------------|------------------|---------------------|------------------|-------------------|-----------------|------------------|---------------------|-------------------|----------------|---------------|
| Model Number | Condenser | Refrigerant Type | Standard Electrical | Circuit Capacity | Maximum Fuse Size | Shipping Weight | Operating Weight | Ambient Temperature | Water Temperature | Water Pressure | Voltage Range |
| AF725PSCR | Air-Cooled | R-404a | 115/60/1 | 20 | 20 | 334 lbs. | 300 lbs. | 50°F-100°F | 50°F-90°F | 20-120 psi | 110-126 |



WCF510/B530SS

SERIES 500

| DIMENSIONS/CAPACITY | | | | | PLUMBING | | |
|---------------------|------------------|-------------------------------|----------------|----------------------|------------------------|----------------------------|--|
| Model Number | Nominal Capacity | Dimensions | Cabinet Finish | Water Inlets/Outlets | Drainhose | Electrical Service Opening | |
| WCF-510A | 460 lbs. | 14 1/2" w x 25" d x 24 1/2" h | SS | 1/4" male flare | 3/8" I.D. x 9/16" O.D. | 7/8" diameter hole | |
| WCF-510W | 460 lbs. | 14 1/2" w x 25" d x 24 1/2" h | SS | 1/4" MF / 3/8" FPT | 3/8" I.D. x 9/16" O.D. | 7/8" diameter hole | |

| PRODUCTION CHART | | | |
|------------------|-------------------|----------|----------|
| AIR-TEMPERATURE | WATER-TEMPERATURE | | |
| | 50°F | 70°F | 80°F |
| 50°F | 460 lbs. | 412 lbs. | 388 lbs. |
| 70°F | 442 lbs. | 394 lbs. | 371 lbs. |
| 90°F | 407 lbs. | 367 lbs. | 349 lbs. |

| SPECIFICATIONS | | | | | | | OPERATING LIMITS | | | | |
|----------------|--------------|------------------|---------------------|------------------|-------------------|-----------------|------------------|---------------------|-------------------|----------------|---------------|
| Model Number | Condenser | Refrigerant Type | Standard Electrical | Circuit Capacity | Maximum Fuse Size | Shipping Weight | Operating Weight | Ambient Temperature | Water Temperature | Water Pressure | Voltage Range |
| WCF-510A | Air-Cooled | R-404a | 115/60/1 | 15 | 15 | 154 lbs. | 142 lbs. | 50°F-100°F | 50°F-90°F | 20-120 psi | 110-126 |
| WCF-510W | Water-Cooled | R-404a | 115/60/1 | 15 | 15 | 154 lbs. | 142 lbs. | 50°F-100°F | 50°F-90°F | 20-120 psi | 110-126 |

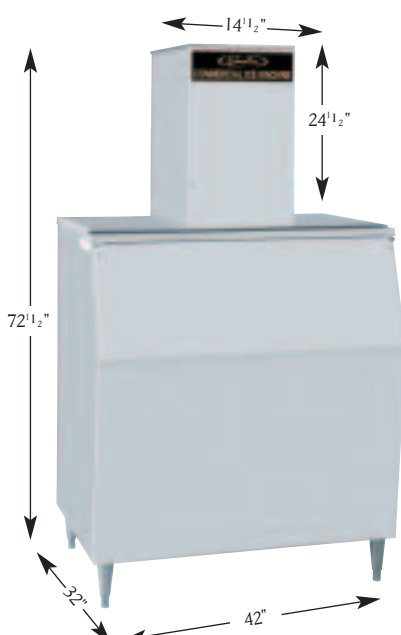
SERIES 700

| DIMENSIONS/CAPACITY | | | | | PLUMBING | | |
|---------------------|------------------|-------------------------------|----------------|----------------------|------------------------|----------------------------|--|
| Model Number | Nominal Capacity | Dimensions | Cabinet Finish | Water Inlets/Outlets | Drainhose | Electrical Service Opening | |
| WCF-710A | 936 lbs. | 14 1/2" w x 25" d x 24 1/2" h | SS | 1/4" male flare | 3/8" I.D. x 9/16" O.D. | 7/8" diameter hole | |
| WCF-710W | 936 lbs. | 14 1/2" w x 25" d x 24 1/2" h | SS | 1/4" MF / 3/8" FPT | 3/8" I.D. x 9/16" O.D. | 7/8" diameter hole | |
| WCF-710R | 936 lbs. | 14 1/2" w x 25" d x 24 1/2" h | SS | 1/4" male flare | 3/8" I.D. x 9/16" O.D. | 7/8" diameter hole | |

| PRODUCTION CHART | | | |
|------------------|-------------------|----------|----------|
| AIR-TEMPERATURE | WATER-TEMPERATURE | | |
| | 50°F | 70°F | 80°F |
| 50°F | 936 lbs. | 838 lbs. | 789 lbs. |
| 70°F | 892 lbs. | 796 lbs. | 750 lbs. |
| 90°F | 779 lbs. | 701 lbs. | 667 lbs. |

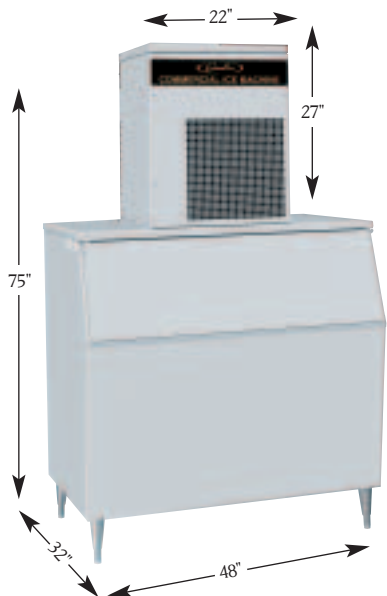
| SPECIFICATIONS | | | | | | | OPERATING LIMITS | | | | |
|----------------|--------------|------------------|---------------------|------------------|-------------------|-----------------|------------------|---------------------|-------------------|----------------|---------------|
| Model Number | Condenser | Refrigerant Type | Standard Electrical | Circuit Capacity | Maximum Fuse Size | Shipping Weight | Operating Weight | Ambient Temperature | Water Temperature | Water Pressure | Voltage Range |
| WCF-710A | Air-Cooled | R-404a | 115/60/1 | 20 | 20 | 163 lbs. | 152 lbs. | 50°F-100°F | 50°F-90°F | 20-120 psi | 110-126 |
| WCF-710W | Water-Cooled | R-404a | 115/60/1 | 20 | 20 | 163 lbs. | 152 lbs. | 50°F-100°F | 50°F-90°F | 20-120 psi | 110-126 |
| WCF-710R* | AC Remote | R-404a | 115/60/1 | 20 | 20 | 138 lbs. | 126 lbs. | 50°F-100°F | 50°F-90°F | 20-120 psi | 110-126 |
| WCF-710A | Air-Cooled | R-404a | 208-230/60/1 | 20 | 20 | 163 lbs. | 152 lbs. | 50°F-100°F | 50°F-90°F | 20-120 psi | 198-253 |
| WCF-710W | Water-Cooled | R-404a | 208-230/60/1 | 20 | 20 | 163 lbs. | 152 lbs. | 50°F-100°F | 50°F-90°F | 20-120 psi | 198-253 |

*Use Remote Condenser WCU.

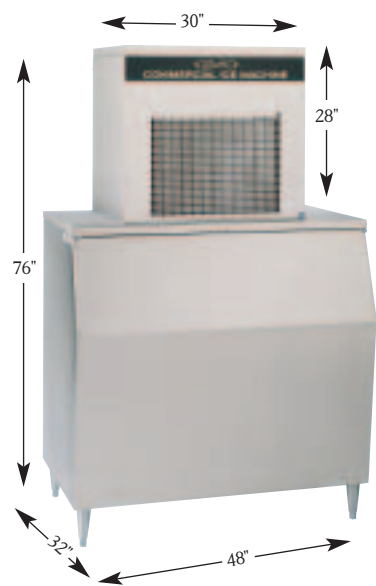


WCF710/B842SS

SERIES 1000



WCF1101/B1048SS



WCF2201/B1048SS



DPP-230

| DIMENSIONS/CAPACITY | | | | PLUMBING | | |
|---------------------|------------------|--------------------|----------------|----------------------|------------------------|----------------------------|
| Model Number | Nominal Capacity | Dimensions | Cabinet Finish | Water Inlets/Outlets | Drainhose | Electrical Service Opening |
| WCF-1101A | 1559 lbs. | 22"w x 24"d x 27"h | SS | 1/4" male flare | 3/8" I.D. x 3/16" O.D. | 7/8" diameter hole |
| WCF-1101W | 1559 lbs. | 22"w x 24"d x 27"h | SS | 1/4" MF / 3/8" FPT | 3/8" I.D. x 3/16" O.D. | 7/8" diameter hole |
| WCF-1101R | 1559 lbs. | 22"w x 24"d x 27"h | SS | 1/4" male flare | 3/8" I.D. x 3/16" O.D. | 7/8" diameter hole |

| PRODUCTION CHART | | | |
|------------------|-------------------|-----------|-----------|
| AIR-TEMPERATURE | WATER-TEMPERATURE | | |
| | 50°F | 70°F | 80°F |
| 50°F | 1559 lbs. | 1396 lbs. | 1314 lbs. |
| 70°F | 1426 lbs. | 1273 lbs. | 1198 lbs. |
| 90°F | 1260 lbs. | 1134 lbs. | 1079 lbs. |

| SPECIFICATIONS | | | | | | OPERATING LIMITS | | | | | |
|----------------|--------------|------------------|---------------------|------------------|-------------------|------------------|------------------|---------------------|-------------------|----------------|---------------|
| Model Number | Condenser | Refrigerant Type | Standard Electrical | Circuit Capacity | Maximum Fuse Size | Shipping Weight | Operating Weight | Ambient Temperature | Water Temperature | Water Pressure | Voltage Range |
| WCF-1101A | Air-Cooled | R-404a | 208-230/60/1 | 15 | 15 | 210 lbs. | 194 lbs. | 50°F-100°F | 50°F-90°F | 20-120 psi | 198-253 |
| WCF-1101W | Water-Cooled | R-404a | 208-230/60/1 | 15 | 15 | 210 lbs. | 194 lbs. | 50°F-100°F | 50°F-90°F | 20-120 psi | 198-253 |
| WCF-1001R* | AC Remote | R-404a | 208-230/60/1 | 15 | 15 | 210 lbs. | 194 lbs. | 50°F-100°F | 50°F-90°F | 20-120 psi | 198-253 |

*Use Remote Condenser WC1.

SERIES 2000

| DIMENSIONS/CAPACITY | | | | PLUMBING | | |
|---------------------|------------------|--------------------|----------------|----------------------|------------------------|----------------------------|
| Model Number | Nominal Capacity | Dimensions | Cabinet Finish | Water Inlets/Outlets | Drainhose | Electrical Service Opening |
| WCF-2201A | 2506 lbs. | 30"w x 24"d x 28"h | SS | 1/4" male flare | 3/8" I.D. x 3/16" O.D. | 7/8" diameter hole |
| WCF-2201W | 2506 lbs. | 30"w x 24"d x 28"h | SS | 1/4" MF / 3/8" FPT | 3/8" I.D. x 3/16" O.D. | 7/8" diameter hole |
| WCF-2201R | 2506 lbs. | 30"w x 24"d x 28"h | SS | 1/4" male flare | 3/8" I.D. x 3/16" O.D. | 7/8" diameter hole |

| PRODUCTION CHART | | | |
|------------------|-------------------|-----------|-----------|
| AIR-TEMPERATURE | WATER-TEMPERATURE | | |
| | 50°F | 70°F | 80°F |
| 50°F | 2506 lbs. | 2244 lbs. | 2112 lbs. |
| 70°F | 2280 lbs. | 2036 lbs. | 1916 lbs. |
| 90°F | 1901 lbs. | 1711 lbs. | 1628 lbs. |

| SPECIFICATIONS | | | | | | OPERATING LIMITS | | | | | |
|----------------|--------------|------------------|---------------------|------------------|-------------------|------------------|------------------|---------------------|-------------------|----------------|---------------|
| Model Number | Condenser | Refrigerant Type | Standard Electrical | Circuit Capacity | Maximum Fuse Size | Shipping Weight | Operating Weight | Ambient Temperature | Water Temperature | Water Pressure | Voltage Range |
| WCF-2201A | Air-Cooled | R-404a | 208-230/60/1 | 15 | 15 | 342 lbs. | 317 lbs. | 50°F-100°F | 50°F-90°F | 20-120 psi | 198-253 |
| WCF-2201W | Water-Cooled | R-404a | 208-230/60/1 | 15 | 15 | 342 lbs. | 317 lbs. | 50°F-100°F | 50°F-90°F | 20-120 psi | 198-253 |
| WCF-2201R* | AC Remote | R-404a | 208-230/60/1 | 15 | 15 | 342 lbs. | 317 lbs. | 50°F-100°F | 50°F-90°F | 20-120 psi | 198-253 |

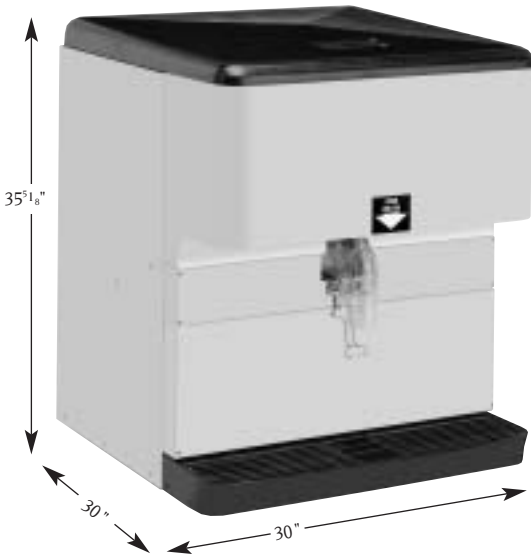
*Use Remote Condenser CR1200.

| DP-230 | | | | | | | |
|---|--------------------------|-------------------------|------------------|-----------------|------------------|---------------------|----------------------|
| Model | Nominal Storage Capacity | Dimensions | Cabinet Finish | Shipping Weight | Operating Weight | Standard Electrical | Method of Dispensing |
| DPP-230 | 200 lbs. | 30"w x 30"d x 59 3/8" h | All Polyethylene | 200 lbs. | 170 lbs. | 115/60/1 | Push Button |
| 161467000 | 200 lbs. | 30"w x 30"d x 59 3/8" h | All Polyethylene | 202 lbs. | 172 lbs. | 115/60/1 | Coin/Token |
| 161467001 | 200 lbs. | 30"w x 30"d x 59 3/8" h | All Polyethylene | 200 lbs. | 170 lbs. | 115/60/1 | Key Operated |
| 161467002 | 200 lbs. | 30"w x 30"d x 59 3/8" h | All Polyethylene | 200 lbs. | 170 lbs. | 115/60/1 | Card Key |
| Bin Drain: 1" vinyl tube | | | | | | | |
| Drain Connection: 1/2" FPT | | | | | | | |
| Use with any 22" or 30" "I" Series cube icemaker. | | | | | | | |



D-45

| D-45 | | | | | | | |
|----------------------------|-----------------------|--------------------------|-----------------------|---------------|-----------------|------------------|---------------------|
| Model Number | Model Dimensions | Nominal Storage Capacity | Cabinet Finish | Cup Clearance | Shipping Weight | Operating Weight | Standard Electrical |
| D-45 | 16" w x 22" d x 28" h | 45 lbs. | SS cabinet, ABS liner | 7" | 67 lbs. | 53 lbs. | 115/60/1 |
| Drain Connection: 3/4" FPT | | | | | | | |



ED-200

| ED-150/200/250/300 | | | | | | | | |
|---|-------------------------------|--------------------------|-----------------------|---------------|-----------------|------------------|---------------------|--|
| Model Number | Model Dimensions | Nominal Storage Capacity | Cabinet Finish | Cup Clearance | Shipping Weight | Operating Weight | Standard Electrical | |
| ED-150 | 22" w x 30" d x 35 5/8" h | 150 lbs. | SS cabinet, ABS liner | 10" | 151 lbs. | 135 lbs. | 115/60/1 | |
| ED-200 | 30" w x 30" d x 35 5/8" h | 200 lbs. | SS cabinet, ABS liner | 10" | 197 lbs. | 177 lbs. | 115/60/1 | |
| ED-250 | 30" w x 30" d x 39 5/8" h | 250 lbs. | SS cabinet, ABS liner | 10" | 201 lbs. | 180 lbs. | 115/60/1 | |
| ED-300 | 44 3/8" w x 30" d x 36 1/8" h | 300 lbs. | SS cabinet, ABS liner | 10" | 251 lbs. | 226 lbs. | 115/60/1 | |
| Drain Connection: 3/4" FPT | | | | | | | | |
| Use with Cornelius 330, 530, 630, 830, 1030 and 1230 "I" Series cube icemakers. | | | | | | | | |

| COMPATIBLE ICEMAKER "X" SERIES | | | | | | | | | |
|--------------------------------|-----|-----|-----|-----|-----|-----|------|------|------|
| Model Number | 322 | 522 | 330 | 530 | 630 | 830 | 1030 | 1230 | 1444 |
| D45 | | | | | | | | | |
| D100 | x | x | | | | | | | |
| ED150 | x | x | | | | | | | |
| ED200 | | | x | x | | | | | |
| ED250 | | | | x | x | x | | | |
| ED300 | | | | | | x | x | x | x |



REMOTE CONDENSERS

- Weatherproof housing
- High-efficiency copper and aluminum condenser
- Reduces air conditioning requirements

Cabinet Finish: Galvanized



Cornelius Bagger

- Time-saving
- No mess
- Less melting
- Convenient
- Innovative design

Dimensions: 22" w x 10 1/4" d x 28 1/2" h
Shipping weight: 15 lbs.

| Model Number | Refrigerant | Standard Electrical | Shipping Weight | Operating Weight | Dimensions |
|--------------|-------------|---------------------|-----------------|------------------|-----------------------------------|
| CR-500 | R-404-A | 115/60/1 | 72 lbs. | 68 lbs. | 18 1/4" w x 14" d x 34 3/4" h |
| CR-800 | R-404-A | 208-230/60/1 | 100 lbs. | 90 lbs. | 28 1/2" w x 14" d x 40 1/8" h |
| CR-1200 | R-404-A | 208-230/60/1 | 115 lbs. | 105 lbs. | 28 1/2" w x 14" d x 40 1/8" h |
| CR-1400 | R-404-A | 208-230/60/1 | 130 lbs. | 115 lbs. | 28 1/2" w x 14" d x 40 1/8" h |
| CR-2400 | R-404-A | 208-230/60/1 | 124 lbs. | 114 lbs. | 28 1/2" w x 15" d x 37 3/4" h |
| WC-1 | R-404-A | 208-230/60/1 | 62 lbs. | 57 lbs. | 21 1/4" w x 12 1/4" d x 16 1/2" h |
| WCU | R-404-A | 115/60/1 | 128 lbs. | 118 lbs. | 18 1/4" w x 25 1/4" d x 16 1/2" h |

| Model Number | Description |
|--------------|---------------------------------|
| B28 | Bagger w/sealing tape dispenser |
| BG8 | 1000 Count 81 lb. ice bags |
| TR2 | Sealing tape (single roll) |

ALL CORNELIUS PRODUCTS MEET APPROPRIATE AGENCY APPROVAL, AS LISTED BELOW.



4N19

CLASSIFIED TO NSF 12 - 1992



B122AP



B230AP



B322AP



B430AP



B530AP



B842SS



B1048SS



B1315SBB



FR-300SS with WCF700

● **WIDE SELECTION...**

Twelve models ranging from 120 to 1315 lbs. storage capacity.

● **CORROSION PROOF...**

All Cornelius storage bins constructed of rotomolded polyethylene or 304 grade stainless steel are virtually corrosion proof. Our standard baked enamel finished bins will provide years of corrosion resistant service.

● **EASY MAINTENANCE BIN LINERS...**

All rotomolded polyethylene bin liners will not crack, chip, dent or rust. Our seamless design with large radius corners allows for easy cleaning and enhances ice removal.

● **CFC FREE INSULATION...**

All Cornelius bins are constructed with an average 1½" of rigid CFC free foam insulation, providing superior insulation efficiency.

● **EXTRA WIDE DOORS...**

All Cornelius storage bins are equipped with full-width urethane foam insulated stainless steel doors with chemical resistant gasketing.

● **WARRANTY...**

All Cornelius storage bins are covered by our comprehensive product warranty. Contact your local Cornelius agent for warranty details.

| Bin Model | Dimensions | | | Nominal Storage Capacity | *Certified Storage Capacity | Cuber Series | | | | | | | | | | Chunklet/Flaker Series | | | | Shipping Weight. | | | |
|-----------|------------|---------|-----------|--------------------------|-----------------------------|--------------|-----|-----|-----|-----|-----|------|------|------|------|------------------------|-----|-----|------|------------------|------|--|----------|
| | W | D | H | | | 322 | 330 | 522 | 530 | 630 | 830 | 1030 | 1230 | 1444 | 1844 | 2448 | 500 | 700 | 1000 | | 2000 | | |
| B122 | 22" | 29" | 23½"* | 120 lbs. | 90 lbs. | x | | | | | | | | | | | | | | | | | 46 lbs. |
| B230 | 30" | 29" | 23½"* | 200 lbs. | 120 lbs. | 1 | x | 1 | | | | | | | | | | | | | | | 54 lbs. |
| B322 | 22" | 31¼" | 48"* | 300 lbs. | 260 lbs. | x | | x | | | | | | | | | 1 | 1 | | | | | 90 lbs. |
| B430 | 30" | 32½/16" | 38"* | 400 lbs. | 290 lbs. | 1 | x | 1 | x | x | | | | | | | 1 | 1 | | | | | 92 lbs. |
| B530 | 30" | 32½/16" | 48"* | 500 lbs. | 400 lbs. | 1 | x | 1 | x | x | | | | | | | 1 | 1 | | | | | 108 lbs. |
| B842 | 42" | 32" | 48"* | 800 lbs. | 580 lbs. | | | | | 1 | 1 | 1 | 1 | | | | 1 | 1 | 1 | | | | 160 lbs. |
| B1048 | 48" | 32" | 48"* | 1000 lbs. | 670 lbs. | | | | | 1 | 1 | 1 | 1 | 1 | 1 | x | 1 | 1 | 1 | 1 | | | 182 lbs. |
| 1315-SBB | 48" | 34" | 68"* | 1315 lbs. | 1160 lbs. | | | | | | | x | x | x | x | x | | | | x | x | | 360 lbs. |
| FR-300SS | 26½" | 42" | 38½/4"*** | 300 lbs. | 260 lbs. | | | | | | | | | | | | x | x | x | | | | 285 lbs. |

Rated in accordance with ARI standard 820-88.

1 - Top adapter required

* - Height dimensions include 6" adjustable legs

** - Bin supplied with 5" casters

MECHANICAL REQUIREMENTS FOR INSTALLATION OF CORNELIUS ICE MACHINES AND STORAGE BINS

LOCATION

Always locate the ice machine where ambient temperatures will not fall below 50°F nor rise above 100°F.

CLEARANCE

Always make certain the machine and storage bin will fit through all doors and hallways leading to the final installation site. When installed, there must be a 6-inch air clearance on rear, top and right side of Cornelius modular icemakers. Air intake and discharge areas require a 6-inch clearance on all machines. Keep in mind when selecting the icemaker location that modular machines may be stacked to increase production capacity as requirements grow.

UTILITY CONNECTIONS

Electrical, water and drain connections must be within 6 feet of machine location. All connections must meet national, state and local codes.

ELECTRICAL REQUIREMENTS

Separate circuits, fuses and/or breakers are required for each icemaker or dispenser. Wire, fuse and circuit breaker sizes must be calculated by a qualified electrician, based on the model's specifications and must meet all national, state and local codes.

PLUMBING REQUIREMENTS

Ice machines must always be connected to the building's **cold** water supply. For proper operation, water temperatures must not exceed 45°F-90°F and pressure must be within 20-120 psi. Icemaker drain tubing must be a minimum of 1/2" I.D. Bin drain tubing must be a minimum of 3/4" I.D. Icemaker and bin drains must be vented. Separate drain lines must be used for the icemaker and bin. Water-cooled condenser drains must not be vented nor connected to icemaker or bin drain lines. All plumbing must meet national, state and local codes.

| QUICK REFERENCE SIZING GUIDE BY CUSTOMER VOLUME | | | | | | |
|---|-------------------------------|-----------|-------|-------|--------|--------|
| Application | Sizing Guide (daily ice use) | Customers | | | | |
| | | 100 | 250 | 500 | 1,000 | 1,500 |
| (figures below include a 20% safety factor) | | | | | | |
| Restaurant | 1.5 lbs. ice per meal sold | 180 | 450 | 900 | 1,800 | 2,700 |
| Cocktail Bar | 3.0 lbs. ice per seat | 360 | 900 | 1,800 | 3,600 | 5,400 |
| Water Glass | 6 oz. ice per 12 oz. glass | 45 | 113 | 225 | 450 | 675 |
| Salad Bar | 35 lbs. of ice per cubic foot | — | — | — | — | — |
| Beverage Only | 5 oz. ice per 7-10 oz. cup | 38 | 94 | 188 | 375 | 563 |
| Beverage Only | 8 oz. ice per 12-16 oz. cup | 60 | 150 | 300 | 600 | 900 |
| Beverage Only | 12 oz. ice per 18-24 oz. cup | 90 | 225 | 450 | 900 | 1,350 |
| Guest Ice | 5 lbs. per hotel room | 600 | 1,500 | 3,000 | 6,000 | 9,000 |
| Hotel Catering | 1 lb. per person | 120 | 300 | 600 | 1,200 | 1,800 |
| Patient Ice | 10 lbs. per patient | 1,200 | 3,000 | 6,000 | 12,000 | 18,000 |
| Cafeteria | 1 lb. per person served | 120 | 300 | 600 | 1,200 | 1,800 |

QUICK SIZING GUIDELINES

To determine the ice usage in a bar or restaurant, count the number of chairs for customers, multiply that number by 3 lbs. of ice per bar stool and 1.5 lbs. per table seat. This should fulfill the customer's needs, unless they are offering self-serve beverages or there is an exceptionally large carry-out business. If the carry-out customer is at least one-third of the in-store business, add 1 lb. of ice for each carry-out customer. Nursing home and hospital ice needs are calculated in much the same way. It is only necessary to count the number of beds and refer to the following amounts: Hospitals need 10 lbs. of ice per bed; nursing homes require 6 lbs. of ice per bed. Be sure to take into consideration other uses such as cafeterias and staff dining rooms, provided these areas do not have their own icemakers. For churches or other places that use ice only once or twice a week, a small production machine on a large bin may be adequate and economical to fulfill an occasional need for ice. However, if this is done and two meetings are scheduled one after the other, the machine may not have time to adequately refill the bin before the start of the second engagement. When calculating total daily ice usage make certain to include all anticipated ice usage. The final step is to consult the Cornelius specification sheets for the model selected to determine its production capabilities under the operating conditions at the customer's place of business.

CALCULATION METHOD FOR SIZING ICE MACHINES AND STORAGE BINS

The quick reference sizing guide works well in many cases; however, more and more customers' ice needs are changing. Today's customers use ice for numerous applications such as product cooling, self-serve beverages, product packaging, display and, in some cases, retail package sales. To meet customer needs, a more detailed calculation of ice usage and storage requirements is required. Listed below are the formulas and guidelines for use in these calculations.

-sizing ICE MACHINES

SELF-SERVE BEVERAGES OR CARRY-OUT – You need to know the size and quantity of drinks sold. Refer to the following table. This table assumes the cups are completely filled with ice.

| Cup Size (fl. oz.) | Average Beverage (fl. oz.) | Average Ice (oz.) |
|--------------------|----------------------------|-------------------|
| 6 | 3 | 3 |
| 12 | 6 | 6 |
| 16 | 8 | 8 |
| 20 | 10 | 10 |
| 32 | 16 | 16 |
| 48 | 24 | 24 |

After establishing the number of different sized cups sold in a busy day and multiplying that number by the quantities indicated, a fairly accurate estimate can be determined. If the establishment uses an ice-cooled beverage dispenser, iced salad bar or some other type of display that requires ice, the amounts needed are examined separately under the Product Display/Packing and Coldplate Cooling sections.

COLDPLATE COOLING – To calculate the amount of ice consumed cooling the coldplate, choose the appropriate operating condition and multiply by the “average amount of beverage” in the “average cup size.”

| Drinks per min. | Soda/Syrup Inlet Temperature | | | | | |
|-----------------|------------------------------|-----|------|------|------|------|
| | 50 | 60 | 70 | 80 | 90 | 100 |
| 2 | 0.6 | 1.1 | 1.7 | 2.3 | 2.8 | 3.4 |
| 4 | 1.1 | 2.3 | 3.4 | 4.5 | 5.6 | 6.8 |
| 6 | 1.7 | 3.4 | 5.1 | 6.8 | 8.5 | 10.2 |
| 8 | 2.3 | 4.5 | 6.8 | 9.0 | 11.3 | 13.5 |
| 10 | 2.6 | 5.6 | 8.5 | 11.3 | 14.1 | 16.9 |
| 12 | 3.4 | 6.8 | 10.2 | 13.5 | 16.9 | 20.3 |
| 14 | 3.9 | 7.9 | 11.8 | 15.8 | 19.7 | 23.7 |

EXAMPLE:

Find the amount of ice “burned” on a coldplate for a system that has the following operating conditions:

1. 80°F inlet soda/syrup temperature
2. 6 vends/minute
3. 18 fl. oz. average amount of beverage drink

Therefore:

From the table choose row “6” and column “80.”

This gives a constant of **6.8**.

6.8 x 18 = 122.4 lbs./hour

PRODUCT DISPLAY/PACKING – To size an icemaker to handle product display or packing, it is necessary to determine the cubic feet of ice needed in 24 hours (length x width x depth). Since the calculations are done using the foot as the standard unit of measure, the depth must be converted into feet. If the depth is less than 12 inches, divide depth required by 12 to make the conversion to feet. A cubic foot of ice weighs approximately 35 lbs., so multiply the cubic feet of space to be used for product display or packing by 35 to determine the ice needs for a 24-hour period.

EXAMPLE:

A supermarket has a fish display case that is 25 feet long and 3 feet deep.

They wish to set the fish in ice to a depth of 6 inches (6 inches = .50 foot).

Ice requirement for 24 hours: 25 ft. x 3 ft. x .5 ft. = 37.5 cu.ft.

37.5 cu. ft. x 35 lbs. = 1,312.5 lbs.

SAMPLE:

A restaurant has 200 table seats with 4 turns per night, 20 stools at the bar and a salad bar that measures 6 ft. x 3 ft. with a required ice depth of 4 inches.

General ice usage: 20 (bar stools) x 3 lbs. = 60 lbs.

200 (seats) x 4 (turns) x 1.5 lbs. = 1,200 lbs.

Product display: 6 ft. x 3 ft. x .33 ft. = 5.94 cu. ft.

5.94 cu. ft. x 35 lbs. = 207.9 lbs.

Finally, add all ice usage to determine the requirement for a 24-hour period:

1,200 lbs. + 60 lbs. + 207.9 lbs. = 1,467.9 lbs. ice per day

The previous sizing methods assume that the icemaker will run continuously 24 hours a day. This total utilization of the icemaker gives the customer the most cost effective way of producing the required ice. It also requires the bin to be properly sized or the customer will run out of ice.

The example below shows how two operations can have very different usage patterns, yet still require the same size icemaker.

| | <u>Convenience Store</u> | <u>Restaurant</u> |
|--------------|--------------------------|-------------------|
| Monday | 400 lbs. | Closed |
| Tuesday | 400 lbs. | 200 lbs. |
| Wednesday | 400 lbs. | 200 lbs. |
| Thursday | 400 lbs. | 200 lbs. |
| Friday | 400 lbs. | 700 lbs. |
| Saturday | 400 lbs. | 800 lbs. |
| Sunday | <u>400 lbs.</u> | <u>700 lbs.</u> |
| Weekly Total | 2,800 lbs. | 2,800 lbs. |

Using our formula - 2,800 lbs. wkly. usage ÷ 7 days x 1.2 ("safety factor") = 480 lbs. ice/day

-sizing storage bins

When ice is used in equal amounts 7 days per week, as in our convenience store example, the storage bin can be sized to match the production capacity of the icemaker. Each day approximately 500 lbs. will be produced and 500 lbs. will be used.

Some people think that to size the bin they need only match the bin to the highest day's usage. This will not always work and often results in a customer running out of ice. If we had used this method for the restaurant example above, we would have specified an 800 lb. bin. On Friday, the restaurant would have used 700 lbs. of ice, leaving 100 lbs. in the bin. With Saturday's production of 500 lbs. we would have only 600 lbs. in the bin — and we would need 800 lbs. — leaving us 200 lbs. short on Saturday and again on Sunday. The result would be an unhappy customer.

This is the case in our restaurant example. There are three days — Friday, Saturday and Sunday — when the required amount of ice exceeds the production capacity of the icemaker (these are called "peaks"). In this case, the bin and not the icemaker should be sized to take care of these "peak" days.

The best way to determine the size bin required is to work backwards from the last "peak" day — in this case Sunday. Take the amount by which each day's usage exceeds the 500 lb. daily production of the icemaker.

| | |
|----------------------------------|--|
| Sunday usage | - 700 lbs. = 200 lbs. over production |
| Saturday usage | - 800 lbs. = 300 lbs. over production |
| Friday usage | - 700 lbs. = <u>200</u> lbs. over production |
| Total = 700 lbs. over production | |

Add the total (700 lbs.) to the daily production figure (500 lbs.) to get the bin capacity required to meet the restaurant's weekend demand for ice. This method tells us we need at least a 1,200 lb. bin.

Once you think you know the size of the bin required, you can check your estimate as follows:

Assuming the bin is empty Sunday evening, 500 lbs. will be produced on Monday with no usage, and another 500 lbs. on Tuesday for a total of 1,000 lbs. in the bin. Tuesday's usage of 200 lbs. will lower the bin contents to 800 lbs. but with 500 lbs. of production, the bin will be full at 1,200 lbs. on Wednesday. The same will be true for Thursday. As we enter the weekend peak period on Friday we have 1,200 lbs. in the bin from which we will use 700 lbs. This leaves 500 lbs. in the bin, plus 500 lbs. produced in 24 hours for a total of 1,000 lbs. Saturday's usage of 800 lbs. reduces the ice available to 200 lbs., plus 500 lbs. of production for a total of 700 lbs. - exactly the amount needed for Sunday's usage.

It's always a good idea to add the same 20% "safety factor" to the bin as we did to the icemaker. This adjusts for the ice voids and pyramiding that can occur in the bin. In the case of our restaurant, the addition of the "safety factor" means we would look for a bin with a storage capacity of approximately 1,400 lbs. (1,200 x 1.2 = 1,440). We can see that an icemaker rated at 500 lbs. of daily product would easily meet the needs of both of the previous examples, provided that the icemaker runs continuously.

A GENERAL REVIEW OF THE RULES FOR SIZING ICEMAKERS AND BINS

1. Ice needs are seldom uniform; more ice is generally needed in summer than in winter. Understanding the ice usage of the customer is a must to assure sufficient ice is available to meet peak demands. Remember, water temperature, as well as the surrounding air temperature, affects the output capacity of icemakers. Determine what these factors will be during the peak demand periods. Then verify the icemaker and storage bin selection by the preceding method and refer to the machine's production chart to determine the expected capacity under these conditions.
2. Determine the size of the icemaker required by dividing the "worst case" week's total ice usage by seven. Then add in a 20% "safety factor."
3. If equal amounts of ice are used each day (including weekends), size the bin to match the ice production.
4. If there are peaks (where a day's usage exceeds a day's production), size the bin to store adequate ice to meet the peak demand(s).
5. Remember that the per pound cost of making ice is about four times the per pound cost of storing ice. It's always much less expensive for the customer to meet their "peak" demands by using the storage bin when possible.
6. When sizing the bin, double-check the bin's true capacity, using the current ARI directory.
7. A final element to take into account is the shape of the bin, the location of the icemaker(s) on the bin, and the size and location of the icemaker(s)' ice discharge. An ice discharge opening centered on an extremely wide bin will result in much more pyramiding and, therefore, less storage.

CUBE ICE MACHINES

Model _____ manufactured by IMI Cornelius, rated in accordance with and certified to comply to ARI Standard 810-91, having a 24-hour production capacity of _____ lbs. at 90°F air and 70°F water temperatures. Cubers to be certified to NSF Standard 12 and display symbol of certifying agency. Ice machines will include, as standard equipment, the following:

- 304-grade stainless steel frame assembly and exterior panels.
- Built-in water strainer and pressure regulating flow control.
- Self-diagnosing solid state microprocessor control system, with programmable flush cycle.
- Thermistor-type sensors for uniform ice-thickness control and condenser fan control.
- Environmentally safe R-404a refrigerant.
- Split-compartment design, isolating critical components of wet environment.
- Non-corrosive ABS evaporator compartment.
- Epoxy encapsulated proximity switch for harvest termination and full bin control.

ICE STORAGE BIN

Model _____ manufactured by IMI Cornelius, rated in accordance with and certified to comply with ARI Standard 820-88, to have a storage capacity of _____ lbs. Exterior finish of _____, with interior liner of one-piece seamless roto-molded polyethylene. Ice machine with storage bin will measure _____" wide, _____" deep and _____" high including 6" adjustable legs. Storage bin to be certified to NSF Standard 12 and display symbol of certifying agency.

HOSPITALITY DISPENSER

Model _____ dispenser manufactured by IMI Cornelius, for use with series _____ cube ice machine. Dispenser to be rated in accordance with and certified to comply with ARI Standard 820-88, having a storage capacity of _____ lbs. Dispenser will be equipped to be actuated by _____ (push button, key, room card, coin/token) control. Storage bin to be classified to NSF Standard 12 and display symbol of certifying agency. The dispenser will include, as standard equipment, the following:

- Solid state adjustable portion control.
- Adjustable automatic off-cycle agitation.
- Interior and exterior roto-molded polyethylene construction.
- 6-inch adjustable legs.

FLAKE ICE MACHINES

Model _____ manufactured by IMI Cornelius, having a 24-hour production capacity of _____ lbs. at 90°F air and 70°F water temperatures. Flakers to be certified to NSF Standard 12 and display symbol of certifying agency. Flakers will include, as standard equipment, the following:

- 300 series stainless steel evaporator.
- Top-mounted auger drive mechanism.
- Manual reset auger motor overload control.



CATG 8699
© 2002 IMI Cornelius
www.cornelius.com

Free Manuals Download Website

<http://myh66.com>

<http://usermanuals.us>

<http://www.somanuals.com>

<http://www.4manuals.cc>

<http://www.manual-lib.com>

<http://www.404manual.com>

<http://www.luxmanual.com>

<http://aubethermostatmanual.com>

Golf course search by state

<http://golfingnear.com>

Email search by domain

<http://emailbydomain.com>

Auto manuals search

<http://auto.somanuals.com>

TV manuals search

<http://tv.somanuals.com>