



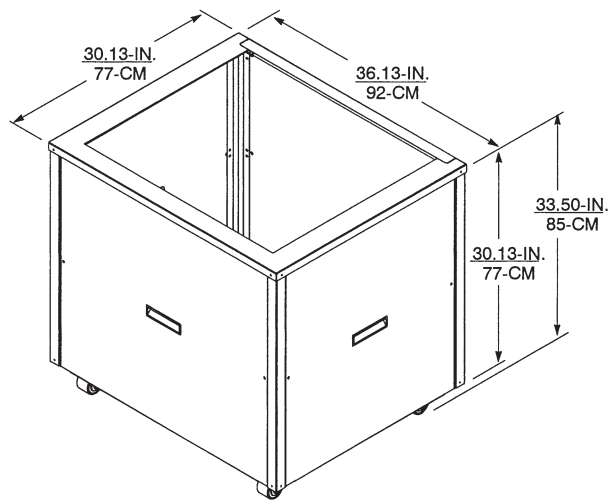
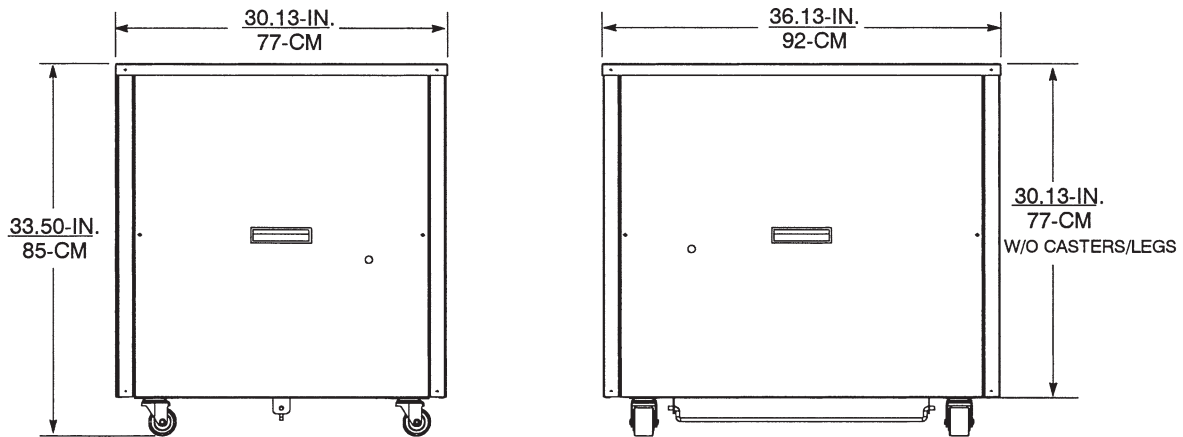
## **ICE DRINK DISPENSER STAND**

FOR INTRAFLEX PLUS 150 AND PROFILE 150



### **FEATURES:**

- Stainless steel construction
- Removable side panels for service access
- Includes 3.5" casters
- Beverage tubing support bracket opening for unit drain



PART NUMBER	DESCRIPTION
629087702	IntraFlex Plus 150 / Profile 150 stand for under counter ice drink dispenser only (will not accomodate UC700 ice maker) with 3.5" casters



© 2006 IMI CORNELIUS

IN THE U.S.A.  
Ph: 800.238.3600  
Fax: 763.488.4283

OUTSIDE THE U.S.A.  
Ph: 763.488.8200  
Fax: 763.488.4283

101 Broadway Street West  
Osseo, MN 55369  
www.cornelius.com

For more information or to place an order, contact your sales representative or authorized distributor.

## Free Manuals Download Website

<http://myh66.com>

<http://usermanuals.us>

<http://www.somanuals.com>

<http://www.4manuals.cc>

<http://www.manual-lib.com>

<http://www.404manual.com>

<http://www.luxmanual.com>

<http://aubethermostatmanual.com>

Golf course search by state

<http://golfingnear.com>

Email search by domain

<http://emailbydomain.com>

Auto manuals search

<http://auto.somanuals.com>

TV manuals search

<http://tv.somanuals.com>