



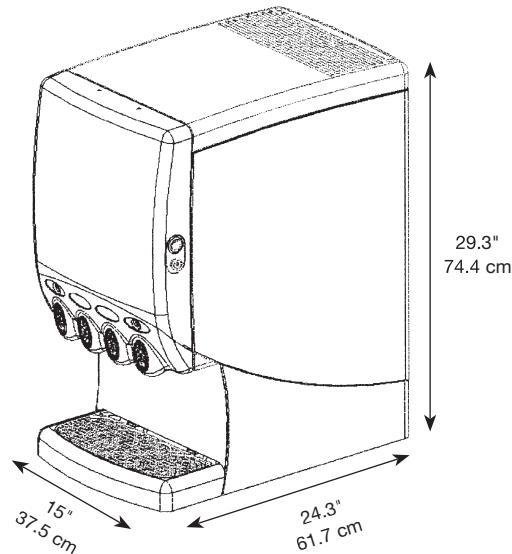
## QUEST 4000

4 FLAVOR POST-MIX  
JUICE DISPENSER



### FEATURES:

- Improved refrigeration system with solid-state ice bank control
- Large-capacity ice bank greatly improves draw performance, providing more cold drinks during peak demand
- Frost-free refrigeration compartment conveniently accommodates various juice packaging containers
- Narrow foot print conserves counter space
- State-of-the-art lighted merchandiser promotes impulse sales and brand recognition
- Contemporary styling is a combination of attractive gray plastic and sturdy stainless steel
- Modular component design simplifies service and sanitation
- Push button or portion control dispensing is available



PART NUMBER	DESCRIPTION
721544112	Quest 4 Flavor Push Button 115 V / 60 Hz
721544113	Quest 4 Flavor Portion Control 115 V / 60 Hz
721544102	Quest 4 Flavor Push Button 230 V / 50 Hz
721544104	Quest 4 Flavor Portion Control 230 V / 50 Hz
729011003	Extended Panel Kit for Pitchers/Carafes
720500066	Refillable Concentrate Reservoir (4) 3.5 L
729011152	Cup Locator
729011125	Bag-In-Box Option Kit
720601323	Syrup Separator

## TECHNICAL SPECIFICATIONS:

REFRIGERATION . . . . . Hermetically sealed system, R-134a refrigerant 6.2 oz (175 g)

ICE BANK . . . . . 16 lb

CABINETRY . . . . . High impact plastic cabinetry with stainless steel front panel

DISPENSER DIMENSIONS . . . . . 29.3"H x 15"W x 24.3"D (74.4 cm x 37.5 cm x 61.7 cm)

WEIGHT . . . . . Dry: 120 lb (54.4 kg)  
Operating: 185 lb (83.9 kg)  
Shipping: 135 lb (61.2 kg)

RECOMMENDED CLEARANCE . . . . . Back: 4" (10.16 cm)  
Top: 12" (30.48 cm)

WATER CONNECTION . . . . . 0.375" (0.95 cm) SAE male flare SAE fitting on dispenser

CONCENTRATE STORAGE . . . . . Four 3.5 L bottles

WATER SUPPLY REQUIREMENTS . . . . . 50 psi (3.4 bar):  
Recommended dynamic operating pressure  
80 psi (5.15 bar):  
Max static pressure  
20 psi (1.38 bar):  
Min dynamic pressure

COOLING . . . . . Three 12 oz drinks/min (355 mL) @ 75°F (24°C) ambient, 75°F (24°C) incoming water, and 40°F (4°C) concentrate w/o exceeding a 40°F (4°C)

FLOW RATE . . . . . Adjustable water flow rate from 1-2.2 oz/sec  
Handles 2 + 1 up to 7 + 1 concentrate

AGENCY LISTINGS . . . . .   



© 2008 IMI CORNELIUS

IN THE U.S.A.  
Ph: 800.238.3600  
Fax: 763.488.4283

OUTSIDE THE U.S.A.  
Ph: 763.488.8200  
Fax: 763.488.4283

101 Broadway Street West  
Osseo, MN 55369  
www.cornelius.com

For more information or to place an order, contact your sales representative or authorized distributor.

## Free Manuals Download Website

<http://myh66.com>

<http://usermanuals.us>

<http://www.somanuals.com>

<http://www.4manuals.cc>

<http://www.manual-lib.com>

<http://www.404manual.com>

<http://www.luxmanual.com>

<http://aubethermostatmanual.com>

Golf course search by state

<http://golfingnear.com>

Email search by domain

<http://emailbydomain.com>

Auto manuals search

<http://auto.somanuals.com>

TV manuals search

<http://tv.somanuals.com>