

# INSTALLATION INSTRUCTIONS

## ICE PROBE SUPPLEMENTAL HARNESS

The following instructions should be used for installation of the Ice Probe Supplemental Harness on Pinnacle FCB units. Each kit will upgrade the harness for 1 main board (2 barrels).

### Parts List

Item Number	Description	Qty
1	Harness for Connector J7	1
2	Harness for Connector J18	1

### Tools Required

Flat Screwdriver  
 ¼" Nut Driver



**CAUTION** – Only trained and certified electrical technicians should service this unit. ALL WIRING MUST CONFORM TO NATIONAL AND LOCAL CODES.



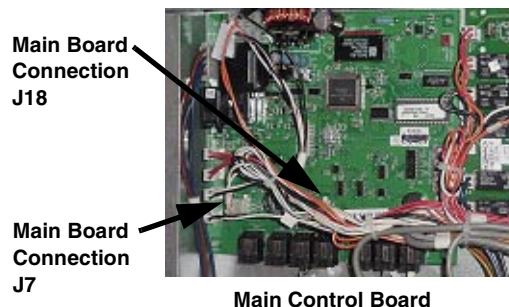
**CAUTION** – This installation will be around electrical components in the control box. Use caution to avoid electrical shock.



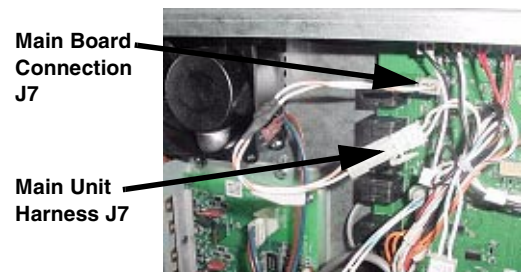
**WARNING** – HIGH VOLTAGE is present on the Inverter Board for 5 minutes after the unit is unplugged. Working on the unit before the 5 minutes has passed may result in electrical shock or death.

### Installation Steps

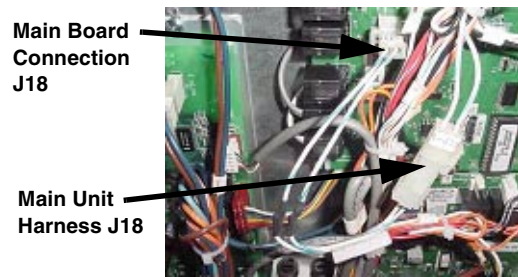
1. Switch the power to the unit off or remove the fuse to the electrical power circuit breaker.
2. Lift the merchandiser to gain access to the control box front. Remove the screws that hold the control box door closed to gain access to the Main Control Board.



3. Disconnect the connector J7 from the Main Control Board.
4. Using the provided White/Orange harness, connect the Male end to the Main Control Board at J7 and the Female end to the Male end of the main unit harness J7.



5. Disconnect the connector J18 from the Main Control Board.
6. Using the provided White/Blue Harness, connect the Male end to the Main Control board at J18 and the Female end to the Male end of the main unit harness J18.



7. Replace the screws that hold the control box door closed.
8. Switch the power to the unit on. After the unit runs through the initialization, turn both barrels on. Verify that the unit starts to refrigerate the barrels by drawing enough product to cycle the blender.

## Free Manuals Download Website

<http://myh66.com>

<http://usermanuals.us>

<http://www.somanuals.com>

<http://www.4manuals.cc>

<http://www.manual-lib.com>

<http://www.404manual.com>

<http://www.luxmanual.com>

<http://aubethermostatmanual.com>

Golf course search by state

<http://golfingnear.com>

Email search by domain

<http://emailbydomain.com>

Auto manuals search

<http://auto.somanuals.com>

TV manuals search

<http://tv.somanuals.com>