

TABLE OF INSTALLATION MEASUREMENTS

HP46.4	
A- Mounting Depth	1 5/8" (42mm)
B- Mounting Bolt Centers	3" x 5 1/4" (76 x 133 mm)
C- Speaker Size	4" x 6" (102 x 152 mm)

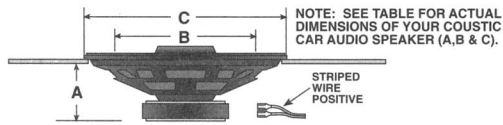


Figure 1. Installation Measurements

IN-DASH MOUNTING FOR GM VEHICLES

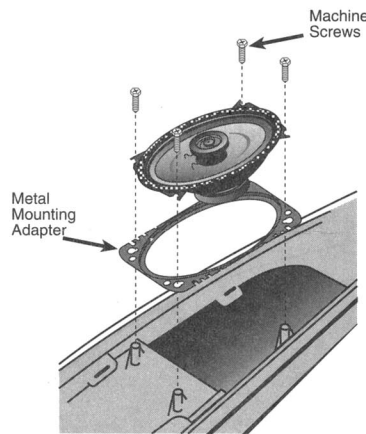


Figure 2. Typical Mounting using Metal Mounting Adapter

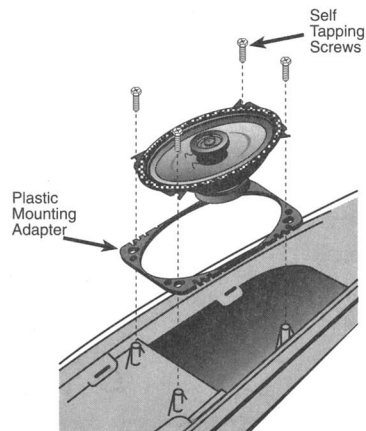


Figure 3. Typical Mounting using Plastic Mounting Adapter

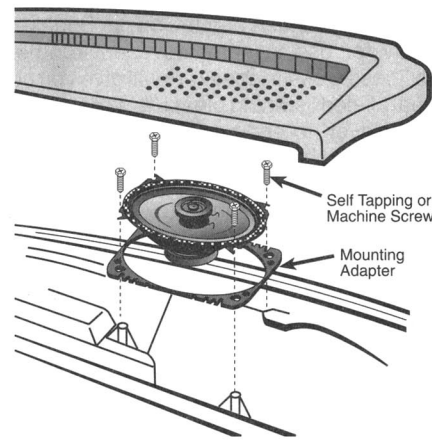


Figure 4. Top Mount using Plastic Mounting Adapter.

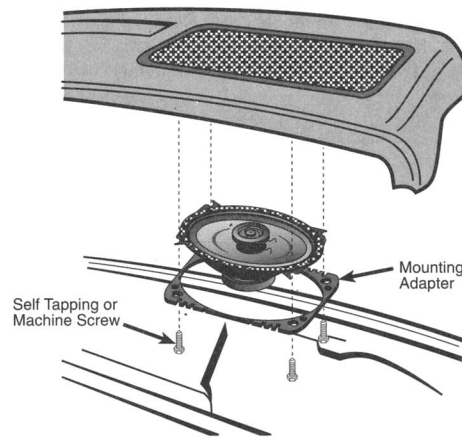


Figure 5. Bottom Mount using Plastic Mounting Adapter.

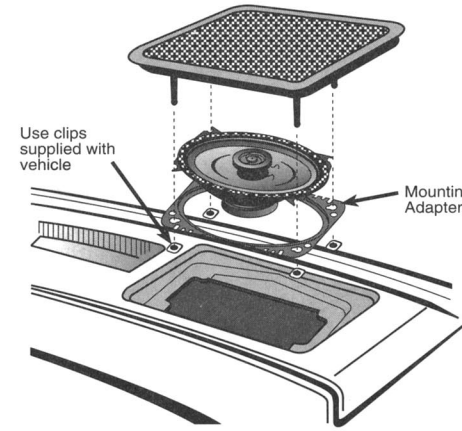


Figure 6. Bottom Mount using Metal Mounting Adapter.

INSTALLATION FOR FORIEGN VEHICLES

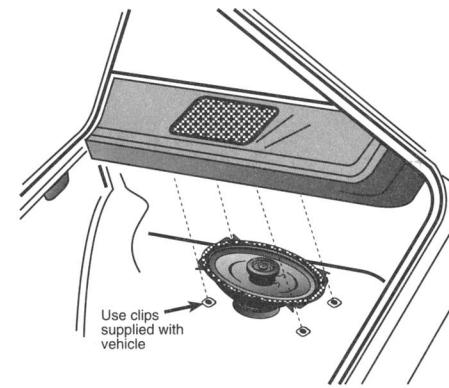


Figure 7. Rear Deck Mount for Volkswagen Golf

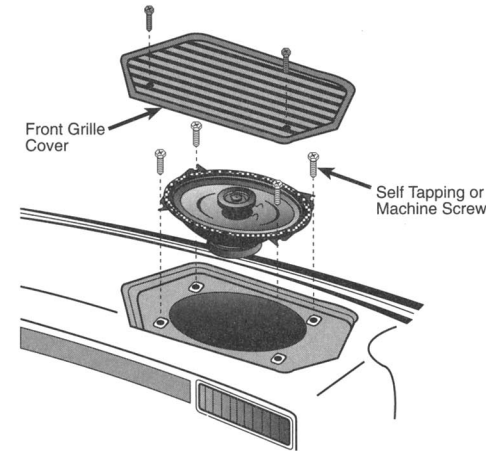


Figure 8. Front Dash Mount for S-Series Mercedes

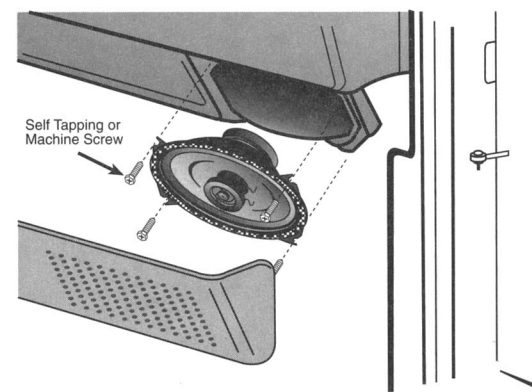


Figure 9. Front Dash Mount for Fiat

INSTALLATION FOR DOOR MOUNT

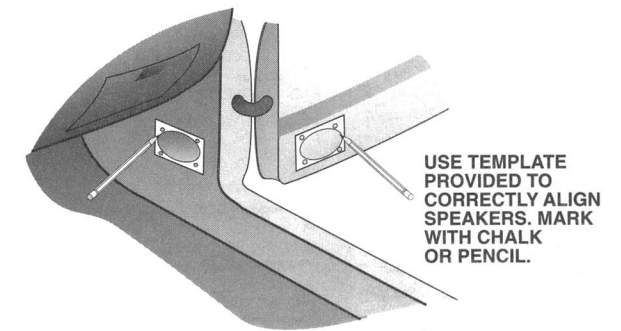


Figure 10. Marking Holes

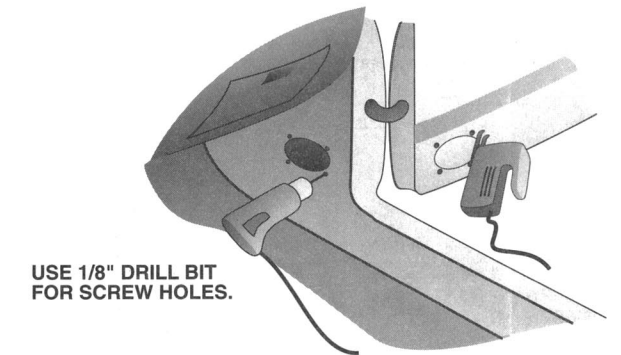
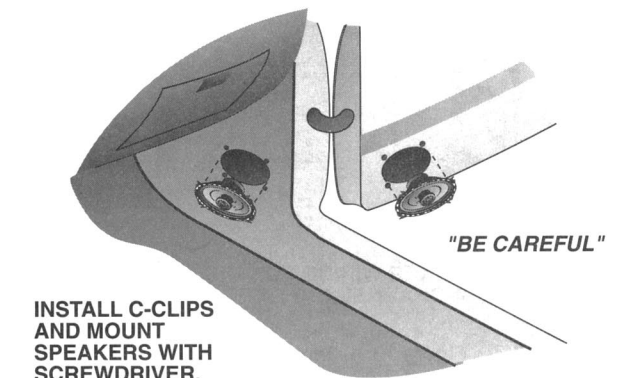


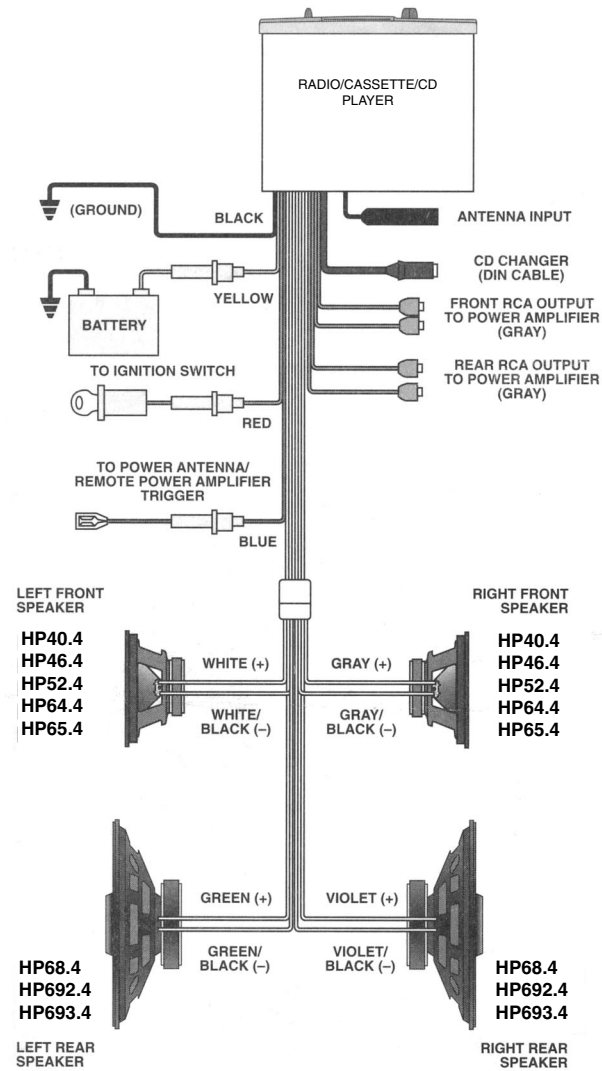
Figure 11. Cutting and Drilling Holes



INSTALL C-CLIPS AND MOUNT SPEAKERS WITH SCREWDRIVER.

Figure 12. Installing Speakers

GENERAL WIRING DIAGRAM



SPEAKER WIRING FOR USE IN 4-CHANNEL OPERATION.

Figure 13. 4-Ohm Connection.

Cooustic®

CAR AUDIO

INSTALLATION INSTRUCTIONS

MODEL:
HP46.4 4" X 6" Two-Way

Congratulations...

On your purchase of our Cooustic speakers engineered specially for use in automotive environments. Over the years these Cooustic speakers will give you countless hours of unparalleled listening pleasure while you are on the road.

However, to ensure that your Cooustic speakers perform at their highest level of efficiency, read the instructions thoroughly and follow the precautionary steps and instructions as listed. That done, you will then have superb sound reproduction from speakers designed specifically by Cooustic for use in automobiles.

But Cooustic does not just manufacture automotive speakers, we also build innovative power amplifiers, high performance subwoofers, state-of-the-art real-time analyzers and esoteric electronic crossovers. In other words, everything you need to create the ultimate car audio.

SPECIFICATIONS

	Power Handling (watts)	Frequency Response (±5dB)	Sensitivity (1 watt, 1 meter)	Input Impedance
HP46.4	65 watts	58-20k Hz	90 dB SPL	4 Ohms

INSTALLATION PREPARATIONS AND PRECAUTIONS

1. Make sure car audio system is turned off before speaker installation begins.
2. Metal clips and filings should be kept away from speakers; **WORK AS CLEANLY AS POSSIBLE.**
3. Install each speaker as firmly as possible. To maximize high frequency reproduction, make sure there is no obstruction between speaker and interior of the vehicle.
4. Make sure speaker cone has sufficient breathing room.
5. Speakers must be wired **IN PHASE** to produce the best sound fidelity. Double check audio system for correct phasing (i.e., "+" → "+", "-" → "-").
6. Before doing any cutting or drilling, check all clearances and mounting locations again. Check position of both speakers (not just one) in case car doors are not symmetrical (e.g., multiple electric window controls on the driver's side only).

INSTALLATION

The HP46.4 is designed to fit European and GM vehicles without extra adapters. Refer to the different installation applications outlined in this instruction.

Cooustic Car Audio
7676 South 46th Street, Suite 2020
Phoenix, AZ 85040

www.cooustic.com
©2000 COUSTIC is a registered trademark of the Mitek Corporation
All Rights Reserved.

#21A3972

Free Manuals Download Website

<http://myh66.com>

<http://usermanuals.us>

<http://www.somanuals.com>

<http://www.4manuals.cc>

<http://www.manual-lib.com>

<http://www.404manual.com>

<http://www.luxmanual.com>

<http://aubethermostatmanual.com>

Golf course search by state

<http://golfingnear.com>

Email search by domain

<http://emailbydomain.com>

Auto manuals search

<http://auto.somanuals.com>

TV manuals search

<http://tv.somanuals.com>