

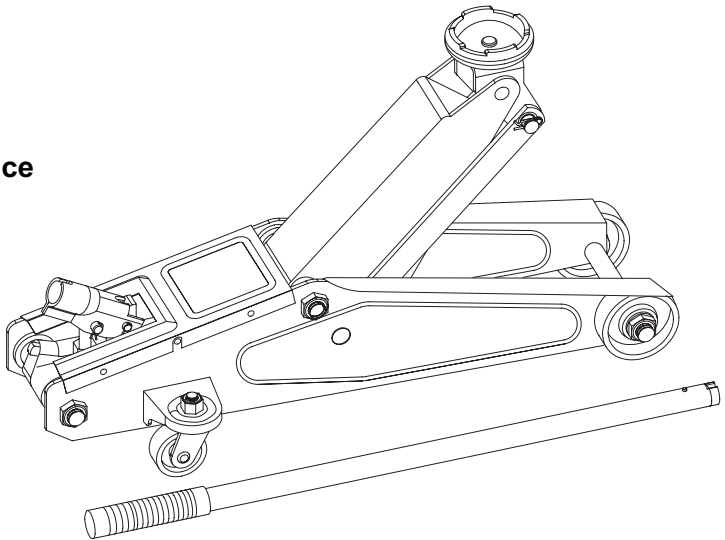
Operators Manual



FLOOR JACK

Model ⁹50138 - 2-1/4 Ton Capacity

- Safety
- Operation
- Maintenance
- Parts



! **BEFORE** using this product, read this manual and follow all its Safety and Operating instructions. Failure to do so may result in personal injury and/or property damage.

Sears, Roebuck and Co., Hoffman Estates, IL 60179
Visit our Craftsman website: www.sears.com/craftsman

Printed in China

TABLE OF CONTENTS

WarrantyP. 2
Save these instructionsP. 2
Safety instructionsP. 3
OperationP. 4 & P. 5
MaintenanceP. 6
TroubleshootingP. 7
PartsP. 7
ServiceBack cover

WARRANTY

CRAFTSMAN ONE YEAR FULL WARRANTY

If this Craftsman product fails due to a defect in material or workmanship within one year from the date of purchase, return it to any Sears store or other Craftsman outlet in the United States for free replacement.

This warranty applies for only 90 days from the date of purchase if this product is ever used for commercial or rental purposes.

This warranty gives you specific legal rights, and you may also have other rights which vary from state to state.

Sears, Roebuck and Co., Hoffman Estates, IL 60179

SAVE THESE INSTRUCTIONS

For your safety, read, understand, and follow the information provided with and on this jack.

- The owner and operator of this equipment shall have an understanding of this jack and safe operating procedures before attempting to use. The owner and operator shall be aware that use and repair of this product may require special skills and knowledge. Instructions and safety information shall be conveyed in the operators native language before use of this product is authorized. If any doubt exists as to the safe and proper use of this jack, remove from service immediately.
- Inspect before each use. Do not use if broken, bent, cracked, or damaged parts (including labels) are noted. Any jack that appears damaged in any way, operates abnormally or is missing parts, shall be removed from service immediately.
- If the jack has been or suspected to have been subjected to a shock load (a load dropped suddenly, unexpectedly upon it), immediately discontinue use until jack has been checked by a Sears or other qualified service center. It is recommended that an annual inspection be done by qualified personnel.
- Labels and Operators Manual are available from Sears (see PARTS section on page 7).

SAFETY INSTRUCTIONS

⚠ WARNING

- Study, understand, and follow all instructions provided with and on this device before use.
- Do not exceed rated capacity.
- Use only on hard, level surfaces.
- Lifting device only.
- Immediately after lifting, support the vehicle with appropriately rated jack stands.
- Do not move or dolly the vehicle while on the jack.
- Failure to heed these markings may result in personal injury and/or property damage.

! SAFETY MESSAGE !

Be sure all tools and personnel are clear before lowering load. No alterations shall be made to this device. Only attachments and/or adapters supplied by the manufacturer shall be used. Lift only on areas of the vehicle as specified by the vehicle manufacturer.

NOTE: Jack stands are rated per pair unless otherwise noted.

Use 1 matched pair per vehicle only.

⚠ WARNING



- To avoid crushing and related injuries:
- NEVER work on, under or around a load supported only by a jack.
 - ALWAYS use appropriately rated jack stands.

⚠ ADVERTENCIA

- Leer, comprender, y seguir las instrucciones antes de utilizar el aparato.
- El manual de instrucciones y la información de seguridad deben estar comunicado en lengua del operador antes del uso.
- No seguir estas indicaciones puede causar daños personales o materiales.

OPERATION

KNOW YOUR JACK

Compare Fig. 1 illustration with your jack BEFORE operation to become familiar with the location of various jack components.

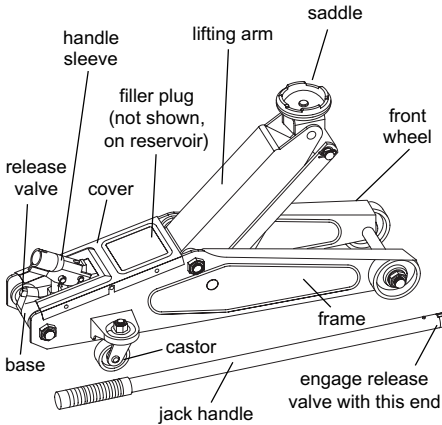


FIG. 1

SPECIFICATIONS

Rated Capacity: 2-1/4 Ton/4500 Lbs

Jack Dimensions: 21" x 8-1/2" x 5-1/2"

Lifting Range: 5-1/2" ~ 15" (Approx.)
(140mm - 381mm)

Oil Capacity: 90 cc ± 5 cc

Net Weight: 27.1 lbs. (Approx.)

BEFORE USE

- Read the operator's manual completely and familiarize yourself thoroughly with the product, its components and recognize the hazards associated with its use.
- Occasionally during shipment and/or handling air can get trapped in the system, which can interfere with the jacks lifting performance.
- It is recommended to cycle the jack a few times without applying load:
 - Engage release valve with notched end of jack handle. Close release valve by turning the jack handle clockwise until tight.
 - Insert jack handle into handle sleeve. Pump the handle until the jack saddle reaches its maximum height.
 - Engage release valve with notched end of jack handle. Open release valve by turning jack handle counterclockwise, but no more than 1/2 full turn. Allow the saddle to reach its lowest position.
 - Repeat the above procedure a few times.
- To release air from the hydraulic system:
 - Engage release valve with notched end of jack handle. Open the release valve by turning the jack handle counterclockwise, but never by more than 1/2 full turn.
 - Remove the oil filler plug from the cylinder. (see Fig. 2)
 - Insert jack handle into handle sleeve. Rapidly pump jack handle through several full strokes.
 - Reinstall the oil filler plug into the cylinder again and jack is now ready to use.

OPERATION

OPERATING PRINCIPLES

- With release valve closed, an upward stroke of the jack handle draws oil from the reservoir tank into the plunger cavity. Hydraulic pressure holds a valve closed, which keeps the oil in the plunger cavity.
- A downward stroke of the jack handle releases oil into the cylinder, which forces the ram out. This raises the saddle. (NOTE: To avoid damage to the cylinder if the load exceeds the rated capacity of the jack, oil is automatically released back into the reservoir through the safety overload valve.)
- When the ram reaches maximum extension, oil is bypassed back into the reservoir to prevent an over-extended ram stroke and possible damage to the jack.
- Opening the release valve allows oil to flow back into the reservoir. This releases hydraulic pressure on the ram, which results in lowering the saddle.

HOW TO USE YOUR JACK

RAISING THE JACK

- With notched end of the jack handle (see Fig. 1) close release valve by turning the handle clockwise.
- Chock the vehicle's wheel with appropriate devices to ensure lifting stability.
- Refer to the vehicle manufacturer's owners manual to locate approved lifting points on the vehicle. Position jack so that the saddle is centered under the load at an appropriate lift point.
- Insert jack handle into handle sleeve. Pump jack handle until saddle almost contacts the vehicle. Check to see that the saddle is centered and will contact the load lifting point firmly.

- Continue to pump the jack handle to lift the vehicle to the desired height. After lifting, support the load with appropriately rated jack stands **BEFORE** working on the vehicle.

⚠ Rated capacity of jack stands is **per pair**, it is **NOT** the sum of individual capacities unless specifically noted to the contrary by the jack stand manufacturer. **Do Not** exceed rated capacity. **Ensure** that the vehicle support points are fully captured between the outer lugs of both jack stands. **Use** a matched pair of jack stands **per vehicle to support 1 end only. Use 1 pair per vehicle only.** Failure to do so may result in sudden loss of load, which may cause personal injury and/or property damage.

LOWERING THE JACK

⚠ To avoid crushing injuries and property damage: Keep hands and feet clear of work area when lowering load.

- Raise load high enough to clear the jack stands, then carefully remove jack stands (**always** used in pairs).
- With notched end of jack handle, **SLOWLY** open the release valve by turning the handle counterclockwise, but never more than 1/2 full turn. If the load fails to lower:
 - a. Use another jack to raise the vehicle high enough to reinstall jack stands.
 - b. Remove the affected jack and then the stands.
 - c. Using the other jack, lower the load by turning the operating handle counterclockwise, but no more than 1/2 full turn.
- After removing jack from under the load, push saddle down to reduce ram exposure to rust and contamination.

MAINTENANCE

MAINTAINING OIL LEVEL

Important: When adding or replacing oil, ALWAYS use a good grade Hydraulic Jack oil. We recommend Mobil DTE13M or equivalent. DO NOT use Hydraulic Brake Fluid, Alcohol, Glycerine, Detergent, Motor Oil or dirty oil. Use of an improper fluid can cause serious internal damage to your jack.

ADDING OIL

- Position the jack on level ground and fully lower the saddle. (Ram will be all the way in). Remove oil filler plug located under cover plate (see Fig. 2).
- Oil should be filled to the level of about 3/16" above the inner cylinder as seen from the oil filler hole. If low, add oil as needed.
- Re-install oil filler plug and cover plate. The jack is now ready to use.

LUBRICATION

- Add lubricating oil to all moving parts as needed.

PREVENTING RUST

- Check ram and pump plunger (see Fig. 2) every few months for any signs of rust or corrosion. Clean as needed by wiping with an oily cloth.

- When not in use, ALWAYS store jack with saddle lowered all the way down.

ANNUAL INSPECTION

To ensure that it is in optimum condition, annual inspection of the jack at a Sears Service Center is recommended.

REPLACING OIL

- To drain oil, remove cover plate and oil filler plug and open release valve. Turn jack over and drain old oil out through the oil filler hole and into a suitable container.
Note: Dispose of hydraulic oil in accordance with local regulations.
- Refill with new oil through the oil filler hole. DO NOT allow dirt or foreign material to enter the hydraulic system when filling.
- After refilling, remove any air from the hydraulic system by opening the release valve and rapidly pumping the jack handle several times.
- Re-install oil filler plug and cover plate and the jack is ready to use.

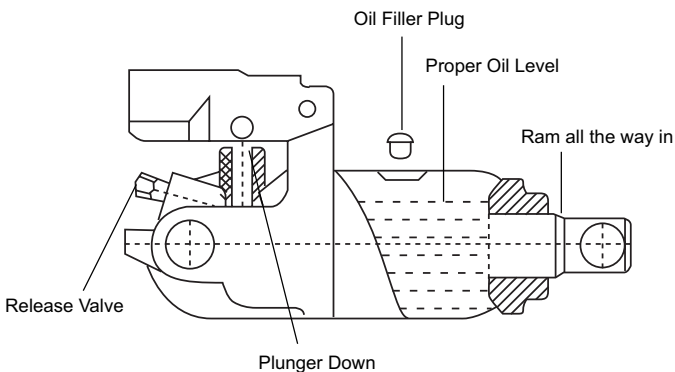


FIG. 2

TROUBLESHOOTING

PROBLEM-SOLVING HINTS

Symptom	Possible Causes	Corrective Action
Jack does not lift load	<ul style="list-style-type: none"> • Release valve not tightly closed • Overloaded - too much weight on jack 	<ul style="list-style-type: none"> • Ensure release valve is tightly closed • Reduce weight on jack
Jack bleeds off (starts to lower) after lift	<ul style="list-style-type: none"> • Release valve not tightly closed • Hydraulic unit malfunction 	<ul style="list-style-type: none"> • Ensure release valve is tightly closed • Replace power unit assembly
Jack does not lower after unloading	<ul style="list-style-type: none"> • Oil reservoir overfilled • Linkages binding 	<ul style="list-style-type: none"> • Drain fluid to proper level • Clean and lubricate moving parts
Poor lift performance	<ul style="list-style-type: none"> • Fluid level low • Air trapped in system 	<ul style="list-style-type: none"> • Ensure proper fluid level • With ram fully retracted, open release valve, pump handle several times to expel trapped air
Does not lift to full extension	<ul style="list-style-type: none"> • Fluid level low 	<ul style="list-style-type: none"> • Ensure proper fluid level

PARTS

MODEL NUMBER: 50138

The Model Number and Serial Number are found on the lifting arm and handle socket respectively. Always mention the Model Number and Serial Number when requesting service or repair parts for your jack.

INDIVIDUAL PARTS ARE NOT AVAILABLE FOR REPLACEMENT ASSMBLIES

Key	Description
1	Saddle
2	Power Unit Assembly
3	Handle Assembly
4	Front Wheel Assembly
5	Rear Castor Assembly
6	Cover Plate
7	Oil Filler Plug
—	Operators Manual
—	Warning Label

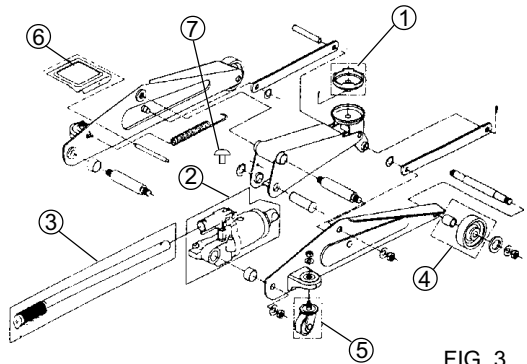


FIG. 3

For after sale support and assistance:
Call 8:00 AM - 4:45 PM CST., Monday - Friday 1-888-332-6419

Get it fixed, at your home or ours!

Your Home

For repair – **in your home** – of all major brand appliances, lawn and garden equipment, or heating and cooling systems, **no matter who made it, no matter who sold it!**

For the replacement parts, accessories and owner's manuals that you need to do-it-yourself.

For Sears professional installation of home appliances and items like garage door openers and water heaters.

1-800-4-MY-HOME®
(1-800-469-4663)

Call anytime, day or night
(U.S.A. and Canada)

www.sears.com

www.sears.ca

Our Home

For repair of carry-in items like vacuums, lawn equipment, and electronics, call or go on-line for the location of your nearest **Sears Parts and Repair Center.**

1-800-488-1222 Call anytime, day or night (U.S.A. only)
www.sears.com

To purchase a protection agreement (U.S.A.) or maintenance agreement (Canada) on a product serviced by Sears:

1-800-827-6665 (U.S.A.)

1-800-361-6665 (Canada)

Para pedir servicio de reparación a domicilio, y para ordenar piezas:

1-888-SU-HOGAR®
(1-888-784-6427)

Au Canada pour service en français:

1-800-LE-FOYER^{MC}
(1-800-533-6937)
www.sears.ca



© Sears Brands, LLC

® Registered Trademark / ™ Trademark / ℠ Service Mark of Sears Brands, LLC

® Marca Registrada / ™ Marca de Fábrica / ℠ Marca de Servicio de Sears Brands, LLC

^{MC} Marque de commerce / ^{MD} Marque déposée de Sears Brands, LLC

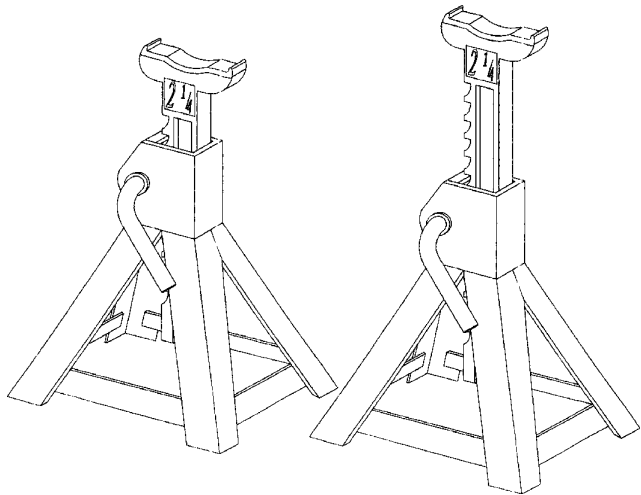
Operators Manual



JACK STANDS

Model 950176 - 2-1/4 Ton Capacity per pair

- Safety
- Assembly
- Operation



! **BEFORE** using this product, read this manual and follow all its Safety and Operating instructions. Failure to do so may result in personal injury and/or property damage.

Sears, Roebuck and Co., Hoffman Estates, IL 60179
Visit our Craftsman website: www.sears.com/craftsman

Printed in China

TABLE OF CONTENTS

WarrantyP. 2
Save these instructionsP. 2
Safety instructionsP. 3
AssemblyP. 3
OperationP. 4
MaintenanceP. 4
ServiceBack cover

WARRANTY

CRAFTSMAN ONE YEAR FULL WARRANTY

If this Craftsman product fails due to a defect in material or workmanship within one year from the date of purchase, return it to any Sears store or other Craftsman outlet in the United States for free replacement.

This warranty applies for only 90 days from the date of purchase if this product is ever used for commercial or rental purposes.

This warranty gives you specific legal rights, and you may also have other rights which vary from state to state.

Sears, Roebuck and Co., Hoffman Estates, IL 60179

SAVE THESE INSTRUCTIONS

For your safety, read and understand the information contained with and on the product.

- The owner and operator shall have an understanding of this product and safe operating procedures before attempting to use this product.
- Instructions and safety information shall be conveyed in the operators native language before use of this product is authorized. Make certain that the operator thoroughly understands the inherent dangers associated with the use and misuse of the product. If any doubt exists as to the safe and proper use of this product as outlined in the factory authorized manual, remove from immediately. These jack stands must be used as a matched pair to support one end of a vehicle only.
- Inspect before each use. Do not use if broken, bent, cracked or otherwise damaged parts are noted. If the product has been or suspected to have been subjected to a shock load, discontinue use until checked out by a Sears service center. Owners and operators of this equipment shall be aware that the use and subsequent repair of this equipment may require special training and knowledge.
- It is recommended that an annual inspection be done by qualified personnel and that any missing or damaged parts, decals, warning / safety labels or signs be replaced with Sears authorized replacement parts only. Any jack stand that appears to be damaged in any way, is worn or operated abnormally should be removed from service immediately.
- Labels and Operators Manual are available from Sears.

SAFETY INSTRUCTIONS

⚠ WARNING

- Study, understand, and follow all printed materials provided with and on this device before use.
- **Rated capacity is per pair!** Do not exceed rated capacity.
- Use as matched pair to support one end of a vehicle only. Use only **1 pair per vehicle**.
- Use only on hard, level surfaces.
- Center load on saddle.
- Jack stands are not to be used to simultaneously support both ends or one side of a vehicle.
- No alteration shall be made to this device.
- Failure to heed these markings may result in personal injury and/or property damage.

⚠ ADVERTENCIA

- Leer, comprender, y seguir las instrucciones antes de utilizar el aparato.
- El manual de instrucciones y la información de seguridad deben estar comunicado en lengua del operador antes del uso.
- No seguir estas indicaciones puede causar daños personales o materiales.

! SAFETY MESSAGE !

Be sure all tools and personnel are clear before lowering load. No alterations shall be made to this device. Only attachments and/or adapters supplied by the manufacturer shall be used. Lift only on areas of the vehicle as specified by the vehicle manufacturer.

INSPECTION

Inspect the Jack Stands before each use. Do not use if bent, broken or cracked components are noted.

ASSEMBLY

CARTON CONTENTS

Inside the carton box, you will find:

1. Two jack stand frames.
2. Two ratchet bars.
3. Two lock pins.

HOW TO ASSEMBLE JACK STANDS (refer to Fig. 1)

1. Insert the ratchet bar into frame, orient the ratchet side to the pawl side of frame.
2. Move the ratchet bar to lowest position by raising the locking handle and guiding the bar downward.
3. Support the ratchet bar with suitably sized wooden block. With hammer and punch or other suitable tool, drive the lock pin into the hole at the bottom of the ratchet bar to prevent overextension and loss of the bar.

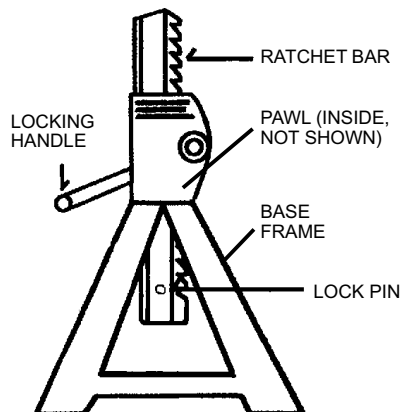


FIG. 1

OPERATION

BEFORE USE

1. Inspect stands before each use. Do not use if bent, broken or cracked components are noted. Ensure that all parts move freely.
2. Before using this product, read the owner's manual and familiarize yourself thoroughly with the product and the hazards associated with its improper use.

KNOW YOUR JACK STANDS

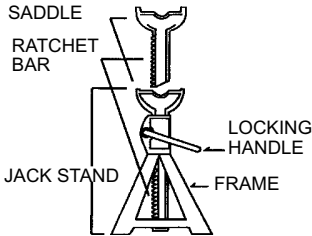


FIG. 2

HOW TO USE YOUR JACK STANDS TO SUPPORT A VEHICLE

1. Raise the vehicle or load with an automotive jack.
2. Adjust jack stand height by pulling up on ratchet bar. The weight of the locking handle should lock the ratchet bar into a secure position. To verify this, simply push down on the locking handle to ensure that the ratchet bar is secured.
3. Carefully position the stands beneath the load so that when load is lowered it will contact the center of the jack stand saddles.

4. Always use jack stands as a pair and only on those parts of a vehicle which can be fully captured between the outer lugs of each stand's saddle.

⚠️ Rated capacity of jack stands is per pair, it is NOT the sum of individual capacities unless specifically noted to the contrary by the jack stand manufacturer. Do Not exceed rated capacity. Ensure that the vehicle support points are fully captured between the outer lugs of both jack stands. Use a matched pair of jack stands per vehicle to support 1 end only. Use 1 pair per vehicle only. Failure to do so may result in sudden loss of load, which may cause personal injury and/or property damage.

5. Slowly and carefully lower the load completely onto the stands, ensure that the load is centered and captured as described in Step 4.
6. Check to ensure that load is secure on stands before working under vehicle.

TO REMOVE AND STORE JACK STANDS

1. Raise vehicle clear of stands with suitable jack.
2. Raise the locking handle to allow ratchet bar to glide down to lowest position.
3. Carefully remove stands.
4. Carefully lower vehicle with jack.
5. Ensure that all tools, equipment and personnel are clear before lowering load.

SPECIFICATIONS

MODEL	CAPACITY PER PAIR	MIN. HEIGHT	MAX. HEIGHT	BASE DIMENSION	NET WEIGHT(2 pcs.)
50176	2-1/4 TON	10-5/8 in. (270mm)	17-1/8 in. (435mm)	7-1/2 X 6-3/4 in.	11.4 LBS (APPROX.)

MAINTENANCE

INSPECTION

Periodically inspect each stand. Ensure all parts move freely. Do not apply oil or grease to any portion of this product. If rust appears, sand affected area and cover with suitable utility paint. Please note that there are no replacement parts applicable to this device.

STORAGE

Store stands in upright position and in a clean, dry area.

For after sale support and assistance:

Call 8:00 AM - 4:45 PM CST., Monday - Friday 1-888-332-6419

Get it fixed, at your home or ours!

Your Home

For repair – **in your home** – of all major brand appliances, lawn and garden equipment, or heating and cooling systems, **no matter who made it, no matter who sold it!**

For the replacement parts, accessories and owner's manuals that you need to do-it-yourself.

For Sears professional installation of home appliances and items like garage door openers and water heaters.

1-800-4-MY-HOME®
(1-800-469-4663)

Call anytime, day or night
(U.S.A. and Canada)

www.sears.com

www.sears.ca

Our Home

For repair of carry-in items like vacuums, lawn equipment, and electronics, call or go on-line for the location of your nearest **Sears Parts and Repair Center.**

1-800-488-1222 Call anytime, day or night (U.S.A. only)
www.sears.com

To purchase a protection agreement (U.S.A.) or maintenance agreement (Canada) on a product serviced by Sears:

1-800-827-6665 (U.S.A.)

1-800-361-6665 (Canada)

Para pedir servicio de reparación a domicilio, y para ordenar piezas:

1-888-SU-HOGAR®
(1-888-784-6427)

Au Canada pour service en français:

1-800-LE-FOYER^{MC}
(1-800-533-6937)
www.sears.ca



© Sears Brands, LLC

® Registered Trademark / ™ Trademark / ℠ Service Mark of Sears Brands, LLC

® Marca Registrada / ™ Marca de Fábrica / ℠ Marca de Servicio de Sears Brands, LLC

^{MC} Marque de commerce / ^{MD} Marque déposée de Sears Brands, LLC

Free Manuals Download Website

<http://myh66.com>

<http://usermanuals.us>

<http://www.somanuals.com>

<http://www.4manuals.cc>

<http://www.manual-lib.com>

<http://www.404manual.com>

<http://www.luxmanual.com>

<http://aubethermostatmanual.com>

Golf course search by state

<http://golfingnear.com>

Email search by domain

<http://emailbydomain.com>

Auto manuals search

<http://auto.somanuals.com>

TV manuals search

<http://tv.somanuals.com>