

Operator's Manual



4-Cycle

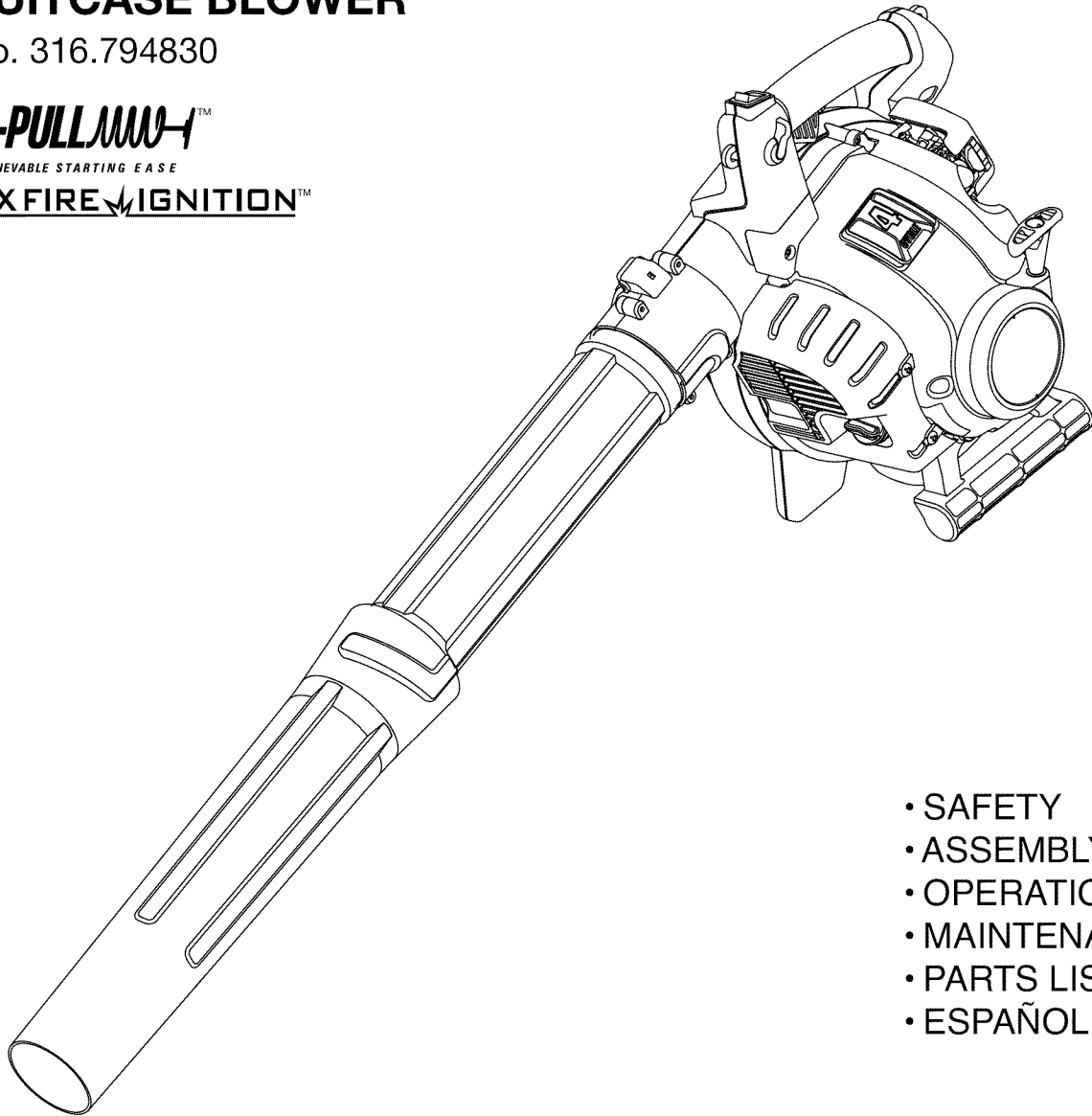
GAS SUITCASE BLOWER

Model No. 316.794830

INCREDI-PULL™

UNBELIEVABLE STARTING EASE

with **MAXFIRE**  **IGNITION**™



- SAFETY
- ASSEMBLY
- OPERATION
- MAINTENANCE
- PARTS LIST
- ESPAÑOL, P. E1

CAUTION: Before using this product, read this manual and follow all safety rules and operating instructions.

Sears, Roebuck and Co., Hoffman Estates, IL 60179, U.S.A.
Visit our website: www.sears.com/craftsman

769-04212A

RULES FOR SAFE OPERATION

TABLE OF CONTENTS

Rules for Safe Operation	2
Warranty Information	4
Know Your Unit	5
Assembly Instructions	6
Oil and Fuel Information	7
Starting/Stopping Instructions	8
Operating Instructions	9
Maintenance and Repair Instructions	10
Cleaning and Storage	13
Troubleshooting Chart	14
Parts List	E18
Service Numbers	Backcover

SPARK ARRESTOR NOTE

NOTE: For users on U.S. Forest Land and in the states of California, Maine, Oregon and Washington. All U.S. Forest Land and the state of California (Public Resources Codes 4442 and 4443), Oregon and Washington require, by law that certain internal combustion engines operated on forest brush and/or grass-covered areas be equipped with a spark arrestor, maintained in effective working order, or the engine be constructed, equipped and maintained for the prevention of fire. Check with your state or local authorities for regulations pertaining to these requirements. Failure to follow these requirements could subject you to liability or a fine. **This unit is factory equipped with a spark arrestor.** If it requires replacement, ask your LOCAL SERVICE DEALER to install the **Accessory Part #753-05900 Muffler Assembly.**

CALIFORNIA PROPOSITION 65 WARNING

WARNING

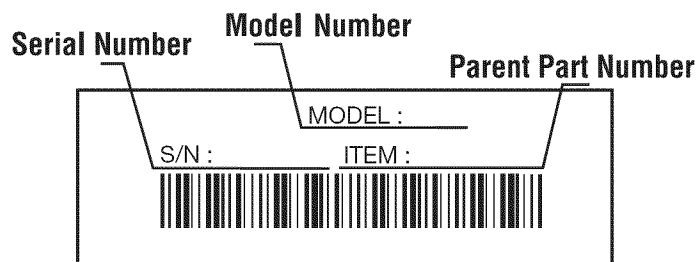
THE ENGINE EXHAUST FROM THIS PRODUCT CONTAINS CHEMICALS KNOWN TO THE STATE OF CALIFORNIA TO CAUSE CANCER, BIRTH DEFECTS OR OTHER REPRODUCTIVE HARM.

Read the Operator's Manual and follow all warnings and safety instructions. Failure to do so can result in serious injury to the operator and/or bystanders.

FOR QUESTIONS, CALL 1-800-659-5917

The purpose of safety symbols is to attract your attention to possible dangers. The safety symbols, and their explanations, deserve your careful attention and understanding. The safety warnings do not by themselves eliminate any danger. The instructions or warnings they give are not substitutes for proper accident prevention measures.

SYMBOL	MEANING
	SAFETY ALERT: Indicates danger, warning or caution. Attention is required in order to avoid serious personal injury. May be used in conjunction with other symbols or pictographs.
	DANGER: Failure to obey a safety warning will result in serious injury to yourself or to others. Always follow the safety precautions to reduce the risk of fire, electric shock and personal injury.
	WARNING: Failure to obey a safety warning can result in injury to yourself and others. Always follow the safety precautions to reduce the risk of fire, electric shock and personal injury.
	CAUTION: Failure to obey a safety warning may result in property damage or personal injury to yourself or to others. Always follow the safety precautions to reduce the risk of fire, electric shock and personal injury.
NOTE: Advises you of information or instructions vital to the operation or maintenance of the equipment.	



Copy the model and parent part number here:

Copy the serial number here:

• IMPORTANT SAFETY INSTRUCTIONS •

READ ALL INSTRUCTIONS BEFORE OPERATING

WARNING: When using the unit, you must follow the safety rules. Please read these instructions before operating the unit in order to ensure the safety of the operator and any bystanders. Please keep these instructions for later use.

- Read the instructions carefully. Be familiar with the controls and proper use of the unit.
- Do not operate this unit when tired, ill, or under the influence of alcohol, drugs, or medication.
- Children and teens under the age of 15 must not use the unit, except for teens guided by an adult.
- All guards and safety attachments must be installed properly before operating the unit.
- Inspect the unit before use. Replace damaged parts. Check for fuel leaks. Make sure all fasteners are in place and secure. Replace parts that are cracked, chipped, or damaged in any way. Do not operate the unit with loose or damaged parts.
- Carefully inspect the area before starting the unit. Remove all debris and hard or sharp objects such as glass, wire, etc.

- Clear the area of children, bystanders, and pets. At a minimum, keep all children, bystanders, and pets outside a 50 feet (15 m.) radius; there still may be a risk to bystanders from thrown objects. Bystanders should be encouraged to wear eye protection. If you are approached, stop the unit immediately.
- Squeeze the throttle control and check that it returns automatically to the idle position. Make all adjustments or repairs before using unit.

SAFETY WARNINGS FOR GAS UNITS

WARNING: Gasoline is highly flammable, and its vapors can explode if ignited. Take the following precautions:

- Store fuel only in containers specifically designed and approved for the storage of such materials.
- Avoid creating a source of ignition for spilled fuel. Do not start the engine until fuel vapors dissipate.
- Always stop the engine and allow it to cool before filling the fuel tank. Never remove the fuel tank cap or add fuel when the engine is hot. Never operate the unit without the fuel cap securely in place. Loosen the fuel tank cap slowly to relieve any pressure in the tank.

RULES FOR SAFE OPERATION

- Add fuel in a clean, well-ventilated outdoor area where there are no sparks or flames. Slowly remove the fuel cap only after stopping engine. Do not smoke while fueling or mixing fuel. Wipe up any spilled fuel from the unit immediately. Always wipe unit dry before using.
- Move the unit at least 30 feet (9.1 m) from the fueling source and site before starting the engine. Do not smoke. Keep sparks and open flames away from the area while adding fuel or operating the unit.

WHILE OPERATING

- Never start or run the unit inside a closed room or building. Breathing exhaust fumes can kill. Operate this unit only in a well-ventilated outdoor area.
- Wear safety glasses or goggles that are marked as meeting ANSI Z87.1–1989 standards and are marked as such. Wear ear/hearing protection when operating this unit.
- Never run the unit without the proper equipment attached.
- To reduce the risk of hearing loss associated with sound level(s), always wear ear/hearing protection when operating this unit.
- Wear heavy long pants, boots, gloves, and a long sleeve shirt. Do not wear loose clothing, jewelry, short pants, sandals or go barefoot. Secure hair above shoulder level.
- Use the unit only in daylight or good artificial light.
- Keep outside surfaces free from oil and fuel.
- Avoid accidental starting. Be in the starting position whenever pulling the starter rope. The operator and unit must be in a stable position while starting. Refer to Starting/Stopping Instructions.
- Do not set unit on any surface except a clean, hard area while engine is running. Debris such as gravel, sand, dust, grass, etc. could be picked up by the air intake and thrown out by the discharge opening, damaging unit, property, or causing serious injury to bystanders or operator.
- Use the right tool. Only use this tool for its intended purpose.
- Do not force unit. It will do the job better and with less likelihood of injury at a rate for which it was designed.
- Do not overreach or use from unstable surfaces such as ladders, trees, steep slopes, rooftops, etc. Always keep proper footing and balance.
- Always hold the unit with a firm grip when operating.
- Keep hands, face, and feet away from all moving parts. Do not touch or try to stop the impeller when it is rotating. Do not operate without guards in place.
- Do not put any object into openings. Do not use with any opening blocked; keep free of dirt, debris, and anything that may reduce the air flow.
- Do not touch the engine or muffler. These parts get extremely hot from operation, even after the unit is turned off.
- Do not operate the engine faster than the speed needed to do the job. Do not run the engine at high speed when not in use.

- Always stop the engine when operation is delayed or when walking from one location to another.
- Stop the engine for maintenance, repair, to install or remove the blower tubes. The unit must be stopped and the impeller no longer turning to avoid contact with the rotating blades.
- If you strike or come into contact with a foreign object, stop the engine immediately and check for damage. Do not operate before repairing damage. Do not operate the unit with loose or damaged parts.
- Use only genuine factory replacement parts and accessories for this unit. These are available from your authorized service dealer. Use of any unauthorized parts or accessories could lead to serious injury to the user or damage to the unit, and void your warranty.
- To reduce fire hazard, replace faulty muffler and spark arrestor. Keep the engine and muffler free from grass, leaves, excessive grease or carbon build up.
- Never point the blower or blowing debris in the direction of people, animals, or in the direction of windows. Always direct the blowing debris away from people, animals, and windows. Use extra caution when blowing debris near solid objects such as trees, automobiles, walls, etc.

OTHER SAFETY WARNINGS

- Never store the unit, with fuel in the tank, inside a building where fumes may reach an open flame (pilot lights, etc.) or sparks (switches, electrical motors, etc.).
- Allow the engine to cool before storing or transporting. Be sure to secure the unit while transporting.
- Store the unit in a dry place, either locked up or up high to prevent unauthorized use or damage. Keep out of the reach of children.
- Never douse or squirt the unit with water or any other liquid. Keep handles dry, clean, and free from debris. Clean after each use, see *Cleaning and Storage* instructions.
- Keep these instructions. Refer to them often and use them to instruct other users. If you loan this unit to others, also loan these instructions to them.

SPECIAL NOTE: Exposure to vibrations through prolonged use of gasoline powered hand tools could cause blood vessel or nerve damage in the fingers, hands, and joints of people prone to circulation disorders or abnormal swelling. Prolonged use in cold weather has been linked to blood vessel damage in otherwise healthy people. If symptoms occur such as numbness, pain, loss of strength, change in skin color or texture, or loss of feeling in the fingers, hands or joints, discontinue use of this tool and seek medical attention. An anti-vibration system does not guarantee avoidance of these problems. Users who operate power tools on a regular basis must closely monitor their physical condition and the condition of this tool.


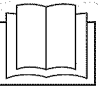



SAVE THESE INSTRUCTIONS

RULES FOR SAFE OPERATION





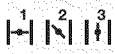
• SAFETY AND INTERNATIONAL SYMBOLS •

This operator's manual describes safety and international symbols and pictographs that may appear on this product. Read the operator's manual for complete safety, assembly, operating and maintenance and repair information.

SYMBOL MEANING

	<ul style="list-style-type: none"> • SAFETY ALERT SYMBOL Indicates danger, warning or caution. May be used in conjunction with other symbols or pictographs.
	<ul style="list-style-type: none"> • READ OPERATOR'S MANUAL WARNING: Read the operator's manual(s) and follow all warnings and safety instructions. Failure to do so can result in serious injury to the operator and/or bystanders.
	<ul style="list-style-type: none"> • WEAR EYE AND HEARING PROTECTION WARNING: Thrown objects and loud noise can cause severe eye injury and hearing loss. Wear eye protection meeting ANSI Z87.1-1989 standards and ear protection when operating this unit. Use a full face shield when needed.
	<ul style="list-style-type: none"> • UNLEADED FUEL Always use clean, fresh unleaded fuel.
	<ul style="list-style-type: none"> • OIL Refer to operator's manual for the proper type of oil.

SYMBOL MEANING

	<ul style="list-style-type: none"> • ON/OFF STOP CONTROL ON / START / RUN
	<ul style="list-style-type: none"> • ON/OFF STOP CONTROL OFF or STOP
	<ul style="list-style-type: none"> • KEEP BYSTANDERS AWAY WARNING: Keep all bystanders, especially children and pets, at least 50 feet (15 m) from the operating area.
	<ul style="list-style-type: none"> • HOT SURFACE WARNING: Do not touch a hot muffler, gear housing or cylinder. You may get burned. These parts get extremely hot from operation. They remain hot for a short time after the unit is turned off.
	<ul style="list-style-type: none"> • CHOKE CONTROL <ol style="list-style-type: none"> 1. • FULL choke position 2. • PARTIAL choke position 3. • RUN choke position

WARRANTY STATEMENT

CRAFTSMAN FULL WARRANTY

If this Craftsman product fails due to a defect in material or workmanship within two years from the date of purchase, return it to any Sears store, Parts and Repair Service Center, or other Craftsman outlet in the United States for free repair (or replacement if repair proves impossible). This warranty applies for only 90 days if this product is ever used for commercial or rental purposes.

This warranty covers ONLY defects in material and workmanship. Sears will NOT pay for:

- Expendable items that can wear out from normal use within the warranty period, such as cutting line, filters or spark plugs.
- Repairs necessary because of accident or failure to operate or maintain the product according to all supplied instructions.
- Preventive maintenance, or repairs necessary due to improper fuel mixture, contaminated or stale fuel.

This warranty gives you specific legal rights, and you may also have other rights which vary from state to state.

Sears, Roebuck and Co., Hoffman Estates, IL 60179

Repair Protection Agreements

Congratulations on making a smart purchase. Your new Craftsman® product is designed and manufactured for years of dependable operation. But like all products, it may require repair from time to time. That's when having a Repair Protection Agreement can save you money and aggravation.

Here's what the Repair Protection Agreement* includes:

- Expert service** by our 10,000 professional repair specialists
- Unlimited service and no charge** for parts and labor on all covered repairs
- Product replacement** up to \$1500 if your covered product can't be fixed
- Discount of 10%** from regular price of service and related installed parts not covered by the agreement; also, 10% off regular price of preventive maintenance check
- Fast help by phone** – we call it Rapid Resolution – phone support from a Sears representative. Think of us as a “talking owner's manual.”

Once you purchase the Repair Protection Agreement, a simple phone call is all that it takes for you to schedule service. You can call anytime day or night, or schedule a service appointment online.

The Repair Protection Agreement is a risk-free purchase. If you cancel for any reason during the product warranty period, we will provide a full refund. Or, a prorated refund any time after the product warranty period expires. Purchase your Repair Protection Agreement today!

Some limitations and exclusions apply. For prices and additional information in the U.S.A. call 1-800-827-6655.

***Coverage in Canada varies on some items. For full details call Sears Canada at 1-800-361-6665.**

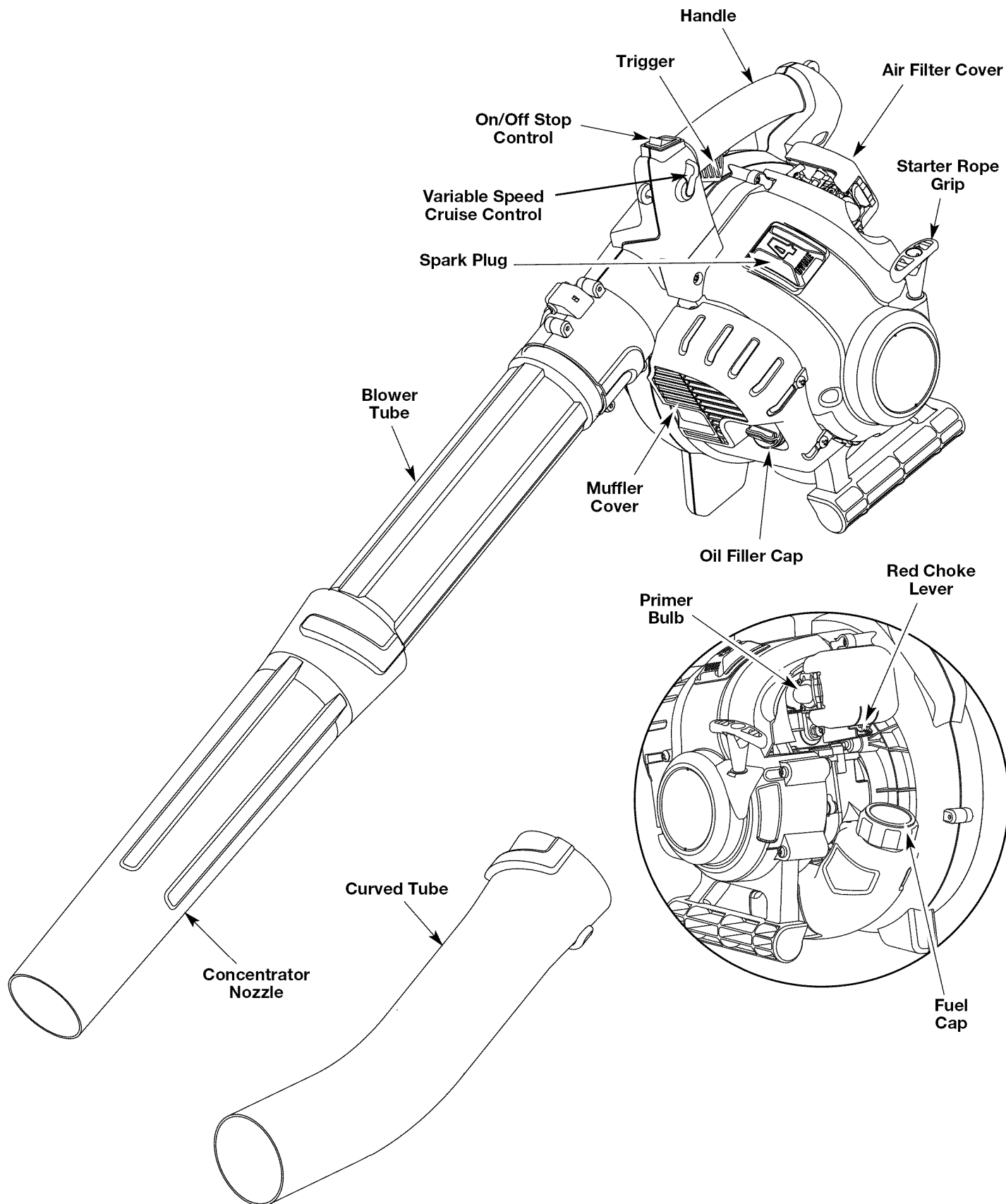
Sears Installation Service

For Sears professional installation of home appliances, garage door openers, water heaters, and other major home items, in the U.S.A. or Canada call **1-800-4-MY-HOME®**.

KNOW YOUR UNIT

APPLICATIONS

Cleaning yards, garages, driveways, porches, patios, around walls, fences and more.



ASSEMBLY INSTRUCTIONS

ASSEMBLING UNIT

Installing Blower Tube



WARNING: To prevent serious personal injury, stop the engine and allow the impeller to stop before attaching or removing tubes.



WARNING: To prevent serious personal injury or damage to the unit, the blower tube must be installed while operating this unit.

1. Align the bump on the end of the blower tube with the bump slot on the bottom end of the blower outlet (Fig. 1).

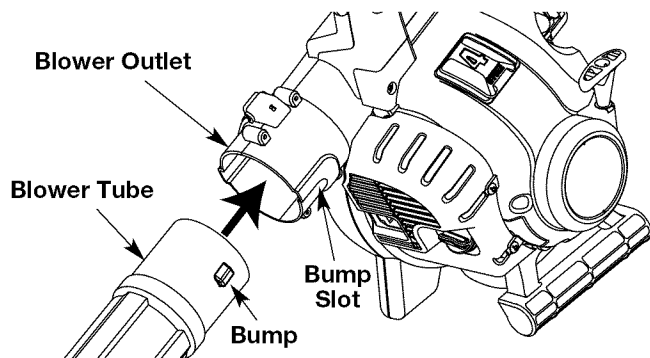


Fig. 1

2. Insert the bump on the blower tube into the bump slot on the blower outlet (Fig. 1).
3. Twist the blower tube clockwise inside the blower outlet until the bump locks into place (Fig. 2).

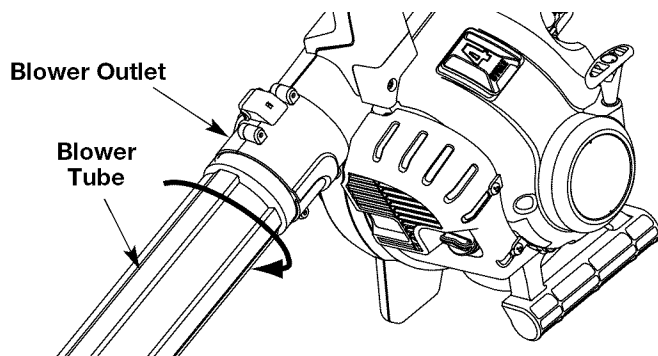


Fig. 2

Installing Nozzle/Curved Tube

1. Align the bump on the end of the blower tube with the bump slot on the bottom end of the blower outlet (Fig. 3).
2. Insert the bump on the blower tube into the bump slot on the nozzle (Fig. 3).

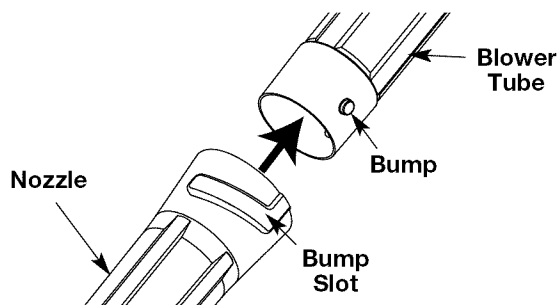


Fig. 3

3. Twist the nozzle clockwise over the blower tube until tight (Fig. 4).

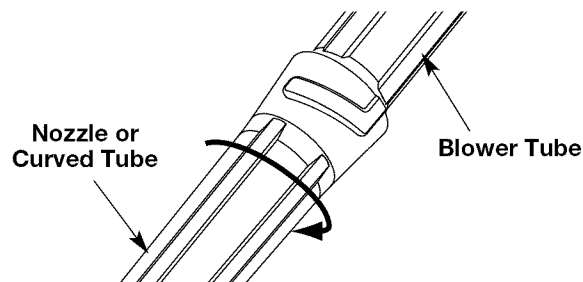


Fig. 4

Removing the Blower Tube

1. Hold the unit firmly.
2. Insert a flathead screwdriver into the Tube Lock. Twist the screwdriver counterclockwise 1/4 turn and hold it there (Fig. 5).

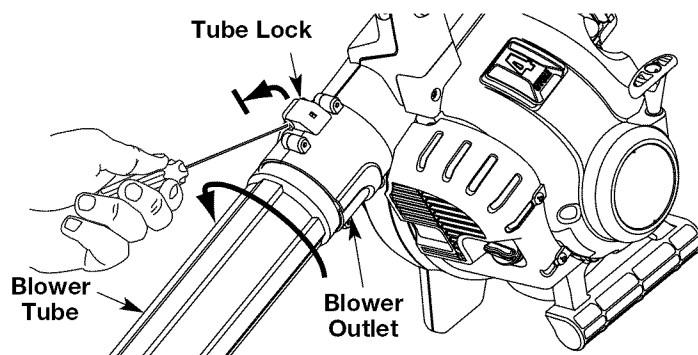


Fig. 5

3. While holding the screwdriver in a counterclockwise position, grasp the blower tube and twist it counterclockwise (Fig. 5).
4. Pull the blower tube from the blower outlet.

Removing the Nozzle/Curved Tube

1. Hold the blower tube firmly.
2. Grasp the nozzle and twist it counterclockwise until the nozzle unlocks from the blower tube (Fig. 6).
3. Remove the nozzle from the blower tube.

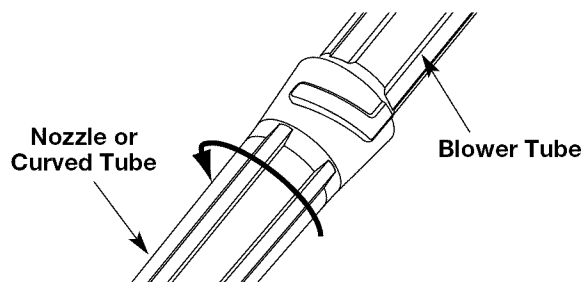


Fig. 6

OIL AND FUEL INFORMATION



WARNING: OVERFILLING OIL CRANKCASE MAY CAUSE SERIOUS PERSONAL INJURY. Check and maintain the proper oil level in the crank case; it is important and cannot be overemphasized. Check the oil before each use and change it as needed. See *Changing the Oil*.

RECOMMENDED OIL TYPE

Using the proper type and weight of oil in the crankcase is extremely important. Check the oil before each use and change the oil regularly. Failure to use the correct oil, or using dirty oil, can cause premature engine wear and failure.

Use a high-quality SAE 30 weight oil of API (American Petroleum Institute) service class SF, SG, SH.

ADDING OIL TO CRANKCASE: INITIAL USE

NOTE: This unit is shipped without oil. In order to avoid damage to the unit, put oil in the crankcase before you attempt to start the unit.

Your unit is supplied with one 2.03 fluid oz. (60 ml) bottle of SAE 30 SF, SG, SH oil (Fig. 7).

NOTE: Save the empty oil bottle. It can be used to measure the correct amount during future oil changes. See *Changing the Oil*.

1. Unscrew the top of the bottle of oil and remove the paper seal covering the opening. Replace the top. Next, cut the tip off the funnel spout (Fig. 7).
2. Tip unit so that the back of the engine is facing up in a vertical position.
3. Remove the oil fill plug from the crankcase (Fig. 8).
4. Pour the entire bottle of oil into the oil fill hole (Fig. 9).

NOTE: Never add oil to the fuel or fuel tank.

5. Wipe up any oil that may have spilled and reinstall the oil fill plug.

Check oil before each use and change as needed. Refer to *Checking the Oil Level*.

RECOMMENDED FUEL TYPE

Old fuel is the primary reason for improper unit performance. Be sure to use fresh, clean, unleaded gasoline.

NOTE: This is a four cycle engine. In order to avoid damage to the unit, do not mix oil with gasoline.

Definition of Blended Fuels

Today's fuels are often a blend of gasoline and oxygenates such as ethanol, methanol or MTBE (ether). Alcohol-blended fuel absorbs water. As little as 1% water in the fuel can form acids when stored. Use fresh fuel (less than 60 days old), when using alcohol-blended fuel.

Using Blended Fuels

If you choose to use a blended fuel, or its use is unavoidable, follow recommended precautions:

- Always use fresh unleaded gasoline
- Use a gas stabilizer fuel additive
- Drain tank and run the engine dry before storing unit

Using Fuel Additives

The use of a gas stabilizer will inhibit corrosion and minimize the formation of gum deposits. Using a fuel additive can keep fuel from forming harmful deposits in the carburetor for up to six (6) months. Add 0.8 oz. (23 ml.) of fuel additive per gallon of fuel according to the instructions on the container. NEVER add fuel additives directly to the unit's gas tank.

FUELING THE UNIT



WARNING: Add fuel in a clean, well ventilated outdoor area. Wipe up any spilled fuel immediately. Avoid creating a source of ignition for spilt fuel. Do not start the engine until fuel vapors dissipate.



WARNING: Gasoline is extremely flammable. Ignited vapors may explode. Always stop the engine and allow it to cool before filling the fuel tank. Do not smoke while filling the tank. Keep sparks and open flames at a distance from the area.

1. Remove the fuel cap (Fig. 10).



WARNING: Remove fuel cap slowly to avoid injury from fuel spray. Never operate the unit without the fuel cap securely in place.

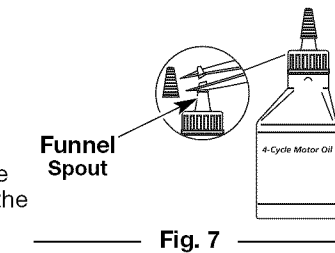


Fig. 7

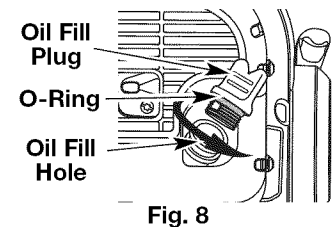


Fig. 8

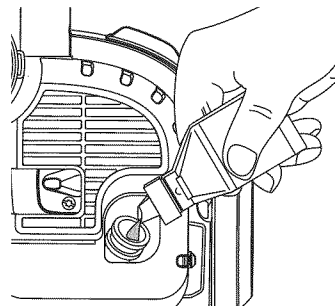


Fig. 9

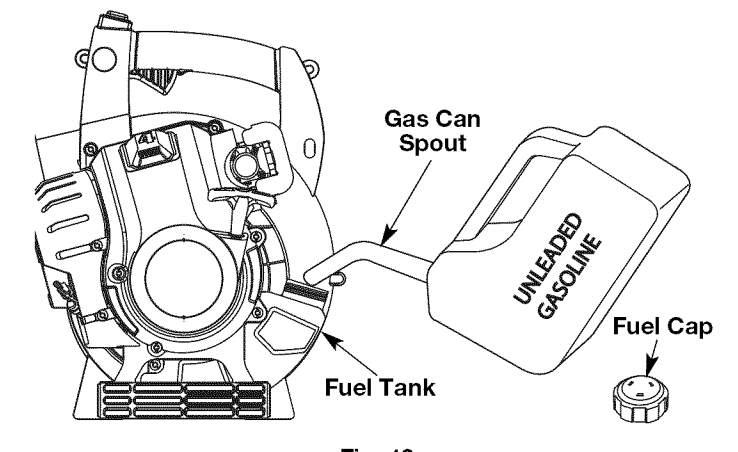


Fig. 10

2. Place the gas container's spout into the fill hole on the fuel tank (Fig. 10) and fill the tank.

NOTE: Do not overfill the tank.

3. Wipe up any gasoline that may have spilled.
4. Reinstall the fuel cap.
5. Move the unit at least 30 ft. (9.1 m) from the fueling source and site before starting the engine.

NOTE: Dispose of the old gasoline in accordance to Federal, State and Local regulations.

STARTING/STOPPING INSTRUCTIONS



WARNING: Operate this unit only in a well-ventilated outdoor area. Carbon monoxide exhaust fumes can be lethal in a confined area.



WARNING: Avoid accidental starting. Make sure you are in the starting position when pulling the starter rope (Fig. 13). To avoid serious injury, the operator and unit must be in a stable position while starting. To avoid serious personal injury, make sure that the blower tube is locked in place or firmly installed.

STARTING INSTRUCTIONS

1. Check the oil level in the crankcase. Refer to Checking the Oil Level.
2. Fill the fuel tank with fresh, clean unleaded gasoline. Refer to Fueling the Unit.
3. Fully press and release the primer bulb 10 times, slowly. Some amount of **fuel should be visible in the primer bulb and fuel lines** (Fig. 11). If you can't see fuel in the bulb, press and release the bulb as many times as it takes before you can see fuel in it.
4. Place the choke lever in **Position 1** (Fig. 12).

NOTE: The unit should be started in idle speed. Do not squeeze the trigger while starting (Fig. 13).

5. Crouch in the starting position (Fig. 13) and pull the starter rope out until you feel some resistance. This is usually around 2-4 inches. Pull 4 times in smooth and rapid pulls.
6. Place the choke lever in Position 2 (Fig. 13).
7. Pull the starter rope briskly 1 to 4 times to start the engine.
8. Squeeze the throttle trigger and allow the engine to warm up for 30 to 60 seconds.
9. Place the choke lever in Position 3 (Fig. 13). The unit is ready for use.

IF... the engine does not start, go back to step 3.

IF... the engine fails to start after a few attempts, place the choke lever in Position 3 and pull the starter rope briskly 3 to 8 times. The engine should start. If not, repeat.

HOT RESTART: If the unit is already hot; place the choke lever in Position 2, making sure to NOT squeeze the throttle trigger, and follow steps 7 thru 9 above.

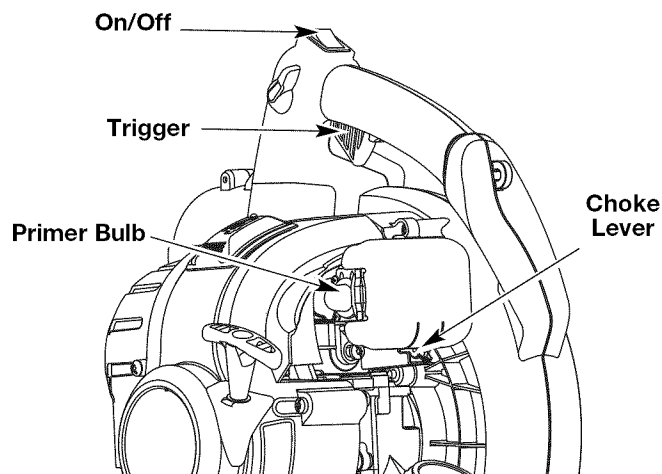


Fig. 11

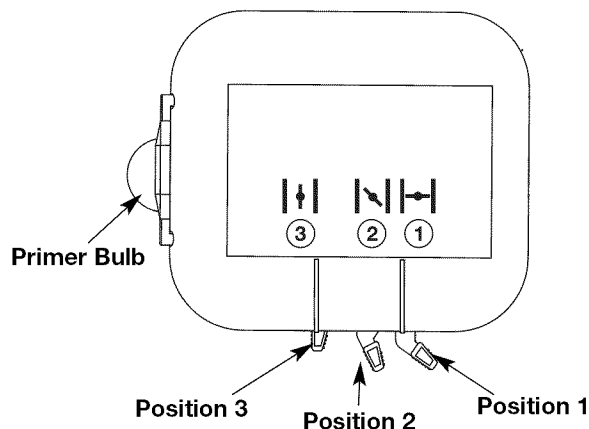


Fig. 12

STOPPING INSTRUCTIONS

1. Release your hand from the trigger. Allow the engine to cool down by idling.
2. Press the On/Off Stop Control switch in the OFF (O) position and hold until the engine comes to a complete stop (Fig. 11).

Starting Position

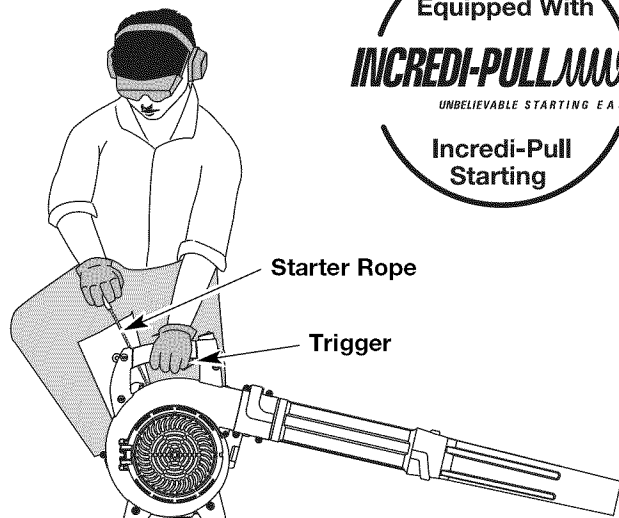


Fig. 13

OPERATING INSTRUCTIONS

HOLDING THE BLOWER



WARNING: After starting the unit, always stand on the left side of the unit to operate it as shown in figure 15 to keep from blocking the air intake.

Before operating the unit, stand in the operating position. Check for the following:

- Operator is wearing proper clothing, such as boots, safety glasses or goggles, ear/hearing protection, gloves, long pants and long sleeve shirt
- If the conditions are dusty, the operator is wearing a dust mask or face mask



WARNING: To avoid serious personal injury, wear goggles or safety glasses at all times when operating this unit. Wear a face mask or dust mask in dusty locations.

- The unit is in good working condition
- The tubes are in place and secure

OPERATING TIPS



WARNING: To prevent serious personal injury or damage to the unit, make sure blower tubes are in place before you operate the unit.

Using the Variable Speed Cruise Control

1. Once the engine has started and warmed up, squeeze the trigger to accelerate the unit as needed (Fig. 14).
2. For longer periods of operation and to eliminate possible finger fatigue, move the variable speed cruise control toward the FAST position to incrementally increase or maintain the unit's engine speed (Fig. 14). When the variable speed cruise control is pressed, the trigger will recede into the handle.
3. To decrease engine speed, move the variable speed cruise control to the SLOW position and the trigger will return to idle (Fig. 14).

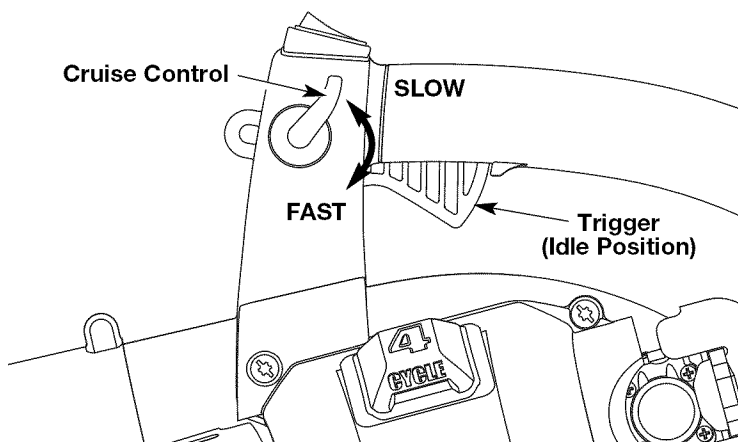
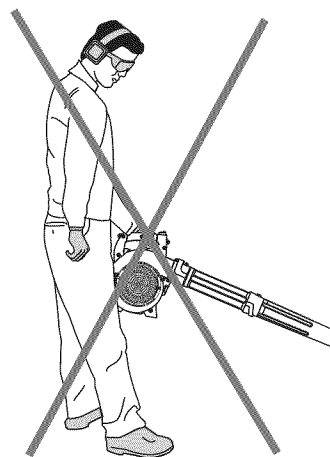


Fig. 14

Other Tips

- Assure the unit is not directed at anybody or any loose debris before starting the unit.
- Verify that the unit is in good working condition. Make sure the tubes are in place and secure.
- Always hold the unit securely when operating. Keep a firm grip on the handle.
- To reduce the risk of hearing loss associated with sound level(s), hearing protection is required.
- Operate power equipment only at reasonable hours— not early in the morning or late at night when people might be disturbed. Comply with times listed in local ordinances. Usual recommendations are 9:00 am to 5:00 pm, Monday through Saturday.
- To reduce noise levels, limit the number of pieces of equipment used at any one time.
- To reduce noise levels, operate power blowers at the lowest possible speed to do the job.
- Check your equipment before operation, especially the muffler, air intakes and air filters.
- Use rakes and brooms to loosen debris before blowing.
- In dusty conditions, slightly dampen surfaces or use a mister attachment when water is available.
- Conserve water by using power blowers instead of hoses for many lawn and garden applications, including areas such as screens, patios, grills, porches, and gardens.
- Watch out for children, pets, open windows or freshly washed cars, and blow debris safely away.
- Use the curved nozzle extension so the air stream can work close to the ground (p. E19, no. 25).
- Clean up after using blowers and other equipment. Dispose of debris appropriately.
- Use the blower for trees, shrubs, flower beds and hard-to-clean areas. Also use the unit around buildings, walls, overhangs, fences and screens, and for other normal cleaning procedures.
- **Hold the blower with the right hand.** Do not stand on the right side of the blower when operating the unit (Fig. 14). If you do, you will be blocking the air intake and this will affect the unit's performance. Instead, be sure to stand on the left side of the unit to maximize the unit's efficiency (Fig. 15).

INCORRECT POSITION



CORRECT POSITION

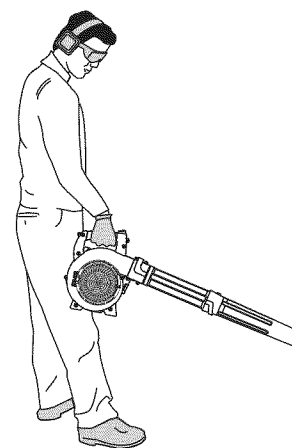


Fig. 15

MAINTENANCE AND REPAIR INSTRUCTIONS



WARNING: To prevent serious injury, never perform maintenance or repairs with unit running. Always service and repair a cool unit. Disconnect the spark plug wire to ensure that the unit cannot start.

MAINTENANCE SCHEDULE

Perform these required maintenance procedures at the frequency stated in the table. These procedures should also be a part of any seasonal tune-up.

NOTE: Some maintenance procedures may require special tools or skills. If you are unsure about these procedures take your unit to a Sears or other qualified service dealer.

FREQUENCY	MAINTENANCE REQUIRED	SEE
Before starting engine	Fill fuel tank with fresh fuel Check oil	p. 7 p. 10
Every 10 hours	Clean and re-oil air filter	p. 11
1st change at 10 hours 2nd change at 40 hours Every 40 hours after	Change oil Change oil Clean spark arrestor and change oil	p. 10 p. 10 p. 13 & 10
10 hours on new engine	Check rocker arm to valve clearance and adjust	p. 12
Every 40 hours	Check rocker arm to valve clearance and adjust	p. 12
Every 40 hours	Check spark plug condition and gap	p. 13
200 hours	Take unit to a Sears or other qualified service center for service	

NOTE: Maintenance, replacement, or repair of the emission control devices and system may be performed by a Sears or other qualified service dealer.

In order to assure peak performance of your engine, inspection of the engine exhaust port may be necessary after 50 hours of operation. If you notice lost RPM, poor performance or general lack of acceleration, this service may be required. If you feel your engine is in need of this inspection, refer service to a Sears or other qualified service dealer for repair. **DO NOT** attempt to perform this process yourself as engine damage may result from contaminants involved in the cleaning process for the port.

CHECKING THE OIL LEVEL



WARNING: Wear gloves to prevent injury when handling unit.

The importance of checking and maintaining the proper oil level in the crankcase cannot be overemphasized. Check oil before each use:

1. Stop the engine and allow oil to drain into the crankcase.
2. Place the engine on a level surface (Fig. 16).
3. Clean the area around the oil plug before removing it. Keep dirt, grass clippings, and other debris out of the engine.
4. Remove the oil fill plug.
5. Look into the oil fill hole (use a flashlight if needed). The oil should be just touching the innermost thread (Fig. 17).
6. If the oil level is not touching the innermost thread on the oil fill hole, add a small amount of oil to the oil fill hole and recheck (Fig. 17). Repeat this procedure until the oil level reaches the innermost thread on the oil fill hole.

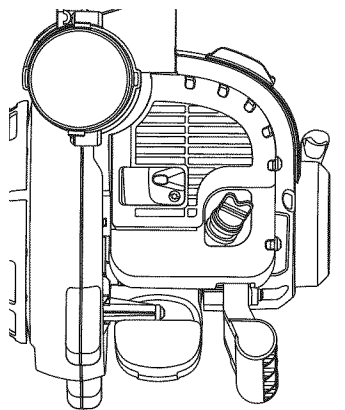


Fig. 16

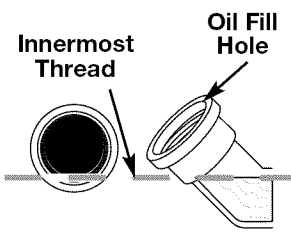


Fig. 17

NOTE: Do not overfill the unit.

NOTE: Make sure the O-ring is in place on the oil fill plug when checking and changing the oil (Fig. 18).

CHANGING THE OIL

For a new engine, change the oil after the first 10 hours of operation. Change the oil while the engine is still warm. The oil will flow freely and carry away more impurities.

1. Remove the oil fill plug.
2. Pour the oil out of the oil fill hole and into a container by tipping the unit to a vertical position (Fig. 19). Allow ample time for

3. complete drainage.
3. Wipe up any oil residue on the unit and clean up any oil that may have spilled. Dispose of the oil according to Federal, State and local regulations.
4. Refill the crankcase with 2.03 fluid ounce (60 ml) of SAE 30 SF, SG, SH oil.

NOTE: Use the bottle and spout saved from initial use to measure the correct amount of oil. The fill line on the label on the bottle measures approximately 2.03 ounces (60 ml) (Fig. 20). Check the level, See Checking the Oil Level. If the level is low, add a small amount of oil and recheck. Do not overfill (Fig. 17).

5. Replace the oil fill plug.
6. Reconnect the spark plug boot.

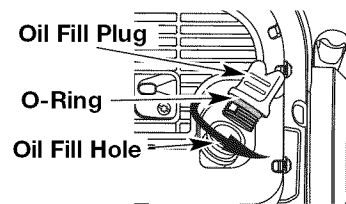
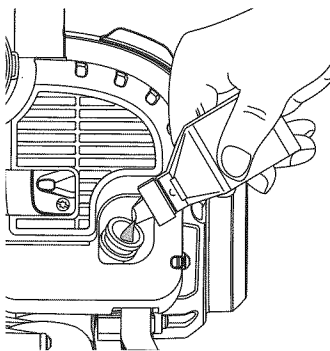


Fig. 18

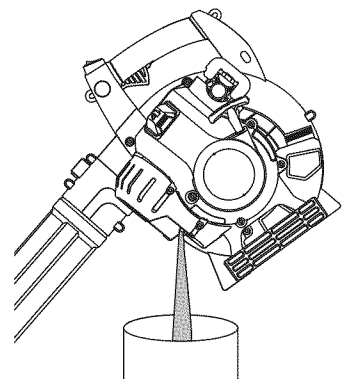


Fig. 19

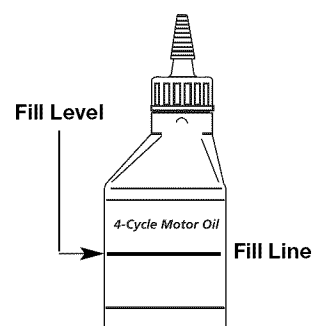


Fig. 20

MAINTENANCE AND REPAIR INSTRUCTIONS

AIR FILTER MAINTENANCE



WARNING: To avoid serious personal injury, always turn your unit off and allow it to cool before you clean or service it.

Cleaning the Air Filter

Clean and re-oil the air filter every 10 hours of operation. It is an important item to maintain. Failure to maintain the air filter will VOID the warranty.

1. Open the air filter cover. Push the tab on the left side of the cover inward. Then pull the air filter cover out and to the right (Fig. 21).
2. Remove the air filter (Fig. 21).

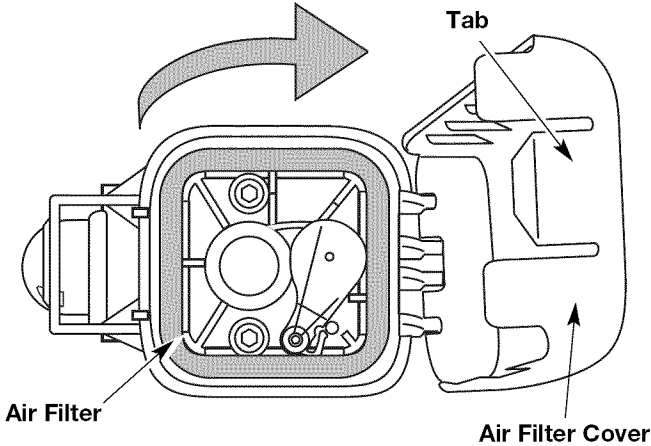


Fig. 21

3. Wash the filter in detergent and water (Fig. 22). Rinse the filter thoroughly and allow it to dry.

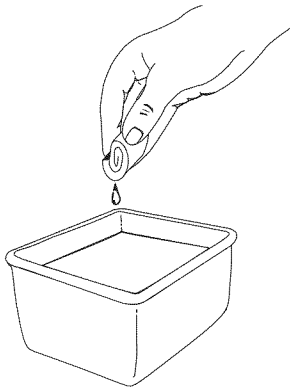


Fig. 22

4. Apply enough clean SAE 30 motor oil to lightly coat the filter (Fig. 23).
5. Squeeze the filter to spread and remove excess oil (Fig. 24).

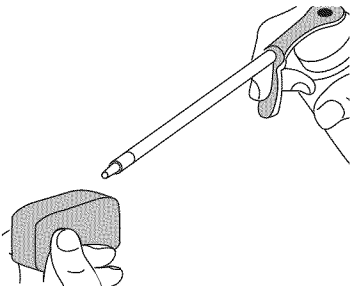


Fig. 23

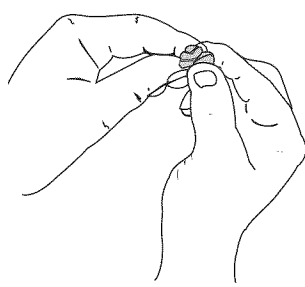


Fig. 24

6. Replace the filter (Fig. 25).

NOTE: If the unit is operated without the air filter, you will VOID the warranty.

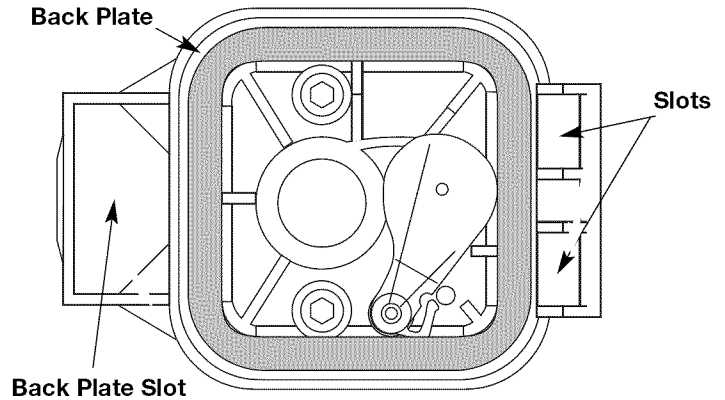


Fig. 25

7. Reinstall the air filter cover. Position the hooks on the right side of the air filter cover into the slots at the right side of the back plate (Fig. 25).
8. Swing the cover to the left until the tab on the air filter cover snaps into place in the slot on the back plate (Fig. 26).
9. Replace the fuel cap if it was removed.

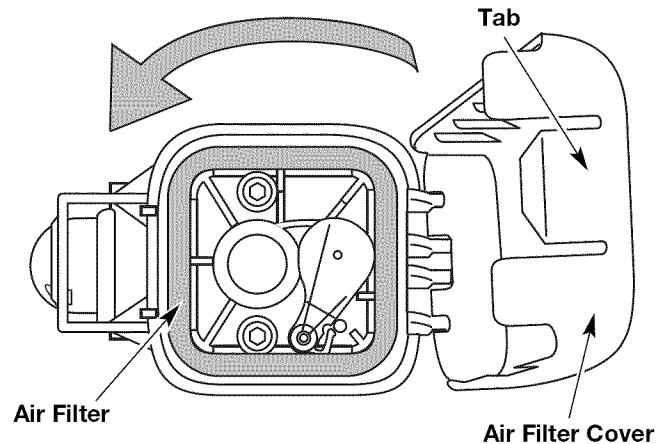


Fig. 26

IDLE SPEED ADJUSTMENT

The idle speed of the engine is adjustable. An idle adjustment screw is between the air filter cover and the engine starter housing (Fig. 27).

NOTE: Careless adjustments can seriously damage your unit. A Sears or other qualified service dealer should make carburetor adjustments.


Check Fuel

Old fuel is usually the reason for improper unit performance. Drain and refill the tank with fresh fuel prior to making any adjustments. Refer to Oil and Fuel Information.

Clean Air Filter

The condition of the air filter is important to the operation of the unit. A dirty air filter will restrict air flow. This is often mistaken for an out of adjustment carburetor. Check the condition of the air filter before adjusting the idle speed screw. Refer to Air Filter Maintenance.

Adjust Idle Speed Screw



WARNING: This unit will need to be running during idle speed adjustment. Wear protective clothing and observe all safety instructions to prevent serious personal injury.

Also, **DO NOT** set unit on any surface except a clean, hard area while starting or performing any adjustments. Debris, such as gravel, sand, dust, grass, etc., could be thrown by the blower tube and damage property or cause serious injury to bystanders or operator.

If, after checking the fuel and cleaning the air filter, the engine still will not idle, adjust the idle speed screw as follows:

1. Start the engine and let it run at a high idle for a minute to warm up. Refer to Starting/Stopping Instructions.
2. Release the trigger and let the engine idle. If the engine stops, insert a small phillips screwdriver in between the Air Filter Cover and the Engine Cover (Fig. 27). Turn the idle speed screw in, clockwise, 1/8 of a turn at a time (as needed) until the engine idles smoothly.

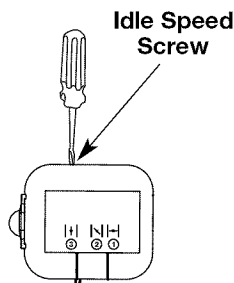


Fig. 27

Checking the fuel, cleaning the air filter, and adjusting the idle speed should solve most engine problems. If not and all of the following are true:

- the engine will not idle
- the engine hesitates or stalls on acceleration
- there is a loss of engine power

take the unit to a Sears or other qualified service dealer.

ROCKER ARM CLEARANCE

This requires disassembly of the engine. If you feel unsure or unqualified to perform this, take the unit to a Sears or other qualified service dealer.

NOTE: Inspect the valve to rocker arm clearance with a feeler gauge after the first 10 hours of operation and every 40 hours of operation.

- The engine must be cold when checking or adjusting the rocker arm clearance.
 - This task should be performed inside, in a clean, dust free area.
1. Remove the 2 muffler cover screws with a flat blade or T-25 Torx head screwdriver (Fig. 28), then remove the cover.
 2. Remove the 6 starter housing screws with flat blade or T-25 Torx head screwdriver (Fig. 28), then remove the housing.

NOTE: Make sure to store the screws so that they can be reinstalled into their original holes.

3. Disconnect the spark plug wire.
4. Clean dirt from around the spark plug. Remove the spark plug from the cylinder head by turning a 5/8 in. socket counterclockwise.
5. Clean dirt from around the rocker arm cover. Remove the screw holding the rocker arm cover with a large flat blade screwdriver or Torx T-25 bit (Fig. 29). Remove the rocker arm cover and gasket.
6. Turn the flywheel slowly to bring the piston to the top of its travel (known as top dead center). Check that:

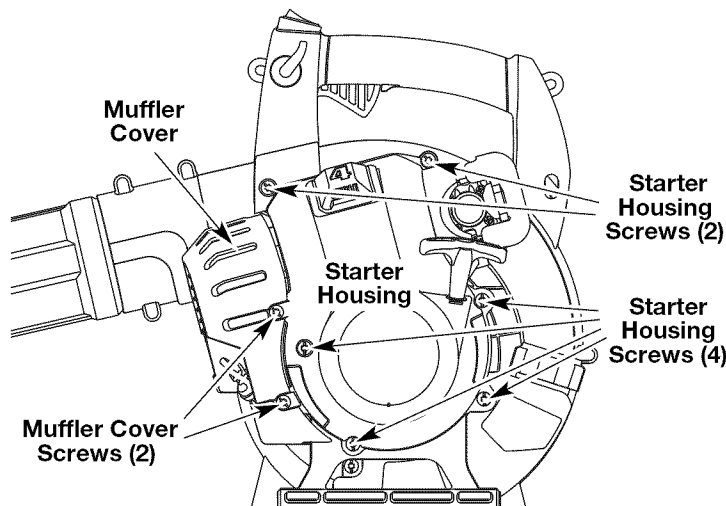


Fig. 28

- The piston is at the top of its travel by looking in the spark plug hole (Fig. 30)
 - Both rocker arms move freely, and both valves are closed.
- If these statements are not true, repeat this step.

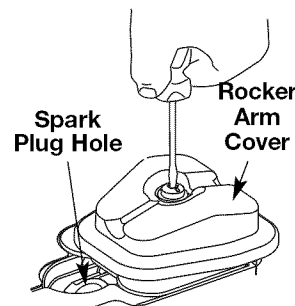


Fig. 29

7. Slide the feeler gauge between the rocker arm and the valve return spring. Measure the clearance between the valve stem and rocker arm (Fig. 30 & 31). Measure both the intake and exhaust valves.

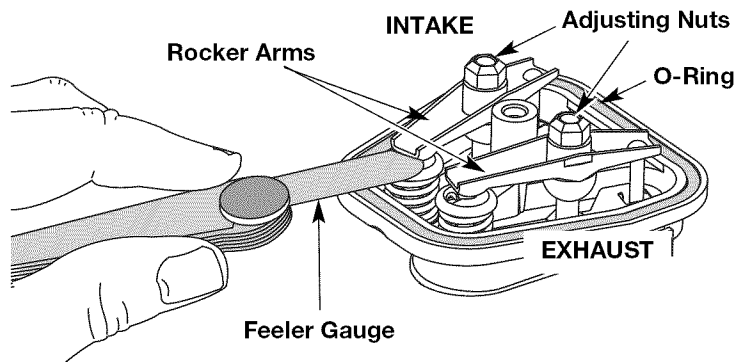


Fig. 30

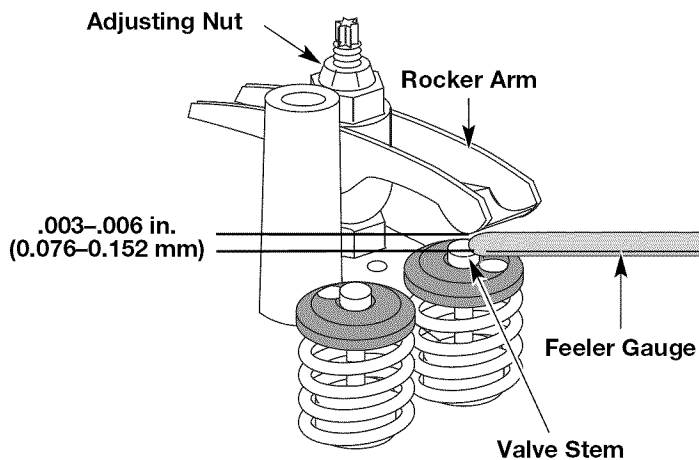


Fig. 31

MAINTENANCE AND REPAIR INSTRUCTIONS

The recommended clearance for both intake and exhaust is .003 – .006 in. (.076 – 0.152 mm). Use a standard automotive .005 in. (0.127 mm) feeler gauge. The feeler gauge should slide between the rocker arm and valve stem with a slight amount of resistance, without binding. See Figures 30 and 31.

8. If the clearance is not within specification:
 - a. Turn the adjusting nut using a 5/16 inch (8 mm) wrench or nut driver (Fig. 31).
 - To increase clearance, turn the adjusting nut counterclockwise.
 - To decrease clearance, turn the adjusting nut clockwise.
 - b. Recheck both clearances, and adjust as necessary.
9. Reinstall the rocker arm cover using a new gasket (Fig. 29). Torque the screw to: **20–30 in•lb (2.2–3.4 N•m)**.
10. Check the spark plug and reinstall. See *Replacing the Spark Plug*.
11. Reinstall the spark plug wire.
12. Reinstall the engine cover. Check alignment of the cover before tightening the screws. Tighten screws.

NOTE: Make sure that the screws are reinstalled into their original holes (Fig. 28).

REPLACING THE SPARK PLUG



CAUTION: Do not sand blast, scrape, or clean electrodes. Grit in the engine could damage the cylinder.

Use a replacement part number **753-05784** or Champion spark plug #**RDZ4H**. The correct spark gap is 0.025 in. (0.635 mm). Remove the plug after every 40 hours of operation and check its condition.

1. Stop the engine and allow it to cool.
2. Insert a flat blade screwdriver under the spark plug cover and pry open (Fig. 32).

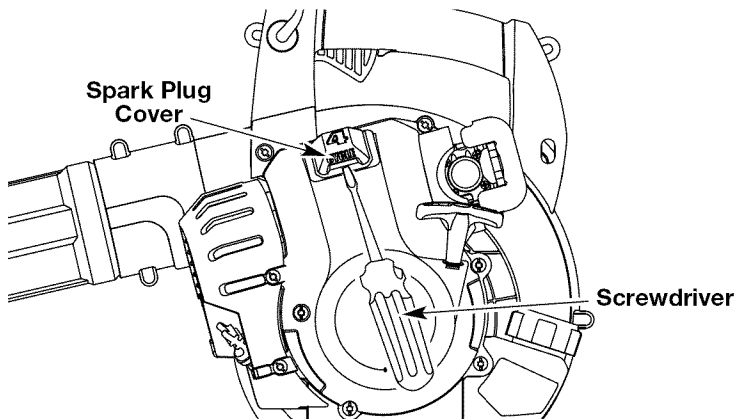


Fig. 32

3. Grasp the plug wire firmly and pull the cap from the spark plug.
4. Clean dirt from around the spark plug. Remove the spark plug from the cylinder head by turning a 5/8 in. socket counterclockwise.
5. Replace cracked, fouled or dirty spark plug. Set the spark gap at 0.025 in. (0.635 mm) using a feeler gauge (Fig. 33).
6. Install a correctly-gapped spark plug in the cylinder head. Turn the 5/8 in. socket clockwise until snug.
7. Reinstall the spark plug cover.

If using a torque wrench, torque to: **110-120 in.•lb. (12.3-13.5 N•m)**

Do not over tighten.

SPARK ARRESTOR MAINTENANCE



WARNING: To avoid serious personal injury, always turn your unit off and allow it to cool before you clean or do any maintenance on it.

1. Remove the muffler cover. See *Rocker Arm Clearance*.
2. With a 3/8-inch hex wrench or T-25 bit and a 1/4-inch hex

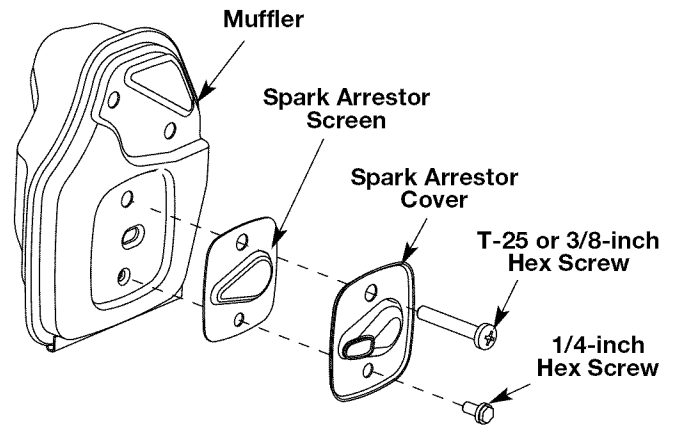


Fig. 34

- wrench, remove the screws attaching the spark arrestor cover to the muffler (Fig. 34).
3. Pull the the spark arrestor cover out of the muffler. Remove the spark arrestor cover.
4. Remove the spark arrestor screen from the spark arrestor cover.
5. Clean the spark arrestor screen with a wire brush or replace it.
6. Reinstall the spark arrestor screen, spark arrestor cover, and screws.
7. Reinstall the muffler cover.

CLEANING



WARNING: To avoid serious personal injury, always turn your unit off and allow it to cool before you clean or do any maintenance on it.

Use a small brush to clean off the outside of the unit. Do not use strong detergents. Household cleaners that contain aromatic oils such as pine and lemon, and solvents such as kerosene, can damage plastic housing or handle. Wipe off any moisture with a soft cloth.

STORAGE

- Never store the unit with fuel in the tank where fumes may reach an open flame or spark.
- Allow the engine to cool before storing.
- Lock up the unit to prevent unauthorized use or damage.
- Store the unit in a dry, well-ventilated area.
- Store the unit out of the reach of children.

LONG TERM STORAGE

1. Drain all gasoline from the gas tank into a container. Do not use gas that has been stored for more than 60 days. Dispose of the old gasoline in accordance to Federal, State, and Local regulations.
2. Start the engine and allow it to run until it stalls. This ensures that all gasoline has been drained from the carburetor.
3. Allow the engine to cool. Remove the spark plug and put 5 drops of high quality motor oil into the cylinder. Pull the starter rope slowly to distribute the oil. Reinstall the spark plug.

NOTE: Remove the spark plug and drain all of the oil from the cylinder before attempting to start the blower after storage.

4. Change the oil, referring to Changing the Oil. Dispose of the old oil in accordance to Federal, State and Local regulations.
5. Thoroughly clean the unit and inspect for any loose or damaged parts. Repair or replace damaged parts and tighten loose screws, nuts or bolts. The unit is ready for storage.

TRANSPORTING

- Allow the engine to cool before transporting.
- Secure the unit while transporting.
- Drain the gas tank before transporting.
- Tighten gas cap before transporting.

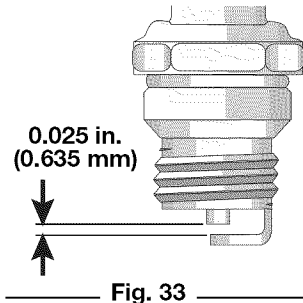


Fig. 33

TROUBLESHOOTING

ENGINE WILL NOT START

CAUSE

Empty gasoline tank
Primer bulb wasn't pressed enough
Old gasoline
Fouled spark plug
Plugged spark arrestor

ACTION

Fill fuel tank with new gasoline
Press primer bulb fully and slowly 10 times
Drain gas tank and add fresh gasoline
Replace the spark plug
Clean or replace spark arrestor

ENGINE WILL NOT IDLE

CAUSE

Air filter is plugged
Old fuel

ACTION

Replace or clean the air filter
Drain gas tank and add fresh gasoline

ENGINE WILL NOT ACCELERATE

CAUSE

Old gasoline
Dirty air filter
Plugged spark arrestor

ACTION

Drain gas tank and add fresh gasoline
Clean or replace the air filter
Clean or replace spark arrestor

ENGINE LACKS POWER OR STALLS

CAUSE

Old gasoline
Fouled spark plug
Plugged spark arrestor

ACTION

Drain gas tank and add fresh gasoline
Replace the spark plug
Clean or replace spark arrestor

NOTE: For repairs beyond the minor adjustments listed above, contact your nearest Sears Parts & Repair center (**1-800-4-MY-HOME®**) or other qualified service dealer.

SPECIFICATIONS

ENGINE*

Engine Type	Air-Cooled, 4-Cycle
Displacement	1.5 cu. in. (25 cc)
Blower Operating RPM	7,000 rpm
Idle Speed RPM	3,200 – 4,400 rpm
Ignition Type.....	Electronic MAX FIRE IGNITION™
Ignition Switch.....	Momentary Switch
Valve clearance	0.003–0.006 in. (0.076–0.152 mm)
Spark Plug Gap.....	0.025 inch (0.635 mm)
Lubrication.....	SAE 30 Oil
Crankcase Oil Capacity	2.03 oz (60 ml)
Fuel	Unleaded
Carburetor	Diaphragm, All-Position
Starter	Incredi-Pull™ Starting Auto Rewind
Muffler.....	Baffled with Guard
Throttle	Variable Speed
Fuel Tank Capacity	14 oz (414 ml)
Approximate Unit Weight (No fuel)	11 lbs. (5 kg)

*All specifications are based on the latest product information available at the time of printing. We reserve the right to make changes at any time without notice.

CALIFORNIA / EPA EMISSION CONTROL WARRANTY STATEMENT Your Warranty Rights and Obligations

The California Air Resources Board, the Environmental Protection Agency, and Sears Brands LLC (Sears) are pleased to explain the emission control system warranty on your 2008 and later small off-road engine. In California and the 49 states, new small off-road engines must be designed, built and equipped to meet the state's stringent anti-smog standards. Sears must warrant the emission control system on your small off-road engine for the periods of time listed below provided there has been no abuse, neglect or improper maintenance of your small off-road engine. Your emission control system may include parts such as the carburetor or fuel-injection system, the ignition system, and catalytic converter. Also included may be hoses, belts, connectors and other emission-related assemblies. Where a warrantable condition exists, Sears will repair your small off-road engine at no cost to you including diagnosis, parts and labor. The 2008 and later small off-road engines are warranted for two years. If any emission-related part on your engine is defective, the part will be repaired or replaced by Sears.

Owners Warranty Responsibilities

As the small off-road engine owner, you are responsible for the performance of the required maintenance listed in your operator's manual. Sears recommends that you retain all receipts covering maintenance on your small off-road engine, but Sears cannot deny warranty solely for the lack of receipts or for your failure to ensure the performance of all scheduled maintenance.

- As the small off-road engine owner, you should however be aware that Sears may deny you warranty coverage if your small off-road engine or a part has failed due to abuse, neglect, improper maintenance or unapproved modifications.
- You are responsible for presenting your small off-road engine to a Sears Authorized Service Center as soon as a problem exists. The warranty repairs should be completed in a reasonable amount of time, not to exceed 30 days.

If you have any questions regarding your warranty rights and responsibilities, you should call **1-800-4-MY-HOME®**.

Manufacturer's Warranty Coverage

- The warranty period begins on the date the engine or equipment is delivered to the retail purchaser.
- The manufacturer warrants to the initial owner and each subsequent purchaser, that the engine is free from defects in material and workmanship which cause the failure of a warranted part for a period of two years.
- Repair or replacement of warranted part will be performed at no charge to the owner at an Authorized Sears Service Center. For the nearest location please contact Sears at: **1-800-4-MY-HOME®**.
- Any warranted part which is not scheduled for replacement, as required maintenance or which is scheduled for only for regular inspection to the effect of "Repair or Replace as Necessary" is warranted for the warranty period. Any warranted part which is scheduled for replacement as required maintenance will be warranted for the period of time up to the first scheduled replacement point for that part.
- The owner will not be charged for diagnostic labor which leads to the determination that a warranted part is defective, if the diagnostic work is performed at an Authorized Sears Service Center.
- The manufacturer is liable for damages to other engine components caused by the failure of a warranted part still under warranty.
- Failures caused by abuse, neglect or improper maintenance are not covered under warranty.
- The use of add-on or modified parts can be grounds for disallowing a warranty claim. The manufacturer is not liable to cover failures of warranted parts caused by the use of add-on or modified parts.
- In order to file a claim, go to your nearest Authorized Sears Service Center. Warranty services or repairs will be provided at all Authorized Sears Service Centers.
- Any manufacturer approved replacement part may be used in the performance of any warranty maintenance or repair of emission related parts and will be provided without charge to the owner. Any replacement part that is equivalent in performance or durability may be used in non-warranty maintenance or repair and will not reduce the warranty obligations of the manufacturer.

Emission Warranty Parts List:

The following components are included in the emission-related warranty of the engine: air filter, carburetor, primer, fuel lines, fuel pick up/ fuel filter, ignition module, spark plug, and muffler. Valves and Cam are additionally included if your engine is a 4-Stroke Model.

CALIFORNIA EVAPORATIVE EMISSION CONTROL WARRANTY STATEMENT

Your Warranty Rights and Obligations

The California Air Resources Board and Sears Brands LLC (Sears) is pleased to explain the evaporative emission control system's warranty on your 2008 model year and later small off-road (equipment type) engine. In California, new equipment that use small off-engines must be designed, built, and equipped to meet the State's stringent anti-smog standards. Sears must warrant the evaporative emission control system on your small off-road Lawn & Garden engine for the period listed below provided there has been no abuse, neglect or improper maintenance of your equipment. Your evaporative emission control system may include parts such as: carburetors, fuel tanks, fuel lines, fuel caps, valves, canisters, filters, vapor hoses, clamps, connectors, and other associated components. For engines less than or equal to 80 cc, only the fuel tank is subject to the evaporative emission control warranty requirements of this section. The displacement of your small off road engine is less than 80 cc.

Manufacturer's Warranty Coverage

This evaporative emission control system is warranted for two years. If any evaporative emission-related part on your equipment is defective, the part will be repaired or replaced by Sears.

Owner's Warranty Responsibilities

- As the small off-road Lawn & Garden engine owner, you are responsible for performance of the required maintenance listed in your owner's manual. Sears recommends that you retain all receipts covering maintenance on your Lawn & Garden Engine but Sears cannot deny warranty solely for the lack of receipts.
- As the small off-road Lawn & Garden engine owner, you should however be aware that the Sears may deny you warranty coverage if your fuel tank has failed due to abuse, neglect, or improper maintenance or unapproved modifications.
- You are responsible for presenting your Lawn & Garden fuel tank to Sears distribution center or service center as soon as the problem exists. The warranty repairs should be completed in a reasonable amount of time, not to exceed 30 days. If you have a question regarding your warranty coverage, you should contact Sears at **1-800-4-MY-HOME®**.

Defects Warranty Requirements

- (a) The warranty period begins on the date the engine or equipment is delivered to an ultimate purchaser.
- (b) General Evaporative Emissions Warranty Coverage. The fuel tank must be warranted to the ultimate purchaser and any subsequent owner that the evaporative emission control system when installed was:
 - (1) Designed, built, and equipped so as to conform with all applicable regulations; and
 - (2) Free from defects in materials and workmanship that causes the failure of a warranted part for a period of two years.
- (c) The warranty on evaporative emissions-related parts will be interpreted as follows:
 - (1) Any warranted part that is not scheduled for replacement as required maintenance in the written instructions must be warranted for the warranty period defined in subsection (b)(2). If any such part fails during the period of warranty coverage, it must be repaired or replaced by Sears. Any such part repaired or replaced under the warranty must be warranted for a time not less than the remaining warranty period.
 - (2) Any warranted part that is scheduled only for regular inspection in the written instructions must be warranted for the warranty period defined in subsection (b)(2). A statement in such written instructions to the effect of "repair or replace as necessary" will not reduce the period of warranty coverage. Any such part repaired or replaced under warranty must be warranted for a time not less than the remaining warranty period.
 - (3) Any warranted part that is scheduled for replacement as required maintenance in the written instructions must be warranted for the period of time prior to the first scheduled replacement point for that part. If the part fails prior to the first scheduled replacement, the part must be repaired or replaced by the Sears. Any such part repaired or replaced under warranty must be warranted for a time not less than the remainder of the period prior to the first scheduled replacement point for the part.
 - (4) Repair or replacement of any warranted part under the warranty provisions of this article must be performed at no charge to the owner at a warranty station.
 - (5) Notwithstanding the provisions of subsection (4) above, warranty services or repairs must be provided at distribution centers that are franchised to service the subject engines or equipment.
 - (6) The owner must not be charged for diagnostic labor that leads to the determination that a warranted part is in fact defective, provided that such diagnostic work is performed at a warranty station.
 - (7) Throughout the evaporative emission control system's warranty period set out in subsection (b)(2), Sears must maintain a supply of warranted parts sufficient to meet the expected demand for such parts.
 - (8) Manufacturer approved replacement parts must be used in the performance of any warranty maintenance or repairs and must be provided without charge to the owner. Such use will not reduce the warranty obligations of the manufacturer issuing the warranty.
 - (9) The use of any add-on or modified parts will be grounds for disallowing a warranty claim made in accordance with this article. The manufacturer issuing the warranty will not be liable under this Article to warrant failures of warranted parts caused by the use of an add-on or modified part.
 - (10) Sears shall provide any documents that describe the warranty procedures or policies within five working days of request by the Air Resources Board.

Emission Warranty Parts List

- (1) Fuel Tank

Written instructions for the maintenance and use of the evaporative emissions control system by the owner shall be furnished with each new engine or equipment.

NOTES

Manual del Operador



4-Ciclos

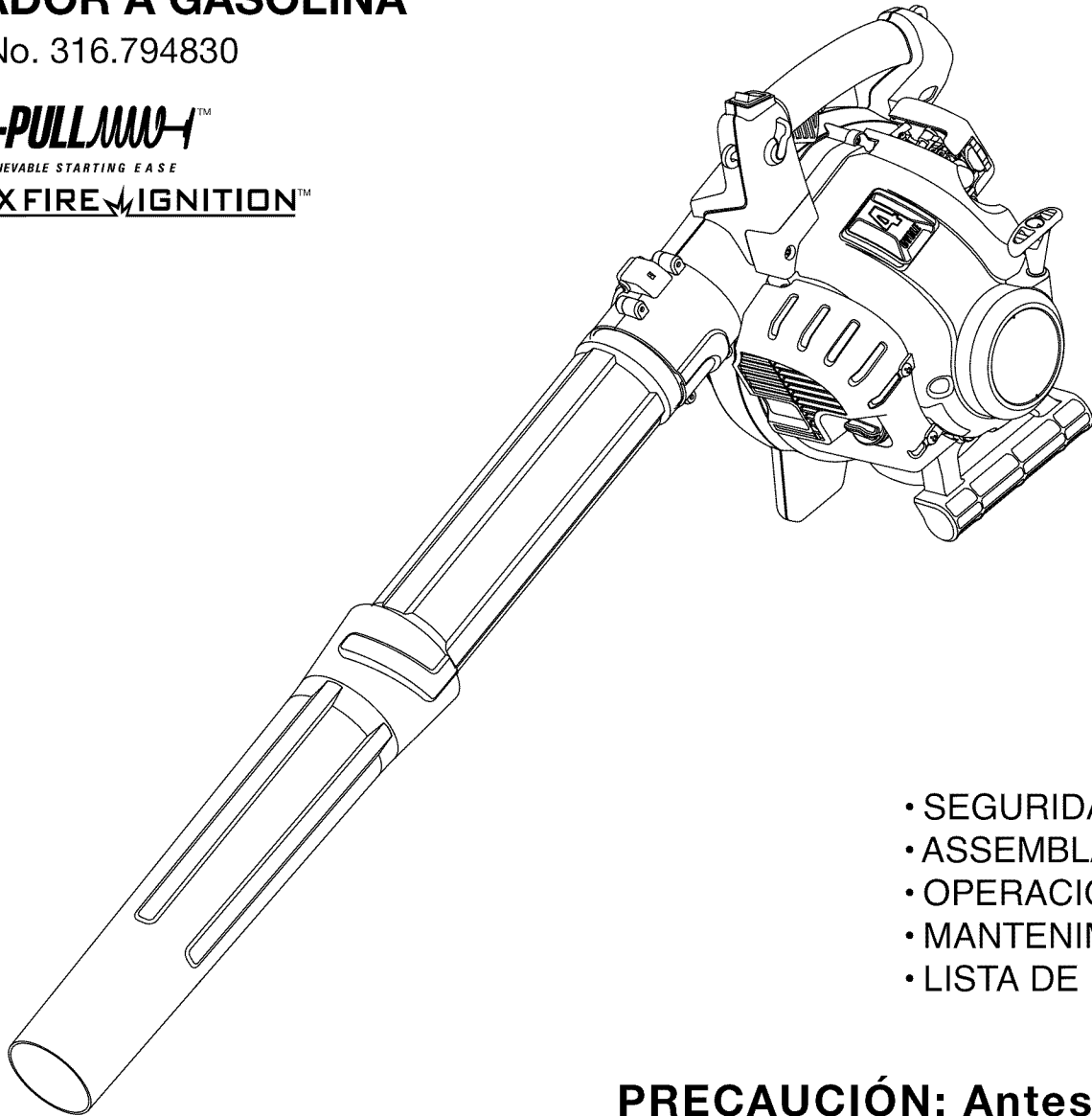
SOPLADOR A GASOLINA

Modelo No. 316.794830

INCREDI-PULL™

UNBELIEVABLE STARTING EASE

with **MAXFIRE**  **IGNITION**™



- SEGURIDAD
- ASSEMBLAJE
- OPERACIÓN
- MANTENIMIENTO
- LISTA DE PIEZAS

PRECAUCIÓN: Antes de utilizar este producto, lea este manual y siga todas las reglas de seguridad y las instrucciones de funcionamiento.

Sears, Roebuck and Co., Hoffman Estates, IL 60179, U.S.A.
Visit our website: www.sears.com/craftsman

769-04212A

NORMAS PARA UNA OPERACIÓN SEGURA

Los símbolos de seguridad se utilizan para llamar su atención sobre posibles peligros. Los símbolos de seguridad y sus explicaciones merecen toda su atención y comprensión. Los símbolos de seguridad no eliminan ningún peligro por sí mismos. Las instrucciones o advertencias que ofrecen no substituyen las medidas adecuadas de prevención de accidentes.

PARACHISPAS

NOTA: Para los usuarios en tierras forestales de los EE.UU. y en los estados de California, Maine, Oregon y Washington. Todos los terrenos forestales de los EE.UU. y el estado de California (Códigos de Recursos Públicos 4442 y 4443), Oregon y Washington, requieren por decreto, que ciertos motores de combustión interna que se hagan funcionar en zonas boscosas y/o zonas cubiertas por pastizales, estén equipados con un parachispas, que sean mantenidos en buen estado de funcionamiento o que el motor sea construido, esté equipado y sea mantenido para evitar incendios. Consulte los reglamentos pertinentes a esos requisitos con las autoridades estatales o locales. El incumplimiento de esos requisitos puede responsabilizarle o someterle a la imposición de una multa. **Esta unidad fue equipada en la fábrica con un parachispas.** Si requiere sustitución, hay un **silenciador disponible, Pieza # 753-05900** al contactar el Sears o a otro proveedor de servicio calificado.

PROPOSICIÓN 65 DE CALIFORNIA

ADVERTENCIA

**LAS EMISIONES DEL MOTOR DE ESTE PRODUCTO
CONTIENEN SUBSTANCIAS QUIMICAS QUE EL ESTADO DE
CALIFORNIA CONOCE COMO CAUSANTES DECANCER,
DEFECTOS DE NACIMIENTO U OTROS DAÑOS
REPRODUCTIVOS.**

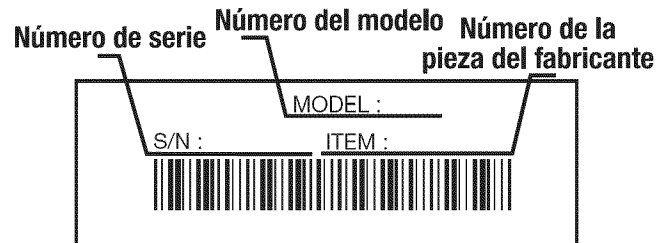
INDICE DE CONTENIDOS

Normas para una operación segura	E2
Garantía	E4
Conozca su unidad	E5
Instrucciones de ensamble	E6
Información del aceite y del combustible	E8
Instrucciones de arranque y apagado	E9
Instrucciones de operación	E10
Instrucciones de mantenimiento y reparación	E12
Limpieza y almacenamiento	E15
Resolución de problemas	E16
Especificaciones	E16
Lista de Piezas	E17
Números de ServicioContraportada

SÍMBOLO SIGNIFICADO

	ALERTA DE SEGURIDAD : Indica peligro, advertencia o precaución. Debe prestar atención para evitar sufrir graves lesiones personales. Puede ser utilizado junto con otros símbolos o figuras.
	PELIGRO : El no obedecer una advertencia de seguridad puede conducir a que usted u otras personas sufran graves lesiones. Siga siempre las precauciones de seguridad para reducir el riesgo de incendio, descarga eléctrica y lesiones personales.
	ADVERTENCIA : El no seguir una advertencia de seguridad puede conducir a que usted u otras personas sufran lesiones. Siga siempre las precauciones de seguridad para reducir el riesgo de incendio, descarga eléctrica y lesiones personales.
	PRECAUCIÓN : El no seguir una advertencia de seguridad puede conducir a daño patrimonial o a que usted u otras personas sufran lesiones personales. Siga siempre las precauciones de seguridad para reducir el riesgo de incendio, descarga eléctrica y lesiones personales.

REMARQUE: Le ofrece información o instrucciones que son esenciales para la operación o mantenimiento del equipo.



Copie el número del modelo/ pieza del fabricante aquí:

Copie el número de serie aquí:

Lea el manual del operador y siga todas las advertencias e instrucciones de seguridad. De no hacerlo, el operador y/o los espectadores pueden sufrir graves lesiones.

SI TIENE PREGUNTAS, LLAME AL 1-800-659-5917

• IMPORTANTE INFORMACION DE SEGURIDAD •

LEA TODAS LAS INSTRUCCIONES ANTES DE LA OPERACION

WARNING: Al utilizar la unidad, debe observar las reglas de seguridad. Lea estas instrucciones antes de operar la unidad a fin de garantizar la seguridad del operador y cualquier transeúnte. Guarde estas instrucciones para uso posterior.

- Lea las instrucciones cuidadosamente. Familiarícese con los controles y el uso adecuado de la unidad.
- No opere esta unidad cuando esté cansado, enfermo o bajo la influencia de alcohol, drogas o medicamentos.
- Los niños y los adolescentes menores de 15 años de edad no deben usar la unidad. Los adolescentes pueden hacerlo bajo la supervisión de un adulto.
- Todos los dispositivos de protección y los accesorios de seguridad deben estar instalados adecuadamente antes de operar la unidad.

- Inspeccione la unidad antes de usarla. Reemplace las piezas dañadas. Verifique si hay fugas de combustible. Asegúrese de que todos los fijadores estén en su lugar y asegurados. Reemplace las piezas que estén agrietadas, astilladas o dañadas en cualquier forma. No opere la unidad con piezas sueltas o dañadas.
- Inspeccione cuidadosamente el área antes de operar la unidad. Elimine todos los escombros y los objetos duros o filosos tales como cristal, alambre, etc.
- No permita niños, espectadores ni mascotas en el área. Los niños, los espectadores y las mascotas deben estar fuera de un radio de 50 pies (15 m.) como mínimo; de todas formas los espectadores correrán el riesgo de ser golpeados por objetos lanzados por la unidad. Se debe exhortar a los espectadores a que usen protección para los ojos. Si se le acerca alguien apague la unidad de inmediato.
- Oprima el control del estrangulador y compruebe que regresa automáticamente a la posición de marcha en vacío. Haga todos los ajustes o reparaciones antes de usar la unidad.

ADVERTENCIAS DE SEGURIDAD PARA LOS RECORTADORES A GASOLINA



ADVERTENCIA: La gasolina es muy inflamable y sus gases pueden explotar si se encienden. Tome las siguientes precauciones:

- Guarde el combustible en envases que hayan sido diseñados y aprobados para el almacenamiento de dichos materiales.
- Evite crear una fuente de encendido por combustible derramado. No arranque el motor hasta que se hayan disipado los vapores del combustible.
- Antes de llenar el tanque de combustible, apague siempre el motor y espere que se enfríe. No retire nunca la tapa del tanque de combustible ni cargue combustible mientras el motor esté caliente. No opere nunca la unidad sin la tapa del combustible colocada firmemente en su lugar. Afloje la tapa del combustible lentamente para disipar la presión del tanque.
- Agregue el combustible en un área exterior bien ventilada, donde no haya chispas ni llamas. Quite lentamente la tapa de combustible sólo después de haber parado el motor. No fume mientras esté llenando de combustible o mezclándolo. Limpie de la unidad inmediatamente cualquier combustible derramado. Seque siempre la unidad antes de usarla.
- Aleje la unidad a por lo menos 9,1 m (30 pies), del lugar de carga de combustible antes de arrancar el motor. No fume, mantenga las chispas y las llamas abiertas lejos del área mientras carga el combustible u opera la unidad.

DURANTE LA OPERACIÓN

- No arranque ni opere la unidad en un cuarto o edificio cerrado. Los gases de escape de monóxido de carbono pueden ser letales en un área cerrada. Opere esta unidad sólo en un área exterior bien ventilada.
- Use lentes o gafas de protección que cumplan con las normas ANSI Z87.1-1989, y protección para sus oídos/audición mientras opere esta unidad. Use siempre una máscara facial o para protegerse contra el polvo si la operación levanta polvo.
- Nunca haga funcionar la unidad sin que ésta tenga conectado el equipo apropiado.
- Para reducir el riesgo de pérdida auditiva asociada con los niveles de sonido, use siempre protección para las oídos cuando haga funcionar esta unidad.
- Use pantalones largos gruesos, botas, guantes y una camisa de mangas largas. No use ropa, suelta, joyas, pantalones cortos, sandalias ni ande descalzo. Recójase el cabello por encima de la altura de los hombros.
- Use la unidad únicamente con la luz del día o con buena luz artificial.
- Mantenga las superficies exteriores libres de aceite y combustible.
- Evite arrancar la unidad accidentalmente. Colóquese en posición de inicio siempre que tire de la cuerda de arranque. El operador y la unidad deben estar en una posición estable al comenzar. Lea las Instrucciones de Arranque y Apagado.
- No ponga la unidad sobre ninguna superficie excepto sobre una superficie que esté limpia y que sea sólida, cuando el motor esté prendido. Los desechos tales como la grava, arena, polvo, césped, etc, pueden ser absorbidos por la toma de aire y ser lanzados por la abertura de descarga, causándole daños a la unidad, propiedad o causándole lesiones graves a los espectadores o al operario.
- Use la herramienta adecuada. Solamente use esta herramienta para la tarea que ha sido diseñada.
- No fuerce la unidad. Hará mejor el trabajo y con menos probabilidad de lesión bajo la tasa de funcionamiento que fue diseñada.
- No intente alcanzar demasiado lejos ni lo use desde superficies inestables como escaleras, árboles, pendientes pronunciadas, techos, etc. Mantenga siempre una posición y equilibrio adecuados.
- Sostenga siempre la unidad con ambas manos mientras esté en funcionamiento.

- Mantenga las manos, la cara y los pies lejos de todas las partes móviles. No toque ni intente detener el rotor cuando esté girando. No la haga funcionar sin los protectores puestos en su lugar.
- No ponga ningún objeto en las aberturas. No la use cuando cualquier abertura esté bloqueada, manténgalas libres de mugre, desechos o cualquier cosa que pueda reducir el flujo de aire.
- No toque el motor, o el silenciador. Estas partes se calientan mucho con la operación. Luego de apagar la unidad, permanecen calientes durante un tiempo breve.
- No opere el motor a una velocidad mayor que la necesaria para hacer el trabajo. No haga funcionar el motor a alta velocidad mientras no lo está usando.
- Apague siempre el motor cuando demore la operación o mientras camina de un lugar hacia otro.
- Pare el motor para hacerle mantenimiento, reparaciones, para instalar o quitarle los tubos de soplado. La unidad debe parar y el rotor no debe estar girando, para evitar contacto con las cuchillas que giran.
- Si golpea o se enreda con un objeto extraño pare el motor de inmediato y compruebe si ha habido algún daño. No haga funcionar el equipo antes de reparar el daño. No opere la unidad si tiene piezas flojas o dañadas.
- Use sólo piezas y accesorios de repuesto del fabricante del equipo original para esta unidad. Puede obtenerlos en su proveedor de servicio autorizado. El uso de piezas y accesorios que no son equipo original puede causar graves lesiones al operador o el daño de su unidad, y la cancelación de su garantía.
- Para reducir el riesgo de incendio, cambie los silenciadores y parachispas defectuosos. Mantenga el motor y el silenciador libre de pasto, hojas, grasa excesiva o acumulaciones de carbono.
- Nunca apunte la sopladora hacia a la gente, mascotas o ventanas. Dirija siempre el soplado de desechos lejos de la gente, animales y ventanas. Tenga mucho cuidado cuando sople desechos cerca de objetos sólidos como árboles, automóviles, paredes, etc.

OTRAS ADVERTENCIAS DE SEGURIDAD

- Nunca guarde la unidad con combustible en el tanque dentro de un edificio en donde los gases puedan alcanzar una llama expuesta (pilotos, etc) o chispas (interruptores, motores eléctricos, etc.)
- Permita que el motor se enfríe antes de guardarla o transportarla. Asegúrese de sujetar la unidad mientras transportarla.
- Guarde la unidad en un lugar seco, bien sea bajo llave o suficientemente alto para que evite el uso no autorizado o daños. Manténgala fuera del alcance de los niños.
- Nunca remoje o chorree la unidad con agua o cualquier otro líquido. Mantenga los manijas secos, limpios y libres de escombros. Límpiela después de cada uso, vea las Instrucciones de Limpieza y Almacenamiento.
- Conserve estas instrucciones. Consúltelas con frecuencia y úselas para instruir a otros usuarios. Si le presta esta unidad a otras personas, también incluya las instrucciones.

NOTA ESPECIAL: La exposición a las vibraciones mediante el uso prolongado de herramientas manuales a gasolina puede causar daños en los vasos sanguíneos o nervios de los dedos, manos y articulaciones en las personas que presentan una predisposición a trastornos circulatorios o inflamaciones anormales. Por otra parte, el uso prolongado en el clima frío ha sido relacionado con el daño de vasos sanguíneos en personas sanas. En caso de ocurrir síntomas como adormecimiento, dolor, pérdida de fuerza, cambio en el color o textura de la piel o pérdida de sensación en los dedos, manos o articulaciones, abandone el uso de esta herramienta y obtenga atención médica. Un sistema antivibratorio no garantiza la prevención de estos problemas. Los usuarios que operan herramientas motrices en forma regular y continua deben controlar con cuidado su condición física y la condición de esta herramienta.

CONSERVE ESTAS INSTRUCCIONES

NORMAS PARA UNA OPERACIÓN SEGURA

• SIMBOLOS DE SEGURIDAD E INTERNACIONALES •

Este manual del operador describe los símbolos y figuras de seguridad e internacionales que pueden aparecer en este producto. Lea el manual del operador para obtener información completa acerca de la seguridad, ensamble, operación y mantenimiento y reparación.

SÍMBOLO SIGNIFICADO

	<ul style="list-style-type: none"> • SIMBOLO DE ALERTA DE SEGURIDAD Indica peligro, advertencia o precaución. Puede ser utilizado junto con otros símbolos o figuras.
	<ul style="list-style-type: none"> • LEA EL MANUAL DEL OPERADOR ADVERTENCIA: Lea el manual del operador y siga todas las advertencias e instrucciones de seguridad. De no hacerlo, el operador y/o los espectadores pueden sufrir graves lesiones.
	<ul style="list-style-type: none"> • USE PROTECCION OCULAR Y AUDITIVA ADVERTENCIA: Los objetos arrojados por la unidad y el ruido fuerte pueden causar graves lesiones oculares y pérdida auditiva. Utilice protección ocular que cumpla con las normas ANSI Z87.1-1989 y protección auditiva cuando opere esta unidad. Use una careta completa cuando la necesite.
	<ul style="list-style-type: none"> • COMBUSTIBLE SIN PLOMO Use siempre combustible limpio, nuevo y sin plomo.
	<ul style="list-style-type: none"> • INDICADOR DE ACEITE Consulte el manual del operador para obtener información acerca del tipo correcto de aceite.

SÍMBOLO SIGNIFICADO

	<ul style="list-style-type: none"> • CONTROL DE ENCENDIDO Y APAGADO ENCENDIDO /ARRANQUE /MARCHA
	<ul style="list-style-type: none"> • CONTROL DE ENCENDIDO Y APAGADO APAGADO o PARADO
	<ul style="list-style-type: none"> • MANTENGA ALEJADOS A LOS ESPECTADORES ADVERTENCIA: Mantenga a todos los espectadores, en especial a niños y animales domésticos a por lo menos 50 pies (15 m) del área de corte.
	<ul style="list-style-type: none"> • SUPERFICIE DE CALIENTE ADVERTENCIA: No toque un silenciador ni un cilindro caliente. Puede quemarse. Estas partes se calientan mucho con el uso. Luego de apagarse permanecen calientes durante un corto tiempo.
	<ul style="list-style-type: none"> • CONTROL DEL OBTURADOR <ol style="list-style-type: none"> 1. • Posición de OBTURACION COMPLETA 2. • Posición de OBTURACION PARCIAL 3. • Posición de MARCHA

GARANTIA

GARANTÍA TOTAL DE CRAFTSMAN

Si este producto de Craftsman Professional falla debido a un defecto en el material o en la mano de obra dentro de un período de dos años a partir de la fecha de compra, devuélvalo a cualquier tienda o Centro de Servicio de Piezas y Reparaciones Sears u otro establecimiento de Craftsman en los Estados Unidos para que sea reparado sin costo alguno (o ser reemplazado si resulta imposible repararlo).

Esta garantía se aplica solamente durante 90 días si este producto en algún momento se utiliza para fines comerciales o de alquiler.

Esta garantía abarca SOLAMENTE los defectos en el material o en la mano de obra. Sears NO pagará:

- Los artículos consumibles que se desgasten debido al uso normal dentro del período de garantía, tal como líneas de corte, filtros de aire o bujías.
- Las reparaciones necesarias debidas a accidente o por no operar o no mantener el equipo de acuerdo con todas las instrucciones provistas.
- Los mantenimientos preventivos o las reparaciones necesarias debido a mezcla incorrecta de combustible, combustible contaminado o viejo.

Esta garantía le concede a usted derechos legales específicos, y usted pudiera tener otros derechos que varían de un estado a otro.

Sears, Roebuck and Co., Hoffman Estates, IL 60179

Convenio de Protección de Reparación

Felicidades por haber realizado una compra inteligente. Su nuevo producto Craftsman® está diseñado y fabricado para ofrecerle años de funcionamiento confiable. Pero como todos los productos, es posible que sea necesario repararlo de vez en cuando. Ahí es cuando tener un Convenio de Protección de Reparación puede ahorrarle dinero y problemas.

Esto es lo que incluye el Convenio de Protección de Reparación*:

- Servicio experto** de nuestros 10,000 especialistas profesionales en reparaciones
- Servicio ilimitado y sin costo** alguno por piezas y mano de obra en todas las reparaciones cubiertas
- Reemplazo del producto** por un valor de hasta \$1500 si el producto cubierto no se puede reparar
- Descuento del 10%** en el precio regular del servicio, así como de las piezas instaladas, que el convenio no cubra; igualmente, 10% de descuento en el precio regular de comprobación de mantenimiento preventivo
- Ayuda rápida por teléfono** – llamamos Solución Rápida – asistencia técnica por teléfono de un representante de Sears. Piense en nosotros como si fuéramos un “manual del usuario que habla”.

Una vez que adquiera el Convenio de Protección de Reparación, todo lo que necesita es hacer una simple llamada para programar el servicio de reparación. Puede llamar a cualquier hora del día o de la noche, o hacer una cita de servicio por Internet.

El Convenio de Protección de Reparación es una compra libre de riesgo. Si usted cancela por cualquier motivo durante el período de garantía del producto, proporcionaremos un reembolso completo. O, un reembolso prorrateado en cualquier momento después de que venza el período de garantía del producto. ¡Adquiera hoy mismo su Convenio de Protección de Reparación!

Aplican algunas limitaciones y exclusiones. Para obtener precios e información adicional en los Estados Unidos, llame al 1-800-827-6655.

*** La cobertura en Canadá varía en algunos artículos. Para obtener todos los detalles, llame a Sears en Canadá al 1-800-361-6665.**

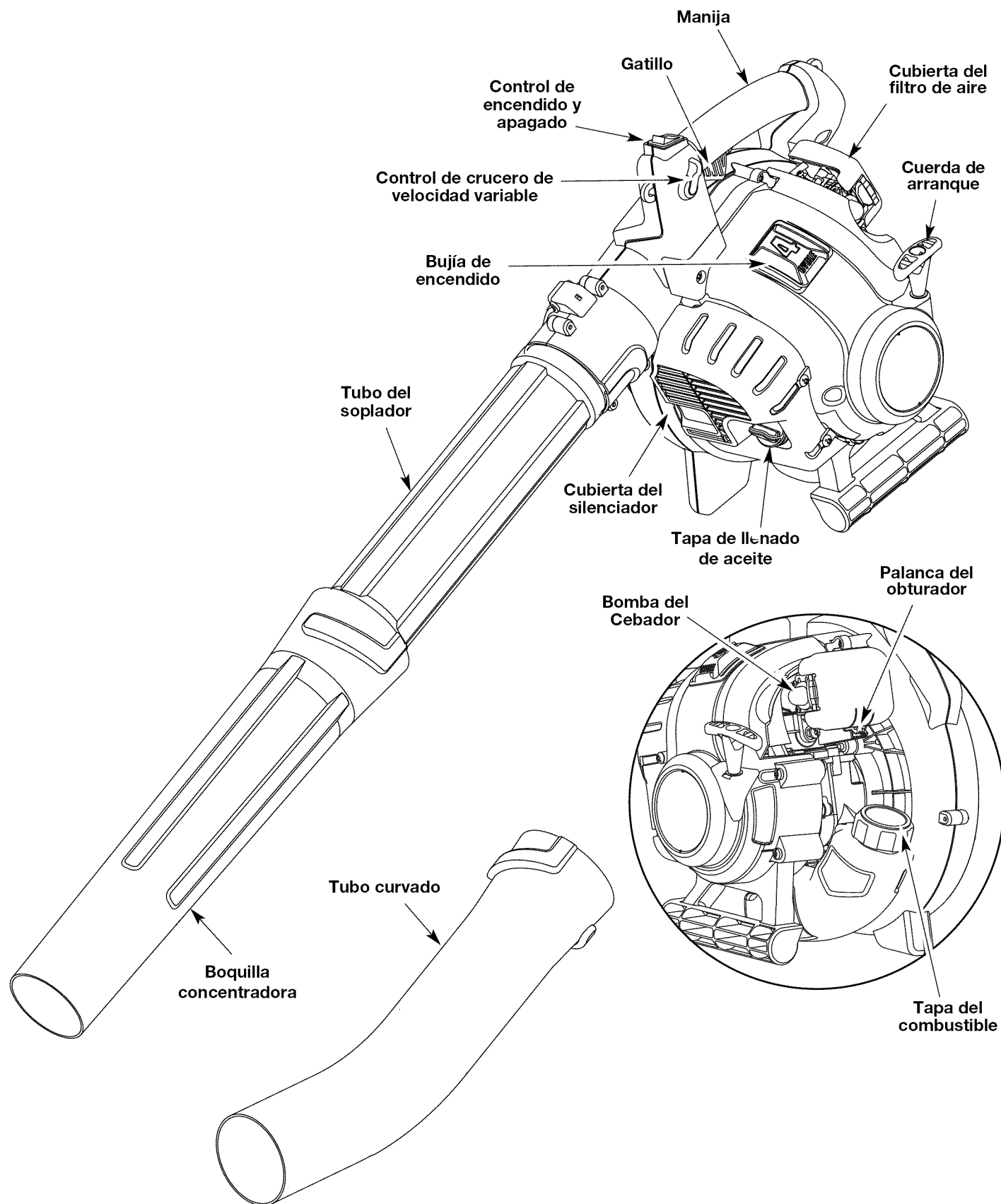
Servicio de Instalación Sears

Para la instalación de electrodomésticos, abridores de puertas de garaje, calentadores de agua, y otros productos para el hogar por profesionales de Sears, en los Estados Unidos o Canadá, llame al **1-800-4-MY-HOME®**.

CONOZCA SU UNIDAD

APLICACIÓN

Limpieza de jardines, cocheras, entradas de automóviles, pórticos, patios, alrededor de paredes, cercos, etc.



ENSAMBLE DE LA UNIDAD

Instalación del Tubo de la Sopladora

ADVERTENCIA: Para evitar graves lesiones personales, apague el motor y espere que el propulsor se detenga antes de conectar o retirar los tubos.

ADVERTENCIA : Para evitar graves lesiones personales y el daño de la unidad, el tubo del soplador debe estar instalado mientras opere esta unidad.

1. Alinee el tope en el extremo del tubo de la sopladora con la ranura de tope en el extremo inferior de la salida de la sopladora (Fig. 1).

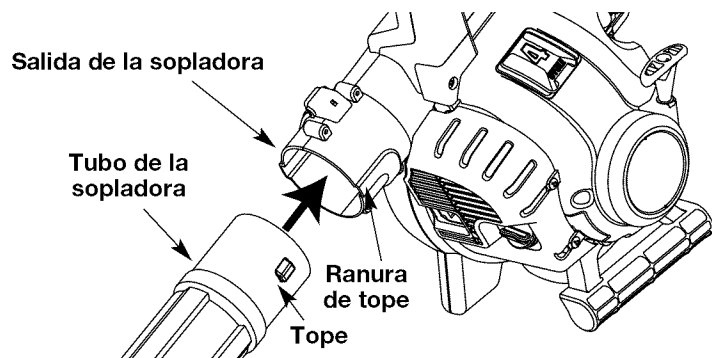


Fig. 1

2. Inserte el tope del tubo de la sopladora en la ranura de tope de la salida del tubo (Fig. 1).
3. Gire el tubo de la sopladora en el sentido de las agujas del reloj dentro de la salida de la sopladora hasta que el tope se traben en su lugar (Fig. 2).

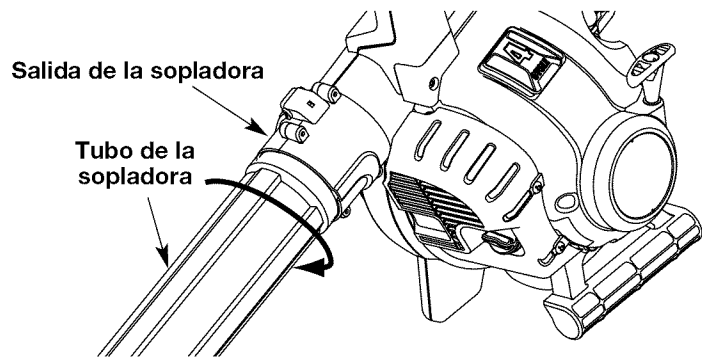


Fig. 2

Instalación de la Boquilla

1. Alinee el tope en el extremo del tubo de la sopladora con la ranura del tope en el extremo inferior de la salida de la sopladora (Fig. 3).
2. Inserte el tope del tubo de la sopladora en la ranura de tope de la boquilla (Fig. 3).

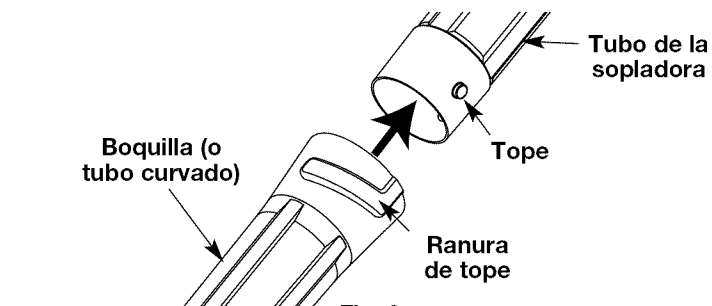


Fig. 3

3. Gire la boquilla en el sentido de las agujas del reloj sobre el tubo de la sopladora hasta que quede apretada (Fig. 4).

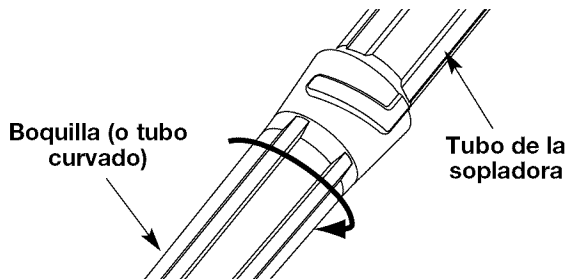


Fig. 4

Cómo Quitar el Tubo de la Sopladora

1. Sujete la unidad firmemente.
2. Inserte un destornillador de cabeza plana en la traba del tubo. Gire el destornillador en sentido contrario a las agujas del reloj 1/4 de vuelta y manténgalo ahí (Fig. 5).

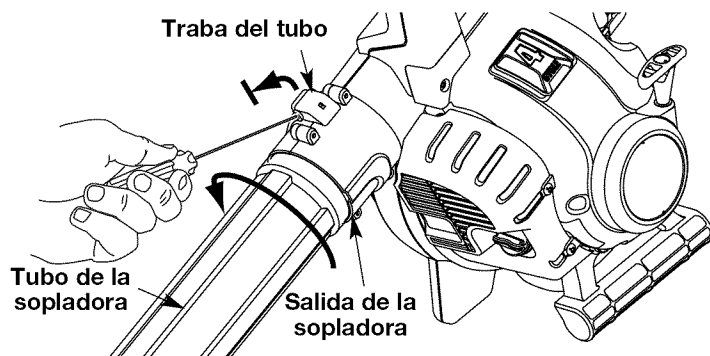


Fig. 5

3. While holding the screwdriver in a counterclockwise position, sujete el tubo de la sopladora y gírelo en sentido contrario a las agujas del reloj (Fig. 5).
4. Tire del tubo de la sopladora de la salida de la sopladora.

Cómo Quitar la Boquilla

1. Sujete el tubo de la sopladora firmemente.
2. Sujete la boquilla y gírela en sentido contrario a las agujas del reloj hasta que la boquilla se destrabe del tubo de la sopladora (Fig. 6).
3. Quite la boquilla del tubo de la sopladora.

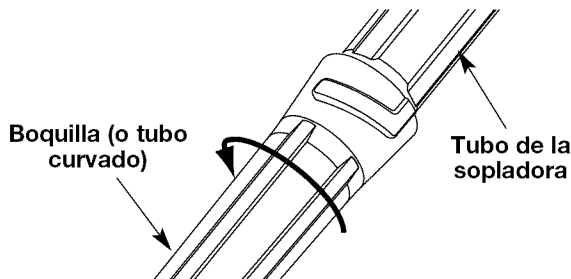


Fig. 6

INFORMACIÓN DEL ACEITE Y DEL COMBUSTIBLE



ADVERTENCIA: EL LLENAR DEMASIADO EL CÁRTER PUEDE CAUSAR LESIONES PERSONALES GRAVES. No podemos exagerar la importancia del control y mantenimiento del nivel correcto de aceite en el cigüeñal. Verifique el aceite antes de cada uso y cámbielo cuando sea necesario según se indica en la sección de Cambio del aceite.

TIPO DE ACEITE RECOMENDADO

El uso de un aceite del tipo y peso correctos en el cigüeñal es extremadamente importante. Verifique el aceite antes de cada uso y cambie el aceite con frecuencia. Si no usa el aceite correcto, o utiliza aceite sucio, puede causar el desgaste y falla prematuros del motor. Use un aceite de buena calidad SAE 30 de API (American Petroleum Institute) clase de servicio SG, SF, SH.

CARGA DE ACEITE EN EL CÁRTER DEL CIGÜEÑAL: USO INICIAL

NOTA: Esta unidad se envía sin carga de aceite. A fin de evitar el daño de la unidad, cargue aceite en el cárter del cigüeñal antes de intentar arrancar la unidad.

Su unidad trae una botella de aceite SAE 30 SF, SG, SH de 60 ml (2,03 onzas fluidas) (Fig. 7).

NOTA: Guarde la botella para medir la cantidad correcta de aceite cuando deba cambiarlo en el futuro. Lea Cambio de Aceite.

1. Desenrosque la tapa de la botella de aceite y retire el sello de papel que cubre la apertura. Vuelva a colocar la tapa. Corte la punta de la boquilla del embudo (Fig. 7).
2. Coloque la unidad sobre una superficie plana.
3. Saque el tapón de aceite/ varilla de medición del cigüeñal (Fig. 8).
4. Vierta todo el contenido de la botella de aceite en el cigüeñal (Fig. 9).

NOTA: No agregue nunca aceite al combustible o al tanque de combustible.

5. Limpie todo el aceite que pueda haberse derramado y vuelva a instalar el tapón del aceite / varilla de medición.

Verifique el aceite antes de cada uso y cámbielo cuando sea necesario según se indica en la sección de Cambio del aceite.

TIPO DE COMBUSTIBLE RECOMENDADO

El combustible viejo es la causa principal del mal funcionamiento de la unidad. Asegúrese de usar combustible nuevo, limpio y sin plomo.

NOTA: Este es un motor de cuatro ciclos. Para evitar dañar su unidad, no mezcle el aceite con la gasolina.

Definición de los combustibles de mezcla

Los combustibles actuales con frecuencia son una mezcla de gasolina y uno o más oxigenantes como el etano, el metanol o el MTBE (éter). El combustible con mezcla de alcohol absorbe agua. Un porcentaje de agua tan pequeño como el 1% en el combustible puede hacer que el combustible y el aceite se separen. Se forman ácidos mientras está guardado. Cuando use combustible con mezcla de alcohol, use combustible nuevo (almacenado durante menos de 60 días).

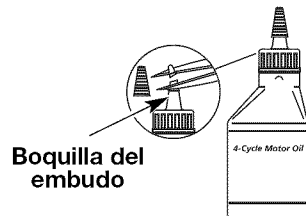


Fig. 7

Tapón de relleno de aceite



Fig. 8

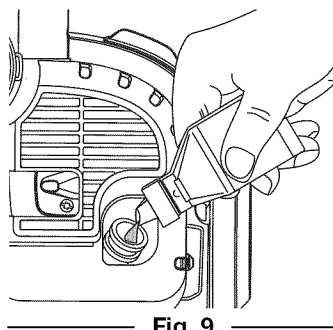


Fig. 9

Uso de los combustibles de mezcla

Si decide usar un combustible de mezcla o si su uso es inevitable, le recomendamos que tome las siguientes precauciones:

- Use siempre una mezcla fresca de combustible según lo indica su manual del operador
- Use un aditivo de combustible estabilizador de gasolina
- Drene el tanque y haga funcionar el motor en seco antes de guardar la unidad

Uso de aditivos en el combustible

El uso de un estabilizador de gasolina impedirá la corrosión y reducirá al mínimo la formación de depósitos de resina. El uso de aditivos puede evitar que se formen depósitos dañinos en el carburador por hasta ocho (8) meses. Agregue 23 ml (0,8 de onza) de aditivo por galón de combustible de acuerdo a las instrucciones del envase. No agregue NUNCA los aditivos directamente al tanque de combustible de la unidad.

CARGA DE COMBUSTIBLE EN LA UNIDAD



ADVERTENCIA: Cargue el combustible en un área exterior limpia y bien ventilada. Limpie de inmediato todo combustible que se haya derramado. Evite crear una fuente de encendido con el combustible derramado. No arranque el motor hasta que se hayan evaporado los gases del combustible.



ADVERTENCIA: La gasolina es muy inflamable. Los gases pueden explotar si se encienden. Apague siempre el motor y espere que se enfríe antes de cargar el tanque. No fume mientras llena el tanque. Mantenga las chispas y las llamas lejos del área.

1. Saque la tapa de la gasolina (Fig. 10).



ADVERTENCIA: Saque la tapa del combustible lentamente para evitar lesionarse con el rociado del combustible. No opere nunca la unidad sin la tapa del combustible firmemente colocada en su lugar.

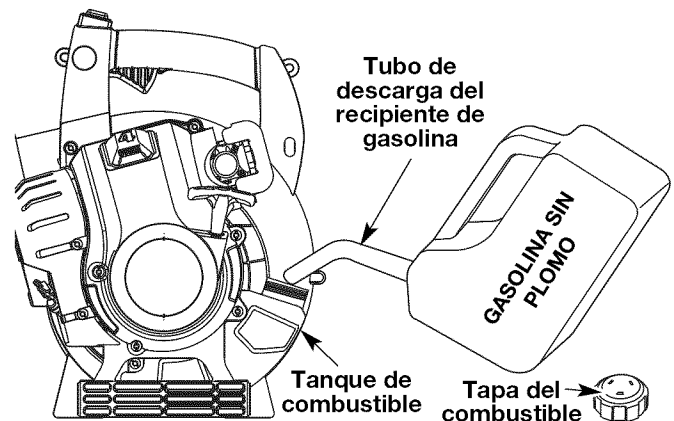


Fig. 10

2. Coloque el pico del recipiente de gasolina en el orificio de llenado del tanque de gasolina (Fig. 13) y llene el tanque.

NOTA: No llene el tanque demasiado.

3. Limpie toda la gasolina que pueda haberse derramado.
4. Vuelva a instalar la tapa de la gasolina.
5. Mueva la unidad por lo menos 9,1 m (30 pies) de la fuente y sitio de carga antes de arrancar el motor.

NOTA: Elimine la gasolina vieja de acuerdo a los reglamentos federales, estatales y locales.

INSTRUCCIONES DE ARRANQUE Y APAGADO



ADVERTENCIA: Use esta unidad sólo en un área exterior bien ventilada. Los gases de escape de monóxido de carbono pueden ser letales en un área cerrada.



ADVERTENCIA: Evite los arranques accidentales. Colóquese en posición de inicio cuando tire de la cuerda de arranque (Fig. 15 o 16). El operador y la unidad deben estar en una posición estable al arrancar la unidad para evitar graves lesiones personales.

INSTRUCCIONES DE ARRANQUE

1. Verifique el nivel de aceite en el cárter del cigüeñal. *Lea Inspección del Nivel de Aceite.*
2. Llene el tanque de combustible con gasolina nueva, limpia y sin plomo.
3. Oprima completamente el cebador y suéltelo 10 veces. Hágalo lentamente. Se deberá ver un poco de **combustible en el cebador y en las tuberías de alimentación de combustible** (Fig. 11). Si no puede ver el combustible en el cebador, oprímalo y suéltelo tantas veces como sea necesario hasta que vea combustible en el mismo.

4. Coloque la palanca del obturador en **Posición 3** (Fig. 12).

NOTA: La unidad debe arrancarse en vacío. No oprima el gatillo mientras arranca la unidad (Fig. 13).

5. Colóquese en la posición de arranque (Fig. 13) y tire de la cuerda de arranque hasta que sienta un poco de resistencia. Esto es por lo general aproximadamente de 2 a 4 pulgadas. Tire de la cuerda 4 veces con movimientos suaves y rápidos.
6. Coloque la palanca del obturador en la Posición 2 (Fig. 13).
7. Tire de la cuerda de arranque fuertemente de 1 a 4 veces para arrancar el motor. No tire de la asa durante comenzar o la unidad no comenzará.
8. Oprima el gatillo después de que el motor arranque para calentarlo durante 30 a 60 segundos.
9. Coloque la palanca del obturador en la Posición 3 (Fig. 13). La unidad está lista para usar.

Si... el motor no arranca, regrese al paso 3.

Si... el motor no arranca después de varios intentos, coloque la palanca del obturador en la Posición 3 y tire de la cuerda de arranque fuertemente de 3 a 8 veces. El motor debe arrancar. Si no lo hace, repita el procedimiento.

ARRANQUE EN CALIENTE: Si la unidad ya está caliente; coloque la palanca del obturador en la Posición 2, asegurándose de NO oprimir el gatillo del regulador, y siga los pasos del 7 al 9 anteriormente mencionados.

INSTRUCCIONES DE PARADA

1. Libere el gatillo. Deje que el motor se enfríe dejándolo funcionar en mínima.
2. Oprima y mantenga oprimido el Control de encendido y apagado en la posición APAGADO (O) hasta que el motor se detenga por completo (Fig. 11).

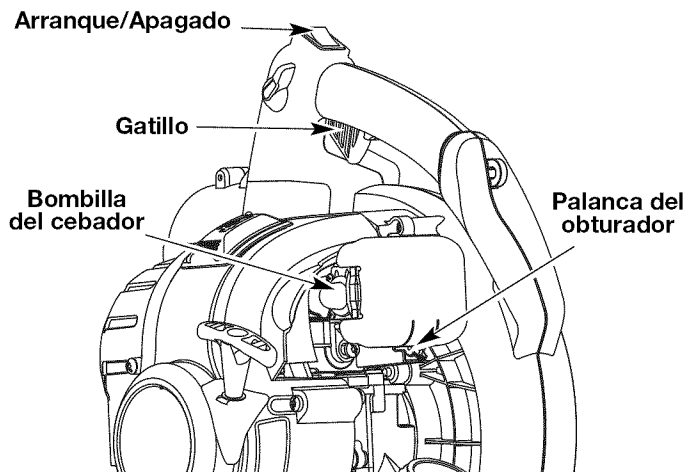


Fig. 11

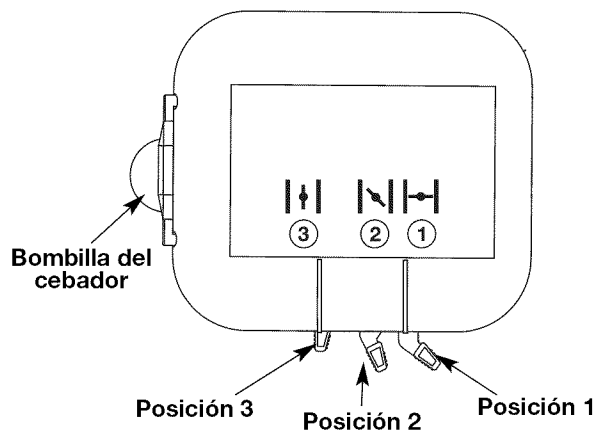


Fig. 12

Posición de Arranque

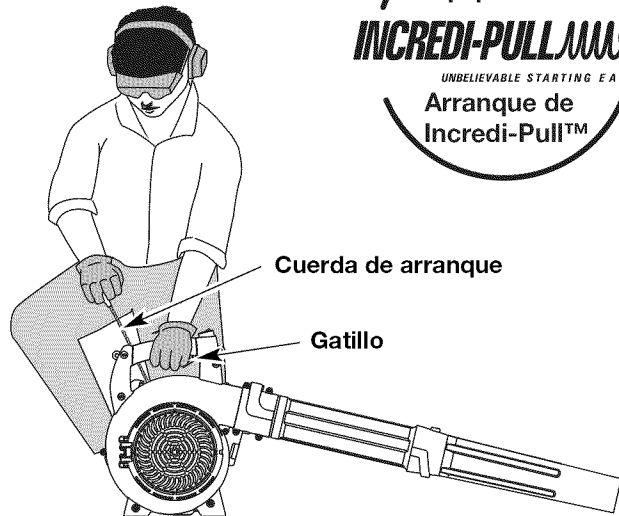


Fig. 13

SOSTENIMIENTO DE LA SOPLADORA/ ASPIRADORA



ADVERTENCIA: Después de arrancar la unidad, párese siempre en el lado izquierdo de la unidad para operarla, tal como se muestra en la Figura 20.

Antes de operar esta unidad, párese en la posición de operación. Verifique lo siguiente:

- El operador está vestido con la ropa apropiada tal como botas, gafas de protección, protección auditiva, guantes, pantalones largos y camisa de manga larga.
- Si las condiciones son polvorientas, el operador lleva puesta una máscara.



ADVERTENCIA: Para evitar lesiones personales graves, póngase gafas de seguridad en todo momento cuando maneje esta unidad. Póngase una máscara o máscara para polvo en sitios que sean polvorientos.

- La unidad se encuentra en buen estado de funcionamiento.
- Los tubos están puestos y asegurados en su lugar.

CONSEJOS ÚTILES SOBRE LA OPERACIÓN



ADVERTENCIA: Para evitar lesiones personales graves o daño a la unidad, asegúrese de que los tubos de la sopladora estén colocados antes de hacer funcionar la unidad.

Cómo usar el control de crucero de velocidad variable

1. Una vez que el motor haya arrancado y esté caliente, oprima el gatillo para acelerar la unidad según sea necesario (Fig. 14).
2. Para períodos de funcionamiento más prolongados y para eliminar la posibilidad de fatiga en el dedo, mueva el control de crucero de velocidad variable hacia la posición RÁPIDO para aumentar poco a poco o mantener la velocidad del motor de la unidad (Fig. 14). Cuando se oprima el control de crucero de velocidad variable, el gatillo retrocederá hacia la manija.
3. Para disminuir la velocidad del motor, mueva el control de crucero de velocidad variable hacia la posición LENTO y el gatillo regresará a la posición de marcha en vacío (Fig. 14).

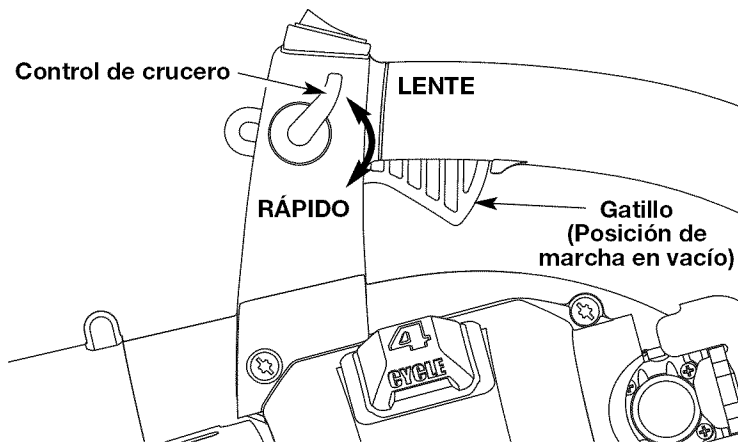


Fig. 14

Otras Recomendaciones

- Asegúrese que la unidad no apunte hacia desechos sueltos o personas antes de ponerla en marcha.
- Compruebe que la unidad se encuentre en buen estado de funcionamiento. Verifique que los tubos estén puestos y asegurados en su lugar.
- Sujete siempre la unidad firmemente cuando esté funcionando. Sujete firmemente la manija.
- Se requiere el uso de protección auditiva para reducir el riesgo de pérdida auditiva asociada con los niveles de sonido.
- Opere el equipo solamente durante horas razonables — no muy temprano en las mañanas ni muy tarde en las noches, cuando la gente se pueda molestar. Acate las horas detalladas en las ordenanzas locales. La recomendación usual es de 9:00 am a 5:00 pm, de lunes a sábado.
- Limite el número de equipos que se usen simultáneamente, para reducir los niveles de ruido.
- Opere las sopladoras motorizadas a la menor velocidad posible, para hacer el trabajo y reducir los niveles de ruido.
- Verifique el estado del equipo antes del funcionamiento, especialmente el tubo de escape, tomas de aire y filtros de aire.
- Use rastrillos y escobas para esparcir los desechos antes de soplarlos.
- Remoje ligeramente las superficies o use un aditamento para rociar cuando haya agua disponible y se encuentre bajo condiciones polvorientas.
- Conserve agua mediante el uso de sopladoras motorizadas en vez de usar mangueras para muchas de las aplicaciones de prados y ajardinado, incluyendo áreas tales como canales, mallas, patios, parrillas, pórticos y jardines.
- Tenga cuidado con los niños, animales domésticos, ventanas abiertas y automóviles recién lavados, y sople los desechos en forma segura.
- Use la extensión completa de la boquilla sopladora de manera que el chorro de aire salga cerca al suelo.
- Limpie después de usar las sopladoras y otros equipos. Deposite los desechos en recipientes para la basura.
- Use la sopladora para árboles, arbustos, macizos de flores y zonas de limpieza difícil. Use la unidad alrededor de edificios y para otras limpiezas normales.
- **Sujete la sopladora con la mano derecha.** Cuando la unidad esté funcionando, no se pare en el lado derecho de la sopladora (Fig. 14). Si lo hace, bloqueará la entrada de aire y ello afectará el funcionamiento de la unidad. Párese, por el contrario, sobre el lado izquierdo de la unidad para aumentar al máximo la eficiencia de la unidad (Fig. 15).

POSICIÓN INCORRECTA

POSICIÓN CORRECTA

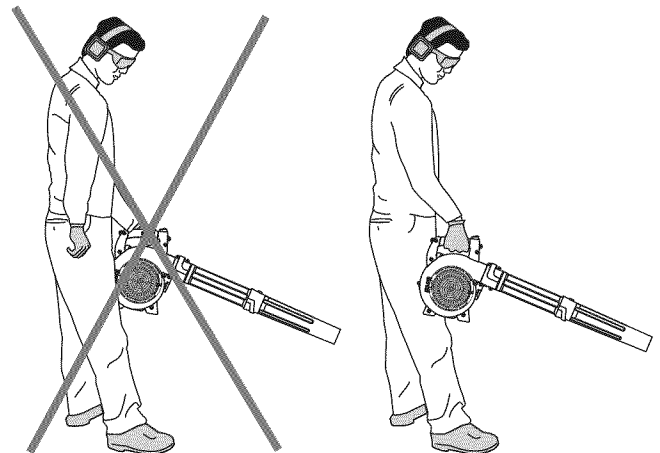


Fig. 15

INSTRUCCIONES DE MANTENIMIENTO Y REPARACIÓN

PROGRAMA DE MANTENIMIENTO



ADVERTENCIA: Para evitar lesiones personales graves, nunca realice mantenimiento ni reparaciones con la unidad funcionando. Realice siempre el mantenimiento y las reparaciones con la unidad fría. Desconecte el cable de la bujía de encendido para cerciorarse de que la unidad no arrancará.

Estos procedimientos requeridos para el mantenimiento deben ser realizados con la frecuencia indicada en la tabla. Deben ser incluidos como parte de toda puesta a punto de cada temporada.

NOTA: Es posible que algunos procedimientos de mantenimiento requieran herramientas o habilidades especiales. Si no está


seguro sobre estos procedimientos, lleve la unidad a un Sears o a otro proveedor de servicio calificado.

NOTA: Los trabajos de mantenimiento, reemplazo o reparación del sistema y los dispositivos de control de emisiones pueden ser realizados por un Sears u otro proveedor de servicio calificado.

Para asegurar funcionamiento máximo de su motor, la inspección del puerto del extractor del motor puede ser necesaria después de 50 horas de la operación. Si usted nota la RPM perdida, degradación de las prestaciones o carencia general de la aceleración, este servicio puede ser requerido. Si usted se siente su motor está en necesidad de esta inspección, refiera el servicio a a se chamusca o el otro distribuidor cualificado del servicio para la reparación. No procure realizar este proceso usted mismo como el daños de motor pueden resultar de los contaminantes implicados en el proceso de la limpieza para el puerto.

FRECUENCIA	MANTENIMIENTO REQUERIDO	CONSULTE
Antes de arrancar el motor	Llene el tanque de combustible con combustible nuevo Inspeccione el aceite	p. E7 p. E10
Cada 10 horas	Limpie y vuelva a aceitar el filtro de aire	p. E11
Primer cambio a las 10 horas Cada 25 horas en lo sucesivo Cada 25 horas	Cambie el aceite Cambie el aceite Limpie el amortiguador de chispas y cambie el aceite	p. E10 p. E10 p. E13 & E10
10 horas en un motor nuevo Cada 25 horas Cada 25 horas	Verifique la separación entre el brazo oscilante y la válvula y ajuste Verifique la separación entre el brazo oscilante y la válvula y ajuste Verifique la condición y separación de la bujía de encendido	p. E12 p. E12 p. E13
200 horas	Lleve la unidad a un Sears o a otro proveedor de servicio calificado para servicio	

INSPECCION DEL NIVEL DE ACEITE



ADVERTENCIA: Use guantes para evitar sufrir lesiones cuando maneje la unidad.

No podemos exagerar la importancia de verificar y mantener el nivel correcto de aceite en el cárter del cigüeñal. Inspeccione el nivel de aceite antes de cada uso:

1. Detenga el motor y permita que el aceite drene en el cárter del cigüeñal.
2. Coloque el motor en una superficie a nivel (Fig. 16).
3. Limpie el área alrededor del la varilla para medir el aceite antes de sacarla. Mantenga el motor libre de tierra, hierbas y demás escombros.
4. Saque el tapón de aceite del cigüeñal.
5. La mirada en el petróleo llena hoyo, utiliza una linterna si necesitado. El petróleo debe estar tocando apenas las interiores la mayoría de los hilos (Fig. 17).
6. Si el nivel de aceite no está tocando la rosca más interna del agujero de llenar aceite, añada una pequeña cantidad al agujero de llenar aceite y vuelva a comprobar (Fig. 17). Repita este procedimiento hasta que el nivel de aceite alcance la rosca más interna del agujero de llenar aceite.

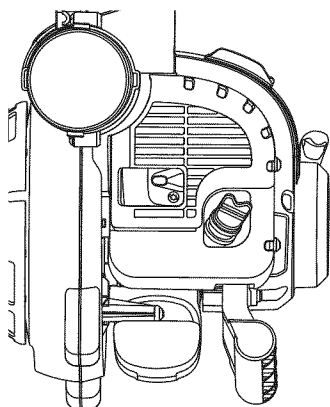


Fig. 16

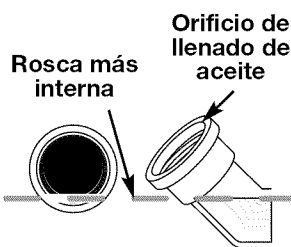


Fig. 17

caliente. El aceite fluirá con libertad y llevará más impurezas.

1. Retire el tapón de relleno de aceite / varilla de medición.
2. Vierta el aceite fuera del orificio de llenado de aceite en un recipiente inclinando la unidad hasta una posición vertical (Fig. 19). Deje suficiente tiempo como para completar el drenaje.
3. Seque todo el aceite residual de la unidad y limpie todo el aceite que pueda haberse derramado. Elimine todo el aceite de acuerdo con las normas federales, estatales y locales.
4. Vuelva a cargar el cárter del cigüeñal con 60 ml (2,03 onzas fluidas) de aceite SAE 30 SF, SG, SH.

NOTA: Use la botella y la boquilla que guardó del uso inicial para medir la cantidad correcta. El nivel de 60 ml (2,03 onzas) está



Fig. 18

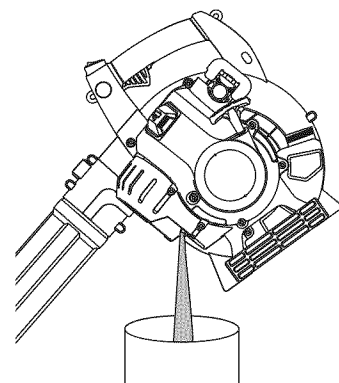


Fig. 19

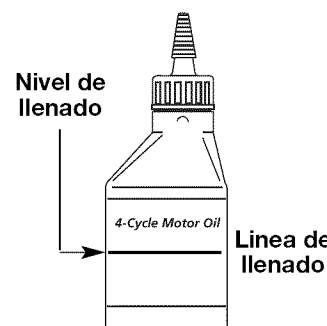
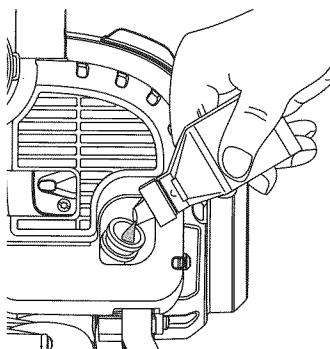


Fig. 26

NOTA: No llene demasiado la unidad.

NOTA: Verifique que el anillo en O esté en su lugar en el tapón de relleno de aceite / varilla de medición cuando mida y cambie el aceite (Fig. 18).

CAMBIO DEL ACEITE

En un motor nuevo, cambie el aceite después de las 10 primeras horas de operación. Cambie el aceite mientras el motor aún está

INSTRUCCIONES DE MANTENIMIENTO Y REPARACIÓN

aproximadamente en la parte superior de la etiqueta de la botella (Fig. 20). Mida el nivel con la varilla de medición. Si el nivel está bajo, agregue una pequeña cantidad de aceite y vuelva a medir (Fig. 17). No lo llene demasiado.

5. Vuelva a colocar el tapón de relleno de aceite/varilla de medición.
6. Vuelva a conectar el manguito de la bujía de encendido.

MANTENIMIENTO DEL FILTRO DE AIRE



ADVERTENCIA: Para evitar graves lesiones personales, apague siempre su unidad y espere que se enfríe antes de limpiarlo o realizar todo tipo de mantenimiento.

Limpieza del filtro de aire

Limpie y vuelva a aceitar el filtro de aire cada 10 horas de operación. Es una de las partes cuyo mantenimiento es importante. No mantener debidamente su filtro de aire puede resultar en funcionamiento inadecuado o puede causar daño permanente a su motor.

1. Abra la tapa del filtro de aire. Empuje hacia adentro la lengüeta que está en lado izquierda de la tapa. Después hale hacia derecho del filtro de aire (Fig. 21).

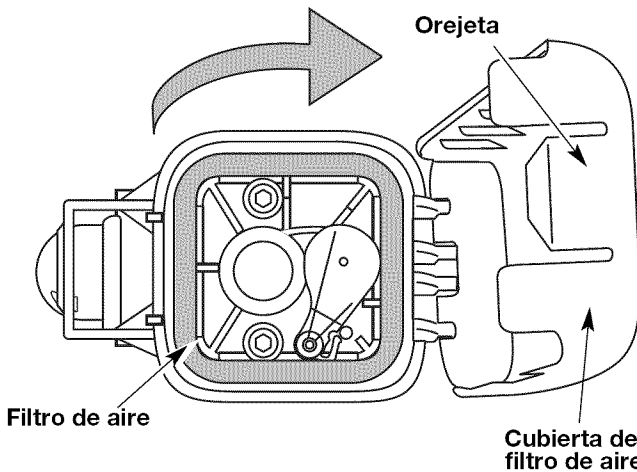


Fig. 21

2. Retire el filtro de aire (Fig. 21).
3. Lave el filtro con agua y detergente (Fig. 22). Enjuague bien el filtro y déjelo secar.

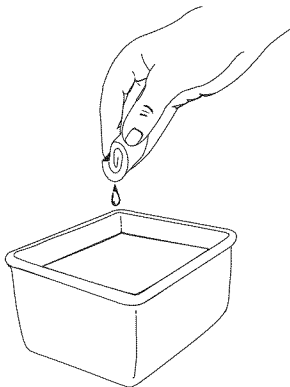


Fig. 22

4. Aplique suficiente aceite limpio de motor SAE 30 para recubrir ligeramente el filtro (Fig. 23).
5. Apriete el filtro para esparcir y retirar el exceso de aceite (Fig. 24).
6. Vuelva a colocar el filtro (Fig. 25).

NOTA: Si opera la unidad sin el filtro de aire, su garantía será **ANULADA**.

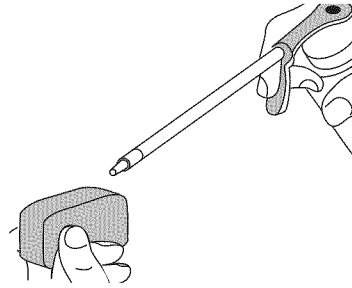


Fig. 23

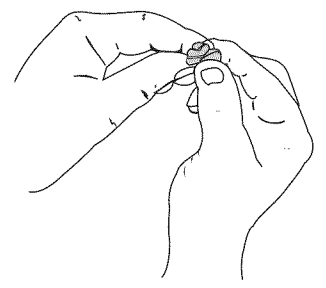


Fig. 24

7. Instale de nuevo la tapa del filtro de aire. Haga coincidir las ranuras que hay en la lado derecho de la tapa del filtro de aire con las lengüetas de la lado derecho de la placa posterior (Fig. 25).

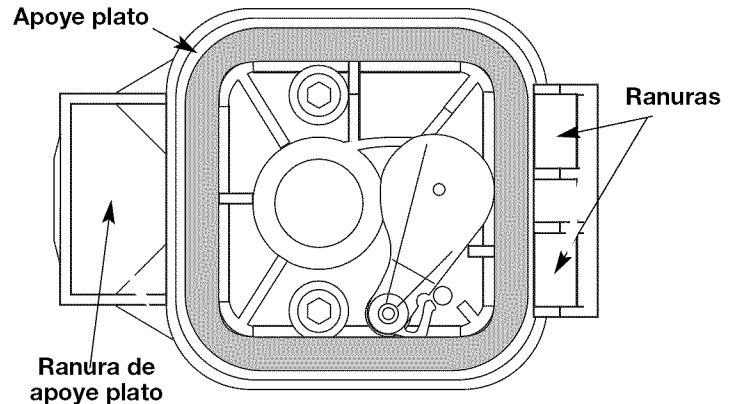


Fig. 25

8. Gire la tapa hacia izquierda hasta que la lengüeta de la placa posterior del filtro de aire se enganche en la ranura de la izquierda del filtro de aire (Fig. 26).

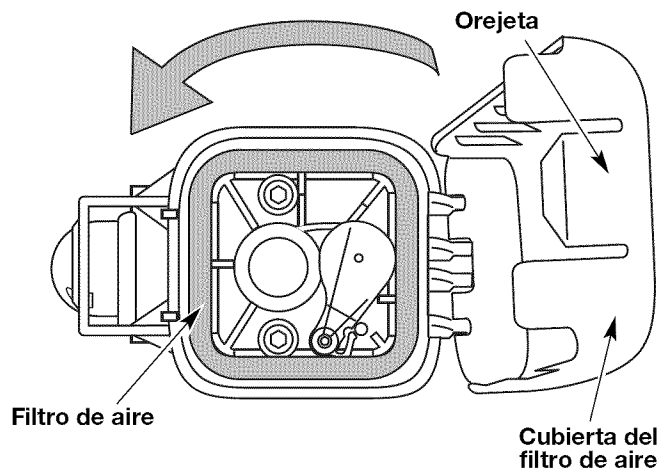


Fig. 26

AJUSTE DEL VELOCIDAD MINIMA

La velocidad mínima del motor puede ser ajustada. Puede tener acceso al tornillo de ajuste de mínima a través de un orificio en la parte superior de la cubierta del motor (Fig. 33).

NOTA: Los ajustes descuidados pueden dañar su motor seriamente. Los ajustes del carburador deben ser realizados por un Sears o proveedor de servicio calificado.

Inspección del Combustible

En general, el combustible viejo es el motivo principal para que la unidad no funcione en forma adecuada. Drene y vuelva a llenar el tanque con combustible nuevo, limpio y sin plomo antes de hacer ningún ajuste. Consulte la Información acerca del Aceite y Combustible.

Limpeza del Filtro de Aire

La condición del filtro de aire es importante para el funcionamiento de la unidad. Un filtro de aire sucio limitará el flujo de aire y cambiará la mezcla de aire y combustible. Con frecuencia esto se confunde con un carburador fuera de ajuste. Inspeccione la condición del filtro de aire antes de ajustar el tornillo de velocidad mínima. Consulte la sección de Mantenimiento del Filtro de Aire.

Ajuste del Tornillo de Velocidad Mínima



ADVERTENCIA: Es necesario que esta unidad esté funcionando durante el ajuste de la velocidad de marcha en vacío. Use ropa de protección y observe todas las instrucciones de seguridad para evitar lesiones personales graves.

Además, al arrancar la unidad o realizar ajustes, NO la coloque sobre ninguna superficie, que no esté limpia y dura. Los residuos, como gravilla, arena, polvo, hierba, etc., podrían ser lanzados por el tubo de la sopladora y ocasionar daños a la propiedad o lesiones graves a los transeúntes o al operador.

Si después de inspeccionar el combustible y limpiar el filtro de aire el motor aún no funciona en mínima, ajuste el tornillo de velocidad mínima según se indica a continuación.

1. Arranque el motor y déjelo funcionar a una mínima alta durante un minuto para que se caliente.
2. Suelte el gatillo del regulador y deje que el motor funcione en mínima. Si el motor se para, inserte un destornillador Phillips pequeño en el orificio de la cubierta del motor (Fig. 27). Gire el tornillo de mínima hacia adentro, en sentido horario, de a 1/8 de vuelta por vez (según sea necesario) hasta que el motor funcione en mínima suavemente.

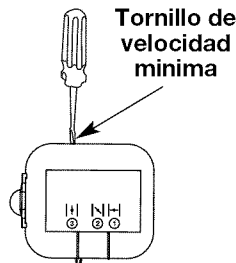


Fig. 27

La inspección del combustible, la limpieza del filtro de aire y el ajuste del tornillo de velocidad mínima debe resolver la mayoría de los problemas del motor. Si esto no sucede, y:

- El motor no funciona en mínima
- El motor fluctúa o se ahoga al acelerarlo
- Existe una pérdida de fuerza motriz

lleve el carburador a ajustar a un proveedor de servicio calificado.

HUELGO DEL BRAZO OSCILANTE

Esto requiere el desarmado del motor. Si usted siente que no está seguro o que no está calificado como para realizar esto, lleve la unidad a un centro de servicio autorizado.

NOTA: Inspeccione el huelgo de la válvula del brazo oscilante con una galga después de las primeras 10 horas de operación y luego cada 25 horas de operación en lo sucesivo.

- El motor debe estar frío cuando verifique o ajuste el huelgo de la válvula.
 - Esta tarea debe ser realizada en interiores, en un área limpia y libre de polvo.
1. Quite los dos (2) tornillos de la manija utilizando un destornillador de hoja plana, o un destornillador de cabeza Torx del número T-20, mientras sujeta las tuercas con una llave para tuercas de 3/8" (Fig. 28).
 2. Saque el perno superior situado cerca de la manija de la cuerda del arrancador con las herramientas mencionadas en el paso 1 (Fig. 28).
 3. Desconecte el cable de la bujía de encendido.
 4. Limpie la suciedad de alrededor de la bujía de encendido. Saque la bujía de encendido de la cabeza del cilindro girando un casquillo de 16mm (5/8 pulgadas) en sentido antihorario.
 5. Limpie la suciedad de alrededor de la cubierta del brazo oscilante. Saque el tornillo que sostiene la cubierta del brazo oscilante con un destornillador grande de vástago plano o con una broca Torx T-25 (Fig. 29). Saque la cubierta y la junta del brazo oscilante.
 6. Gire el volante lentamente para llevar el pistón a la parte superior de su recorrido (conocido como punto muerto superior). Verifique que:
 - El pistón se encuentre en la parte superior de su recorrido mientras mira dentro del orificio de la bujía de encendido (Fig. 30).
 - Ambos brazos oscilantes se mueven con libertad, y ambas válvulas están cerradas.

De no ser así, repita este paso.

7. Deslice la galga entre el brazo oscilante y el resorte de retorno de la

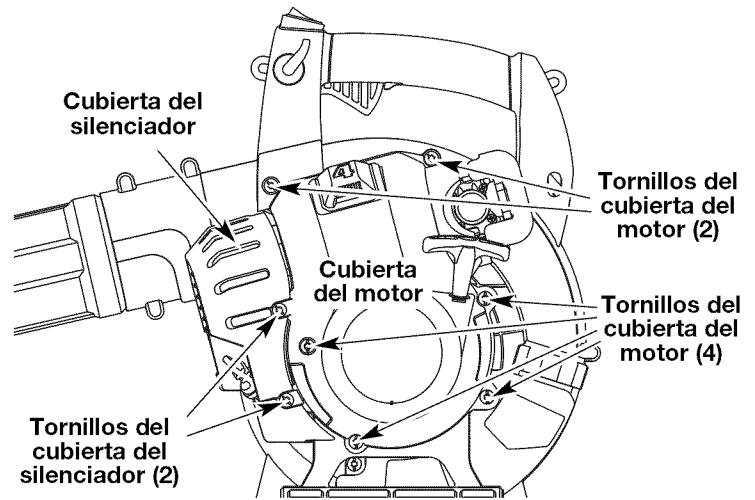


Fig. 28

válvula. Mida el huelgo entre el vástago de la válvula y el brazo oscilante (Fig. 30 y 31). Realice esto en las válvulas de entrada y de escape.

El huelgo recomendado para las válvulas de entrada y de escape es 0,076 – 0,152 mm (0,003 – 0,006 pulgadas). Use un calibrador regular de automóvil de 0,127 mm (0,005 pulgadas). El calibrador debe deslizarse entre el balancín y el vástago de la válvula con una ligera cantidad de resistencia, sin doblarse (Fig. 30 y 31).

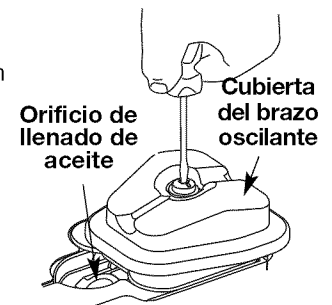


Fig. 29

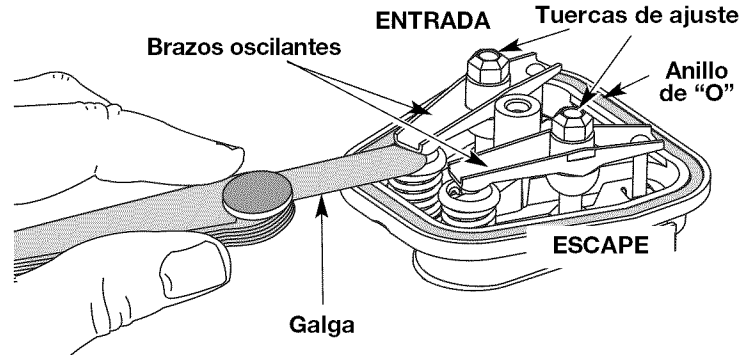


Fig. 30

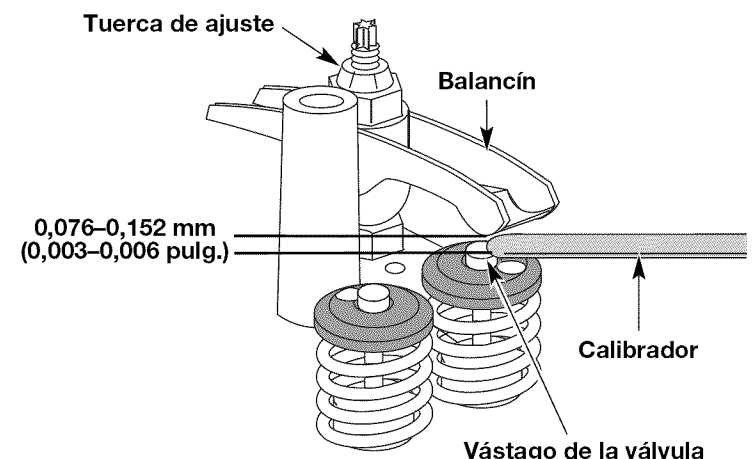


Fig. 31

8. Si el huelgo no se encuentra dentro de las especificaciones:
 - a. Gire la tuerca de ajuste con una llave de 8 mm (5/16 pulgadas) o una guía de tuercas (Fig. 31).
 - Para incrementar el huelgo, gire la tuerca de ajuste en sentido antihorario.
 - Para reducir el huelgo, gire la tuerca de ajuste en sentido horario.
 - b. Vuelva a inspeccionar ambos huelgos, y ajuste si es necesario.
9. Vuelva a instalar la cubierta del brazo oscilante utilizando una nueva junta. Ajuste el tornillo a 2,2-3,4 N•m (20-30 pulgadas•libra).
10. Inspeccione la bujía de encendido y vuelva a instalar. Lea Cambio de la Bujía de encendido.
11. Vuelva a instalar el cable de la bujía.
12. Vuelva a instalar la cubierta del motor. Verifique la alineación de la cubierta antes de ajustar los tornillos. Ajuste los tornillos.

CAMBIO DE LA BUJÍA DE ENCENDIDO



PRECAUCIÓN: No limpie con chorro de arena, ni raspe ni limpie los electrodos. El motor podría dañarse si penetran pequeñas partículas en el cilindro.

Use una bujía de encendido **753-05784** o Champion **#RDZ4H**. La separación correcta es de 0,635 mm (0,025 pulgadas). Retire la bujía luego de cada 40 horas de operación e inspeccione su estado.

1. Apague el motor y espere que se enfríe.
2. Inserte un destornillador de hoja plana debajo de la cubierta de la bujía y quítela haciendo palanca (Fig. 32).

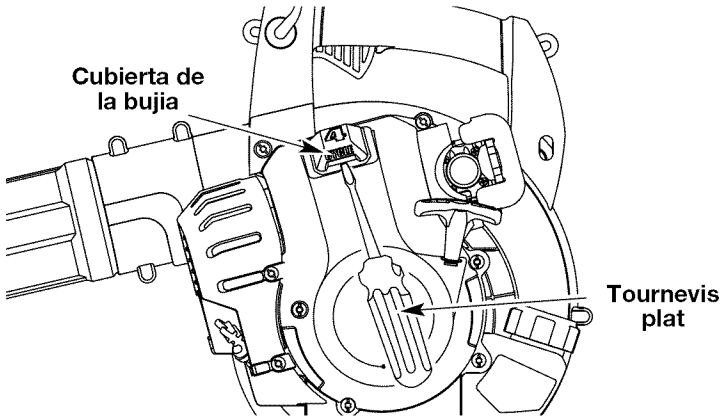


Fig. 32

3. Tome el alambre de la bujía con firmeza y sáquelo de la bujía de encendido.
4. Limpie alrededor de la bujía de encendido. Saque la bujía de encendido de la cabeza del cilindro girando una llave de casquillo de 16 mm (5/8 de pulgada) en sentido antihorario.
5. Cambie las bujías que estén rajadas, sucias o deterioradas. Fije la separación de aire a 0,635 mm (0,025 pulgadas) utilizando un calibrador (Fig. 33).
6. Instale una bujía de encendido con la separación correcta en la cabeza del cilindro. Ajuste girando la llave de casquillo 16 mm (5/8 de pulgada) en sentido horario hasta que esté ajustada sin huelgo.
7. Vuelva a instalar la cubierta de la bujía.

Si usa una llave de torsión, ajuste a: **110-120 pulg.•libras (12.3-13.5 N•m)**
No ajuste demasiado.

MANTENIMIENTO DEL AMORTIGUADOR DE CHISPAS



ADVERTENCIA: Para evitar graves lesiones personales, apague siempre su unidad y espere que se enfríe antes de limpiarlo o realizar cualquier tipo de mantenimiento.

1. Saque la cubierta del silenciador. Lea Huelgo del brazo oscilante.
2. Con un 3/8 pulg. llave hexagonal o un pedacito Torx T-25 y un 1/4 pulg. llave hexagonal, quite los tornillos que unen el desviador de los pararrayos de la chispa al silenciador (Fig. 34).

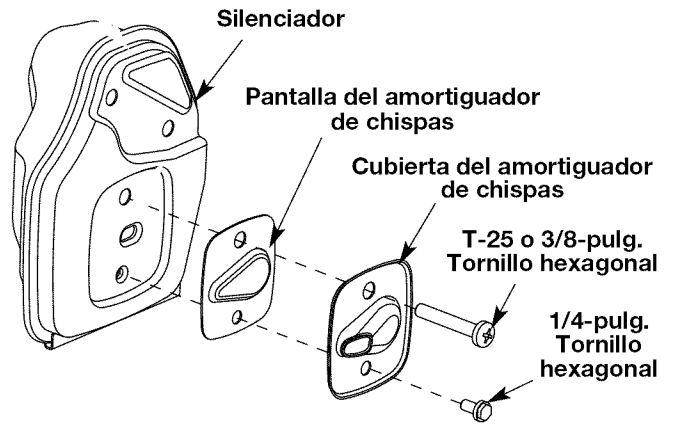


Fig. 34

3. Saque el desviador de los pararrayos de la chispa el silenciador. Quite la cubierta del amortiguador de chispas.
4. Saque la pantalla del amortiguador de chispas de la cubierta del amortiguador de chispas.
5. Limpie la pantalla del amortiguador de chispas con un cepillo de alambre, o cámbiela.
6. Vuelva a instalar la pantalla del amortiguador de chispas, la cubierta del amortiguador de chispas y el tornillo.
7. Vuelva a instalar la cubierta del silenciador.

LIMPIEZA



ADVERTENCIA: Para evitar graves lesiones personales, apague siempre su recortador y espere que se enfríe antes de limpiarlo o realizar cualquier tipo de mantenimiento.

Use un cepillo pequeño para limpiar la parte exterior de la unidad. No use detergentes fuertes. Los limpiadores domésticos que contienen aceites aromáticos como pino y limón, y con solventes como el queroseno pueden dañar el bastidor de plástico y la manija. Seque toda la humedad con un paño suave.

ALMACENAMIENTO

- No guarde nunca la unidad con combustible en el tanque donde los vapores puedan llegar a una llama o chispa.
- Espere que el motor se enfríe antes de guardar la unidad.
- Guarde la unidad bajo llave para prevenir el uso por personas no autorizadas y su daño.
- Guarde la unidad en un área seca y bien ventilada.
- Guarde la unidad fuera del alcance de los niños.

ALMACENAMIENTO POR LARGOS PERIODOS DE TIEMPO

Si debe guardar la unidad durante un largo período de tiempo:

1. Drene toda la gasolina del tanque en un recipiente. No use gasolina que haya estado guardada durante más de 60 días. Elimine la gasolina vieja de acuerdo con las normas federales, estatales y locales.
2. Arranque el motor y déjelo funcionar hasta que se ahogue. Esto asegura que toda la gasolina se haya drenado del carburador.
3. Deje enfriar el motor. Saque la bujía de encendido y coloque 5 gotas de aceite de motor de buena calidad en el cilindro. Tire de la cuerda de arranque lentamente para distribuir el aceite. Vuelva a instalar la bujía de encendido.

NOTA: Retire la bujía y escurra todo el aceite del cilindro antes de tratar de arrancar el soplador después de haberlo tenido guardado.

4. Cambie el aceite. Lea Cambio del Aceite. Elimine el aceite viejo de acuerdo con las normas federales, estatales y locales.
5. Limpie bien la unidad y verifique que no existan partes flojas ni dañadas. Repare o cambie las partes dañadas y ajuste los tornillos, las tuercas o los pernos que estén flojos. La unidad está lista para ser guardada.

TRANSPORTE

- Deje enfriar el motor antes de transportar la unidad.
- Asegure la unidad durante su transporte.
- Drene el tanque de gasolina antes de transportar la unidad.
- Ajuste la tapa de la gasolina antes de transportar la unidad.

RESOLUCIÓN DE PROBLEMAS

EL MOTOR NO ARRANCA

CAUSA

El tanque de gasolina está vacío
La bombilla de cebado no fue oprimida lo suficiente
La gasolina es viejo
La bujía de encendido está arruinada
Parachispas obstruido

ACCIÓN

Llene el tanque con gasolina nueva
Oprima la bombilla de cebado total y lentamente de 10 veces
Drene el tanque de gasolina / Agregue gasolina nueva
Cambie o limpie la bujía de encendido
Limpie o cambie el parachispas

EL MOTOR NO FUNCIONA EN MINIMA

CAUSA

El filtro de aire está obstruido
La gasolina es viejo

ACCIÓN

Cambie o limpie el filtro de aire
Drene el tanque de gasolina / Agregue gasolina nueva

EL MOTOR NO ACELERA

CAUSA

La gasolina es viejo
El accesorio de corte está atascado de hierba
El filtro de aire está sucio
Parachispas obstruido

ACCIÓN

Drene el tanque de gasolina / Agregue gasolina nueva
Pare el motor y limpie el accesorio de corte
Limpie o cambie el filtro de aire
Limpie o cambie el parachispas

EL MOTOR CARECE DE POTENCIA O SE AHOGA

CAUSA

La gasolina viejo
Bujía en mal estado
Parachispas obstruido

ACCIÓN

Drenar el tanque de gasolina y añadir gasolina nueva
Reemplazar la bujía
Limpiar o reemplazar el parachispas

NOTA: Para reparaciones más allá de los pequeños ajustes recién mencionados, comuníquese con su centro de Piezas y Reparaciones de Sears más cercano (**1-800-4-MY-HOME**[®]) u otra agencia de servicio calificada.

ESPECIFICACIONES

MOTOR*

Tipo de motor	Enfriado por aire, 4 ciclos
Desplazamiento	25 cc (1.5 pulgadas cúbicas)
R.P.M. de soplador.....	7.000 r.p.m.
R.P.M. de velocidad mínima.....	3.200 – 4.400 r.p.m.
Tipo de encendido	Electrónico - MAX FIRE IGNITION™
Interruptor de encendido.....	Interruptor oscilante
Huelgo de la válvula	0,076–0,152 mm (0,003–0,006 pulg)
Separación de la bujía de encendido	0,635 mm (0,025 pulg)
Lubricación	Aceite SAE 30
Capacidad de aceite del cárter del cigüeñal	60 ml (2,03 onzas)
Combustible	Sin plomo
Carburador	Diafragma, multiposicional
Arranque	Incredi-Pull™ bobinado automático
Silenciador	Amortiguado con protección
Regulador.....	Retorno manual del resorte
Capacidad del tanque de combustible	414 ml (14 onzas)
Peso de la unidad (Sin combustible)	5 kg (11 libras)

* Toda las especificaciones contenidas en este manual se basan en la información más reciente disponible en el momento de impresión del manual. Nos reservamos el derecho de hacer cambios en cualquier momento sin aviso previo.

DECLARACIÓN DE GARANTÍA DE CONTROL DE EMISIONES EVAPORATIVAS DE LA EPA PARA CALIFORNIA

Los Derechos y Obligaciones de Usted según la Garantía

El Consejo de Recursos del Aire (Air Resources Board) de California, la Agencia de Protección del Medio Ambiente (EPA) y Sears Brands LLC (Sears) tienen el placer de explicar la garantía del sistema de control de emisiones en su motor "off-road" pequeño modelo del año 2008 y posterior. En California y los 49 estados, los nuevos motores "off-road" pequeños deben ser diseñados, construidos y equipados para que cumplan con las exigentes normas del Estado contra el "smog". Sears debe garantizar el sistema de control de emisiones en el motor "off-road" pequeño de usted para los períodos de tiempo que se indican a continuación siempre y cuando no haya habido maltrato, negligencia o mantenimiento inadecuado de su motor "off-road" pequeño. El sistema de usted de control de emisiones pudiera incluir piezas tales como el carburador o sistema de inyección de combustible, el sistema de encendido y el convertidor catalítico. También pudiera incluir mangueras, correas, conectores y otros conjuntos relacionados con las emisiones. Cuando exista una condición que esté dentro de la garantía, Sears reparará su motor "off-road" pequeño sin costo alguno para usted, incluyendo diagnóstico, piezas y mano de obra. Los motores "off-road" pequeños del 2007 y posteriores están garantizados por dos años. Si alguna pieza de su motor relacionada con emisiones es defectuosa, Sears la reparará o la reemplazará.

Responsabilidades del Propietario según la Garantía

Como propietario del motor "off-road" pequeño, usted es responsable de realizar el mantenimiento requerido que se indica en su manual del operador. Sears recomienda que usted conserve todos los recibos que cubren el mantenimiento de su motor "off-road" pequeño, pero Sears no puede denegar la garantía solamente porque usted no

tenga los recibos ni porque usted no pueda asegurar que se ha realizado todo el mantenimiento programado.

- Sin embargo, como propietario del motor "off-road" pequeño, usted deberá estar consciente de que Sears pudiera denegar cobertura de la garantía si su motor "off-road" pequeño o una pieza del mismo ha presentado fallas debido a maltrato, negligencia, mantenimiento inadecuado o modificaciones no aprobadas.
- Usted es responsable de presentar su motor "off-road" pequeño a un Centro de Servicio Autorizado por Sears tan pronto se detecte el problema. Las reparaciones en garantía deberán terminarse en un período de tiempo razonable, no mayor de 30 días.

Si tiene alguna pregunta en relación con sus derechos y responsabilidades de acuerdo con su garantía, deberá llamar al **1-800-4-MY-HOME®**.

Cobertura de la Garantía del Fabricante

- El período de garantía comienza en la fecha en que se entrega el motor o el equipo al comprador del minorista.
- El fabricante garantiza al propietario inicial, y a cada comprador subsiguiente, por un período de dos años, que el motor no tiene defectos en los materiales ni la mano de obra que ocasionen la falla de una pieza garantizada.
- La reparación o el reemplazo de una pieza garantizada se realizará sin costo alguno para el propietario en un Centro de Servicio Autorizado por Sears. Para conocer la ubicación más cercana comuníquese con Sears llamando al **1-800-4-MY-HOME®**.
- Cualquier pieza garantizada que no esté programada para reemplazo, según lo exige el mantenimiento, o que esté programada solamente para inspección regular a los efectos de "Reparar o Reemplazar Según sea Necesario" está garantizada por el período de garantía. Cualquier pieza garantizada que esté programada para reemplazo según lo exige el mantenimiento, estará garantizada por el período de tiempo hasta el primer punto de reemplazo programado para esa pieza.
- No se le cobrará al propietario por el trabajo de diagnóstico que lleve a la determinación de que una pieza garantizada está defectuosa, si el trabajo de diagnóstico se lleva a cabo en un Centro de Servicio Autorizado por Sears.
- El fabricante es responsable de los daños a otros componentes del motor causados por la falla de una pieza garantizada que esté todavía en garantía.
- Las fallas ocasionadas debido a maltrato, negligencia o mantenimiento inadecuado no están cubiertas por esta garantía.
- El uso de accesorios o piezas modificadas puede ser motivo para desestimar una reclamación de garantía. El fabricante no es responsable de cubrir fallas de piezas garantizadas causadas por el uso de accesorios o piezas modificadas.
- Para presentar una reclamación, vaya a su Centro de Servicio Sears Autorizado más cercano. Los servicios o reparación por motivo de garantía se realizarán en todos los Centros de Servicio Sears Autorizados.
- Cualquier pieza de reemplazo aprobada por el fabricante se puede usar al realizar cualquier mantenimiento o reparación de piezas bajo garantía relacionadas con emisiones y se proporcionarán sin cargo alguno para el propietario. Cualquier pieza de reemplazo que sea equivalente en rendimiento o durabilidad se puede usar en mantenimiento o reparación sin garantía y no reducirá las obligaciones de garantía del fabricante.

Lista de Piezas de Emisiones en Garantía

Los siguientes componentes se incluyen en la garantía del motor relacionada con emisiones: filtro de aire, carburador, cebador, tuberías de combustible, recuperación de combustible/filtro de combustible, módulo de encendido, bujía y silenciador.

DECLARACIÓN DE GARANTÍA DE CONTROL DE EMISIONES EVAPORATIVAS PARA CALIFORNIA

Los Derechos y Obligaciones de Usted según la Garantía

El Consejo de Recursos del Aire (Air Resources Board) de California y Sears Brands LLC (Sears) tienen el placer de explicar la garantía del sistema de control de emisiones evaporativas en su motor "off-road" pequeño (tipo de equipo) modelo del año 2008 y posterior. En California, los nuevos equipos que usen motores "off-road" pequeños deben ser diseñados, construidos y equipados para que cumplan con las exigentes normas del Estado contra el "smog". Sears debe garantizar el sistema de control de emisiones evaporativas en su motor "off-road" Lawn & Garden (para el césped y el jardín) pequeño para el período que se indica a continuación siempre y cuando no haya habido maltrato, negligencia o mantenimiento inadecuado de su equipo. Su sistema de control de emisiones evaporativas pudiera incluir piezas tales como: carburadores, tanques de combustible, tuberías de combustible, tapas de combustible, válvulas, recipientes, filtros, mangueras de vapor, abrazaderas, conectores y otros componentes relacionados. En el caso de los motores de 80 cc o menos, solamente el tanque de combustible está sujeto a los requisitos de la garantía de control de emisiones evaporativas de esta sección. El desplazamiento de su motor "off-road" pequeño es de menos de 80 cc.

Cobertura de la Garantía del Fabricante

Este sistema de control de emisiones evaporativas está garantizado por dos años. Si cualquier pieza relacionada con las emisiones evaporativas de su equipo es defectuosa, la pieza será reparada o reemplazada por Sears.

Responsabilidades del Propietario según la Garantía

- Como propietario del motor "off-road" Lawn & Garden pequeño, usted es responsable de realizar el mantenimiento requerido que se indica en su manual de propietario. Sears recomienda que usted conserve todos los recibos que cubren el mantenimiento de su Motor Lawn & Garden, pero Sears no puede denegar la garantía solamente porque usted no tenga los recibos.
- Sin embargo, como propietario del motor "off-road" Lawn & Garden pequeño, usted deberá estar consciente de que Sears pudiera denegar cobertura de la garantía si su tanque de combustible ha presentado fallas debido a maltrato, negligencia, mantenimiento inadecuado o modificaciones no aprobadas.
- Usted es responsable de presentar su tanque de combustible Lawn & Garden al centro de distribución o al centro de servicio de Sears tan pronto se detecte el problema. Las reparaciones en garantía deberán terminarse en un período de tiempo razonable, no mayor de 30 días. Si tiene alguna pregunta en relación con la cobertura de su garantía, deberá comunicarse con Sears llamando al **1-800-4-MY-HOME®**.

Requisitos de la Garantía por Defectos

- (a) El período de garantía comienza en la fecha en que se entrega el motor o el equipo a un comprador final.
- (b) Cobertura General de la Garantía de Emisiones Evaporativas. El tanque de combustible debe estar garantizado al comprador final y a cualquier propietario posterior en cuanto a que cuando se instaló el sistema de control de emisiones evaporativas estaba:
 - (1) Diseñado, construido y equipado de forma tal que cumpla con todas las regulaciones aplicables; y
 - (2) Sin defectos en los materiales ni la mano de obra que ocasionen la falla de una pieza garantizada durante un período de dos años.
- (c) La garantía de las piezas relacionadas con las emisiones evaporativas será interpretada como sigue:
 - (1) Cualquier pieza garantizada que no esté programada para reemplazo según requiere el mantenimiento en las instrucciones por escrito, debe estar garantizada por el período de garantía definido en la subsección (b)(2). Si alguna de esas piezas falla durante el período de cobertura de la garantía, debe ser reparada o reemplazada por Sears. Cualquier pieza reparada o reemplazada bajo la garantía debe estar garantizada por un tiempo no menor que el período de garantía restante.
 - (2) Cualquier pieza garantizada que en las instrucciones por escrito esté programada solamente para inspección regular, debe estar garantizada por el período de garantía definido en la subsección (b)(2). Una declaración en dichas instrucciones por escrito al efecto de "reparar o reemplazar según sea necesario" no reducirá el período de cobertura de la garantía. Cualquier pieza reparada o reemplazada bajo la garantía debe estar garantizada por un tiempo no menor que el período de garantía restante.
 - (3) Cualquier pieza garantizada que esté programada para reemplazo, según exige el mantenimiento en las instrucciones por escrito, debe estar garantizada por el período de tiempo anterior al primer punto de reemplazo programado para esa pieza. Si la pieza falla antes del primer reemplazo programado, la pieza debe ser reparada o reemplazada por Sears. Cualquier pieza reparada o reemplazada bajo la garantía debe estar garantizada por un tiempo no menor que lo que resta del período anterior al primer punto de reemplazo programado para esa pieza.
 - (4) La reparación o el reemplazo de cualquier pieza garantizada bajo las disposiciones de garantía de este artículo se debe realizar sin costo alguno para el propietario en una estación donde se hagan trabajos de garantía.
 - (5) Independientemente de las disposiciones de la subsección (4) anterior, los servicios o reparaciones en garantía se deben proporcionar en centros de distribución que estén franquiciados para prestar servicios a los motores o equipos en cuestión.
 - (6) No se debe cobrar al propietario por el trabajo de diagnóstico para determinar que una pieza garantizada está realmente defectuosa, siempre y cuando dicho trabajo de diagnóstico se lleve a cabo en una estación donde se hagan trabajos de garantía.
 - (7) Durante el período de garantía del sistema de control de emisiones evaporativas establecido en la subsección (b)(2), Sears debe mantener un suministro de piezas garantizadas suficiente para satisfacer la demanda esperada de dichas piezas.
 - (8) Al realizar cualquier mantenimiento o reparación en garantía se deben usar piezas de reemplazo aprobadas por el fabricante y se deben proporcionar sin cargo alguno para el propietario. Tal uso no reducirá las obligaciones de garantía del fabricante que emite la garantía.
 - (9) El uso de cualquier accesorio o pieza modificada será motivo para desestimar una reclamación de garantía hecha en conformidad con este artículo. El fabricante que emite la garantía no será responsable, según este Artículo, de garantizar fallas de piezas garantizadas causadas por el uso de un accesorio o una pieza modificada.
 - (10) Sears proporcionará los documentos que describen los procedimientos o normas de la garantía, en un plazo de cinco días hábiles desde que los solicite el Consejo de Recursos del Aire.

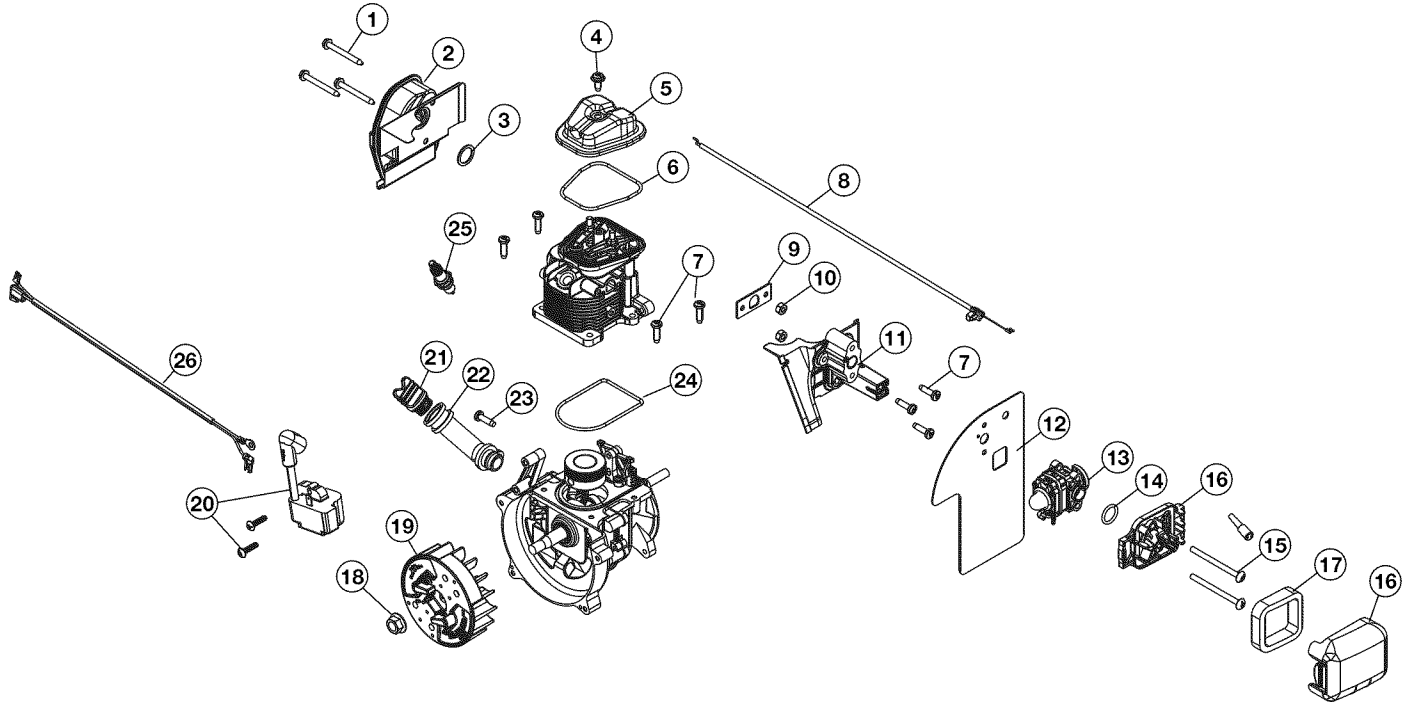
Lista de Piezas de Emisiones en Garantía

- (1) Tanque de Combustible

Con cada motor o equipo nuevo se proporcionarán instrucciones por escrito para el mantenimiento y uso del sistema de control de emisiones evaporativas por parte del propietario.

PARTS LIST

REPLACEMENT PARTS - MODEL 316.794830 4-CYCLE GAS BLOWER

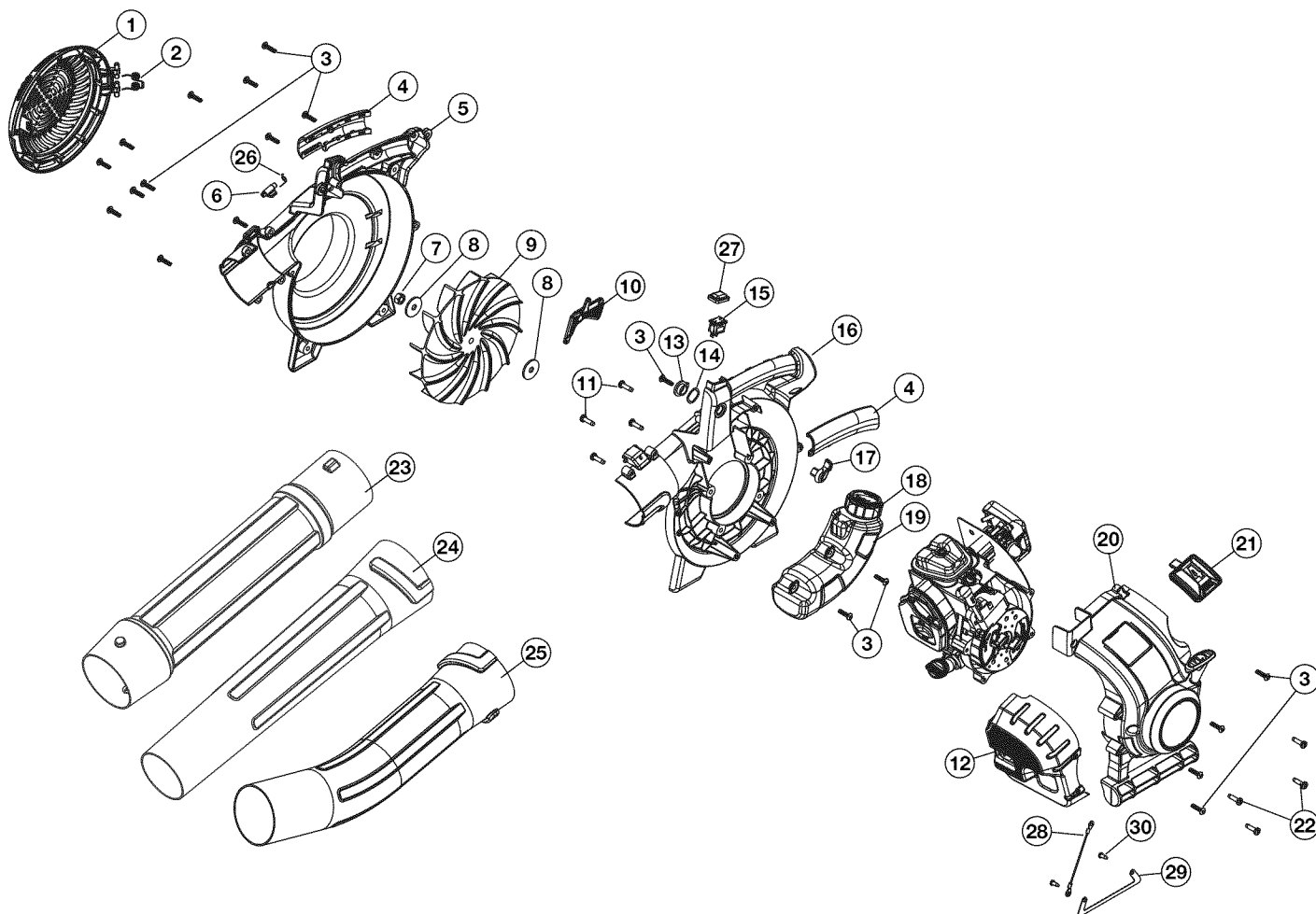


Item	Part No.	Description
1	753-05246	Muffler Screws
2	753-05900	Muffler Assembly (includes 1 & 3)
3	753-05244	Muffler Gasket
4	791-181025	Screw
5	753-05901	Rocker Cover
6	753-05902	O-Ring
7	791-181003	Screw
8	753-05903	Throttle Cable
9	753-05673	Insulator Gasket
10	753-05248	Nut
11	753-05904	Insulator
12	753-05905	Carburetor Gasket
13	753-05908	Carburetor
14	791-181751	Carburetor O-Ring
15	753-05253	Screw

Item	Part No.	Description
16	753-04223	Air Cleaner Assembly (includes 17)
17	791-181757	Air Filter
18	753-05687	Nut
19	753-05906	Flywheel Assembly
20	753-05907	Module
21	753-05400	Oil Plug
22	753-05909	Oil Fill Tube
23	753-05377	Screw
24	753-05910	O-Ring
25	753-05784	Spark Plug
26	753-05911	Lead Wire
*	753-05966	Valve
*	753-05912	Shortblock Assembly (includes 4-7 & 21-25)
*		Items Not Shown

PARTS LIST

REPLACEMENT PARTS - MODEL 316.794830 4-CYCLE GAS BLOWER



<u>Item</u>	<u>Part No.</u>	<u>Description</u>	<u>Item</u>	<u>Part No.</u>	<u>Description</u>
1	753-05917	Intake Cover	14	753-05925	Wavey Washer
2	753-05918	Spring	15	791-182405	Switch
3	753-04595	Screw	16	753-05921	Impeller Housing (includes 4)
4	753-05919	Handle Grips	17	753-05932	Outer Trigger Lock
5	753-05920	Impeller Housing (includes 4)	18	753-05289	Fuel Cap
6	753-05926	Latch Tube	19	753-05933	Fuel Tank Assembly (includes 18)
7	753-05927	Nut	20	753-05934	Engine Cover Assembly (includes 18)
8	753-05928	Washer	21	753-05935	Spark Plug Cover
9	753-05929	Impeller	22	753-05377	Screw
10	753-05930	Throttle Trigger	23	753-05936	Upper Tube
11	791-181003	Screw	24	753-05937	Lower Tube
12	753-05931	Muffer Cover (includes 3)	25	753-05938	Flare Tube
13	753-05924	Inner Trigger Lock	26	753-05939	Latch Spring
			27	753-05942	Switch Cover
			28	753-05964	Wire Ground
			29	753-05965	Strap Ground
			30	753-01202	Screw

Get it fixed, at your home or ours!

Your Home

For expert troubleshooting and home solutions advice:

manage  my home

www.managemyhome.com

For repair – **in your home** – of **all** major brand appliances, lawn and garden equipment, or heating and cooling systems, **no matter who made it, no matter who sold it!**

For the replacement parts, accessories and owner's manuals that you need to do-it-yourself.

For Sears professional installation of home appliances and items like garage door openers and water heaters.

1-800-4-MY-HOME[®] (1-800-469-4663)

Call anytime, day or night (U.S.A. and Canada)

www.sears.com www.sears.ca

Our Home

For repair of carry-in items like vacuums, lawn equipment, and electronics, call anytime for the location of your nearest

Sears Parts & Repair Service Center

1-800-488-1222 (U.S.A.) **1-800-469-4663** (Canada)

www.sears.com

www.sears.ca

To purchase a protection agreement on a product serviced by Sears:

1-800-827-6655 (U.S.A.)

1-800-361-6665 (Canada)

Para pedir servicio de reparación a domicilio, y para ordenar piezas:

1-888-SU-HOGAR[®]

(1-888-784-6427)

Au Canada pour service en français:

1-800-LE-FOYER^{MC}

(1-800-533-6937)

www.sears.ca



© Registered Trademark / TM Trademark / SM Service Mark of Sears Brands, LLC

© Marca Registrada / TM Marca de Fábrica / SM Marca de Servicio de Sears Brands, LLC

^{MC} Marque de commerce / ^{MD} Marque déposée de Sears Brands, LLC

© Sears Brands, LLC

Free Manuals Download Website

<http://myh66.com>

<http://usermanuals.us>

<http://www.somanuals.com>

<http://www.4manuals.cc>

<http://www.manual-lib.com>

<http://www.404manual.com>

<http://www.luxmanual.com>

<http://aubethermostatmanual.com>

Golf course search by state

<http://golfingnear.com>

Email search by domain

<http://emailbydomain.com>

Auto manuals search

<http://auto.somanuals.com>

TV manuals search

<http://tv.somanuals.com>