

# Operator's Manual

# CRAFTSMAN®

55cc 2-Cycle

**GASOLINE CHAIN SAW**

Model No. 316.350850

**INCREDI-PULL™**  
UNBELIEVABLE STARTING EASE™

with **MAXFIRE**  **IGNITION™**



**CAUTION:** Before using this product, read this manual and follow all safety rules and operating instructions.

- SAFETY
- ASSEMBLY
- OPERATION
- MAINTENANCE
- PARTS LIST

Sears, Roebuck and Co., Hoffman Estates, IL 60179, U.S.A.  
Visit our website: [www.sears.com/craftsman](http://www.sears.com/craftsman)

9096-31B206(2) date(08/06)

## TABLE OF CONTENTS

Warranty	Page 2	Maintenance and Repair	Pages 15 - 21
Safety Rules	Pages 3 - 8	Troubleshooting	Page 22
Oil and Fuel Information	Page 9	Specifications	Page 23
Starting/Stopping Instructions	Pages 10-12	Repair Parts	Page 24
Operation	Pages 13 - 14	Spanish	Pages 27 - 52

## WARRANTY STATEMENT

### ONE YEAR LIMITED WARRANTY ON CRAFTSMAN GAS CHAIN SAW

For one year from the date of purchase, when this Chain Saw is used and maintained according to the operator's manual, Sears will repair any defect in material or workmanship free of charge.

This warranty excludes the bar, chain, spark plug and air filter, which are expendable parts that can wear out from normal use in less than one year.

If this Chain Saw is used for commercial or rental purposes, this warranty applies for only 30 days from the date of purchase.

**WARRANTY SERVICE IS AVAILABLE BY RETURNING THIS CHAIN SAW TO THE NEAREST SEARS STORE OR SEARS PARTS & SERVICE CENTER IN THE UNITED STATES.**

This warranty gives you specific legal rights, and you may also have other rights which vary from state to state.

Sears, Roebuck and Co., Dept. 817WA, Hoffman Estates, IL 60179

### CALIFORNIA PROPOSITION 65 WARNING

## WARNING

**THE ENGINE EXHAUST FROM THIS PRODUCT CONTAINS CHEMICALS KNOWN TO THE STATE OF CALIFORNIA TO CAUSE CANCER, BIRTH DEFECTS OR OTHER REPRODUCTIVE HARM.**

### SPARK ARRESTOR NOTE

**NOTE: For users on U.S. Forest Land and in the states of California, Maine, Oregon and Washington.** All U.S. Forest Land and the state of California (Public Resources Codes 4442 and 4443), Oregon and Washington require, by law that certain internal combustion engines operated on forest brush and/or grass-covered areas be equipped with a spark arrestor, maintained in effective working order, or the engine be constructed, equipped and maintained for the prevention of fire. Check with your state or local authorities for regulations pertaining to these requirements. Failure to follow these requirements could subject you to liability or a fine. **This unit is factory equipped with a spark arrestor.** If it requires replacement, ask a Sears or other qualified service dealer to install the **Spark Arrestor Kit.**

# RULES FOR SAFE OPERATION

The purpose of safety symbols is to attract your attention to possible dangers. The safety symbols, and their explanations, deserve your careful attention and understanding. The safety warnings do not by themselves eliminate any danger. The instructions or warnings they give are not substitutes for proper accident prevention measures.

SYMBOL	MEANING
--------	---------



	<p><b>SAFETY ALERT:</b> Indicates danger, warning or caution. Attention is required in order to avoid serious personal injury. May be used in conjunction with other symbols or pictographs.</p>
--	--

**NOTE:** Advises you of information or instructions vital to the operation or maintenance of the equipment.

**Read the Operator's Manual(s) and follow all warnings and safety instructions.**

**Failure to do so can result in serious injury to the operator and/or bystanders.**

SYMBOL	MEANING
--------	---------



	<p><b>DANGER:</b> Failure to obey a safety warning will result in serious injury to yourself or to others. Always follow the safety precautions to reduce the risk of fire, electric shock and personal injury.</p>
--	---



	<p><b>WARNING:</b> Failure to obey a safety warning can result in injury to yourself and others. Always follow the safety precautions to reduce the risk of fire, electric shock and personal injury.</p>
--	---



	<p><b>CAUTION:</b> Failure to obey a safety warning may result in property damage or personal injury to yourself or to others. Always follow the safety precautions to reduce the risk of fire, electric shock and personal injury.</p>
--	---

## • IMPORTANT SAFETY INSTRUCTIONS •

### READ ALL INSTRUCTIONS PLAN AHEAD



	<p><b>WARNING:</b> If correctly used, the chain saw is a quick, easy to handle and efficient tool; if used improperly or without the due precautions it could become a dangerous tool. For pleasant and safe work, always strictly comply with the safety rules that are contained in this manual.</p>
--	--

- Read the instructions carefully. Be familiar with the controls and proper use of the unit.
- Do not operate this unit when tired, ill or under the influence of alcohol, drugs or medication.
- Children must not operate the unit. Teens must be accompanied and guided by an adult.
- Only responsible individuals who are familiar with the instructions may operate the chain saw (no one under the age of 16). Provide parental supervision at all times.
- Secure hair above shoulder length. Do not wear loose clothing or jewelry; they can get caught in moving parts.
- Inspect the unit before use. Replace all damaged parts prior to starting. Make sure the unit is in original operating condition before starting.
- Know the controls and know how to stop the chain saw quickly.

- Carry the chain saw with the engine stopped, the guide bar and saw chain to the rear, and the muffler away from your body.
- When transporting your chain saw, use the appropriate guide-bar scabbard (sheath).
- Wear protective gear. Always use steel-toed safety footwear with non-slip soles; snug-fitting clothing; heavy-duty non-slip gloves; eye protection such as non-fogging, vented goggles or face screen; an approved safety hard hat; and hearing protection. Regular users should have hearing checked regularly as chain saw noise can damage hearing.

### OPERATE YOUR SAW SAFELY

- Do not operate a chain saw that is damaged, not calibrated properly or not fully assembled. Always replace chain, bar, chain brake, and other parts immediately if damage occurs.
- Do not apply excess force to the chain saw at the end of the cut. You may lose control of the unit when the cut has been completed.
- Keep all parts of your body away from the chain when the engine is running.
- Never start or run the unit inside a closed room or building. Operate this unit only in a well ventilated outdoor area.
- Use the unit only in daylight or good artificial light.

# RULES FOR SAFE OPERATION

- Avoid accidental starting. Be in the starting position whenever pulling the starter rope. The operator and unit must be in a stable position while starting. See Starting/Stopping Instructions.
- Before you start the engine, make sure the area around the saw is clear. Never try to start the saw when the guide bar is engaged in a cut.
- Do not start cutting until you have a clear work area, secure footing, and a planned retreat path from the falling tree.
- Do not operate a chain saw that is damaged, improperly adjusted, or not completely and securely assembled. Be sure that the saw's chain stops moving when the throttle control trigger is released.
- Shut off the engine before setting the chain saw down.
- Use extreme caution when cutting small-sized brush and saplings because slender material may catch the chain saw and whip towards you or cause you to lose control.
- When cutting a limb that is under tension, be alert for springback so that you will not be struck when the tension in the wood fibers is released.
- Do not cut through nails, rods in the tree, railroad ties or pallets. Inspect a tree that you are going to cut for foreign objects that could cause injury or damage to your chain saw.
- After striking a foreign object, stop the engine and thoroughly inspect for damage. Repair as necessary.
- Keep the handles dry, clean and free of the oil/fuel mixture.
- We do not recommend using the chain saw in a tree or on a ladder.

## MAINTAIN YOUR SAW IN GOOD WORKING ORDER

- All chain saw service, other than the items listed in this instruction manual maintenance instructions, should be performed by a Sears or other qualified service dealer.
- Make sure all fasteners are in place and secure.
- Unauthorized replacement parts or the removal of safety devices may cause damage to the unit and possible injury to the operator or bystanders. Use only Craftsman accessories and replacement parts as recommended. Never modify your saw.
- When not in use, saw should be stored in a dry, highly secure location away from children.
- When storing saw use a scabbard or carrying case.

## HANDLE FUEL WITH CAUTION

- Do not smoke while handling fuel or while operating the saw.
- Always eliminate all sources of sparks or flame in areas where fuel is mixed or poured.
- Always mix and pour fuel in an outdoor area and use an approved, marked container for all fuels. Always wipe up all fuel spills before starting saw.

- When a chain saw is being used, a fire extinguisher should be available.
- Always move at least 10 feet (3 meters) from fueling site before starting saw.
- When re-fueling, turn the engine off and allow the saw to cool in a non-combustible area, do not place on dry leaves, straw, paper, etc. Slowly remove fuel cap and refuel unit.
- Always store the unit and fuel in a cool, dry, well-ventilated space where fuel vapors cannot reach sparks or open flames from water heaters, electric motors or switches, furnaces, etc.
- All chain saw service, other than the items listed in this instruction manual maintenance instructions, should be performed by a Sears or other qualified service dealer.
- Use the right tool. Only use this chain saw for its intended purpose, to cut wood.
- Never touch the chain or attempt to service the saw while the engine is running. Make sure all moving parts have stopped. Allow the chain saw to cool, as the chain can be hot.
- Check the bar and chain at frequent intervals for proper adjustment. Make sure the bar and chain are properly tightened and sharpened. Visually inspect for damage. Repair any damage before restarting or operating the chain saw.



**WARNING:** KICKBACK may occur when the nose or tip of the guide bar touches an object, or when the wood closes in and pinches the saw chain in the cut. Tip contact in some cases may cause a lightning-fast reverse reaction, kicking the guide bar up and back towards the operator. Pinching the saw chain along the top of the guide bar may push the guide bar rapidly back toward the operator. Either of these reactions may cause you to lose control of the saw, which could result in serious personal injury. Do not rely exclusively upon the safety devices built into your saw. As a chain saw user, you should take several steps to keep your cutting jobs free from accident or injury.

## KICKBACK SAFETY PRECAUTIONS

- With a basic understanding of kickback, you can reduce or eliminate the element of surprise. Sudden surprise contributes to accidents. Be alert to the potential for kickback at all times.
- Keep a good firm grip on the saw with both hands, the right hand on the rear handle and the left hand on the front handle, when the engine is running. Use a firm grip with thumbs and fingers encircling the chain saw handles. A firm grip will help you reduce kickback and maintain control of the saw. Don't let go.

# RULES FOR SAFE OPERATION

- Make sure that the area in which you are cutting is free from obstructions. Do not let the nose of the guide bar contact a log, branch, fence, or any other obstruction that could be hit while you are operating the saw.
- Always cut with the engine running at full speed. Fully squeeze the throttle trigger and maintain a steady cutting speed.
- Use only the correct original equipment manufacturer replacement bars, chains and other parts and accessories. These are available from a Sears or other qualified service dealer. Use of any unauthorized parts or accessories could lead to serious injury to the user, or damage to the unit, and will void your warranty.
- Follow the manufacturer's sharpening and maintenance instructions for the saw chain.
- Use only the replacement guide bars and low kickback chains specified for your saw to avoid injury.
- Watch for shifting logs or other forces that could pinch or fall into chain.
- Always have saw at full speed when entering a previous cut. Always use caution when entering a previous cut.
- Do not start a cut using the tip of the saw.

## OTHER SAFETY PRECAUTIONS

- Do not operate a chain saw with one hand! Serious injury to the operator, helpers, bystanders, or any combination of these persons may result from one-handed operation. A chain saw is intended for two-handed use.
- Do not operate a chain saw if you are fatigued.
- Use safety footwear; snug-fitting clothing; protective gloves; and eye, hearing, and head protection devices.
- Do not allow other persons to be near the chain saw when starting or cutting with the chain saw. Keep bystanders and animals out of the work area.
- Do not remove, damage or de-activate any of the safety devices. Never use a damaged, modified, or improperly repaired or assembled chain saw. Check their proper operation regularly. Only use bars and chains of the length indicated in the table herein.
- Never carry out operations or repairs on your own that are other than routine maintenance as listed in this manual.
- Use caution when felling a tree. Make sure you have planned an escape path when felling, and keep all bystanders away.
- Be alert; stop the machine if anyone enters the cutting area, which is usually 3 to 4 feet around the operator.
- Use caution when working in a crew to avoid injury to a fellow worker who may enter the cutting area.
- Only loan your saw to experienced users who are completely familiar with saw operation and correct use. Give other users this manual, which they should read before

using the saw.

- Shut off the engine before setting down the saw. Do not leave the engine running unattended.
- Never store the unit, with fuel in the tank, inside a building where fumes may reach an open flame or spark.
- Allow the engine to cool before storing or transporting the chain saw over long distances. For example, let the engine cool before placing the chain saw in an automobile. Also, be sure to secure the unit while transporting.
- Store the unit in a dry area, locked up, located up high and located out of the reach of children to prevent unauthorized use or damage.
- Never douse or squirt the unit with water or any other liquid. Keep handles dry, clean and free from debris. Clean after each use.
- Keep these instructions. Refer to them often and use them to instruct other users. If you loan someone this unit, also loan them the instructions.
- Do not use the unit in the rain, in a storm or in inclement weather.

## FUEL SAFETY

- Store fuel only in containers specifically designed and approved for the storage of such materials.
- Always stop the engine and allow it to cool before filling the fuel tank. Never remove the cap of the fuel tank, or add fuel, when the engine is hot. Never operate the unit without the fuel cap securely in place. Loosen the fuel tank cap slowly to relieve any pressure in the tank.
- Add fuel in a clean, well-ventilated outdoor area where there are no sparks or flames. Slowly remove the fuel cap only after stopping engine. Do not smoke while fueling or mixing fuel. Wipe up any spilled fuel from the unit immediately.

	<b>WARNING:</b> Gasoline is highly flammable, and its vapors can explode if ignited. Take the following precautions:
---	--

- Avoid creating a source of ignition for spilled fuel. Do not start the engine until fuel vapors dissipate.
- Move the unit at least 30 feet (9.1 m) from the fueling source and site before starting the engine. Do not smoke. Keep sparks and open flames away from the area while adding fuel or operating the unit.

## SAVE THESE INSTRUCTIONS



# RULES FOR SAFE OPERATION

## SAFETY AND INTERNATIONAL SYMBOLS

This operator's manual describes safety and international symbols and pictographs that may appear on this product. Read the operator's manual for complete safety, assembly, operating and maintenance and repair information.

### SYMBOL

### MEANING



- **SAFETY ALERT SYMBOL**  
Indicates danger, warning, or caution. May be used in conjunction with other symbols or pictographs.



- **READ OPERATOR'S MANUAL**  
**WARNING:** Read the Operator's Manual(s) and follow all warnings and safety instructions. Failure to do so can result in serious injury to the operator and/or bystanders.



- **WEAR EYE, HEARING AND HARDHAT PROTECTION**  
**WARNING:** Thrown objects and loud noise can cause severe eye injury and hearing loss. Wear eye protection meeting ANSI Z87.1-1989 standards and ear protection when operating this unit. Wear a hard hat. Use a full face shield when needed.



- **UNLEADED FUEL**  
Always use clean, fresh unleaded fuel.



- **OIL**  
Refer to operator's manual for the proper type of oil.

### SYMBOL

### MEANING



- **ON/OFF CONTROL**  
ON / START / RUN



- **ON/OFF CONTROL**  
OFF OR STOP



- **GUIDE BAR**  
**WARNING:** Contact of the guide bar tip with any object should be avoided. Tip contact may cause the guide bar to move suddenly upward and backward, which may cause serious injury.



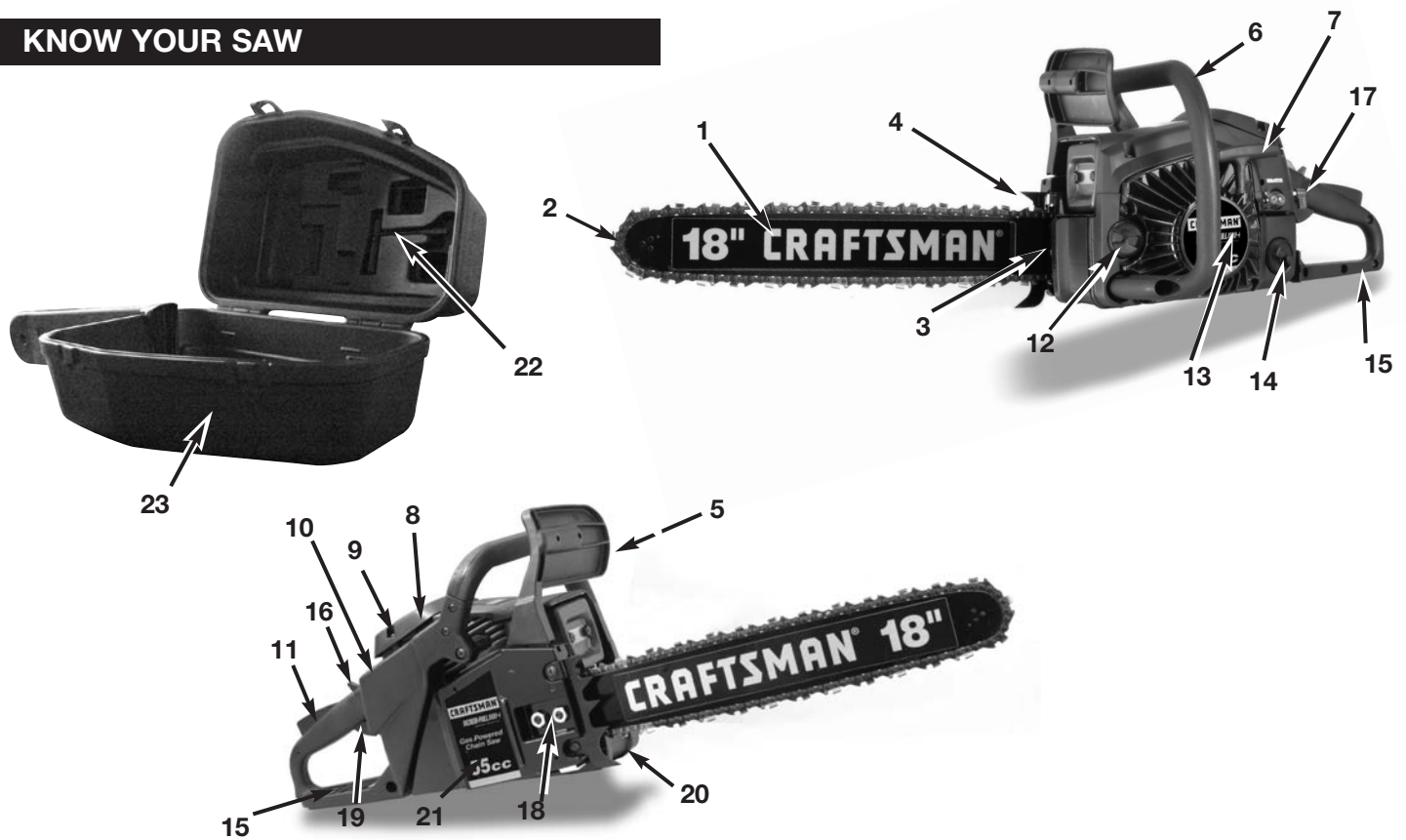
- **USE BOTH HANDS**  
Always use both hands while operating the chain saw. Never use only one hand to operate the saw.



- **RED CHOKE LEVER POSITIONS**  
1 **FULL** Choke Position  
2 **PARTIAL** Choke Position  
3 **RUN** Position

# RULES FOR SAFE OPERATION

## KNOW YOUR SAW



### CHAIN SAW COMPONENTS

1. GUIDE BAR
2. SAW CHAIN
3. SAW CHAIN ADJUSTMENT SCREW
4. SPARK ARRESTER SCREEN
5. CHAIN BRAKE® LEVER /HAND GUARD
6. FRONT HANDLE
7. STARTER HANDLE
8. SPARK PLUG
9. AIR CLEANER COVER
10. STOP SWITCH
11. SAFETY TRIGGER
12. BAR OIL RESEVOIR CAP
13. STARTER COVER
14. FUEL TANK CAP
15. REAR HANDLE / BOOT LOOP
16. THROTTLE LATCH
17. RED CHOKE LEVER
18. BAR RETAINING NUTS
19. THROTTLE / TRIGGER
20. CHAIN CATCHER
21. CHAIN BRAKE® COVER
22. MULTI-PURPOSE TOOL
23. CARRY CASE

### SAFETY FEATURES

2. LOW KICKBACK SAW CHAIN helps significantly reduce kickback, or the intensity of kickback, due to specially designed depth gauges and guard links.
3. CHAIN SAW ADJUSTMENT SCREW It is normal for a new chain saw chain to stretch after the first 30 minutes of use. Check the tension of the chain regularly to ensure the best performance, see SAW CHAIN ADJUSTMENT under MAINTENANCE AND REPAIR INSTRUCTIONS.
5. CHAIN BRAKE® LEVER / HAND GUARD protects the operator's left hand in the event it slips off the front handle while saw is running.  
CHAIN BRAKE® is a safety feature designed to reduce the possibility of injury due to kickback by stopping a moving saw chain in milliseconds. It is activated by the CHAIN BRAKE® lever
10. STOP SWITCH immediately stops the engine when pushed up. Stop switch must be pushed down to start or restart engine.
11. SAFETY TRIGGER prevents accidental acceleration of the engine. Throttle trigger (19) cannot be squeezed unless the safety trigger is depressed.
17. RED CHOKE LEVER aids in starting the engine.
19. THROTTLE TRIGGER controls engine speed.
20. CHAIN CATCHER reduces the danger of injury in the event saw chain breaks or derails during operation. The chain catcher is designed to intercept a whipping chain.

# RULES FOR SAFE OPERATION

## KICKBACK SPECIFICS



**WARNING:** Kickback can lead to dangerous loss of control of the chain saw and result in serious or fatal injury to the saw operator or to anyone standing close by. Always be alert. Rotational kickback and pinch-kickback are major chain saw operational dangers and the leading cause of most accidents.

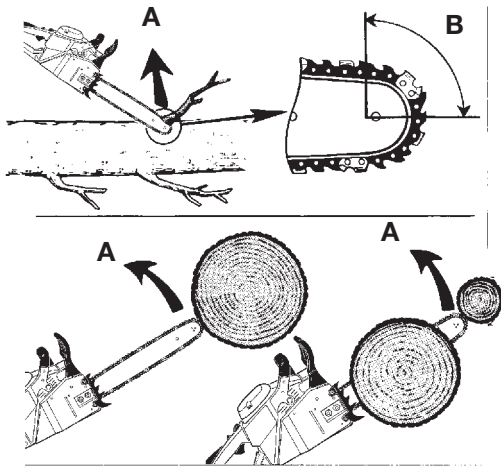
KICKBACK may occur when the NOSE or TIP of the guide bar touches an object, or when wood closes in and pinches the saw chain in the cut.

Tip contact in some cases may cause a lightning-fast reverse reaction, kicking the guide bar up and back toward the operator.

Any of these reactions may cause you to lose control of the saw, which could result in serious personal injury.

### Rotational Kickback

Rotational Kickback can occur when the moving chain contacts an object at the upper tip of the guide bar. This contact can cause the chain to dig into the object, which stops the chain for an instant. The result is a lightning fast, reverse reaction which kicks the guide bar up and back toward the operator.



A = Kickback path  
B = Kickback reaction zone

Fig. 1

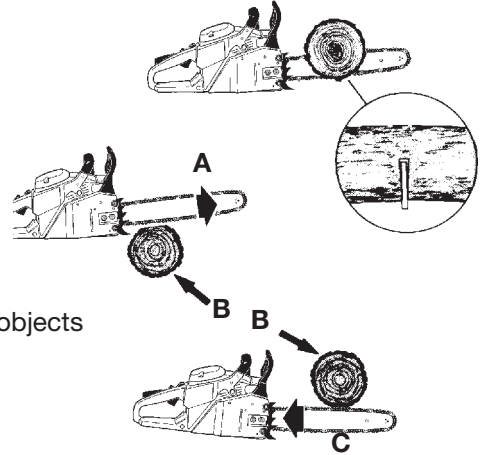
## KICKBACK SPECIFICS

### Pinch Kickback

Pinch kickback can occur when the saw chain is pinched along the bottom or top of the guide bar.

When pinched on the bottom of the guide bar, it may pull the saw forward, away from the operator

When pinched along the top of the guide bar, it may push the guide bar rapidly back toward the operator.



A = Pull  
B = Solid objects  
C = Push

Fig. 2



# OIL AND FUEL INFORMATION

## OIL AND FUEL MIXING INSTRUCTIONS

Old and/or improperly mixed fuel are the main reasons for the unit not running properly. Be sure to use fresh (less than 60 days old) clean unleaded fuel. Follow the instructions carefully for the proper fuel/oil mixture.

### Definition of Blended Fuels

Today's fuels are often a blend of gasoline and oxygenates such as ethanol, methanol, or MTBE (ether). Alcohol-blended fuel absorbs water. As little as 1% water in the fuel can make fuel and oil separate and lead to formation of acids during storage. When using alcohol-blended fuel, use fresh fuel.

### Using Blended Fuels


If you choose to use a blended fuel, or its use is unavoidable, follow recommended precautions:

- Always use the fresh fuel mix explained in your operator's manual
- Always shake the fuel mix before fueling the unit
- Drain the tank and run the engine dry before storing the unit

### Using Fuel Additives

The bottle of 2-cycle oil that came with your unit contains a fuel additive which will help inhibit corrosion and minimize the formation of gum deposits. It is recommended that you use our 2-cycle oil with this unit.



If unavailable, use a good 2-cycle oil designed for air-cooled engines along with a fuel additive, such as STA-BIL® Gas Stabilizer or an equivalent. Add 0.8 oz. (23 ml.) of fuel additive per gallon of fuel according to the instructions on the container. NEVER add fuel additives directly to the unit's fuel tank.

	<b>CAUTION:</b> For proper engine operation and maximum reliability, pay strict attention to the oil and fuel mixing instructions on the 2-cycle oil container. Using improperly mixed fuel can severely damage the engine.
---	---

### To Obtain Correct Fuel Mix:

Thoroughly mix the proper ratio of 2-cycle engine oil with unleaded gasoline in a separate fuel can. Use a 40:1 fuel/oil ratio. Do not mix them directly in the engine fuel tank. See the table below for specific gas and oil mixing ratios.


**NOTE:** One gallon (3.8 liters) of unleaded gasoline mixed with one 3.2 oz. (95 ml.) bottle of 2-cycle oil makes a 40:1 fuel/oil ratio.

	+	
<b>UNLEADED GAS</b>		<b>2 CYCLE OIL</b>
<b>1 GALLON US (3.8 LITERS)</b>		<b>3.2 FL. OZ. (95 ml)</b>
<b>1 LITER</b>		<b>25 ml</b>

**MIXING RATIO - 40:1**

	<b>WARNING:</b> Gasoline is extremely flammable. Ignited vapors may explode. Always stop the engine and allow it to cool before filling the fuel tank. Do not smoke while filling the tank. Keep sparks and open flames at a distance from the area.
---	--

	<b>WARNING:</b> Remove fuel cap slowly to avoid injury from fuel spray. Never operate the unit without the fuel cap securely in place.
---	--

	<b>WARNING:</b> Add fuel in a clean, well ventilated outdoor area. Wipe up any spilled fuel immediately. Avoid creating a source of ignition for spilled fuel. Do not start the engine until fuel vapors dissipate.
---	---

**NOTE:** Dispose of the old fuel/oil mix in accordance to Federal, State and Local regulations.

# STARTING/STOPPING INSTRUCTIONS



**WARNING:** Operate this unit only in a well-ventilated outdoor area. Carbon monoxide exhaust fumes can be lethal in a confined area.



**WARNING:** Never operate the saw without the bar and chain properly installed.

## BEFORE STARTING ENGINE

**WARNING:** Be sure to read the *Oil and Fuel Information Section* of this manual before you begin. If you do not understand the oil and fuel information, do not attempt to fuel your unit. For more information contact your local Sears service center at 1-800-4-MY-HOME®.

## GUIDE BAR AND CHAIN OIL

The bar and chain require lubrication. The chain oiler provides continuous lubrication to the chain and guide bar. Be sure to fill the bar oil tank when you fill the fuel tank. (Capacity = 6.8 fl. oz.). Lack of oil will quickly ruin the bar and chain. Too little oil will cause overheating with smoke coming from the chain and discoloration of the bar. For maximum guide bar and chain life, we recommend you use Craftsman chain saw bar oil. If Craftsman bar oil is not available, you may use a good grade SAE 30 oil until you are able to obtain the Craftsman brand. The oil output is automatically metered during operation. Your saw will use approximately one tank of bar oil for every tank of fuel mix. Always fill the bar oil tank when you fill the fuel tank.

## FUELING THE ENGINE

**WARNING:** Remove fuel cap slowly when refueling.

This engine is certified to operate on unleaded gasoline. Before operation, gasoline must be mixed with a good quality synthetic 2-cycle air-cooled engine oil. We recommend Craftsman brand synthetic oil. Mix gasoline and oil at a ratio of 40:1. 40:1 ratio is obtained by mixing 3.2 ounces of oil with 1 gallon of unleaded gasoline. Included with this saw is a 3.2 ounce container of oil. Pour the entire contents of this container into one gallon of gasoline to achieve the proper fuel mixture. DO NOT use automotive oil or boat oil. These oils will cause engine damage. When mixing fuel, follow the instructions printed on the oil container. Once oil is added to the gasoline, shake container momentarily to assure that the fuel is thoroughly mixed. Always read and follow the safety rules relating to fuel before fueling your unit.

## IMPORTANT:

Experience indicates that alcohol blended with fuels (called gasohol or using ethanol or methanol) can attract moisture which leads to separation and formation of acids during storage. Acidic gas can damage the fuel system of an engine when in storage. To avoid engine problems, the fuel system should be emptied before storage for 30 days or longer. Drain the gas tank, start the engine and let it run until fuel lines and carburetor are empty. Use fresh fuel next season. Never use engine or carburetor cleaner products in the fuel tank or permanent damage can occur. See STORAGE instructions for additional information.

## CHAIN BRAKE

Be sure the chain brake is disengaged by pulling the front hand guard back toward the front handle as far as possible. The chain brake must be disengaged before cutting with the saw.

**WARNING:** The chain brake must not move when the engine runs at idle speed. If the chain brake moves at idle speed, refer to CARBURETOR ADJUSTMENT in this manual. Avoid contact with the muffler. A hot muffler can cause serious burns.

## IMPORTANT POINTS TO REMEMBER

When pulling the starter rope, do not use the full extent of the rope as this can cause the rope to break. Do not let starter rope snap back. Hold the handle and let the rope rewind slowly. For cold weather starting, start the unit at FULL CHOKE; allow the engine to warm up before squeezing the throttle trigger.

**DO NOT** attempt to cut material with the choke/fast idle lever in the FULL CHOKE position.

# STARTING/STOPPING INSTRUCTIONS

## STOPPING INSTRUCTIONS

1. Release the trigger and allow the engine to return to the idle speed.
2. Move the STOP switch up to the STOP position (Fig. 4).

**NOTE:** For emergency stopping, push the lever of the chain brake lever/hand guard (C) forward and move the STOP switch up (Fig. 3, 4).

## STARTING A COLD ENGINE

To be sure to add the correctly mixed fuel to the fuel tank (A) and to add bar and chain oil to the oil tank (B). Make sure the chain brake is disengaged (C) before starting the unit.

1. Slide the STOP switch down (Fig. 4). The **red choke lever** (H) has 3 positions: Positions 1, 2 and 3 (Fig. 6).
2. Fully press and release the primer bulb (G) 10 times, slowly. Some amount of fuel should be visible in the primer bulb (Fig. 5). If you can't see fuel in the bulb, press and release the bulb as many times as it takes before you can see fuel in it.

3. Move the **red choke lever** (H) to Position 1 (Fig. 6).

**NOTE:** This unit will not run with the lever in Position 1.

4. Place the saw on a firm flat surface. Hold saw firmly as shown (Fig. 7).

**NOTE:** The unit uses the **INCREDI-PULL™** starting system with **MAX FIRE IGNITION™**, which significantly reduces the effort required to start the engine. You must pull the starter rope out far enough to hear the engine attempt to start. There is no need to pull the rope briskly-- there is no harsh resistance when pulling. Be aware that this starting method is vastly different from (and much easier than) what you may be used to.

5. Hold down safety trigger (E) and squeeze the throttle trigger (D). With thumb, press down on the throttle latch (F). Release trigger (D) first. This will lock the throttle into wide open position (Fig. 3). Pull the rope with a controlled and steady motion 4 times.
6. Then move the **red choke lever** (H) to Position 2, being sure to keep the throttle trigger locked. Hold saw firmly and pull rope until saw starts. This could take 4 more pulls.
7. Let the saw warm up for 10 seconds. Depress and release throttle trigger (D) for idle.
8. Move **red choke lever** (H) to Position 3. If engine fails to start, repeat these instructions. If engine does start, begin chain brake test described on next page.
9. If unit idles roughly, there is an idle adjustment access hole (L)(Fig. 8). Using a Phillips or slotted screwdriver, turn screw 1/4 to 1/2 turn clockwise (to the right). Unit should then idle properly (Fig. 9).

**NOTE:** If chain turns while idling - turn screw back to the left until chain stops and unit continues to idle.

## STARTING A WARM ENGINE

1. Go back to step 6. Follow the steps until step 8.
2. Then move the **red choke lever** (H) to position 3 and release the throttle trigger (D).

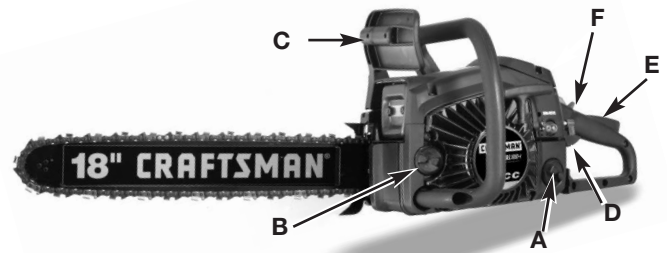


Fig. 3



Fig. 4



Fig. 5



Fig. 6

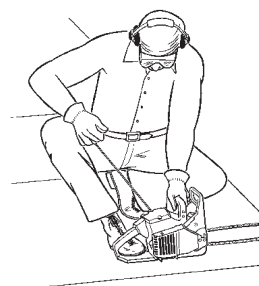


Fig. 7

# STARTING/STOPPING INSTRUCTIONS



**WARNING:** Activate the CHAIN BRAKE® slowly and deliberately. Keep the chain from touching anything; don't let the saw tip forward.



**WARNING:** If chain does not stop, turn engine off and take your unit to the nearest Authorized Service Center for service.

## CHAIN BRAKE TEST

1. Place saw on a clear, firm, flat surface.
2. With the chain brake pulled back to the disengaged position, start the engine.
3. Grasp the rear handle (A) with your right hand (Fig. 10).
4. With your left hand, hold the front handle (B) [not Chain Brake® lever (C)] firmly (Fig. 10).
5. Squeeze the throttle trigger to 1/3 throttle, then immediately engage the Chain Brake® lever by pushing forward (C) (Fig. 10).
6. Chain should stop abruptly. When it does, immediately release the throttle/trigger.
7. If Chain Brake® functions properly, turn the engine off and return the Chain Brake® to the DISENGAGED position.

## Chain Lubrication

Adequate lubrication of the saw chain is essential at all times to minimize friction with the guide bar. Never starve the bar and chain of oil. Running the saw with too little oil will decrease cutting efficiency, shorten saw chain life, cause rapid dulling of chain, and cause excessive wear of bar from overheating. Too little oil is evidenced by smoke, bar discoloration or pitch build-up.

## Automatic Oiler

Your chain saw is equipped with an automatic gear driven oiler system. The oiler automatically delivers the proper amount of oil to the bar and chain. As the engine speed increases, so does the oil flow to the bar pad. The amount of oil flowing to the bar and chain may be changed by turning the adjustment screw (D) with a small slotted screwdriver as shown in Fig. 11. Turn the screw clockwise to DECREASE oil flow and counterclockwise to INCREASE the flow.

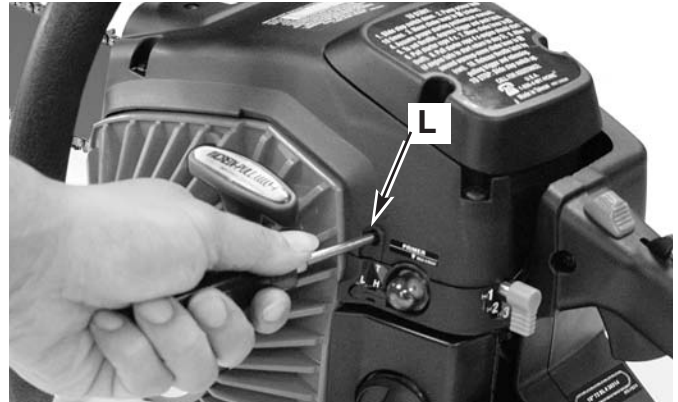


Fig. 8

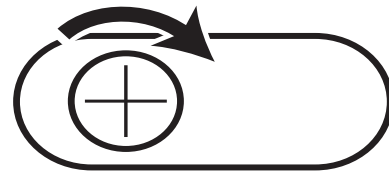


Fig. 9

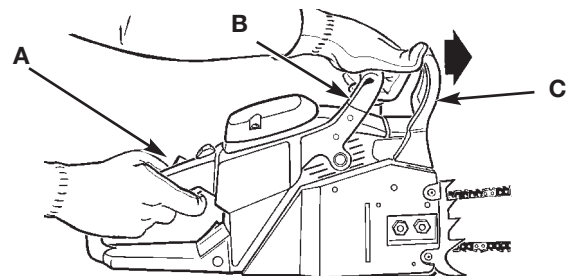


Fig. 10

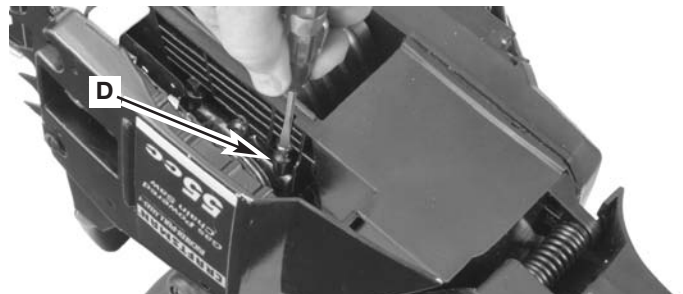


Fig. 11



# OPERATING INSTRUCTIONS

## FELLING

Felling is the term for cutting down a tree. Small trees up to 6-7 inches (15-18cm) in diameter are usually cut in a single cut. Larger trees require notch cuts. Notch cuts determine the direction the tree will fall.



**WARNING:** A retreat path (A) should be planned and cleared as necessary before cuts are started. The retreat path should extend back and diagonally to the rear of the expected line of fall, as illustrated in Fig. 12.



**CAUTION:** If felling a tree on sloping ground, the chain saw operator should keep on the uphill side of the terrain, as the tree is likely to roll or slide downhill after it is felled.

**NOTE:** Direction of fall (B) is controlled by the notching cut. Before any cuts are made, consider the location of larger branches and natural lean of the tree to determine the way the tree will fall.

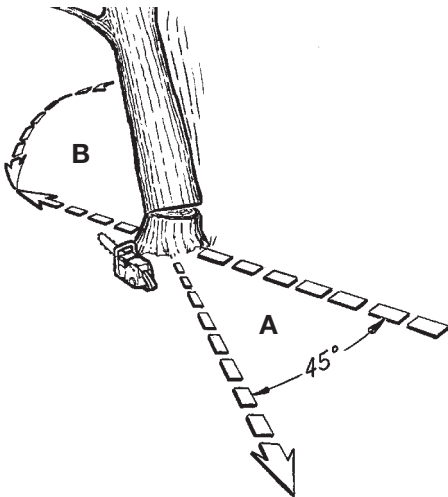


Fig. 12



**WARNING:** Do not cut down a tree during high or changing winds or if there is a danger to property. Consult a tree professional. Do not cut down a tree if there is a danger of striking utility wires; notify the utility company before making any cuts.

Normally felling consists of 2 main cutting operations, notching (C) and making the felling cut (D) (Fig. 13).

Start making the upper notch cut (C) on the side of the tree facing the felling direction (E). Be sure you don't make the lower cut too deep into the trunk (Fig. 13).

The notch (C) should be deep enough to create a hinge (F) of sufficient width and strength. The notch should be wide enough to direct the fall of the tree for as long as possible (Fig. 13).



**WARNING:** Never walk in front of a tree that has been notched. When felling, keep at least 2 tree lengths away from your fellow workers.

Make the felling cut (D) from the other side of the tree and 1.5 - 2.0 inches (3-5 cm) above the edge of the notch (C) (Fig. 13).

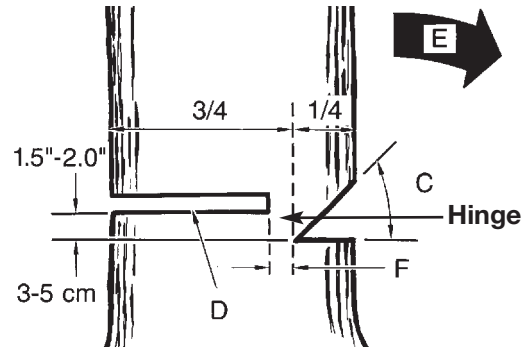


Fig. 13

Never saw completely through the trunk. Always leave a hinge. The hinge guides the tree. If the trunk is completely cut through, control over the felling direction is lost.



**WARNING:** Before making the final cut, always recheck the area for bystanders, animals or obstacles.

Insert a wedge or felling lever in the cut well before the tree becomes unstable and starts to move. This will prevent the guidebar from binding in the felling cut if you have misjudged the falling direction. Make sure no bystanders have entered the range of the falling tree before you push it over.

Felling Cut:

1. Use wooden or plastic wedges (G) to prevent binding the bar or chain (H) in the cut. Wedges also control felling (Fig. 14).
2. When diameter of wood being cut is greater than the bar length, make 2 cuts as shown (Fig. 15).



**WARNING:** As the felling cut gets close to the hinge, the tree should begin to fall. When tree begins to fall, remove saw from cut, stop engine, put chain saw down, and leave area along retreat path (Fig. 12).

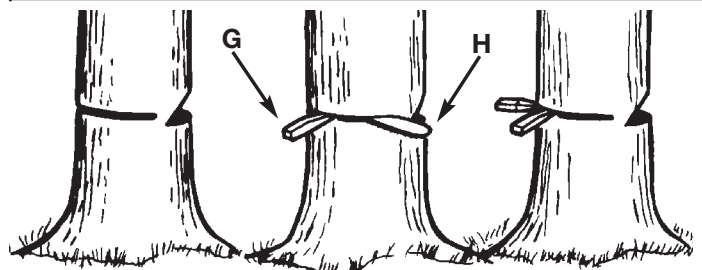


Fig. 14



# OPERATING INSTRUCTIONS

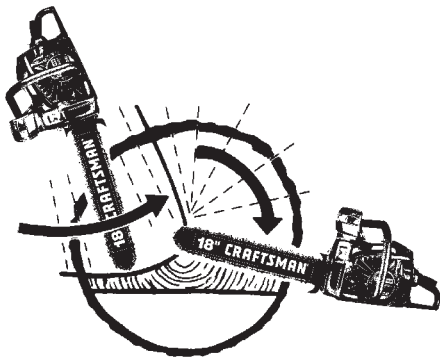


Fig. 15

## LIMBING

Limbing a tree is the process of removing the branches from a fallen tree. Do not remove supporting limbs (A) until after the log is bucked (cut) into lengths (Fig. 16). Branches under tension should be cut from the bottom up to avoid binding the chain saw.

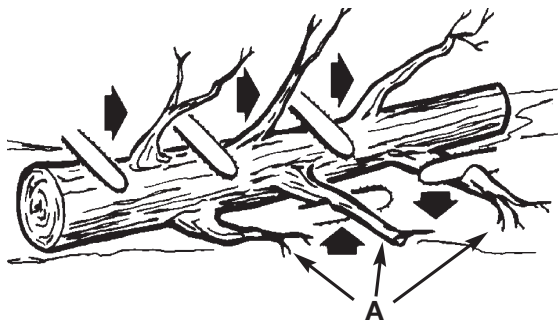


Fig. 16

	<p><b>WARNING:</b> Never cut tree limbs while standing on a tree trunk.</p>
--	---

## BUCKING

Bucking is cutting a fallen log into lengths. Make sure you have a good footing and stand uphill of the log when cutting on sloping ground. If possible, the log should be supported so that the end to be cut off is not resting on the ground. If the log is supported at both ends and you must cut in the middle, make a downward cut halfway through the log and then make the undercut. This will prevent the log from pinching the bar and chain. Be careful that the chain does not cut into the ground when bucking as this causes rapid dulling of the chain.



Fig. 17

When bucking on a slope, always stand on the uphill side.

1. Log supported along entire length: Cut from top (overbuck), being careful to avoid cutting into the ground (Fig. 17).
2. Log supported on 1 end: First, cut from bottom (underbuck) 1/3 diameter of log to avoid splintering. Second, cut from above (overbuck) to meet first cut and avoid pinching (Fig. 18).
3. Log supported on both ends: First, overbuck 1/3 diameter of log to avoid splintering. Second, underbuck to meet first cut and avoid pinching (Fig. 19).

**NOTE:** The best way to hold a log while bucking is to use a sawhorse. When this is not possible, the log should be raised and supported by the limb stumps or by using supporting logs. Be sure the log being cut is securely supported.

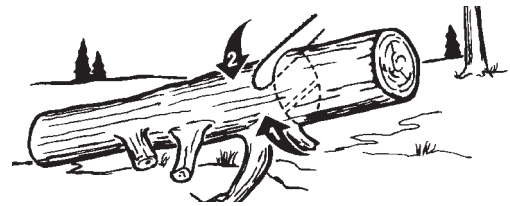


Fig. 18

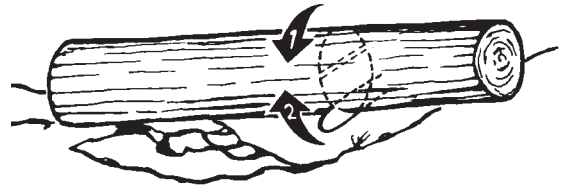


Fig. 19

## BUCKING USING A SAWHORSE

For personal safety and ease of cutting, the correct position for vertical bucking is essential (Fig. 20).

- A. Hold the saw firmly with both hands and keep the saw to the right of your body while cutting.
- B. Keep the left arm as straight as possible.
- C. Keep weight on both feet.

	<p><b>CAUTION:</b> While the saw is cutting, be sure the chain and bar are being properly lubricated.</p>
--	---

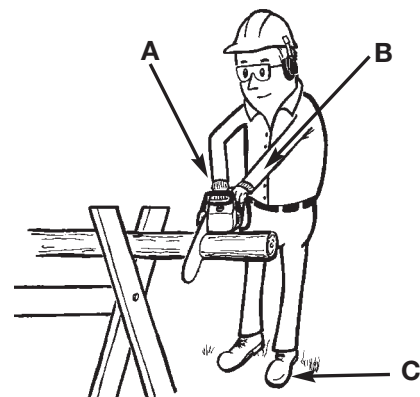


Fig. 20

# MAINTENANCE AND REPAIR INSTRUCTIONS

## MAINTENANCE SCHEDULE

Perform these required maintenance procedures at the frequency stated in the table. These procedures should also be a part of any seasonal tune-up.

**NOTE:** Maintenance, replacement, or repair of the emission control devices and system may only be performed by a Sears or other qualified service dealer.

**NOTE:** Maintenance, replacement, or repair of the emission control devices and system may be performed by a Sears or other qualified service dealer.



**WARNING:** To prevent serious injury, never perform maintenance or repairs with unit running. Always service and repair a cool unit. Disconnect the spark plug wire to ensure that the unit cannot start.

A good preventive maintenance program of regular inspection and care will increase life and improve performance of your chain saw. This maintenance checklist is a guide for such a program.

Cleaning, adjustment, and part replacement may be required, under certain conditions, at more frequent intervals than those indicated.

## CUSTOMER RESPONSIBILITY

MAINTENANCE CHECKLIST		AFTER EACH USE	HOURS OF OPERATION	
ITEM	BEFORE EACH USE		10	20
CHECK FOR LOOSE SCREWS/ NUTS/BOLTS	✓			
CLEAN OR REPLACE THE AIR FILTER			✓	
REPLACE SPARK PLUG REPLACE OIL / FUEL FILTER			✓	
CLEAN, INSPECT SPARK PLUG ARRESTOR SCREEN / MUFFLER			✓	
CHECK GUIDE BAR AND CHAIN OIL, FUEL HOSES	✓			
CLEAN UNIT AND INSPECT DECALS		✓		
CHECK CHAIN BRAKE® COMPONENTS		✓		
CLEAN GUIDE BAR GROOVE			✓	
CHECK FOR DAMAGED / WORN PARTS	✓			
CHECK CHAIN TENSION	✓			
CHECK CHAIN SHARPNESS	✓			
LUBRICATE SPROCKET TIP		✓		
CHECK FUEL MIXTURE	✓			

# MAINTENANCE AND REPAIR INSTRUCTIONS

## REMOVING GUIDE BAR AND CHAIN



**CAUTION:** To ensure the bar and chain receive oil, **ONLY USE THE ORIGINAL STYLE BAR** with the oil passage hole (A) as illustrated in Fig. 21.

**NOTE:** Always wear heavy gloves when handling the saw chain.

1. Make sure the Chain Brake® lever is pulled back into the DISENGAGED position (Fig. 21). Remove bar retaining nuts with supplied multi-purpose tool (Fig. 22).
2. Remove chain brake cover (C, Fig. 22) and outer guide bar plate (I, Fig. 27) by pulling straight out (Fig. 22).
3. Slide bar off the two bar bolts and remove chain (Fig. 23).

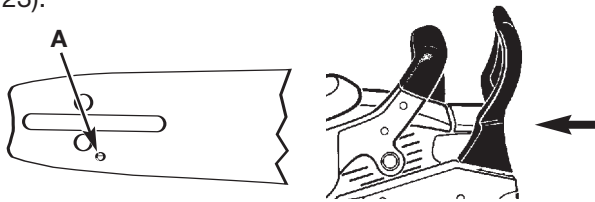


Fig. 21

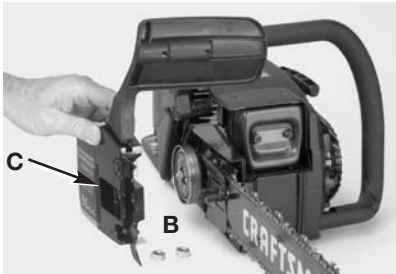


Fig. 22

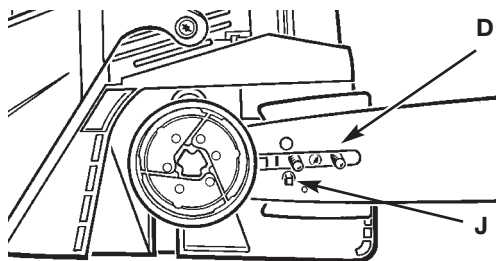


Fig. 23

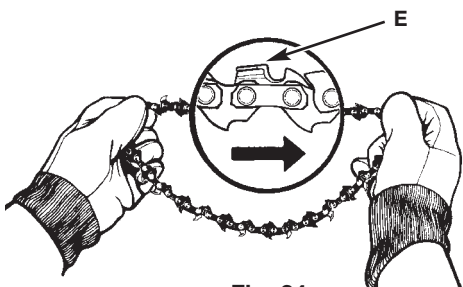


Fig. 24

## REPLACING GUIDE BAR AND CHAIN



**WARNING:** Always use protective gloves when handling the saw chain.

1. Spread chain out in a loop with cutting edges (E) pointing CLOCKWISE around loop (Fig. 24).
2. Slip the chain around the sprocket (F) behind the clutch (G). Make sure the links fit between the sprocket teeth (Fig. 25).
3. Place the slotted end of the guide bar over the two bar bolts (D, Fig. 23). Be sure adjusting tang (J, Fig. 23) is in lower adjusting hole of the bar.
4. Guide the drive links into the groove (H) and around the end of the bar (Fig. 25).
5. The chain will be tight so you will have to rotate the clutch clockwise by hand so the chain engages the bar sprocket.
6. Replace the outer guide bar plate (I) so the bent edges (top and bottom) are directed away from the chain (Fig. 27).
7. Install the Chain Brake® cover (Fig. 27). Make sure the chain does not slip off of the bar. Install the 2 bar retaining nuts hand tight and follow instructions in Saw Chain Tension Adjustment.

**NOTE:** The guide bar retaining nuts are installed only hand tight at this point because saw chain adjustment is required. Follow instructions in Saw Chain Tension Adjustment.

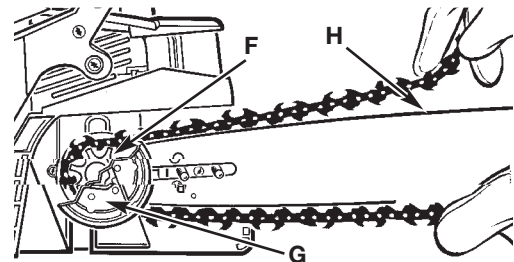


Fig. 25

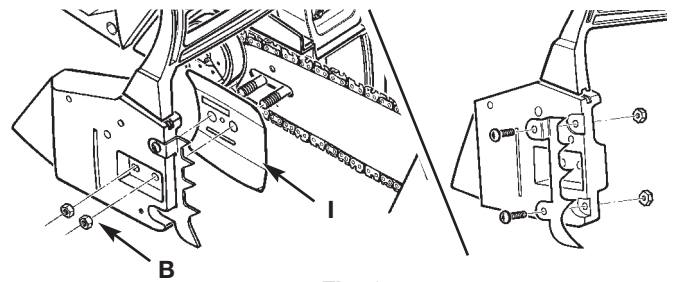


Fig. 27

# MAINTENANCE AND REPAIR INSTRUCTIONS

## SAW CHAIN TENSION ADJUSTMENT



Proper tension of saw chain is extremely important and must be checked before starting, as well as during any cutting operation.

Taking the time to make needed adjustments to the saw chain will result in improved cutting performance and prolonged chain life.

To adjust the saw chain:

1. Loosen the bar retaining nut(s) (B, Fig. 27). Hold nose of guide bar up and turn adjustment screw (D) CLOCKWISE to increase chain tension. Turning screw COUNTERCLOCKWISE will decrease amount of tension on chain. Ensure the chain fits snugly all the way around the guide bar (Fig. 28).

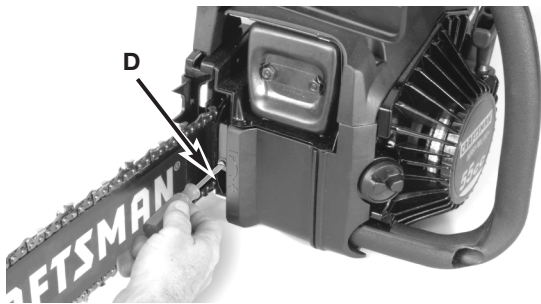


Fig. 28

2. After making adjustment, and while still holding nose of bar in the uppermost position, tighten the bar retaining nuts securely. Chain has proper tension when it has a snug fit all around and can be pulled around by gloved hand.

**NOTE:** If chain is difficult to rotate on guide bar or if it binds, too much tension has been applied. This requires minor adjustment as follows:

- A. Loosen the bar retaining nuts so they are hand tight. Decrease tension by turning the bar adjustment screw COUNTERCLOCKWISE slowly. Move chain back and forth on bar. Continue to adjust until chain rotates freely, but fits snugly. Increase tension by turning bar adjustment screw CLOCKWISE.
- B. When saw chain has proper tension, hold nose of bar in uppermost position and tighten the bar retaining nuts securely.

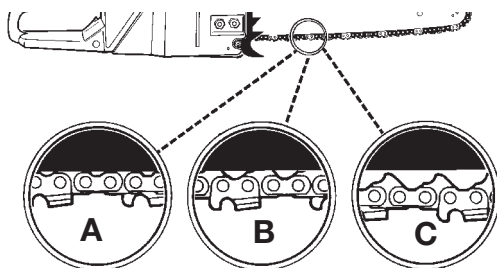
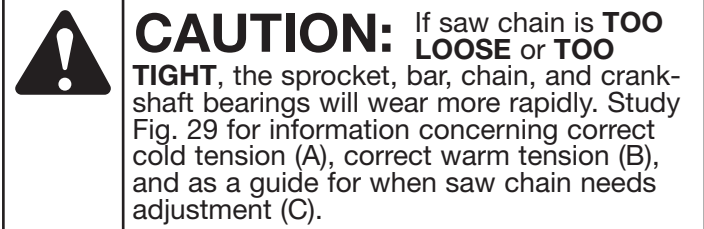
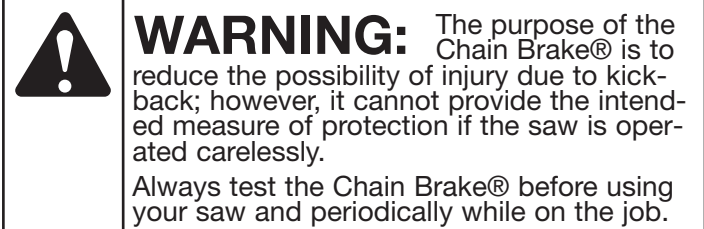


Fig. 29



## CHAIN BRAKE MECHANICAL TEST



Your chain saw is equipped with a Chain Brake® that reduces possibility of injury due to kickback. The brake is activated if pressure is applied against brake lever when, as in the event of kickback, operator's hand strikes the lever. When the brake is activated, chain movement stops abruptly.

To Test the Chain Brake®:

1. The Chain Brake® is **DISENGAGED** (chain can move) when **BRAKE LEVER IS PULLED BACK AND LOCKED** (A, Fig. 30).
2. The Chain Brake® is **ENGAGED** (chain is stopped) when brake lever is in forward position. You should not be able to move chain (B, Fig. 30).

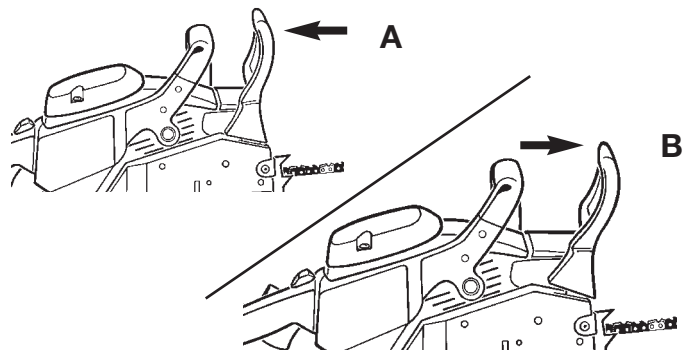


Fig. 30

# MAINTENANCE AND REPAIR INSTRUCTIONS

## MAINTENANCE REQUIREMENTS

### CHECK FOR DAMAGED OR WORN PARTS

Check a Sears Service Center for replacement of damaged or worn parts.

**NOTE:** It is normal for a small amount of oil to appear under the saw after the engine stops. Do not confuse this with a leaking oil tank.

- STOP Switch - Ensure STOP switch functions properly by moving the switch up to the STOP position. Make sure the engine stops; then restart engine and continue.
- Fuel Tank - Do not use saw if fuel tank shows signs of damage or leaks.
- Oil Tank - Do not use saw if oil tank shows signs of damage or leaks.

### CHECK FOR LOOSE FASTENERS AND PARTS

- Chain Brake Nuts
- Chain
- Muffler
- Cylinder Shield
- Air Filter cover
- Handle Screws
- Vibration Mounts
- Starter Housing
- Front Hand Guard

### AIR FILTER



**CAUTION:** Never operate saw without the air filter. Dust and dirt will be drawn into engine and damage it. Keep the air filter clean.

1. Remove the top cover (A) by loosening the cover retaining screws. Cover will lift off (Fig. 31).
2. Clean air filter. Wash filter in clean, warm, soapy water. Rinse in clear, cool water. Air dry completely.

**NOTE:** It is advisable to have a supply of spare filters.

3. Install air filter. Install engine / air filter cover. Make sure cover fits properly. Tighten the cover retaining screws securely.



**WARNING:** To avoid serious personal injury, always turn your unit off and allow it to cool before you clean or service it.



Fig. 31

### FUEL FILTER



**CAUTION:** Never operate saw without the fuel filter. The fuel filter should be replaced after each 10 hours of use. Drain fuel tank before changing.

To empty fuel tank before removing fuel filter.

1. Pull fuel filter (A) out of tank with a bent wire (B) or long needle nosed pliers. Disconnect filter and discard (Fig. 32).

**NOTE:** Do not pull hose completely out of tank.

2. Install a new fuel filter on hose and push hose and filter assembly back into tank so filter is positioned in front right corner.
3. Fill tank with fresh fuel/oil mixture. See *Oil and Fuel Information*. Install fuel cap.

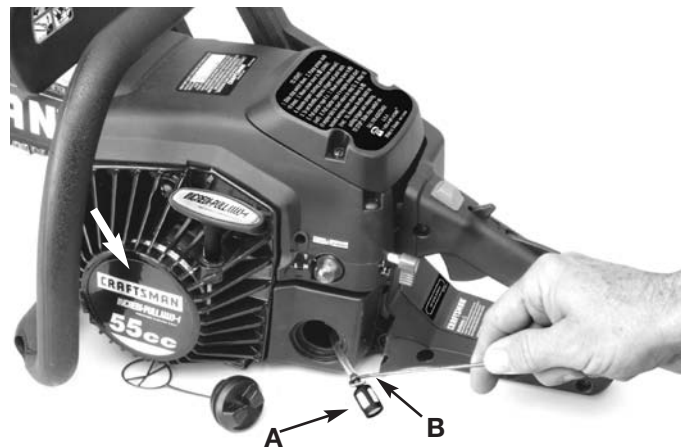


Fig. 32



# MAINTENANCE AND REPAIR INSTRUCTIONS

## OIL FILTER

**NOTE:** Drain oil reservoir before changing filter

1. Take the bottom plate off then use a wire with a hook (A) and pull oil filter (B) from reservoir. Remove old filter and replace.
2. Put filter and oil line back into oil reservoir so filter is at bottom of reservoir.

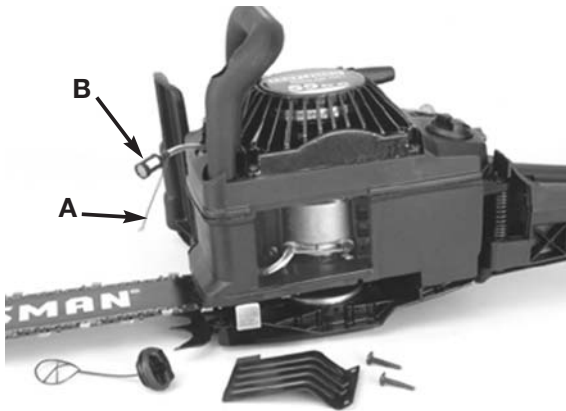


Fig. 33

## SPARK ARRESTER SCREEN

**NOTE:** A clogged spark arrester screen will dramatically reduce engine performance.

1. To flatten the corners of the lock plate to be able to access the retaining nuts. Remove 2 muffler retaining nuts (E), Lock plate (F) and muffler cover (G) (Fig. 34).
2. Remove spark arrester screen (H) from the metal baffle (J). Replace screen with new one.
3. Reassemble the muffler components and tighten nuts securely.

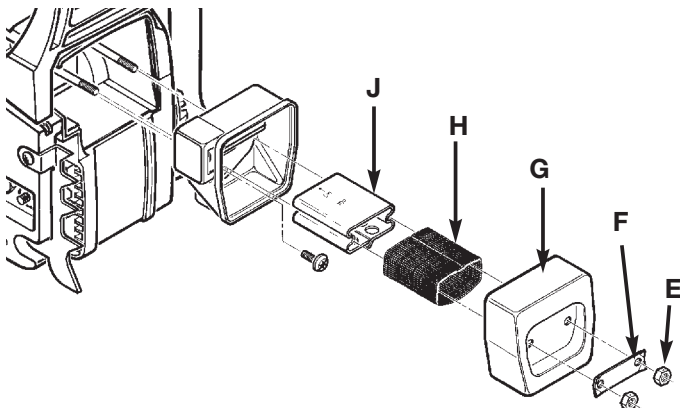


Fig. 34

## SPARK PLUG

**NOTE:** For efficient operation of saw engine, spark plug must be kept clean and properly gapped.

1. Push STOP switch up.
2. Remove top Cover. Disconnect the wire connector from the spark plug by pulling and twisting at the same time (Fig. 35).
3. Remove spark plug with spark plug socket wrench. DO NOT USE ANY OTHER TOOL.



**WARNING:** Do not sand blast, scrape or clean electrodes. Grit in the engine could damage the cylinder.

4. Check electrode gaps with wire feeler gauge and set gaps to .025" (.635mm) if necessary.
5. Reinstall a new spark plug (champion RDJ8J or equivalent).

**NOTE:** A resistor spark plug must be used for replacement (part no. 9295-320001).

**NOTE:** This spark ignition system meets all requirements of the Canadian Interferen-Causing Equipment Regulations.

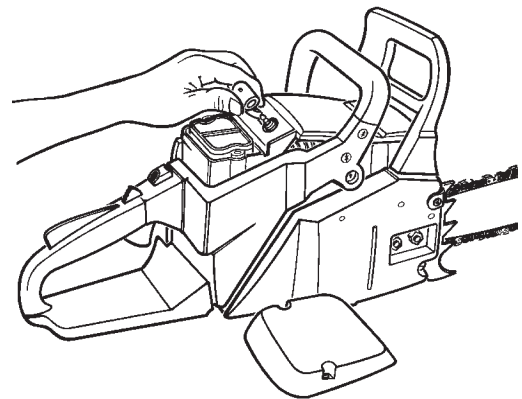


Fig. 35

## CARBURETOR ADJUSTMENT

The carburetor was pre-set at the factory for optimum performance. If further adjustments are necessary, please take your unit to a Sears or other qualified service dealer.

# MAINTENANCE AND REPAIR INSTRUCTIONS

## STORING A CHAIN SAW



**CAUTION:** Never store a chain saw for longer than 30 days without performing the following procedures.

Storing a chain saw for longer than 30 days requires storage maintenance. Unless the storage instructions are followed, fuel remaining in the carburetor will evaporate, leaving gum-like deposits. This could lead to difficult starting and result in costly repairs.

1. Remove the fuel tank cap slowly to release any pressure in tank. Carefully drain the fuel tank by running the unit dry or by tipping the motor housing/fuel tank over and draining oil/fuel mixture into a container with the same 2-cycle fuel mixture.
2. Start the engine and let it run until the unit stops to remove fuel from carburetor.
3. Allow the engine to cool (approx. 5 minutes).
4. Using a spark plug wrench, remove the spark plug.
5. Pour 1 teaspoon of clean 2-cycle oil into the combustion chamber. Pull starter rope slowly several times to coat internal components. Replace spark plug (Fig. 36).

**NOTE:** Store the unit in a dry place and away from possible sources of ignition such as a furnace, gas hot water heater, gas dryer, etc.

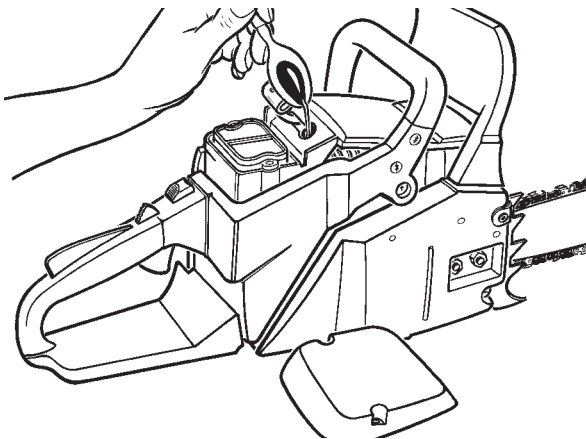


Fig. 36

## REMOVING A UNIT FROM STORAGE

1. Remove spark plug.
2. Pull starter rope briskly to clear excess oil from combustion chamber.
3. Clean and gap spark plug or install a new spark plug with proper gap.
4. Prepare unit for operation.
5. Fill fuel tank with proper fuel / oil mixture. See Oil and Fuel Information.

## GUIDE BAR MAINTENANCE

Frequent lubrication of the guide bar (railed bar which supports and carries the saw chain) sprocket tip is required. Proper maintenance of the guide bar, as explained in this section, is essential to keep your saw in good working condition.

## Sprocket Tip Lubrication



**CAUTION:** The sprocket tip on your new saw has been pre-lubricated at the factory. Failure to lubricate the guide bar sprocket tip as explained below will result in poor performance and seizure, voiding the manufacturer's warranty.

Lubrication of the sprocket tip is recommended after 10 hours of use or once a week, whichever occurs first. Always thoroughly clean guide bar sprocket tip before lubrication.

The Lube Gun (not included) is recommended for applying grease to the guide bar sprocket tip. The Lube Gun is equipped with a needle nose tip which is necessary for the efficient application of grease to the sprocket tip.

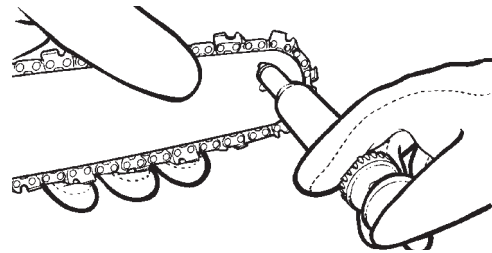


Fig. 37

To lubricate the sprocket tip:

1. Move the STOP switch up.

**NOTE:** It is not necessary to remove the saw chain to lubricate the guide bar sprocket tip. Lubrication can be done on the job.

2. Clean the guide bar sprocket tip.
3. Using the Lube Gun (not included), insert tip of lube gun into the lubrication hole and inject grease until it appears at outside edge of sprocket tip (Fig. 37).
4. Rotate saw chain by hand. Repeat lubrication procedure until the entire sprocket tip has been greased.

## SAW CHAIN / BAR LUBRICATION

Adequate lubrication of the saw chain is essential at all times to minimize friction with the guide bar.

Never starve the bar and chain of oil. Running the saw with too little oil will decrease cutting efficiency, shorten saw chain life, cause rapid dulling of chain, and cause excessive wear of bar from overheating. Too little oil is evidenced by smoke, bar discoloration or pitch build-up.

**NOTE:** Saw chain stretches during use, particularly when it is new, and it will occasionally be necessary to adjust and tighten it. New chain will require adjustment after about 5 minutes of operation.

## AUTOMATIC OILER

Refer to Section Other Instructions: Automatic Oiler for information on the automatic oiler.

# MAINTENANCE AND REPAIR INSTRUCTIONS

## GUIDE BAR MAINTENANCE:

Most guide bar problems can be prevented merely by keeping the chain saw well maintained.

Insufficient guide bar lubrication and operating the saw with chain that is too tight will contribute to rapid bar wear.

To help minimize bar wear, the following guide bar maintenance procedures are recommended.

**BAR WEAR** - Turn guide bar frequently at regular intervals (for example, after 5 hours of use), to ensure even wear on top and bottom of bar.

**BAR GROOVES (B)** Bar grooves (or rails which support and carry the chain) should be cleaned if saw has been used heavily or if saw chain appears dirty. Rails should always be cleaned every time saw chain is removed.(fig. 38)

**OIL PASSAGES (A)** Oil passages on the bar should be cleaned to ensure proper lubrication of the bar and chain during operation. This can be done using a soft wire small enough to insert into the oil discharge hole.(fig. 38)

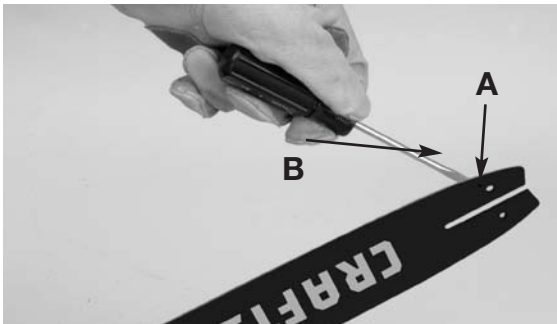


Fig. 38

**NOTE:** The condition of the oil passages can be easily checked. If the passages are clear, the chain will automatically give off a spray of oil within seconds of starting the saw. Your saw is equipped with an automatic oiler system.

## CHAIN MAINTENANCE

### Chain Tension

Check the chain tension frequently and adjust as often as necessary to keep the chain snug on the bar, but loose enough to be pulled around by hand.

### Breaking in a New Saw Chain

A new chain and bar will need chain readjustment after as few as 5 cuts. This is normal during the break-in period, and the interval between future adjustments will begin to lengthen quickly.

## Chain Lubrication

Always make sure the automatic oiler system is working properly. Keep the oil reservoir filled with Chain, Bar and Sprocket Oil.

Adequate lubrication of the bar and chain during cutting operations is essential to minimize friction with the guide bar.

Never starve the bar and chain of lubricating oil. Running the saw dry or with too little oil will decrease cutting efficiency, shorten saw chain life, cause rapid dulling of chain, and lead to excessive wear of bar from overheating. Too little oil is evidenced by smoke or bar discoloration.

## Chain Sharpening

Chain sharpening requires special tools to ensure that cutters are sharpened at the correct angle and depth. For the inexperienced chain saw user, we recommend that the saw chain be professionally sharpened by the nearest Authorized Service Center. If you feel comfortable sharpening your own saw chain, special tools are available from your Authorized Service Center. Use 3/16" round file to sharpen this chain.

## CHAIN REPLACEMENT INFORMATION

Bar Length	Drive Links	Sears Part #
18" Bar	72 DL	36514

## INERTIA CHAIN BRAKE® ACTION

**NOTE:** THIS SAW IS EQUIPPED WITH AN INERTIA CHAIN BRAKE. IF THE SAW KICKS BACK WHILE IN USE, THE INERTIA OF THE MOVING SAW WILL ACTIVATE THE BRAKE. A BRAKE BAND AROUND THE CLUTCH DRUM ACTIVATES AND STOPS THE MOVING CHAIN.



**WARNING:** Never have more than 3 links removed from a loop of chain. This could cause damage to the sprocket.

# TROUBLESHOOTING

## UNIT WON'T START OR STARTS BUT WILL NOT RUN

### CAUSE

1. Incorrect starting procedures
2. Incorrect carburetor mixture adjustment setting
3. Fouled spark plug
4. Empty fuel tank
5. Primer bulb was not pressed enough

### ACTION

1. Follow instructions in the Starting/Stopping section
2. Have carburetor adjusted by a Sears or other qualified service dealer
3. Clean/gap or replace plug
4. Fill fuel tank with properly mixed fuel
5. Press primer bulb fully and slowly 10 times

## UNIT STARTS, BUT ENGINE HAS LOW POWER

### CAUSE

1. Fuel filter is plugged
2. Incorrect lever position
3. Dirty spark arrestor screen
4. Dirty air filter
5. Incorrect carburetor mixture adjustment setting

### ACTION

1. Replace the fuel filter
2. Move to Position 3
3. Replace spark arrestor screen
4. Remove, clean and reinstall filter
5. Have carburetor adjusted by a Sears or other qualified service dealer

## ENGINE HESITATES

### CAUSE

1. Incorrect carburetor mixture adjustment setting
2. Air filter is plugged
3. Old or improperly mixed fuel

### ACTION

1. Have carburetor adjusted by a Sears or other qualified service dealer
2. Replace or clean the air filter
3. Drain gas tank/add fresh fuel mixture

## NO POWER UNDER LOAD

### CAUSE

1. Incorrect carburetor mixture adjustment setting
2. Old or improperly mixed fuel
3. Air filter is plugged
4. Fouled spark plug

### ACTION

1. Have carburetor adjusted by a Sears or other qualified service dealer
2. Drain gas tank (see Storage)/add fresh fuel mixture
3. Replace or clean the air filter
4. Replace or clean the spark plug

## RUNS ERRATICALLY

### CAUSE

1. Incorrectly gapped spark plug
2. Plugged spark arrestor
3. Dirty air filter

### ACTION

1. Clean/gap or replace plug
2. Clean or replace spark arrestor
3. Clean or replace air filter

## SMOKES EXCESSIVELY

### CAUSE

1. Incorrect carburetor mixture adjustment setting
2. Incorrect fuel mixture

### ACTION

1. Have carburetor adjusted by a Sears or other qualified service dealer
2. Use properly mixed fuel (40:1 mixture)

**NOTE:** For repairs beyond the minor adjustments listed above, contact your nearest Sears Parts & Repair center at (1-800-4-MY-HOME®) or other qualified service dealer for an adjustment.

# SPECIFICATIONS

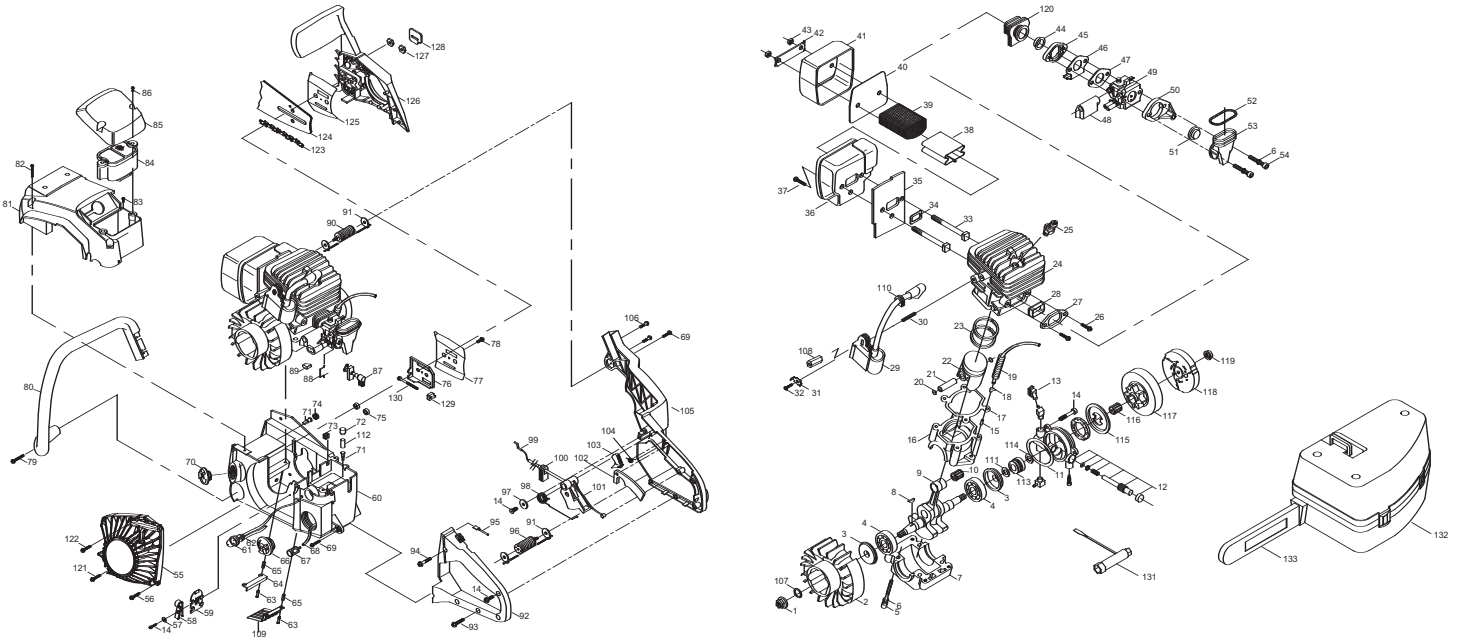
## ENGINE\*

Engine Type .....	Air-Cooled, 2-Cycle
Displacement.....	(55 cc)(3.36 cu in.)
Idle Speed RPM .....	3,400 rpm
Operating RPM.....	7,200+ rpm
Ignition Type .....	Electronic-MAX FIRE IGNITION™
Ignition Switch .....	Slide Switch
Spark Plug Gap .....	0.025 in. (0.635 mm)
Lubrication .....	Fuel/Oil Mixture
Fuel/Oil Ratio.....	40:1
Carburetor .....	Diaphragm, All-Position
Starter .....	Incredi-Pull™ Starting Auto Rewind
Muffler .....	Baffled with Guard
Throttle.....	Manual Spring Return
Fuel Tank Capacity.....	16.8 oz. (496.8 ml)
Throttle Control.....	Finger-Tip Trigger
Approximate Unit Weight (No fuel) .....	17.6 lbs. (8 kg)
Cutting Diameter .....	36 in. (91.4 cm)

\*All specifications are based on the latest product information available at the time of printing. We reserve the right to make changes at any time without notice.



# PARTS LIST



Item	Parts No.	Description	Item	Parts No.	Description	Item	Parts No.	Description	Item	Parts No.	Description
1	9NAB-5/16-24	NUT	34	9014-310208	WASHER	67	9182-310001	FILTER, FUEL	100	9124-310209	GROMMET
2	9228-31B206	FLYWHEEL	35	9082-310201	BAFFLER	68	9129-310004	HOSE	101	9028-310202	TRIGGER
3	9157-310201	SEAL	36	9228-310217	MUFFLER BODY ASSY	69	9SKKZY10/14-01	SCREW	102	9028-310201	RELEASE, TRIGGER
4	9DB-620201	BEARING	37	9SKKBY10/24-0.5	SCREW	70	9124-310202	BOOT, CARB	103	9072-310203	LATCH, HIGH IDLE
5	9SREB-10/24-2.75	SCREW	38	9211-310201	PLATE	71	9070-310002	VALVE DUCKBILL	104	9024-310207	SPRING
6	9WFB-0.2	WASHER	39	9183-310201	SCREEN	72	9129-310209	HOSE	105	9068-310203	FRAME, REAR
7	9072-310201F	CRANKCASE LOWER	40	9082-310205	BAFFLER	73	9013-310201	PLUG	106	9SGKBY10/24-0.5	SCREW
8	9221-310001	KEY	41	9017-310204	COVER, MUFFLER	74	9252-310002	FILTER	107	9WOC-08	WASHER
9	9228-310203A	C'SHAFT/C'ROD ASS'Y	42	9158-310201	LOCKPLATE	75	9131-310206	WASHER	108	9124-310205	SPACER
10	9155-310201	BEARING	43	9NAC-10/24	NUT	76	9043-310203	PLATE, BAR	109	9043-310205	PLATE
11	9076-310201	O RING	44	9131-310203	EYELET	77	9043-310202	PLATE, FLANGE	110	9012-330301	GROMMET
12	9228-310208	PUMP ASS'Y	45	9014-310204	FLANGE	78	9SKKBY6/19-0.375	SCREW	111	6014-M96A01	WASHER
13	9154-310201	CONNECTOR	46	9102-310202	PLATE	79	9SJKB-12/14-1.5	SCREW	112	6182-210101	FILTER
14	9SKKBY8/16-0.5	SCREW	47	9014-310202	GASKET	80	9228-31B202	HANDLE ASS'Y	113	9073-310201	GEAR, WORM
15	9124-310201	FITTING, PULSE LINE	48	9124-310203	BOOT	81	9228-310216	COVER ASS'Y	114	9WFN-0.4	WASHER
16	9072-310202F	CRANKCASE UPPER	49	9287-310201	CARB	82	9SKKBY10/14-02	SCREW	115	9WDZ-0.722	WASHER
17	9014-310212	GASKET	50	9014-310201	FLANGE	83	9SKKBY10/14-0.68	SCREW	116	9155-310203	BEARING
18	9036-310201	CLAMP, WIRE HOSE	51	9131-310204	EYELET	84	9228-310204	AIR CLEANER ASSY	117	9228-310211	DRUM SPRKT ASS'Y
19	9059-310201	CONDUIT, FLEX	52	9024-310202	SPRING	85	9067-310202	COVER	118	9228-310210	CLUTCH ASS'Y
20	9CA-0.46	RING	53	9124-310204	BOOT	86	9214-310101	SCREW	119	9NHC-09	NUT
21	9PC-10-32.5	PIN	54	9SREB-10/24-1.625	SCREW	87	9228-310230	CHOKE ASS'Y	120	9124-310202	BOOT, CARB
22	9290-310201	PISTON	55	9228-31B208	STARTER ASS'Y	88	9114-310202	ROD, CHOKE	121	9SKKBY10/14-0.625	SCREW
23	9189-310201	RING, PISTON	56	9SKKBY10/14-0.625	SCREW	89	9013-310202	PLUG	122	9SKKBY10/24-0.5	SCREW
24	9292-310201F	CYLINDER	57	9WFFZ-0.18	WASHER	90	9228-310213	ISOLATOR ASS'Y	123	9220-31B202	CHAIN
25	9295-320001	SPARK PLUG	58	9223-310201	METAL CLIP	91	9228-310214	CABLE ASS'Y	124	9040-31A216	BAR (CRAFTSMAN LOGO)
26	9SKKBY10/24-0.62	SCREW	59	9183-310202	SCREEN	92	9228-310232	COVER ASS'Y, HANDLE	125	9082-310204	PLATE
27	9014-310203	FLANGE	60	9228-310205	FUEL/OIL TANK ASS'Y	93	9SKKBY8/16-0.625	SCREW	126	9228-310245	CHAIN BRAKE ASS'Y
28	9131-310202	EYELET	61	9142-310002	PRIMER, REMOTE	94	9SKKBY8/16-1	SCREW	127	9NAA-5/16-18	NUT
29	9288-310201-CH	IGNITION ASS'Y	62	9129-310214	HOSE	95	9010-310203	WIRE	128	9072-310206	PLATE
30	9191-310201	STUD	63	9SKKBY10/24-1	SCREW	96	9228-310222	ISOLATOR ASS'Y	129	9035-310201	NUT
31	9051-310202	CONTACT, C'ROUNT	64	9043-310201	PLATE	97	9WFB-4.9-17	WASHER	130	9214-310201	SCREW
32	9SKKBY10/24-0.75	SCREW	65	9124-310206	SPACE	98	9024-310206	SPRING	131	9042-310201	WRENCH
33	9STDZY10/24-2.79	SCREW	66	9228-310206	CAP, FUEL	99	9010-310201	CABLE	132	9120-MD0701	CARRY CASE
									133	9017-310214	SCABBARD

## California / EPA Emission Control Warranty Statement

### Your Warranty Rights and Obligations

The California Air Resources Board, The Environmental Protection Agency and Sears, Roebuck and Co., are pleased to explain the emission control system warranty on your 2005 and later small off-road engine. In California and the 49 states, new small off-road engines must be designed, built and equipped to meet stringent anti-smog standards. Sears must warrant the emission control system on your small off-road engine for the periods of time listed below provided there has been no abuse, neglect or improper maintenance of your small off-road engine.

Your Emission control system may include parts such as the carburetor or fuel-injection system, the ignition system, and catalytic converter. Also included may be hoses, belts, connectors and other emission-related assemblies.

Where a warrantable condition exists, Sears will repair your small off-road engine at no cost to you including diagnosis, parts and labor.

**The 2005 and later small off-road engines are warranted for two years. If any emission-related part on your engine is defective, the part will be repaired or replaced by Sears.**

#### Owner's Warranty Responsibilities

- As the small off-road engine owner, you are responsible for the performance of the required maintenance listed in your operator's manual. Sears recommends that you retain all receipts covering maintenance on your small off-road engine, but Sears cannot deny warranty solely for the lack of receipts or for your failure to ensure the performance of all scheduled maintenance.
- As the small off-road engine owner, you should however be aware that Sears may deny you warranty coverage if your small off-road engine or a part has failed due to abuse, neglect, improper maintenance or unapproved modifications.
- You are responsible for presenting your small off-road engine to a Sears authorized service center as soon as problem exists. The warranty repairs should be completed in a reasonable amount of time, not to exceed 30 days.

If you have any questions regarding your warranty rights and responsibilities, you should call 1-800-4-MY-HOME®.

#### Manufacturer's Warranty Coverage

- The warranty period begins on the date the engine or equipment is delivered to the retail purchaser.
- The manufacturer warrants to the initial owner and each subsequent purchaser, that the engine is free from defects in material and workmanship which cause the failure of a warranted part for a period of one year.
- Repair and replacement of warranted part will be performed at no charge to the owner at an authorized Sears service center. For the nearest location please contact Sears at: 1-800-4-MY-HOME®.
- Any warranted part which is not scheduled for replacement, as required maintenance or which is scheduled only for regular inspection to the effect of "Repair or Replace as Necessary" is warranted for the period. Any warranted part which is scheduled for replacement as required maintenance will be warranted for the period of time up to the first scheduled replacement point for that part.
- The owner will not be charged for diagnostic labor which leads to the determination that a warranted part is defective if the diagnostic work is performed at an authorized Sears Service Center.
- The manufacturer is liable for damages to other engine components caused by the failure of a warranted part still under warranty.
- Failures caused by abuse, neglect or improper maintenance are not covered under warranty.
- The use of add-on or modified parts can be grounds for disallowing a warranty claim. The manufacturer is not liable to cover failures of warranted parts caused by the use of add-on or modified parts.
- In order to file a claim, go to your nearest authorized Sears Service Center. Warranty service or repairs will be provided at all authorized Sears Service Centers.
- Any manufacturer approved replacement part may be used in the performance of any warranty maintenance or repair of emission related parts and will be provided without charge to the owner. Any replacement part that is equivalent in performance or durability may be used in non-warranty maintenance or repair and will not reduce the warranty obligations of the manufacturer.
- The following components are included in the emission related warranty: engine, air filter, carburetor, primer, fuel lines, fuel pick up/fuel filter, ignition module, spark plug and muffler.

## Repair Protection Agreements

*Congratulations on making a smart purchase.* Your new Craftsman® product is designed and manufactured for years of dependable operation. But like all products, it may require repair from time to time. That's when having a Repair Protection Agreement can save you money and aggravation.

*Purchase a Repair Protection Agreement now and protect yourself from unexpected hassle and expense.*

Here's what's included in the Agreement:

- ☑ **Expert service** by our 12,000 professional repair specialists
- ☑ **Unlimited service and no charge** for parts and labor on all covered repairs
- ☑ **Product replacement** if your covered product can't be fixed
- ☑ **Discount of 10%** from regular price of service and service-related parts not covered by the agreement; also, 10% off regular price of preventive maintenance check
- ☑ **Fast help by phone** - phone support from a Sears technician on products requiring in-home repair, plus convenient repair scheduling

Once you purchase the Agreement, a simple phone call is all that it takes for you to schedule service. You can call anytime day or night, or schedule a service appointment online.

Sears has over 12,000 professional repair specialists, who have access to over 4.5 million quality parts and accessories. That's the kind of professionalism you can count on to help prolong the life of your new purchase for years to come. Purchase your Repair Protection Agreement today!

**Some limitations and exclusions apply.**  
**For prices and additional information call**  
**1-800-827-6655.**

## Sears Installation Service

*For Sears professional installation* of home appliances, garage door openers, water heaters, and other major home items, in the U.S.A. call **1-800-4-MY-HOME®**

# Manual del usuario

# CRAFTSMAN®

## 55cc 2 Tiempos SIERRA MECÁÓNICA DE GASOLINA

Modelo N. 316.350850

**INCREDI-PULL™**  
UNBELIEVABLE STARTING EASE™

Con **MAXFIRE**  **IGNITION™**



**RECAUCIÓN:** Antes de utilizar este producto, lea este manual y siga todas las instrucciones y reglas de seguridad y funcionamiento.

- SEGURIDAD
- ENSAMBLAJE
- FUNCIONAMIENTO
- MANTENIMIENTO
- LISTA DE COMPONENTES

Sears, Roebuck and Co., Hoffman Estates, IL 60179, U.S.A.  
Visite nuestra página web: [www.sears.com/craftsman](http://www.sears.com/craftsman)

## ÍNDICE

Garantía	Página 28	Mantenimiento y reparación	Páginas 41 - 47
Reglas de seguridad	Páginas 29 - 34	Resolución de problemas	Página 48
Información sobre combustible y engrase	Página 35	Especificaciones	Página 49
Instrucciones de arranque/parada	Páginas 36 -38	Componentes de reparación	Página 50
Funcionamiento	Páginas 39 - 40		

## DECLARACIÓN DE GARANTÍA

### UN AÑO DE GARANTÍA LIMITADA SOBRE LA SIERRA MECÁNICA DE GASOLINA CRAFTSMAN

Durante un año desde la fecha de compra, cuando se utilice y mantenga esta Sierra Mecánica según el manual del usuario, Sears reparará cualquier defecto de materiales o mano de obra sin ningún cargo.

Esta garantía excluye la barra, la cadena, el encendido y el filtro de aire, ya que son componentes que pueden gastarse por el uso en menos de un año.

Si esta Sierra Mecánica se utiliza con propósitos comerciales o de alquiler, esta garantía será aplicable solamente durante los 30 primeros días después de la fecha de compra.

### EL SERVICIO DE GARANTÍA ESTARÁ DISPONIBLE DEVOLVIENDO LA SIERRA MECÁNICA A LA TIENDA SEARS MÁS CERCANA O AL CENTRO DE REPARACIÓN DE SEARSE DE LOS ESTADOS UNIDOS.

Esta garantía le ofrece derechos legales específicos, aunque podrá tener otros derechos que variarán según su estado.

Sears, Roebuck and Co., Dept. 817WA, Hoffman Estates, IL 60179

### AVISO DE LA PROPOSICIÓN 65 DE CALIFORNIA

## AVISO

**L TUBO DE ESCAPE DEL MOTOR DE ESTE PRODUCTO CONTIENE COMPONENTES QUÍMICOS QUE EL ESTADO DE CALIFORNIA ADVIERTE QUE PUEDEN CAUSAR CÁNCER, DEFECTOS DE NACIMIENTO U OTROS DAÑOS REPRODUCTIVOS.**

### NOTA SOBRE EL ASPIRADOR DE CHISPAS


**NOTA:** Para usuarios de la Zona Forestal de los EE.UU. y en los estados de California, Maine, Oregon y Washington. Todas las Zonas Forestales de los EE.UU. y el estado de California (Códigos de Recursos Públicos 4442 y 4443), requieren, según la ley, que ciertos motores de combustión interna que operen en el bosque o en zonas cubiertas de hierba, se encuentren equipados y sean operados y mantenidos para prevenir los incendios. Compruebe la normativa de su estado si debe cumplir estos requisitos. Si no sigue estos requisitos podría verse sometido a una multa. **Esta unidad se encuentra equipada de fábrica con un aspirador de chispas.** Si debe ser reemplazado, consulte con Sears u otro proveedor de servicio autorizado para que le instale un **Kit Aspirador de Chispas.**



# REGLAS DE FUNCIONAMIENTO SEGURO

El propósito de los símbolos de seguridad es atraer su atención sobre posibles peligros. Los símbolos de seguridad y su explicación merecen su atención y comprensión. Las advertencias de seguridad no eliminan el peligro por sí mismas. Las instrucciones o advertencias que ofrecen no son sustitutos de ninguna medida de prevención de accidentes.

SÍMBOLO	SIGNIFICADO
---------	-------------

	<b>ALERTA DE SEGURIDAD:</b> Indica peligro, advertencia o precaución. Se requiere atención para evitar daños personales. Puede utilizarse con otros símbolos o pictogramas.
--	---


**NOTA:** Le avisa de información o instrucciones vitales para el funcionamiento del equipo.

Lea el Manual del Usuario y siga todas las advertencias e instrucciones de seguridad.

Si no lo hace pueden producirse daños en el operador y los que le rodean.

## • INSTRUCCIONES IMPORTANTES DE SEGURIDAD •

### LEA TODAS LAS INSTRUCCIONES DE ANTEMANO

	<b>ADVERTENCIA:</b> Utilizada correctamente, la sierra mecánica es una herramienta rápida y fácil de utilizar; utilizada incorrectamente o sin las debidas precauciones se convierte en un aparato peligroso. Para un trabajo placentero y seguro, siga siempre las reglas de seguridad contenidas en este manual.
--	--

- Lea detenidamente las instrucciones. Familiarícese con los controles y el uso adecuado de la unidad.
- No opera esta unidad si está cansado, enfermo o bajo la influencia del alcohol, drogas o medicamentos.
- Nos niños no deben operar la unidad. Los adolescentes deberán ser acompañados por un adulto.
- Sólo deben operar la sierra individuos responsables familiarizados con las instrucciones (ninguno menor de 16 años). Ofrezca protección parental permanentemente.
- Recoja su pelo por encima del hombro. No vista ropa suelta o bisutería; podrían quedar atrapadas en las partes móviles.
- Inspeccione la unidad antes de utilizarla. Reemplace todos los componentes dañados antes de comenzar a usarla. Asegúrese de que la unidad funciona correctamente.
- Conozca los controles y cómo detener la sierra rápidamente.

SÍMBOLO	SIGNIFICADO
---------	-------------



**PELIGRO:** Si no se obedece una advertencia pueden producirse daños personales a usted o a terceros. Siga siempre las precauciones de seguridad para reducir el riesgo de incendio o daños personales.



**ADVERTENCIA:** Si no se obedece una advertencia pueden producirse daños en usted o en otros. Siga siempre las instrucciones de seguridad para reducir el riesgo de incendio y daños personales.



**PRECAUCIÓN:** Si no obedece un aviso puede resultar dañada su propiedad o usted mismo. Siga siempre las precauciones para reducir el riesgo de incendio y daños personales.

- Transporte la sierra con el motor detenido, la guía y la sierra hacia detrás, y el silenciador alejado de su cuerpo.
- Al transportar la sierra, utilice la funda adecuada.
- Vista ropa protectora. Utilice siempre zapatos con punta de acero y suelas antideslizantes; ropa ajustada, guantes de trabajo, protectores de ojos y mascarilla; un casco de seguridad homologado; y protección para los oídos. Los usuarios frecuentes deberán pasar por controles auditivos debido a los daños que puede causar la sierra.

### OPERE SU SIERRA DE FORMA SEGURA

- No opere una sierra mecánica si está dañada, no calibrada adecuadamente o completamente ensamblada. Reemplace siempre la cadena, la barra, el freno y otros componentes antes de que se produzcan daños.
- No aplique excesiva fuerza sobre la sierra mecánica al final del corte. Podría perder el control de la unidad al finalizar el corte.
- Mantenga todas las partes de su cuerpo alejadas de la cadena cuando el motor esté en marcha.
- Nunca inicie la unidad en una habitación cerrada. Opere esta unidad en una zona exterior bien ventilada.
- Utilice la unidad a la luz del día o con una Buena iluminación artificial.

# REGLAS DE FUNCIONAMIENTO SEGURO

- Evite el encendido por accidente. Colóquese en posición de arranque al tirar de la cuerda de inicio. El operador y la unidad deberán estar en posición estable al arrancar. Consulte las instrucciones de Arranque/Parada.
- Antes de arrancar el motor, asegúrese de que el área alrededor de la sierra está libre. Nunca intente arrancar la sierra si la barra está en medio de un corte.
- No comience a cortar hasta que tenga una zona de trabajo libre, haya asegurado su posición y tenga un camino de huida para cuando el árbol se caiga.
- No opera una sierra mecánica que esté dañada, ajustada incorrectamente o no ensamblada correcta y seguramente. Asegúrese de que la cadena de la sierra se detiene cuando se suelta el gatillo de control.
- Apague el motor antes de dejar la sierra en el suelo.
- Tenga extreme cuidado al cortar ramas o árboles de pequeño tamaño, ya que podría atascarse material en la cadena y salir disparado hacia usted o provocar una pérdida de control.
- Al cortar una rama que se encuentre en tensión, tenga cuidado con el retroceso para no resultar dañado cuando se libere la tensión de las fibras de madera.
- No corte clavos, barras en el árbol, guías de ferrocarril o palets. Inspeccione los objetos extraños del árbol que vaya a cortar y que puedan causar daños en su sierra mecánica.
- Después de cortar un objeto extraño, detenga el motor e inspeccione la sierra en busca de daños. Repárela si fuese necesario.
- Mantenga las asas secas, limpias y libres de grasa/combustible.
- No le recomendamos que utilice la sierra mecánica sobre un árbol o escalera.

## MANTENGA SU SIERRA EN BUEN ESTADO DE FUNCIONAMIENTO

- Todas las reparaciones de la sierra que difieran de las listadas en este manual de instrucciones de mantenimiento, deben ser realizadas por un proveedor de servicio de Sears u otro cualificado al efecto.
- Asegúrese de que todas las sujeciones se encuentran bien colocadas y aseguradas.
- El reemplazo sin autorización de los componentes de reemplazo o la retirada de dispositivos de seguridad puede causar daños en la unidad y posibles daños al operador y los que le rodean. Utilice sólo accesorios de repuesto Craftsman de la forma recomendada. Nunca modifique la sierra.
- Cuando no se encuentre en uso, la sierra debe ser guardada en un lugar seco y seguro, fuera del alcance de los niños.
- Al guardar la sierra, utilice una funda o caja.

## MANEJE EL COMBUSTIBLE CON CUIDADO

- No fume mientras maneja el combustible o mientras opera la sierra.
- Elimine siempre todas las fuentes de chispas o llamas del lugar en el que se mezcla o deposita el combustible.
- Mezcle y deposite el combustible en una zona exterior, utilizando un contenedor aprobado y de una marca

conocida para todo el combustible. Limpie cualquier salpicadura de combustible antes de arrancar la sierra.

- Aléjese siempre al menos 10 pies (3 metros) desde el almacén de combustible antes de arrancar la sierra.
- Al rellenar el tanque, apague el motor y deje que la sierra se enfríe en una zona alejada del combustible, no la coloque sobre hojas secas, paja, papel, etc. Retire con cuidado la tapa del combustible y rellene el tanque.
- Almacene la unidad y el combustible en un espacio fresco, seco y bien ventilado, en el que los vapores del combustible no alcancen las chispas o llamas de los calefactores de agua, motores eléctricos o interruptores, hornos, etc.
- Todas las reparaciones de la sierra, distintas de aquellas listadas en este manual de instrucciones de mantenimiento, deben ser realizadas por el personal de Sears u otro personal cualificado al efecto.
- Utilice la herramienta adecuada. Utilice esta sierra únicamente para su propósito, para cortar madera.
- Nunca toque la cadena ni intente reparar la sierra con el motor en marcha. Asegúrese de que todas las partes móviles se han detenido. Deje que la sierra se enfríe, ya que la cadena podría estar caliente.
- Compruebe la barra y la cadena a intervalos frecuentes para un ajuste adecuado. Asegúrese de que la barra y la cadena se encuentran afiladas y colocadas correctamente. Inspeccione visualmente en busca de daños. Repare cualquier daño antes de reiniciar u operar la sierra mecánica.



**ADVERTENCIA:** Pueden darse reacciones violentas cuando la cadena toque un objeto, o al acercar la sierra a la Madera para iniciar el corte. El contacto breve puede causar en ocasiones reacciones violentas, haciendo retroceder la sierra hacia arriba y hacia atrás contra el operador. Si presiona la cadena de la sierra por encima de la guía, podrá darse una reacción inversa hacia el operador. Cualquiera de estas reacciones puede provocar una pérdida de control de la sierra, que podría resultar en serios daños personales. No se fíe únicamente de los dispositivos de seguridad de su sierra. Como usuario de una sierra mecánica deberá tomar las medidas adecuadas para no provocar accidentes al realizar los cortes.

## PRECAUCIONES DE SEGURIDAD ANTE REACCIONES VIOLENTAS

- Con una comprensión básica de la reacción violenta, puede reducir o eliminar los elementos de sorpresa. Las sorpresas repentinas pueden contribuir a provocar accidentes. Esté atento a las posibles reacciones en todo momento.
- Sujete la sierra con firmeza y con las dos manos, la mano derecho sobre el asa posterior y la mano izquierda sobre el asa frontal, mientras el motor esté en marcha. Coloque los pulgares y los dedos alrededor de las asas de la sierra mecánica. Una buena sujeción reducirá los efectos de una reacción violenta y le ayudará a mantener el control sobre la sierra.

# REGLAS DE FUNCIONAMIENTO SEGURO

- Asegúrese de que la zona en la que está cortando no existen obstrucciones. No deje que la punta de la guía entre en contacto con un tronco, rama, alambrada o cualquier otra obstrucción que pueda encontrarse mientras opera la sierra.
- Corte siempre con el motor en marcha y a toda velocidad. Apriete el gatillo y mantenga una velocidad de corte estable.
- Utilice solo las barras, cadenas y otros componentes y accesorios del fabricante. Los encontrará en un distribuidor de Sears u otros establecimientos autorizados. El uso de componentes sin autorización podría provocar daños en el usuario o en la unidad, y violará su garantía.
- Siga las instrucciones de afilado y mantenimiento del fabricante para la sierra mecánica.
- Utilice solo barras de reemplazo y cadenas específicas para su sierra para evitar cualquier daño.
- Esté atento a los troncos en desplazamiento u otras fuerzas que podrán caer sobre la cadena.
- Utilice la sierra a toda velocidad al entrar en un corte anterior. Tenga cuidado al introducirse en un corte anterior.
- No inicie un corte utilizando la punta de la sierra.

## OTRAS PRECAUCIONES DE SEGURIDAD

- No opere la sierra mecánica con una sola mano! Pueden producirse serios daños en el operador, sus ayudantes, aquellos que los rodeen, o cualquier combinación de estas personas. Una sierra mecánica se diseña para utilizarla con dos manos.
- No opere la sierra mecánica si está cansado.
- Utilice calzado de seguridad; ropa ajustada, guantes protectores; y dispositivos de protección de ojos, oídos y cabeza.
- No permita que otras personas se encuentren cerca de la sierra mecánica al arrancar o cortar con la sierra. Aleje a otras personas o animales de la zona de trabajo.
- Ni retire, dañe ni desactive ningún dispositivo de seguridad. Nunca utilice una sierra mecánica dañada, modificada o reparada incorrectamente. Compruebe el funcionamiento correcto regularmente. Utilice solo las barras y cadenas de la longitud indicada en la tabla contenida en este manual.
- No lleve a cabo ninguna operación o reparación usted mismo que difieran de las rutinas de mantenimiento listadas en este manual.
- Tenga cuidado al derribar un árbol. Asegúrese de haber planeado una ruta de escape para la caída, y mantenga alejadas a otras personas.
- Tenga cuidado; detenga la máquina si alguien entra en la zona de cortado, que generalmente son 3 o 4 pies (1 o 2 metros) alrededor del operador.
- Tenga cuidado al trabajar en grupo para evitar daños a otros trabajadores que entren en la zona de cortado.
- Entregue su sierra solamente a usuarios experimentados que se encuentren completamente familiarizados con el funcionamiento y uso correcto de la sierra.

Entregue este manual a otros usuarios, que deberán leerlo antes de utilizar la sierra.

- Detenga el motor antes de soltar la sierra. No deje el motor en marcha y sin atención.
- No guarde la unidad, con combustible en el tanque, en el interior de un edificio donde los vapores puedan alcanzar una llama o chispa.
- Deje que el motor se enfríe antes de guardar o transportar la sierra mecánica a largas distancias. Por ejemplo, deje que el motor se enfríe antes de colocar la sierra mecánica en un automóvil. Además, asegúrese de asegurar la unidad durante el transporte.
- Guarde la unidad en un lugar seco, cerrado, alto y fuera del alcance de los niños para evitar el uso no autorizado.
- No deje penetrar el agua ni cualquier otro líquido en la unidad. Mantenga sus manos secas, limpias y sin impurezas. Límpielas después de cualquier uso.
- Conserve estas instrucciones. Consúltelas a menudo y utilícelas para instruir otros usuarios. Si presta la unidad a otra persona, préstele también estas instrucciones.
- No utilice la unidad bajo la lluvia, durante una tormenta o clima tempestuoso.

## SEGURIDAD DE COMBUSTIBLE

- Guarde el combustible en contenedores diseñados específicamente y homologados para el almacenamiento de tales materiales.
- Detenga siempre el motor y deje que se enfríe antes de rellenar el tanque. No retire la tapa del tanque de combustible, ni añada combustible cuando el motor esté caliente. Nunca opere la unidad sin la tapa de combustible. Afloje lentamente la tapa del combustible para liberar cualquier presión en el tanque.
- Añada combustible en una zona exterior limpia y bien ventilada en la que no existan chispas ni llamas. Retire lentamente la tapa del combustible después de detener el motor. No fume mientras rellena el tanque de combustible. Limpie cualquier salpicadura de la unidad inmediatamente.



**ADVERTENCIA:** La gasolina es altamente inflamable, y sus vapores pueden explotar si entran en combustión. Tome las siguientes medidas:

- Evite que el combustible salpicado entre en combustión. No arranque el motor hasta que se disipen los vapores.
- Mueva la unidad al menos 30 pies (9,1 m) desde la fuente de combustible y colóquela en el suelo antes de arrancar el motor. No fume. Manténgase alejado de llamas y chispas en el lugar en el que rellene el tanque de combustible u opere con la unidad.

## GUARDE ESTAS INSTRUCCIONES

# REGLAS DE FUNCIONAMIENTO SEGURO

## SEGURIDAD Y SÍMBOLOS INTERNACIONALES

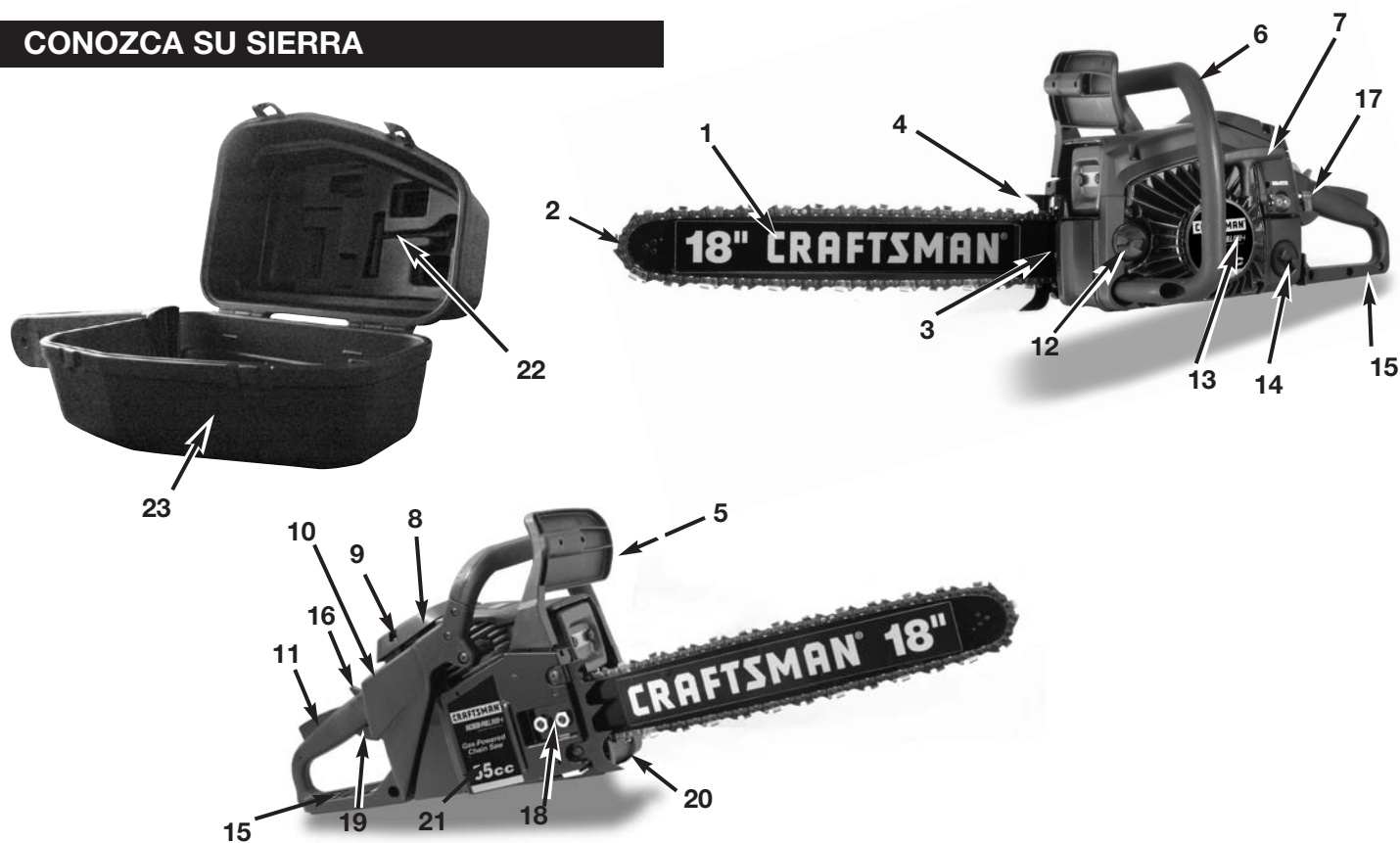
Este manual del usuario describe los símbolos de seguridad internacionales que pueden aparecer en este producto. Lea el manual del usuario para obtener información sobre seguridad, ensamblaje, funcionamiento y mantenimiento.

SÍMBOLO	SIGNIFICADO	SÍMBOLO	SIGNIFICADO
	<ul style="list-style-type: none"> <li>• <b>SÍMBOLO ALERTA DE SEGURIDAD</b> Indica peligro, advertencia o precaución. Puede utilizarse en conjunto con otros símbolos o pictogramas.</li> </ul>		<ul style="list-style-type: none"> <li>• <b>CONTROL ENCENDIDO/APAGADO ENCENDIDO / INICIO / MARCHA</b></li> </ul>
	<ul style="list-style-type: none"> <li>• <b>LEA EL MANUAL DEL USUARIO</b> <b>ADVERTENCIA:</b> Lea el Manual del Usuario y siga las advertencias e instrucciones. Si no lo hace puede provocar serios daños al operador o los que lo rodean.</li> </ul>		<ul style="list-style-type: none"> <li>• <b>CONTROL ENCENDIDO/APAGADO APAGADO O DETENIDO</b></li> </ul>
	<ul style="list-style-type: none"> <li>• <b>UTILICE PROTECCIÓN PARA OJOS, OÍDOS Y CABEZA</b> <b>ADVERTENCIA:</b> Los objetos lanzados y los ruidos potentes pueden dañar los ojos y el oído. Utilice protección ocular según la norma ANSI Z87.1-1989 y protección auditiva al utilizar esta unidad. Utilice casco. Utilice una máscara si es necesario.</li> </ul>		<ul style="list-style-type: none"> <li>• <b>BARRA DE GUÍA</b> <b>ADVERTENCIA:</b> El contacto de la punta de la barra de guía con cualquier objeto debe evitarse. Este contacto puede causar que la guía se mueva repentinamente hacia arriba y hacia atrás, causando graves daños.</li> </ul>
	<ul style="list-style-type: none"> <li>• <b>GASOLINA SIN PLOMO</b> Utilice gasolina sin plomo limpia y fresca.</li> </ul>		<ul style="list-style-type: none"> <li>• <b>UTILICE AMBAS MANOS</b> Utilice siempre ambas manos mientras opera la sierra mecánica. Nunca opere la sierra con una sola mano.</li> </ul>
	<ul style="list-style-type: none"> <li>• <b>ACEITE</b> Consulte el manual del usuario para conocer el tipo correcto de aceite.</li> </ul>		<ul style="list-style-type: none"> <li>• <b>POSICIONES DEL ESTRANGULADOR</b> <ol style="list-style-type: none"> <li>1 Estrangulamiento TOTAL</li> <li>2 Estrangulamiento PARCIAL</li> <li>3 Posición en MARCHA</li> </ol> </li> </ul>



# REGLAS DE FUNCIONAMIENTO SEGURO

## CONOZCA SU SIERRA



### COMPONENTES DE LA SIERRA

1. BARRA DE GUÍA
2. CADENA DE SIERRA
3. TORNILLO DE AJUSTE DE CADENA DE SIERRA.
4. PANTALLA DE ASPIRADOR DE CHISPAS
5. PALANCA DE FRENO DE CADENA®
6. ASA FRONTAL
7. ASA DE ARRANQUE
9. CUBIERTA DE FILTRO DE AIRE
10. CONMUTADOR DE PARADA
11. GATILLO DE SEGURIDAD
12. TAPA DEL TANQUE DE ACEITE
13. TAPA DEL ARRANQUE
14. TAPA DEL TANQUE DE COMBUSTIBLE
15. ASA TRASERA / BUBLE DE INICIO
16. PESTAÑA DE ACELERADOR
17. PALANCA DE ESTRANGULADOR
18. TUERCAS RETENEDORAS DE BARRA
19. ACELERADOR / GATILLO
20. RECOJEDOR DE CADENA
21. TAPA DE FRENO DE CADENA®
22. HERRAMIENTA MULTIPROPÓSITO
23. CARCASA DE TRANSPORTE

### CARACTERÍSTICAS DE SEGURIDAD

2. **BAJA REACCIÓN DE CADENA** ayuda a reducir significativamente la reacción, o la intensidad de la reacción, debido a un diseño especial de calibres y enlaces de guarda.
3. **TORNILLO DE AJUSTE DE SIERRA** Es normal para una sierra mecánica nueva apretarse después de los primeros 30 minutos de uso. Compruebe la tensión de la sierra de cadena regularmente para asegurar el mejor rendimiento, consulte **AJUSTE DE LA CADENA DE LA SIERRA** en **INSTRUCCIONES DE REPARACIÓN Y MANTENIMIENTO**.
5. **FRENO DE CADENA(r) PALANCA / GUARDAMANOS** protege la mano izquierda del operador en el caso de que resbale del asa frontal mientras la sierra está en marcha.  
El **FRENO DE CADENA(r)** es una función de seguridad diseñada para reducir la posibilidad de daños debidos a la reacción por detener una sierra en movimiento en milisegundos. Se activa por medio de la palanca de **FRENO DE CADENA®**
10. **CONMUTADOR DE PARADA** detiene inmediatamente el motor cuando se pulsa. El conmutador de parada debe pulsarse hacia abajo para arrancar o reiniciar el motor.
11. **GATILLO DE SEGURIDAD** previene la aceleración accidental del motor. El gatillo (19) no puede apretarse si el gatillo de seguridad no está pulsado.
17. **PALANCA DE ESTRANGULADOR** ayuda a arrancar el motor.
19. **GATILLO ACELERADOR** controla la velocidad del motor.
20. **RECOJEDOR DE CADENA** reduce el peligro de daños en el caso de que la cadena se rompa o se salga del rail durante el funcionamiento. El recogedor de cadena ha sido diseñado para interceptar una cadena descontrolada.



# REGLAS DE FUNCIONAMIENTO SEGURO

## ESPECIFICACIONES DE REACCIÓN



**ADVERTENCIA:** Kickback can lead to dangerous loss of control of the chain saw and result in serious or fatal injury to the saw operator or to anyone standing close by. Always be alert. Rotational kickback and pinch-kickback are major chain saw operational dangers and the leading cause of most accidents.

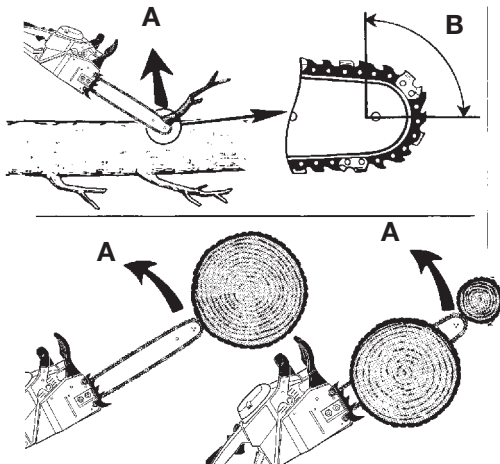
Pueden darse REACCIONES cuando la PUNTA o el LADO de la guía toque un objeto, o al acercarse a la Madera y la cadena comience el corte.

El contacto lateral puede causar en algunos casos una reacción inversa, golpeando la barra hacia arriba y hacia atrás contra el operador.

Cualquiera de esas reacciones puede hacer que pierda el control de la sierra, lo cual podría resultar en serios daños personales.

### Reacción rotacional

La reacción rotacional puede darse cuando la cadena en movimiento entra en contacto con un objeto en la parte superior de la guía. Este contacto puede causar que la cadena se hunda en el objeto, lo cual detendrá la cadena durante un instante. El resultado es una reacción rápida e inversa que empuja la guía hacia arriba y hacia atrás contra el operador.



A = Dirección de reacción

B = Zona de reacción

Fig. 1

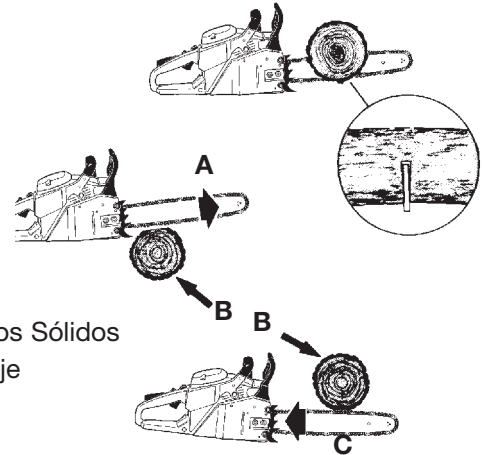
## ESPECIFICACIONES DE REACCIÓN

### Reacción de pellizcado

La reacción de pellizcado puede darse cuando la cadena de la sierra quede pellizcada por la parte superior o inferior de la guía.

Si el pellizco se da en la parte inferior de la barra, puede tirar de la sierra hacia delante, alejándola del operador.

Si se pellizca en la parte superior, puede empujar la guía rápidamente hacia el operador.



A = Tiro

B = Objetos Sólidos

C = Empuje

Fig. 2

# INFORMACIÓN SOBRE GASOLINA Y ENGRASE

## MEZCLA DE GASOLINA Y ENGRASE

La gasolina vieja y/o mal mezclada son las principales razones de que la unidad no funciona correctamente. Asegúrese de utilizar gasolina fresca (menos de 60 días) sin plomo. Siga las instrucciones para administrar la gasolina y el aceite correctamente.

### Definición de combustibles mezclados

Los combustibles de hoy en día son una mezcla de gasolina y oxigenados como etanol metanol o MTBE (éter). La gasolina mezclada con alcohol absorbe agua. Tan solo un 1% de agua puede separar el combustible del aceite y provocar la formación de ácidos durante el almacenamiento. Al utilizar combustible mezclado con alcohol, utilice combustible fresco.

### Uso de Combustibles Mezclados


Si escoge utilizar un combustible mezclado, o no puede utilizar otro, tenga en cuenta estas precauciones:

- Utilice siempre la mezcla de combustible explicada en su manual del usuario
- Mezcle bien el combustible antes de rellenar el tanque
- Drene el tanque y seque el motor antes de guardar la unidad

### Uso de Aditivos

La botella de aceite de 2 tiempos que viene con su unidad contiene un aditivo de combustible que permitirá inhibir la corrosión y minimizará la formación de depósitos. Se recomienda que utilice nuestro aceite de 2 tiempos en esta unidad.



Si no es posible, utilice un buen aceite de 2 tiempos para motores refrigerados por aire con un aditivo de combustible, como el estabilizador STA-BIL(r) Gas Stabilizer o un equivalente. Añada 0,8 oz. (23 ml.) de combustible por galón de combustible según las instrucciones del contenedor. NUNCA añada aditivos de combustible directamente en el tanque de combustible de la unidad.

	<p><b>PRECAUCIÓN:</b> Para un funcionamiento óptimo del motor y una máxima fiabilidad, ponga atención a las instrucciones de mezcla de gasolina y aceite en el contenedor de 2 tiempos. Si utiliza combustible mal mezclado, podría dañar el motor.</p>
--	---


### Para conseguir la Mezcla Correcta de Combustible:


Mezcle la proporción adecuada de aceite para motor de 2 tiempos con gasolina sin plomo en un recipiente separado. Utilice una proporción de gasolina/aceite de 40:1. No las mezcle directamente en el tanque de gasolina. Consulte la siguiente tabla para conocer las proporciones de mezcla específicas.

**NOTA:** Un galón (3,8 litros) de gasolina sin plomo mezclada con una botella de 3,2 oz. (95 ml) de aceite para 2 tiempos creará una proporción combustible/aceite de 40:1

	+	
<b>GASOLINA SIN PLOMO</b>		<b>ACEITE PARA 2 TIEMPOS</b>
<b>1 GALÓN (3,8 LITROS)</b>		<b>3,2 FL. OZ. (95 ml)</b>
<b>1 LITRO</b>		<b>25 ml</b>

**PROPORCIÓN DE MEZCLA - 40:1**

	<p><b>ADVERTENCIA:</b> La gasolina es muy inflamable. Los vapores emitidos pueden explotar. Detenga siempre el motor y deje que se enfríe antes de rellenar el tanque. No fume mientras rellena el tanque. Evite las chispas y las llamas.</p>
---	--

	<p><b>ADVERTENCIA:</b> Quite la tapa del tanque con cuidado. No opere la unidad sin la tapa del tanque colocada correctamente.</p>
---	--

	<p><b>ADVERTENCIA:</b> Añada combustible en una zona exterior limpia y bien ventilada. Limpie cualquier salpicadura inmediatamente. Evite crear una fuente de ignición con el combustible salpicado. No arranque el motor hasta que se disipen los vapores de combustible.</p>
---	--

**NOTA:** Disponga el combustible/aceite según la normativa Federal, Estatal y Local.

# INSTRUCCIONES DE MARCHA/PARADA



**ADVERTENCIA:** Opere esta unidad en una zona bien ventilada. Los vapores de monóxido de carbono pueden ser letales en zonas confinadas.



**ADVERTENCIA:** Nunca opere la sierra sin la barra y la cadena instaladas correctamente.

## ANTES DE ARRANCAR EL MOTOR

**ADVERTENCIA:** Asegúrese de leer la sección Información sobre Gasolina y Engrase de este manual antes de empezar. Si no comprende esta información, no intente repostar la unidad. Para más información, póngase en contacto con su centro de servicio Sears en 1-800-4-MYHOME®.

## ENGRASE DE GUÍA Y CADENA

La barra y la cadena requieren lubricante. En engrase de la cadena suministra lubricación continua a la cadena y a la guía. Asegúrese de rellenar el tanque de aceite al rellenar el tanque de combustible. (Capacidad = 6,8 fl. oz.). La falta de aceite estropeará la cadena y la barra. La escasez de aceite causará calentamiento y humos. Para optimizar la vida de la cadena y la barra, le recomendamos que utilice aceite para sierras Craftsman. Si no dispone de aceite para barras Craftsman, puede usar un aceite de grado SAE 30 hasta que pueda obtener la marca Craftsman. La salida de aceite se mide automáticamente durante el funcionamiento. Su sierra usará un tanque de aceite para barra por cada tanque de combustible. Rellene siempre el depósito de aceite de la barra al rellenar el tanque.

## REPOSTAR EL MOTOR

**ADVERTENCIA:** Quite la tapa del combustible con cuidado.

Este motor ha sido certificado para funcionar con gasolina sin plomo. Antes del funcionamiento, debe mezclarse la gasolina con un buen aceite para motor de 2 tiempos refrigerado por aire. Le recomendamos el aceite sintético Craftsman. Mezcle gasolina y aceite en una proporción de 40:1. La proporción 40:1 se consigue mezclando 3,2 onzas de aceite con 1 galón de gasolina sin plomo. Con esta sierra se incluye un contenedor para aceite de 3,2 onzas. Vierta el contenido de este contenedor en un galón de gasolina para conseguir la mezcla correcta. NO use aceite para automóviles o barcos. Estos aceites pueden dañar el motor. Al mezclar combustible, siga las instrucciones impresas en el contenedor de aceite. Una vez añadido el aceite, agite el contenedor. Lea siempre las reglas de seguridad antes de repostar la unidad.

## IMPORTANTE:

La Experiencia indica que el alcohol mezclado con gasolina (llamado gasohol o utilizando etanol o metanol) puede atraer la humedad y provocar la separación y la formación de ácidos durante el almacenamiento. Los gases acídicos pueden dañar el sistema de combustible de un motor mientras está almacenado. Para evitar estos problemas, el sistema de combustible debe ser vaciado antes de almacenarlo durante 30 días o más. Vacíe el tanque de gasolina, inicie el motor y déjelo funcionar hasta que se vacíen las líneas de combustible y el carburador. Utilice combustible fresco la próxima vez. Nunca utilice productos de limpieza para motor o carburador en el tanque de combustible o podría provocar daños permanentes. Consulte las instrucciones de ALMACENAMIENTO para más información.

## FRENO DE CADENA

Asegúrese de que el freno de la cadena está desconectado tirando del guardamanos frontal hasta el asa frontal tanto como sea posible. El freno de cadena debe estar desconectado antes de cortar con la sierra.

**ADVERTENCIA:** El freno de cadena no debe moverse cuando el motor funcione al ralentí. Si se mueve el freno de cadena al ralentí, consulte AJUSTE DEL CARBURADOR en este manual. Evite el contacto con el silenciador caliente puede causar serias quemaduras.

## PUNTOS IMPORTANTES A RECORDAR

Al tirar de la cuerda de arranque, no utilice toda la longitud de la cuerda ya que podría romperla. No deje que la cuerda se enrolle por sí misma. Sostenga el asa y enróllela lentamente. Para arrancar en climas fríos, arranque el motor con ESTRANGULAMIENTO TOTAL; deje que el motor se caliente antes de apretar el gatillo del acelerador.

**NO** intente cortar material con la palanca del estrangulador/ralentí en la posición ESTRANGULACIÓN COMPLETA

# INSTRUCCIONES DE MARCHA/PARADA

## INSTRUCCIONES DE PARADA

1. Suelte el gatillo y deje que el motor vuelva al ralentí.
2. Mueva el conmutador PARADA hacia arriba hasta la posición PARADA (Fig. 4).

**NOTA:** Para detenciones de emergencia, presione la palanca del freno de cadena/guardamanos (C) hacia delante y mueva hacia arriba el conmutador de PARADA (Fig. 3, 4)

## ARRANCAR UN MOTOR FRÍO

Para añadir correctamente el combustible mezclado al tanque (A) y para añadir aceite para barra y cadena al tanque de aceite (B). Asegúrese de que el freno de cadena está desactivado (C) antes de iniciar la unidad.

1. Deslice el conmutador PARADA hacia abajo (Fig. 4). La **palanca roja de estrangulador (H)** tiene 3 posiciones: Posiciones 1, 2 y 3 (Fig. 6).
2. Presione y suelte totalmente el cebador (G) 10 veces, lentamente. Se hará visible algo de combustible en el cebador (Fig. 5). Si no ve combustible en la válvula, presione y suelte la válvula tantas veces como sea necesario hasta que pueda ver el combustible.
3. Mueva la **palanca roja de estrangulador (H)** a la Posición 1 (Fig. 6).

**NOTA:** Esta unidad no funcionará con la palanca en la Posición 1.

4. Coloque la sierra en una superficie plana y firme. Sostenga la sierra con firmeza (Fig. 7).

**NOTA:** La unidad utiliza el sistema de arranque **INCREDI-PULL™** con **MAX FIRE IGNITION™**, que reduce significativamente el esfuerzo necesario para arrancar el motor. Debe tirar de la cuerda de arranque lo suficiente para oír el intento de arranque. No es necesario tirar rápidamente de la cuerda - no encontrará resistencia al tirar. Tenga cuidado ya que este método de arranque es muy diferente (y mucho más sencillo) que los métodos a los que podría estar acostumbrado.

5. Empuje hacia abajo el gatillo de seguridad (E) y apriete el acelerador (D). Con el pulgar, presione la pestaña de aceleración (F). Suelte antes el gatillo (D). Así se bloqueará el acelerador en posición abierta (Fig. 3). Tire de la cuerda con un movimiento estable y controlado 4 veces.
6. Mueva después la **palanca del estrangulador (H)** a la Posición 2, asegurándose de mantener bloqueado el gatillo del acelerador. Sostenga la sierra firmemente y tire de la cuerda hasta que arranque. Podría tener que tirar hasta 4 veces.
7. Deje que la sierra se caliente durante 10 segundos. Suelte el gatillo de aceleración (D).
8. Mueva la palanca roja de estrangulador (H) a la Posición 3. Si el motor no arranca, repita los pasos. Si sigue sin arrancar, realice la comprobación del freno de cadena descrita en la página siguiente.

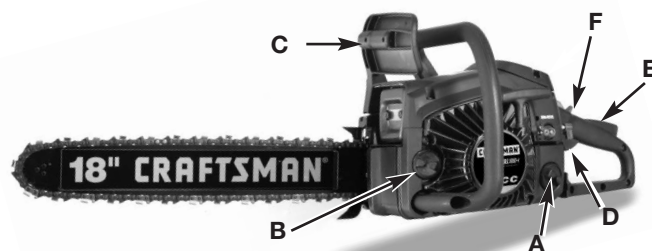


Fig. 3



Conmutador de Parada

Fig. 4



Fig. 5



Fig. 6

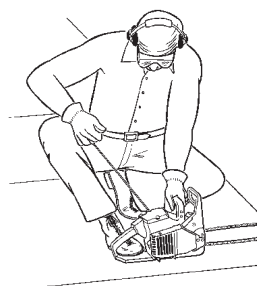


Fig. 7



# INSTRUCCIONES DE MARCHA/PARADA


9. Si la unidad al ralentí vacila, existe un orificio de ajuste de ralentí (L) (Fig. 8). Utilizando un destornillador Phillips o plano, gire el tornillo 1/4 o 1/2 vuelta hacia la derecha. Así conseguirá ajustar el ralentí de forma adecuada (Fig. 9).

**NOTA:** Si la cadena gira durante el ralentí - gire el tornillo de nuevo a la izquierda hasta que deje de girar la cadena.

## ARRANCAR UN MOTOR CALIENTE

1. Vuelva al paso 6. Siga los pasos hasta el paso 8.
2. Mueva entonces la **palanca de estrangulador** (H) a la posición 3 y libere el gatillo del acelerador (D).

	<b>ADVERTENCIA:</b> Active el freno de cadena® lenta y deliberadamente. No deje que la cadena entre en contacto con nada; no deje avanzar la punta de la sierra.
--	--

	<b>ADVERTENCIA:</b> Si la cadena no se detiene, apague el motor y lleve su unidad al Centro de Servicio Autorizado más cercano.
--	---

## COMPROBACIÓN DE FRENO DE CADENA

1. Coloque la sierra en una superficie firme y plana.
2. Con el freno de cadena desactivado, arranque el motor.
3. Agarre el asa posterior (A) con su mano derecha (Fig. 10).
4. Con su mano izquierda, sostenga el asa frontal (B) [no la palanca del Freno de Cadena® (C)] firmemente (Fig. 10).
5. Apriete el gatillo acelerador hasta 1/3, y active inmediatamente el Freno de Cadena® pulsándolo hacia delante (C) (Fig. 10).
6. La cadena podría detenerse de forma abrupta. Si lo hace, libere inmediatamente el acelerador/gatillo.
7. Si el Freno de Cadena funciona correctamente, apague el motor y vuelva a colocar el Freno de Cadena en la posición DESACTIVADO.

## Lubricado de la Cadena

El lubricado adecuado de la cadena de la sierra es esencial en todo momento para minimizar la fricción con la barra de guía. No deje que se agote el aceite de la barra y la cadena. Si hace funcionar la sierra con muy poco aceite disminuirá la eficiencia de cortado, acortará la vida de la cadena y causará desgaste en la barra debido al sobrecalentamiento. La ausencia de aceite viene evidenciada por el humo, decoloración de la barra y ruidos agudos.

## Lubricador automático

Su sierra mecánica viene equipada con un sistema lubricador automático. El lubricador suministra automáticamente la cantidad adecuada de aceite a la barra y la cadena. Cuando aumenta la velocidad del motor, también lo hace el flujo de aceite en la cadena. La cantidad de aceite que fluye hacia la barra y la cadena puede cambiarse

girando el tornillo de ajuste (D) con pequeño destornillador, como se muestra en la Fig. 11. Gire el destornillador a la derecha para DISMINUIR el flujo de aceite y a la izquierda para AUMENTARLO.



Fig. 8

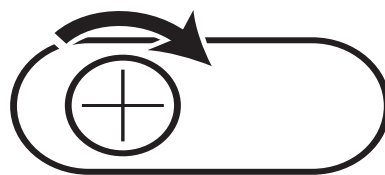


Fig. 9

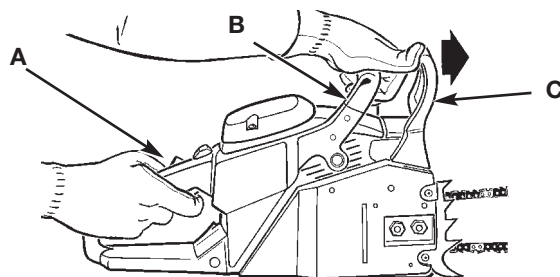


Fig. 10

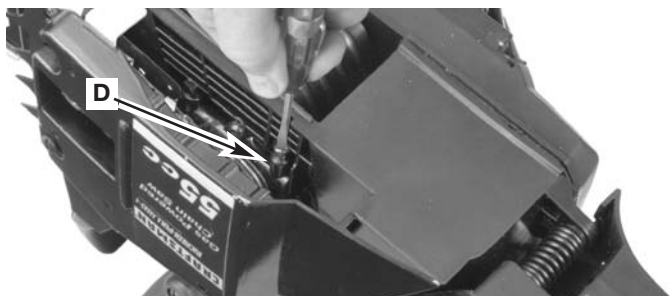


Fig. 11



# INSTRUCCIONES DE FUNCIONAMIENTO

## CAÍDA

La caída es el término utilizado para cortar un árbol. Los árboles pequeños de entre 6 y 7 pulgadas (15 a 18 cm) de diámetro pueden cortarse normalmente de una sola vez. Los árboles más grandes deben cortarse utilizando una mella. La mella determina la dirección en la que caerá el árbol.



**ADVERTENCIA:** Debe planearse una ruta de escape (A) antes de iniciar el corte. La ruta de escape debe establecerse hacia detrás y diagonalmente a la línea de caída esperada, como ilustra la Fig. 12.



**PRECAUCIÓN:** Si el árbol cae sobre un terreno en pendiente, el operador de la sierra deberá mantenerse en la parte superior del terreno, ya que el árbol rodará probablemente hacia abajo.

**NOTA:** La dirección de caída (B) se controla por la mella. Antes de cualquier corte, considere la localización de las ramas más grandes y el apoyo natural del árbol para determinar en qué dirección caerá.

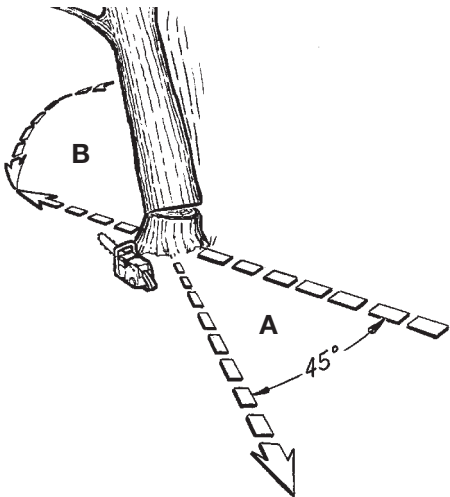


Fig. 12



**ADVERTENCIA:** No corte un árbol si hay viento fuerte o existe peligro para la propiedad. Consulte con un profesional. No corte un árbol si va a poner en peligro cables eléctricos; póngase en contacto con la compañía antes de hacer el corte.

Normalmente, la caída se compone de 2 operaciones, mella (C) y corte de caída (D) (Fig. 13).

Comience la mella (C) en el lado que apunte a la dirección de caída (E). No haga este corte demasiado profundo en el tronco (Fig. 13).

La mella (C) debe tener profundidad suficiente para crear una bisagra (F) con la fuerza y la anchura suficiente. La mella debe ser lo suficientemente ancha para controlar la caída del árbol tanto tiempo como sea posible (Fig. 13).



**ADVERTENCIA:** Nunca camine frente a un árbol con una mella hecha. Durante la caída, aléjese unas 2 longitudes de árbol de sus colaboradores.

Haga el corte de caída (D) desde el otro extremo del árbol 1,5 - 2,0 pulgadas (3-5 cm) por encima del eje de la mella (C) (Fig. 13).

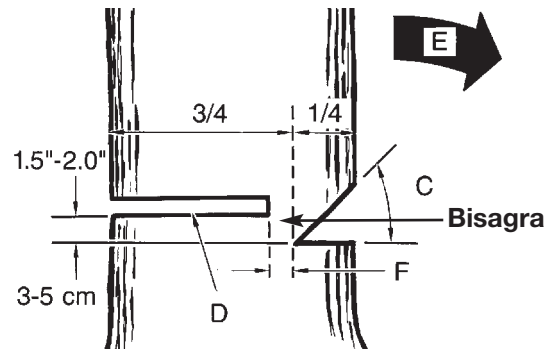


Fig. 13

No sierre el tronco totalmente, deje siempre una bisagra. La bisagra guiará el árbol. Si corta el árbol totalmente, perderá el control de la dirección de caída.



**ADVERTENCIA:** Antes de hacer el corte final, vuelva a comprobar la zona por si existen personas o animales en peligro.

Inserte una cuña o palanca de caída en el corte antes de que el árbol se desestabilice. Asegúrese de que no se ha equivocado al estimar la dirección de caída. Asegúrese de que no existen personas ni animales en la zona antes de derribar el árbol.

Corte de Caída:

1. Utilice cuñas de madera o plástico (G) para evitar que la barra o la cadena se queden atascadas (H) en el corte. La cuña también controlará la caída (Fig. 14).
2. Cuando el diámetro del tronco sea mayor que la longitud de la barra, Realice dos cortes, como se muestra en la (Fig. 15).



**ADVERTENCIA:** Cuando el corte se aproxime a la bisagra, el árbol comenzará a caerse. En ese momento debe retirar la sierra del corte, parar el motor, dejar la sierra en el suelo, y abandonar la zona siguiendo la ruta de escape (Fig. 12).

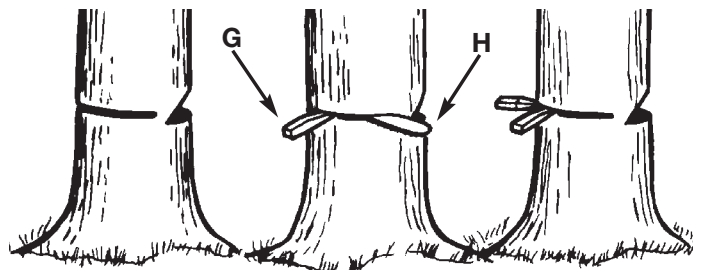


Fig. 14

# INSTRUCCIONES DE FUNCIONAMIENTO

1. Tronco soportado por toda su longitud: Corte desde arriba, teniendo cuidado de no cortar el suelo (Fig. 17).
2. Tronco soportado en 1 extremo: Primero, corte desde abajo 1/3 del diámetro del tronco para evitar que se astille. Después, corte desde arriba coincidiendo con el primer corte y evitando el pellizcado (Fig. 18).
3. Tronco soportado por ambos extremos: Primero, corte por encima 1/3 del diámetro del tronco para evitar el astillado. Después, corte por debajo coincidiendo con el primero corte y evitando el pellizcado (Fig. 19).

**NOTA:** La mejor forma de sostener un tronco al trocearlo es utilizar caballete. Si no es posible, el tronco debe ser elevado y soportado entre varias ramas o utilizando otros troncos de soporte. Asegúrese de que el tronco se encuentra bien soportado.

Fig. 15

## PELAR

Pelar un árbol es el proceso de quitar las ramas de un árbol caído. No quite las ramas de soporte (A) hasta después de que el tronco haya sido cortado en trozos (Fig. 16). Debe cortar las ramas en tensión de abajo arriba para evitar que se atasque la sierra.



Fig. 16

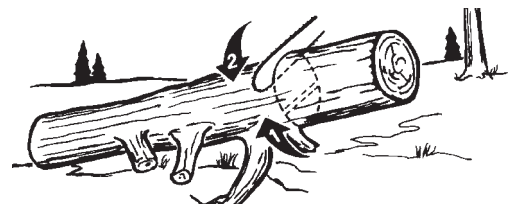


Fig. 18

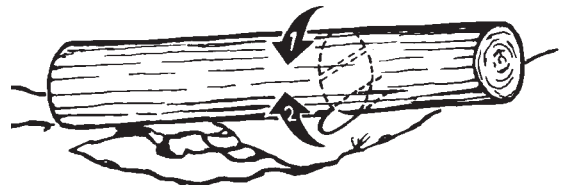


Fig. 19

## TROCEAR UTILIZANDO UN CABALLETE

Para su seguridad personal y mayor facilidad de corte, la posición correcta de troceado vertical es esencial (Fig. 20).

- A. Sostenga firmemente la sierra con ambas manos y manteniéndola a su derecha.
- B. Mantenga el brazo izquierdo lo más recto posible.
- C. Sostenga su peso sobre ambos pies.



**PRECAUCIÓN:** Mientras la sierra esté cortando, asegúrese de que la cadena y la barra están bien lubricadas.

**ADVERTENCIA:** Nunca corte las ramas del árbol mientras está sobre el tronco.

## TROCEADO

Trocear es cortar un tronco caído en trozos. Asegúrese de que posee una superficie firme para cortar si se encuentra en pendiente. Si es posible, el tronco debe cortarse de modo que el extremo del corte no se encuentre en el suelo. Si el tronco está soportado por los dos extremos y tiene que cortar en el centro. Haga un corte hacia abajo por la mitad y corte después desde debajo. Así evitará que el tronco atasque la sierra. Tenga cuidado de que la cadena no toque el suelo ya que ello desgastaría rápidamente la cadena.

Al trocear en una pendiente, manténgase en la parte superior.

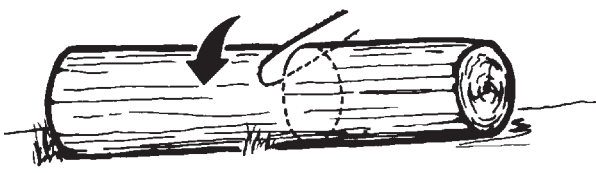


Fig. 17

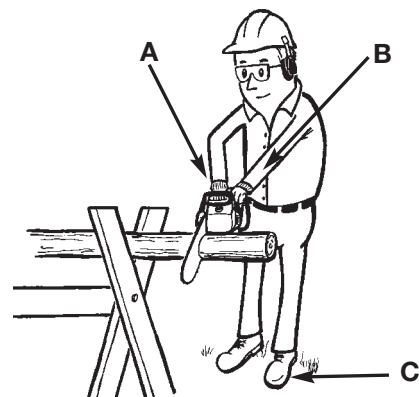


Fig. 20

# INSTRUCCIONES DE MANTENIMIENTO Y REPARACIÓN

## AGENDA DE MANTENIMIENTO

Lleve a cabo los procesos de mantenimiento necesarios con la frecuencia de la tabla. Estos procesos deben formar parte de la puesta a punto de temporada.

**NOTA:** El mantenimiento, reemplazo o reparación de los dispositivos de control de emisiones debe ser realizado por el personal de Sears u otro personal cualificado.

**NOTA:** El mantenimiento, reemplazo o reparación de los dispositivos de control debe ser realizado por Sears u otro personal cualificado.



**ADVERTENCIA:** Para evitar daños serios, nunca lleve a cabo las labores de mantenimiento o reparación con la unidad en marcha. Repare la unidad en frío. Desconecte el arrancador para asegurarse de que no se puede arrancar la unidad.

Un buen programa de mantenimiento preventivo y de inspecciones regulares aumentará la vida de su sierra. Esta lista de comprobación de mantenimiento es una guía de tal programa.

La limpieza, ajuste y reemplazo de componentes puede ser necesario en determinadas condiciones, a intervalos más frecuentes de los indicados.

## RESPONSABILIDAD DEL CLIENTE

LISTA DE MANTENIMIENTO		DESPUÉS DE CADA USO	HORAS DE FUNCIONAMIENTO	
ELEMENTO	ANTES DE CADA USO		10	20
COMPRUEBE QUE NO EXISTEN TORNILLOS/TUERCAS/PERNOS SUELTOS	✓			
LIMPIAR O REEMPLAZAR EL FILTRO DE AIRE			✓	
REEMPLAZAR EL ASPIRADOR DE CHISPAS/SILENCIADOR			✓	
LIMPIE E INSPECCIONE LA BUJÍA Y LA PANTALLA DEL ASPIRADOR / SILENCIADOR			✓	
COMPROBAR EL ACEITE DE LA BARRA Y LA CADENA, Y LAS MANGUERAS DE COMBUSTIBLE	✓			
LIMPIAR LA UNIDAD E INSPECCIONAR ETIQUETAS		✓		
COMPROBAR LOS COMPONENTES DEL FRENO DE CADENA®		✓		
LIMPIAR LA BARRA DE GUÍA			✓	
COMPROBAR COMPONENTES DAÑADOS/GASTADOS	✓			
COMPROBAR LA TENSIÓN DE LA CADENA	✓			
COMPROBAR EL AFILADO DE LA CADENA	✓			
LUBRICAR ENGRANAJES		✓		
COMPROBAR LA MEZCLA DE COMBUSTIBLE	✓			

# INSTRUCCIONES DE MANTENIMIENTO Y REPARACIÓN

## QUITAR LA BARRA DE GUÍA Y LA CADENA



**PRECAUCIÓN:** Para asegurarse de que la barra y la cadena reciben aceite, use solo la barra original con el orificio de paso (A) ilustrado en la Fig. 21.

**NOTA:** Use siempre guantes gruesos al manipular la sierra.

1. Asegúrese de que la palanca del Freno de cadena(r) está hacia atrás en la posición DESACTIVADA (Fig. 21). Quite las tuercas de la barra con la herramienta suministrada (Fig. 22).
2. Quite la funda del freno de cadena (C, Fig. 22) y la placa de la guía exterior (I, Fig. 27) tirando hacia fuera (Fig. 22).
3. Deslice la barra desde las tuercas y quite la cadena (Fig. 23).

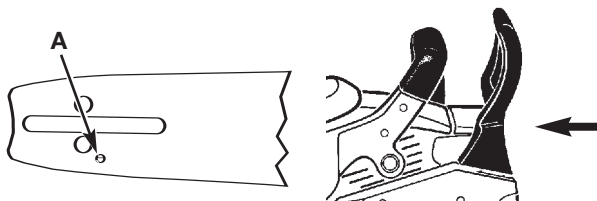


Fig. 21

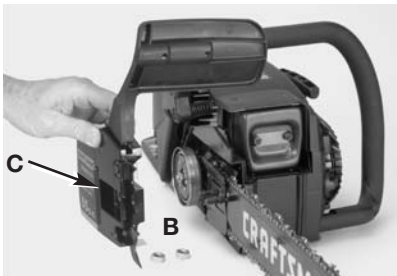


Fig. 22

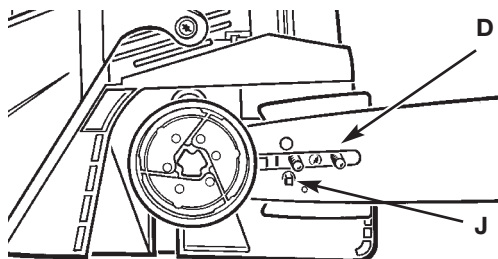


Fig. 23

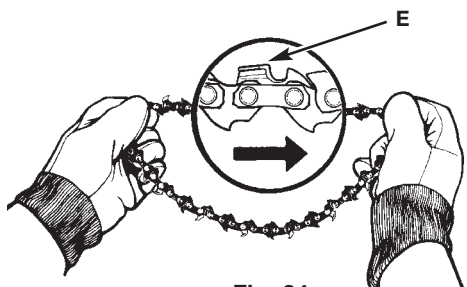


Fig. 24

## REEMPLAZAR LA BARRA Y LA CADENA



**ADVERTENCIA:** Utilice siempre guantes protectores al manipular la sierra.

1. Retire la cadena enrollándola desde los lados cortantes (E) hacia la derecha (Fig. 24).
2. Retire la cadena del engranaje (F) detrás del enganche (G). Asegúrese de que los enlaces se ajustan bien a los dientes del engranaje (Fig. 25).
3. Coloque el extremo estriado de la barra sobre las dos tuercas (D, Fig. 23). Asegúrese de que la lengüeta de ajuste (J, Fig. 23) se encuentra debajo del orificio de ajuste.
4. Alinee los engranajes sobre el surco (H) y alrededor del extremo de la barra (Fig. 25).
5. La cadena estará tensa, de modo que tendrá que rotar el enganche con la mano hacia la derecha para que la cadena se ajuste al engranaje.
6. Reemplace la placa exterior de la barra (I) para que los lados curvados (superior e inferior) miren hacia fuera de la cadena (Fig. 27).
7. Instale la funda del Freno de Cadena(r) (Fig. 27). Asegúrese de que la cadena no se sale de la barra. Instale las dos tuercas de la barra y siga las instrucciones de Ajuste de tensión de la cadena.

**NOTA:** Las tuercas de la barra debe instalarse con las manos en este punto, ya que será necesario ajustar la cadena más adelante. Siga las instrucciones de Ajuste de tensión de la cadena.

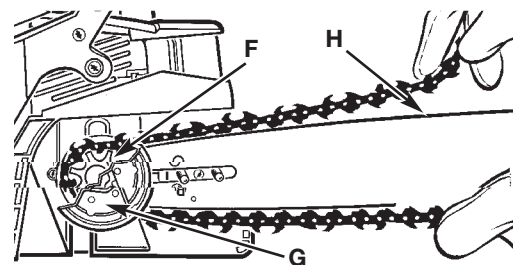


Fig. 25

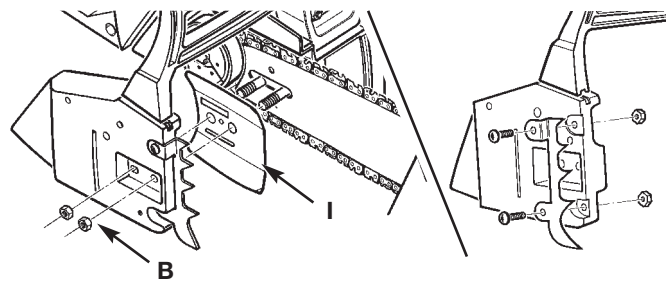


Fig. 27

# INSTRUCCIONES DE MANTENIMIENTO Y REPARACIÓN

## AJUSTE DE TENSIÓN DE LA SIERRA MECÁNICA



Es muy importante comprobar la tensión adecuada de la cadena de la sierra antes de comenzar, así como durante la operación de cortado.

Si se toma el tiempo necesario para realizar ajustes sobre la cadena de la sierra, obtendrá un mejor resultado en el corte y aumentará la vida de la cadena.

Para ajustar la cadena de la sierra:

1. Afloje las tuercas de la barra (B, Fig. 27). Sostenga la punta de la barra hacia arriba y gire el tornillo de ajuste (D) hacia la derecha para aumentar la tensión de la cadena. Si gira el tornillo a la izquierda disminuirá la tensión de la cadena. Asegúrese de que la cadena se ajusta correctamente a la barra (Fig. 28).

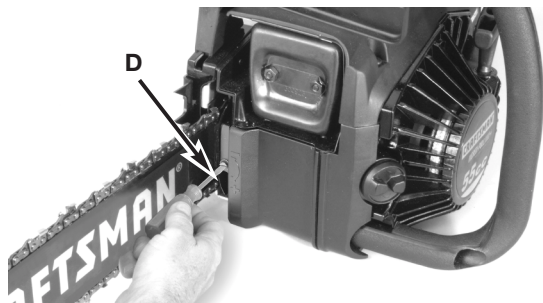


Fig. 28

2. Después de hacer el ajuste, y mientras sujeta la punta de la barra en posición superior, apriete las tuercas de la barra. La cadena tendrá la tensión adecuada cuando se ajuste correctamente alrededor y pueda tirar de ella con una mano.

**NOTA:** Si una cadena es difícil de rotar en la barra o si se atasca, se ha aplicado demasiada tensión. Esto requiere el siguiente ajuste menor:

- A. Afloje las tuercas de la barra como para poder quitarlas con la mano. Disminuya la tensión girando el tornillo de ajuste de barra hacia la izquierda lentamente. Mueva la cadena hacia atrás y hacia delante en la barra. Continúe ajustando hasta que la cadena rote libremente, pero aún esté ajustada. Aumente la tensión girando el tornillo de la barra hacia la derecha.
- B. Cuando la cadena tenga la tensión adecuada, sostenga la punta de la barra en posición superior y ajuste la barra apretando las tuercas de sujeción.

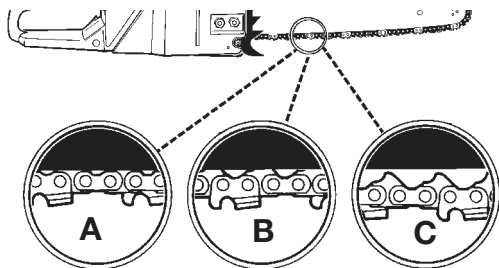
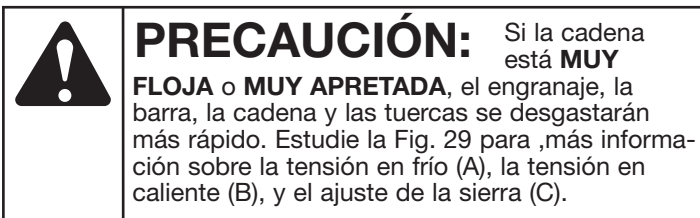
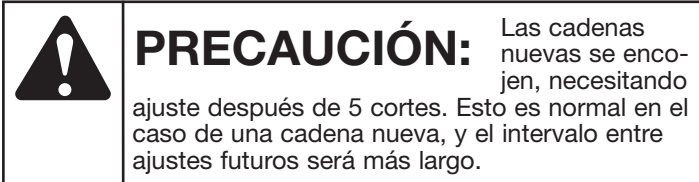


Fig. 29



## COMPROBACIÓN MECÁNICA DEL FRENO DE SIERRA



Su sierra mecánica está equipada con un Freno de Cadena® que reduce la posibilidad de daños debido a reacciones. El freno se activa si se aplica presión contra la palanca de freno cuando, en el caso de una reacción, la mano del operador acciona la palanca. Cuando el freno está activado, el movimiento de la cadena se detiene de forma abrupta.

Para probar el Freno de Cadena®:

1. El Freno de Cadena® está **DESACTIVADO** (la cadena se mueve) cuando la **PALANCA DE FRENO ESTÁ HACIA ATRÁS Y BLOQUEADA** (A, Fig. 30).
2. El Freno de Cadena® está **ACTIVADO** (la cadena está detenida) cuando la palanca de freno está hacia delante. No debe poder mover la cadena (B, Fig. 30).

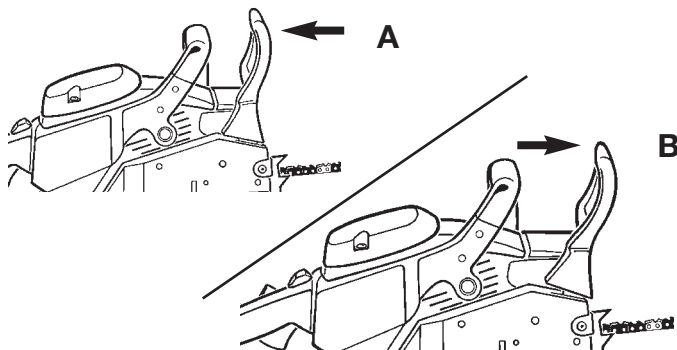


Fig. 30



# INSTRUCCIONES DE MANTENIMIENTO Y REPARACIÓN

## REQUISITOS DE MANTENIMIENTO PARA COMPONENTES DAÑADOS O GASTADOS

Busque un Centro de Servicio Sears para reemplazar un componente dañado o gastado.

**NOTA:** Es normal que aparezca una pequeña cantidad de aceite bajo la sierra cuando se detenga el motor. No confunda esto con una pérdida de aceite en el tanque.

- Conmutador de PARADA - Asegúrese de que el conmutador de PARADA funciona correctamente moviendo el conmutador hacia arriba a la posición PARADA. Compruebe que el motor se detiene; arranque de nuevo el motor y continúe.
- Tanque de combustible - No utilice una sierra si el tanque de combustible muestra señales de daños o fugas.
- Tanque de aceite - No utilice la sierra si el tanque de aceite da muestras de daños o fugas.

## COMPRUEBE LAS TUERCAS O COMPONENTES SUELTOS

- Tuercas de Freno de Cadena
- Cadena
- Silenciador
- Carcasa de cilindro
- Cubierta de filtro de aire
- Tornillos de asa
- Montajes de vibración
- Caja de arranque
- Guardamanos frontal

## FILTRO DE AIRE



**PRECAUCIÓN:** Nunca opere la sierra sin el filtro de aire. El polvo y la suciedad pueden haber entrado en el motor y haberlo dañado. Mantenga limpio el filtro de aire.

1. Quite la tapa superior (A) aflojando los tornillos de sujeción. La cubierta se soltará (Fig. 31).
2. Limpie el filtro del aire con agua caliente y jabón. Enjuáguelo con agua limpia. Deje secar al aire.

**NOTA:** Se aconseja tener filtros de repuesto.

3. Instale el filtro del aire. Instale la cubierta del motor/filtro de aire. Asegúrese de que todo está colocado correctamente. Apriete los tornillos de sujeción de la cubierta.



**ADVERTENCIA:** Para evitar serios daños personales, apague siempre la unidad y deje que se enfríe antes de limpiarla o repararla.



Fig. 31

## FILTRO DE COMBUSTIBLE



**PRECAUCIÓN:** Nunca opere la sierra sin el filtro de combustible. Este filtro debe reemplazarse cada 10 horas de uso. Drene el tanque de combustible antes de cambiarlo.

Para vaciar el tanque antes de quitar el filtro.

1. Saque el filtro (A) del tanque con un cable doblado (B) o una aguja larga. Desconecte el filtro y tírelo (Fig. 32).

**NOTA:** No saque la manguera totalmente del tanque.

2. Instale un filtro de combustible nuevo en la manguera y presione la manguera y el filtro en el tanque hasta que el filtro se coloque en la esquina frontal derecha.
3. Llene el tanque con mezcla de combustible/aceite fresca. Consulte Información sobre Combustible y Engrase. Coloque la tapa del tanque.

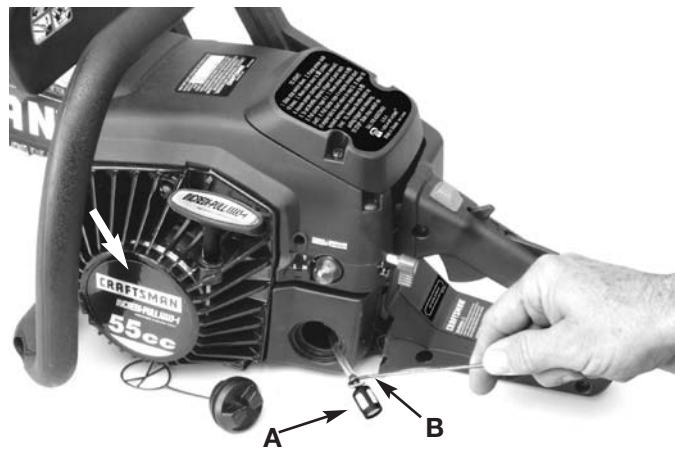


Fig. 32

# INSTRUCCIONES DE MANTENIMIENTO Y REPARACIÓN

## FILTRO DE ACEITE

**NOTA:** Drene el tanque de aceite antes de cambiar el filtro

1. Saque la placa inferior y utilice un cable con un gancho (A) para tirar del filtro (B) desde el tanque. Quite el filtro antiguo y reemplácelo.
2. Ponga el filtro y la línea de aceite de nuevo en su lugar para que el filtro vuelva al fondo del tanque.

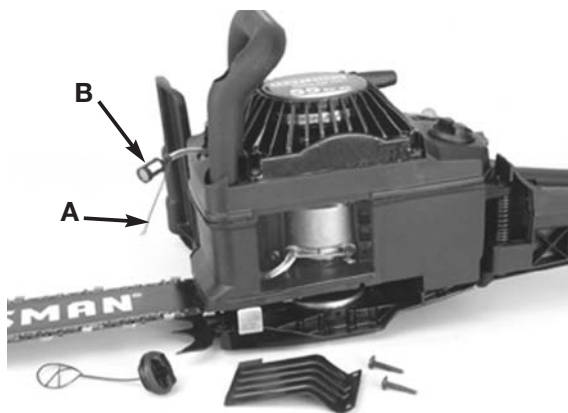


Fig. 33

## PANTALLA DEL ASPIRADOR DE CHISPAS

**NOTA:** Una pantalla de aspirador sucia reducirá sensiblemente el rendimiento del motor.

1. Empuje las esquinas de la placa para poder acceder a las tuercas de sujeción. Quite las dos tuercas de sujeción del silenciador (E), la placa de bloqueo (F) y la cubierta del silenciador (G) (Fig. 34).
2. Quite la pantalla del aspirador de chispas (H) del soporte metálico (J). Reemplace la pantalla por una nueva.
3. Vuelva a montar el silenciador un apriete los tornillos.

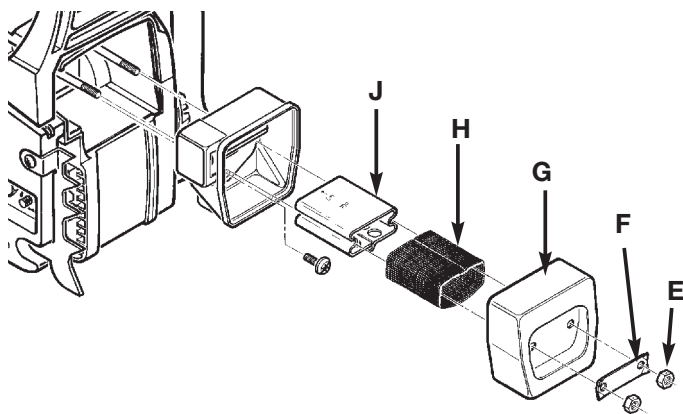


Fig. 34

## BUJÍA

**NOTA:** Para un funcionamiento correcto de la sierra, la bujía debe estar limpia y correctamente colocada.

1. Pulse el interruptor PARADA hacia arriba.
2. Quite la tapa superior. Desconecte el conector del cable de la bujía tirando y girando a la vez (Fig. 35).
3. Quite la bujía con la llave para la bujía. NO UTILICE OTRA HERRAMIENTA.



**ADVERTENCIA:** No abrase ni limpie los electrodos. La arena en el motor podría dañar los cilindros.

4. Compruebe los electrodos con el cable de sensibilidad y fije las aberturas en ,025" (.635mm) si es necesario.
5. Reinstale una bujía nueva (champion RDJ8J o equivalente).

**NOTA:** Debe utilizarse una bujía de resistencia para el reemplazo (componente no. 9295-320001).

**NOTA:** Este sistema de arranque cumple todos los requisitos de la Normativa de Emisión de Interferencias Canadiense.

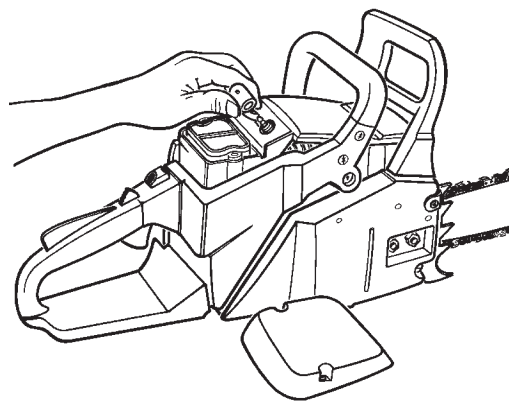


Fig. 35

## AJUSTE DEL CARBURADOR

El carburador ha sido preconfigurado en la fábrica para obtener un rendimiento óptimo. Si se necesitan más ajustes, lleve la unidad a un distribuidor Sears u otro centro autorizado.

# INSTRUCCIONES DE MANTENIMIENTO Y REPARACIÓN

## ALMACENAR LA SIERRA



Almacenar una sierra mecánica durante más de 30 días requiere que se sigan las instrucciones de almacenamiento. A menos que se sigan las instrucciones, el combustible remanente se evaporará, dejando depósitos gomosos. Esto podría conducir a otras dificultades en el arranque y resultar en costosas reparaciones.

1. Quite la tapa del tanque de combustible para liberar cualquier presión en el tanque. Drene con cuidado el tanque de combustible dejando secar la unidad o volcando el tanque de combustible y drenando la mezcla de combustible/aceite en un contenedor que contenga la misma mezcla de combustible de 2 tiempos.
2. Arranque el motor y déjelo funcionar hasta que la unidad se pare para eliminar el combustible del carburador.
3. Deje que el motor se enfríe (aprox. 5 minutos).
4. Quite la bujía utilizando una llave de bujía.
5. Deposite una cucharada de aceite para motor de 2 tiempos en la cámara de combustión. Tire lentamente de la cuerda de arranque varias veces para cubrir los componentes internos. Reemplace la bujía (Fig. 36).

**NOTA:** Almacene la unidad en un espacio seco y alejado de posibles fuentes de ignición como hornos, agua calentada por gas, secadores de gas, etc.

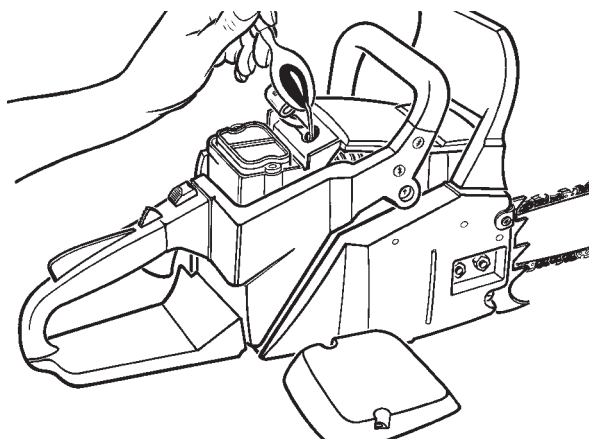


Fig. 36

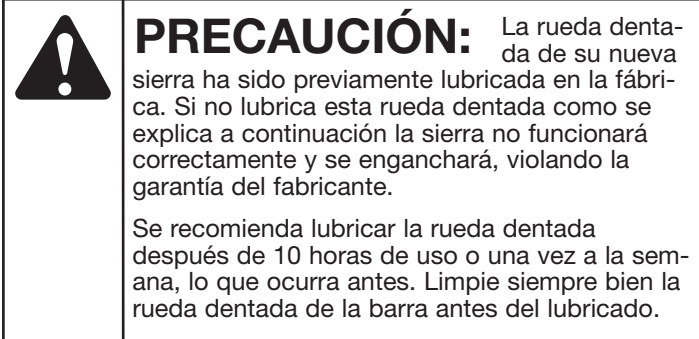
## RECUPERAR LA UNIDAD TRAS EL ALMACENAMIENTO

1. Quite la bujía.
2. Tire de la cuerda de arranque súbitamente para limpiar el exceso de aceite de la cámara de combustión.
3. Limpie y separe la bujía o instale una bujía nueva con la abertura adecuada.
4. Prepare la unidad para su funcionamiento.
5. Llene el tanque con la mezcla de combustible/aceite adecuada. Consulte Información sobre Combustible y Engrase.

## MANTENIMIENTO DE LA BARRA DE GUÍA

Es necesario lubricar la barra de guía (la barra que soporta la cadena de la sierra) con frecuencia. El correcto mantenimiento de la barra de guía es, como se ha explicado en esta sección, esencial para mantener la sierra en buenas condiciones.

### Lubricado del engranaje



Se recomienda utilizar una pistola de lubricante (no incluida) para aplicar grasa a la rueda dentada. La pistola de lubricante está equipada con una aguja que es necesaria para la aplicación eficiente de grasa en la rueda dentada.

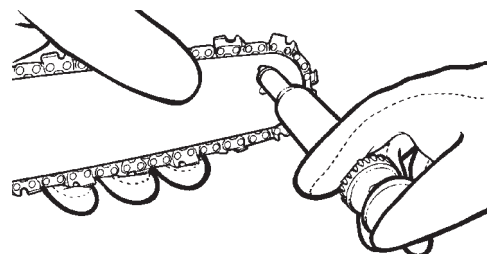


Fig. 37

Para lubricar la rueda:

1. Mueva el interruptor PARADA hacia arriba.

**NOTA:** No es necesario quitar la cadena para lubricar la rueda dentada. La lubricación puede realizarse durante el trabajo.

2. Limpie la rueda dentada de la barra de guía.
3. Utilizando la pistola de lubricante (no incluida), inserte la pinta de la pistola en el orificio de lubricado e inyecte grasa hasta que aparezca por el otro lado de la rueda dentada (Fig. 37).
4. Rote la cadena con la mano. Repita el proceso de lubricado hasta que se haya engrasado toda la rueda.

# INSTRUCCIONES DE MANTENIMIENTO Y REPARACIÓN

## LUBRICADO DE LA CADENA/BARRA

El lubricado adecuado de la cadena es esencial en todo momento para minimizar la fricción con la barra.

No deje que se agote el aceite de la cadena y la barra. Si hace funcionar la sierra con muy poco aceite, disminuirá la eficiencia de cortado, acortando la vida de su sierra, causando el desgaste de la cadena y un desgaste excesivo de la barra por sobrecalentamiento. La falta de aceite viene evidenciada por humo, decoloración de la barra y ruidos agudos.

**NOTA:** La cadena se encoje durante el uso, particularmente si es nueva, y ocasionalmente será necesario ajustarla y apretarla. Una cadena nueva necesitará un ajuste después de 5 minutos de funcionamiento.

## LUBRICADOR AUTOMÁTICO

Consulte la Sección Otras Instrucciones: Lubricador Automático para más información sobre el lubricador automático.

## MANTENIMIENTO DE LA BARRA:

La mayoría de problemas relacionados con la barra pueden evitarse manteniendo correctamente la cadena.

La lubricación insuficiente y de la barra y el funcionamiento de la sierra con una cadena demasiado apretada contribuirá al desgaste de la barra.

Para minimizar el desgaste, siga los procedimientos de mantenimiento siguientes.

**DESGASTE DE LA BARRA** - Gire la barra de guía con frecuencia a intervalos regulares (por ejemplo, cada 5 horas de uso), para asegurarse de que el desgaste se produce por encima y por debajo de la barra.

**SURCOS EN LA BARRA (B)** Los surcos de la barra (o raíles que soportan y transportan la cadena) deben limpiarse si han sido utilizados duramente o si la cadena parece estar sucia. Los raíles siempre deben limpiarse cada vez que se retire la cadena (Fig. 38).

**PASOS DE ACEITE (A)** Los pasos de aceite de la barra deben limpiarse para asegurar un lubricado correcto de la barra y la cadena durante el funcionamiento. Esto puede hacerse usando un cable fino y pasándolo por el orificio de descarga.(fig. 38)

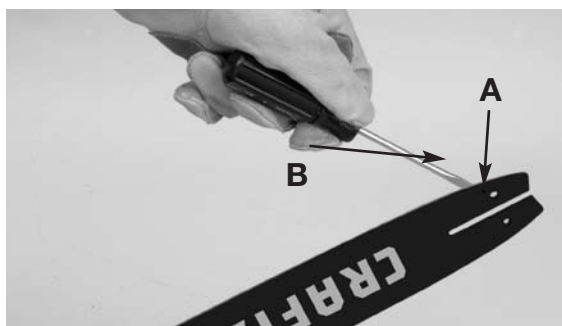


Fig. 38

**NOTA:** La condición de los pasos de aceite puede comprobarse fácilmente. Si los pasos están limpios, la cadena soltará aceite pulverizado a los pocos segundos de arrancar la sierra. Su sierra está equipada con un sistema lubricante automático.

## MANTENIMIENTO DE LA CADENA

### Tensión de la cadena

Compruebe la tensión de la cadena con frecuencia y ajústela tanto como sea necesario, pero con holgura como para poder tirar de ella con la mano.

### Utilizar una cadena nueva

Una cadena nueva necesitará un reajustes a los 5 cortes. Esto es normal durante el periodo de adaptación, y el intervalo entre ajustes futuros será cada vez mayor.



**ADVERTENCIA:** Nunca quite más de 3 eslabones de la cadena. Ello podría causar daños en la rueda dentada.

### Lubricado de la cadena

Asegúrese siempre de que el sistema de lubricado automático funciona correctamente. Mantenga lleno el tanque de aceite para la Cadena, la Barra y los Piñones.

El lubricado adecuado de la barra y la cadena durante las operaciones de cortado es esencial para minimizar la fricción con la barra.

No deje que se agote el lubricante de la barra y la cadena. Si hace funcionar la sierra seca o con muy poco aceite, disminuirá la eficiencia de corte, acortará la vida de su sierra, y causará un desgaste rápido de la cadena, provocando el desgaste de la barra y sobrecalentamiento. Notará la falta de aceite por la decoloración de la barra.

### Afilado de la cadena

El afilado de la cadena requiere herramientas especiales para asegurarse de que los cortadores están afilados y con el ángulo y profundidad correctos. Para los usuarios con poca experiencia, le recomendamos que afile la sierra un profesional en su Centro de Servicio Autorizado más cercano. Si se siente cómodo afilando su sierra, existen herramientas especiales disponibles en su Centro de Servicio Autorizado. Utilice el archivo redondo del 3/16" para afilar esta cadena.

## INFORMACIÓN DE REEMPLAZO DE CADENA

Long. Barra	Enlaces	Comp. Sears #
Bar. 18"	72 DL	36514

## ACCIÓN DE INERCIA DE FRENO DE CADENA®

**NOTA:** ESTA SIERRA ESTÁ EQUIPADA CON UN FRENO DE CADENA. SI LA SIERRA REACCIONA DURANTE SU USO, LA INERCIA DE LA PROPIA SIERRA ACTIVARÁ EL FRENO. SE ACTIVA UNA BANDA DE FRENO ALREDEDOR DEL EMBRAGUE Y SE DETIENE LA CADENA EN MOVIMIENTO.



# RESOLUCIÓN DE PROBLEMAS

## LA UNIDAD NO ARRANCA, O ARRANCA PERO NO FUNCIONA

### CAUSA

1. Proceso de arranque incorrecto
2. Ajuste incorrecto de mezcla de combustible en carburador
3. Fallo en la bujía
4. Tanque de combustible vacío
5. La válvula principal no ha sido presionada

### ACCIÓN

1. Siga las instrucciones de la sección Arranque/Parada
2. Permita que un distribuidor de servicio Sears ajuste el carburador de su unidad.
3. Limpie/separe o cambie la bujía
4. Llene el tanque de combustible con combustible bien mezclado
5. Presione la válvula primaria lentamente 10 veces

## LA UNIDAD SE INICIA, PERO EL MOTOR TIENE Poca POTENCIA

### CAUSA

1. Filtro de combustible sucio
2. Posición incorrecta de la palanca
3. Pantalla de aspirador de chispas sucia
4. Filtro de aire sucio
5. Ajuste incorrecto de mezcla de combustible en carburador

### ACCIÓN

1. Cambie el filtro de combustible
2. Muévela a la posición 3
3. Cambie la pantalla
4. Quite, limpie y reinstale el filtro
5. Permita que un distribuidor de servicio Sears ajuste el carburador de su unidad.

## EL MOTOR BALBUCEA

### CAUSA

1. Ajuste incorrecto de mezcla de combustible en carburador
2. Filtro de aire sucio
3. Combustible antiguo o mal mezclado

### ACCIÓN

1. Deje que un distribuidor le ajuste el carburador
2. Cambie o limpie el filtro de aire
3. Vacíe el tanque de gasolina y añada mezcla

## SIN POTENCIA EN LA CARGA

### CAUSA

1. Ajuste incorrecto de mezcla de combustible en carburador
2. Combustible antiguo o mal mezclado
3. Filtro de aire sucio
4. Fallo en la bujía

### ACCIÓN

1. Deje que un distribuidor le ajuste el carburador
2. Vacíe el tanque de gasolina (vea Almacenamiento) /añada mezcla fresca
3. Cambie o limpie el filtro de aire
4. Cambie o limpie la bujía

## FUNCIONA ERRÁTICAMENTE

### CAUSA

1. Bujía con abertura incorrecta
2. Aspirador de chispas sucio
3. Filtro de aire sucio

### ACCIÓN

1. Limpie/separe o cambie la bujía
2. Limpie o cambie el aspirador de chispas
3. Limpie o cambie el filtro de aire

## HUMO EXCESIVO

### CAUSA

1. Ajuste incorrecto de mezcla de combustible en carburador
2. Mezcla incorrecta de combustible

### ACCIÓN

1. Permita que un distribuidor de servicio Sears ajuste el carburador de su unidad.
2. Utilice combustible bien mezclado (mezcla 40:1)

**NOTA:** Para realizar reparaciones más grandes, póngase en contacto con su centro de servicio de Sears más cercano en (1-800-4-MY-HOME®) u otro centro autorizado.



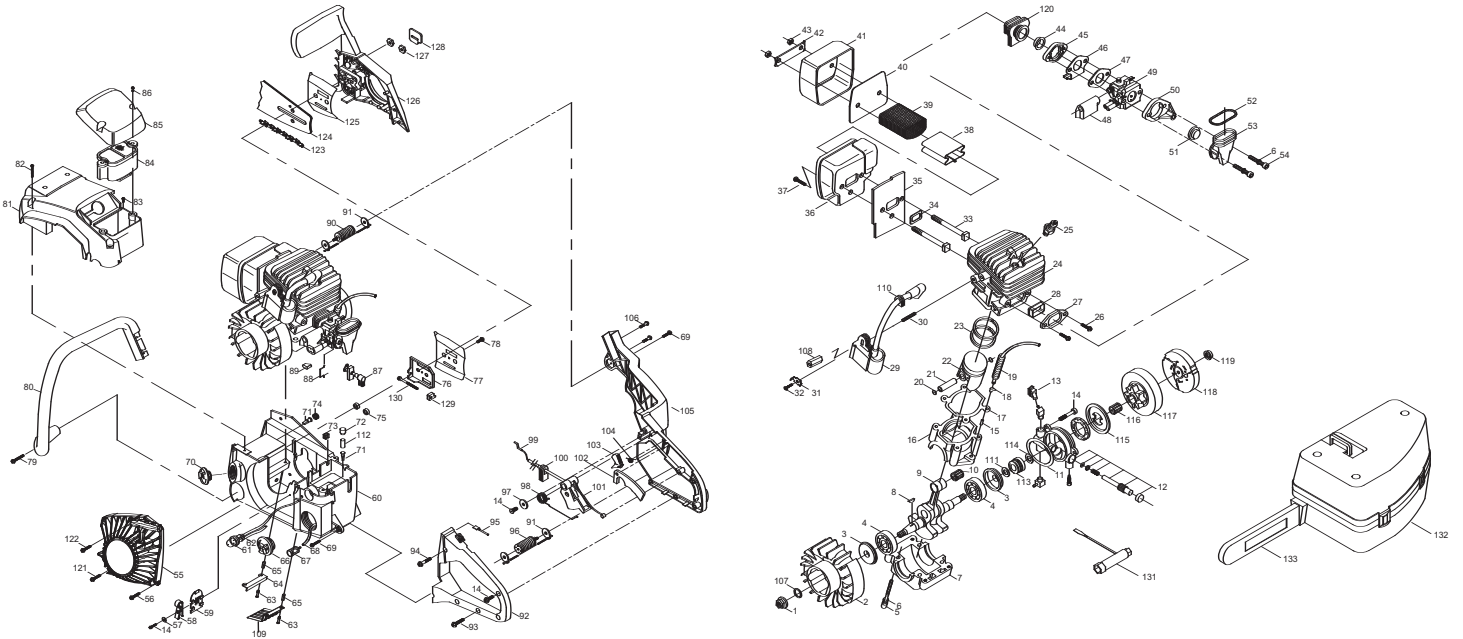
# ESPECIFICACIONES

## MOTOR\*

Tipo de Motor .....	Refrigerado por aire, 2 Tiempos
Desplazamiento .....	(55 cc)(3,36 cu in.)
Velocidad al ralentí RPM .....	3,400 rpm
Velocidad en funcionamiento RPM .....	7,200+ rpm
Tipo de arranque .....	Electrónico-MAX FIRE IGNITION(tm)
Conmutador de arranque .....	De deslizamiento
Espacio de bujía .....	0,025 in. (0,635 mm)
Lubricado .....	Mezcla Combustible/Aceite
Relación Combustible/Aceite.....	40:1
Carburador .....	Diafragma, Todas las posiciones
Arranque.....	Arranque Incredi-Pull(tm) Rebobinado automático
Silenciador .....	Deflector con guarda
Aceleración .....	Muelle manual con retorno
Capacidad de tanque de combustible.....	16,8 oz. (496,8 ml)
Control de aceleración .....	Gatillo para dedo
Peso aproximado de la unidad (Sin combustible) .....	17,6 lbs. (8 kg)
Diámetro de cortado .....	36 in. (91,4 cm)

\*Todas las especificaciones se basan en la última información disponible acerca del producto en el momento de la impresión. Nos reservamos el derecho de realizar cambios sin aviso previo.

# LISTA DE COMPONENTES



Ítem	N. Componente	Descripción	Ítem	N. Componente	Descripción	Ítem	N. Componente	Descripción	Ítem	N. Componente	Descripción
1	9NAB-5/16-24	TUERCA	34	9014-310208	LAVADOR	67	9182-310001	FILTRO, COMBUSTIBLE	100	9124-310209	ARANDELA
2	9228-31B206	RUEDA VOLANTE	35	9082-310201	DEFLECTOR	68	9129-310004	MANGUITO	101	9028-310202	GATILLO
3	9157-310201	SELLADO	36	9228-310217	CUERPO DE SILENCIADOR ASSY	69	9SKKZY10/14-01	TORNILLO	102	9028-310201	LIBERACIÓN. GATILLO
4	9DB-620201	SOPORTE	37	9SKKBY10/24-0.5	TORNILLO	70	9124-310202	BOTA, CARBURADOR	103	9072-310203	PESTAÑA, RALENTÍALTO
5	9SREB-10/24-2.75	TORNILLO	38	9211-310201	PLACA	71	9070-310002	VÁLVULA	104	9024-310207	MUELLE
6	9WFB-0.2	LAVADOR	39	9183-310201	PANTALLA	72	9129-310209	MANGUITO	105	9068-310203	MARCO, POSTERIOR
7	9072-310201F	CÁRTER INFERIOR	40	9082-310205	DEFLECTOR	73	9013-310201	BUJÍA	106	9SGKBY10/24-0.5	TORNILLO
8	9221-310001	LLAVE	41	9017-310204	CUBIERTA, SILENCIADOR	74	9252-310002	FILTRO	107	9WOC-08	LAVADOR
9	9228-310203F	C'SHAFT/C'ROD ASS'Y	42	9158-310201	LOCKPLATE	75	9131-310206	LAVADOR	108	9124-310205	ESPACIADOR
10	9155-310201	SOPORTE	43	9NAC-10/24	TUERCA	76	9043-310203	PLACA, BARRA	109	9043-310205	PLACA
11	9076-310201	ANILLO EN O	44	9131-310203	ORIFICIO	77	9043-310202	PLACA, BRIDA	110	9012-330301	ARANDELA
12	9228-310208	BOMBA ASS'Y	45	9014-310204	BRIDA	78	9SKKBY6/19-0.375	TORNILLO	111	6014-M96A01	LAVADOR
13	9154-310201	CONECTOR	46	9102-310202	PLACA	79	9SJKB-12/14-1.5	TORNILLO	112	6182-210101	FILTRO
14	9SKKBY8/16-0.5	TORNILLO	47	9014-310202	JUNTA	80	9228-31B202	ASA ASSY	113	9073-310201	ENGRANAJE, GUSANO
15	9124-310201	AJUSTE, LÍNEA DE PULSO	48	9124-310203	BOTA	81	9228-310216	CUBIERTA ASSY	114	9WFN-0.4	LAVADOR
16	9072-310202F	CÁRTER SUPERIOR	49	9287-310201	CARBURADOR	82	9SKKBY10/14-02	TORNILLO	115	9WDZ-0.722	LAVADOR
17	9014-310212	JUNTA	50	9014-310201	BRIDA	83	9SKKBY10/14-0.68	TORNILLO	116	9155-310203	SOPORTE
18	9036-310201	ABRAZADERA, MANGUITO	51	9131-310204	ORIFICIO	84	9228-310204	FILTRO DE AIRE ASSY	117	9228-310211	TAMBOR DE ENGRANAJE ASSY
19	9059-310201	CONDUCTO, FLEXIBLE	52	9024-310202	MUELLE	85	9067-310202	CUBIERTA	118	9228-310210	EMBRAGUE ASSY
20	9CA-0.46	ANILLO	53	9124-310204	BOTA	86	9214-310101	TORNILLO	119	9NHC-09	TUERCA
21	9PC-10-32.5	PUNTA	54	9SREB-10/24-1.625	TORNILLO	87	9228-310230	ESTRANGULADOR ASSY	120	9124-310202	CARGADOR, CARB
22	9290-310201	PISTÓN	55	9228-31B208	ARRANQUE ASSY	88	9114-310202	PALANCA, CHOKE	121	9SKKBY10/14-0.625	TORNILLO
23	9189-310201	ANILLO, PISTÓN	56	9SKKBY10/14-0.625	TORNILLO	89	9013-310202	BUJÍA	122	9SKKBY10/24-0.5	TORNILLO
24	9292-310201F	CILINDRO	57	9WFFZ-0.18	LAVADOR	90	9228-310213	AISLANTE ASSY	123	9220-31B202	CADENA
25	9295-320001	BUJÍA	58	9223-310201	CLIP DE METAL	91	9228-310214	CABLE ASSY	124	9040-31A216	BARRA (CRAFTSMAN LOGO)
26	9SKKBY10/24-0.62	TORNILLO	59	9183-310202	PANTALLA	92	9228-310232	CUBIERTA ASSY, ASA	125	9082-310204	PLACA
27	9014-310203	BRIDA	60	9228-310205	TANQUE DE COMBUSTIBLE/ACEITE ASSY	93	9SKKBY8/16-0.625	TORNILLO	126	9228-310245	FRENO DE CADENA ASSY
28	9131-310202	ORIFICIO	61	9142-310002	IMPRIMADOR, REMOTO	94	9SKKBY8/16-1	TORNILLO	127	9NAB-5/16-18	TUERCA
29	9288-310201-CH	IGNICIÓN ASSY	62	9129-310214	MANGUITO	95	9010-310203	CABLE	128	9072-310206	PLACA
30	9191-310201	BOTÓN	63	9SKKBY10/24-1	TORNILLO	96	9228-310222	AISLANTE ASSY	129	9035-310201	TUERCA
31	9051-310202	CONTACTO, CROUT	64	9043-310201	PLACA	97	9WFB-4.9-17	LAVADOR	130	9214-310201	LLAVE
32	9SKKBY10/24-0.75	TORNILLO	65	9124-310206	ESPACIO	98	9024-310206	MUELLE	131	9042-310201	TORNILLO
33	9STDZY10/24-2.79	TORNILLO	66	9228-310206	TAPA DE COMBUSTIBLE	99	9010-310201	CABLE	132	9120-MD0701	FUNDA DE TRANSPORTE
									133	9017-310214	FUNDA

## **Declaración de Garantía de Control de Emisiones EPA / California**

### **Sus derechos y obligaciones de garantía**

El consejo de Recursos Aéreos de California, La Agencia de Protección Medioambiental y Sears, Roebuck and Co., tienen el placer de explicarle el sistema de control de garantía de su pequeño motor para 2005 y posterior. En California y los 49 estados, los nuevos motores pequeños deben ser diseñados, construidos y equipados para cumplir la estricta normativa anti-smog. Sears debe garantizar que la emisión del sistema de control de su motor pequeño para los periodos de tiempo listados a continuación no abusan, incumplen o mantienen incorrectamente su motor.

Su sistema de control de emisiones puede incluir componentes como un sistema de inyección de combustible al carburador, el sistema ignición y un convertidor catalítico. También puede incluir manquitos, abrazaderas, conectores y otros componentes relacionados con la emisión.

Donde exista una condición garantizable, Sears reparará su motor sin coste incluyendo el diagnóstico, los componentes y la mano de obra.

**Los motores pequeños de 2005 en adelante están garantizados durante dos años. Si algún componente relacionado con la emisión está defectuoso, el componente será reparado o reemplazado por Sears.**

#### **Responsabilidades del propietario de la garantía**

- Como propietario de un motor pequeño, usted es responsable del funcionamiento y del mantenimiento necesario mencionado en su manual de usuario. Sears le recomienda que conserve todos los recibos relacionados con el mantenimiento de su motor pequeño, aunque Sears no podrá denegar la garantía por la falta de recibos o por su fallo al asegurarse del buen funcionamiento del programa de mantenimiento.
- Como propietario de un motor pequeño, debe tener en cuenta que Sears puede denegar su garantía si su motor o un componente del mismo ha fallado debido a abusos, negligencias, mantenimiento inadecuado o modificaciones no aprobadas..
- Es usted responsable de presentar su motor en un Centro de Servicios Autorizados por Sears en el momento en el que exista un problema. Las reparaciones en garantía se completarán en una cantidad de tiempo razonable, sin exceder los 30 días.

Si tiene alguna pregunta acerca de sus derechos en garantía y sus responsabilidades, puede llamar al 1-800-4-MY-HOME®.

#### **Cobertura de la Garantía del Fabricante**

- El periodo de garantía comienza en la fecha en la que el equipo o motor ha sido entregado al comprador en el establecimiento.
- El fabricante garantiza al propietario inicial y a los siguientes compradores, que el motor está libre de defectos de material y mano de obra que causen el fallo de un componente en garantía durante un periodo de un año.
- La reparación y reemplazo de un componente en garantía será realizada sin cargo por un Centro de Servicios Autorizados por Sears. Para conocer su centro más cercano, póngase en contacto con Sears en el: 1-800-4-MY-HOME®.
- Cualquier componente en garantía que no deba ser cambiado, sino mantenido o inspeccionado regularmente al efecto de "Reparar o Reemplazar si es necesario" se encuentra garantizado durante la garantía. Cualquier componente garantizado que deba ser cambiado será garantizado durante un tiempo hasta la primera fecha de cambio de ese componente.
- El propietario no tendrá que pagar por las labores de diagnóstico que conducirán a la determinación de que un componente garantizado está defectuoso si el diagnóstico se realiza en un Centro de Servicios Autorizados por Sears.
- El fabricante es responsable de los daños a otros componentes del motor causados por el fallo de un componente en garantía que aún se encuentre en garantía.
- Los fallos provocados por el abuso, negligencia o mantenimiento incorrecto no serán incluidos en esta garantía.
- El uso de componentes modificados o accesorios no autorizados por el fabricante violarán su garantía. El fabricante no es responsable de la cobertura de los fallos en componentes garantizados por el uso de accesorios o componentes modificados.
- Para realizar una reclamación, diríjase a su Centro de Servicios Autorizados por Sears más cercano. Las reparaciones en garantía serán realizadas en todos los Centro de Servicios Autorizados por Sears.
- Cualquier componente cuyo cambio haya sido aprobado por el fabricante puede ser utilizado para la reparación de componentes relacionados con las emisiones, y se entregará sin cargo al propietario. Cualquier componente de reemplazo que sea equivalente en rendimiento o durabilidad puede ser utilizado durante el mantenimiento fuera de garantía y no reducirá las obligaciones de la garantía del fabricante.
- Los siguientes componentes se incluyen en la garantía de componentes relacionados con las emisiones: motor, filtro de aire, carburador, detonador, líneas de combustible, captación/filtro de combustible, módulo de ignición, bujía y silenciador.

## Acuerdo de Protección de Reparaciones

Le felicitamos por su compra inteligente. Su nuevo producto Craftsman® ha sido diseñado y fabricado para durar años en funcionamiento. Pero como todos los productos, puede necesitar reparaciones de vez en cuando. Es el momento de que un Acuerdo de Protección de Reparaciones le ahorre dinero y problemas.

Compre un Acuerdo de Protección de Reparaciones ahora y protéjase de problemas y gastos inesperados.

Esto es lo que se incluye en el Acuerdo

- Servicio experto** por nuestros 12.000 profesionales especialistas en reparación
- Reparaciones ilimitadas y sin cargo** de componentes y mano de obra en todas las reparaciones cubiertas
- Reemplazo del producto si el producto** en cuestión no puede ser reparado.
- Descuento del 10%** de los gastos regulares de reparación y componentes no cubiertos por este acuerdo; además, un 10% de descuento sobre el precio normal de comprobación de mantenimiento preventivo
- Ayuda rápida por teléfono** - ayuda por teléfono por un técnico de Sears en el caso de productos que requieran reparación en casa, y programación de reparaciones.

Una vez que compre su acuerdo, una sola llamada telefónica será todo lo que necesitará para conseguir su reparación. Puede llamar a cualquier hora del día o de la noche, o pedir una cita de reparación online.

Sears tiene más de 12.000 profesionales especialistas en reparación, que tienen acceso a más de 4,5 millones de componentes y accesorios. Ese es el tipo de profesionales con los que puede contar para ayudarle a prolongar la vida de su nueva compra durante años. Compre hoy su Acuerdo de Protección de Reparaciones.

**Son aplicables algunas limitaciones y exclusiones. Para conocer los precios y otra información, llame al 1-800-827-6655**

### Servicio de Instalación de Sears

Si necesita el servicio de instalación de electrodomésticos, puertas de garaje, calefactores de agua, y otros productos domésticos en los EE.UU., llame al 1-800-4-MY-HOME®

# Arr glelo, en su casa o en la nuestra!

## En su casa

Para reparaciones -en su domicilio- de electrodomésticos de marcas conocidas y equipamiento de jardín, o sistemas de calefacción o refrigeración, **no importa quien lo haya fabricado o quien se lo haya vendido.**

Para componentes de repuesto, accesorios y manuales de usuario que necesite para hacerlo usted mismo.

Para instalación de electrodomésticos y otros elementos como puertas de garaje o calefactores de agua.

**1-800-4-MY-HOME® (1-800-469-4663)**

Llame a cualquier hora, de día o de noche (EE.UU. y Canadá)

[www.sears.com](http://www.sears.com)    [www.sears.ca](http://www.sears.ca)

---

## En nuestra casa

Para reparaciones de artículos portátiles como aspiradoras, cortacéspedes, electrónica, llame o busque online su **Centro de reparación y Servicio Sears más cercano.**

**1-800-488-1222**

Llame a cualquier hora, de día o de noche (sólo EE.UU.)

[www.sears.com](http://www.sears.com)

---

Para comprar un acuerdo de protección (EE.UU.)  
O acuerdo de mantenimiento (Canadá) de un producto suministrado por Sears:

**1-800-827-6655** (EE.UU.)

**1-800-361-6665** (Canadá)

---

Para pedir servicio de reparación  
A domicilio, y para ordenar piezas

**1-888-SU-HOGAR<sup>SM</sup>**

(1-888-784-6427)

Au Canada pour service en français

**1-800-LE-FOYER<sup>MC</sup>**

(1-800-533-6937)

[www.sears.ca](http://www.sears.ca)



® Registered Trademark / ™ Trademark / ™ Service Mark of Sears, Roebuck and Co.

® Marca Registrada / ™ Marca de Fábrica / ™ Marca de Servicio de Sears, Roebuck and Co.

MC Marque de commerce / MD Marque déposée de Sears, Roebuck and Co.

© Sears, Roebuck and Co.



# Get it fixed, at your home or ours!

## Your Home

For repair - **in your home** - of **all** major brand appliances, lawn and garden equipment, or heating and cooling systems, **no matter who made it, no matter who sold it!**

For the replacement parts, accessories and owner's manuals that you need to do-it-yourself.

For Sears professional installation of home appliances and items like garage door openers and water heaters.

**1-800-4-MY-HOME<sup>®</sup>** (1-800-469-4663)

Call anytime, day or night (U.S.A. and Canada)

[www.sears.com](http://www.sears.com)    [www.sears.ca](http://www.sears.ca)

---

## Our Home

For repair of carry-in items like vacuums, lawn equipment, and electronics, call or go on-line for the location of your nearest **Sears Parts & Repair Center.**

**1-800-488-1222**

Call anytime, day or night (U.S.A. only)

[www.sears.com](http://www.sears.com)

---

To purchase a protection agreement (U.S.A.) or maintenance agreement (Canada) on a product serviced by Sears:

**1-800-827-6655** (U.S.A.)

**1-800-361-6665** (Canada)

---

Para pedir servicio de reparación a domicilio, y para ordenar piezas:

**1-888-SU-HOGAR<sup>SM</sup>**

(1-888-784-6427)

Au Canada pour service en français:

**1-800-LE-FOYER<sup>MC</sup>**

(1-800-533-6937)

[www.sears.ca](http://www.sears.ca)



<sup>®</sup> Registered Trademark / <sup>™</sup> Trademark / <sup>SM</sup> Service Mark of Sears, Roebuck and Co.

<sup>®</sup> Marca Registrada / <sup>™</sup> Marca de Fábrica / <sup>SM</sup> Marca de Servicio de Sears, Roebuck and Co.

<sup>MC</sup> Marque de commerce / <sup>MD</sup> Marque déposée de Sears, Roebuck and Co.

© Sears, Roebuck and Co.

## Free Manuals Download Website

<http://myh66.com>

<http://usermanuals.us>

<http://www.somanuals.com>

<http://www.4manuals.cc>

<http://www.manual-lib.com>

<http://www.404manual.com>

<http://www.luxmanual.com>

<http://aubethermostatmanual.com>

Golf course search by state

<http://golfingnear.com>

Email search by domain

<http://emailbydomain.com>

Auto manuals search

<http://auto.somanuals.com>

TV manuals search

<http://tv.somanuals.com>