

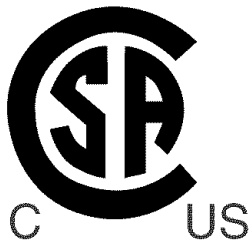
# Owner's Manual

# CRAFTSMAN®

1 Horsepower (continuous duty)  
2 Horsepower (maximum developed)  
650 C.F.M.  
3450 R.P.M. (no load R.P.M.)

## DUST COLLECTOR

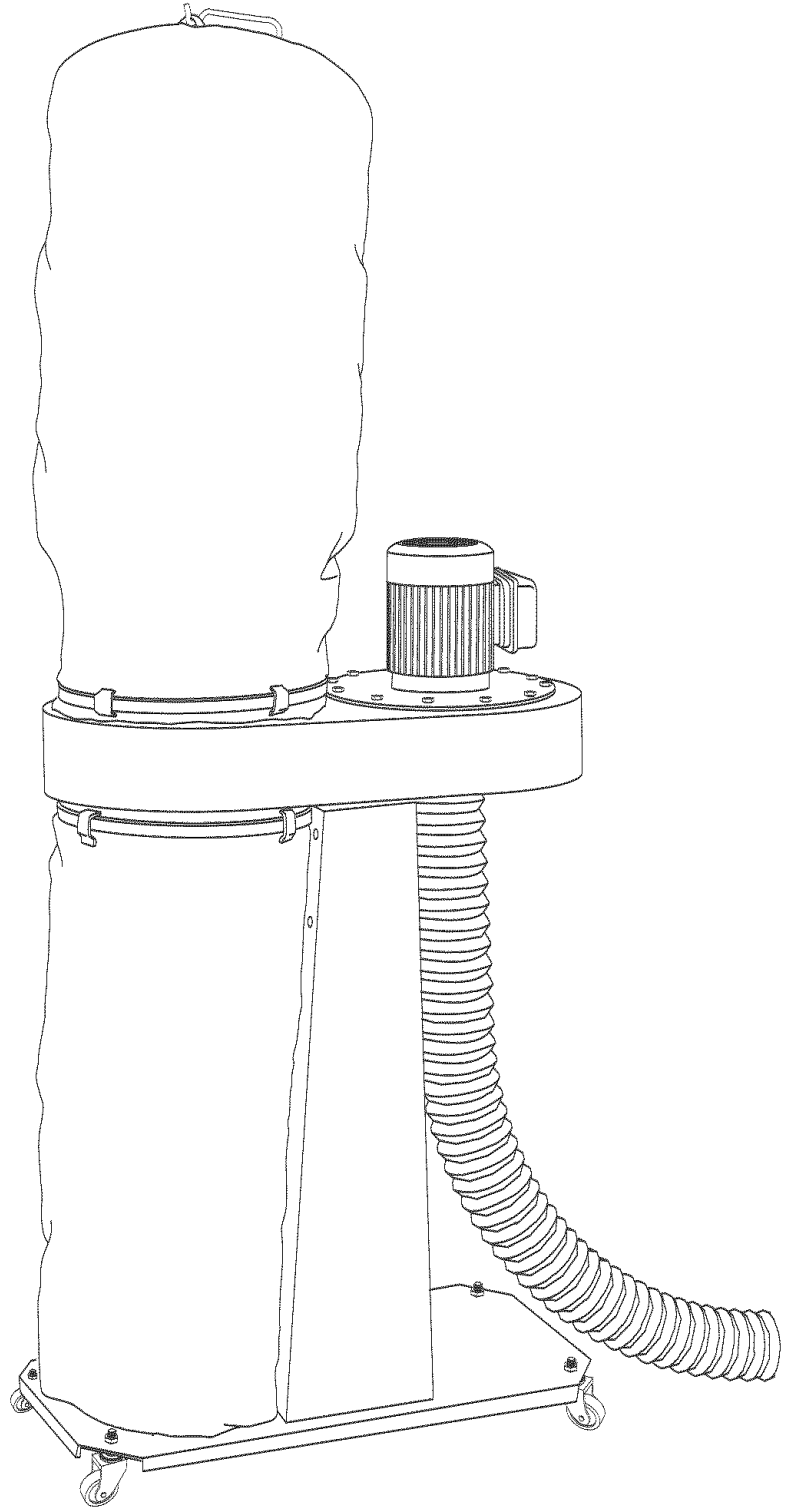
Model No.  
152.213361



### CAUTION:

FOR YOUR OWN SAFETY; Read and follow all of the Safety and Operating Instructions before Operating this Dust Collector.

Customer Helpline  
**1-800-897-7709**  
Please have your Model No.  
and Serial No. available.



Sears, Roebuck and Co., Hoffman Estates, IL 60179 U.S.A.  
Part No. OR92136  
Revision A

Español pg. 21

# TABLE OF CONTENTS

SECTION	PAGE
Warranty	2
Product Specifications	2
Safety Instructions	3
Grounding Instructions	5
Specific Safety Instructions for Dust Collectors	6
Accessories and Attachments	7
Carton Contents	8
Know Your Dust Collector	9
Assembly Instructions	10
Operating the Dust Collector	13
Dust Collector in the Shop	14
Maintenance	17
Troubleshooting Guide	17
Parts List	18
Español	21
Service Information	Back Cover

## WARRANTY

### FULL ONE YEAR WARRANTY

If this product fails due to a defect in material or workmanship within one year from the date of purchase, return it to the nearest Sears Service Center for repair, free of charge.

This warranty gives you specific legal rights, and you may also have other rights, which vary, from state to state.

Sears, Roebuck and Co., Dept 817 WA, Hoffman Estates, IL 60179

## PRODUCT SPECIFICATIONS

Induction Motor	
Continuous duty HP	1
Maximum developed HP	2
Amps	10.8
Volts	120
Hertz	60
RPM	3450 R.P.M. (no load R.P.M.)
Filter Bag Top	30 micron
Collection Bag Bottom	30 micron
Collection Hose	4-inch Flexible Hose
Maximum C.F.M.	650
Maximum static pressure in inches of water	12
Filter Bag capacity	5.4 cubic feet
Collection Bag capacity	5.4 cubic feet

### WARNING

To avoid electrical shock to yourself and damage to the Dust Collector, use proper circuit protection. Do not expose to rain, or use in a damp environment.

The Dust Collector is factory wired for 120V, 60 Hz, operation. Connect to a 120V, 15 amp branch circuit and use a 15 amp time delay fuse or circuit breaker. The electrical circuit cannot have any wire size less than #14. To avoid shock or fire, replace power cord immediately if it is damaged in any way.

# SAFETY INSTRUCTIONS

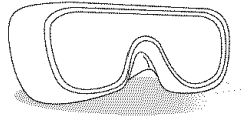
## GENERAL SAFETY INSTRUCTIONS

Operating a Dust Collector can be dangerous if safety and common sense are ignored. The operator must be familiar with the operation of the tool. Read this manual to understand this Dust Collector. **DO NOT** operate this Dust Collector if you do not fully understand the limitations of this tool. **DO NOT** modify this Dust Collector in any way. **REMEMBER:** Your personal safety is your responsibility.

## BEFORE USING THE DUST COLLECTOR

### **▲ WARNING**

To avoid serious injury and damage to the tool, read and follow all of the Safety and Operating Instructions before operating the Dust Collector.

- 1. READ** the entire Owner's Manual. **LEARN** how to use the tool for its intended applications.
  - 2. GROUND ALL TOOLS.** If the tool is supplied with a 3-prong plug, it must be plugged into a 3-contact electrical receptacle. The 3rd prong is used to ground the tool and provide protection against accidental electric shock. **DO NOT** remove the 3rd prong. See Grounding Instructions.
  - 3. AVOID A DANGEROUS WORKING ENVIRONMENT.** **DO NOT** use electrical tools in a damp environment or expose them to rain.
  - 4. DO NOT** use electrical tools in the presence of flammable liquids or gasses.
  - 5. ALWAYS** keep the work area clean, well lit, and organized. **DO NOT** work in an environment with floor surfaces that are slippery from debris, grease, and wax.
  - 6. KEEP VISITORS AND CHILDREN AWAY. DO NOT** permit people to be in the immediate work area, especially when the electrical tool is operating.
  - 7. DO NOT FORCE THE TOOL** to perform an operation for which it was not designed. It will do a safer and higher quality job by only performing operations for which the tool was intended.
  - 8. WEAR PROPER CLOTHING. DO NOT** wear loose clothing, gloves, neckties, or jewelry. These items can get caught in the machine during operations and pull the operator into the moving parts. The user must wear a protective cover on their hair, if the hair is long, to prevent it from contacting any moving parts.
  - 9. ALWAYS WEAR EYE PROTECTION.** Any power tool can throw debris into the eyes during operations, which could cause severe and permanent eye damage. Everyday eyeglasses are **NOT** safety glasses. **ALWAYS** wear Safety Goggles (that comply with ANSI standard Z87.1) when operating power tools. Safety Goggles are available at Sears Retail Stores.
- 
- 10. ALWAYS WEAR HEARING PROTECTION.** Plain cotton is not an acceptable protective device. Hearing equipment should comply with ANSI S3.19 Standards.
  - 11. ALWAYS UNPLUG THE TOOL FROM THE ELECTRICAL RECEPTACLE** when making adjustments, changing parts or performing any maintenance.
  - 12. KEEP PROTECTIVE GUARDS IN PLACE AND IN WORKING ORDER.**
  - 13. AVOID ACCIDENTAL STARTING.** Make sure that the power switch is in the "OFF" position before plugging in the power cord to the electrical receptacle.
  - 14. REMOVE ALL MAINTENANCE TOOLS** from the immediate area prior to turning the tool "ON".
  - 15. USE ONLY RECOMMENDED ACCESSORIES.** Use of incorrect or improper accessories could cause serious injury to the operator and cause damage to the tool. If in doubt, check the instruction manual that comes with that particular accessory.
  - 16. NEVER LEAVE A RUNNING TOOL UNATTENDED.**  
Turn the power switch to the "OFF" position. **DO NOT** leave the tool until it has come to a complete stop.
  - 17. DO NOT STAND ON A TOOL.** Serious injury could result if the tool tips over or you accidentally contact the tool.
  - 18. DO NOT** store anything above or near the tool where anyone might try to stand on the tool to reach it.
  - 19. MAINTAIN YOUR BALANCE. DO NOT** extend yourself over the tool. Wear oil resistant rubbersoled shoes. Keep floor clear of debris, grease, and wax.
  - 20. MAINTAIN TOOLS WITH CARE.** Always keep tools clean and in good working order. Keep all blades and tool bits sharp.

# SAFETY INSTRUCTIONS (con't.)

21. **EACH AND EVERY TIME, CHECK FOR DAMAGED PARTS PRIOR TO USING THE TOOL.**  
Carefully check all guards to see that they operate properly, are not damaged, and perform their intended functions. Check for alignment, binding or breaking of moving parts. A guard or other part that is damaged should be immediately repaired or replaced.
22. **CHILDPROOF THE WORKSHOP AREA** by removing switch keys, unplugging tools from the electrical receptacles, and using padlocks.
23. **DO NOT OPERATE TOOL IF UNDER THE INFLUENCE OF DRUGS OR ALCOHOL.**
24. **SECURE ALL WORK.** When it is possible, use clamps or jigs to secure the work-piece. This is safer than attempting to hold the work-piece with your hands.
25. **STAY ALERT, WATCH WHAT YOU ARE DOING, AND USE COMMON SENSE WHEN OPERATING A POWER TOOL. DO NOT USE A TOOL WHILE TIRED OR UNDER THE INFLUENCE OF DRUGS, ALCOHOL, OR MEDICATION.** A moment of inattention while operating power tools may result in serious personal injury.
26. **ALWAYS WEAR A DUST MASK TO PREVENT INHALING DANGEROUS DUST OR AIRBORNE PARTICLES,** including wood dust, crystalline silica dust and asbestos dust. Direct particles away from face and body. Always operate tool in well ventilated area and provide for proper dust removal. Use dust collection system whenever possible. Exposure to the dust may cause serious and permanent respiratory or other injury, including silicosis (a serious lung disease), cancer, and death. Avoid breathing the dust, and avoid prolonged contact with dust. Allowing dust to get into your mouth or eyes, or lay on your skin may promote absorption of harmful material. Always use properly fitting NIOSH/OSHA approved respiratory protection appropriate for the dust exposure, and wash exposed areas with soap and water.
27. **USE A PROPER EXTENSION CORD IN GOOD CONDITION.** When using an extension cord, be sure to use one heavy enough to carry the current your product will draw. Please see minimum recommended gauge for extension cords (AWG) table for correct sizing of an extension cord. If in doubt, use the next heavier gauge.

The smaller the gauge number, the larger diameter of the extension cord. If in doubt of the proper size of an extension cord, use a shorter and thicker cord. An undersized cord will cause a drop in line voltage resulting in a loss of power and overheating. **USE ONLY A 3-WIRE EXTENSION CORD THAT HAS A 3-PRONG GROUNDING PLUG AND A 3-POLE RECEPTACLE THAT ACCEPTS THE TOOL'S PLUG.**

## GUIDELINES FOR EXTENSION CORDS

If you are using an extension cord outdoors, be sure it is marked with the suffix "W-A" ("W" in Canada) to indicate that it is acceptable for outdoor use.

**Be sure your extension cord is properly sized,** and in good electrical condition. Always replace a damaged extension cord or have it repaired by a qualified person before using it.

**Protect your extension cords from sharp objects,** excessive heat, and damp or wet areas.

MINIMUM RECOMMENDED GAUGE FOR EXTENSION CORDS (AWG)			
120 VOLT OPERATION ONLY			
	25' LONG	50' LONG	100' LONG
0 to 6 Amps	18 AWG	16 AWG	16 AWG
6 to 10 Amps	18 AWG	16 AWG	14 AWG
10 to 12 Amps	16 AWG	16 AWG	14 AWG

# GROUNDING INSTRUCTIONS

## **⚠ WARNING**

**THIS TOOL MUST BE GROUNDED WHILE IN USE TO PROTECT THE OPERATOR FROM ELECTRIC SHOCK.**

**IN THE EVENT OF A MALFUNCTION OR BREAK-DOWN**, grounding provides the path of least resistance for electric current and reduces the risk of electric shock. This tool is equipped with an electric cord that has an equipment-grounding conductor and a grounding plug. The plug **MUST** be plugged into a matching electrical receptacle that is properly installed and grounded in accordance with ALL local codes and ordinances.

**DO NOT MODIFY THE PLUG PROVIDED.** If it will not fit the electrical receptacle, have the proper electrical receptacle installed by a qualified electrician.

**IMPROPER ELECTRICAL CONNECTION** of the equipment-grounding conductor can result in risk of electric shock. The conductor with the green insulation (with or without yellow stripes) is the equipment-grounding conductor. **DO NOT** connect the equipment-grounding conductor to a live terminal if repair or replacement of the electric cord or plug is necessary.

**CHECK** with a qualified electrician or service personnel if you do not completely understand the grounding instructions, or if you are not sure the tool is properly grounded.

The motor supplied with your Dust Collector is a 120-volt, single-phase motor. It is shipped wired for 120-volt application. Never connect the green wire to a live terminal. See **OPERATING DUST COLLECTOR** section for directions on changing motor voltage.

**USE ONLY A 3-WIRE EXTENSION CORD THAT HAS A 3-PRONG GROUNDING PLUG AND A 3-POLE RECEPTACLE THAT ACCEPTS THE TOOL'S PLUG.**

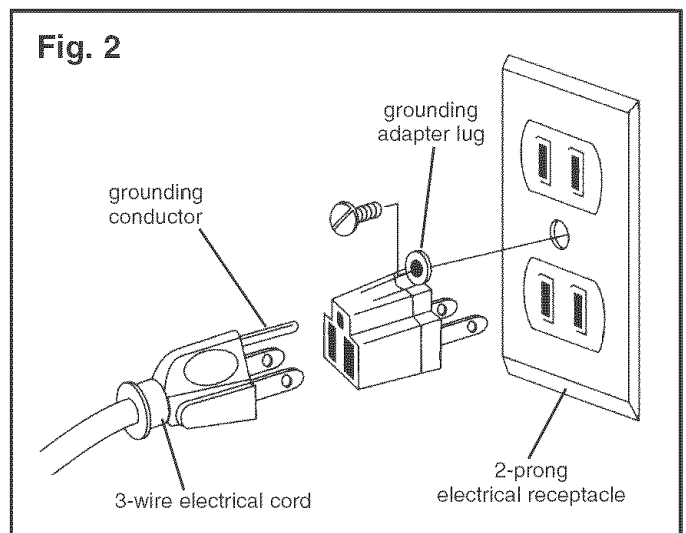
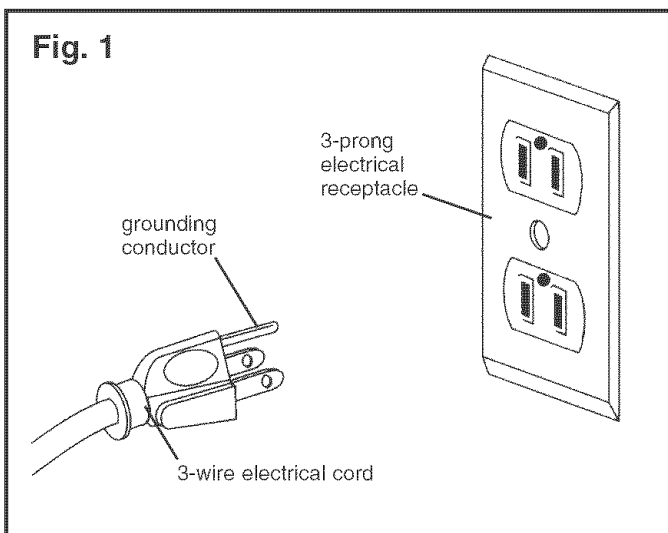
**REPLACE A DAMAGED OR WORN CORD IMMEDIATELY.**

This tool is intended for use on a circuit that has an electrical receptacle as shown in **FIGURE 1**. **FIGURE 1** shows a 3-wire electrical plug and electrical receptacle that has a grounding conductor. If a properly grounded electrical receptacle is not available, an adapter as shown in **FIGURE 2** can be used to temporarily connect this plug to a 2-contact ungrounded receptacle. The adapter has a rigid lug extending from it that **MUST** be connected to a permanent earth ground, such as a properly grounded receptacle box. **THIS ADAPTER IS PROHIBITED IN CANADA.**

**CAUTION:** In all cases, make certain the electrical receptacle in question is properly grounded. If you are not sure have a certified electrician check the electrical receptacle.

## **⚠ WARNING**

This Dust Collector is for indoor use only. Do not expose to rain or use in damp locations.



## SPECIFIC SAFETY INSTRUCTIONS FOR DUST COLLECTORS

The operation of any Dust Collector can result in debris being thrown into your eyes, which can result in severe eye damage. **ALWAYS** Wear Safety Goggles (that comply with ANSI standard Z87.1) when operating the Dust Collector. Safety Goggles are available at Sears Retail Stores. Keep your thumbs and fingers away from intake ports.

Basic precautions should always be followed when using your dust collector. To reduce the risk of injury, electrical shock or fire, comply with the safety rules listed below:

1. **READ** and understand the instruction manual before operating the dust collector.
2. **DO NOT OPERATE THIS MACHINE** until it is assembled and installed according to the instructions.
3. **OBTAIN ADVICE FROM YOUR SUPERVISOR**, instructor, or another qualified person if you are not familiar with the operation of this machine.
4. **DO NOT** leave the dust collector plugged into the electrical outlet. Unplug dust collector from the outlet when not in use and before servicing, changing bags, unclogging and cleaning.
5. **ALWAYS** turn the power switch "OFF" before unplugging the dust collector.
6. **TO REDUCE THE RISK OF ELECTRICAL SHOCK**, do not use outdoors. Do not expose to rain. Store indoors. Use only for dry pick up.
7. **FOLLOW** all electrical and safety codes, including the National Electric Code (NEC) and the Occupational Safety and Health Regulations (OSHA). All electrical connections and wiring should be made by qualified personnel only.
8. **DO NOT** handle the plug or dust collector with wet hands.
9. **DO NOT** use the dust collector to pick up flammable or combustible liquids, such as gasoline. **NEVER** use the dust collector near any flammable or combustible liquids.
10. **USE** the dust collector to pick up wood materials only. **DO NOT** use the dust collector to pick up metal shavings, metal dust, or parts.
11. **NEVER** use the dust collector to dissipate fumes or smoke. **NEVER** pick up anything that is burning or smoking, such as cigarettes, matches or hot ashes.
12. **USE** only as described in this manual. **USE** accessories only recommended by Sears.
13. **DO NOT** pull the dust collector by the power cord. **NEVER** allow the power cord to come in contact with sharp edges, hot surfaces, oil or grease.
14. **DO NOT** unplug the dust collector by pulling on the power cord. **ALWAYS** grasp the plug, not the cord.
15. **DO NOT** handle the plug or dust collector with wet hands.
16. **REPLACE** a damaged cord immediately. **DO NOT** use a damaged cord or plug. If the dust collector is not operating properly, or has been damaged, left outdoors or has been in contact with water, return it to a Sears Service Center.
17. **DO NOT** use the dust collector as a toy. **DO NOT** use near or around children.
18. **DO NOT** insert fingers or foreign objects into the dust intake port. Keep hair, loose clothing, fingers, and all body parts away from openings and moving parts of the dust collector.
19. **DO NOT** use the dust collector without the dust collection bag in place and properly secured.
20. **ALWAYS** use safety gates or caps to cover dust ports when the dust collector is not in use or mounted to a supporting surface for storage.
21. **PERIODICALLY INSPECT** dust bag for any cuts, rips or tears. **NEVER** operate the dust collector with a damaged bag or vacuum hose.
22. The dust collector is designed for home use or light commercial duty **ONLY**.
23. **CONNECT** dust collector to a properly grounded outlet only. See grounding instructions.
24. **ADDITIONAL INFORMATION** regarding the safe and proper operation of this product is available from the National Safety Council, 1121 Spring Lake Drive, Itasca, IL 60143-3201 in the Accident Prevention Manual for Industrial Operation and also in the Safety Data Sheets provided by the NSC. Please also refer to the American National Standards Institute ANSI 01.1 Safety Requirements for Woodworking Machinery and the U.S. Department of Labor OSHA 1910.213 Regulations.
25. **SAVE THESE INSTRUCTIONS**. Refer to them frequently and use them to instruct other users.

# ACCESSORIES AND ATTACHMENTS

## AVAILABLE ACCESSORIES

Visit your Sears Hardware Department or see the Sears Power and Hand Tool Catalog for the following accessories.

<u>ITEM</u>	<u>STOCK NUMBER</u>
30 micron filter bag (top)	21376
5 micron filter bag (top)	21377
Plastic collection bag (bottom)	21378
4" Diameter x 10' flexible hose	21372
4" Diameter x 25' flexible hose	21373
Various accessory fittings	See catalog or store

Sears may recommend other accessories not listed in this manual.

See your nearest Sears Hardware Department or Sears Power and Hand Tool Catalog for other accessories.

Do not use any accessory unless you have completely read the Owner's Manual for that accessory.

### **▲ WARNING**

Use only accessories recommended for this Dust Collector. Using other accessories may cause serious injury and cause damage to the Dust Collector.

# CARTON CONTENTS

## UNPACKING AND CHECKING CONTENTS (Figure 3)

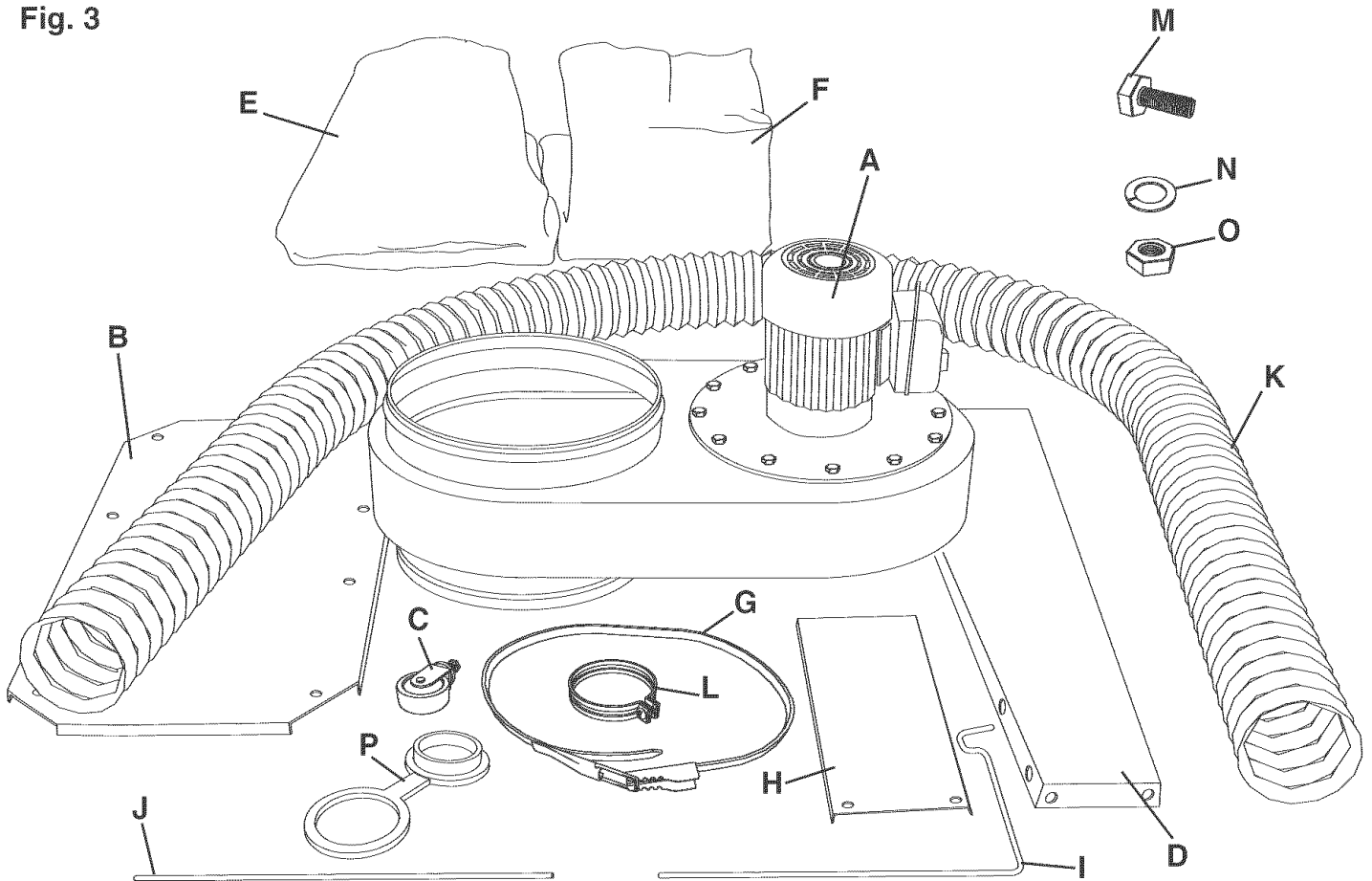
This Dust Collector will require a minimal amount of assembly.

Remove all of the parts from the shipping box and lay them on a clean work surface. Compare the items to figure 3, verify that all items are accounted for before discarding the shipping box.

## ⚠ WARNING

If any parts are missing, do not attempt to plug in the power cord and turn "ON" the Dust Collector. The Dust Collector can only be turned "ON" after all the parts have been obtained and installed correctly.

Fig. 3

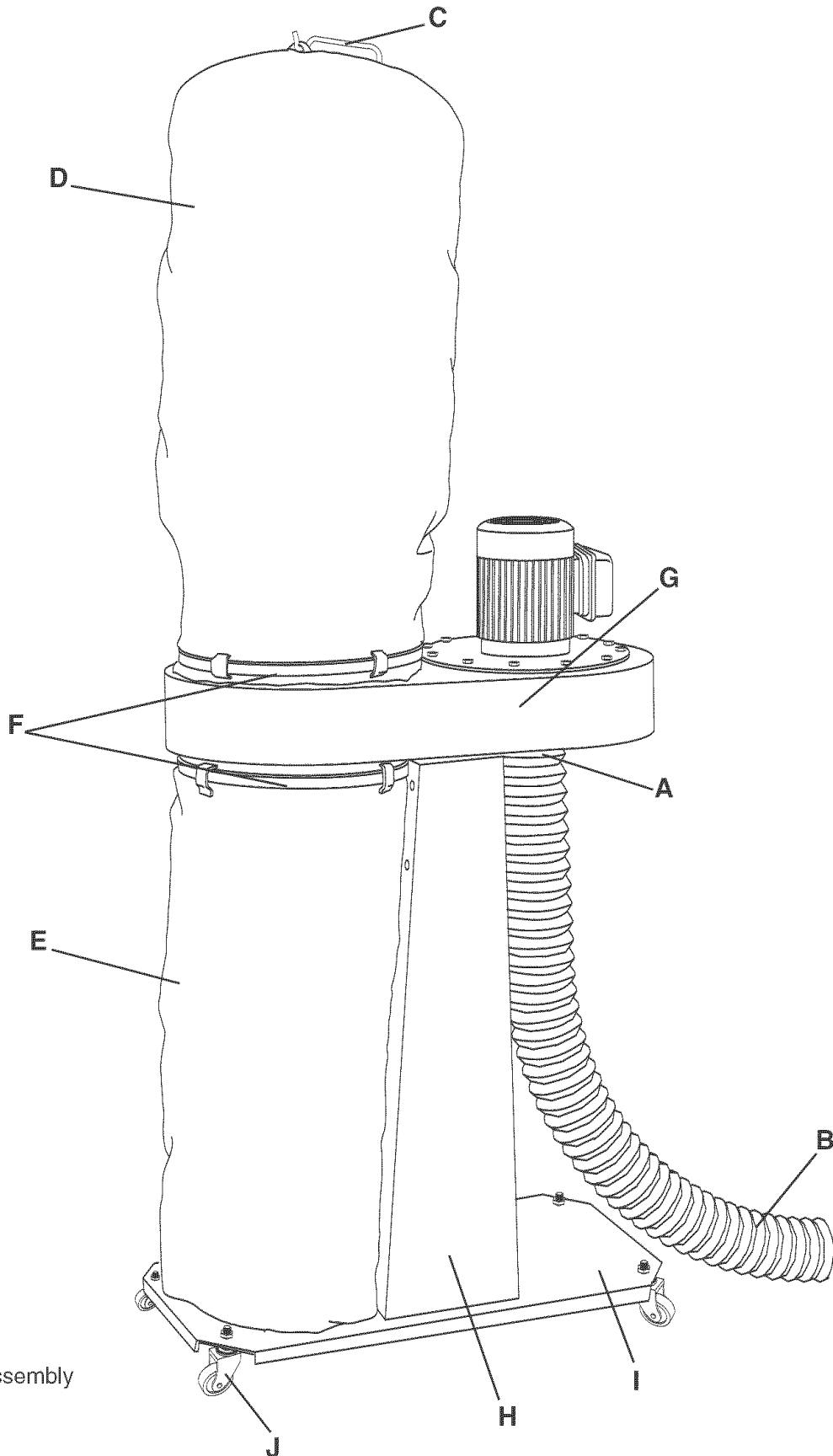


- |                              |   |
|------------------------------|---|
| A. Motor and blower assembly | J. Lower Support Rod                      |
| B. Base                      | K. 4-inch flexible hose                   |
| C. Swivel caster (4)         | L. 4-inch hose clamp (2)                  |
| D. Side support (2)          | M. 5/16-18 x 5/8" Hex head screw (12)     |
| E. Filter bag                | N. 5/16" Lock washer (4)                  |
| F. Collection bag            | O. 5/16-18 Hex nut (1)                    |
| G. Locking band (2)          | P. Intake port cap                        |
| H. Support                   | Q. 5/16-18 Flange hex nut (8) (not shown) |
| I. Filter Bag Hanger         | R. 3/8-16 Flange hex nut (4) (not shown)  |



# KNOW YOUR DUST COLLECTOR

Fig. 4



- A. 4-inch Intake Port
- B. 4-inch Flexible Hose
- C. Filter Bag Hanger
- D. Filter Bag
- E. Collection Bag
- F. Locking Band
- G. Blower and Motor Assembly
- H. Side Support
- I. Base
- J. Caster

# ASSEMBLY INSTRUCTIONS

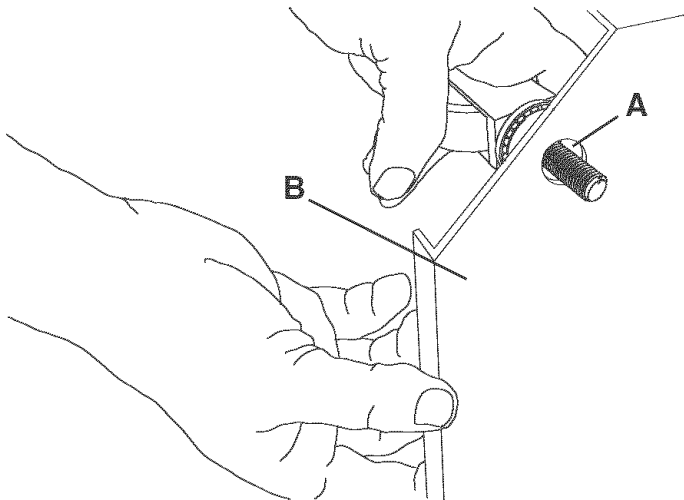
## **⚠ WARNING**

1. **DO NOT** assemble the Dust Collector until you are sure the tool **IS NOT** plugged in.
2. **DO NOT** assemble the Dust Collector until you are sure the power switch is in the "OFF" position.
3. For your own safety, **DO NOT** connect the machine to the power source until the machine is completely assembled and you read and understand the entire Owner's Manual.

## SWIVEL CASTER TO BASE ASSEMBLY

**MAKE CERTAIN THE DUST COLLECTOR IS DISCONNECTED FROM THE POWER SOURCE.**

Fig. 5



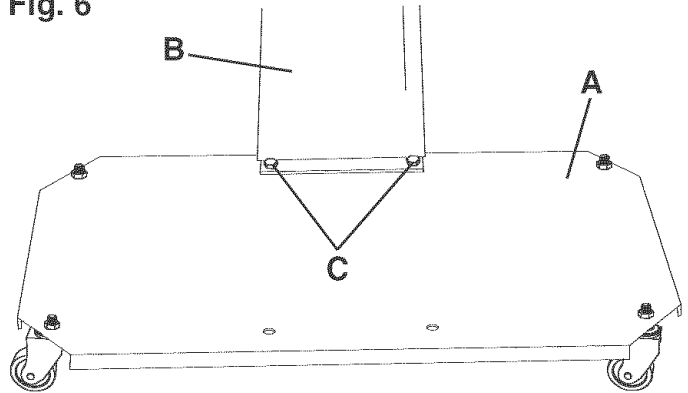
1. Insert bolt from swivel caster through one of the four holes (A) in the base (B), three are not shown. See figure 5.
2. Place 3/8-16 flange hex nut onto bolt of swivel caster and tighten.
3. Repeat Steps 1, 2 and 3 for the remaining three swivel caster assemblies.

## SIDE SUPPORT ASSEMBLY

### **⚠ WARNING**

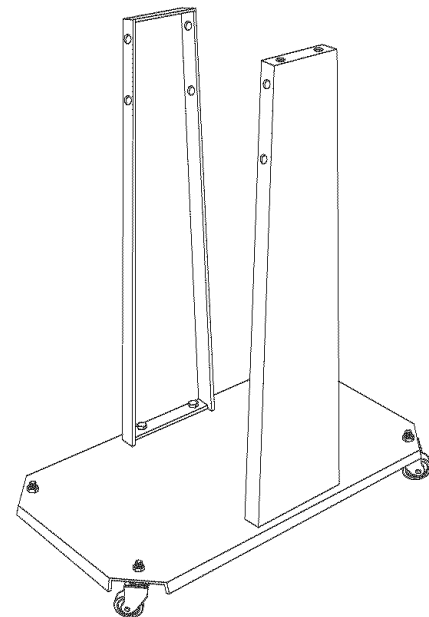
**MAKE CERTAIN THE DUST COLLECTOR IS DISCONNECTED FROM THE POWER SOURCE.**

Fig. 6



1. Place the base (A) in an upright position. See figure 6.
2. Align two holes in the wider end of side support (B) with two holes (C) in the base. See figure 6.
3. Insert a 5/16-18 x 5/8" hex head screw through each of the two holes in the side support and base.
4. Place a 5/16-18 flange hex nut onto each screw and tighten securely.

Fig. 7



5. Repeat Steps 1, 2, 3, and 4 to assemble the second side support. See figure 7.

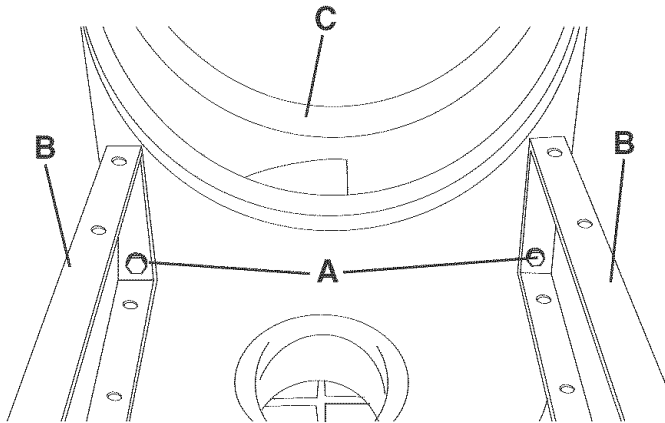
## MOTOR AND BLOWER TO BASE ASSEMBLY

### **▲ WARNING**

MAKE CERTAIN THE DUST COLLECTOR IS DISCONNECTED FROM THE POWER SOURCE.

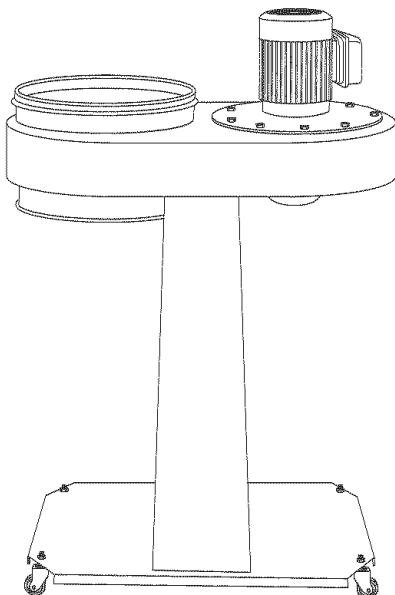
1. Place motor and blower assembly and base on their side with intake port pointing towards base.

Fig. 8



2. Align the four holes, two shown (A) on the top of both side supports (B) with four holes in the motor and blower assembly (C). See figure 8.
3. Place a 5/16" lock washer onto a 5/16-18 x 3/4" hex head screw and insert the screw through the side support and thread screw into tapped hole in the motor and blower assembly. Do not completely tighten.
4. Repeat this process for the remaining three holes; tighten securely.

Fig. 9



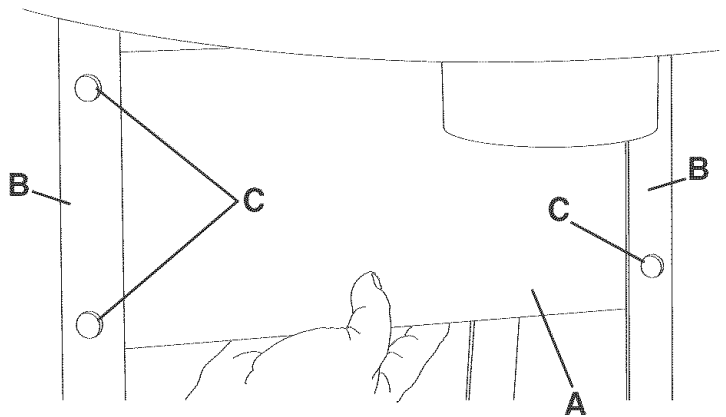
5. Figure 9 shows the motor and blower assembly attached to the side supports.

## SUPPORT ASSEMBLY

### **▲ WARNING**

MAKE CERTAIN THE DUST COLLECTOR IS DISCONNECTED FROM THE POWER SOURCE.

Fig. 10



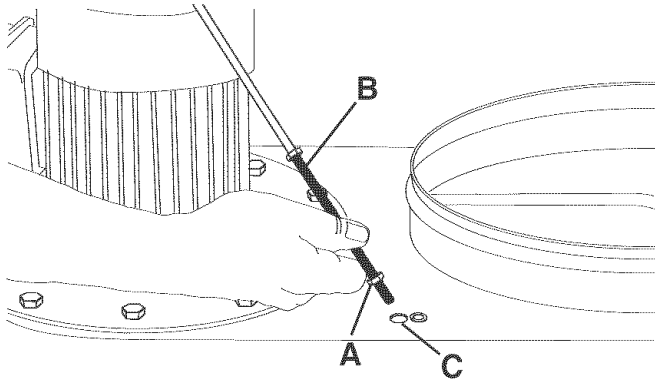
1. Place the support (A) inside the two side supports (B). **MAKE CERTAIN THE SUPPORT IS ATTACHED TO THE SIDE SUPPORTS CLOSEST TO THE MOTOR.** See figure 10.
2. Align the four holes (C) three shown, in the support with the four holes in the side supports. See figure 10.
3. Insert a 5/16-18 x 5/8" hex head screw through the side support and support.
4. Place a 5/16-18 flange hex nut onto the 5/16-18 x 5/8" hex head screw. Do not completely tighten.
5. Repeat Steps 3 and 4 for remaining three holes and tighten securely.

## FILTER AND COLLECTION BAG TO DRUM ASSEMBLY

### **⚠ WARNING**

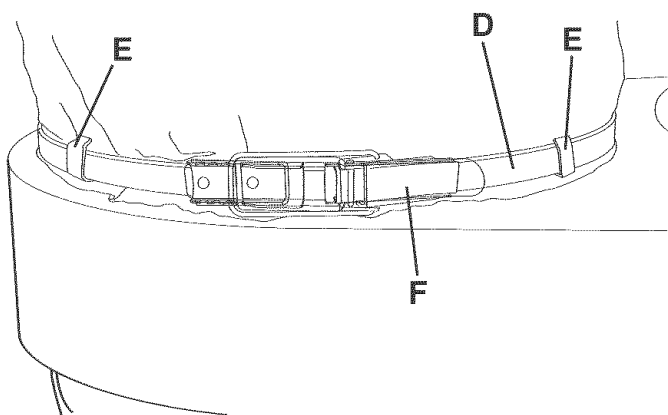
**MAKE CERTAIN THE DUST COLLECTOR IS DISCONNECTED FROM THE POWER SOURCE.**

**Fig. 11**



1. Thread 5/16-18 hex nut (A) onto the end of lower support rod (B). Thread lower support rod about 1/2 inch into the tapped hole (C) on top of the blower and motor assembly. Tighten the 5/16-18 hex nut on the lower support rod against the blower and motor assembly. See figure 11.
2. Place the end of filter bag hanger into the mating end of the lower support. Hook the loop on the top filter bag onto hook of the filter bag hanger. See figure 4 on page 9.

**Fig. 12**



3. Insert locking band (D) through all the loops of filter bag (E). Position the open end of the filter bag over the top lip of the drum. Make certain the locking band is positioned in the upper recessed channel of the drum and fasten clamp (F) securely to drum. See figure 12.

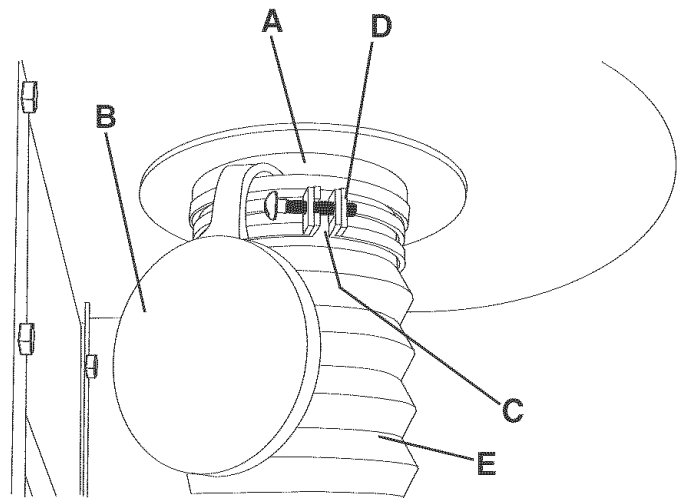
4. Place the second locking band through all the loops of the collection bag, similar to the filter bag.
5. Place the collection bag over the lower lip of the drum. Make certain the locking band is positioned in the lower recessed channel of the drum and fasten clamp securely to drum.

## INTAKE PORT CAP AND HOSE ASSEMBLY

### **⚠ WARNING**

**MAKE CERTAIN THE DUST COLLECTOR IS DISCONNECTED FROM THE POWER SOURCE.**

**Fig. 13**



1. Slide the collar (A) of the intake port cap (B) over intake port (C). Make sure the collar is positioned to the back if you intend to attach the hose at this time. See figure 13.
2. Place 4-inch hose clamp (D) onto the end of 4-inch flexible hose (E). See figure 13.
3. Slide the end of 4-inch flexible hose with 4-inch hose clamp onto intake port and tighten securely.

**IMPORTANT:** When connecting a flexible hose to intake port, **DO NOT REMOVE THE INTAKE PORT CAP COLLAR FROM THE INTAKE PORT.** Slide the collar of intake port cap further back when attaching a flexible hose.

# OPERATING THE DUST COLLECTOR

## **⚠ WARNING**

**FOR OPERATOR SAFETY**, keep fingers and all foreign objects out of the intake ports. The rotating fan inside the blower housing is accessible through the intake ports and is hazardous. Do not wear loose clothing or jewelry. Make certain that each intake port which is not being used or attached to a dust collection system is covered with an intake port cap.

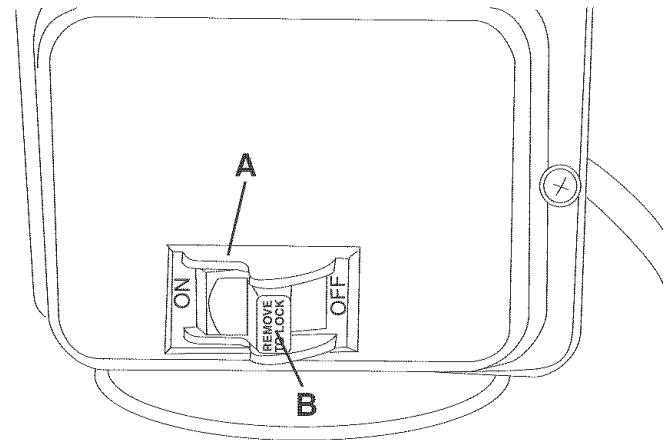
## **CONNECTING TOOL TO POWER SOURCE**

A separate electrical circuit should be used for your tools. This circuit should not be less than #14 A. W. G. wire and should be protected with a 15-amp time lag fuse. Have a qualified electrician repair or replace damaged or worn cord immediately. Before connecting the motor to the power line, make certain the switch is in the "OFF" position and be sure that the electric current is of the same characteristics as stamped on the motor nameplate. All line connections should make good contact. Running on low voltage will damage the motor.

## **⚠ WARNING**

**DO NOT EXPOSE THE DUST COLLECTOR TO RAIN OR OPERATE THE MACHINE IN DAMP LOCATIONS.**

Fig. 14



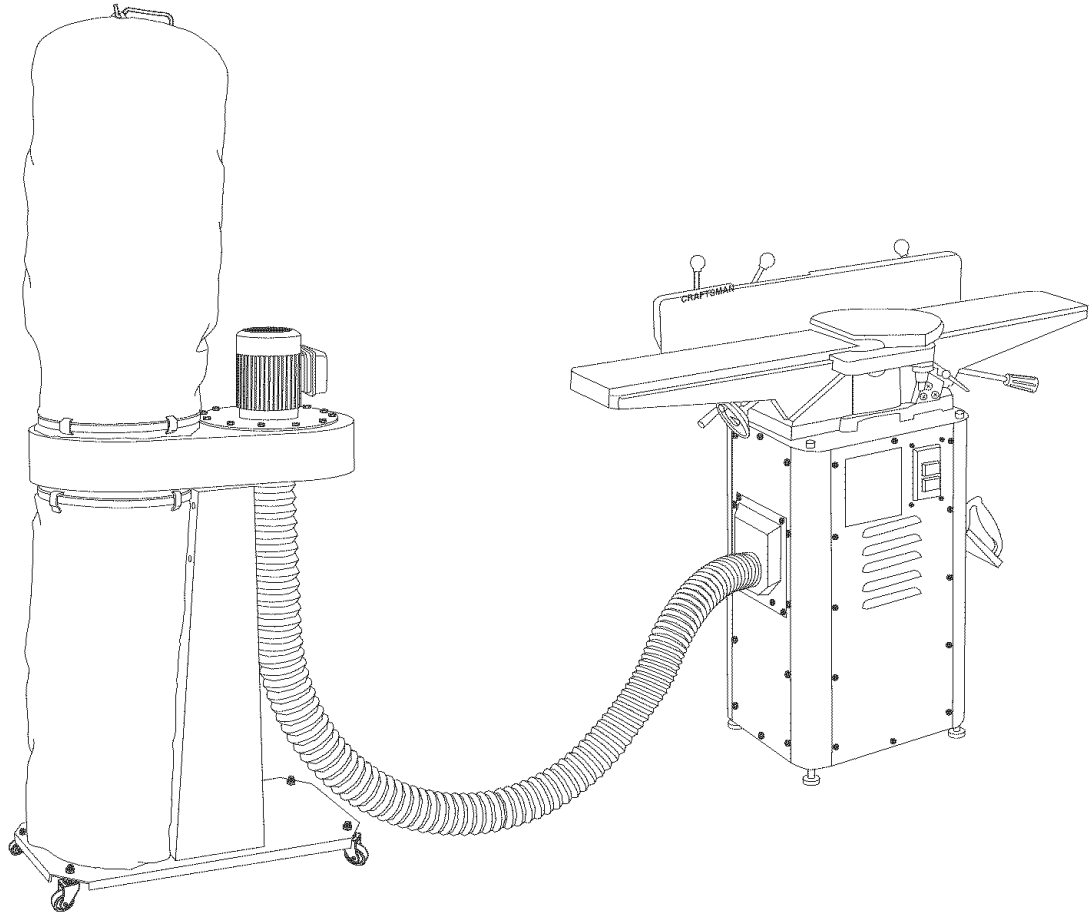
## **ON/OFF SWITCH**

The ON/OFF switch assembly is located on the side of the motor. To turn the dust collector "ON", move the switch (A) up to the "ON" position. To turn the dust collector "OFF", move the same switch down to the "OFF" position. See figure 14.

## **LOCKING SWITCH IN THE "OFF" POSITION**

When the Dust Collector is not in use, the switch key (B) should be removed so that it cannot be started. Grasp the switch key and pull it out of the switch assembly. With the switch key removed, the switch will not operate. However, should the switch key be removed while the dust collector is running, it can be turned "OFF", but cannot be restarted without inserting the switch key. See figure 14.

# DUST COLLECTOR IN THE SHOP



Below are some terms that will help you to understand and setup your Dust Collector and design your own Dust Collection System.

**Dust Collector** – A machine used to collect fine wood dust and chips.

**Dust Collection System** – A dust collector connected to multiple woodworking machines utilizing various types of hose/pipe and fittings.

**C.F.M.** = Cubic Feet/Minute – A measurement of the amount of air volume that can move through a dust collector in one minute.

**Static Pressure** – A measurement of the amount of the resistance to airflow in a dust collection system.

## THINGS TO CONSIDER:

- What is the maximum C.F.M. required for each tool you intend to use? Your Dust Collector should be rated for the tool that has the highest C.F.M. requirement.
- Will two or more tools be running at the same time? The Dust Collector should be rated to handle the combined C.F.M. requirements of all operating tools.

## HELPFUL HINTS:

- Always run the largest appropriate diameter hose as far as possible. Running a smaller diameter hose will greatly reduce the C.F.M. at the tool, yielding marginal dust collection.
- The use of a low rated micron filter and collection bag can increase the effectiveness of your dust collector in removing fine particles of dust.
- Determine if you are to use your Dust Collector in a Dust Collection System or as a direct hook-up to an individual tool. If used in a Dust Collection System, review Static Pressure Requirements below.

## ⚠ WARNING

To protect yourself from a static shock, ground the dust collection system to a known ground.

If using the Dust Collector in a Dust Collector System, make certain to:

- Ground the dust collection system to a known ground.
- Always keep blast gates closed to unused tools.
- Make all runs as short as possible, minimizing the number of bends or turns that could greatly reduce the efficiency of your Dust Collector.
- Position the tools that have the highest C.F.M. ratings closest to the Dust Collector.

# DUST COLLECTOR IN THE SHOP

## C.F.M. REQUIREMENTS FOR TOOLS

<u>Machine</u>	<u>Minimum C.F.M. Required</u>	<u>Minimum Duct Diameter</u>
Band Saw (12 to 16-inch)	350 C.F.M.	4-inch
Belt/Disc Sander	450 C.F.M.	5-inch
Drill Press	350 – 400 C.F.M.	4-inch
Drum Sander (12 to 24-inch)	550 – 700 C.F.M.	5-inch
Floor Sweep	350 – 400 C.F.M.	4 to 5-inch
Jointer (up to 8-inch)	350 – 400 C.F.M.	4 to 5-inch
Jointer (over 8-inch)	450 – 550 C.F.M.	5-inch
Radial Arm Saw	450 – 600 C.F.M.	5-inch
Miter Saw	450 – 600 C.F.M.	5-inch
Router Table	200 C.F.M.	3-inch
Scroll Saw	200 C.F.M.	3-inch
Spindle Sander	400 C.F.M.	4-inch
Table Saw (10-inch)	350 C.F.M.	4-inch
Thickness Planer (10 to 15-inch)	400 C.F.M.	4-inch
Thickness Planer (16 to 20-inch)	600 – 800 C.F.M.	5 to 6-inch

## STATIC PRESSURE REQUIREMENTS FOR A DUST COLLECTION SYSTEM

Using **STEPS 1 thru 4** and the “**Static Pressure Requirement Chart**” you can determine the static pressure required for your Dust Collector.

Step #1: Multiply the number of feet of Hose/Pipe times the appropriate inches rating.

*Example:* 40 feet of 4-inch diameter ribbed tubing x .11 = **4.4 Total**

Step #2: Multiply the fittings times the ratings and add them together.

*Example:* Two 90-degree Elbows (using 4-inch diameter Hose) = .84 PLUS two 90-degree T-fittings = .98  
**Total = 1.82**

Step #3: Add **2.5** for the Machine Hook-up and “Dirty Bag” factors (1.5 for Hook-ups + 1.0 for Dirty Bag).

Step #4: Total the above three calculations. This total should not exceed the maximum static pressure for your Dust Collector.

*Example:* 4.4 (Total Step #1) x 1.82 (Total Step #2) + 2.5 (Total Step #3) = **8.72**

**For this example a Dust Collector with a Static Pressure rating of over 8.72 or higher is required. See Product Specifications on page 2 for your dust collector maximum static pressure.**

**NOTE:** To determine if you have met the Static Pressure Requirement when using a Dust Collection System, identify the branch of the system with the highest static pressure requirement first. If you run your Dust Collection System with more than one blast gate open, add the static pressure from all branches that are open to determine the total static pressure requirements.

### Static Pressure Requirement Chart

Size of Hose	Hose/Pipe Rigid Pipe (per foot)	Ribbed Tubing (per foot)	90-degree Elbow	90-degree Elbow	45-degree T-fitting	Machine Hook-Up	“Dirty Bag” Adjustment
3	.10	.15	.50	.60	.25	1.50	1.0
4	.07	.11	.42	.49	.21	1.50	1.0
5	.055	.08	.49	.55	.25	1.50	1.0

# DUST COLLECTOR IN THE SHOP

To purchase any of the Dust Collection Accessories listed below, visit your nearest Sears Store.

## Various Fittings:

21340	3-inch Hose Coupling	21341	4-inch Hose Coupling
21363	3-inch 90-degree Elbow	21364	4-inch 90-degree Elbow
21365	3-inch Y-Fitting	21366	4-inch Y-Fitting
21367	3-inch T-Fitting	21368	4-inch T-Fitting

## Hose:

21370	3-inch x 10-foot Flexible Hose
21371	3-inch x 25-foot Flexible Hose
21372	4-inch x 10-foot Flexible Hose
21373	4-inch x 25-foot Flexible Hose

## Blast Gates

21359	3-inch Blast Gate - Plastic	21360	4-inch Blast Gate - Plastic
21361	3-inch Blast Gate - Aluminum	21362	4-inch Blast Gate - Aluminum

## Reducers:

21347	5 to 4-inch Reducer	21348	4 to 3-inch Reducer
21349	4 to 2-1/2-inch Reducer	21351	3 to 2-1/2-inch Reducer
21352	3 to 2-inch Reducer	21353	2-1/2 to 1-1/2-inch Reducer

## Hose Clamps (Qty 2 per Pack)

21354	2-inch Hose Clamp	21355	2-1/2-inch Hose Clamp
21356	3-inch Hose Clamp	21357	4-inch Hose Clamp
21358	5-inch Hose Clamp		

## Dust Hoods:

21342	Jointer Dust Hood, 8-1/4" x 8-1/4" x 4" Diameter
21343	Jointer Dust Hood, 10-1/4" x 8-1/2" x 4" Diameter
21344	Table Saw Dust Hood, 12-1/4" x 12-1/4" x 4" Diameter
21345	Table Saw Dust Hood, 14" x 14" x 4" Diameter
21346	Universal Dust Hood, 6-1/4" x 6-1/4" x 4" Diameter

## Floor Sweep:

21369	Floor Sweep
-------	-------------

## Kits:

21350	Wall Mounting Kit	(contains: 6 - wall clamps, 12-screws & 12-anchors)
21375	Dust Collector Accessory Kit	(contains: 2-#21372, 1-#21344, 1-#21342, 1-#21346, 4-#21360, 1-#21369, 1-#21366, 1-#21350 & 5-#21357)



# MAINTENANCE OF THE DUST COLLECTOR

## ⚠ WARNING

Turn the power switch "OFF" and unplug the power cord from its power source prior to any maintenance. Always make sure that the intake port caps covers the intake port when a hose is not connected to the dust collector.

## LUBRICATION

The Dust Collector has sealed lubricated bearings in the motor housing that does not require any additional lubrication from the operator.

## CLEANING

With the Dust Collector unplugged, blow off motor with low pressure air to remove dust or dirt. Air pressure above 50 P. S. I. should not be used as high-pressured

air may damage insulation. The operator should always wear eye protection when using compressed air.

Do not allow chips and dust to accumulate under dust collector. Keep area clean and in safe order.

**CAUTION: DO NOT USE FLAMMABLE MATERIALS** to clean Dust Collector.

## ⚠ WARNING

Repairs to the Dust Collector should be performed by trained personnel only. Contact your nearest Sears Service Center for authorized service. Unauthorized repairs or replacement with non-factory parts could cause serious injury to the operator and damage to the Dust Collector.

# TROUBLESHOOTING GUIDE

**TO PREVENT INJURY TO YOURSELF** or damage to the Dust Collector, turn the switch to the "OFF" position and unplug the power cord from the electrical receptacle before making any adjustments.

PROBLEM	LIKELY CAUSE(S)	SOLUTION
<b>Motor does not start</b>	<ol style="list-style-type: none"> <li>1. Switch not pressed in far enough or switch in the "OFF" position</li> <li>2. Defective switch</li> <li>3. Defective capacitor</li> <li>4. Low line voltage</li> <li>5. Defective motor</li> </ol>	<ol style="list-style-type: none"> <li>1. Depress switch in 1/2 inch or make sure switch is in the "ON" position.</li> <li>2. Have switch replaced.</li> <li>3. Have capacitor replaced.</li> <li>4. Correct low line voltage condition.</li> <li>5. Have motor replaced/repaired.</li> </ol> <p>NOTE: 2, 3 and 4 must be done by a qualified service technician; Contact Sears service.</p>
<b>Motor stalls (resulting in blown fuses or tripped circuit breakers)</b>	<ol style="list-style-type: none"> <li>1. Circuit overload</li> <li>2. Low line voltage</li> <li>3. Chips or debris clogged impeller.</li> <li>4. Motor overload</li> <li>5. Incorrect fuses on circuit breakers</li> <li>6. Short circuit in motor; loose connections or worn insulation on lead wires</li> </ol>	<ol style="list-style-type: none"> <li>1. Reduce circuit load</li> <li>2. Correct low line voltage condition.</li> <li>3. Clean all hoses, bags and blower housing of chips and debris.</li> <li>4. Reduce load on motor.</li> <li>5. Have correct fuses on circuit breakers installed.</li> <li>6. Inspect terminals in motor for damaged insulation and shorted wires and have them replaced.</li> </ol>
<b>Motor starts slowly or fails to come to full speed</b>	<ol style="list-style-type: none"> <li>1. Defective motor windings</li> <li>2. Defective capacitor</li> </ol>	<ol style="list-style-type: none"> <li>1. Have motor replaced/repaired.</li> <li>2. Have capacitor replaced.</li> </ol>
<b>Motor running too hot</b>	<ol style="list-style-type: none"> <li>1. Restricted air circulation due to dust accumulation.</li> <li>2. Motor overload</li> </ol>	<ol style="list-style-type: none"> <li>1A. Clean dust and restore normal air circulation.</li> <li>1B. Empty and clean filter and collection bags.</li> <li>2. Reduce load on motor.</li> </ol>
<b>Frequent opening of fuse or circuit breakers</b>	<ol style="list-style-type: none"> <li>1. Fuses or circuit breakers do not have sufficient capacity</li> <li>2. Circuit overloaded</li> <li>3. Motor overload</li> </ol>	<ol style="list-style-type: none"> <li>1. Have correct fuses or circuit breakers installed.</li> <li>2. Reduce circuit load (turn off other appliances).</li> <li>3. Reduce load on motor.</li> </ol>

# PARTS

## PORTABLE DUST COLLECTOR PARTS LIST

MODEL NO.152.213361

### **⚠ WARNING**

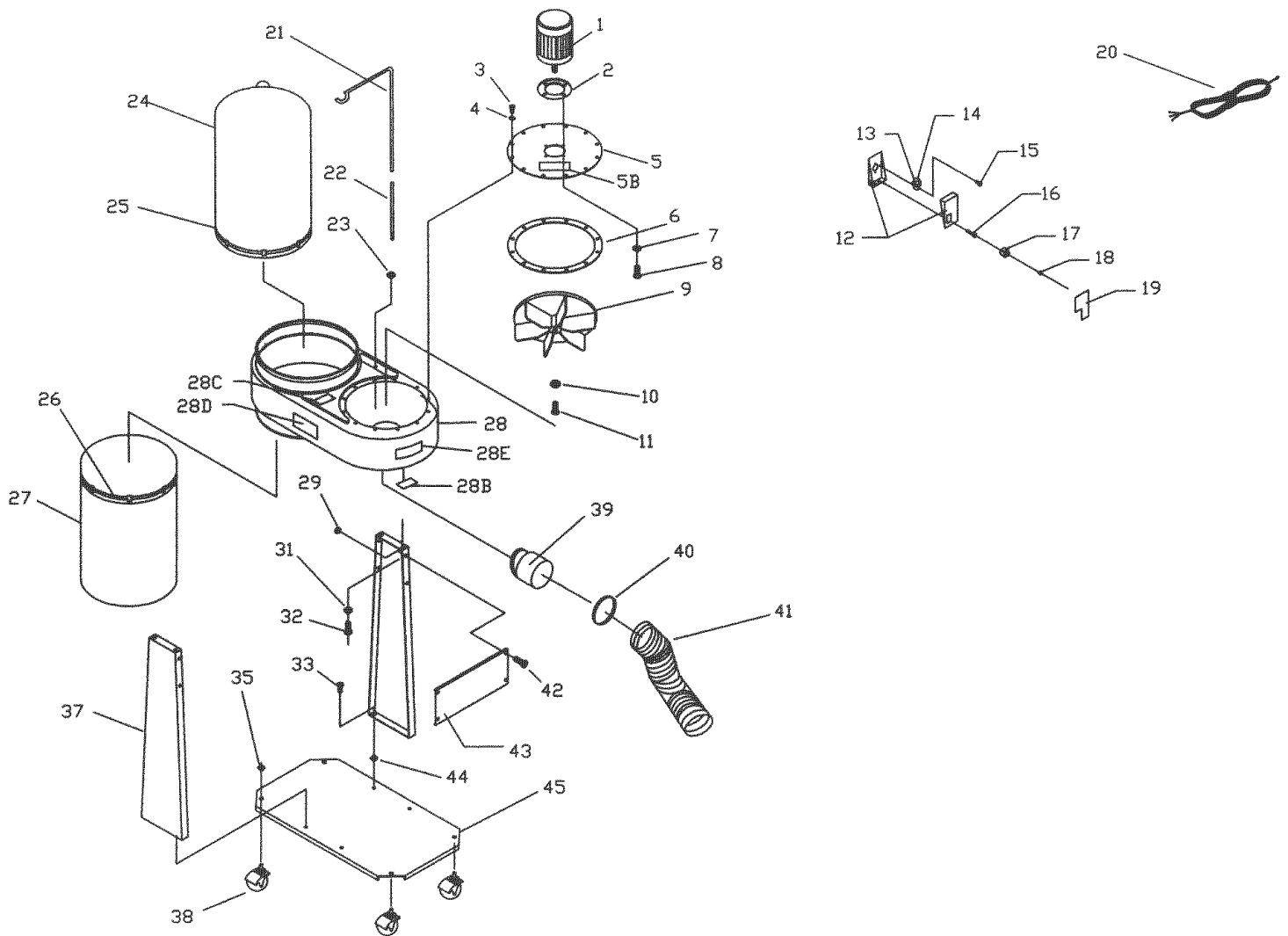
When servicing, use only CRAFTSMAN replacement parts. Use of any other parts may create a **HAZARD** or cause product damage.

### **⚠ WARNING**

Any attempt to repair or replace electrical parts on this Dust Collector may create a **HAZARD** unless repair is done by a qualified service technician. Repair service is available at your nearest Sears Service Center.

Always order by PART NUMBER, not by key number.

Key No.	PART No.	Description	Qty.	Key No.	PART No.	Description	Qty.
1	OR90652	MOTOR ASSEMBLY (COLOR: BLACK)	1	23	STD541031	HEX NUT 5/16-18	1
2	OR90653	GASKET	1	24	OR65974	FILTER BAG, 30 MICRON	1
3	STD523105	HEX HEAD SCREW 5/16-18 X 1/2"	12	25	OR90662	LOCKING BAND	1
4	OR90615	LOCK WASHER 5/16"	12	26	OR90662	LOCKING BAND	1
*5	OR90655	BLOWER COVER ASSEMBLY (COLOR: PANTONE 877) INCLUDES: 1-OR90656 & 1-OR90607	*1	27	OR90663	COLLECTION BAG, 30 MICRON	1
6	OR90657	GASKET	1	*28	OR90664	BLOWER HOUSING ASSEMBLY (COLOR: PANTONE 877) INCLUDES: 1-OR90670, 1-OR90600, 2-OR90601 & 2-OR90598	*1
7	OR90615	LOCK WASHER 5/16"	4	29	OR92134	FLANGE HEX NUT 5/16-18	4
8	STD523107	HEX HEAD SCREW 5/16-18 X 3/4"	4	31	OR90615	LOCK WASHER 5/16"	4
9	OR90658	IMPELLER	1	32	STD523106	HEX HEAD SCREW 5/16-18 X 5/8"	4
10	STD551031	FLAT WASHER 5/16"	1	33	STD523106	HEX HEAD SCREW 5/16-18 X 5/8"	4
11	STD523107	HEX HEAD SCREW 5/16-18 X 3/4"	1	35	OR92132	FLANGE HEX NUT 3/8-16	4
12	OR90628	SWITCH BOX ASSEMBLY (COLOR: BLACK)	1	37	OR90665	SIDE SUPPORT (COLOR: PANTONE 877)	2
13	OR90727	CLAMP	1	38	OR90648	SWIVEL CASTER	4
14	OR90659	CAPACITOR 50uf	1	39	OR90650	INTAKE PORT CAP	1
15	STD511003	PAN HEAD SCREW #10-24 X 3/8"	3	40	OR65935	4" HOSE CLAMP	2
16	OR90630	TRUSS HEAD SCREW #10-24 X 3/8"	1	41	OR90717	4" X 6' FLEXIBLE HOSE	1
17	OR90631	SWITCH ASSEMBLY	1	42	STD523106	HEX HEAD SCREW 5/16-18 X 5/8"	4
18	OR90632	SWITCH KEY (COLOR: YELLOW)	1	43	OR90667	SUPPORT (COLOR: PANTONE 877)	1
19	OR92133	MOTOR SPEC LABEL	1	44	OR92134	FLANGE HEX NUT 5/16-18	4
20	OR90633	POWER CORD	1	45	OR90668	BASE (COLOR: BLACK)	1
21	OR90660	UPPER HANGER (COLOR: PANTONE 877)	1	N/A	OR92136	OWNER'S MANUAL FOR MODEL #213361 (NOT SHOWN)	1
22	OR90661	LOWER HANGER (COLOR: PANTONE 877)	1				



## ◆ NOTES ◆

# Manual del Propietario



1 caballos de fuerza (servicio continuo)  
2 caballos de fuerza (máximo desarrollado)  
650 C.F.M. (pies cúbicos por minuto)  
3450 R.P.M. (R.P.M. sin carga)

## COLECTOR DE POLVO

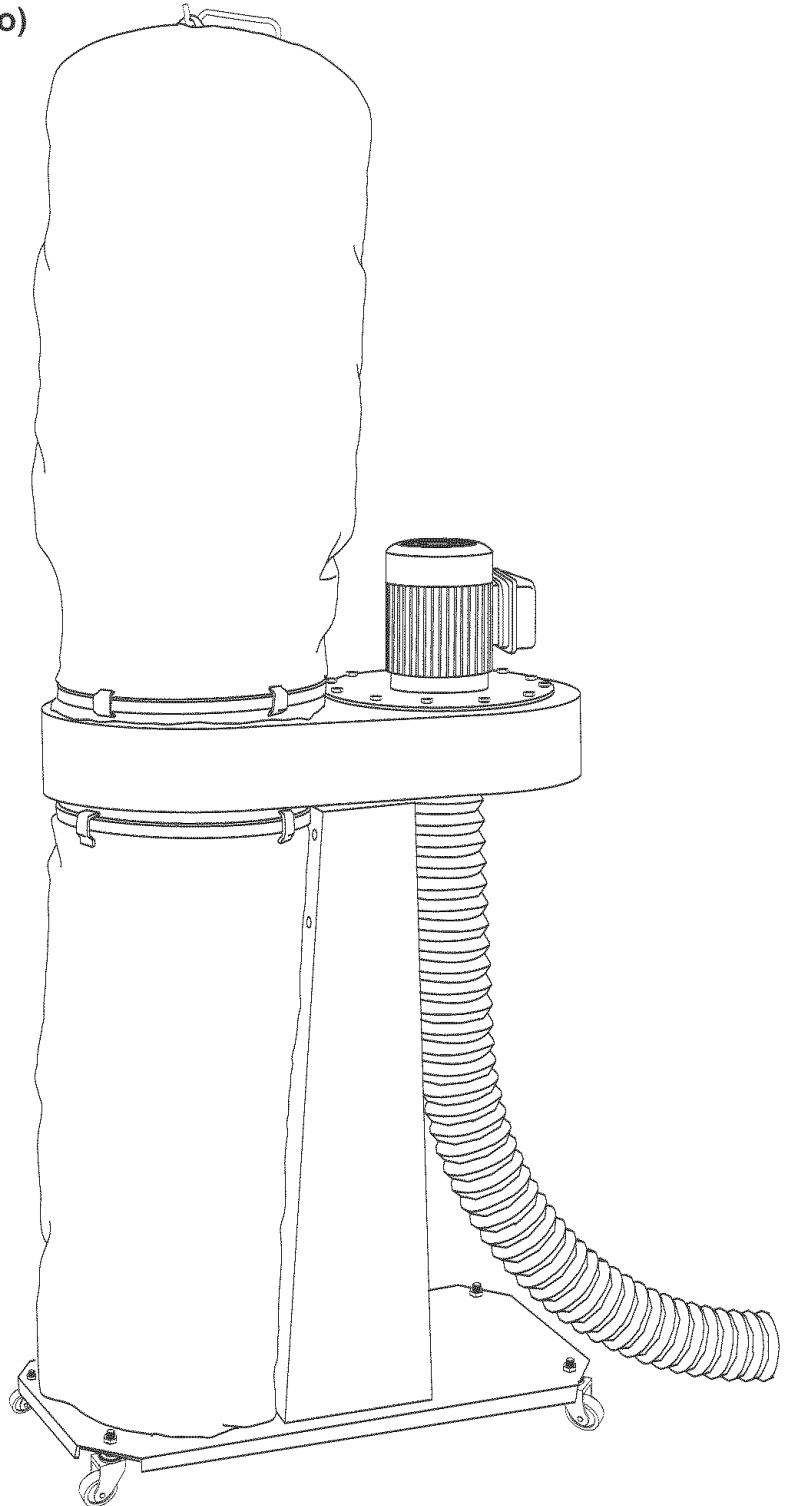
No. de Modelo  
152.213361



### PRECAUCIÓN:

PARA SU SEGURIDAD PERSONAL:  
Lea y obedezca todas las  
Instrucciones de Seguridad y  
Funcionamiento antes de accionar  
este Colector de Polvo.

Línea de Ayuda al Cliente  
**1-800-897-7709**  
Sírvase tener listo su No. de  
Modelo y No. de Serie



Sears, Roebuck and Co., Hoffman Estates, IL 60179 U.S.A.

No. de Pieza OR92136

Revisado A

# TABLA DE MATERIAS

SECCION	PAGINA
Garantía.....	22
Especificaciones del Producto.....	22
Instrucciones de Seguridad.....	23
Instrucciones de Conexión a Tierra.....	25
Instrucciones de Seguridad Específicas para los Colectores de Polvo.....	26
Accesorios y Aditamentos.....	27
Contenido de la Caja.....	28
Conozca su Colector de Polvo.....	29
Instrucciones de Montaje.....	30
Accionando el Colector de Polvo.....	33
Colector de Polvo en el Taller.....	34
Mantenimiento.....	37
Guía de Localización de Averías.....	37
Listado de Piezas.....	38
Información de Servicio.....	Contraportada

## GARANTIA

### GARANTIA COMPLETA DE UN AÑO

Si este producto falla debido a un defecto material o de elaboración dentro de un año desde la fecha de compra, devuélvalo a su Centro de Servicio Sears más cercano y la reparación se realizará sin costo alguno.

Esta garantía le otorga derechos legales específicos, y también puede tener otros derechos que varían de un estado al otro.

Sears, Roebuck and Co, Dept. 817 WA, Hoffman Estates, IL 60179.

## ESPECIFICACIONES DEL PRODUCTO

Motor de Inducción	
HP (CF) de servicio continuo	1
HP (CF) máximo desarrollado	2
Amperios	10.8
Voltios	120
Hertzios	60
RPM	3450 R.P.M. (R.P.M. sin carga)
Tope Estándar de la Bolsa	30 micras
Fondo Estándar de la Bolsa	30 micras
Manguera de Recolección	Manguera flexible de 4 pulg.
C.F.M. (pies cúbicos por minuto) máximo	650
Presión estática máxima en pulgadas de agua	12
Capacidad de la Bolsa de Filtro	5.4 pies cúbicos
Capacidad de la Bolsa de Recolección	5.4 pies cúbicos

### ⚠ ADVERTENCIA

Utilice la protección correcta de circuitos para evitar los choques eléctricos contra su persona y el daño al Colector de Polvo. No la exponga a la lluvia ni tampoco haga uso de ella en entornos húmedos.

El Colector de Polvo está cableado de fábrica para un funcionamiento a 120 V, 60 Hz. Conéctela a un circuito de derivación de 120 V, 15 amperios y utilice un fusible o disyuntor de circuitos de retardación de 15 amperios. El circuito eléctrico no puede tener un tamaño de cable menor de #14. Reponga el cordón de energía inmediatamente si se daña en cualquier manera para evitar los choques o incendios.

# INSTRUCCIONES DE SEGURIDAD

## INSTRUCCIONES GENERALES DE SEGURIDAD

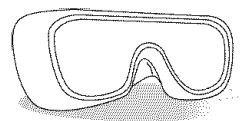
El funcionamiento de un Colector de Polvo puede resultar peligroso si se hace caso omiso de la seguridad y del sentido común. El operario debe estar familiarizado con el funcionamiento de la herramienta. Lea este manual para entender su Colector de Polvo. **NO OPERE** este Colector de Polvo si no entiende cabalmente las limitaciones de dicha herramienta. **NO** realice modificaciones de cualquier tipo a este Colector de Polvo. **RECUERDE:** Usted es responsable de su propia seguridad.

## ANTES DE UTILIZAR EL COLECTOR DE POLVO

### ⚠ ADVERTENCIA

Para evitar las heridas graves y el daño a la herramienta, lea y obedezca todas las instrucciones de Seguridad y Operación antes de operar el Colector de Polvo.

- LEA** a consciencia el Manual del Propietario. **APRENDA** cómo hacer uso de esta herramienta para sus aplicaciones diseñadas.
- CONECTE TODAS LAS HERRAMIENTAS A TIERRA.** Si la herramienta se suministra con un enchufe de 3 machos, se le debe enchufar a un tomacorrientes que disponga de 3 contactos eléctricos. El tercer macho se utiliza para conectar la herramienta a tierra y ofrecer protección contra los choques eléctricos accidentales. **NO** quite el tercer macho. Vea las Instrucciones de Conexión a Tierra.
- EVITE UN ENTORNO LABORAL PELIGROSO. NO** utilice las herramientas eléctricas en un entorno húmedo, ni tampoco las exponga a lluvia.
- NO** utilice herramientas eléctricas si hay gases o líquidos inflamables presentes.
- MANTENGA SIEMPRE** su zona de trabajo limpia, bien alumbrada y organizada. **NO TRABAJE** en un entorno con superficies de piso resbalosas a consecuencia de los escombros, la grasa y la cera.
- MANTENGA ALEJADOS A LOS NIÑOS Y VISITANTES. NO** permita que haya personas en la zona inmediata de trabajo, particularmente cuando la herramienta eléctrica se encuentre en funcionamiento.
- NO FUERCE LA HERRAMIENTA** a realizar operaciones para las cuales no fue diseñada. Realizará una labor más segura y de mejor calidad si se le utiliza solamente para realizar operaciones para las cuales fue diseñada.
- UTILICE VESTIMENTA APROPIADA. NO** vista ropa holgada, guantes, corbatas ni artículos de joyería. Estos artículos pueden quedar atrapados en la máquina durante las operaciones y tirar del operario, atrayéndolo hacia las piezas en movimiento. El usuario debe llevar una cubierta protectora sobre el cabello, si tiene cabellera larga, para impedir el contacto con cualquier pieza en movimiento.
- UTILICE PROTECCIÓN OCULAR SIEMPRE.** Cualquier herramienta mecánica es capaz de expulsar escombros hacia los ojos del usuario durante las operaciones, lo que puede ocasionar daño ocular grave y permanente. Las gafas de uso cotidiano **NO** son gafas de seguridad. Utilice Gafas de Seguridad (que cumplan con la normativa Z87.1 de ANSI) **SIEMPRE** cuando vaya a hacer uso de herramientas mecánicas. Las Gafas de Seguridad están disponibles en las tiendas de ventas al detal de Sears.



- UTILICE PROTECCIÓN AUDITIVA SIEMPRE.** El algodón común no constituye un dispositivo aceptable de protección. El equipo auditivo debe cumplir con las normativas S3.19 de ANSI.
- SIEMPRE DESENCHUFE LA HERRAMIENTA DEL TOMACORRIENTES** cuando vaya a realizar ajustes, cambiar piezas o realizar cualquier clase de mantenimiento.
- MANTENGA LOS ESCUDOS DE PROTECCION EN SU SITIO Y EN BUEN ESTADO DE FUNCIONAMIENTO.**
- EVITE EL ARRANQUE ACCIDENTAL.** Asegúrese de que el interruptor de potencia se encuentre en la posición de "APAGADO" antes de enchufar el cordón de potencia en el tomacorrientes.
- QUITE TODAS LAS HERRAMIENTAS DE MANTENIMIENTO** de la zona inmediata antes de encender la herramienta.
- SOLO UTILICE ACCESORIOS RECOMENDADOS.** El uso de accesorios incorrectos o poco apropiados puede ocasionar heridas graves al operario y ocasionar daño a la herramienta. Si tiene dudas, consulte el manual de instrucciones que se adjunta con el accesorio específico.
- JAMAS DEJE UNA HERRAMIENTA EN FUNCIONAMIENTO SIN ATENDER.** Conmute el interruptor de energía a la posición de apagado. **NO** abandone la herramienta hasta que esta se haya detenido por completo.
- NO SE PARE SOBRE LA HERRAMIENTA.** Pueden producirse heridas graves si la herramienta se vuelca o si usted hace contacto con la herramienta accidentalmente.
- NO ALMACENE** nada por encima ni cerca de la máquina en donde alguien pueda intentar pararse en la herramienta para alcanzarlo.
- MANTENGA SU EQUILIBRIO. NO** se extienda sobre la herramienta. Haga uso de zapatos con suela de caucho resistente al aceite. Mantenga el piso libre de escombros, grasa o cera.
- MANTENGA SUS HERRAMIENTAS CUIDADOSAMENTE.** Mantenga sus herramientas limpias y en buen estado. Mantenga afiladas todas las hojas y brocas.

# INSTRUCCIONES DE SEGURIDAD (cont.)

21. **REVISE SI HAY PIEZAS DAÑADAS ANTES DE CADA USO DE LA HERRAMIENTA.** Revise todos los protectores cuidadosamente para comprobar que funcionan correctamente y que no están dañados, y que realizan sus funciones diseñadas correctamente. Revise el alineamiento, la fijación o la ruptura de las piezas en movimiento. Cualquier protector u otra pieza que se encuentre dañada debe repararse o reemplazarse inmediatamente.
22. **HAGA SU TALLER A PRUEBA DE NIÑOS** quitando las llaves del interruptor, desenchufando las herramientas de los tomacorrientes, y mediante el uso de candados.
23. **NO OPERE LA HERRAMIENTA BAJO LA INFLUENCIA DE LAS DROGAS O DEL ALCOHOL.**
24. **AFIANCE TODO EL MATERIAL.** Siempre que resulte posible, utilice abrazaderas o plantillas para asegurar el material. Esto ofrece mayor seguridad que intentar sujetar el material con sus propias manos.
25. **MANTENGASE ALERTA, ESTE CONSCIENTE DE LO QUE HACE, Y UTILICE SENTIDO COMUN CUANDO VAYA A OPERAR UNA HERRAMIENTA ELECTRICA. NO UTILICE LA HERRAMIENTA SI ESTA CANSADO O BAJO LA INFLUENCIA DE DROGAS, ALCOHOL O MEDICAMENTOS.** Un momento de descuido durante el uso de herramientas eléctricas puede resultar en lesiones personales graves.
26. **UTILICE SIEMPRE UNA CARETA PARA PREVENIR LA ASPIRACIÓN DE POLVO PELIGROSO O PARTÍCULAS AÉREAS,** incluyendo polvo de madera, polvo de sílice cristalino y polvo de asbesto. Aleje las partículas de la cara y el cuerpo. Opere la herramienta siempre en un sitio con buena ventilación y proporcione la extracción adecuada del polvo. Utilice sistemas de recolección de polvo siempre que sea posible. La exposición al polvo puede resultar en heridas graves y permanentes al sistema respiratorio o de otros tipos, incluyendo la silicosis (una enfermedad pulmonar grave), cáncer y la muerte. Evite aspirar el polvo y evite el contacto prolongado con el polvo. El permitir que el polvo penetre dentro de su boca u ojos, o que permanezca sobre su piel, puede promover la absorción de material dañino. Utilice siempre protección respiratoria adecuada y aprobada por NIOSH/OSHA con ajuste correcto, y lave las zonas expuestas con agua y jabón.
27. **UTILICE UNA EXTENSION ELECTRICA CORRECTA Y EN BUEN ESTADO.** Cuando vaya a hacer uso de una extensión eléctrica, asegúrese de utilizar una que sea lo suficientemente fuerte como para transportar la corriente a ser utilizada por su herramienta. Tenga la bondad de referirse al cuadro de calibres recomendados (AWG) para las extensiones eléctricas para el dimensionamiento correcto de la extensión eléctrica. Si tiene dudas, utilice la siguiente extensión de mayor calibre.

Mientras menor sea el número de calibre, mayor será el diámetro de la extensión eléctrica. Si tiene dudas sobre las dimensiones correctas de una extensión eléctrica, utilice un cordón más corto y más grueso. Una extensión de dimensiones insuficientes producirá una caída en el voltaje de línea, resultando en una pérdida de potencia y el sobrecalentamiento. **SOLO UTILICE UNA EXTENSION ELECTRICA DE 3 HILOS QUE DISPONGA DE UN ENCHUFE DE CONEXION A TIERRA DE 3 MACHOS, Y UN RECEPTACULO DE 3 POLOS QUE ACEPTE EL ENCHUFE DE LA MAQUINA.**

## DIRECTRICES PARA LAS EXTENSIONES ELECTRICAS

Si está haciendo uso de una extensión eléctrica a la intemperie, esté seguro de que la extensión se encuentre marcada con "W-A" ("W" en el Canadá), lo que indica que su uso a la intemperie es aceptable.

Esté seguro del dimensionamiento correcto de su extensión eléctrica, y que se encuentre en buen estado eléctrico. Reponga siempre una extensión eléctrica dañada, o procure que una persona experta la repare antes del uso.

Proteja sus extensiones eléctricas contra los objetos filosos, el calor en exceso y de los lugares mojados o húmedos.

CALIBRE MINIMO RECOMENDADO (AWG) PARA LAS EXTENSIONES ELECTRICAS			
FUNCIONAMIENTO A 120 VOLTIOS SOLAMENTE			
	25 PIES DE LARGO	50 PIES DE LARGO	100 PIES DE LARGO
0 a 6 Amperios	18 AWG	16 AWG	16 AWG
6 a 10 Amperios	18 AWG	16 AWG	14 AWG
10 a 12 Amperios	16 AWG	16 AWG	14 AWG



# INSTRUCCIONES DE CONEXION A TIERRA

## ⚠ ADVERTENCIA

ESTA HERRAMIENTA DEBE ESTAR CONECTADA A TIERRA DURANTE EL USO PARA PROTEGER AL OPERARIO DE LOS CHOQUES ELECTRICOS.

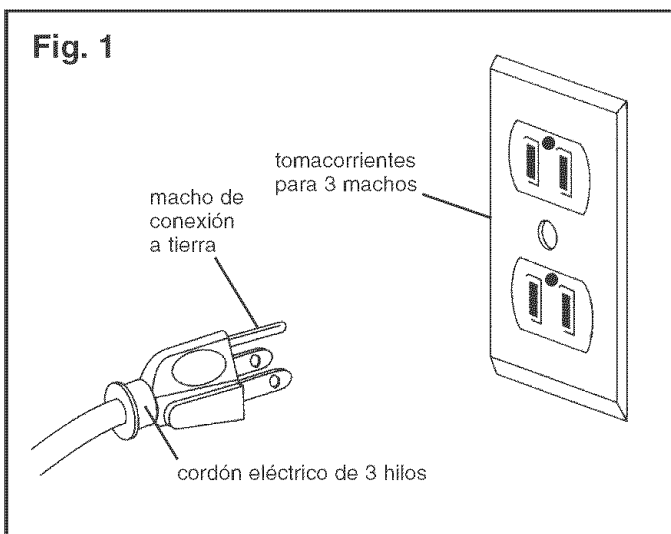
EN EL CASO DE UN MALFUNCIONAMIENTO O AVERIA, la conexión a tierra ofrece el trecho de menor resistencia para la corriente eléctrica y reduce el riesgo de los choques eléctricos. Esta herramienta viene equipada con un cordón eléctrico que dispone de un conductor de conexión a tierra para el equipo así como un enchufe de conexión a tierra. El enchufe **DEBE** estar enchufado a un tomacorrientes adaptado que haya sido correctamente instalado y conectado a tierra de acuerdo con **TODOS** los códigos y ordenanzas municipales.

**NO MODIFIQUE EL ENCHUFE SUMINISTRADO.** Haga que un electricista calificado instale el tomacorrientes apropiado si el enchufe no cabe en el tomacorrientes.

**LA CONEXION ELECTRICA INCORRECTA** del conductor de conexión a tierra para el equipo puede resultar en el riesgo de choques eléctricos. El conductor con el aislamiento verde (con o sin rayas amarillas) es el conductor de conexión a tierra para el equipo. **NO** conecte el conductor de conexión a tierra para el equipo a una terminación viva si resulta necesario reparar o reemplazar el cordón eléctrico o el enchufe.

**CONSULTE** con un electricista calificado o personal de servicio si no entiende las instrucciones de conexión a tierra completamente, o si no está seguro que la herramienta está debidamente conectada a tierra.

El motor suministrado con su Colector de Polvo es un motor monofásico de 120 voltios. Se envía cableada para el funcionamiento a 120 voltios. Jamás conecte el alambre verde a un terminal vivo.



**SOLO UTILICE UNA EXTENSION ELECTRICA DE 3 HILOS QUE DISPONGA DE UN ENCHUFE DE CONEXION A TIERRA DE 3 MACHOS, Y UN RECEPTACULO DE 3 POLOS QUE ACEPTE EL ENCHUFE DE LA MAQUINA.**

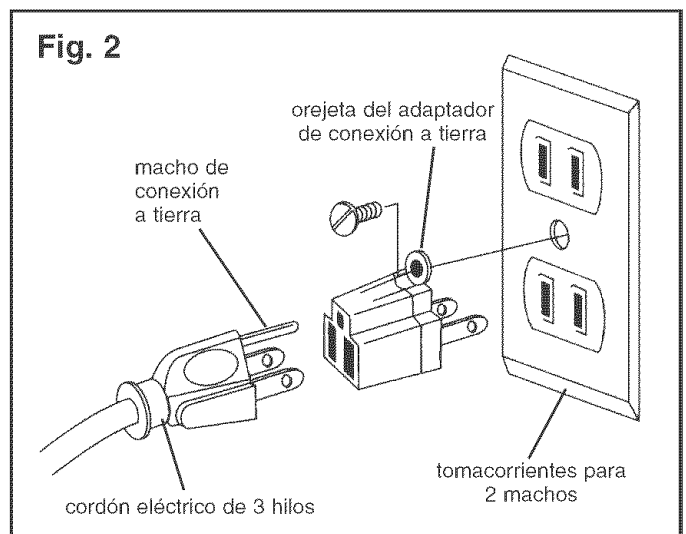
**REPONGA CUALQUIER CORDON DAÑADO O GASTADO INMEDIATAMENTE.**

Esta herramienta está diseñada para el uso en un circuito que disponga de un tomacorrientes como el que se ilustra en la **FIGURA 1**. La **FIGURA 1** muestra un enchufe eléctrico de 3 hilos y un tomacorrientes eléctrico con conductor de conexión a tierra. Si no se encuentra disponible un tomacorrientes debidamente conectado a tierra, se puede hacer uso de un adaptador, según lo ilustrado en la **FIGURA 2**, para conectar dicho enchufe provisionalmente al tomacorrientes de 2 contactos que no está conectado a tierra. El adaptador cuenta con una orejeta rígida que **DEBE** ser conectada a una conexión a tierra permanente, tal como un tomacorrientes debidamente conectado a tierra. **SE PROHIBE EL USO DE ESTE ADAPTADOR EN EL CANADA.**

**PRECAUCION:** En todos los casos, asegúrese de que el tomacorrientes en cuestión esté debidamente conectado a tierra. Si no está seguro, haga que un electricista certificado revise el tomacorrientes.

## ⚠ ADVERTENCIA

El Colector de Polvo es para el uso en interiores exclusivamente. No la exponga a la lluvia, ni haga uso de ella en lugares húmedos.



# INSTRUCCIONES DE SEGURIDAD ESPECIFICAS PARA LOS COLECTORES DE POLVO

El funcionamiento de cualquier colector de polvo puede tener como consecuencia la expulsión de escombros hacia sus ojos, lo que puede resultar en heridas oculares graves.

**UTILICE SIEMPRE** Gafas de Protección (que cumplan con la normativa Z87.1 de ANSI) cuando vaya a hacer uso del colector de polvo. Las Gafas de Seguridad están disponibles en las tiendas Sears de ventas al detal. Mantenga los pulgares y los dedos alejados de los puertos de admisión.

Las precauciones básicas deben acatarse en todo momento cuando se utiliza un colector de polvo. Cumpla con las instrucciones indicadas a continuación para reducir el riesgo de lesiones, choques eléctricos o incendios:

1. **LEA** y entienda el manual de instrucciones antes de poner el colector de polvo en funcionamiento.
2. **NO OPERE ESTA MAQUINA** hasta que se encuentre ensamblada e instalada conforme a las instrucciones.
3. **ASESORESE CON SU SUPERVISOR**, instructor u otra persona experta si no está familiarizado con el uso de esta máquina.
4. **NO PERMITA** el colector de polvo permanezca enchufado al tomacorrientes. El colector de polvo debe desenchufarse del tomacorrientes cuando no se encuentre en uso y antes de rendir servicio, cambiar bolsas, destupir y limpiar.
5. **COLOQUE SIEMPRE** el interruptor de energía en "APAGADO" antes de desenchufar el colector de polvo.
6. **PARA REDUCIR EL RIESGO DE CHOQUES ELECTRICOS**, no utilice la máquina a la intemperie. No la exponga a la lluvia. Almacénela bajo techo. Utilícela para recoger material seco solamente.
7. **OBEDEZCA** todos los códigos eléctricos y de seguridad, incluyendo el Código Eléctrico Nacional (NEC) y las Normas de Salud y Seguridad en el Trabajo (OSHA). Todas las conexiones y cableado eléctrico deben ser realizados sólo por personal competente.
8. **NO** maneje el enchufe ni el colector de polvo con las manos mojadas.
9. **NO UTILICE** el colector de polvo para recoger líquidos inflamables o combustibles, tales como la gasolina. **JAMAS** utilice el colector de polvo cerca de cualquier líquido inflamable o combustible.
10. **UTILICE** el colector de polvo para recoger materiales de madera solamente. **NO LO UTILICE** para recoger virutas, polvo ni piezas de metal.
11. **JAMAS** utilice el colector de polvos para disipar emanaciones o humo. **JAMAS** recoja cualquier cosa que esté ardiendo o emitiendo humo, así como cigarrillos, fósforos o cenizas calientes.
12. **UTILICELO** sólo como se describe en este manual. **SOLO** utilice los accesorios recomendados por Sears.
13. **NO** tire del colector de polvo mediante el cordón de energía. **JAMAS** permita que el cordón de potencia entre en contacto con bordes filosos, superficies calientes, aceite o grasa.
14. **NO** desenchufe el colector de polvo tirando del cordón de energía. **SIEMPRE** agarre el enchufe en vez del cordón.
15. **REPONGA** un cordón dañado inmediatamente. **NO** utilice un cordón o enchufe que estén dañados. Si el colector de polvo no funciona debidamente, o si ha sido dañado, dejado a la intemperie o si ha entrado en contacto con el agua, devuélvalo a un Centro de Servicio Sears para recibir servicio.
16. **NO** utilice el colector de polvo como juguete. **NO LO UTILICE** si hay niños presentes.
17. **NO** inserte los dedos o cuerpos extraños dentro del puerto de entrada de polvo. Debe alejar el cabello, la ropa holgada, los dedos y demás extremidades de las aberturas y piezas en movimiento del colector de polvo.
18. **NO** utilice el colector de polvo sin que la bolsa guardapolvo se encuentre en su sitio y debidamente asegurada.
19. **UTILICE SIEMPRE** compuertas de seguridad para cubrir los puertos de polvo cuando el colector de polvo no se encuentre en uso o cuando se está montado sobre una superficie de apoyo para el almacenamiento.
20. La bolsa guardapolvo debe ser **INSPECCIONADA PERIODICAMENTE** por si existe cualquier cortadura, desgarro o rompedura. **JAMAS** opere el colector de polvo con una bolsa o manguera de vacío que esté dañada.
21. El colector de polvo **SOLO** está diseñado para el uso doméstico o el uso industrial ligero.
22. **CONECTE** el colector de polvo a un tomacorrientes debidamente conectado a tierra. Vea las instrucciones de conexión a tierra.
23. **INFORMACION ADICIONAL** sobre el funcionamiento seguro y correcto de este producto está disponible de parte del National Safety Council, 1121 Spring Lake Drive, Itasca, IL 60143-3201 en el Manual de Prevención de Accidentes para Operaciones Industriales así como en las Hojas de Datos de Seguridad suministradas por el NSC. Tenga la bondad de referirse también al ANSI 01.1, Requisitos de Seguridad para la Maquinaria de Ebanistería de la American National Standards Institute, y el Reglamento 1910.213 OSHA del U.S. Department of Labor.
24. **GUARDE ESTAS INSTRUCCIONES**. Refiérase a ellas con frecuencia y utilícelas para instruir a otros usuarios.

# ACCESORIOS Y CONEXIONES

## ACCESORIOS DISPONIBLES

Visite su Departamento de Ferretería de Sears o consulte el Catálogo de Herramientas Eléctricas y de Mano de Sears para los siguientes accesorios:

<u>ARTICULO</u>	<u>NUMERO DE EXISTENCIA</u>
Bolsa de filtro de 30 micras (superior)	21376
Bolsa de filtro de 5 micras (superior)	21377
Bolsa de recolección de plástico (fondo)	21378
Manguera flexible 4 pulg. diámetro x 10 pies	21372
Manguera flexible 4 pulg. diámetro x 25 pies	21373
Conectores de accesorios varios	Consultar el catálogo o la tienda

Sears podrá recomendar otros accesorios no listados en este manual.

Consulte su Departamento de Ferretería de Sears más cercano o el Catálogo de Herramientas Eléctricas y de Mano de Sears para otros accesorios.

No utilice ningún accesorio a menos que haya leído cabalmente el Manual del Propietario para dicho accesorio.

### **⚠ ADVERTENCIA**

Sólo utilice accesorios recomendados para este Colector de Polvo. El uso de otros accesorios puede ocasionar lesiones graves y producir daño al Colector de Polvo.

# CONTENIDO DE LA CAJA

## DESEMPAQUE Y VERIFICACION DEL CONTENIDO (Figura 3)

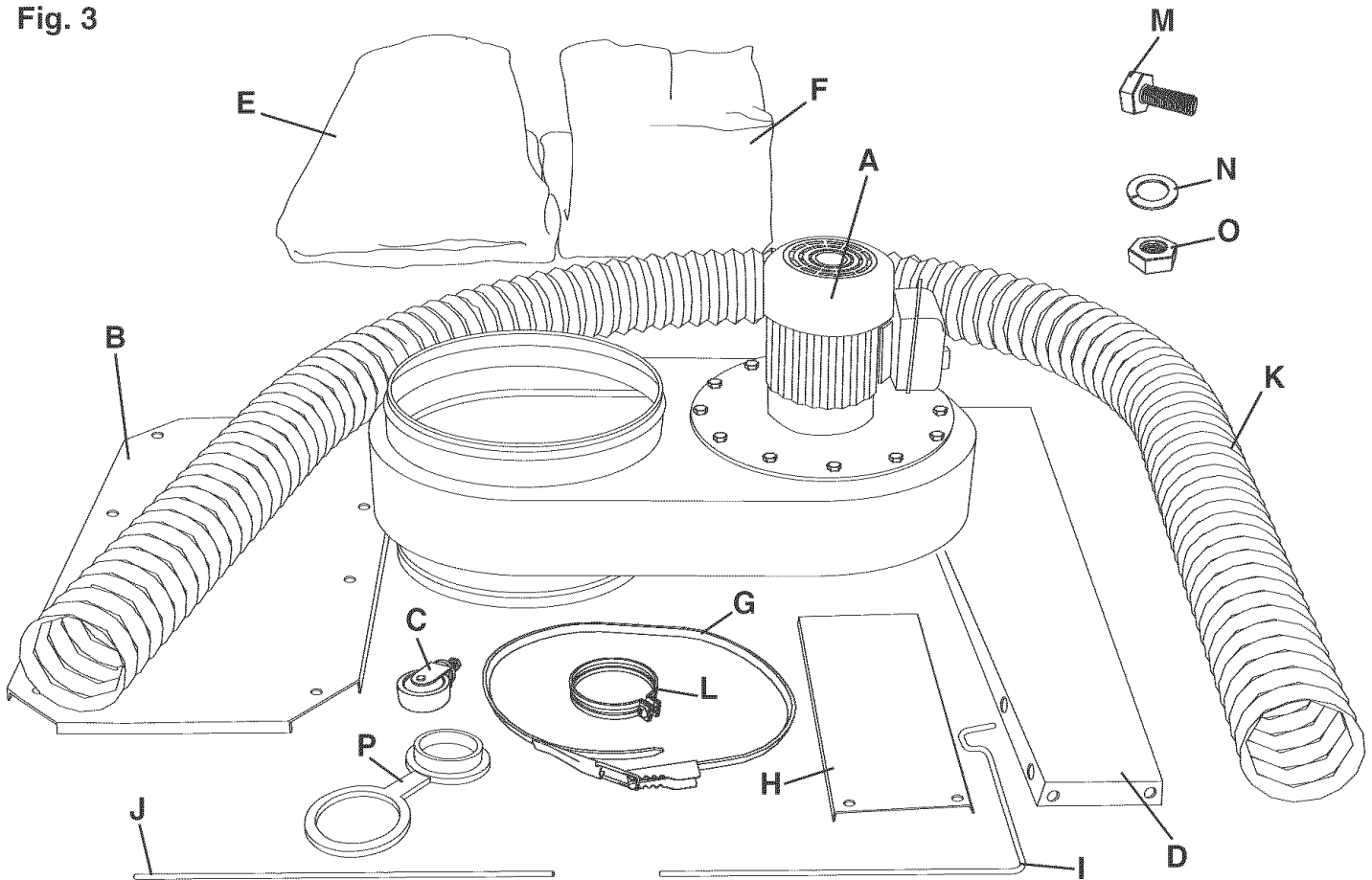
El Colector de Polvo requerirá una cantidad mínima de ensamblaje.

Quite todas las piezas de la caja de envío y colóquelas sobre una superficie de trabajo limpia. Compare los artículos con la Figura 3. Verifique que todos los artículos estén presentes antes de descartar la caja de envío.

### ⚠ ADVERTENCIA

Si faltan piezas, no intente enchufar el cordón de potencia y encender el Colector de Polvo. El Colector de Polvo sólo podrá encenderse después de que se hayan obtenido todas las piezas y estas hayan sido instaladas de manera correcta.

Fig. 3

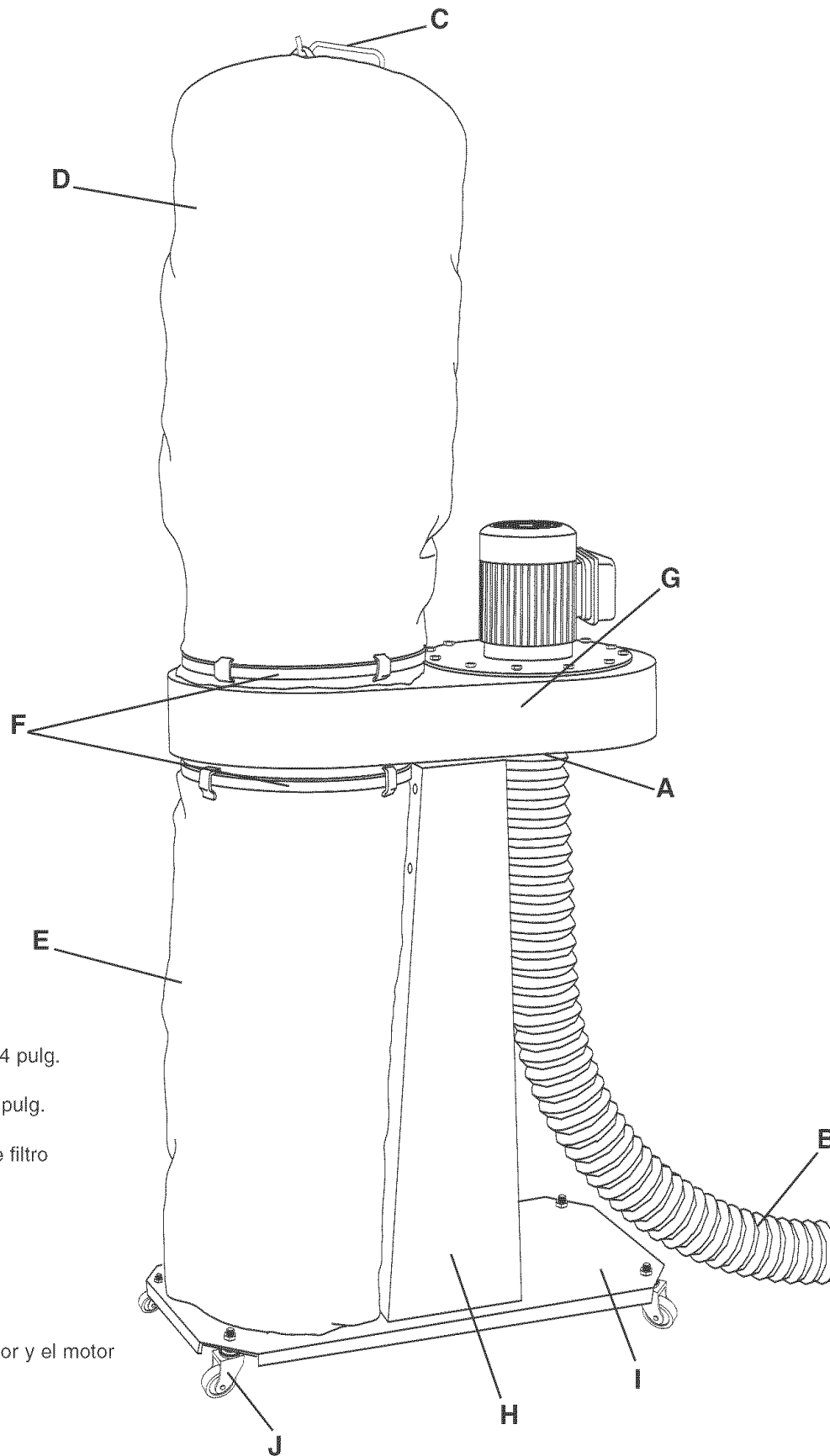


- A. Ensamblado del soplador y del motor
- B. Base
- C. Ruedas pivotantes (4)
- D. Soporte lateral (2)
- E. Bolsa de filtro
- F. Bolsa de recolección (2)
- G. Banda de sujeción
- H. Soporte
- I. Colgante de la bolsa de filtro

- J. Vara de soporte inferior
- K. Manguera flexible de 4 pulg.
- L. Abrazadera de manguera de 4 pulg. (2)
- M. Tornillos de cabeza hexagonal 5/16-18 x 5/8 pulg. (12)
- N. Arandelas de cierre 5/16 pulg. (4)
- O. Tuercas hexagonales 5/16-18 (1)
- P. Tapa del puerto de admisión
- Q. Tuerca de pestaña hexagonal 5/16-18 (8) (no ilustrada)
- R. Tuerca de pestaña hexagonal 3/8 – 16 (4) (no ilustrada)

# CONOZCA SU COLECTOR DE POLVO

Fig. 4



- A. Puerto de admisión de 4 pulg.
- B. Manguera flexible de 4 pulg.
- C. Colgante de la bolsa de filtro
- D. Bolsa de filtro
- E. Bolsa de recolección
- F. Banda de sujeción
- G. Ensamblado del soplador y el motor
- H. Soporte lateral
- I. Base
- J. Rueda pivotante

# INSTRUCCIONES DE MONTAJE

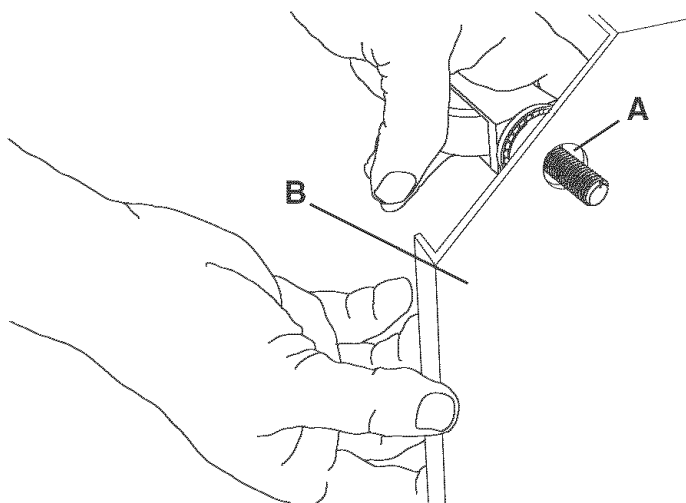
## ⚠ ADVERTENCIA

1. **NO** inicie el ensamblaje hasta que esté seguro de que la herramienta **NO ESTA** enchufada.
2. **NO** ensamble el Colector de Polvo hasta que esté seguro de que el interruptor de energía se encuentre en la posición de "APAGADO".
3. Para su propia seguridad, **NO CONECTE** la máquina a la fuente de energía hasta que la máquina se encuentre completamente ensamblada y usted haya leído y entendido cabalmente el Manual del Propietario.

## MONTAJE DE LAS RUEDAS PIVOTANTES A LA BASE

ASEGURESE DE QUE EL COLECTOR DE POLVO ESTE DESCONECTADO DE LA FUENTE DE ENERGIA.

Fig. 5



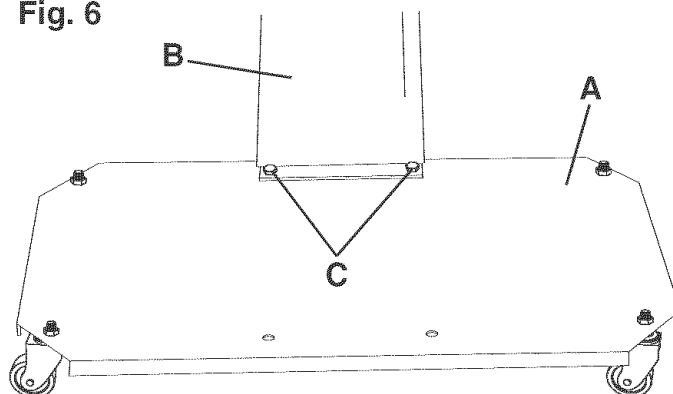
1. Inserte el perno de la rueda pivotante a través de uno de los cuatro agujeros (A) en la base (B), de los cuales no se ilustran tres. Consulte la figura 5.
2. Coloque la tuerca de pestaña hexagonal de 3/8-16 sobre el perno de la rueda pivotante y apriete.
3. Repita los Pasos 1, 2 y 3 para los tres ensamblados restantes de rueda pivotante.

## MONTAJE DE LOS SOPORTES LATERALES

### ⚠ ADVERTENCIA

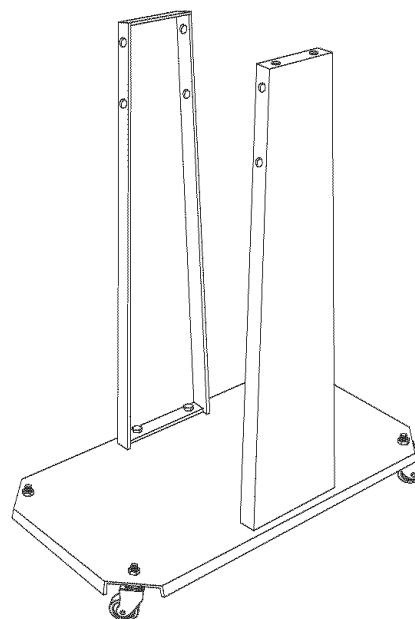
ASEGURESE DE QUE EL COLECTOR DE POLVO ESTE DESCONECTADO DE LA FUENTE DE ENERGIA.

Fig. 6



1. Coloque la base (A) en posición erguida. Consulte la figura 6.
2. Alinee los dos agujeros en el extremo más ancho del soporte lateral (B) con los dos agujeros (C) en la base. Consulte la figura 6.
3. Inserte un tornillo de cabeza hexagonal de 5/16-18 x 5/8 pulg. a través de cada uno de los dos agujeros en el soporte lateral y la base.
4. Coloque una tuerca de pestaña hexagonal de 5/16-18 sobre cada tornillo y apriétela seguramente.

Fig. 7



5. Repita los Pasos 1, 2, 3 y 4 para ensamblar el segundo soporte lateral. Consulte la figura 7.

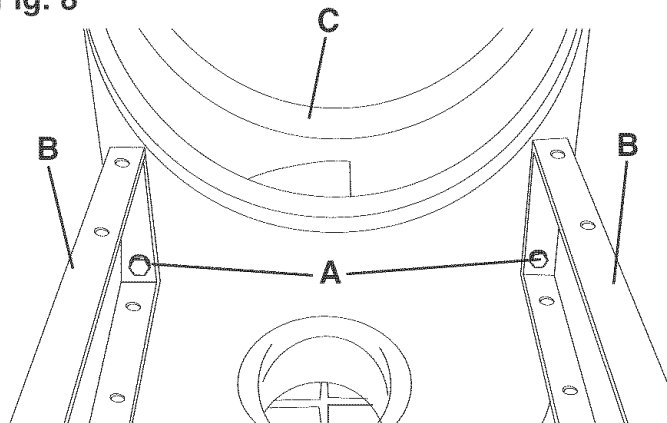
## MONTAJE DEL MOTOR Y DEL SOPLADOR A LA BASE

### **⚠ ADVERTENCIA**

ASEGURESE DE QUE EL COLECTOR DE POLVO ESTE DESCONECTADO DE LA FUENTE DE ENERGIA.

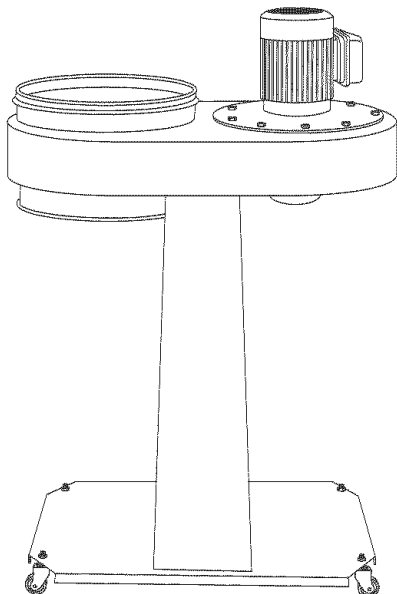
1. Coloque tanto el ensamblado del motor y soplador como la base sobre sus costados con el puerto de admisión apuntando hacia la base.

Fig. 8



2. Alinee los cuatro agujeros, dos de los que están ilustrados en (A) en la parte superior de ambos soportes laterales (B) con los cuatro agujeros en el ensamblado del motor y el soplador (C). Consulte la figura 8.
3. Coloque una arandela de cierre de 5/16 pulg. sobre un tornillo de cabeza hexagonal de 5/16-18 x 3/4 pulg. e inserte el tornillo a través del soporte lateral, roscando el tornillo dentro del agujero roscado en el ensamblado del motor y el soplador. No lo apriete del todo.
4. Repita este proceso para los tres agujeros restantes. Apriételes firmemente.

Fig. 9



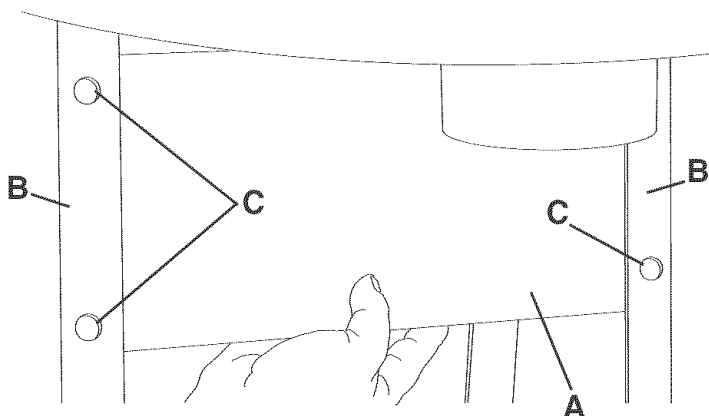
5. La figura 9 presenta el ensamblado del motor y el soplador conectado a los soportes laterales.

## MONTAJE DEL SOPORTE

### **⚠ ADVERTENCIA**

ASEGURESE DE QUE EL COLECTOR DE POLVO ESTE DESCONECTADO DE LA FUENTE DE ENERGIA.

Fig. 10



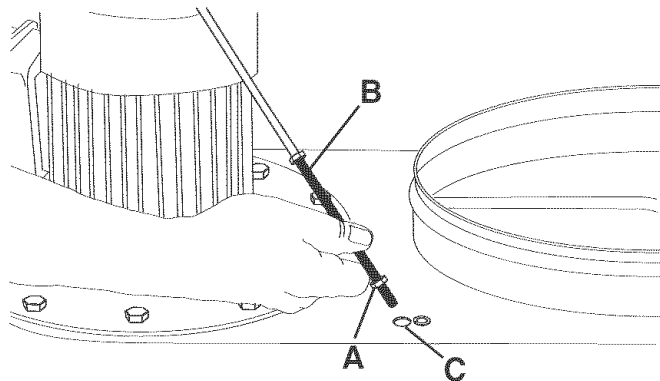
1. Coloque el soporte (A) dentro de los dos soportes laterales (B). **ASEGURESE DE QUE EL SOPORTE ESTE CONECTADO A LOS SOPORTES LATERALES MAS CERCANOS AL MOTOR.** Consulte la figura 10.
2. Alinee los cuatro agujeros en el soporte (C), de los cuales se ilustran tres, con los cuatro agujeros en los soportes laterales. Consulte la figura 10.
3. Inserte un tornillo de cabeza hexagonal de 5/16-18 x 5/8 pulg. a través del soporte lateral y el soporte.
4. Coloque una tuerca de pestaña hexagonal de 5/16-18 sobre el tornillo de cabeza hexagonal de 5/16-18 x 5/8 pulg. No apriete completamente en este momento.
5. Repita los Pasos 3 y 4 para los tres agujeros restantes y apriételes firmemente.

## MONTAJE DEL FILTRO Y BOLSA DE RECOLECCION AL TAMBOR

### ⚠ ADVERTENCIA

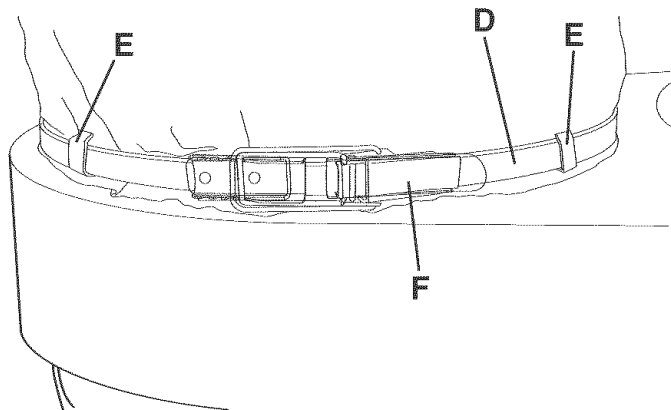
ASEGURESE DE QUE EL COLECTOR DE POLVO ESTE DESCONECTADO DE LA FUENTE DE ENERGIA.

Fig. 11



1. Rosque una tuerca hexagonal de 5/16-18 (A) sobre el extremo de la vara de soporte inferior (B). Enrosque la vara de soporte inferior aproximadamente 1/2 pulgada dentro del agujero roscado (C) en la parte superior del ensamblado del soplador y el motor. Apriete la tuerca hexagonal de 5/16-18 en la vara de soporte inferior contra el ensamblado del soplador y el motor. Consulte la figura 11.
2. Coloque el extremo del colgante de la bolsa de filtro dentro del extremo coincidente del soporte inferior. Enganche el ojal en la bolsa de filtro superior sobre el gancho del colgante de la bolsa de filtro. Consulte la figura 4.

Fig. 12



3. Inserte la banda de sujeción (D) a través de todos los ojales de la bolsa de filtro (E). Coloque el extremo abierto de la bolsa de filtro sobre el borde superior del tambor. Asegúrese de que la banda de sujeción esté colocada en el canal recesado superior del tambor y afiance la abrazadera (F) al tambor firmemente. Consulte la figura 12.

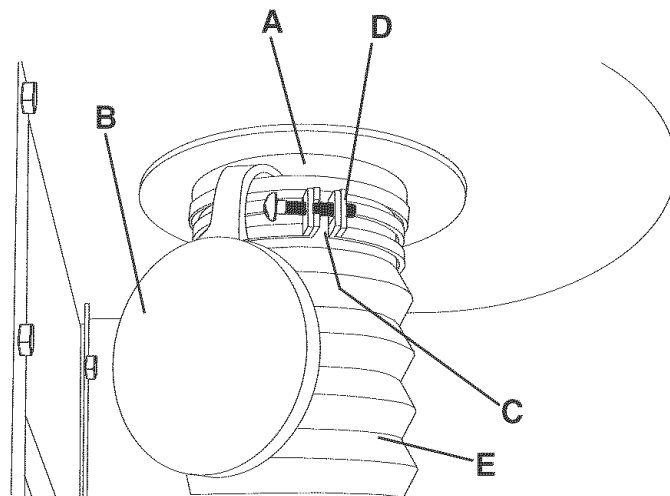
4. Coloque la segunda banda de sujeción a través de todos los ojales de la bolsa de recolección, parecida a la bolsa de filtro.
5. Coloque la bolsa de recolección sobre el borde inferior del tambor. Asegúrese de que la banda de sujeción esté colocada en el canal recesado inferior del tambor y afiance la abrazadera de forma segura sobre el tambor.

## MONTAJE DE LA TAPA Y LA MANGUERA DEL PUERTO DE ADMISION

### ⚠ ADVERTENCIA

ASEGURESE DE QUE EL COLECTOR DE POLVO ESTE DESCONECTADO DE LA FUENTE DE ENERGIA.

Fig. 13



1. Deslice el collarín (A) de la tapa del puerto de admisión (B) sobre el puerto de admisión (C). Asegúrese de que el collarín esté colocado hacia la parte posterior, si se propone conectar la manguera en este momento. Consulte la figura 13.
2. Coloque la abrazadera de manguera de 4 pulg. (D) sobre el extremo de la manguera flexible de 4 pulg. (E). Consulte la figura 13.
3. Deslice el extremo de la manguera flexible de 3 pulg. con la abrazadera de 4 pulg. sobre el puerto de admisión, apretándola firmemente.

**IMPORTANTE:** Cuando vaya a conectar una manguera flexible al puerto de admisión, **NO quite el collarín de la tapa del puerto de admisión en sí.** Deslice el collarín de la tapa del puerto de admisión hacia atrás cuando vaya a conectar una manguera flexible.



# ACCIONANDO EL COLECTOR DE POLVO

## ⚠ ADVERTENCIA

**PARA LA SEGURIDAD DEL OPERARIO**, mantenga los dedos y todos los cuerpos extraños fuera de los puertos de admisión. El acceso al ventilador girante dentro de la caja del soplador es posible a través de los puertos de admisión y es peligroso. No utilice vestimenta holgada ni artículos de joyería. Asegúrese de que cada puerto de admisión que no esté en uso, o conectado a un sistema de recolección de polvo, se encuentre cubierto por una tapa de puerto de admisión.

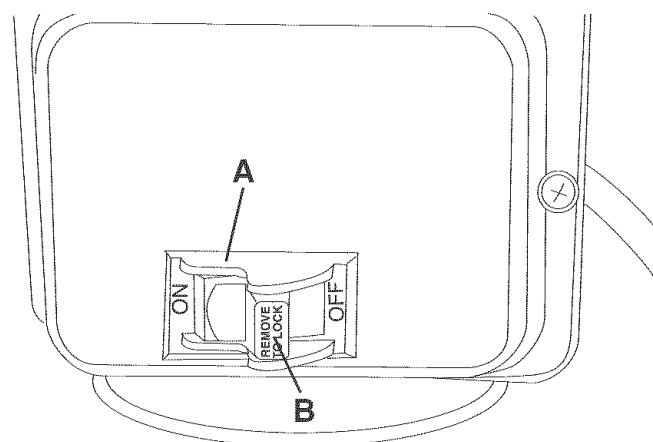
## CONECTANDO LA HERRAMIENTA A LA FUENTE DE ENERGIA

Debe utilizar un circuito eléctrico independiente para sus herramientas. Este circuito no debe ser menor que el alambre #14 A.W.G. y debe estar protegido por un fusible de retardación de 15 Amperios. Haga que un electricista competente reponga o repare inmediatamente cualquier cordón desgastado. Antes de conectar el motor a la línea de energía, asegúrese de que el interruptor esté en la posición de APAGADO y asegúrese de que la corriente eléctrica sea de las mismas características que lo indicado por la placa de notaciones del motor. Todas las conexiones de línea deben hacer buen contacto. El funcionamiento a bajo voltaje perjudicará el motor.

## ⚠ ADVERTENCIA

**NO EXPONGA ESTE COLECTOR DE POLVO A LA LLUVIA NI HAGA USO DE LA MAQUINA EN LUGARES HUMEDOS.**

Fig. 14



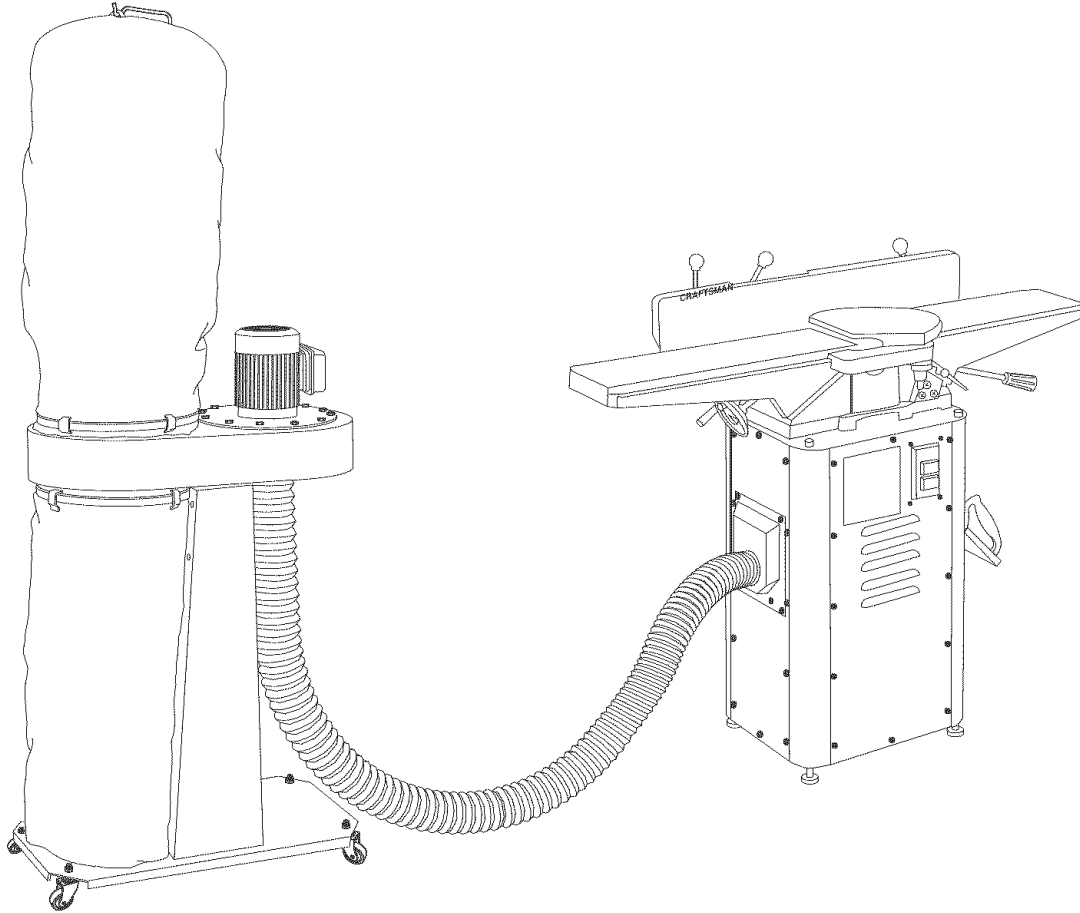
## INTERRUPTOR DE ENCENDIDO/APAGADO

El interruptor de ENCENDIDO/APAGADO se encuentra al costado del motor. Para ENCENDER el colector de polvo, mueva el interruptor (A) hacia arriba a la posición de ENCENDIDO. Para APAGAR el colector de polvo, mueva el mismo interruptor hacia abajo a la posición de APAGADO. Consulte la figura 14.

## FIJANDO EL INTERRUPTOR A LA POSICION DE "APAGADO"

Cuando el colector de polvo no se encuentre en uso, la palanca del interruptor (B) debe quitarse para impedir su activación. Tome la palanca del interruptor para extraerla del ensamblado del interruptor. Con la palanca del interruptor fuera de sitio, el interruptor no podrá ser activado. Sin embargo, si llegase a quitarse la palanca del interruptor mientras que el colector de polvo se encuentra en funcionamiento, podrá ser APAGADO, pero no será posible arrancarlo de nuevo sin haber insertado la palanca del interruptor. Consulte la figura 14.

# COLECTOR DE POLVO EN EL TALLER



A continuación se presentan algunos términos que le ayudarán a entender y montar su Colector de Polvo y a diseñar su propio sistema de recolección de polvo.

**Colector de Polvo** - Máquina utilizada para recolectar polvo fino y astillas de madera.

**Sistema de Recolección de Polvo** - Un colector de polvo conectado a máquinas múltiples de ebanistería mediante el uso de distintos tipos de mangueras/tuberías y conectores.

**C.F.M.** = Pies cúbicos por minuto - Una medida de la cantidad de volumen de aire que puede moverse a través de un colector de polvo en un minuto.

**Presión Estática** - Una medida de la cantidad de resistencia al flujo de aire en un sistema de recolección de polvo.

## COSAS A TOMARSE EN CUENTA:

- ¿Cuál es el C.F.M. máximo requerido para cada herramienta que se propone utilizar? Su Colector de Polvo debe estar tasado para la herramienta que tiene el requisito de C.F.M. más elevado.
- ¿Funcionarán dos o más herramientas a la misma vez? El Colector de Polvo debe estar tasado para manejar los requisitos combinados de C.F.M. para todas las herramientas en funcionamiento.

## CONSEJOS UTILES:

- El diámetro de manguera más grande que sea adecuado debe tenderse lo más lejos posible. El tendido de una

manguera de diámetro menor reducirá considerablemente el C.F.M. en la herramienta, resultando en una recolección de polvo limitada.

- El uso de bolsas de recolección y de filtro bajas en micras puede aumentar la efectividad de su colector de polvo al eliminar las partículas finas de polvo.
- Determine si va a utilizar su Colector de Polvo en un Sistema de Recolección de Polvo o como conexión directa a una herramienta individual. Si se utiliza en un Sistema de Recolección de Polvo, repase los Requisitos de Presión Estática que aparecen a continuación.

## ⚠ ADVERTENCIA

Para protegerse contra los choques de estática, conecte al sistema de recolección de polvo a una conexión a tierra conocida.

Si está haciendo uso del Colector de Polvo como parte de un Sistema de Recolección de Polvo, asegúrese de:

- Conectar el sistema de recolección de polvo a una conexión a tierra conocida.
- Siempre mantenga cerradas las compuertas de descarga a las herramientas que no estén en uso.
- Haga que todos los tendidos sean lo más breve posible, reduciendo la cantidad de dobleces o vueltas que podría impactar la eficiencia de su Colector de Polvo considerablemente.
- Coloque las herramientas que tengan las notaciones de C.F.M. más elevadas lo más cerca al Colector de Polvo.

# COLECTOR DE POLVO EN EL TALLER

## REQUISITOS DE C.F.M. A LAS HERRAMIENTAS

<u>Máquina</u>	<u>C.F.M. Mínimo Requerido</u>	<u>Diámetro Mínimo del Ducto</u>
Sierra de cinta (12 a 16 pulg.)	350 C.F.M.	4 pulg.
Lijadora de correa/disco	450 C.F.M.	5 pulg.
Taladradora	350 – 400 C.F.M.	4 pulg.
Lijadora de tambor (12 a 24 pulg.)	550 – 700 C.F.M.	5 pulg.
Terraaja de piso	350 – 400 C.F.M.	4 a 5 pulg.
Machimbradora (hasta 8 pulg.)	350 – 400 C.F.M.	4 a 5 pulg.
Machimbradora (más de 8 pulg.)	450 – 550 C.F.M.	5 pulg.
Sierra de brazo radial	450 – 600 C.F.M.	5 pulg.
Sierra de ingletes	450 – 600 C.F.M.	5 pulg.
Mesa de recortadora	200 C.F.M.	3 pulg.
Sierra de calar	200 C.F.M.	3 pulg.
Lijadora de huso	400 C.F.M.	4 pulg.
Sierra de mesa (10 pulg.)	350 C.F.M.	4 pulg.
Cepilladora de grosor (10 a 15 pulg.)	400 C.F.M.	4 pulg.
Cepilladora de grosor (16 a 20 pulg.)	600 – 800 C.F.M.	5 a 6 pulg.

## REQUISITOS DE PRESION ESTATICA PARA UN SISTEMA DE RECOLECCION DE POLVO

Utilizando los **PASOS 1 al 4** y el “Cuadro de Requisitos de Presión Estática”, usted podrá determinar la presión estática requerida por su Colector de Polvo.

Paso #1: Multiplique la cantidad de pies de Manguera/Tubería por la notación apropiada en pulgadas.  
*Por ejemplo:* 40 pies de tubería nervada de 4 pulg. en diámetro x 0.11 = **Total de 4.4.**

Paso #2: Multiplique los conectores por las notaciones y luego súmelas.  
*Por ejemplo:* Dos piezas acodadas de 90 grados (utilizando una manguera de 4 pulg. en diámetro) = 0.84 MAS dos conectores en T de 90 grados = 0.98 **Total = 1.82**

Paso #3: Sume **2.5** para los factores de conexión a la máquina y bolsa sucia (1.5 para conexiones + 1.0 por bolsa sucia).

Paso #4: Totalice los tres cálculos antes mencionados. Dicho total no debe exceder la presión estática máxima para su Colector de Polvo.  
*Por ejemplo:* 4.4 (total del Paso #1) x 1.82 (total del Paso #2) + 2.5 (Total del Paso #3) = **8.72**

**En este ejemplo, se requiere un Colector de Polvo con notación de Presión Estática de 8.72 o más. Consulte las Especificaciones del Producto en la página 2 para conseguir la presión estática máxima de su colector de polvo.**

**AVISO:** Para determinar si ha cumplido con el Requisito de Presión Estática al hacer uso de un Sistema de Recolección de Polvo, identifique primero la rama del sistema con el requisito más elevado de presión estática. Si opera su sistema de recolección de polvo con más de una compuerta de descarga abierta, agregue la presión estática de todas las ramas que estén abiertas para determinar el requisito total de presión estática.

### Cuadro de Requisitos de Presión Estática

Tamaño de Manguera	Manguera/Tubería o Tubería Rígida (por pie)	Tubería con nervaduras (por pie)	Pieza acodada de 90 grados	Pieza acodada de 90 grados	Conector en T de 45 grados	Conexión a la máquina	Ajuste por “bolsa sucia”
3	.10	.15	.50	.60	.25	1.50	1.0
4	.07	.11	.42	.49	.21	1.50	1.0
5	.055	.08	.49	.55	.25	1.50	1.0

# COLECTOR DE POLVO EN EL TALLER

Para comprar cualquiera de los Accesorios de Recolección de Polvo listados a continuación, visite su tienda Sears más cercana.

## Conectores varios:

21340	Acoplamiento para manguera de 3 pulg.	21341	Acoplamiento de manguera de 4 pulg.
21363	Pieza acodada de 90 grados de 3 pulg.	21364	Pieza acodada de 90 grados de 4 pulg.
21365	Conector en Y de 3 pulg.	21366	Conector en Y de 4 pulg.
21367	Conector en T de 3 pulg.	21368	Conector en T de 4 pulg.

## Manguera:

21370	Manguera Flexible de 3 pulg. x 10 pies
21371	Manguera Flexible de 3 pulg. x 25 pies
21372	Manguera Flexible de 4 pulg. x 10 pies
21373	Manguera Flexible de 4 pulg. x 25 pies

## Compuerta de descarga:

21359	Compuerta de descarga de 3 pulg. - plástico	21360	Compuerta de descarga de 4 pulg. - plástico
21361	Compuerta de descarga de 3 pulg. - aluminio	21362	Compuerta de descarga de 4 pulg. - aluminio

## Reductores:

21347	Reductor de 5 a 4 pulg.	21348	Reductor de 4 a 3 pulg.
21349	Reductor de 4 a 2-1/2 pulg.	21351	Reductor de 3 a 2-1/2 pulg.
21352	Reductor de 3 a 2 pulg.	21353	Reductor de 2-1/2 a 1-1/2 pulg.

## Abrazaderas de manguera (cant. 2 por paquete):

21354	Abrazadera de manguera de 2 pulg.	21355	Abrazadera de manguera de 2-1/2 pulg.
21356	Abrazadera de manguera de 3 pulg.	21357	Abrazadera de manguera de 4 pulg.
21358	Abrazadera de manguera de 5 pulg.		

## Campanas guardapolvo:

21342	Campana guardapolvo para machimbradora 8-1/4 x 8-1/4 x 4 pulg. en diámetro
21343	Campana guardapolvo para machimbradora 10-1/4 x 8-1/2 x 4 pulg. en diámetro
21344	Campana guardapolvo para sierra de mesa 12-1/4 x 12-1/4 x 4 pulg. en diámetro
21345	Campana guardapolvo para sierra de mesa 14 x 14 x 4 pulg. en diámetro
21346	Campana guardapolvo universal, 6-1/4 x 6-1/4 x 4 pulg. en diámetro

## Terraja de piso:

21369	Terraja de piso
-------	-----------------

## Conjuntos:

21350	Conjunto de Montaje de Pared	(incluye: 6 abrazaderas de pared, 12 tornillos y 12 anclas)
21375	Conjunto de Accesorios para el Colector de Polvo	(contiene: 2-#21372, 1-#21344, 1-#21342, 1-#21346, 4-#21360, 1-#21369, 1-#21366, 1-#21350 y 5-#21357).

# MANTENIMIENTO DEL COLECTOR DE POLVO

## ⚠️ ADVERTENCIA

Apague el interruptor de energía y desenchufe el cordón de potencia de su fuente de energía antes de realizar cualquier mantenimiento. Asegúrese siempre de que las tapas de puerto de admisión cubran los puertos de admisión cuando una manguera no se encuentre conectada al colector de polvo.

## LUBRICACION

El Colector de Polvo tiene cojinetes lubricados sellados en la carcasa de motor. No se requiere ningún lubricado adicional por parte del operario.

## LIMPIEZA

Con el Colector de Polvo desenchufado, purgue el motor con aire a baja presión para eliminar polvo o suciedad. No debe hacerse uso de la presión de aire por encima de los 50 PSI, ya que podrá dañarse el aislamiento. El operario debe utilizar protección ocular en todo momento durante el uso de aire comprimido.

No permita que las astillas y el polvo se acumulen bajo el colector de polvo. Mantenga la zona limpia y en seguro estado.

**PRECAUCION: NO UTILICE MATERIALES INFLAMABLES** para limpiar el colector de polvo.

## ⚠️ ADVERTENCIA

Las reparaciones al Colector de Polvo deben ser realizadas por personal experto solamente. Comuníquese con su Centro de Servicio Sears más cercano para obtener servicio autorizado. Las reparaciones desautorizadas o el reemplazo con piezas que no sean de fábrica podrá resultar en lesiones graves al usuario y daño al colector de polvo.

# GUIA DE LOCALIZACION DE AVERIAS

**PARA PREVENIR LAS LESIONES PERSONALES** o el daño al Colector de Polvo, coloque el interruptor en la posición de "APAGADO" y desenchufe el cordón de energía del tomacorrientes antes de realizar cualquier ajuste.

PROBLEMA	CAUSA PROBABLE	SOLUCION
<b>Motor no arranca</b>	<ol style="list-style-type: none"> <li>1. Interruptor no oprimido lo suficiente o interruptor en el posición de "APAGADO"</li> <li>2. Interruptor defectuoso</li> <li>3. Capacitador defectuoso</li> <li>4. Baja tensión de línea</li> <li>5. Motor defectuoso</li> </ol>	<ol style="list-style-type: none"> <li>1. Presione el interruptor hacia adentro 1/2 pulg. o asegúrese de que esté en la posición de "ENCENDIDO".</li> <li>2. Haga sustituir el interruptor.</li> <li>3. Haga sustituir el capacitador.</li> <li>4. Corrija la condición de baja tensión de línea</li> <li>5. Reponga/repáre el motor</li> </ol> <p>AVISO: 2, 3 y 4 deben ser realizados por un técnico calificado; comuníquese con el servicio de Sears.</p>
<b>Motor calado (resultando en fusibles fundidos o disyuntores disparados)</b>	<ol style="list-style-type: none"> <li>1. Sobrecarga del circuito</li> <li>2. Bajo voltaje de línea</li> <li>3. Impulsador atascado por astillas o escombros</li> <li>4. Sobrecarga del motor</li> <li>5. Fusibles incorrectos en los disyuntores de circuito</li> <li>6. Cortocircuitado el motor; conexiones sueltas o aislamiento gastado en los avances</li> </ol>	<ol style="list-style-type: none"> <li>1. Reduzca la carga del circuito.</li> <li>2. Corrija la condición de baja tensión de línea.</li> <li>3. Limpie todas las mangueras, bolsas y la carcasa de astillas y escombros.</li> <li>4. Reduzca la carga del motor.</li> <li>5. Haga instalar los fusibles correctos en el disyuntor.</li> <li>6. Inspeccione los terminales del motor por si existe aislamiento dañado y cables cortocircuitados; mande a sustituirlos.</li> </ol>
<b>Motor arranca con lentitud o no alcanza plena velocidad</b>	<ol style="list-style-type: none"> <li>1. Devanado defectuoso del motor.</li> <li>2. Capacitador defectuoso</li> </ol>	<ol style="list-style-type: none"> <li>1. Haga que repongan o reparen el motor.</li> <li>2. Haga sustituir el capacitador.</li> </ol>
<b>Motor marcha demasiado caliente</b>	<ol style="list-style-type: none"> <li>1. Restricción de la circulación de aire debido a la acumulación de polvo</li> <li>2. Sobrecarga del motor</li> </ol>	<ol style="list-style-type: none"> <li>1A. Limpie el polvo y restaure la circulación normal del aire.</li> <li>1B. Vacíe y limpie las bolsas de filtro y de recolección.</li> <li>2. Reduzca la carga del motor.</li> </ol>
<b>Apertura frecuente de fusibles o disyuntores de circuito</b>	<ol style="list-style-type: none"> <li>1. Fusibles o disyuntores carecen de capacidad suficiente</li> <li>2. Circuito sobrecargado</li> <li>3. Motor sobrecargado</li> </ol>	<ol style="list-style-type: none"> <li>1. Haga instalar los fusibles o disyuntores correctos.</li> <li>2. Reduzca la carga del circuito (apague los demás enseres).</li> <li>3. Reduzca la carga del motor.</li> </ol>

# PIEZAS

LISTADO DE PIEZAS DEL COLECTOR DE POLVO PORTATIL

MODELO NO. 152.213361

## ⚠ ADVERTENCIA

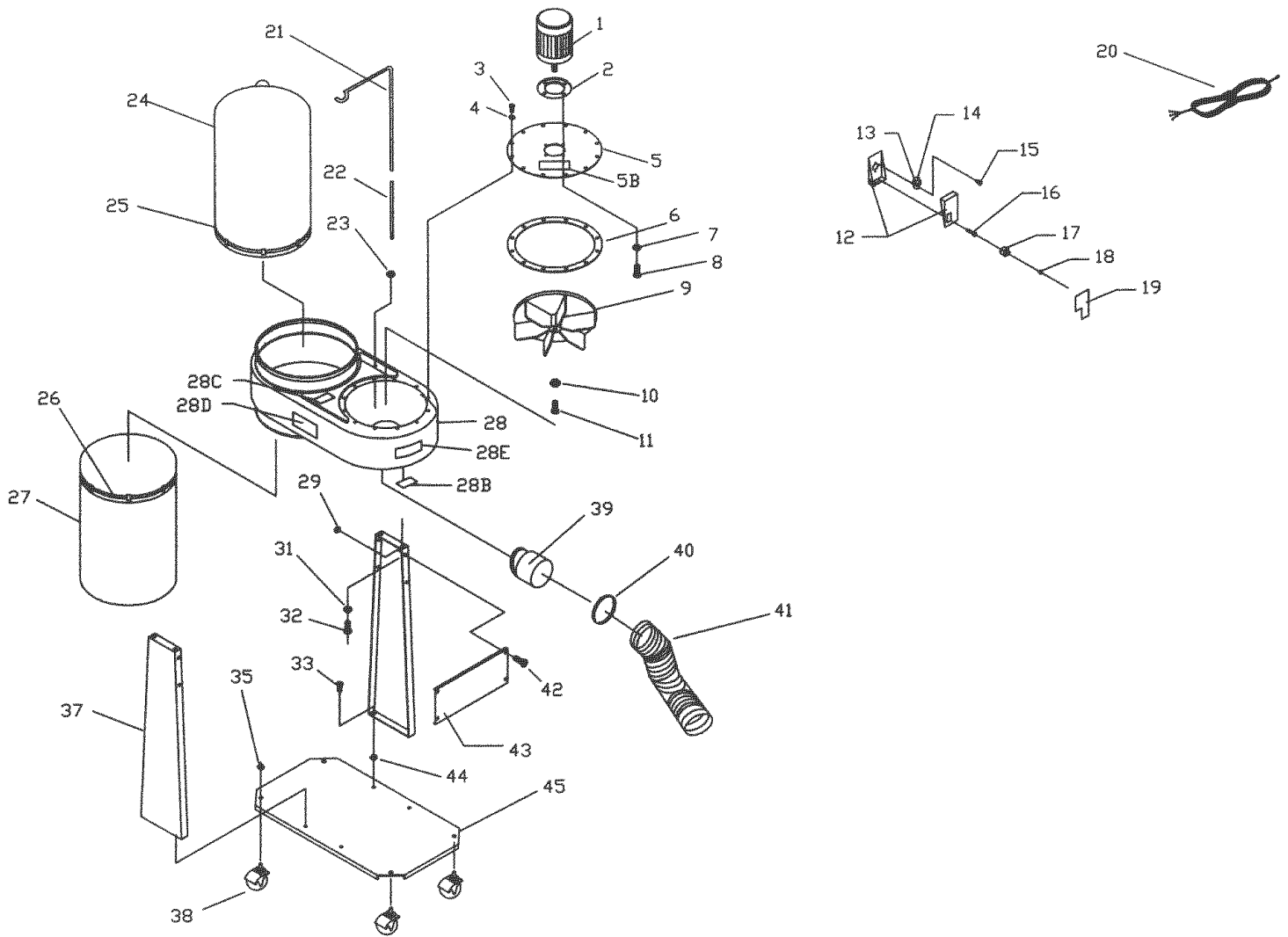
Sólo utilice piezas de repuesto CRAFTSMAN durante el servicio. El uso de cualquier otra pieza podrá crear un **PELIGRO** o daño al producto.

## ⚠ ADVERTENCIA

Cualquier intento por reparar o reemplazar las piezas eléctricas en este Colector de Polvo podrá representar un **PELIGRO** a menos que las reparaciones sean llevadas a cabo por un técnico de servicio calificado. El servicio de reparaciones está disponible en su Centro de Servicio Sears más cercano.

Encargue siempre por NUMERO DE PIEZA y no por número clave.

No. Clave	No. Pieza	Descripción	Cantidad	No. Clave	No. Pieza	Descripción	Cantidad
1	OR90652	ENSAMBLADO DEL MOTOR (COLOR: NEGRO)	1	23	STD541031	TUERCA HEXAGONAL 5/16-18	1
2	OR90653	EMPAQUETADURA	1	24	OR65974	BOLSA DE FILTRO, 30 MICRAS	1
3	STD523105	TORNILLO DE CABEZA HEXAGONAL 5/16-18 X 1/2 pulg.	12	25	OR90662	BANDA DE SUJECIÓN	1
4	OR90615	ARANDELA DE CIERRE 5/16 pulg.	12	26	OR90662	BANDA DE SUJECIÓN	1
*5	OR90655	ENSAMBLADO DE CUBIERTA DEL SOPLADOR (COLOR: PANTONE 877) INCLUYE: 1-OR90656 Y 1-OR90607	*1	27	OR90663	BOLSA DE RECOLECCIÓN, 30 MICRAS	1
6	OR90657	EMPAQUETADURA	1	*28	OR90664	ENSAMBLADO DE LA CAJA DEL SOPLADOR (COLOR: PANTONE 877) INCLUYE: 1-OR90670, 1-OR90600, 2-OR90601 Y 2-OR90598	*1
7	OR90615	ARANDELA DE CIERRE 5/16 pulg.	4	29	OR92134	TUERCA DE PESTAÑA HEXAGONAL 5/16-18	4
8	STD523107	TORNILLO DE CABEZA HEXAGONAL 5/16-18 X 3/4 pulg.	4	31	OR90615	ARANDELA DE CIERRE 5/16 pulg.	4
9	OR90658	IMPULSOR	1	32	STD523106	TORNILLO DE CABEZA HEXAGONAL 5/16-18 X 5/8 pulg.	4
10	STD551031	ARANDELA PLANA 5/16 pulg.	1	33	STD523106	TORNILLO DE CABEZA HEXAGONAL 5/16-18 X 5/8 pulg.	4
11	STD523107	TORNILLO DE CABEZA HEXAGONAL 5/16-18 X 3/4 pulg.	1	35	OR92132	TUERCA DE PESTAÑA HEXAGONAL 3/8-16	4
12	OR90628	ENSAMBLADO DE LA CAJA DEL INTERRUPTOR (COLOR: NEGRO)	1	37	OR90665	SOPORTE LATERAL (COLOR: PANTONE 877)	2
13	OR90727	ABRAZADERA	1	38	OR90648	RUEDA PIVOTANTE	4
14	OR90659	CAPACITOR 50 uf	1	39	OR90650	TAPA DEL PUERTO DE ADMISIÓN	1
15	STD511003	TORNILLO DE CABEZA TRONCOCÓNICA 10-24 X 3/8 pulg.	3	40	OR65935	ABRAZADERA DE MANGUERA DE 4 pulg.	2
16	OR90630	TORNILLO DE CABEZA REFORZADA 10-24 X 3/8 pulg.	1	41	OR90717	MANGUERA FLEXIBLE DE 4 pulg. x 6 pies	1
17	OR90631	ENSAMBLADO DEL INTERRUPTOR		42	STD523106	TORNILLO DE CABEZA HEXAGONAL 5/16-18 X 5/8 pulg.	4
18	OR90632	PALANCA DEL INTERRUPTOR (COLOR: AMARILLO)	1	43	OR90667	SOPORTE (COLOR: PANTONE 877)	1
19	OR92133	ETIQUETA DE ESPECIFICACIONES DEL MOTOR	1	44	OR92134	TUERCA DE PESTAÑA HEXAGONAL 5/16-18	4
20	OR90633	CORDÓN DE ENERGÍA	1	45	OR90668	BASE (COLOR: NEGRO)	1
21	OR90660	COLGANTE SUPERIOR (COLOR: PANTONE 877)	1	N/A	OR92136	MANUAL DEL PROPIETARIO PARA EL MODELO #213361 (NO ILUSTRADO)	1
22	OR90661	COLGANTE INFERIOR (COLOR: PANTONE 877)	1				



# Get it fixed, at your home or ours!

## Your Home

For repair – **in your home** – of **all** major brand appliances, lawn and garden equipment, or heating and cooling systems, **no matter who made it, no matter who sold it!**

For the replacement parts, accessories and owner's manuals that you need to do-it-yourself.

For Sears professional installation of home appliances and items like garage door openers and water heaters.

**1-800-4-MY-HOME®**  
(1-800-469-4663)  
[www.sears.com](http://www.sears.com)

Anytime, day or night  
(U.S.A. and Canada)  
[www.sears.ca](http://www.sears.ca)

---

## Our Home

For repair of carry-in products like vacuums, lawn equipment, and electronics, call or go on-line for the location of the nearest **Sears Parts & Repair Center.**

**1-800-488-1222** Anytime, day or night (U.S.A. only)  
[www.sears.com](http://www.sears.com)

---

To purchase a protection agreement (U.S.A.)  
or maintenance agreement (Canada) on a product serviced by Sears:

**1-800-827-6655** (U.S.A.)

**1-800-361-6665** (Canada)

---

Para pedir servicio de reparación a domicilio, y para ordenar piezas:

**1-888-SU-HOGAR<sup>SM</sup>**  
(1-888-784-8427)

Au Canada pour service en français:

**1-800-LE-FOYER<sup>MC</sup>**  
(1-800-533-6937)  
[www.sears.ca](http://www.sears.ca)



© Sears, Roebuck and Co.

® Registered Trademark / ™ Trademark / <sup>SM</sup> Service Mark of Sears, Roebuck and Co.

® Marca Registrada / ™ Marca de Fábrica / <sup>SM</sup> Marca de Servicio de Sears, Roebuck and Co.

<sup>MC</sup> Marque de commerce / <sup>MP</sup> Marque déposée de Sears, Roebuck and Co.

© Sears, Roebuck and Co.



## Free Manuals Download Website

<http://myh66.com>

<http://usermanuals.us>

<http://www.somanuals.com>

<http://www.4manuals.cc>

<http://www.manual-lib.com>

<http://www.404manual.com>

<http://www.luxmanual.com>

<http://aubethermostatmanual.com>

Golf course search by state

<http://golfingnear.com>

Email search by domain

<http://emailbydomain.com>

Auto manuals search

<http://auto.somanuals.com>

TV manuals search

<http://tv.somanuals.com>