

# Operator's Manual



## Wall Mount DUST COLLECTOR

Model No.  
**351.223140**



**CAUTION:** Read and follow all Safety Rules and Operating Instructions before First Use of this Product.

- Safety Rules
- Operation
- Maintenance
- Parts List
- Español

**Sears, Roebuck and Co., Hoffman Estates, IL 60179 U.S.A.**

[www.sears.com/craftsman](http://www.sears.com/craftsman)

23962.00 Draft (08/10/05)

## TABLE OF CONTENTS

Warranty	2
Safety Rules	2
Unpacking	3
Assembly	3-5
Installation	5
Operation	6
Maintenance	6
Troubleshooting	7
Parts Illustration and List	8-9
Español	10-15

## WARRANTY

### ONE-YEAR FULL WARRANTY ON CRAFTSMAN TOOL

If this Craftsman tool fails due to a defect in material or workmanship within one year from the date of purchase CALL 1-800-4-MY-HOME® TO ARRANGE FOR FREE REPAIR.

If this tool is used for commercial or rental purposes, this warranty will apply for only ninety days from the date of purchase.

This warranty applies only while this tool is in the United States.

This warranty gives you specific legal rights and you may also have other rights, which vary, from state to state.

Sears, Roebuck and Co., Dept. 817WA, Hoffman Estates, IL 60179

## SAFETY RULES

**DANGER:** Do not use this dust collector in a flammable or explosive atmosphere. Do not use to collect metal shavings or dust. Consult National Fire Protection Association (NFPA) standards before setting up a dust collection system, especially NFPA 664.

**WARNING:** For your own safety read all of the instructions and precautions before operating tool.

**CAUTION:** Always follow proper operating procedures as defined in this manual even if you are familiar with use of this or similar tools. Remember that being careless for even a fraction of a second can result in severe personal injury.

### BE PREPARED FOR JOB

- Wear proper apparel. Do not wear loose clothing, gloves, neckties, rings, bracelets or other jewelry which may get caught in moving parts of machine.
- Wear protective hair covering to contain long hair.
- Wear safety shoes with non-slip soles.
- Wear safety glasses complying with United States ANSI Z87.1. Everyday glasses have only impact resistant lenses. They are **NOT** safety glasses.
- Wear face mask or dust mask if operation is dusty.
- Be alert and think clearly. Never operate power tools when tired, intoxicated or when taking medications that cause drowsiness.

### PREPARE WORK AREA FOR JOB

- Keep work area clean. Cluttered work areas invite accidents.

- Do not use power tools in dangerous environments. Do not use power tools in damp or wet locations. Do not expose power tools to rain.
- Work area should be properly lighted.
- Proper electrical receptacle should be available for tool. Three prong plug should be plugged directly into properly grounded, three-prong receptacle.
- Extension cords should have a grounding prong and the three wires of the extension cord should be of the correct gauge.
- Keep visitors at a safe distance from work area.
- Keep children out of workplace. Make workshop childproof. Use padlocks, master switches or remove switch keys to prevent any unintentional use of power tools.

### TOOL SHOULD BE MAINTAINED

- Always unplug tool prior to inspection.
- Consult manual for specific maintaining and adjusting procedures.
- Keep tool lubricated and clean for safest operation.
- Remove adjusting tools. Form habit of checking to see that adjusting tools are removed before switching machine on.
- Keep all parts in working order. Check to determine that the guard or other parts will operate properly and perform their intended function.
- Check for damaged parts. Check for alignment of moving parts, binding, breakage, mounting and any other condition that may affect a tool's operation.
- A guard or other part that is damaged should be properly repaired or replaced. Do not perform makeshift repairs. (Use parts list provided to order replacement parts.)

### KNOW HOW TO USE TOOL

- Use right tool for job. Do not force tool or attachment to do a job for which it was not designed.
- Disconnect tool when performing service or maintenance.
- Avoid accidental start-up. Make sure that the switch is in the OFF position before plugging in.
- Do not force tool. It will work most efficiently at the rate for which it was designed.
- Leave hands free to operate machine. Protect hands from possible injury.
- Never leave tool running unattended. Turn the power off and do not leave tool until it comes to a complete stop.
- Do not overreach. Keep proper footing and balance.
- Never stand on tool. Serious injury could occur if tool is tipped or if blade is unintentionally contacted.
- Keep hands away from moving parts.
- Know your tool. Learn the tool's operation, application and specific limitations.

**DANGER:** The operation of any power tool can result in foreign objects being thrown into the eyes, which can result in severe eye damage. Always wear safety glasses complying with United States ANSI Z87.1 (shown on package) before commencing power tool operation.

## UNPACKING

Check for shipping damage. If damage has occurred, a claim must be filed with the carrier immediately. Check for completeness. Immediately report any missing parts to dealer. Remove all components of dust collector from shipping carton.

Refer to Figure 1.

The dust collector comes assembled as one unit. Additional loose parts which need to be fastened to the dust collector should be located and accounted for before assembly:

- A Mounting brackets (2)
- B Collar with bag clamp
- C Hose
- D Inlet and screws (4)
- E Hose clamp (2)
- F Collector bag (3)
- G Mounting screws and anchors (4 each)
- H Bolts and washers (8 each)

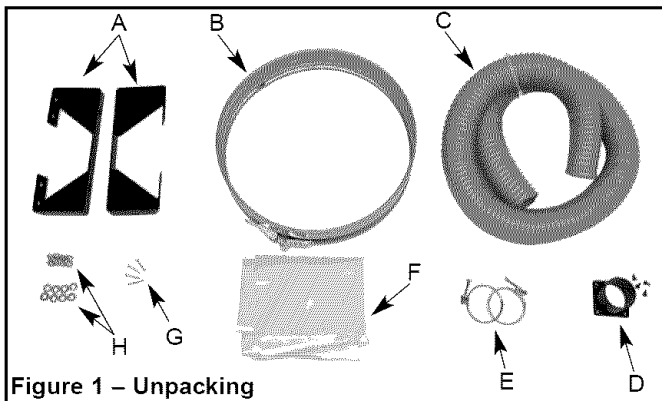


Figure 1 - Unpacking

## ASSEMBLY

### TOOLS NEEDED

- 1/2" Open End Wrench
- Offset or Short Phillips Head Screwdriver
- Portable Drill
- 1/4" Drill Bit
- Hammer

NOTE: For masonry walls, use four masonry anchors and masonry drill bit of proper size for anchors (not supplied).

### SELECT SITE FOR DUST COLLECTOR

Site for the dust collector should be located as close to the woodworking machine(s) as possible. Site should be to the **Left** of the machine(s), on the wall.

### ATTACH WALL BRACKETS TO DUST COLLECTOR ASSEMBLY

Refer to Figure 2.

Wall brackets need to be attached to dust collector body. To attach wall brackets:

- Position wall bracket at set of holes at back of dust collector body.
- Make sure that the bracket is straight up and down and that the narrow side of slot is "UP" as shown.
- Secure each wall bracket to dust collector assembly using four hex head bolts and flat washers.

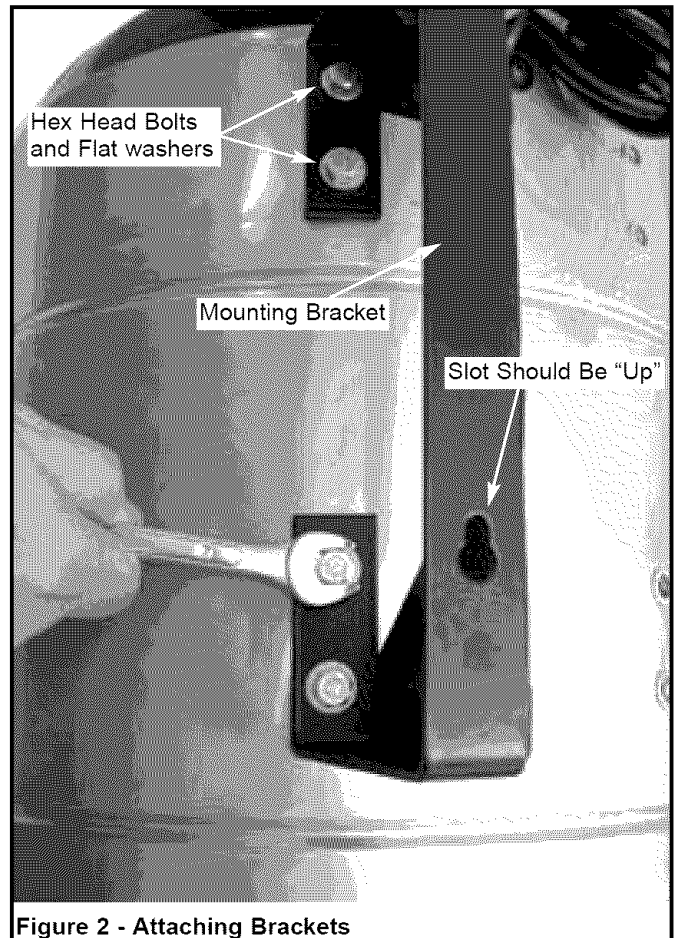


Figure 2 - Attaching Brackets

### INSTALL WALL ANCHORS

Refer to Figure 3.

Wall anchors need to be installed at the site selected for the dust collector. To install wall anchors:

- Mark the location of anchors on the wall according to Figure 3.
- Drill 1/4" hole, 1 1/4" deep at each of the four marks.
- Hammer anchors into each of four holes so that they are flush with wall.
- Partially screw in thread-forming screws so that there is approximately 1/4" of threads showing.

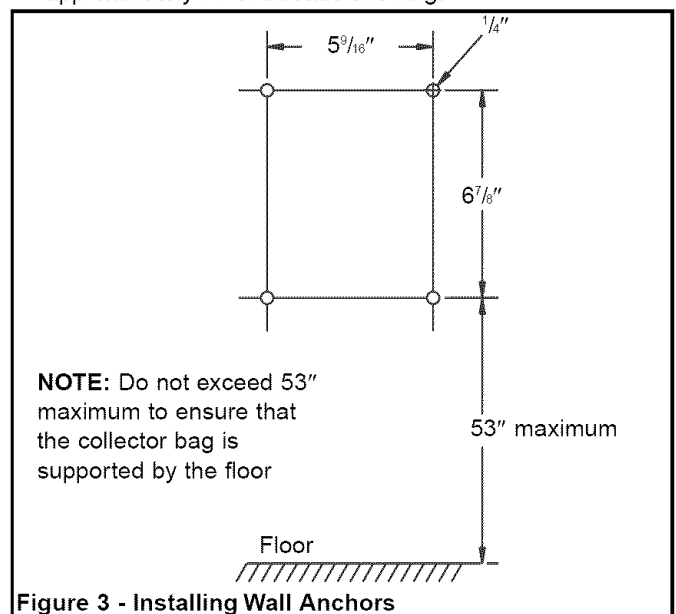


Figure 3 - Installing Wall Anchors

## MOUNT DUST COLLECTOR ASSEMBLY TO WALL

Refer to Figure 4.

To mount dust collector assembly:

- Lift dust collector assembly and position slots in wall brackets over installed anchored screws. Slide dust collector assembly down so that anchored screws rest in narrow portion of slots.

**NOTE:** Mounting dust collector will be easier and safer if done by two people.

- Tighten four screws using offset or short Phillips head screwdriver.

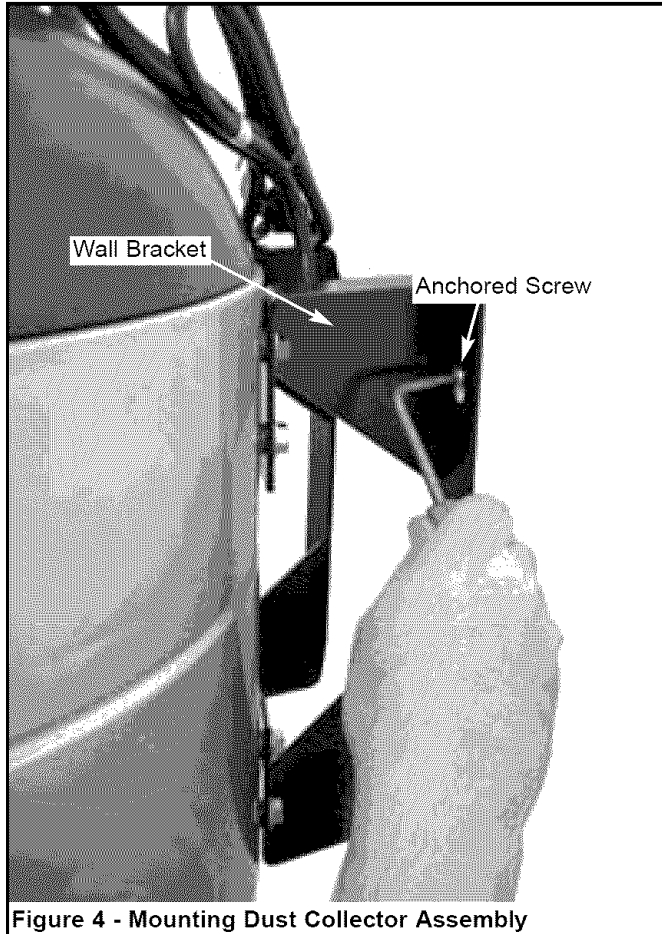


Figure 4 - Mounting Dust Collector Assembly

## ATTACH COLLAR

Refer to Figure 5.

Collar needs to be attached to lower flex-ring of filter. To attach lower collar:

- Pull filter down from dust collector housing.
- Make sure that filter is straight and there are no folds or creases.
- Bend and insert lower flex-ring of filter into upper collar channel.
- Pull down on collar to make sure that flex-ring is entirely in channel.

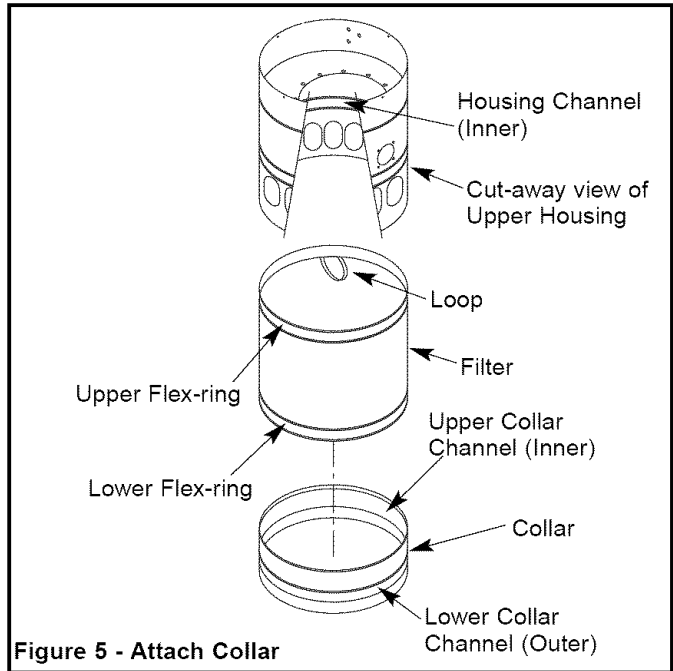


Figure 5 - Attach Collar

## ATTACH COLLECTOR BAG

Refer to Figure 6.

Collector bag needs to be attached to collar using collector bag clamp. To attach collector bag:

- Remove collector bag clamp from collar.
- Slide collector bag over collar. Position bag approximately 2 1/2" above lower edge of collar.

**NOTE:** The bottom of collector bag should rest flat on the floor, so that the floor supports the weight of wood dust and chips.

- Position bag clamp in lower channel of collar over bag.
- Position the spring connector into one of the slots on the latch and lock the clamp handle.
- Make sure collector bag is secure.

**NOTE:** The top of collector bag should **NOT** block the filter. If collector bag does block filter, fold excess bag over bag clamp.

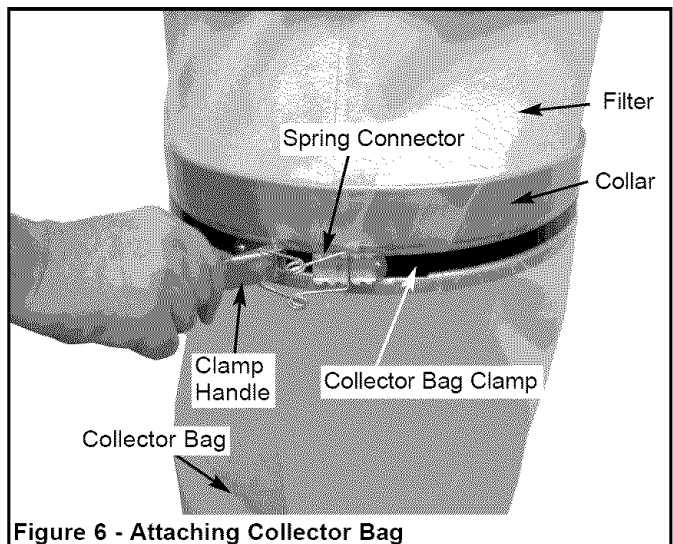


Figure 6 - Attaching Collector Bag

## ATTACH INLET

Refer to Figure 7.

Inlet needs to be attached to right side of dust collector assembly. To attach inlet:

- Position inlet over 2½" hole on right side of dust collector assembly.
- Secure inlet using four 4.2-1.4 x 12mm thread-forming screws.

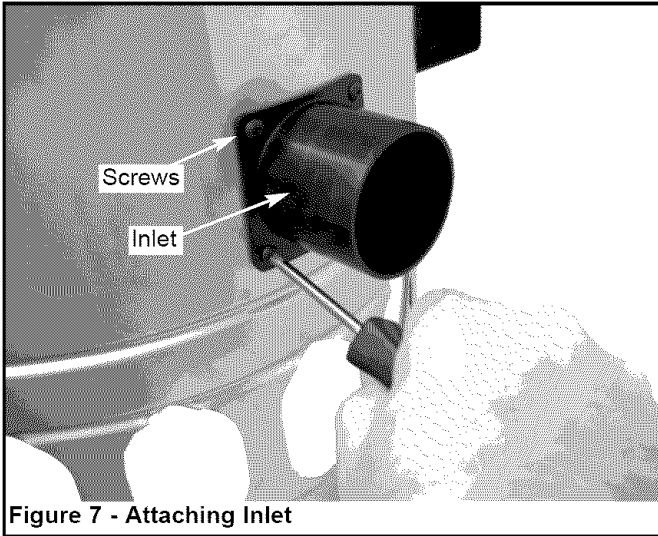


Figure 7 - Attaching Inlet

## ATTACH HOSE

Refer to Figure 8.

Hose needs to be attached to the inlet using hose clamp. To attach hose:

- Slide hose clamp onto one end of hose. Loosen clamp screw if required to slide hose clamp onto hose.
- Position the hose clamp wires on the hose grooves.
- Slide hose with clamp onto inlet.
- Tighten hose clamp screw to secure hose with inlet.
- Slide other hose clamp onto the opposite hose end. This end will be connected to the dust producing machine

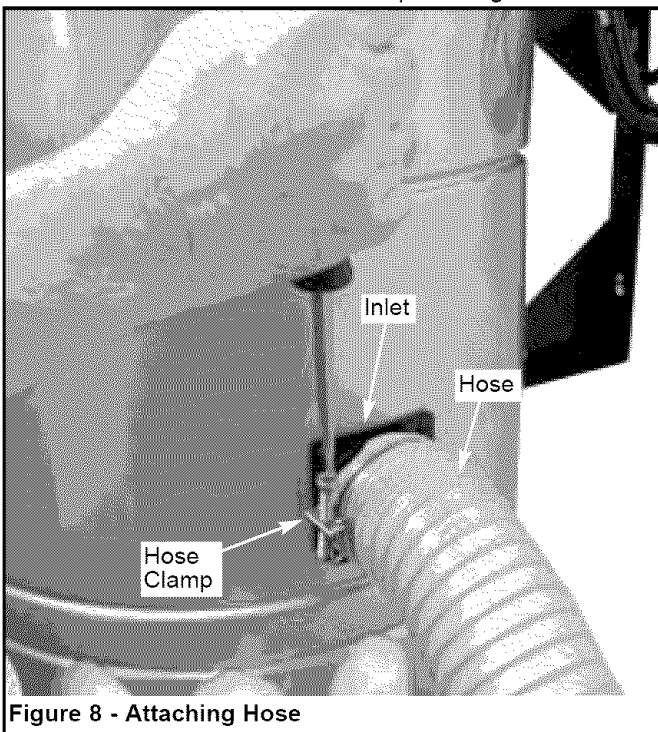


Figure 8 - Attaching Hose

## INSTALLATION

**DANGER:** Do not permit fingers to touch terminals of plug when installing or removing the plug to or from the outlet.

**WARNING:** Do not connect to power source until unit is completely assembled.

### POWER SOURCE

- Motor is designed for operation on the voltage and frequency specified on motor nameplate.
- Normal loads will be handled safely on voltages not more than 10% above or below the specified voltage.
- Running unit on voltages not within range may cause overheating and motor burnout.

### GROUNDING INSTRUCTIONS

Refer to Figure 9.

- This tool is equipped with a 3-conductor cord.
- Do not remove or alter grounding prong in any manner. In the event of malfunction or breakdown, grounding provides path of least resistance for electrical current to reduce risk of electrical shock.
- Plug must be plugged into a matching outlet that is properly installed and grounded in accordance with all local codes and ordinances.
- The conductor with insulation having an outer surface which is green is equipment grounding conductor. If repair or replacement is necessary, make sure equipment grounding conductor is not connected to line terminal.
- If power cord is worn, cut or damaged in any way, have it replaced immediately.

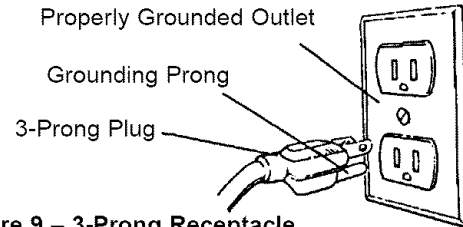


Figure 9 - 3-Prong Receptacle

**CAUTION:** Improper connection of the equipment-grounding conductor can result in a risk of electrical shock.

### EXTENSION CORDS

- The use of any extension cord will cause some drop in the voltage and loss of power.
- Wires of the extension cord must be sufficient in size to carry the current and maintain adequate voltage.
- Use the table below to determine the minimum wire size (A.W.G.) extension cord.
- Use only 3-wire extension cords having 3-prong grounding type plugs and 3-pole receptacles which accept the tool plug.
- If extension cord is worn, cut or damaged in any way, have it replaced immediately.

#### Extension Cord Length

Wire Size	A.W.G.
Up to 50 ft. . . . .	16

**Note:** Using extension cords over 50 ft. long is not recommended.

## OPERATION

### DESCRIPTION

The Craftsman Dust Collector is designed to remove and collect wood dust and wood chips from woodworking machinery. Collector bag collects dust and chips, and makes disposal of dust and chips easy. Collector features 2½ x 72" intake hose.

### SPECIFICATIONS

Motor Horsepower (Max. Developed) . . . . .	1½
Voltage . . . . .	115 V
Amperes . . . . .	9.0
Hertz . . . . .	60
Phase . . . . .	Single
RPM . . . . .	3450
Certification . . . . .	CSA
Air Flow Rate . . . . .	150 CFM
Air Velocity . . . . .	4400 FPM
Maximum Static Pressure . . . . .	3.75" of water column
Sound Level . . . . .	76 dB A
Inlet . . . . .	2½"
Collector Bag Capacity . . . . .	36 gal. (4.9 cu. ft.)
Collector Bag Rating . . . . .	1 micron
Weight . . . . .	55 lbs
Overall Size . . . . .	17¾ x 19 x 72"

### DUST COLLECTOR

**DANGER:** Do not use this dust collector in a flammable or explosive atmosphere. Do not use to collect metal shavings or dust. Consult National Fire Protection Association (NFPA) standards before setting up a dust collection system, especially NFPA 664.

- Connect collector hose to dust producing machine using hose clamp.

**NOTE:** For installations with more than one machine, it is recommended that Craftsman 22313 Shop Dust Collection System be used for best performance.

**NOTE:** A longer hose may be used (maximum length is 40' of 2½" diameter hose). A larger diameter hose may be used, but length will be decreased.

- Turn dust collector on before starting dust producing machine.

### EMPTYING COLLECTOR BAG

Refer to Figure 10.

**DANGER:** Turn switch off and remove plug from power source outlet before emptying collector bag.

- Empty collector bag by lifting bag clamp handle and releasing spring connector from latch. Slide bag away from collar. Dispose of dust properly.
- Mount collector bag by sliding bag over opening on collar. Position the spring connector into one of the slots on the latch and lock the clamp handle. Make sure collector bag is secure and rests flat on floor, so that floor supports the weight of wood dust and chips.

## MAINTENANCE

**WARNING:** Turn switch off and remove plug from power source outlet before maintaining your dust collector.

Refer to Figure 10.

- Clean motor of dust, chips or other particles. If operation is excessively dusty or dirty, frequent inspection of motor is required. Vacuum any particles that may have entered the motor.
- Replace worn, cut or damaged line cord.
- Replace worn or damaged collector hose.
- Replace worn or damaged collector bag.
- Clean or replace filter on a regular basis.
- Frequently check that all nuts, bolts, screws, etc. have not loosened due to collector vibration.

### CLEANING OR REPLACING FILTER

**DANGER:** Turn switch off and remove plug from power source outlet before maintaining your dust collector.

Refer to Figure 5, Page 4.

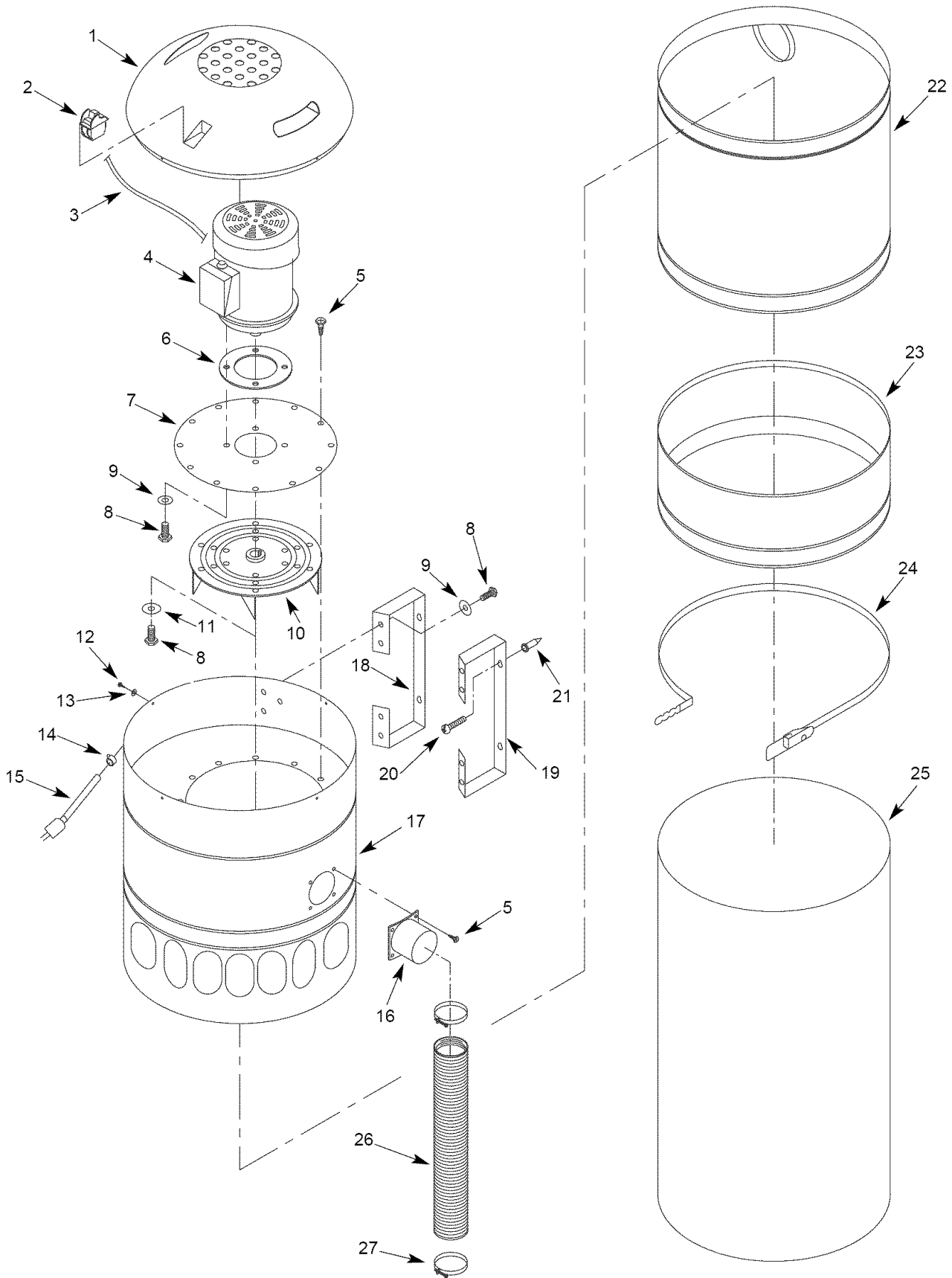
- Remove collector bag.
- Remove collar by pushing flex-ring away from collar.
- Reach into collector housing and pull down on loop at top of filter.
- Clean inside of filter using vacuum.
- Reinstall filter.
- Reinstall collector bag.

## TROUBLESHOOTING

SYMPTOM	POSSIBLE CAUSE(S)	CORRECTIVE ACTION
Motor will not run	<ol style="list-style-type: none"> <li>1. Defective plug, cord, switch or motor</li> <li>2. Blown fuse or circuit breaker</li> </ol>	<ol style="list-style-type: none"> <li>1. Check wiring, replace defective parts</li> <li>2. Check fuse or breaker, replace</li> </ol>
Excessive dust in air	<ol style="list-style-type: none"> <li>1. Leaking bag or hose connection</li> <li>2. Filter or collector bag leaks</li> </ol>	<ol style="list-style-type: none"> <li>1. Check filter and collector bag connections. Check collector hose connections</li> <li>2. Dust trapped under bag clamp or collector bag not sealed on collar</li> </ol>
Excessive impeller noise	<ol style="list-style-type: none"> <li>1. Large debris or piece of wood in impeller housing</li> <li>2. Loose impeller</li> </ol>	<ol style="list-style-type: none"> <li>1. Do not vacuum metal materials. Turn collector off and let debris settle in collector bag.</li> <li>2. Disconnect collector from power source. Remove four screws holding motor/fan assembly to upper blower housing. Carefully lift out motor/fan assembly and lay on workbench. Hold motor shaft from turning using vise grips and tighten bolt holding impeller.</li> </ol>
Excessive motor noise	Defective motor	Have motor checked by qualified motor service technician
Motor fails to develop full power or motor stalls	<ol style="list-style-type: none"> <li>1. Low voltage to collector caused by circuit overload</li> <li>2. Low voltage to collector caused by undersized extension cords</li> <li>3. Low voltage from power source</li> <li>4. Defective motor capacitor</li> </ol>	<ol style="list-style-type: none"> <li>1. Remove other electric machines or appliances from circuit</li> <li>2. Increase wire gauge size of extension cords or shorten extension cords</li> <li>3. Request voltage check from power company</li> <li>4. Replace motor capacitor</li> </ol>
Motor slow to start or fails to reach full speed	<ol style="list-style-type: none"> <li>1. Burned or defective motor</li> <li>2. Defective motor capacitor switch</li> </ol>	<ol style="list-style-type: none"> <li>1. Check motor, replace if necessary</li> <li>2. Check switch, replace if necessary</li> </ol>
Motor overheats	<ol style="list-style-type: none"> <li>1. Motor overload</li> <li>2. Improper motor cooling</li> </ol>	<ol style="list-style-type: none"> <li>1. Reduce load by slowing dust production</li> <li>2. Clean sawdust from motor</li> </ol>
Tripping circuit breaker or fuses	<ol style="list-style-type: none"> <li>1. Motor overloaded</li> <li>2. Improper capacity of circuit breaker or fuses</li> </ol>	<ol style="list-style-type: none"> <li>1. Reduce load by slowing dust production</li> <li>2. Use proper capacity circuit breaker or fuse</li> </ol>

# Model 351.223140

## Figure 10 - Replacement Parts Illustration for Dust Collector





## REPLACEMENT PARTS LIST FOR DUST COLLECTOR

KEY NO.	PART NO.	DESCRIPTION	QTY.
1	23937.00	Cover	1
2	08066.00	Switch	1
3	23938.00	Motor Cord	1
4	23939.00	Motor	1
5	STD861313	4.2-1.4 x 12mm Threadforming Screw*	16
6	21166.00	Motor Gasket	1
7	23942.00	Blower Cover	1
8	STD523107	$\frac{5}{16}$ -18 x $\frac{3}{4}$ " Hex Head Bolt*	13
9	STD551031	$\frac{5}{16}$ " Flat Washer*	12
10	21167.00	Impeller	1
11	05662.00	$\frac{5}{16}$ " Flat Washer (wide)*	1
12	23941.00	$\frac{1}{4}$ -20 x $\frac{3}{4}$ " Socket Pan Head Screw*	4
13	STD551025	$\frac{1}{4}$ " Flat Washer*	4
14	23946.00	Strain Relief	1
15	23947.00	Line Cord	1
16	23948.00	Inlet	1
17	23949.00	Upper Blower Housing	1
18	23950.00	Bracket, LH	1
19	23951.00	Bracket, RH	1
20	23943.00	#8-18 x 1 $\frac{1}{4}$ " Threadforming Screw*	4
21	23944.00	$\frac{1}{4}$ x 1 $\frac{1}{4}$ " Wall Anchor*	4
22	23954.00	Filter	1
23	23955.00	Collar	1
24	23956.00	Collector Bag Clamp	1
25	23957.00	Collector Bag	3
26	23958.00	2 $\frac{1}{2}$ x 72" Flexible Hose	1
27	23959.00	Hose Clamp	2
Δ	24010.00	Screwdriver, L-shape	1
Δ	23962.00	Operator's Manual	1

\* Standard hardware item available locally

Δ Not Shown

# COLECTOR DE POLVO de Montaje en Pared

Modelo No.  
**351.223140**

**PRECAUCION:** Lea y siga todas las Reglas de Seguridad e Instrucciones de Operación antes de utilizar este producto por primera vez.

## CONTENIDO

Inglés .....	2-7
Ilustración y Lista de Partes .....	8-9
Garantía .....	10
Reglas de Seguridad .....	10-11
Desempeque .....	11
Montaje .....	11-13
Instalación .....	13-14
Operación .....	14
Mantenimiento .....	14
Identificación de Problemas .....	15

## GARANTIA

### GARANTIA COMPLETA DE UN AÑO PARA HERRAMIENTA CRAFTSMAN

Si esta herramienta Craftsman fallara por causa de defectos en el material o en la mano de obra en un lapso de un año a partir de la fecha de compra, LLAME al 1-800-4-MY-HOME® PARA SOLICITAR LA REPARACION GRATUITA DEL PRODUCTO.

Si esta herramienta se usa para fines comerciales o de alquiler, esta garantía es válida únicamente por noventa días a partir de la fecha de compra.

Esta garantía aplica únicamente si la herramienta se encuentra en los Estados Unidos.

Esta garantía le otorga derechos legales específicos y también puede usted tener otros derechos que varíen de estado a estado.

**Sears, Roebuck and Co., Dept. 817WA, Hoffman Estates, IL 60179**

## REGLAS DE SEGURIDAD

**PELIGRO:** No utilice este colector de polvo en un ambiente inflamable o explosivo. No lo utilice para recolectar polvo o virutas metálicas. Consulte las normativas de la Asociación Nacional de Protección contra Incendios (National Fire Protection Association, NFPA) antes de instalar un sistema de recolección de polvo, especialmente la NFPA 664.

**ADVERTENCIA:** Por su propia seguridad, lea todas las instrucciones y precauciones antes de manejar la herramienta.

**PRECAUCION:** Siempre siga los procedimientos de operación correctos, tal como se definen en este manual, aun cuando esté familiarizado con el uso de ésta o de otras herramientas similares. Recuerde que descuidarse aunque sólo sea por una fracción de segundo puede ocasionarle graves lesiones.

### EL OPERADOR DEBE ESTAR PREPARADO PARA EL TRABAJO

- Use ropa apropiada. No use ropa holgada, guantes, corbatas, anillos, pulseras ni otras joyas que puedan atascarse en las piezas móviles de la máquina.

- Use una cubierta protectora para el cabello, para sujetar el cabello largo.
- Use zapatos de seguridad con suelas antideslizantes.
- Use gafas de seguridad que cumplan con la norma ANSI Z87.1 de los Estados Unidos. Los anteojos comunes tienen lentes que sólo son resistentes al impacto. **NO** son anteojos de seguridad.
- Use una máscara para la cara o una máscara contra el polvo, si al utilizar la herramienta se produce mucho polvo.
- Esté alerta y piense claramente. Nunca maneje herramientas mecánicas cuando esté cansado, intoxicado o bajo la influencia de medicación que produzca somnolencia.

### PREPARE EL AREA DE TRABAJO PARA LA TAREA A REALIZAR

- Mantenga el área de trabajo limpia. Las áreas de trabajo desordenadas atraen accidentes.
- No use herramientas mecánicas en ambientes peligrosos. No use herramientas mecánicas en lugares húmedos o mojados. No exponga las herramientas mecánicas a la lluvia.
- El área de trabajo debe estar iluminada adecuadamente.
- Debe haber disponible una toma de corriente adecuada para la herramienta. El enchufe de tres puntas debe enchufarse directamente a un receptáculo para tres puntas puesto a tierra correctamente.
- Los cordones de extensión deben tener una punta de conexión a tierra y los tres conductores del cordón de extensión deben ser del calibre correcto.
- Mantenga a los visitantes a una distancia prudente del área de trabajo.
- Mantenga a los niños fuera del lugar de trabajo. Haga que su taller sea a prueba de niños. Use candados, interruptores maestros y extraiga las llaves del arrancador para impedir cualquier uso involuntario de las herramientas mecánicas.

### SE DEBE DAR MANTENIMIENTO A LA HERRAMIENTA

- Desenchufe siempre la herramienta antes de inspeccionarla.
- Consulte el manual para informarse sobre los procedimientos de mantenimiento y ajuste específicos.
- Mantenga la herramienta lubricada y limpia de modo que funcione de la manera más segura.
- Retire las herramientas de ajuste. Desarrolle el hábito de verificar que hayan sido retiradas las herramientas de ajuste antes de encender la máquina.
- Mantenga todas las partes listas para funcionar. Revise el protector u otras piezas para determinar si funcionan correctamente y hacen el trabajo que deben hacer.
- Revise que no haya partes dañadas. Verifique el alineamiento de las partes móviles, si hay atascamiento, roturas y montaje o cualquier otra condición que pudiera afectar el funcionamiento de la herramienta.
- Si hay una protección o cualquier otra parte dañada, éstas deberán repararse correctamente o ser reemplazadas. No haga reparaciones provisionales. (Válgase de la lista de piezas incluida para solicitar piezas de reemplazo.)

### EL OPERADOR DEBE SABER COMO USAR LA HERRAMIENTA

- Use la herramienta correcta para cada trabajo. No fuerce la herramienta o el accesorio ni los use para una tarea para la que no fueron diseñados.
- Desconecte la herramienta cuando le dé servicio o mantenimiento a la misma.
- Evite que la herramienta se encienda accidentalmente. Asegúrese que el interruptor esté en la posición OFF (apagado) antes de enchufar la herramienta.

- No fuerce la herramienta. Funcionará en la forma más eficiente a la velocidad para la cuál se diseñó.
- Mantenga las manos libres para poder operar la máquina. Protéjase las manos de posibles lesiones.
- Nunca deje desatendida una herramienta en funcionamiento. Desconéctela y no la abandone hasta que se haya detenido por completo.
- No trate de alcanzar demasiado lejos. Manténgase firme y equilibrado.
- Nunca se coloque de pie sobre la herramienta. Se pueden producir lesiones graves si la herramienta se vuelca o se hace contacto con la hoja sin intención.
- Mantenga las manos alejadas de las partes móviles.
- Conozca su herramienta. Aprenda a manejar la herramienta, su aplicación y limitaciones específicas.

**PELIGRO:** La operación de toda herramienta mecánica puede hacer que salgan arrojados objetos extraños hacia los ojos y les causen graves heridas. Antes de comenzar a utilizar la herramienta mecánica, póngase siempre gafas de seguridad (mostradas en el empaque) que cumplan con la norma ANSI Z87.1 de los Estados Unidos.

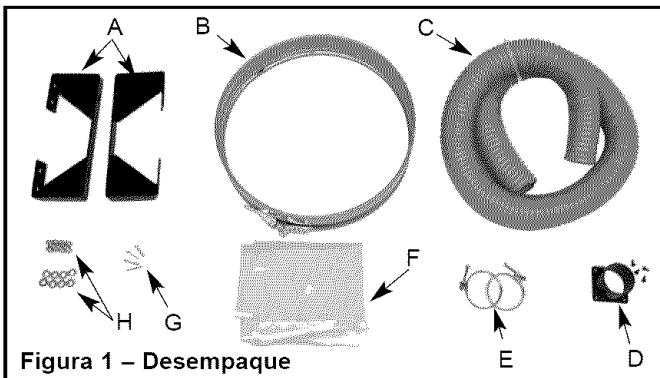
## DESEMPAQUE

Verifique que no hayan ocurrido daños durante el envío. De ser así, deberá enviarse de inmediato una reclamación a la compañía transportista. Verifique que esté completa. Avísele inmediatamente al distribuidor si faltan partes. Retire de la caja de envío todos los componentes del colector de polvo.

Consulte la Figura 1.

El colector de polvo viene armado como una unidad. Será necesario localizar y ver que no falten las partes adicionales que deben montarse en el colector de polvo, antes de instalarlas:

- A Soportes de montaje (2)
- B Collar con abrazadera de bolsa
- C Manguera
- D Entrada y tornillos (4)
- E Abrazadera de la manguera (2)
- F Bolsa del colector (3)
- G Anclas y tornillos de montaje (4 de cada uno)
- H Pernos y arandelas (8 de cada uno)



## MONTAJE

### HERRAMIENTAS NECESARIAS

- Llave de extremo abierto de 1/2"
- Destornillador con cabeza acodada o Phillips corto
- Taladro portátil
- Broca de 1/4"
- Martillo

**NOTA:** Para las paredes de mampostería, utilice cuatro anclas para mampostería y una broca para mampostería del tamaño adecuado para las brocas (no suministradas).

### SELECCIONE UN LUGAR PARA INSTALAR EL COLECTOR DE POLVO

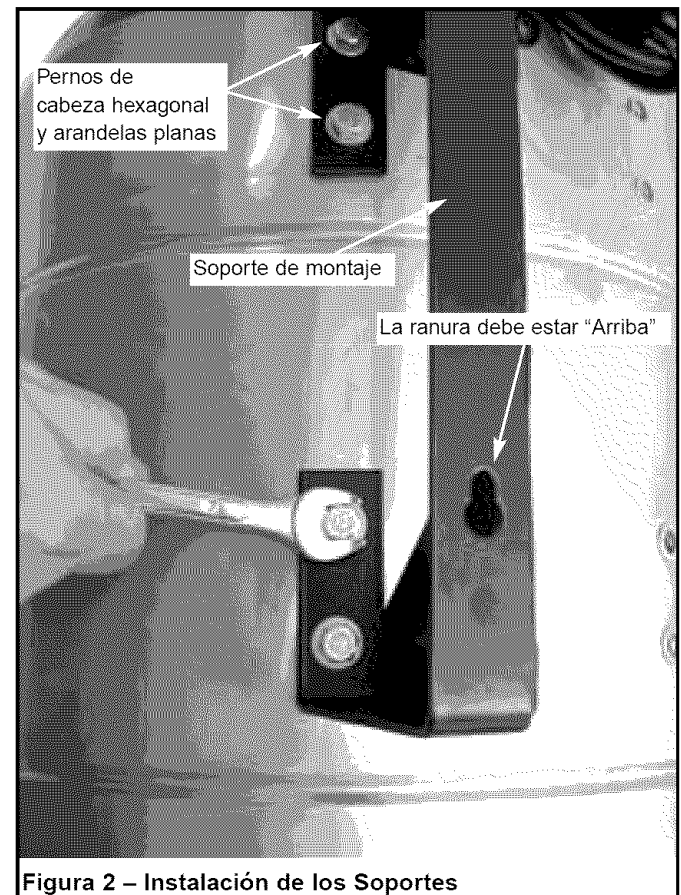
El colector de polvo debe situarse lo más cerca posible a la(s) máquina(s) de carpintería. Se debe seleccionar un lugar en la pared que esté a la **izquierda** de la(s) máquina(s).

### INSTALE LOS SOPORTES PARA LA PARED EN EL CONJUNTO DEL COLECTOR DE POLVO

Consulte la Figura 2.

Los soportes para la pared deben instalarse en el cuerpo del colector de polvo. Para instalar los soportes para la pared:

- Sitúe el soporte para la pared en la serie de agujeros que están en la parte posterior del cuerpo del colector de polvo.
- Asegúrese que la pieza de soporte esté en posición vertical (de arriba hacia abajo) y que el lado angosto de la ranura esté "ARRIBA", como se muestra.
- Fije cada soporte para la pared en el conjunto del colector de polvo usando cuatro pernos de cabeza hexagonal y arandelas planas.

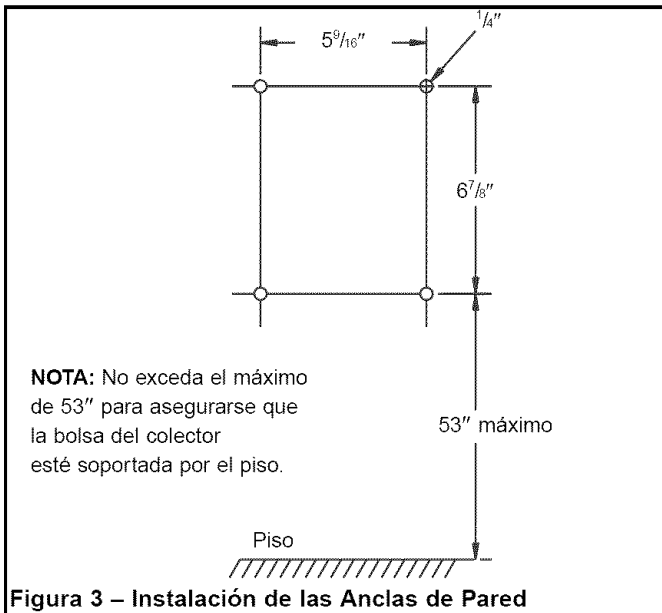


### INSTALE ANCLAS PARA PARED

Consulte la Figura 3, página 12.

Las anclas para pared deben instalarse en el lugar seleccionado para el colector de polvo. Para instalar las anclas para pared en la pared:

- Marque la posición de las anclas en la pared de acuerdo con la Figura 3.
- Taladre un agujero de 1/4" de diámetro y 1 1/4" de profundidad en cada una de las cuatro posiciones marcadas.
- Con un martillo, clave las anclas en cada uno de los cuatro agujeros hasta que estén al ras con la pared.
- Atornille parcialmente tornillos autorroscantes hasta que haya aproximadamente 1/4" de las roscas visibles.



### MONTE EL CONJUNTO DEL COLECTOR DE POLVO EN LA PARED

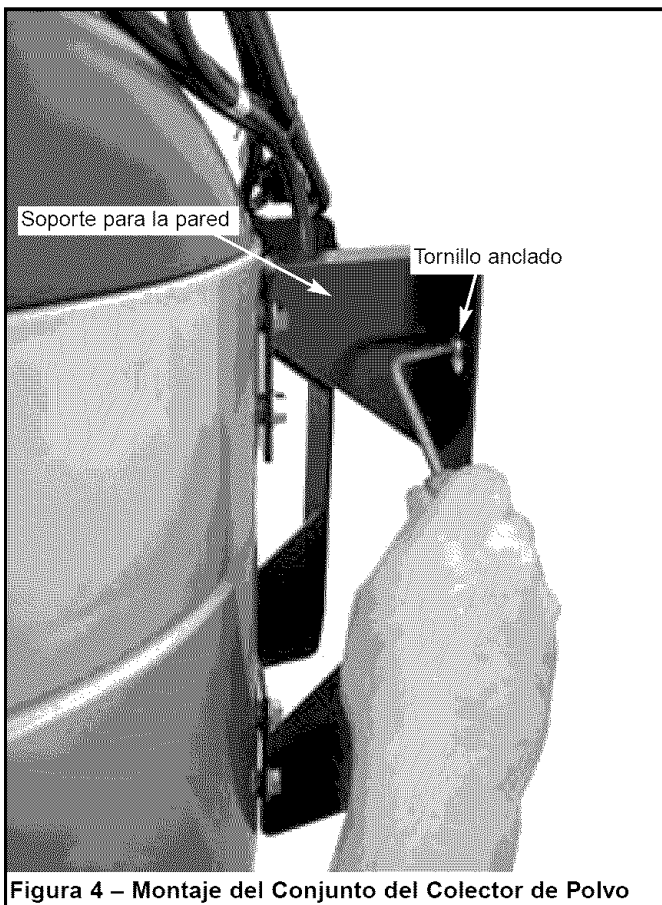
Consulte la Figura 4.

Para montar el conjunto del colector de polvo:

- Levante el conjunto del colector de polvo y coloque las ranuras en los soportes para la pared sobre los tornillos anclados instalados. Deslice el conjunto del colector de polvo hacia abajo de manera que los tornillos anclados descansen en las porciones angostas de las ranuras.

**NOTA:** La operación de montaje del colector de polvo será más fácil y más segura si es realizada por dos personas.

- Apriete los cuatro tornillos usando el destornillador de cabeza acodada o Phillips.

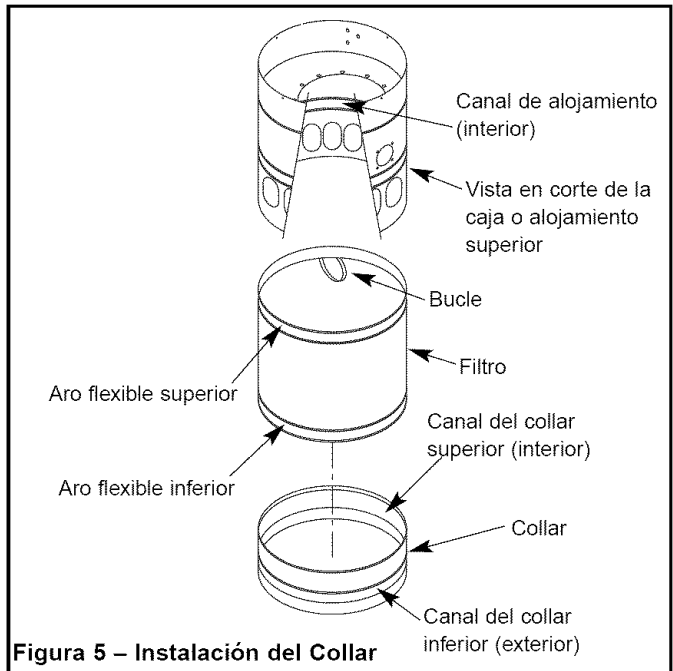


### INSTALE EL COLLAR

Consulte la Figura 5.

El collar debe instalarse en el aro flexible inferior del filtro. Para instalar el collar inferior:

- Tire del filtro hacia abajo para sacarlo de la caja del colector.
- Cerchiórese de que el filtro esté recto y no esté doblado ni plegado.
- Doble e inserte el aro flexible inferior del filtro en el canal del collar superior.
- Tire del collar hacia abajo para asegurarse que el aro flexible esté totalmente dentro del canal.



### INSTALE LA BOLSA DEL COLECTOR

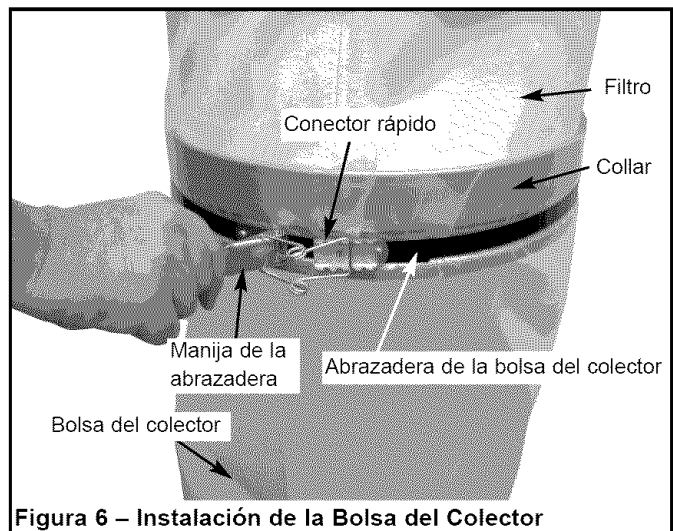
Consulte la Figura 6.

La bolsa del colector debe instalarse en el collar usando la abrazadera para la bolsa del colector. Para instalar la bolsa del colector:

- Retire del collar la abrazadera de la bolsa del colector.
- Deslice la bolsa del colector sobre el collar. Coloque la bolsa a aproximadamente 2 1/2" por encima del borde inferior del collar.

**NOTA:** La parte inferior de la bolsa del colector deberá descansar plana sobre el piso, para que el piso soporte el peso del polvo y de las virutas de madera.

- Coloque la abrazadera de la bolsa en el canal inferior del collar sobre la bolsa.



- Coloque el conector rápido en una de las ranuras del pestillo y fije la manija de la abrazadera.
- Asegúrese que la bolsa del colector esté fija.

**NOTA:** La parte superior de la bolsa del colector **NO** deberá bloquear el filtro. Si la bolsa del colector bloquea el filtro, doble el exceso de la bolsa sobre la abrazadera de la bolsa.

### INSTALE LA ENTRADA

Consulte la Figura 7.

La entrada debe instalarse en el lado derecho del conjunto del colector de polvo. Para instalar la entrada:

- Coloque la entrada sobre el agujero de 2 1/2" que está en el lado derecho del conjunto del colector de polvo.
- Fije la entrada usando cuatro tornillos autorroscantes de 4.2-1.4 x 12 mm

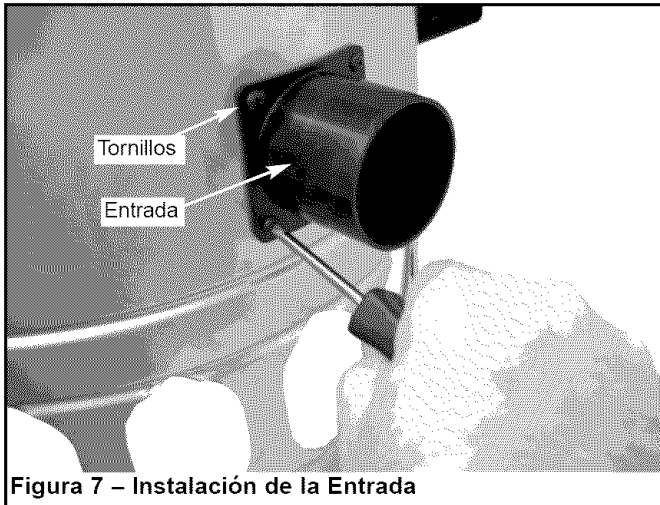


Figura 7 – Instalación de la Entrada

### INSTALE LA MANGUERA

Consulte la Figura 8.

La manguera debe conectarse en la entrada usando la abrazadera para la manguera.

Para conectar la manguera:

- Deslice la abrazadera de la manguera por un extremo de la manguera. Afloje el tornillo de la abrazadera si es necesario para deslizar la abrazadera de la manguera sobre la manguera.

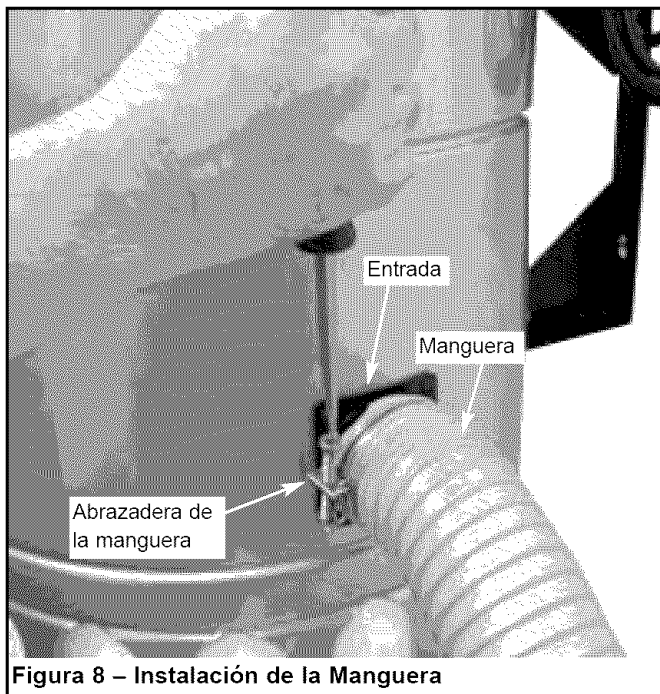


Figura 8 – Instalación de la Manguera

- Coloque los cables de la abrazadera de la manguera en las ranuras de la manguera.
- Deslice y monte la manguera con la abrazadera en la entrada.
- Apriete el tornillo de la abrazadera de la manguera para fijar la manguera en la entrada.
- Deslice la otra abrazadera de la manguera por el extremo opuesto de la manguera. Este extremo se conectará a la máquina productora de polvo.

## INSTALACION

**PELIGRO:** Al conectar o desconectar el enchufe del zócalo, no permita por ningún motivo que sus dedos toquen las clavijas.

**ADVERTENCIA:** No conecte la fuente de alimentación hasta que la unidad esté totalmente armada.

### FUENTE DE ALIMENTACION

- El motor ha sido diseñado para funcionar al voltaje y frecuencia especificados en la placa del fabricante.
- Las cargas normales se pueden manejar con seguridad con voltajes no mayores de un 10% por encima o por debajo del voltaje especificado.
- Si se hace funcionar la unidad a un voltaje fuera de este intervalo, se puede recalentar y quemar el motor.

### INSTRUCCIONES PARA LA CONEXION A TIERRA

Consulte la Figura 9.

- La herramienta está equipada con un cable de 3 conductores.
- No retire ni modifique en forma alguna la punta de conexión a tierra. En caso de un mal funcionamiento o una descompostura, la conexión a tierra proporciona una ruta de menor resistencia para la corriente eléctrica a fin de reducir el riesgo de descarga eléctrica.
- El enchufe debe conectarse en el tomacorriente correspondiente que haya sido instalado y conectado a tierra debidamente, de acuerdo con todos los códigos y regulaciones locales.
- El conductor con aislamiento cuya superficie exterior es verde es el conductor a tierra del equipo. Si es necesario llevar a cabo una reparación o un reemplazo, asegúrese que el conductor a tierra del equipo no se encuentre conectado al terminal de línea.
- Si el cordón de corriente eléctrica está desgastado, cortado o dañado en cualquier manera, cámbielo inmediatamente.

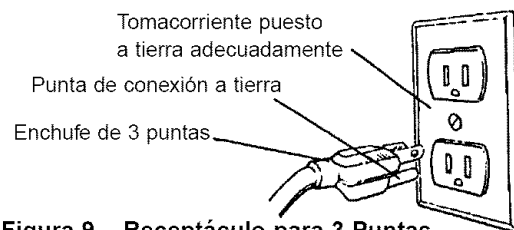


Figura 9 – Receptáculo para 3 Puntas

**PRECAUCION:** Si no se conecta correctamente el conductor a tierra del equipo, se corre el riesgo de un electrochoque.

### CORDONES DE EXTENSION

- El uso de cualquier tipo de cordón de extensión ocasionará una caída en el voltaje y una pérdida de potencia.
- Los alambres del cordón de extensión deben tener el tamaño suficiente para transportar la corriente adecuada y mantener el voltaje correcto.
- Utilice la tabla que se da abajo para determinar el tamaño mínimo del alambre (según la norma AWG) del cordón de extensión.
- Utilice únicamente cordones de extensión trifilares que tengan enchufes tipo conexión a tierra de tres puntas y receptáculos tripolares que acepten el enchufe de la herramienta.
- Si el cordón de extensión está desgastado, cortado o dañado en cualquier manera, cámbielo inmediatamente.

## Longitud del cordón de extensión

Tamaño del alambre	Norma AWG
Hasta 50 pies.	16

**NOTA:** No se recomienda utilizar cordones de extensión de más de 50 pies.

## OPERACION

### DESCRIPCION

El Colector de Polvo Craftsman ha sido diseñado para extraer y recolectar las astillas de madera de las máquinas utilizadas para trabajar maderas. La bolsa del colector recolecta las astillas de madera y el polvo de la madera y facilita el desecho de los mismos. El colector tiene una manguera de entrada de 2½" x 72".

### ESPECIFICACIONES

Caballaje del motor (máximo desarrollado)	1½
Voltaje	115V
Amperaje	9.0
Hertzios	60
Fase	Monofásico
RPM	3450
Certificación	CSA
Velocidad de flujo de aire	150 PPM
Velocidad del aire	4400 PPM
Presión estática máxima	3.75" de columna de agua
Nivel de sonido	76 dB A
Entrada	2½"
Capacidad de la bolsa del colector	36 galones (4.9 pies cúbicos)
Capacidad de la bolsa del colector	1 micra
Peso	55 lbs
Tamaño total	17¾ x 19 x 72"

### COLECTOR DE POLVO

**PELIGRO:** No utilice este colector de polvo en un ambiente inflamable o explosivo. No lo utilice para recolectar polvo o virutas metálicas. Consulte las normativas de la Asociación Nacional de Protección contra Incendios (National Fire Protection Association, NFPA) antes de instalar un sistema de recolección de polvo, especialmente la NFPA 664.

- Conecte la manguera del colector a la máquina productora de polvo usando la abrazadera de la manguera.

**NOTA:** En las instalaciones donde hay más de una máquina, se recomienda utilizar el Sistema de Recolección de Polvo para Talleres 22313 Craftsman para obtener los mejores resultados.

**NOTA:** Si lo desea, puede utilizar una manguera más larga (la máxima longitud es 40 pies para una manguera de 2½" de diámetro). Se puede utilizar una manguera de mayor diámetro, pero la longitud será menor.

- Encienda el colector de polvo antes de arrancar la máquina que produce polvo.

### COMO VACIAR LA BOLSA DEL COLECTOR

Consulte la Figura 10, página 8.

**PELIGRO:** Apague el interruptor y retire el enchufe del tomacorriente de la fuente de alimentación antes de vaciar la bolsa del colector.

- Vacíe la bolsa del colector levantando la manija de la abrazadera de la bolsa y soltando el conector rápido del pestillo. Deslice la bolsa y sepárela del collar. Deseche adecuadamente el polvo.
- Monte la bolsa del colector. Para hacer esto, deslice la bolsa sobre la abertura en el collar. Coloque el conector rápido en una de las ranuras del pestillo y fije la manija de la abrazadera. Asegúrese que la bolsa del colector esté bien sujeta y descansen plana sobre el piso, a fin de que el piso soporte el peso del polvo y de las astillas de madera.

## MANTENIMIENTO

**ADVERTENCIA:** Apague el interruptor y retire el enchufe del tomacorriente de la fuente de alimentación antes de realizar el mantenimiento del colector.

Consulte la Figura 10, página 8.

- Limpie del motor todo polvo, astillas u otras partículas. Si la operación levanta mucho polvo o suciedad, deberá inspeccionarse el motor con frecuencia. Aspire las partículas que puedan haber ingresado en el motor.
- Reemplace los cables desgastados, cortados y dañados.
- Reemplace las mangueras del colector desgastadas o dañadas.
- Reemplace las bolsas del colector desgastadas o dañadas.
- Limpie o reemplace el filtro en forma regular.
- Verifique con frecuencia todas las tuercas, pernos, tornillos, etc. para asegurarse que no se hayan aflojado debido a la vibración del colector.

### LIMPIEZA O REEMPLAZO DEL FILTRO

**PELIGRO:** Apague el interruptor y retire el enchufe del tomacorriente de la fuente de alimentación antes de realizar el mantenimiento del colector.

Consulte la Figura 5, página 12.

- Retire la bolsa del colector.
- Empuje y saque el aro flexible del collar, luego retire el collar.
- Inserte la mano en la caja del colector y tire del bucle, en la parte superior del filtro, hacia abajo.
- Limpie el interior del filtro con una aspiradora.
- Vuelva a instalar el filtro.
- Vuelva a instalar la bolsa del colector.

## IDENTIFICACION DE PROBLEMAS

SINTOMA	CAUSAS(S) POSIBLE(S)	MEDIDA CORRECTIVA
El motor no funciona	<ol style="list-style-type: none"> <li>1. Enchufe, cable, interruptor o motor defectuoso</li> <li>2. Fusible o interruptor de circuito quemado</li> </ol>	<ol style="list-style-type: none"> <li>1. Revise el cableado, reemplace las partes defectuosas</li> <li>2. Revise el fusible o el interruptor, reemplácelos</li> </ol>
Demasiado polvo en el aire	<ol style="list-style-type: none"> <li>1. Fuga en la bolsa o conexión de la manguera</li> <li>2. La bolsa del colector o del filtro tiene una fuga</li> </ol>	<ol style="list-style-type: none"> <li>1. Revise las conexiones de la bolsa del colector y del filtro. Verifique las conexiones de la manguera del colector</li> <li>2. Hay polvo atrapado debajo de la abrazadera de la bolsa o la bolsa del colector no está sellada en el collar</li> </ol>
El impulsor hace demasiado ruido	<ol style="list-style-type: none"> <li>1. Restos grandes de material o pedazo de madera en el alojamiento del impulsor</li> <li>2. Rueda móvil suelta</li> </ol>	<ol style="list-style-type: none"> <li>1. No aspire materiales metálicos. Apague el colector y deje que los residuos se asienten en la bolsa del colector</li> <li>2. Desconecte el colector de la fuente de alimentación. Extraiga los cuatro tornillos que sujetan el conjunto del motor y ventilador en el alojamiento del soplador superior. Levante cuidadosamente el conjunto del motor y ventilador y tiéndalo en la mesa de trabajo. Sujete el eje del motor con una prensa para inmovilizarlo, y apriete el perno que sujeta el impulsor</li> </ol>
El motor hace demasiado ruido	Motor defectuoso	Haga que un técnico calificado de mantenimiento de motores revise el motor
El motor no desarrolla su máxima potencia o el motor se detiene	<ol style="list-style-type: none"> <li>1. Bajo voltaje en el colector debido a una sobrecarga en el circuito</li> <li>2. Bajo voltaje en el colector debido a cordones de extensión demasiado cortos</li> <li>3. Bajo voltaje proveniente de la fuente de alimentación</li> <li>4. Capacitor del motor defectuoso</li> </ol>	<ol style="list-style-type: none"> <li>1. Desconecte del circuito toda máquina eléctrica o electrodoméstico</li> <li>2. Aumente el calibre del alambre de los cordones de extensión o acorte los cordones de extensión</li> <li>3. Solicítele a la compañía de energía eléctrica que revise el voltaje</li> <li>4. Reemplace el capacitor del motor</li> </ol>
El motor arranca lentamente o no alcanza su máxima potencia	<ol style="list-style-type: none"> <li>1. Motor quemado o defectuoso</li> <li>2. Interruptor del capacitor del motor defectuoso</li> </ol>	<ol style="list-style-type: none"> <li>1. Revise el motor, reemplácelo de ser necesario</li> <li>2. Revise el interruptor, reemplácelo de ser necesario</li> </ol>
El motor se recalienta	<ol style="list-style-type: none"> <li>1. Sobrecarga del motor</li> <li>2. Enfriamiento inadecuado del motor</li> </ol>	<ol style="list-style-type: none"> <li>1. Disminuya la producción de polvo, para reducir la carga</li> <li>2. Elimine el aserrín acumulado en el motor</li> </ol>
Se dispara el cortocircuito o los fusibles	<ol style="list-style-type: none"> <li>1. Motor sobrecargado</li> <li>2. Capacidad inadecuada del cortacircuito o los fusibles</li> </ol>	<ol style="list-style-type: none"> <li>1. Reduzca la carga disminuyendo la producción de polvo</li> <li>2. Use cortacircuito o fusibles de la capacidad adecuada</li> </ol>

# Get it fixed, at your home or ours!

## Your Home

For repair – **in your home** – of **all** major brand appliances, lawn and garden equipment, or heating and cooling systems, **no matter who made it, no matter who sold it!**

For the replacement parts, accessories and owner's manuals that you need to do-it-yourself.

For Sears professional installation of home appliances and items like garage door openers and water heaters.

**1-800-4-MY-HOME<sup>®</sup>** (1-800-469-4663)

Call anytime, day or night (U.S.A. and Canada)

[www.sears.com](http://www.sears.com)    [www.sears.ca](http://www.sears.ca)

## Our Home

For repair of carry-in items like vacuums, lawn equipment, and electronics, call or go on-line for the location of your nearest **Sears Parts & Repair Center.**

**1-800-488-1222**

Call anytime, day or night (U.S.A. only)

[www.sears.com](http://www.sears.com)

To purchase a protection agreement (U.S.A.) or maintenance agreement (Canada) on a product serviced by Sears:

**1-800-827-6655** (U.S.A.)

**1-800-361-6665** (Canada)

Para pedir servicio de reparación a domicilio, y para ordenar piezas:

**1-888-SU-HOGAR<sup>SM</sup>**

(1-888-784-6427)

Au Canada pour service en français:

**1-800-LE-FOYER<sup>MC</sup>**

(1-800-533-6937)

[www.sears.ca](http://www.sears.ca)



© Registered Trademark / <sup>TM</sup> Trademark / <sup>SM</sup> Service Mark of Sears, Roebuck and Co.

© Marca Registrada / <sup>TM</sup> Marca de Fábrica / <sup>SM</sup> Marca de Servicio de Sears, Roebuck and Co.

<sup>MC</sup> Marque de commerce / <sup>MD</sup> Marque déposée de Sears, Roebuck and Co.

© Sears, Roebuck and Co.



## Free Manuals Download Website

<http://myh66.com>

<http://usermanuals.us>

<http://www.somanuals.com>

<http://www.4manuals.cc>

<http://www.manual-lib.com>

<http://www.404manual.com>

<http://www.luxmanual.com>

<http://aubethermostatmanual.com>

Golf course search by state

<http://golfingnear.com>

Email search by domain

<http://emailbydomain.com>

Auto manuals search

<http://auto.somanuals.com>

TV manuals search

<http://tv.somanuals.com>