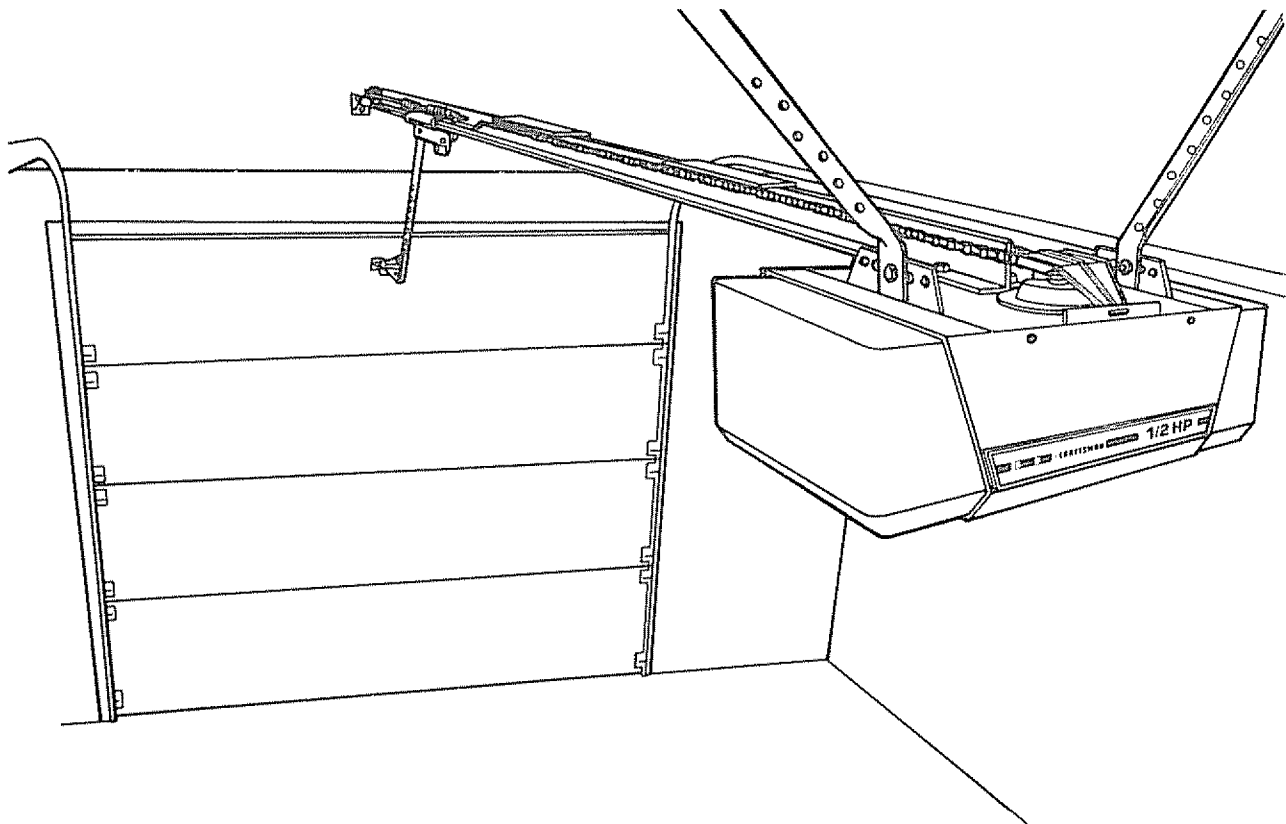


## Owners Manual



# Garage Door Opener Model 139.535006

**CAUTION: READ INSTRUCTIONS AND RULES  
FOR SAFE OPERATION CAREFULLY.**

**FASTEN THIS MANUAL NEAR THE GARAGE  
DOOR AFTER INSTALLATION. PERIODIC  
CHECKS OF OPENER ARE REQUIRED  
TO INSURE SATISFACTORY OPERATION.**

## INDEX

	Page
Features of Your Opener.....	2
Specifications .....	2
You'll Need Tools .....	2
Safety Rules .....	3
Carton Check List.....	4
Accessories.....	5
Identify Your Door Type.....	5
Assembly .....	6
Installation.....	10
Adjustment .....	18
Operation of Your Opener .....	21
Radio Controls.....	22
Having a Problem?.....	24
Transmitter Schematic .....	24
Wiring Diagram .....	25
Receiver Schematic .....	25
Repair Parts, Rail Assembly .....	26
Repair Parts, Installation .....	26
Repair Parts, Chassis Assembly .....	27
How to Order Repair Parts .....	28
Maintenance Agreements .....	28
Sears Warranty.....	28

## FEATURES OF YOUR OPENER

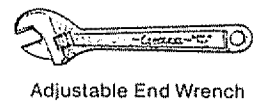
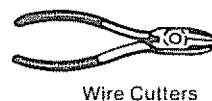
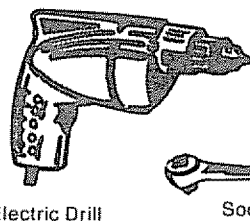
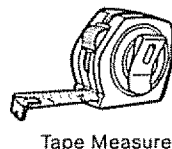
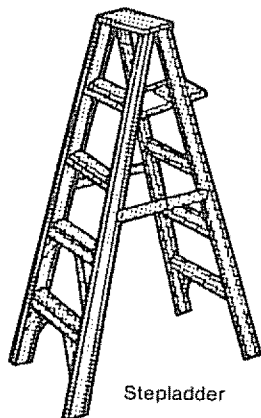
- Opener Lights:** Turn on and off automatically, with 4-1/2 minute illumination for your safety and convenience. Provide constant light when Work Light control button is pressed.
- Safety System:** Independent up and down force adjustment. Door reverses automatically when obstructed in DOWN direction. Door STOPS when obstructed in UP direction.
- Emergency Disconnect:** Pull cord disconnect permits manual door operation.
- Automatic Reconnect:** Trolley halves reconnect for automatic operation when opener is energized after emergency disconnect.
- Motor Power:** 1/2 horsepower permanently lubricated motor with automatic reset
- Digital Radio Controls:** 19,683 codes from which to choose. Can be changed easily by the owner.
- Easy Limit Adjustment:** Limits of door opening and closing adjusted by turning screws without removing chassis cover.
- Vacation Push Button:** When the Vacation Push Button is ON, the opener will not operate from the transmitter. The door will operate in the UP direction ONLY from the Wall Control (or optional Key Switch accessory, Page 5).

## SPECIFICATIONS

MOTOR		SAFETY	
Type	1/2 horsepower, permanent split capacitor	Personal	Push button & automatic reversal in down direction. Push button & automatic stop in up direction
Speed	1500 rpm	Electronic	Independent up & down force adjustment screws
Volts	120 Volts AC - 60 Hz Only	Electrical	Motor overload protector and low voltage push button wiring
Current	4.5 amperes	Limit device	Circuit actuated by limit nut
DRIVE MECHANISM		Limit adjustment	Screwdriver adjustment on side panel
Gear reduction	16:1	Start circuit	Low voltage push button or radio control
Drive	Chain & cable with two-piece trolley on steel Tee rail		
Lubrication	Motor is self-lubricated. Drive shaft bronze oil-lite bearings		
Length of Travel	Adjustable to 7-1/2 feet	DIMENSIONS	
Travel rate	6 to 8 inches per second	Length (overall)	122-1/2 inches
Lamp	On when door starts in travel, off 4-1/2 minutes after stop. Also separate Work Light push button	Headroom required	2 inches
Door linkage	Adjustable door arm Pull cord trolley release	Shipping Weight	43 pounds

## YOU'LL NEED TOOLS

During assembly and installation of your opener, the instruction will call for use of various hand tools. Have a stepladder handy, and those tools illustrated below: Hammer, electric drill (also 3/16" and 5/16" drill bits), screwdriver, adjustable end wrench or socket wrench kit, wire cutters, tape measure, pliers and hack saw.



# Start By Reading These Important Safety Rules



**THIS SAFETY ALERT SYMBOL MEANS CAUTION — PERSONAL SAFETY OR PROPERTY DAMAGE INSTRUCTION. READ THESE INSTRUCTIONS CAREFULLY.**

**THIS GARAGE DOOR OPENER IS DESIGNED AND TESTED TO OFFER REASONABLY SAFE SERVICE PROVIDED IT IS INSTALLED AND OPERATED IN STRICT ACCORDANCE WITH THE FOLLOWING SAFETY INSTRUCTIONS.**

**FAILURE TO COMPLY WITH THE FOLLOWING INSTRUCTIONS MAY RESULT IN SERIOUS PERSONAL INJURY OR PROPERTY DAMAGE.**



**KEEP GARAGE DOOR BALANCED. STICKING OR BINDING DOORS MUST BE REPAIRED. GARAGE DOORS, DOOR SPRINGS, CABLES, PULLEYS, BRACKETS AND THEIR HARDWARE MAY BE UNDER EXTREME TENSION AND CAN CAUSE SERIOUS PERSONAL INJURY. DO NOT ATTEMPT ADJUSTMENTS. CALL A GARAGE DOOR SERVICEMAN TO MOVE, LOOSEN OR ADJUST DOOR SPRINGS OR HARDWARE.**



**DO NOT USE FORCE ADJUSTMENTS TO COMPENSATE FOR A BINDING OR STICKING GARAGE DOOR. EXCESSIVE FORCE WILL INTERFERE WITH THE PROPER OPERATION OF THE SAFETY REVERSE SYSTEM OR DAMAGE THE GARAGE DOOR. (SEE PAGE 19).**



**DO NOT WEAR RINGS, WATCHES OR LOOSE CLOTHING WHILE INSTALLING OR SERVICING A GARAGE DOOR OPENER.**



**FASTEN THE CAUTION LABEL ON THE WALL NEAR THE WALL CONTROL AS A REMINDER OF SAFE OPERATING PROCEDURES.**



**TO AVOID SERIOUS PERSONAL INJURY FROM ENTANGLEMENT, REMOVE ALL ROPES CONNECTED TO THE GARAGE DOOR BEFORE INSTALLING THE GARAGE DOOR OPENER.**



**INSTALL THE WALL CONTROL (OR ADDITIONAL PUSH BUTTONS) OUT OF THE REACH OF CHILDREN. DO NOT ALLOW CHILDREN TO OPERATE WALL CONTROL OR TRANSMITTER. SERIOUS PERSONAL INJURY FROM A CLOSING GARAGE DOOR MAY RESULT FROM ANY MISUSE OF THE OPENER.**



**DISENGAGE ALL EXISTING GARAGE DOOR LOCKS TO AVOID DAMAGE TO GARAGE DOOR.**



**INSTALLATION AND WIRING MUST BE IN COMPLIANCE WITH LOCAL BUILDING AND ELECTRICAL CODES.**



**CAUTION: ACTIVATE OPENER ONLY WHEN THE DOOR IS IN FULL VIEW, FREE OF OBSTRUCTION AND OPENER IS PROPERLY ADJUSTED. NO ONE SHOULD ENTER OR LEAVE THE GARAGE WHILE DOOR IS IN MOTION. DO NOT ALLOW CHILDREN TO PLAY NEAR DOOR.**



**LIGHTWEIGHT DOORS REQUIRE SUBSTANTIAL REINFORCEMENT TO AVOID DOOR DAMAGE. (SEE PAGE 10).**



**THE SAFETY REVERSE SYSTEM TEST IS IMPORTANT (SEE PAGE 20). THE GARAGE DOOR *MUST* REVERSE ON CONTACT WITH A ONE-INCH OBSTACLE PLACED ON THE FLOOR. FAILURE TO PROPERLY ADJUST THE OPENER MAY RESULT IN SERIOUS PERSONAL INJURY FROM A CLOSING GARAGE DOOR. REPEAT THE TEST AT LEAST ONCE A YEAR AND MAKE ANY NEEDED ADJUSTMENTS.**



**USE EMERGENCY RELEASE ONLY TO DISENGAGE TROLLEY. DO NOT USE RED EMERGENCY RELEASE ROPE AND HANDLE TO PULL DOOR OPEN OR CLOSED.**



**DISCONNECT ELECTRIC POWER TO GARAGE DOOR OPENER BEFORE MAKING REPAIRS OR REMOVING COVERS.**

## CARTON CHECK LIST

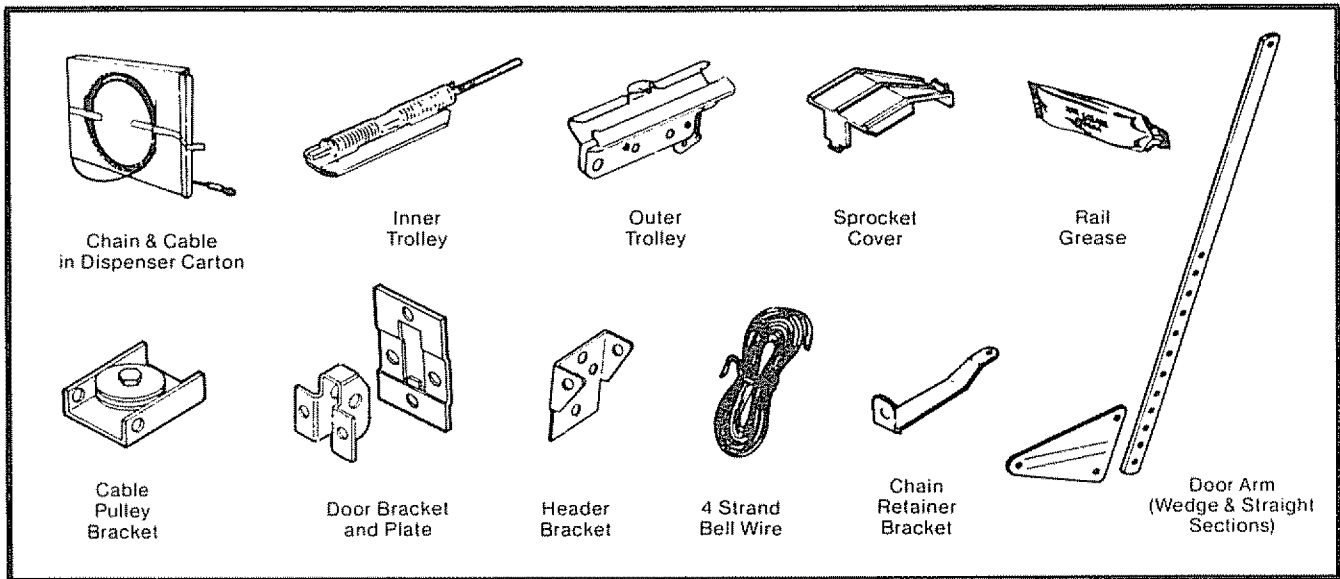
SEARS has packaged your Garage Door Opener in two cartons **THE RAIL ASSEMBLY CARTON CONTAINS:** a three-piece rail, two hanging straps, straight door arm section\* and rail assembly hardware.

### THE OPENER CARTON CONTAINS:

Opener Chassis  
 Plastic Light Lenses (2)  
 Transmitter and Clip (1)  
 Chain & Cable (in dispenser carton)\*  
 2-Piece Trolley\*  
 \*ILLUSTRATED BELOW

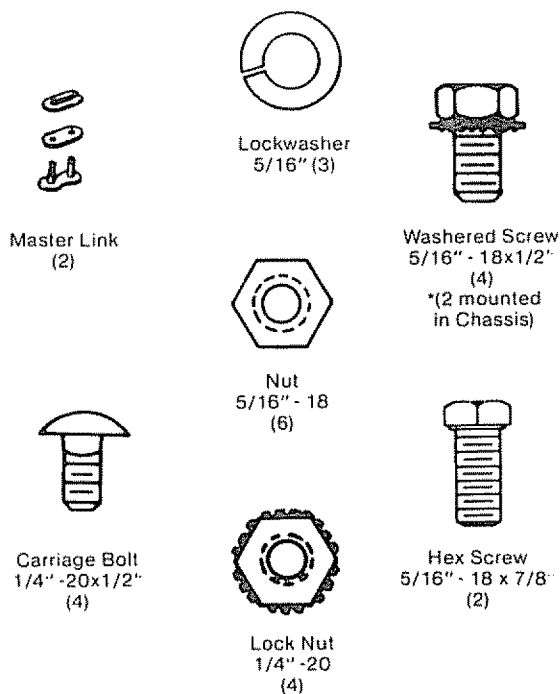
Wall Control  
 Sprocket Cover\*  
 Cable Pully Bracket\*  
 Door Bracket & Plate\*  
 Wedge Door Arm Section\*

Header Bracket\*  
 4-Strand Bell Wire\*  
 Owners Manual  
 Hardware Bag  
 (Includes Caution Label)

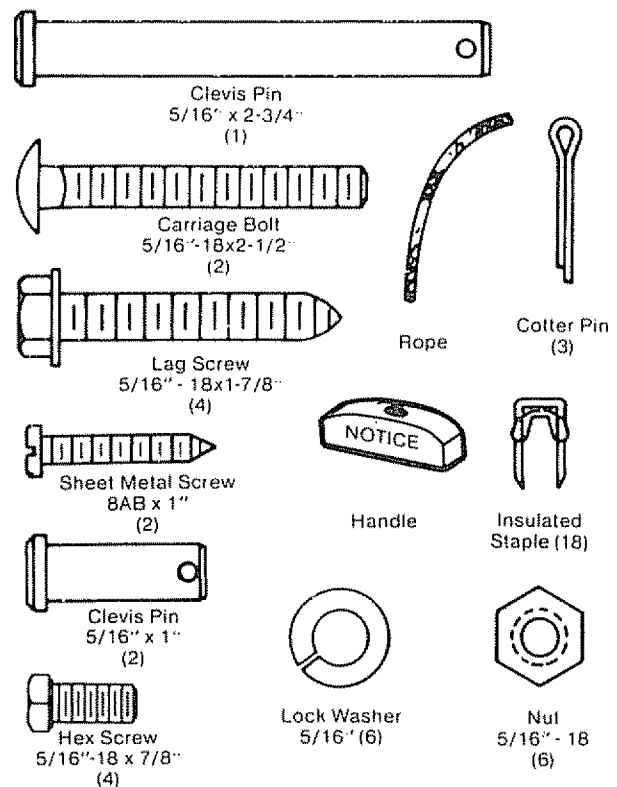


SEPARATE ALL HARDWARE FOR ASSEMBLY AND INSTALLATION PROCEDURES AS SHOWN BELOW.

### ASSEMBLY HARDWARE


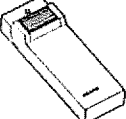
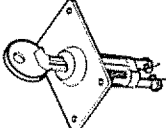
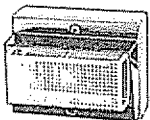
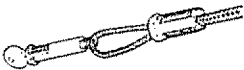
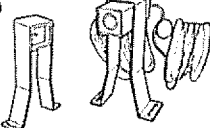
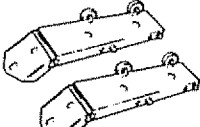


### INSTALLATION HARDWARE



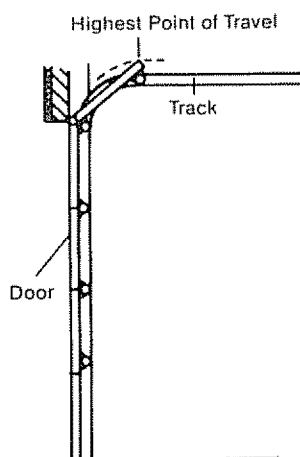
# Accessories

Sears offers many useful accessories for your garage door opener. They are illustrated below with Sears stock numbers and descriptions.

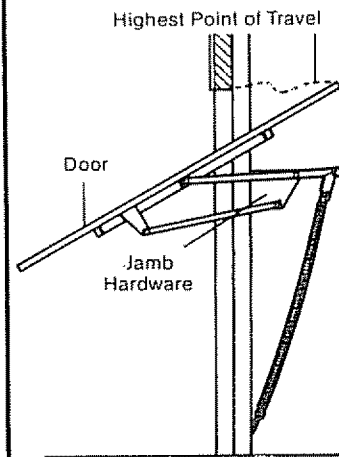
<p>53708</p> 	<p><b>EXTRA TRANSMITTER:</b> Includes visor clip.</p>
<p>53716</p> 	<p><b>TOUCH CODE LOCK:</b> Enables homeowner to open the garage door opener from the outside by entering code on specially designed keypad.</p>
<p>53703</p> 	<p><b>OUTDOOR KEY SWITCH:</b> Opens the garage door automatically from outside when transmitter is not handy.</p>
<p>53717</p> 	<p><b>OPEN DOOR INDICATOR:</b> Provides an illuminated signal when your garage door is open.</p>
<p>53702</p> 	<p><b>QUICK RELEASE KEY LOCK:</b> Allows manual operation of your garage door from the outside in case of power failure or where there is no service entrance. For wood or metal doors only.</p>
<p>53710</p> 	<p><b>INFRARED REVERSING SENSOR:</b> An optional system which provides auxiliary support to the safety features built into your opener. Sensors detect any obstruction to your door while in the down cycle and transmit a signal to the opener. The opener will cause a closing door to reverse and prevent an open door from closing.</p>
<p>53709</p> 	<p style="text-align: center;"><b>FOR SECTIONAL DOORS ONLY</b></p> <p><b>QUICK TURN BRACKETS:</b> Replace top brackets and rollers on door to reduce height of door travel. For use when installing opener in garage with low head-room clearance.</p>

## IDENTIFY YOUR DOOR TYPE FROM THESE ILLUSTRATIONS

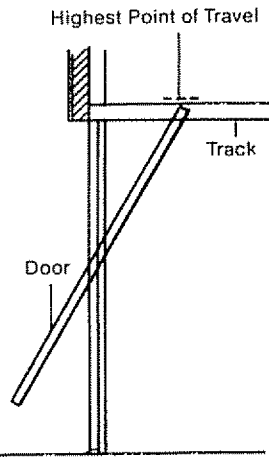
**SECTIONAL DOOR  
CURVED TRACK**



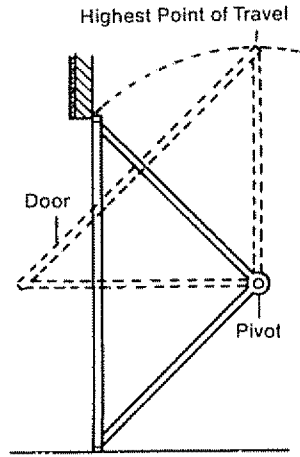
**ONE PIECE DOOR  
NO TRACK  
JAMB HARDWARE**



**ONE PIECE DOOR  
HORIZONTAL TRACK  
JAMB HARDWARE**



**ONE PIECE DOOR  
NO TRACK  
PIVOT HARDWARE**



CERTAIN INSTALLATION PROCEDURES VARY ACCORDING TO GARAGE DOOR TYPES. WHERE DIFFERENCES OCCUR, BE SURE TO FOLLOW ONLY THOSE INSTRUCTIONS WHICH APPLY TO YOUR DOOR CONSTRUCTION.

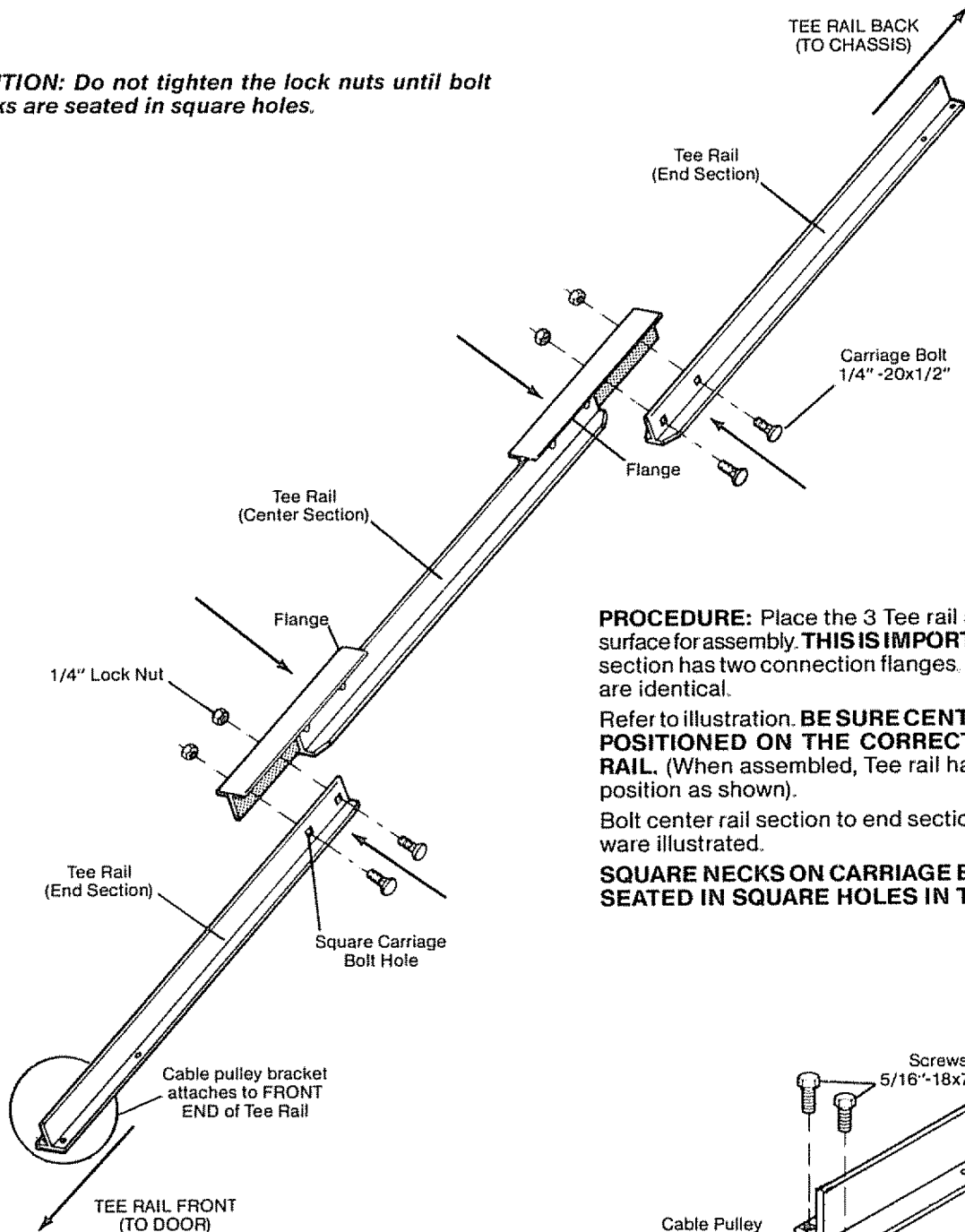
# Assembly

TO AVOID INSTALLATION DIFFICULTIES, DO NOT RUN THE GARAGE DOOR OPENER UNTIL YOU HAVE COMPLETED STEP 8, PAGE 15.

## STEP 1

### Assemble Tee Rail & Attach Cable Pulley Bracket

**CAUTION:** Do not tighten the lock nuts until bolt necks are seated in square holes.



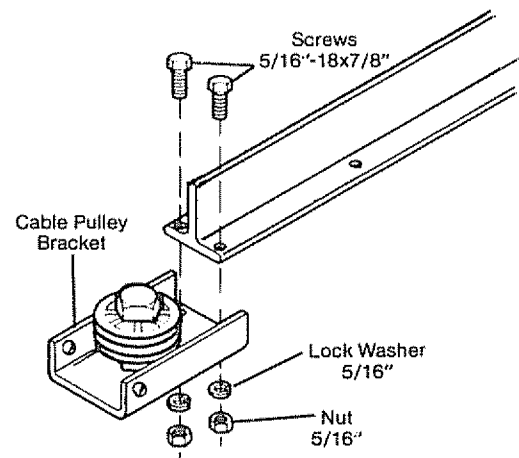
**PROCEDURE:** Place the 3 Tee rail sections on a flat surface for assembly. **THIS IS IMPORTANT.** The center section has two connection flanges. The end sections are identical.

Refer to illustration. **BE SURE CENTER SECTION IS POSITIONED ON THE CORRECT SIDE OF TEE RAIL.** (When assembled, Tee rail has a front-to-back position as shown).

Bolt center rail section to end sections with the hardware illustrated.

**SQUARE NECKS ON CARRIAGE BOLTS MUST BE SEATED IN SQUARE HOLES IN TEE RAILS.**

Align front end of tee rail with cable pulley bracket and connect as shown. Tighten screws and nuts securely.



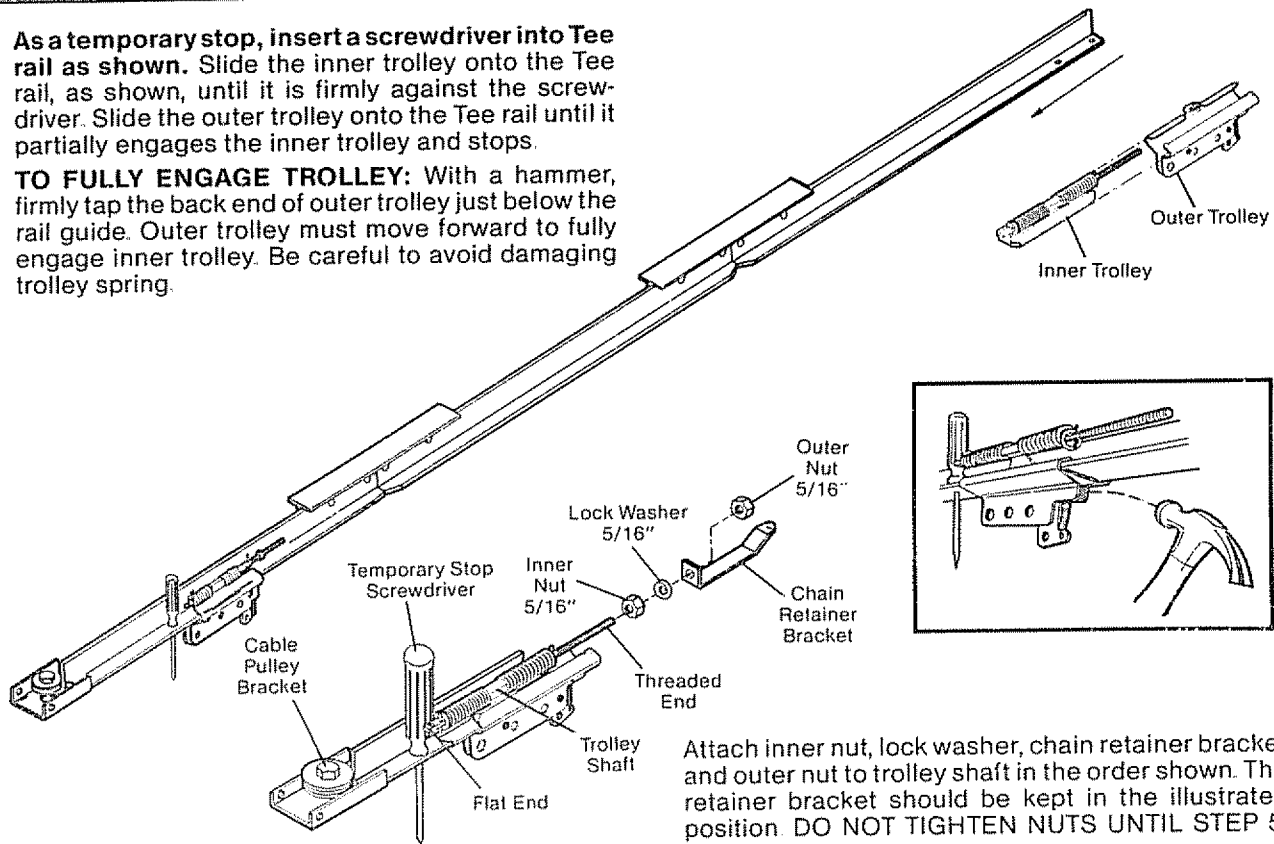
# Assembly

## STEP 2

### Connect Trolley & Attach Chain Retainer Bracket

As a temporary stop, insert a screwdriver into Tee rail as shown. Slide the inner trolley onto the Tee rail, as shown, until it is firmly against the screwdriver. Slide the outer trolley onto the Tee rail until it partially engages the inner trolley and stops.

**TO FULLY ENGAGE TROLLEY:** With a hammer, firmly tap the back end of outer trolley just below the rail guide. Outer trolley must move forward to fully engage inner trolley. Be careful to avoid damaging trolley spring.



Attach inner nut, lock washer, chain retainer bracket and outer nut to trolley shaft in the order shown. The retainer bracket should be kept in the illustrated position **DO NOT TIGHTEN NUTS UNTIL STEP 5, PAGE 9**

## STEP 3

### Attach Tee Rail to Opener Chassis

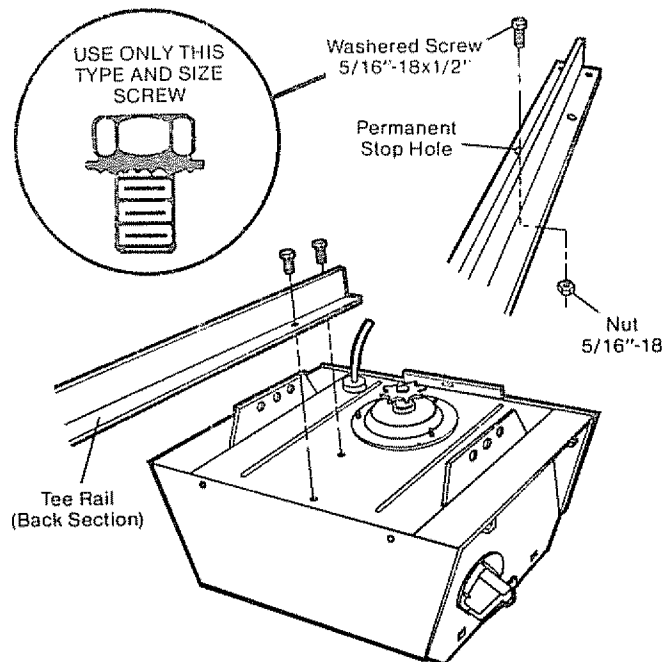


**USE ONLY THOSE SCREWS MOUNTED IN TOP OF OPENER CHASSIS. FAILURE TO DO SO WILL CAUSE SERIOUS DAMAGE TO THE DOOR OPENER.**

**PROCEDURE:** Place opener chassis on packing material to protect cover. For convenience, place a support under the cable pulley bracket.

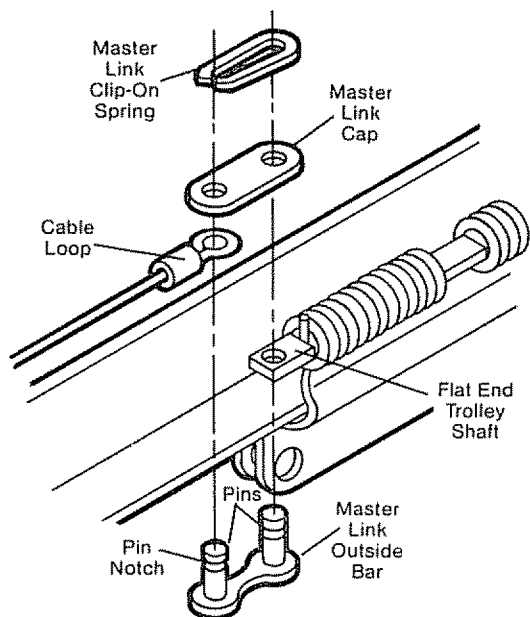
Remove 5/16"-18x1/2" washered screws mounted in top of opener chassis. Align holes in back end of Tee rail with holes in opener chassis. **Fasten the rail to the chassis with washered screws previously removed. CAUTION: USE ONLY THESE SCREWS!** Use of any other screws will cause serious damage to door opener. Tighten screws securely.

Insert a 5/16"-18x1/2" washered screw into the permanent stop hole in the Tee rail back section as shown. Tighten securely with a 5/16" nut.



# Assembly

## STEP 4 Install Chain and Cable



**DO NOT REMOVE CHAIN AND CABLE FROM DISPENSER CARTON.**

Detach cable from side of carton and fasten to trolley with a master link from coin envelope.

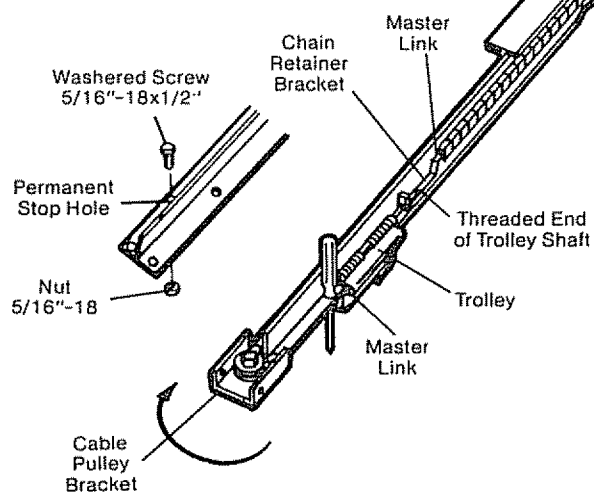
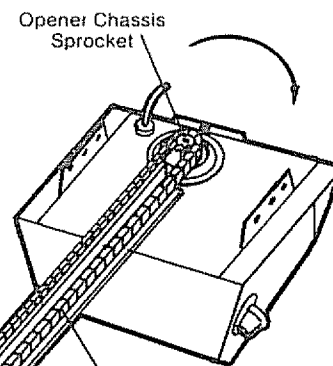
**MASTER LINK PROCEDURE:** Push pins of master link bar through loop of cable and hole in flat end of trolley shaft. Push cap onto pins and into notches. Slide clip-on spring over cap and into pin notches until both pins are locked in place.

**CAUTION:** Keep chain taut while dispensing from carton to help prevent kinking.

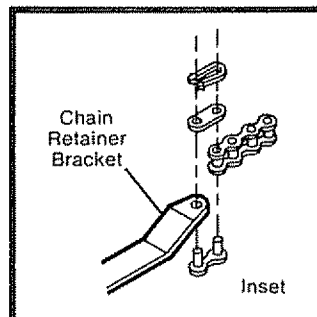
Slide trolley tight against screwdriver stop. Dispense cable around pulley bracket. Proceed back around the opener sprocket and forward to chain retainer bracket. Be sure teeth on chassis sprocket engage chain.

Connect chain to chain retainer bracket, as shown in inset, using second master link from coin envelope.

**NOTE:** Check to make sure chain is not twisted.



As a permanent trolley stop, insert 5/16" washered screw into remaining hole in Tee rail front. Tighten securely with 5/16" nut. **REMOVE TEMPORARY STOP INSERTED IN STEP 2.**



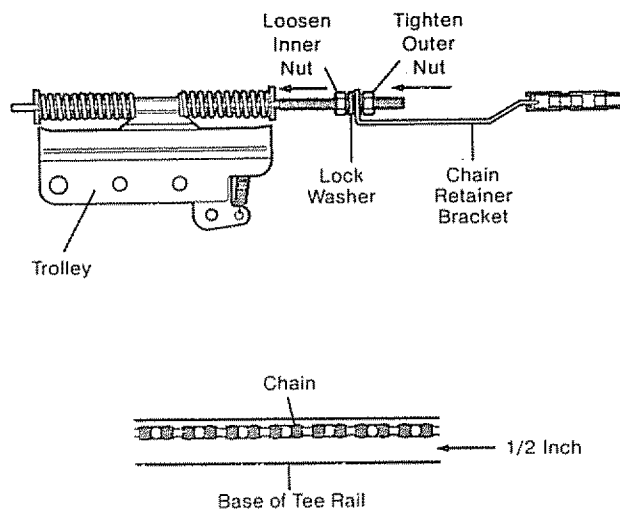


# Assembly

## STEP 5

### Tighten the Chain and Cable

**CAUTION:** Keep chain from twisting as nuts are turned.



**PROCEDURE:** Connect chain and cable to threaded shaft of trolley in the order illustrated: inner nut, lock-washer, chain retainer bracket and outer nut.

Tighten the chain and cable by threading outer nut toward trolley.

Chain is properly tightened when it is approximately 1/2" above the base of Tee rail midway between cable pulley bracket and chassis.

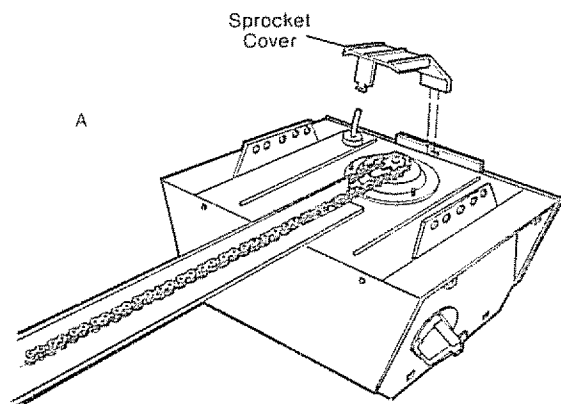
When chain tension is correct, turn inner nut toward chain retainer bracket until tight.

**Sprocket noise can result if chain is either too loose or too tight.**

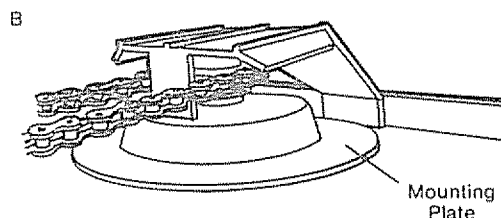
**CAUTION:** Do not overtighten chain and cable. Refer to Page 21.

## STEP 6

### Attach Sprocket Cover to Opener Chassis



**PROCEDURE:** Attach sprocket cover to chassis as shown in Illustrations (A) and (B). Insert back tab in chassis slot. Then bend cover forward and insert front tab in slot provided on mounting plate.



ASSEMBLY OF YOUR GARAGE DOOR OPENER IS NOW COMPLETE.

CERTAIN INSTALLATION PROCEDURES VARY ACCORDING TO GARAGE DOOR TYPES. WHERE DIFFERENCES OCCUR, BE SURE TO FOLLOW ONLY THOSE INSTRUCTIONS WHICH APPLY TO YOUR DOOR CONSTRUCTION.



DO NOT WEAR WATCHES, RINGS OR LOOSE CLOTHING WHILE INSTALLING OR SERVICING A DOOR OPENER.



KEEP GARAGE DOOR BALANCED. STICKING OR BINDING DOORS MUST BE REPAIRED. GARAGE DOORS, DOOR SPRINGS, CABLES, PULLEYS, BRACKETS AND THEIR HARDWARE MAY BE UNDER EXTREME TENSION AND CAN CAUSE SERIOUS PERSONAL INJURY. DO NOT ATTEMPT ADJUSTMENTS. CALL A GARAGE DOOR SERVICEMAN TO MOVE, LOOSEN OR ADJUST DOOR SPRINGS OR HARDWARE.

# Installation

Completed installations of header bracket, door bracket with plate and door arm (depending on door type) are shown below. The header bracket supports the front end of the Tee rail. The door bracket connects door arm to trolley.

IT IS RECOMMENDED THAT THE OPENER BE INSTALLED 7 FEET OR MORE ABOVE THE FLOOR WHERE SPACE PERMITS. **Follow only those instructions which apply to your door type as shown on Page 5.**

## STEP 1 *Install Door Bracket and Plate*

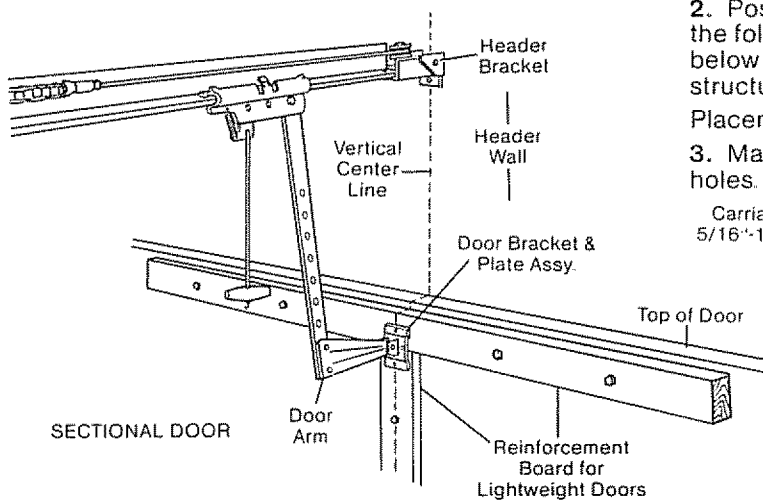


**TO PREVENT DAMAGE TO LIGHTWEIGHT GARAGE DOORS, ALWAYS REINFORCE THE INSIDE OF DOOR— BOTH VERTICALLY AND HORIZONTALLY—WITH 2x4 BOARDS OR ANGLE IRON.**

Horizontal brace should be at least 6 feet long. Vertical brace should cover height of top panel. Reinforcement hardware is not supplied. (See No. 1 Below.) **FASTEN SECURELY AS SHOWN BEFORE INSTALLING DOOR BRACKET AND PLATE.**

### Sectional Door Installation Procedure

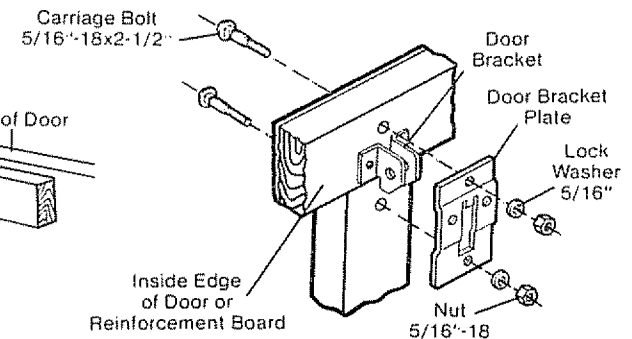
With door closed, locate and mark the vertical centerline of garage door. Extend line onto header wall above door.



1. Assemble door bracket and plate as shown. Center bracket on vertical guideline (or up to one foot left or right of center if necessary).

2. Position bracket assembly on face of door within the following limits: **A.** Top edge of bracket 2" to 4" below the top edge of door. **B.** Directly below any structural support across top of door. Placement depends on your particular needs.

3. Mark and drill 5/16" TOP and BOTTOM fastening holes. Secure bracket as shown.

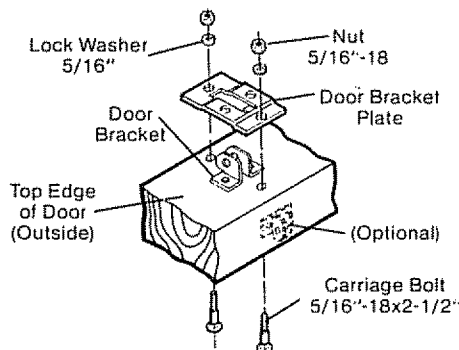


### All One-Piece Door Installation Procedure

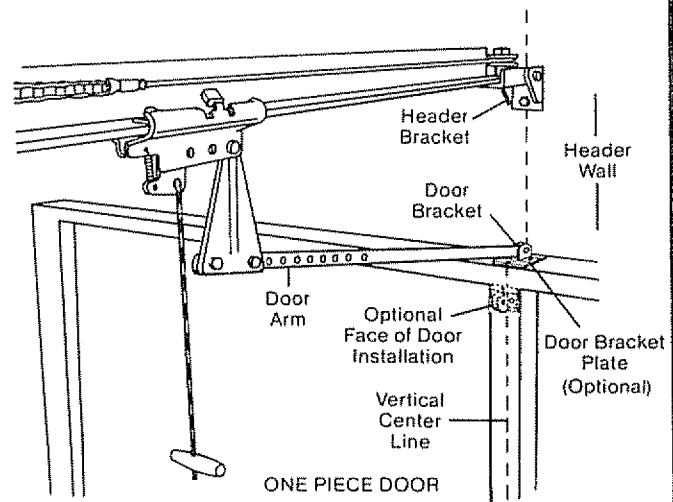
With door closed, locate and mark vertical centerline of door. Extend line onto header wall above door.

**NOTE:** The door bracket has left and right side fastening holes. Assemble door bracket and plate if your installation requires top and bottom fastening holes. (Refer to illustration).

Center bracket (with or without plate as required) on top edge of door as shown. Mark and drill two 5/16" fastening holes and secure door bracket. **NOTE:** If door has no exposed framing, drill 3/16" pilot holes and substitute 5/16" x 1-1/2" lag screws (not supplied) to fasten bracket to top of door.



**NOTE:** Door bracket may be installed on face of door if required for your installation. (Refer to dotted line drawing). **HOWEVER,** drill 3/16" pilot holes and substitute 5/16" x 1-1/2" lag screws (not supplied) to fasten bracket to door.



# Installation

## STEP 2

### Position & Install Header Bracket



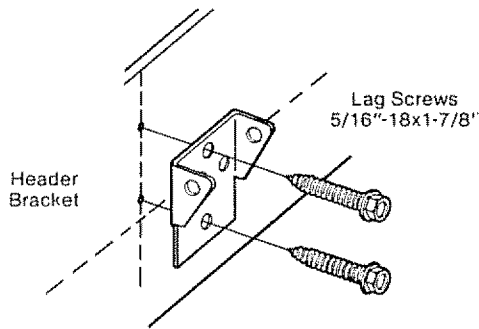
**THE HEADER BRACKET MUST BE RIGIDLY FASTENED TO THE HEADER WALL OR CEILING. REINFORCE WALL OR CEILING WITH 2x4 IF NECESSARY.**

Locate height for header bracket by opening door to highest point of travel as shown. Draw a horizontal line on header wall 2" above high point. This height provides travel clearance for top edge of door.

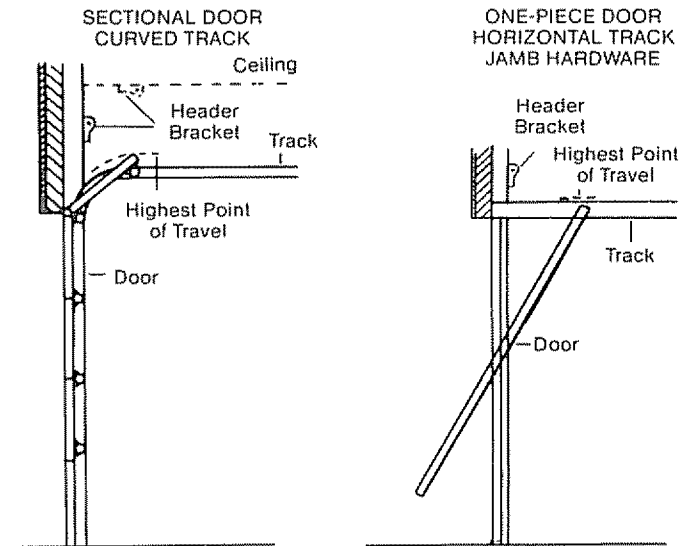
When headroom is not sufficient for 2" clearance, bottom edge of bracket may be placed parallel to the high point of travel, or bracket may be attached to ceiling

Optional Quick Turn Brackets are designed for low headroom installations. They replace top brackets and rollers on the garage door, thereby lowering the high point of door travel. Installation instructions are contained in the accessory carton.

Position bracket as shown (bottom edge of bracket on horizontal line). Mark either top and bottom or left and right bracket holes. Drill 3/16" pilot holes and fasten bracket



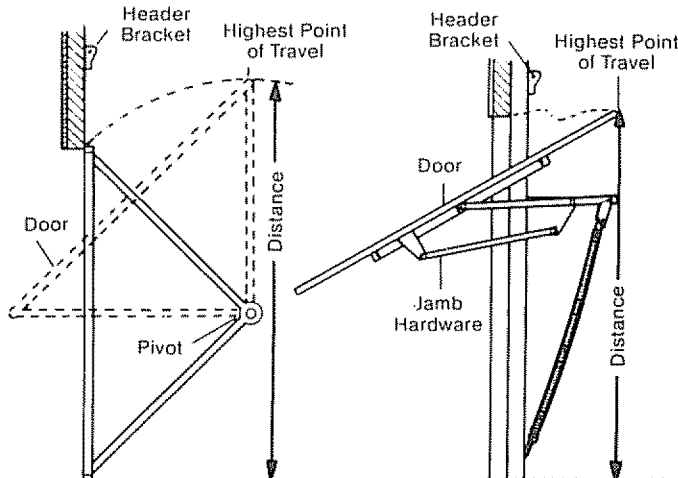
### INSTALLATION SECTIONAL DOOR AND 1-PIECE DOOR WITH TRACK



### INSTALLATION 1-PIECE DOOR WITHOUT TRACK

ONE-PIECE DOOR  
NO TRACK  
PIVOT HARDWARE

ONE-PIECE DOOR  
NO TRACK  
JAMB HARDWARE



Locate height for header bracket by opening door to highest point of travel as shown. Measure distance from top of door to floor. Subtract actual height of door. Add 8" to the remainder. See example below.

If the total number of inches exceeds the height available in your garage, use the maximum height possible. On finished ceilings, do not position the bracket closer than 1/2" from ceiling.

Measuring from top of door, draw a horizontal line on the header wall at the determined height. Position bottom edge of header bracket on horizontal line, centering bracket on vertical line. Mark either top and bottom or left and right holes. Drill 3/16" pilot holes and fasten with 5/16" x 1-7/8" lag screws as shown above

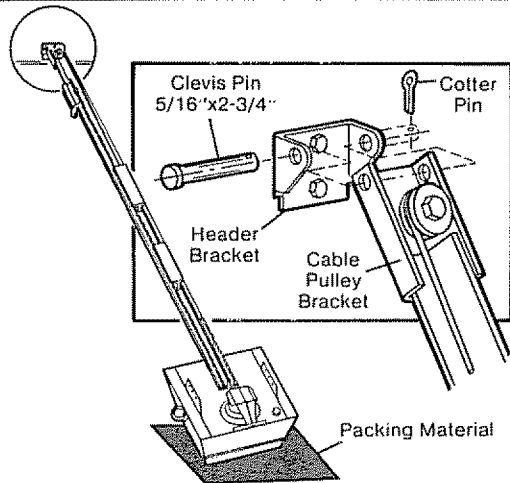
#### EXAMPLE

Distance from top of door (at highest point of travel) to floor	92"
Actual height of door	-88"
Remainder	4"
Add	+ 8"
Bracket height on header wall	=12"

# Installation

## STEP 3

### Attach Tee Rail to Header Bracket



**PROCEDURE:** Position opener chassis on garage floor below door and header brackets. Use packing material base to protect cover. **NOTE:** To enable Tee rail to clear sectional door springs, it may be necessary to lift the chassis onto a temporary support.

**CAUTION:** Chassis must either be secured to support or held firmly in place by another person.

Raise Tee rail until cable pulley and header brackets come together. Align bracket holes and join with clevis pin as shown. Insert and spread cotter pin to secure.

## STEP 4

### Position Opener Chassis

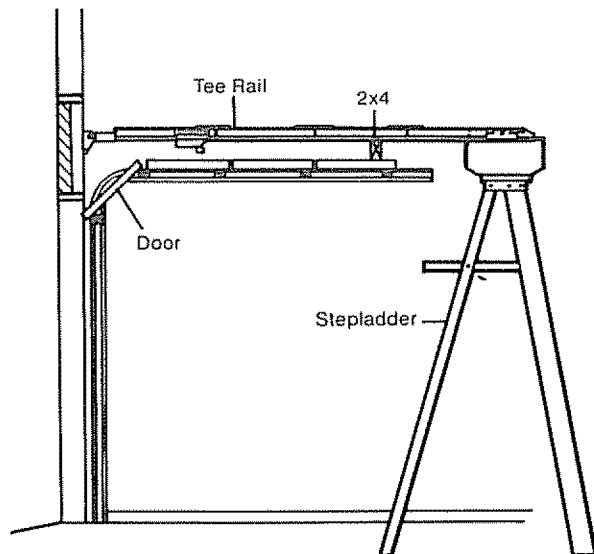


TO PREVENT DAMAGE TO ALL LIGHTWEIGHT DOORS, AND DOORS WITH WINDOWS, DO NOT REST THE OPENER ON THE DOOR.

### SECTIONAL and ONE-PIECE DOOR WITH TRACK INSTALLATION

**NOTE:** A 2x4 is convenient for setting an ideal door-to-Tee rail distance. It is not necessary where headroom is insufficient.

**PROCEDURE:** Raise the opener chassis onto a stepladder. Open the garage door. Place a 2x4 on edge on top section of door directly above door bracket. Rest Tee rail on 2x4.

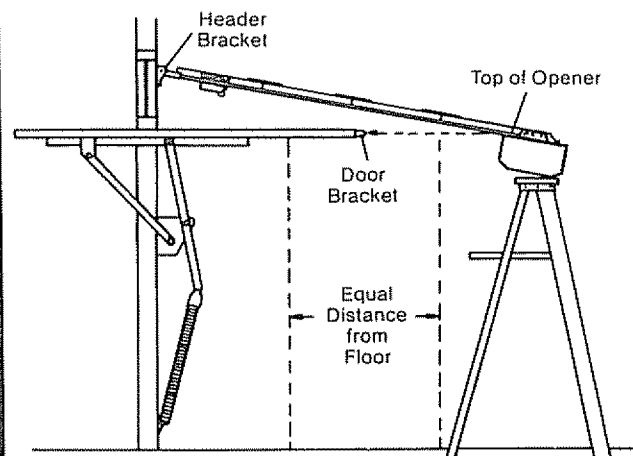


### ONE-PIECE DOOR WITH NO - TRACK INSTALLATION

**PROCEDURE:** Measure the distance from floor to top of door (in fully open position and parallel to floor)

Using a stepladder as a support, raise the opener chassis to the same distance from the floor (chassis will have a slight angle as shown).

The top of the door should be level with the top of the opener. For maximum efficiency, do not position the opener chassis more than 2 inches above this point.



# Installation

## STEP 5 *Hang Opener Chassis*

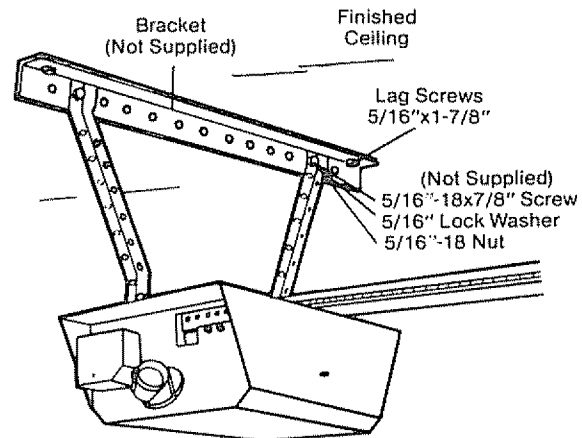
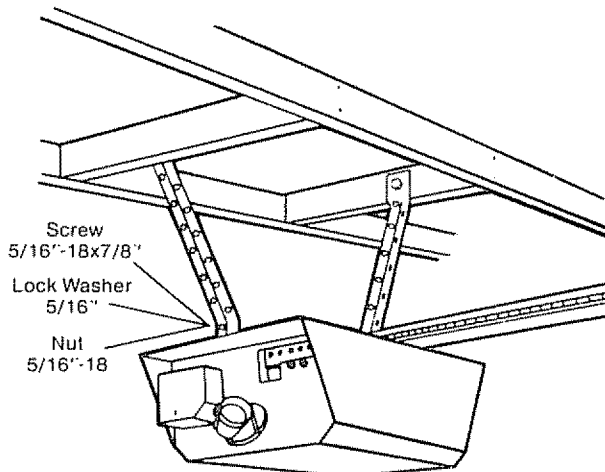
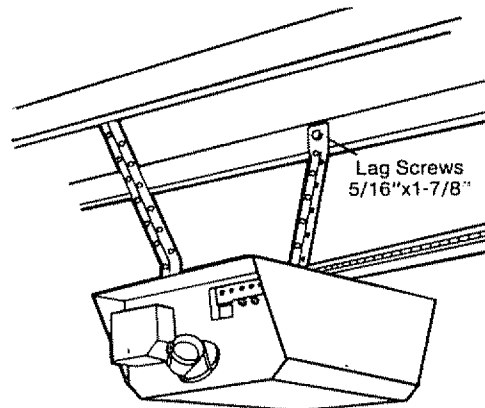
THE OPENER CHASSIS MUST BE ATTACHED TO A STRUCTURAL SUPPORT OF THE GARAGE. Three representative installations are shown. Yours may be different. Hanging brackets should be angled to provide rigid support.

**PROCEDURE:** On EACH side of opener measure the distance from chassis to structural support.

Cut both pieces of the hanging bracket to required lengths. Flatten one end of each bracket and bend or twist to fit fastening angles. **DO NOT BEND AT BRACKET HOLES.** Drill  $\frac{3}{16}$ " pilot holes in structural support. Fasten flattened ends of brackets to support as shown.

Lift opener and fasten to hanging bracket as shown. **Check to make sure Tee rail is centered over door bracket.** Close the garage door. If door hits rail, raise header bracket. **REMOVE 2x4.**

Grease rail surfaces on which trolley slides. A tube of grease is supplied.



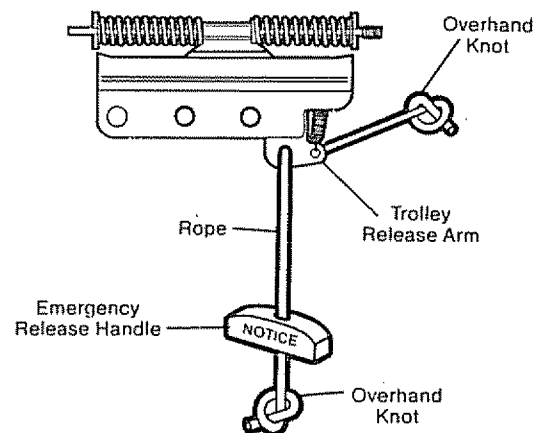
## STEP 6 *Attach Emergency Release Rope & Handle*



USE EMERGENCY RELEASE ONLY TO DIS-ENGAGE TROLLEY. DO NOT USE RED EMERGENCY RELEASE ROPE AND HANDLE TO PULL DOOR OPEN OR CLOSED.

**PROCEDURE:** Thread one end of rope through hole in top of red handle so 'NOTICE' reads right side up as shown. Secure with an overhand knot. **NOTE: Knot should be at least 1 inch from end of rope to prevent slipping.** Thread other end of rope through hole in release arm of outer trolley. Adjust rope length so that handle is 6 feet above the floor. Secure with an overhand knot as above.

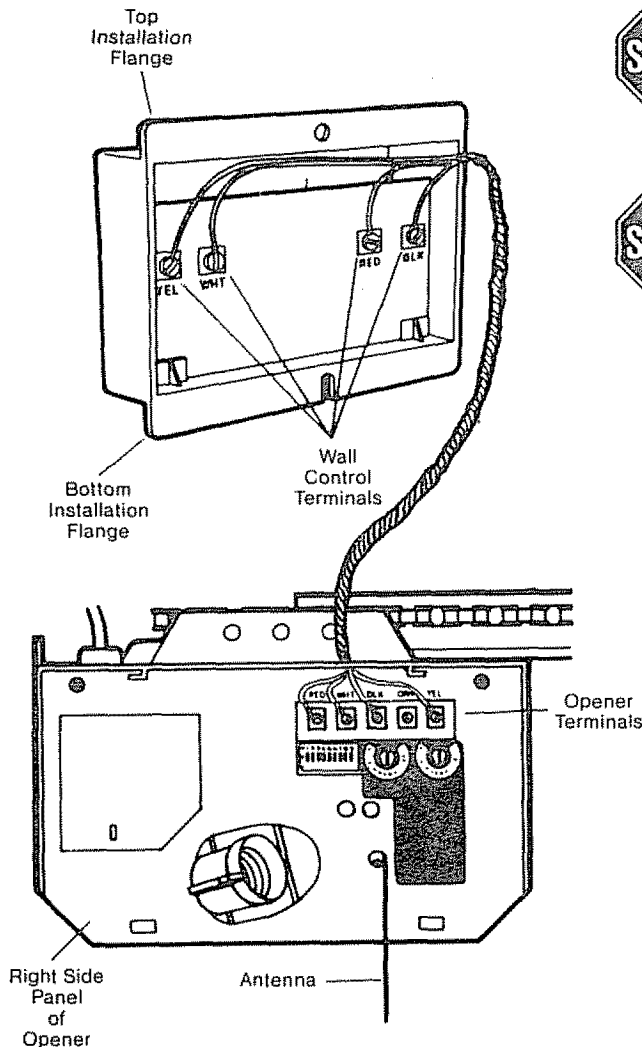
**NOTE:** If it is necessary to cut rope, heat seal cut end with a match or lighter to prevent fraying and/or raveling.



# Installation

## STEP 7

### Install Wall Control



INSTALL WALL CONTROL (OR ADDITIONAL PUSH BUTTONS) OUT OF THE REACH OF CHILDREN. DO NOT ALLOW CHILDREN TO OPERATE WALL CONTROL OR TRANSMITTER. SERIOUS PERSONAL INJURY FROM A CLOSING GARAGE DOOR MAY RESULT FROM ANY MISUSE OF OPENER.



FASTEN THE CAUTION LABEL ON THE WALL NEAR THE WALL CONTROL AS A REMINDER OF SAFE OPERATING PROCEDURES.

**PROCEDURE:** There are 4 screw terminals on the back of the Wall Control. Connect the bell wire by color; yellow to yellow, white to white, red to red and black to black.

Fasten Wall Control to an inside garage wall, as shown, with the 8ABx1" sheet metal screws provided. A convenient place is beside the service door and OUT OF THE REACH OF CHILDREN.

Run the bell wire up the wall and across the ceiling to the garage door opener. Use insulated staples.

The receiver terminals as well as the antenna are located on the right side panel of the opener. Bend antenna wire down until it is parallel to chassis panel. Then connect the wire by color to the red, white, black and yellow opener terminal screws.

#### WIRING INSTRUCTIONS FOR ACCESSORIES

##### Infrared Reversing System:

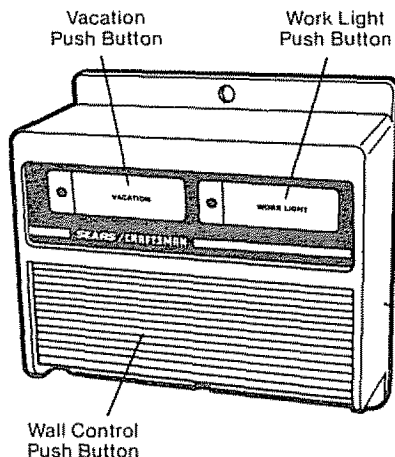
To white & black opener terminals

##### Open Door Indicator:

To white & orange opener terminals

##### Key Switch:

To red & white opener terminals



#### OPERATION OF WALL CONTROL

##### WALL CONTROL PUSH BUTTON

Press and release to open or close door

Press and release again to REVERSE door during CLOSING cycle or to STOP door during OPENING cycle

##### VACATION PUSH BUTTON

Activate Vacation feature only when door is in closed position.

Press and release. Push button light will turn ON. The Vacation feature was designed to prevent operation of door from the transmitter and allow door to travel in the UP direction ONLY from the Wall Control push button (press and release) and Key Switch accessory

Press and release again. Push button light will turn OFF. Opener will return to normal operation.

A power failure of more than 30 seconds will cause the vacation feature to turn OFF.

##### WORK LIGHT PUSH BUTTON

Press and release. Opener light will turn on and remain on

Press and release again. Opener light will return to normal operation.

# Installation

## STEP 8 *Connect Electric Power*



TO AVOID SERIOUS PERSONAL INJURY FROM ENTANGLEMENT, REMOVE ALL ROPES CONNECTED TO THE GARAGE DOOR BEFORE OPERATING DOOR OPENER.

REMOVE EXISTING GARAGE DOOR LOCKS OR USE A WOOD SCREW OR NAIL TO MAKE THEM INOPERATIVE. INSTALLATION AND WIRING MUST BE IN COMPLIANCE WITH LOCAL BUILDING AND ELECTRICAL CODES. OPERATION AT OTHER THAN 120V 60Hz WILL CAUSE OPENER MALFUNCTION AND DAMAGE.

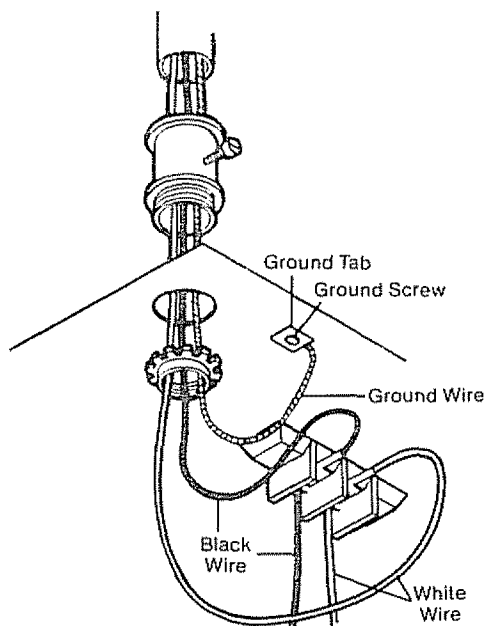
IF LOCAL ELECTRICAL CODES DO NOT REQUIRE PERMANENT WIRING: Insert the 3-prong plug into a 3-hole receptacle. UNIT MUST BE GROUNDED. DO NOT USE A 2-WIRE ADAPTER.

IF LOCAL CODES REQUIRE PERMANENT WIRING: Refer to illustration.

**PROCEDURE:** Make connection through 7/8 inch diameter hole in top of opener chassis.

1. Remove opener chassis cover by removing the 4 cover screws.
2. Remove attached 3-prong cord.
3. Connect black (line) wire to black wire on terminal block; white (neutral) wire to white terminal wire; green (ground) wire to green ground screw.

**CAUTION: BE SURE UNIT IS GROUNDED ACCORDING TO LOCAL CODE**



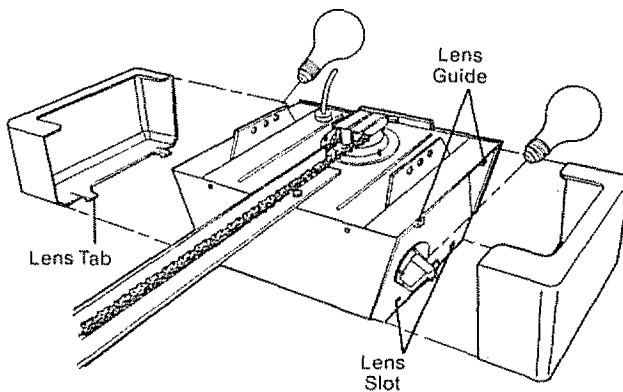
## STEP 9 *Install Lights and Lenses*

**PROCEDURE:** Install a 75 watt maximum light bulb in each socket as shown. The lights turn on automatically when opener starts. After 4-1/2 minutes they will turn off. Lights will REMAIN ON when Work Light push button on Wall Control is pressed.

**IMPORTANT NOTE:** If the lights in your garage door opener do not work, it may NOT be the fault of the opener. Some short-neck bulbs, because of their shape, do not make contact with the socket base tab. Use standard-neck bulbs.

**INSTALLING LENSES:** Slide lenses into the lens guides as shown. Snap bottom tabs into lens slots. (The force and limit adjustment settings are located on side panels behind lenses).

**NOTE: FOR CONVENIENCE, LENSES MAY BE INSTALLED AFTER ADJUSTMENT, STEP 3, PAGE 20.**



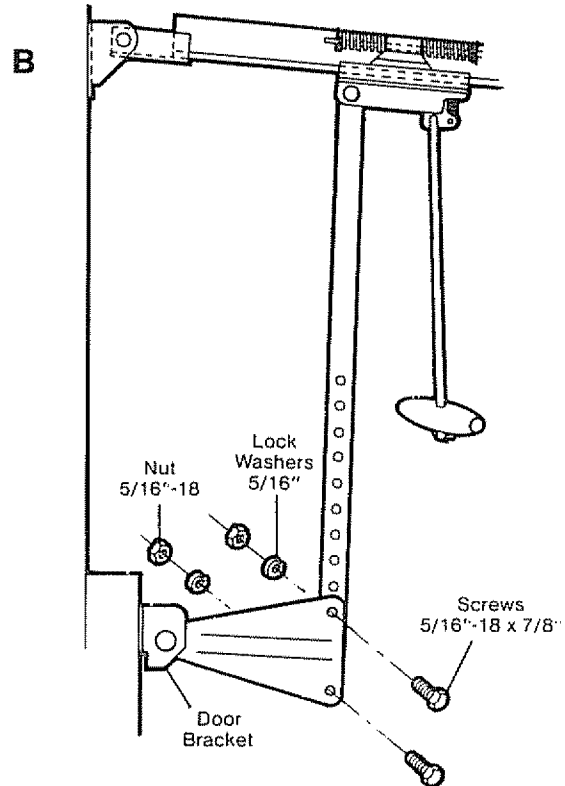
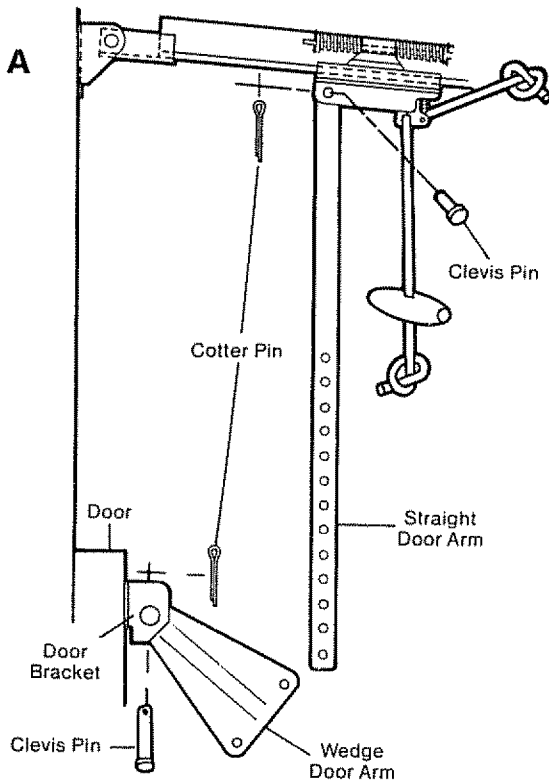
# Installation

## STEP 10

### Connect Door Arm to Trolley

#### SECTIONAL DOOR INSTALLATION ONLY

**PROCEDURE:** Fasten straight door arm section to trolley and wedge door arm section to door bracket, as shown (A). Insert and spread a cotter pin to secure each connection.

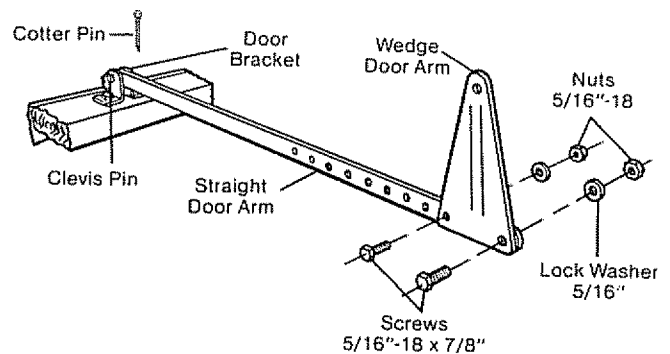


Bring the door arm sections together. Find a pair of holes that line up and join sections as shown (B).

INSTALLATION FOR SECTIONAL DOOR IS COMPLETE. PROCEED TO ADJUSTMENT STEP 1, PAGE 18.

#### ALL ONE-PIECE DOOR INSTALLATIONS

**ASSEMBLE DOOR ARM PROCEDURE:** Fasten straight and wedge door arm sections together to their longest possible length. With door closed, connect straight door arm section to door bracket as shown. Insert and spread cotter pin to secure.





# Installation

## STEP 11

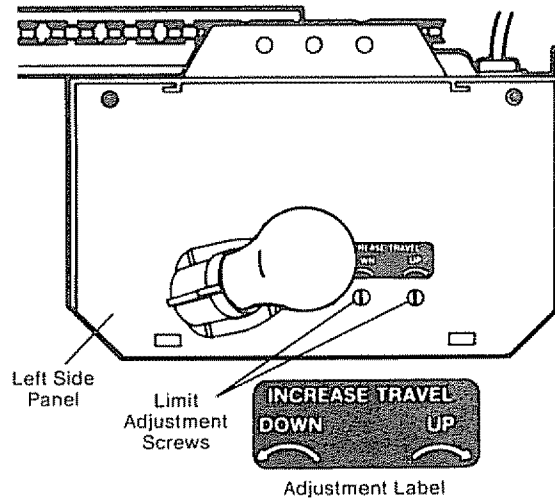
### Adjust Limits (All One-Piece Doors Only)

**CAUTION:** To prevent damage to garage doors, the opener limits must be adjusted on ALL ONE-PIECE DOORS.

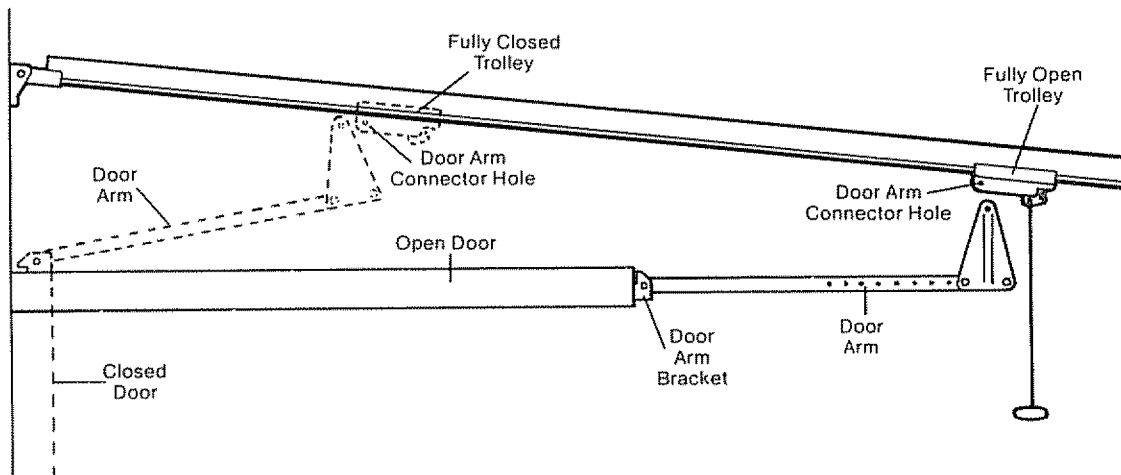
Limit Adjustment settings regulate the points at which door will stop when moving up or down.

Repeated operation of the opener during adjustment may cause the motor to overheat and shut off. Simply wait 15 minutes and continue adjustments.

Limit adjustment screws are located on the left side panel of the opener as shown. Increase limits by turning screws in direction shown on label. Decrease limits by turning screws in opposite direction.



The following illustration shows the position of the door arm and trolley when the door is open (solid line drawing), and when the door is closed (dotted line drawing).



#### ADJUSTMENT PROCEDURES

##### PROCEDURE - OPEN DOOR ADJUSTMENT

DECREASE the UP limit by turning the UP limit adjustment screw counterclockwise 8 complete turns.

Press Wall Control push button. Trolley will travel to full open position.

Manually raise garage door to open position (parallel to floor) and lift door arm to trolley. The arm should touch trolley just in back of door arm connector hole as shown in solid line drawing. If the arm does not extend far enough, make further DECREASED limit adjustment. One full turn equals 2 inches of door travel.

##### PROCEDURE - CLOSED DOOR ADJUSTMENT

DECREASE the DOWN limit by turning the DOWN limit adjustment screw clockwise 4 complete turns.

Press Wall Control push button. Trolley will travel to full closed position.

Manually close garage door and lift door arm to the trolley. Arm should touch trolley just ahead of door arm connector hole as shown in dotted line drawing. If arm is behind the connector hole, make further DECREASED limit adjustment. One full turn equals 2 inches of door travel.

**CONNECT DOOR ARM TO TROLLEY PROCEDURE:** With door closed, join wedge door arm to connector hole in trolley with the remaining clevis pin. Secure with a cotter pin. **NOTE: It may be necessary to lift door slightly to make connection.**

Run the opener through a complete travel cycle. If door has a slight 'downward' slant in full open position, turn the UP limit adjustment screw counterclockwise to decrease travel until door is parallel to floor.

# Adjustment

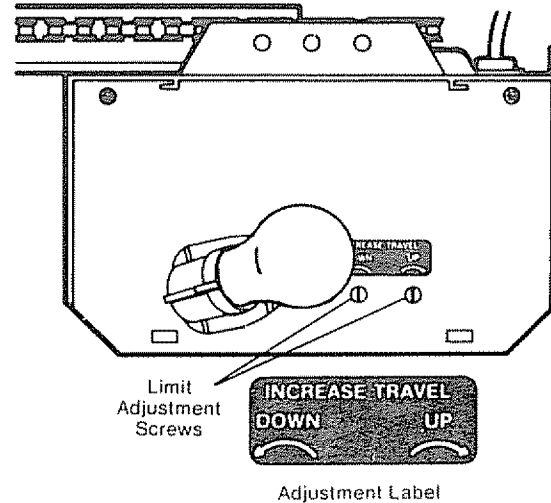
## STEP 1 *Adjust UP and DOWN Limits*

The limit adjustment screws are located on the left side panel of the opener chassis as shown. LIMIT ADJUSTMENT settings regulate the points at which the door will stop when moving up or down.

**NOTE:** Door **STOPS** in UP direction if anything interferes with door travel. Door **REVERSES** in DOWN direction if anything interferes with door travel (including binding or unbalanced doors).

**PROCEDURE:** To operate opener, press Wall Control Push Button or transmitter push button. Run the opener through a COMPLETE TRAVEL CYCLE. No adjustments are needed when the door opens and closes completely and does not reverse unintentionally in down direction.

The following chart outlines adjustment procedures. Run opener through a COMPLETE TRAVEL CYCLE AFTER EACH ADJUSTMENT. **NOTE: REPEATED OPERATION OF THE OPENER DURING ADJUSTMENT PROCEDURES MAY CAUSE THE MOTOR TO OVERHEAT AND SHUT OFF. SIMPLY WAIT 15 MINUTES AND TRY AGAIN.** Read the chart carefully before proceeding to Step 2, Pg. 19 Use a screwdriver to make limit adjustments.



### LIMIT ADJUSTMENT CHART

<p>IF DOOR DOES NOT OPEN COMPLETELY BUT OPENS AT LEAST FIVE FEET</p>	<p>Increase UP travel by turning UP LIMIT adjustment screw in clockwise direction as shown on label. One turn equals 2 inches of travel.</p> <p>If door doesn't open at least 5 feet, adjust OPEN FORCE as explained in Step 2, Page 19</p>
<p>IF DOOR DOES NOT CLOSE COMPLETELY</p>	<p><b>1. ON SECTIONAL DOORS:</b> Lengthen the door arm (See Step 10, Page 16). If door arm is at maximum length, increase the DOWN travel by turning the down limit adjustment screw in a counter clockwise direction as shown on label. One turn equals 2 inches of travel. If door still will not close completely, the header bracket is positioned too high. Repeat Step 2, Page 11</p> <p><b>2. ON ONE-PIECE DOORS:</b> Increase DOWN travel by turning the down limit adjustment screw in a counterclockwise direction as shown on label. One turn equals 2 inches of travel.</p>
<p>IF DOOR REVERSES WHEN CLOSING AND THERE IS NO INTERFERENCE TO TRAVEL CYCLE</p>	<p><b>TEST DOOR FOR BINDING</b></p> <p>Pull emergency release handle and manually open and close the door. If door is binding, call a door serviceman</p> <p><b>1. IF OPENER REVERSES BEFORE DOOR CLOSES FULLY:</b> Adjust the CLOSE FORCE as explained in Step 2, Page 19</p> <p><b>2. IF OPENER REVERSES IN FULLY CLOSED POSITION:</b> Decrease DOWN travel. Turn the down limit adjustment screw in clockwise direction. One turn equals 2 inches of travel.</p>

# Adjustment

## STEP 2 Adjust Force



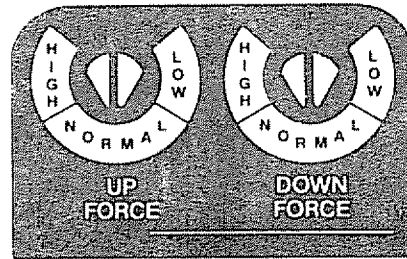
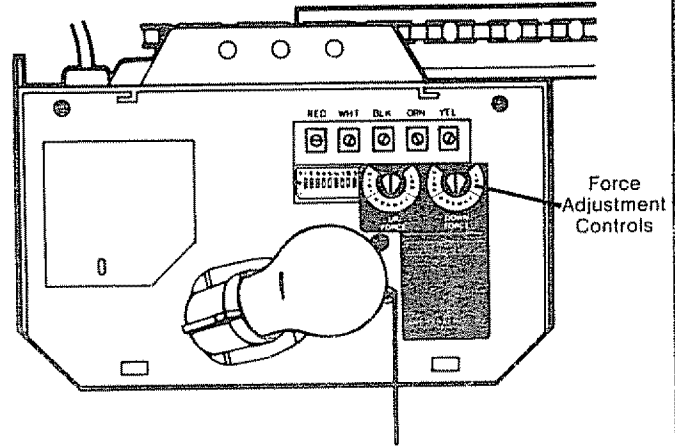
**DO NOT USE FORCE ADJUSTMENTS TO COMPENSATE FOR A BINDING OR STICKING GARAGE DOOR. EXCESSIVE FORCE WILL INTERFERE WITH THE PROPER OPERATION OF THE SAFETY REVERSE SYSTEM OR DAMAGE THE GARAGE DOOR.**

Force Adjustment Controls are located on right side panel of the opener chassis. **FORCE ADJUSTMENT** settings regulate the amount of power required to open and close the door.

**NOTE: Door STOPS in UP direction if anything interferes with door travel. Door REVERSES in DOWN direction if anything interferes with door travel (including binding or unbalanced doors).**

If force adjustments are set too light, door travel may be interrupted by nuisance reversals in the DOWN direction and stops in the UP direction. As weather conditions can affect door movement, occasional adjustment may be needed.

The maximum force adjustment range is 260 degrees, about 3/4 of a complete turn. Do not force controls beyond that point. Turn force adjustment controls with a screwdriver.



Adjustment Label

### FORCE ADJUSTMENT CHART

IF DOOR DOESN'T OPEN AT LEAST 5 FT:	Increase UP (OPEN) FORCE by turning control in a clockwise direction as shown on label. Make 10 degree turn adjustments until door opens completely. Readjust UP LIMIT if necessary. After each adjustment, run the opener through a complete travel cycle.
IF DOOR REVERSES DURING THE DOWN (CLOSE) CYCLE:	Increase DOWN (CLOSE) FORCE by turning control in a clockwise direction as shown on label. Make 10 degree turn adjustments until door completes the close cycle. After each adjustment, run opener through a complete travel cycle.
TEST DOWN (CLOSE) FORCE:	Grasp the door handle or door bottom when door is about halfway through DOWN (CLOSE) TRAVEL. The door should reverse. If the door is hard to hold or doesn't reverse, decrease the DOWN (CLOSE) FORCE by turning the control in a counter clockwise direction. Make 10 degree turn adjustments until the door reverses normally. After each adjustment, run the opener through a complete travel cycle.

# Adjustment

## STEP 3

### Test Safety Reverse System



THE SAFETY REVERSE SYSTEM TEST IS IMPORTANT. THE GARAGE DOOR *MUST* REVERSE ON CONTACT WITH A ONE INCH OBSTACLE PLACED ON THE FLOOR. FAILURE TO PROPERLY ADJUST THE OPENER MAY RESULT IN SERIOUS PERSONAL INJURY FROM A CLOSING GARAGE DOOR. REPEAT THE TEST AT LEAST ONCE A YEAR AND MAKE ANY NEEDED ADJUSTMENTS.

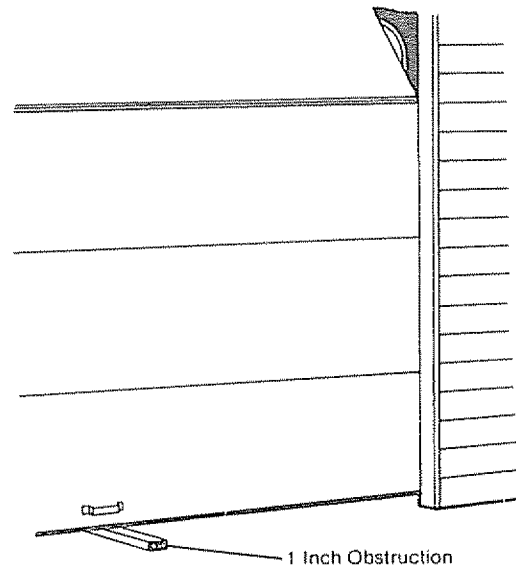
**PROCEDURE:** Place a 1-inch obstacle on the floor under the garage door. Operate the door in the DOWN direction. The door must reverse on the obstruction.

If a **SECTIONAL** door STOPS on the obstruction, lengthen door arm (Step 10, Page 16) until the door reverses in DOWN direction.

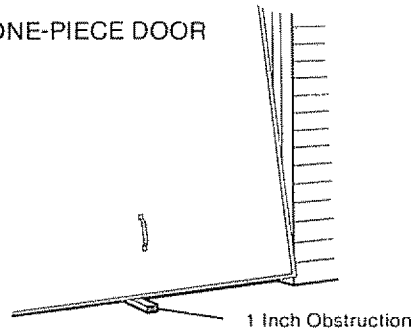
If a **ONE-PIECE** door stops on obstruction, door is not traveling far enough in DOWN direction. Increase the DOWN limit by turning the DOWN limit adjustment screw counter-clockwise 1/4 turn. REPEAT TEST.

When the door reverses on the 1-inch obstruction, remove obstruction and run opener through a complete travel cycle. Door must not reverse in closed position. If it does, repeat Adjustment Steps 2 and 3.

SECTIONAL DOOR



ONE-PIECE DOOR



REPEAT ADJUSTMENT STEP 3 AFTER:



1. EACH ADJUSTMENT OF DOOR ARM LENGTH, CLOSE FORCE OR DOWN LIMIT
2. ANY REPAIR OR ADJUSTMENT OF THE GARAGE DOOR (INCLUDING SPRINGS AND HARDWARE)
3. ANY REPAIR OR BUCKLING OF THE GARAGE FLOOR
4. ANY REPAIR OR ADJUSTMENT OF THE GARAGE DOOR OPENER

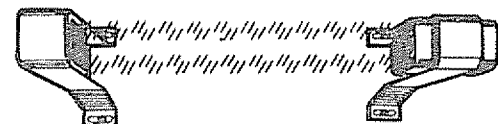
(Optional)

## STEP 4

### Install Infrared Reversing System

The INFRARED REVERSING SENSOR provides an **ADDITIONAL** measure of safety against small children being caught under a garage door. It uses an invisible beam which, when broken by an obstruction, causes a closing door to open or prevents an open door from closing.

After the garage door opener has been completely installed and adjusted, the INFRARED REVERSING SENSOR accessory can be installed. Instructions are included with this optional device.



**CAUTION:** The Infrared Reversing Sensor will not be in effect when Vacation Light is ON.

# Operation of Your Opener

## CAUTION:

- **START BY READING THE SAFETY RULES ON PAGE 3.**
- **READ THE OPERATING INSTRUCTIONS ON THIS PAGE CAREFULLY.**
- **DO NOT PERMIT CHILDREN TO PLAY IN AREA OF DOOR.**
- **OPERATE ONLY WHEN OPENER IS PROPERLY ADJUSTED AND DOOR IS IN SIGHT AND FREE OF OBSTRUCTION.**



THE SAFETY REVERSE SYSTEM IS IMPORTANT (SEE PAGE 20). GARAGE DOOR **MUST REVERSE ON CONTACT WITH A ONE-INCH OBSTACLE PLACED ON THE FLOOR.** FAILURE TO PROPERLY ADJUST OPENER MAY RESULT IN SERIOUS PERSONAL INJURY FROM A CLOSING GARAGE DOOR. REPEAT THE TEST AT LEAST ONCE A YEAR AND MAKE NEEDED ADJUSTMENTS.

## USING THE OPENER

Your garage door opener can be activated by any of the following methods:

1. Pressing the transmitter push button. Hold the button down until door starts to move.
2. Pressing the Wall Control push buttons.
3. By turning the Key Switch (if you have installed this accessory).

**WHEN EITHER THE WALL CONTROL OR TRANSMITTER PUSH BUTTONS ARE PRESSED, ONE OF THE FOLLOWING WILL OCCUR (Vacation Light OFF):**

1. If open, the door will close. If closed, the door will open.
2. If closing, the door will reverse.
3. If opening, the door will stop (allowing space for entry and exit of pets and for fresh air).
4. If the door has been stopped in a partially open position (refer to 3. above), it will close.
5. If an obstruction is encountered while closing, the door will reverse.
6. If an obstruction is encountered while opening, the door will stop.
7. The optional Infrared Reversing Sensor, if installed, will signal the opener to reverse the door in the closing cycle when the IR beam is obstructed and prevent an open door from closing. It has no effect in the opening cycle.

## THE LIGHTS

When the opener is activated, lights will turn on. They will turn off automatically after 4-1/2 minutes. BULB SIZE-75 watts maximum. When Work Light is ON, the lights will remain on.

## OPENING THE DOOR MANUALLY

The door can be operated manually by disconnecting it from the opener. Simply pull down sharply on the red emergency release handle. The door may now be lifted manually. **DO NOT USE EMERGENCY ROPE AND HANDLE TO PULL THE DOOR OPEN OR CLOSED.** To automatically reconnect the door to the opener, press the Wall Control push button.

## CARE OF THE OPENER

When properly installed, your opener will perform efficiently with a minimum of maintenance. You will be required to replace a light bulb or change a transmitter battery from time to time. A 9-Volt Alkaline battery is the most reliable, and is available at Sears.

The opener does not require additional lubrication - **HOWEVER** - the door rollers, bearings and hinges should be oiled yearly.

Most complaints of unsatisfactory opener operation can be traced to problems with the door itself. The opener is not intended to correct problems caused by an unbalanced or binding door, broken door springs or faulty door hardware. When operating the door manually, a properly balanced door will stay in any point of travel while being supported solely by its springs. If you encounter any difficulty when operating door manually, call a garage door serviceman.

## RADIO CONTROLS

Refer to pages 22 and 23 for complete details.

## LIMIT AND FORCE ADJUSTMENTS

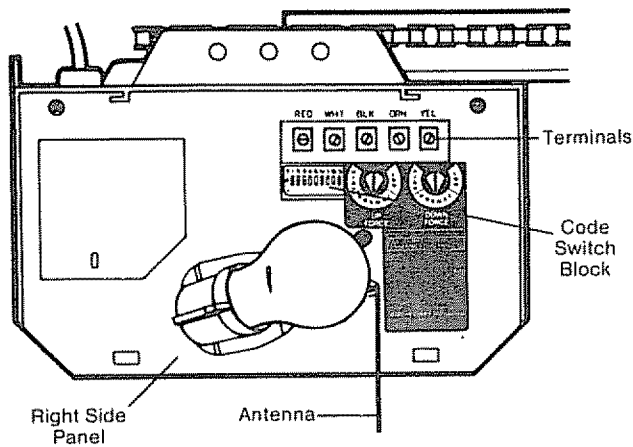
Refer to pages 18 and 19 for limit and force adjustments. These adjustments must be checked and properly set when opener is installed. Weather conditions may cause minor changes in door operation requiring some change in adjustments, particularly during the first year of operation. Only a screwdriver is required. Follow instructions carefully.

## CHAIN TENSION ADJUSTMENT

After installation of opener and adjustment of forces and limits, chain may appear loose. This is normal. **TO CHECK CHAIN TENSION:** disconnect the trolley by pulling red emergency handle. If chain returns to position described in Step 5. Page 9, **DO NOT** make further adjustments.

# Radio Controls

## RECEIVER



**RADIO CONTROLS** consist of a transmitter and a receiver. The transmitter sends a coded signal from outside the garage. The receiver is fastened to the right side panel of the door opener. It receives the transmitted signal and starts the door opener.

The signal code is set at the factory. Page 23 describes code changing procedures, if required.

Self service of radio controls is not recommended. If service is needed, contact your nearest Sears Service Center.

## THE TRANSMITTER

The portable transmitter may be secured to a car sun visor with the clip provided. Additional transmitters can be purchased at any time for use in all vehicles using the garage. (Refer to Accessories, Page 5). New transmitters must be set to the same code as original transmitter and receiver. Follow code setting procedures described on Page 23.

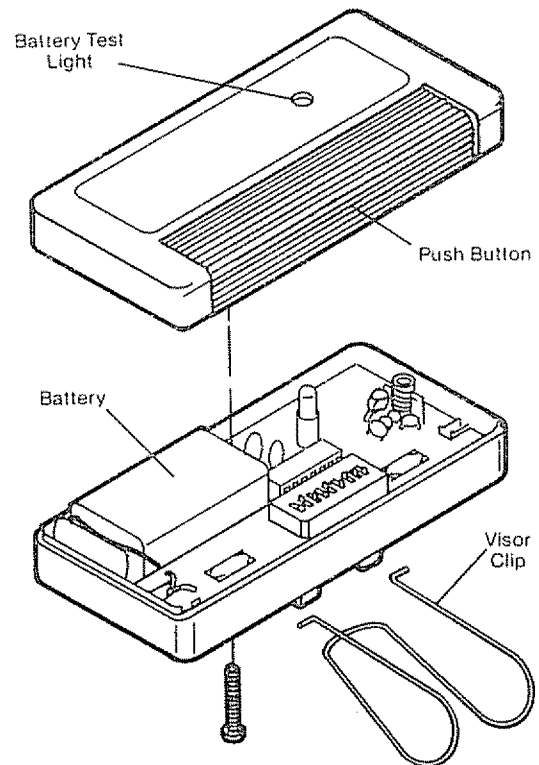
A 9-volt battery supplies the power. The transmitter is equipped with a battery check light. When the transmitter push button is pressed, light will glow if battery has power (and the opener will operate). When light does not come on, replace battery. If transmission range lessens, check battery light.

## THE BATTERY

The battery should produce adequate power for approximately one year. Avoid the inconvenience of unexpected battery failure by replacing it annually, preferably before winter. Alkaline batteries are the most reliable and are available at Sears.

**TO REPLACE BATTERY:** Remove visor clip and unfasten connecting screw. Remove top of transmitter case and discard old battery. Snap connector onto new battery. Replace top of case and connecting screw. Replace visor clip.

## TRANSMITTER



# Radio Controls

## Sears Trinary Radio Control

Manufactured under 1 or more of the following U.S. patents: 3 445 848; 3 906,348; and 4 037 201

The coded signal in Sears Trinary Radio Controls can be changed easily without the aid of a serviceman. The only tool needed is a flat blade screwdriver. Choose your own code by changing position of switches numbered 1 through 9 on the receiver code switch block. Changing the position of only one switch makes an entirely different code.

### MATCHING YOUR CODE IN A NEW TRANSMITTER

The original transmitter is preset at the factory to the same coded signal as the receiver. The code in any NEW transmitters must be set to match the code in the original transmitter and the receiver.

**PROCEDURE:** With visor clip off, remove screw in the original and new transmitter(s) as illustrated in Figure 1. Carefully turn cases over (push button sides up). Remove case tops as shown in Figure 2. **CAUTION: Be careful not to move circuit board components.**

Place transmitter circuit boards side by side as shown in Figure 3. Set the code switches in the new transmitter to match those in the original transmitter. Use a fingernail or screwdriver to slide the switches.

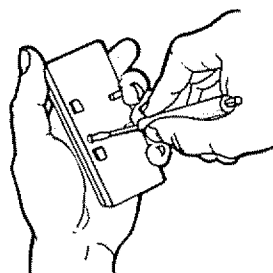


Figure 1

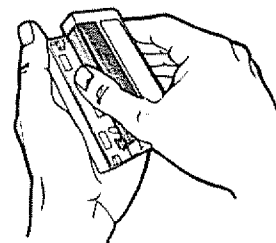


Figure 2

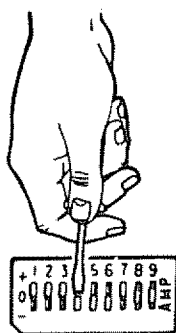
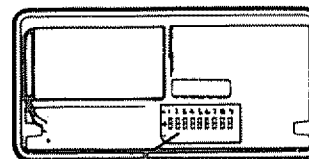
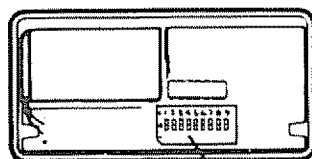


Figure 3



Transmitter Circuit Board  
Code Switches

### CHANGING YOUR CODE IN RECEIVER AND TRANSMITTER(S)



**DISCONNECT POWER TO OPENER BEFORE CHANGING THE CODE IN THE RECEIVER.**

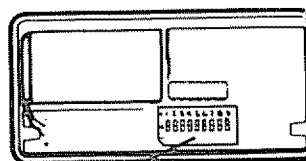
The receiver is fastened to the right side panel of the opener chassis. Code switches are shown in Figure 4. **IF YOU CHANGE THE CODE IN YOUR RECEIVER, ALSO CHANGE THE CODE IN YOUR TRANSMITTER(S).**

**PROCEDURE:** Hold transmitter circuit board alongside receiver code switches as shown. To change the code, use a fingernail or screwdriver. Slide one or more receiver switches to a plus, minus or center (0) position.

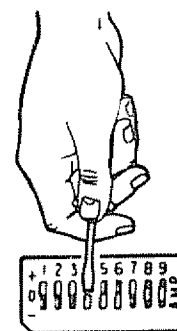
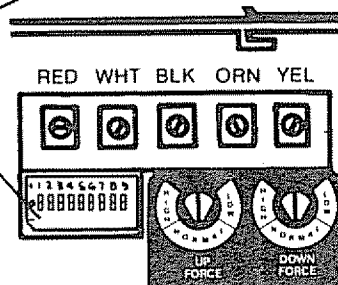
Set code switches in the transmitter(s) to match the new receiver code settings.

**IMPORTANT NOTE:** Code settings must be exactly the same in the receiver, transmitter and all additional transmitters used to operate the door. Please keep this instruction manual handy for future reference.

Figure 4



Code Switch



# Having a Problem?

## OPENER DOESN'T ACTIVATE

1. Have you removed all door locks and bolts?
2. Does the opener have electric power? Check wall switch, fuse, etc.
3. Is there a broken wire between Wall Control and opener? Check under staples. (A positive check can be made by temporarily installing another wire).
4. Are wiring connections correct? Refer to Step 7, Page 14.
5. Repeated operation may have tripped the overload protector in the motor. Wait 15 minutes. Try again.

## TRANSMITTER RANGE INSUFFICIENT

1. Check battery.
2. Change transmitter location in car.
3. Metal garage door, foil-backed insulation or metal siding will reduce range.
4. Antenna on side panel of opener must be fully extended downward.

## DOOR DOESN'T OPEN OR CLOSE COMPLETELY

1. Is something obstructing the door?
2. Limits may need adjustment. See Pg. 18.
3. Force may need adjustment. See Pg. 19.
4. Door will not close while in Vacation mode.

## DOOR OPENS AND CLOSES BY ITSELF

1. Neighbor with a Sears opener using the same code? Change your code.

## LIGHTS

1. Won't turn OFF? Check Work Light. Is it ON?
2. Won't turn ON? Check light bulbs.

## DOOR OPERATES FROM PUSH BUTTON BUT NOT FROM TRANSMITTER

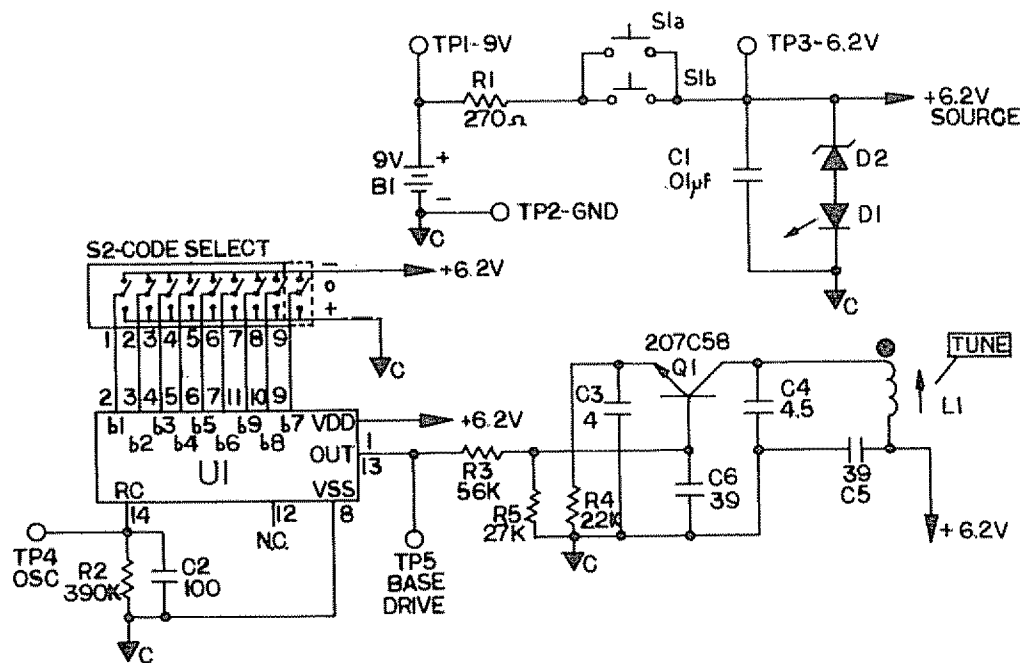
1. Replace the battery.
2. New transmitter? Have you set the code? Refer to Page 23.
3. Vacation light is ON.

## DOOR REVERSES FOR NO APPARENT REASON

1. Pull red emergency release handle. Operate the door manually. Is it balanced? Binding? If service is needed call a garage door serviceman.
2. Force adjustment may be needed. See Pg 19.
3. Check for proper alignment of Infrared Reversing Sensor (if you have installed this accessory).
4. Clear ice and snow from garage floor area where garage door closes.

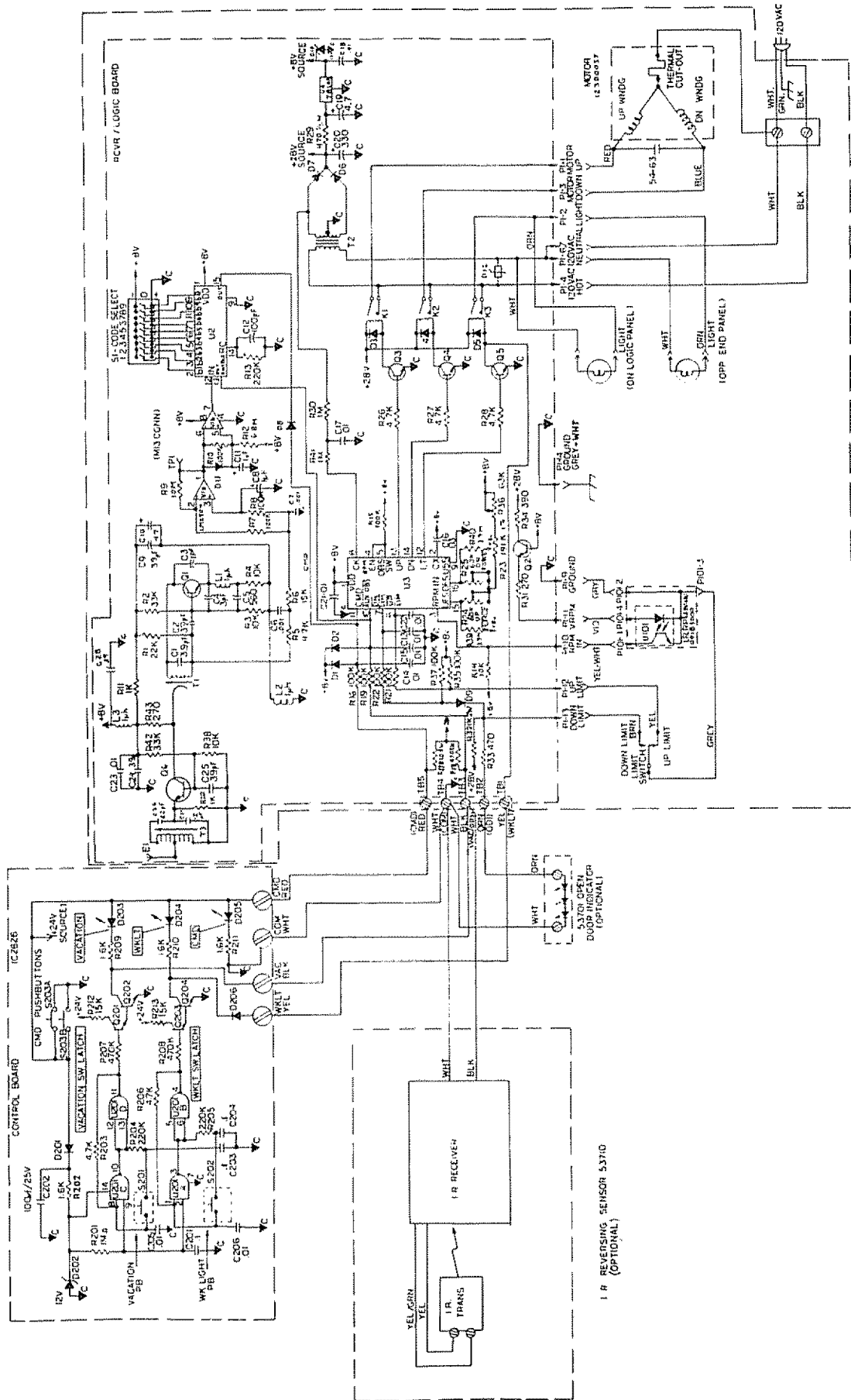
THE NEED FOR OCCASIONAL ADJUSTMENT OF FORCE AND LIMIT CONTROLS IS NORMAL. WEATHER CONDITIONS IN PARTICULAR CAN AFFECT DOOR MOVEMENT.

# Transmitter Schematic



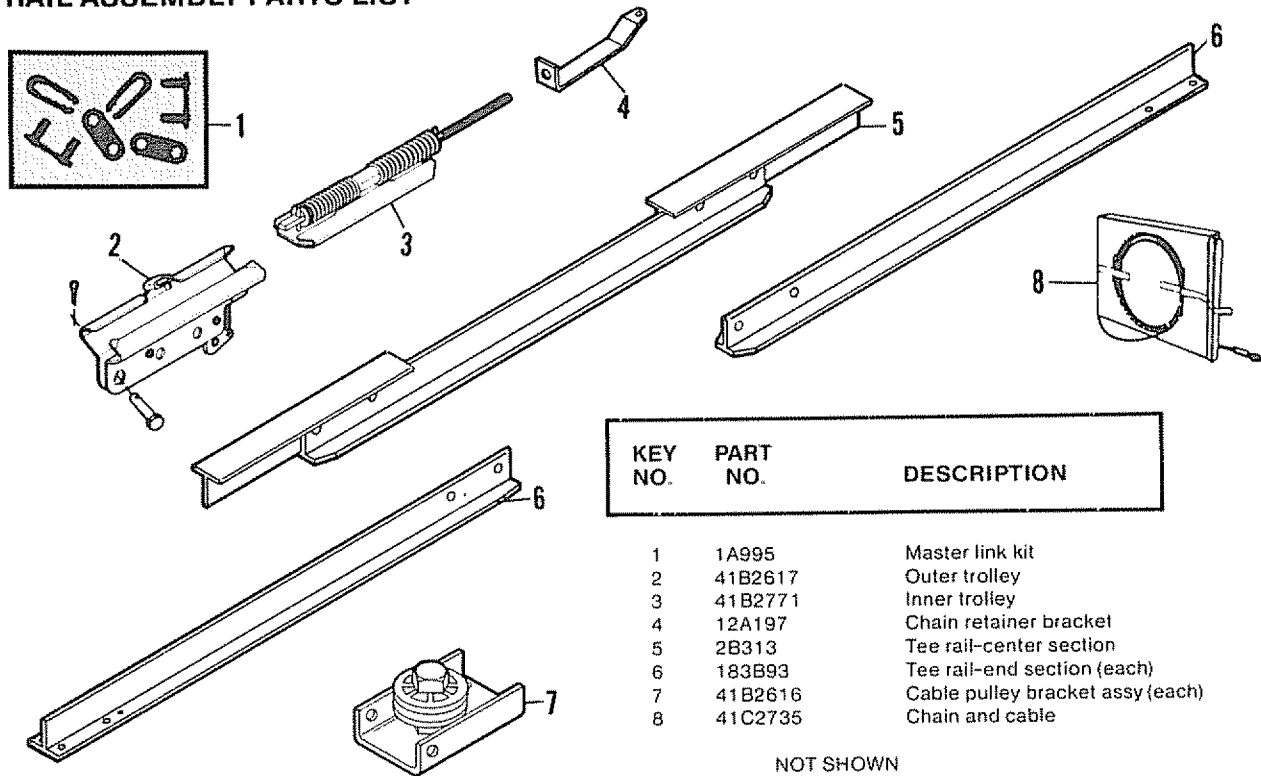


# Wiring Diagram and Receiver Schematic



# Repair Parts

## RAIL ASSEMBLY PARTS LIST



KEY NO.	PART NO.	DESCRIPTION
---------	----------	-------------

1	1A995	Master link kit
2	41B2617	Outer trolley
3	41B2771	Inner trolley
4	12A197	Chain retainer bracket
5	2B313	Tee rail-center section
6	183B93	Tee rail-end section (each)
7	41B2616	Cable pulley bracket assy (each)
8	41C2735	Chain and cable

NOT SHOWN

41A2814 Rail assy hardware kit (includes hardware illustrated on Page 4)

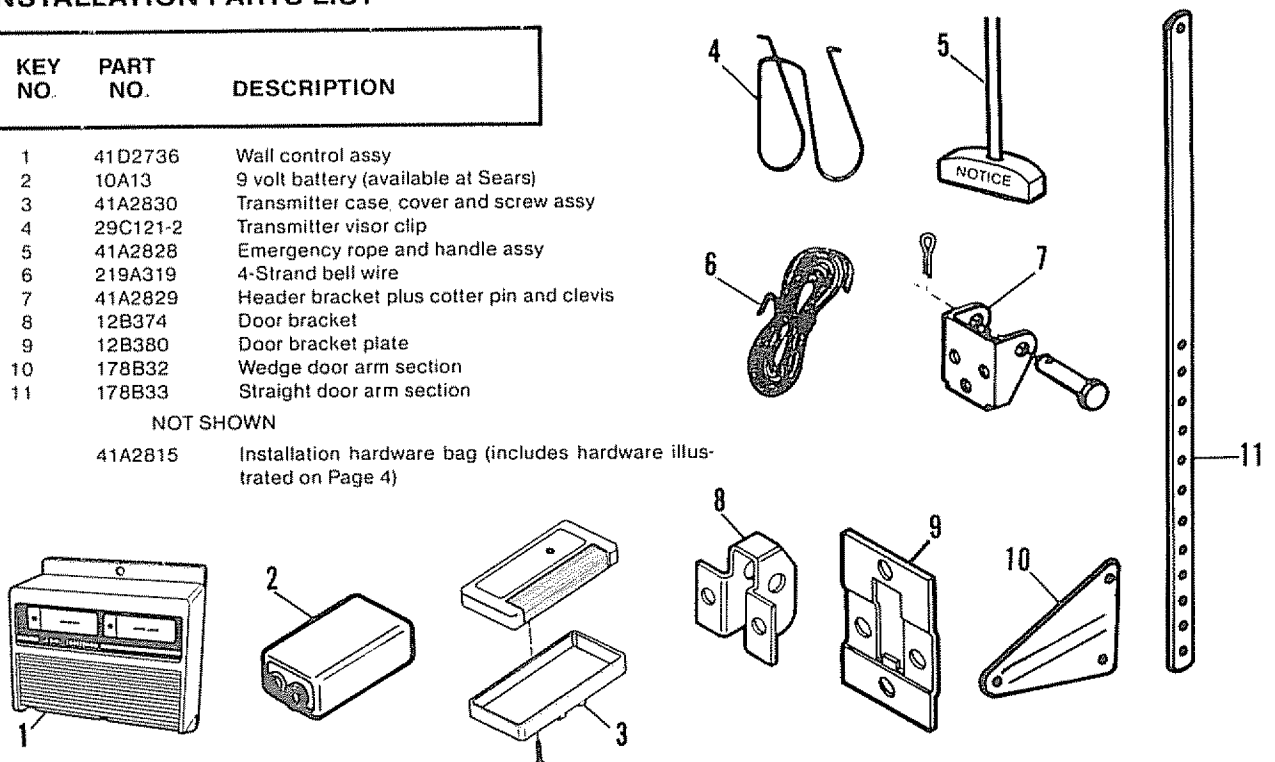
## INSTALLATION PARTS LIST

KEY NO.	PART NO.	DESCRIPTION
---------	----------	-------------

1	41D2736	Wall control assy
2	10A13	9 volt battery (available at Sears)
3	41A2830	Transmitter case, cover and screw assy
4	29C121-2	Transmitter visor clip
5	41A2828	Emergency rope and handle assy
6	219A319	4-Strand bell wire
7	41A2829	Header bracket plus cotter pin and clevis
8	12B374	Door bracket
9	12B380	Door bracket plate
10	178B32	Wedge door arm section
11	178B33	Straight door arm section

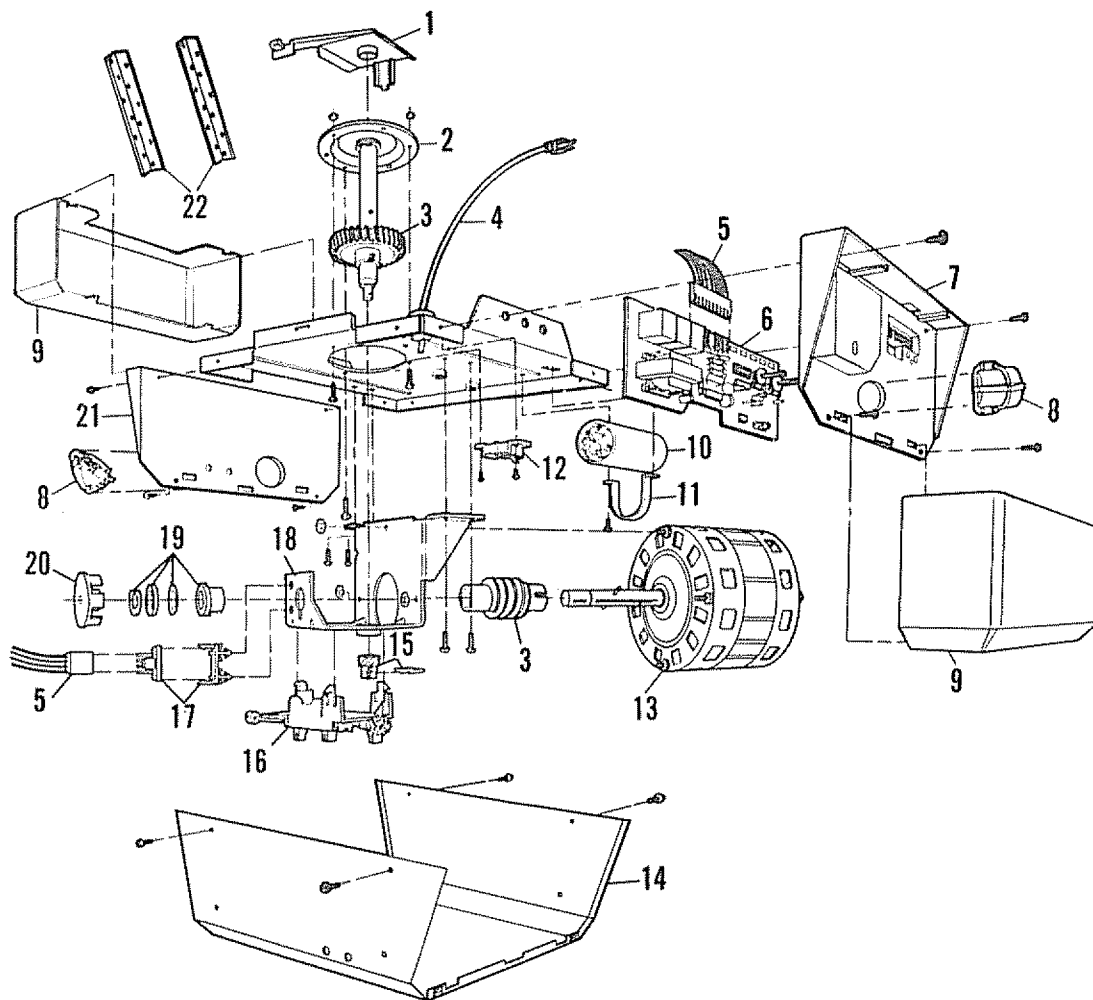
NOT SHOWN

41A2815 Installation hardware bag (includes hardware illustrated on Page 4)



# Repair Parts

## Chassis Assembly Parts List



KEY NO.	PART NO.	DESCRIPTION
---------	----------	-------------

1	31C290	Sprocket cover
2	41A2827	Gear and sprocket assy Complete with: Spring washer Thrust washer Retaining ring Bearing plate Roll pins (2) Drive gear Worm gear Helical gear w/retainer Grease
3	41A2817	Drive/worm gear kit w/grease Roll pins (2)
4	41B2991	Line cord
5	41C2725	Wire harness assy w/plug
6	41A3063	Receiver logic board assy. Logic board End panel w/all labels Light socket (1)
7	41A3073	End panel w/all labels

KEY NO.	PART NO.	DESCRIPTION
---------	----------	-------------

8	175B88	Light socket (each)
9	108D30-1	Lens (each)
10	30B363	Capacitor
11	12A373	Capacitor bracket
12	1A2510	Terminal block w/screws
13	41A2821	Motor assy. w/roll pin
14	41C2740	Cover w/all labels
15	41A2818	Helical gear and retainer w/grease
16	41D3013	Limit switch assy
17	41C3005	RPM sensor assembly
18	41A3027	Motor bracket and bearing assy.
19	41A2826	Shaft bearing kit
20	41A2822	Interrupter cup assy
21	41A3074	End panel
22	12B350	Hanging brackets
NOT SHOWN		
	114A895	Owners manual
	41A2825	Chassis assy. hardware kit (includes screws not designated by number in illustration)

**Sears Best**

# Owners Manual

## CRAFTSMAN®

**Garage  
Door  
Opener  
Model  
139.535006**

### HOW TO ORDER REPAIR PARTS

Now that you have purchased your Sears Garage Door Opener, should a need ever exist for repair parts or service, simply contact any Sears Service Center and most Sears, Roebuck and Co. stores. Be sure to provide all pertinent facts when you call or visit.

The MODEL NUMBER of your garage door opener is printed on a label located on the right side panel of the opener chassis.

All parts listed may be ordered from any service center and most Sears stores.

WHEN ORDERING REPAIR PARTS, ALWAYS GIVE THE FOLLOWING INFORMATION:

- PART NUMBER
- PART DESCRIPTION
- MODEL NUMBER
- NAME OF ITEM

If the parts you need are not stocked locally, your order will be electronically transmitted to a Sears Repair Parts Distribution Center for handling.

**IMPORTANT NOTE:** If you suspect radio malfunction, contact your nearest SEARS Service Center.

### MAINTENANCE AGREEMENTS ...YOUR WAY TO BUY TOMORROW'S SERVICE AT TODAY'S PRICE ...

With nationwide service and the benefits of a Sears warranty plus a Sears Maintenance Agreement, you don't have to worry about costly repairs resulting from normal use.

The Maintenance Agreement does not cover installation or re-installation of the product or damage resulting from external causes such as: acts of abuse, fire, flood, wind, lightning, freezing, etc.

To Purchase a Sears Maintenance Agreement - Ask Any Salesperson or Call Sears Service Today.

## SEARS WARRANTY

### GARAGE DOOR OPENER MODEL 139.535006

#### FULL 90 DAY WARRANTY ON GARAGE DOOR OPENER

For 90 days from the date of purchase, Sears will repair this Garage Door Opener, free of charge, if defective in material or workmanship.

#### LIMITED WARRANTY

From the 91st day until one year from the date of purchase, Sears will furnish replacement parts for any defective parts, free of charge. You pay for labor.

#### LIMITED WARRANTY ON MOTOR

After 1 year and through 5 years, if the motor on this Garage Door Opener is defective, Sears will furnish a replacement motor, free of charge. You pay for labor.

#### LIMITATION ON LIABILITY

Sears will not be liable for loss or damage to property or any incidental or consequential loss or expense from property damage due directly or indirectly from the use of this product.

Some states do not allow the exclusion or limitation of incidental or consequential damages, so the above limitation or exclusion may not apply to you.

This warranty does not cover repairs necessary because of operator abuse or negligence, including the failure to install, adjust and operate this garage door opener according to the instructions contained in the owner's manual.

WARRANTY SERVICE IS AVAILABLE BY SIMPLY CONTACTING THE NEAREST SEARS SERVICE CENTER/DEPARTMENT IN THE UNITED STATES. This warranty applies only while the product is in use in the United States.

This warranty gives you specific legal rights, and you may also have other rights which vary from state to state.

SEARS ROEBUCK AND COMPANY, Dept. 698/731A, Sears Tower, Chicago, IL 60684

## Free Manuals Download Website

<http://myh66.com>

<http://usermanuals.us>

<http://www.somanuals.com>

<http://www.4manuals.cc>

<http://www.manual-lib.com>

<http://www.404manual.com>

<http://www.luxmanual.com>

<http://aubethermostatmanual.com>

Golf course search by state

<http://golfingnear.com>

Email search by domain

<http://emailbydomain.com>

Auto manuals search

<http://auto.somanuals.com>

TV manuals search

<http://tv.somanuals.com>