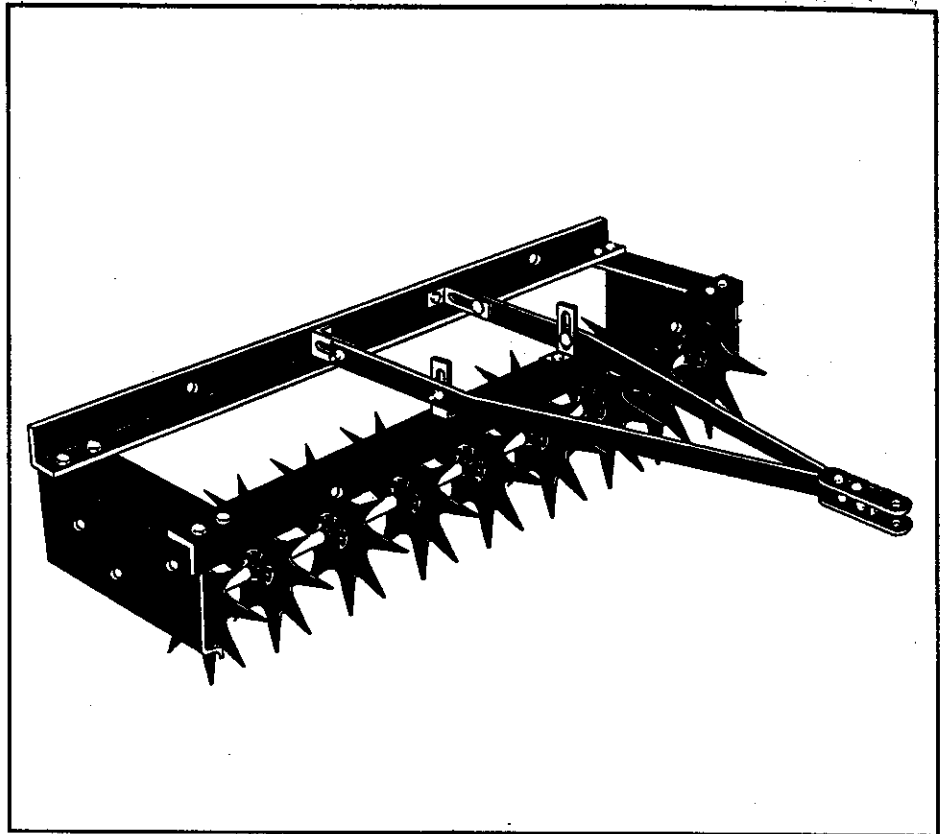


SEARS
OWNERS
MANUAL

Model No.
486.24336

CAUTION:
Read Rules for
Safe Operation
and Instructions
Carefully



CRAFTSMAN®
36" SPIKE AERATOR

- Safety
- Assembly
- Operation
- Maintenance
- Parts

Sears, Roebuck and Co., Hoffman Estates, IL. 60179 U.S.A.



TABLE OF CONTENTS



Safety Rules	2	Maintenance	6
Warranty	2	Storage	6
Full Size Hardware Chart	3	Repair Parts Illustration	7
Assembly	4	Repair Parts List	7
Operation	6	Parts Ordering/Service	Back Cover



SAFETY



Any power equipment can cause injury if operated improperly or if the user does not understand how to operate the equipment. Exercise caution at all times when using power equipment.

- Read the owners manual carefully for operating and service instructions before attempting to assemble or operate this equipment. Be thoroughly familiar with the proper use of this equipment.
- Read the vehicle owners manual and vehicle safety rules, and know how to operate the vehicle before using this equipment.
- Never allow children to operate the tractor or spike aerator attachment, and do not allow adults to operate without proper instructions.
- Wear eye protection when operating the aerator.
- Wear substantial footwear when operating the aerator.
- Do not allow anyone to ride or sit on spike aerator attachment frame or on towing vehicle.
- Keep the area of operation clear of all persons, particularly small children, and also pets.
- Always begin with the transmission in first (low) gear and engine at low speed, and gradually increase speed as conditions permit.
- The vehicle braking and stability may be affected with the attachment of this equipment. Be aware of changing conditions on slopes. Refer to safety rules in the vehicle owner's manual concerning safe operation on slopes. **STAY OFF OF STEEP SLOPES.**
- Always operate up and down a slope, never across the face of a slope
- This equipment should be operated at reduced speed on rough terrain, along creeks and ditches and on hillsides, to prevent tipping and loss of control. Do not drive too close to a creek or a ditch.
- Do not tow this equipment on a highway or any other public thoroughfare.
- Follow the maintenance instructions as outlined in this owners manual.



Look for this symbol to point out important safety precautions. It means--**Attention!! Become alert!!** Your safety is involved.



WARRANTY



LIMITED ONE YEAR WARRANTY ON SPIKE AERATOR

For one year from the date of purchase, when this spike aerator is maintained and lubricated according to the operating and maintenance instructions in the owner's manual, Sears will repair any defect in material or workmanship free of charge. If this spike aerator is used for commercial or rental purposes, this warranty applies for only 90 days from the date of purchase.

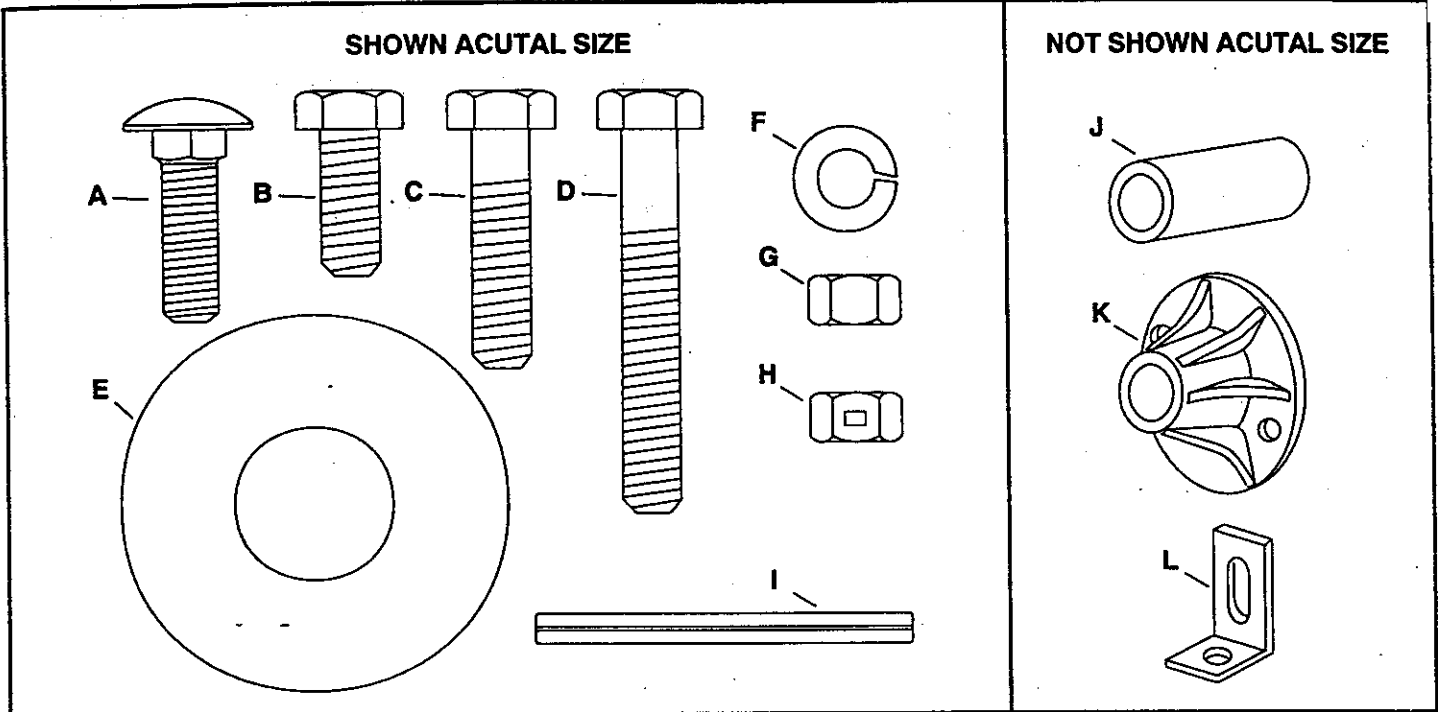
This warranty does not cover repairs necessary because of operator negligence or abuse, including the failure to maintain the equipment according to instructions contained in the owner's manual.

WARRANTY SERVICE IS AVAILABLE BY CONTACTING THE NEAREST SEARS SERVICE CENTER/DEPARTMENT IN THE UNITED STATES.

This warranty applies only while this product is in the United States.

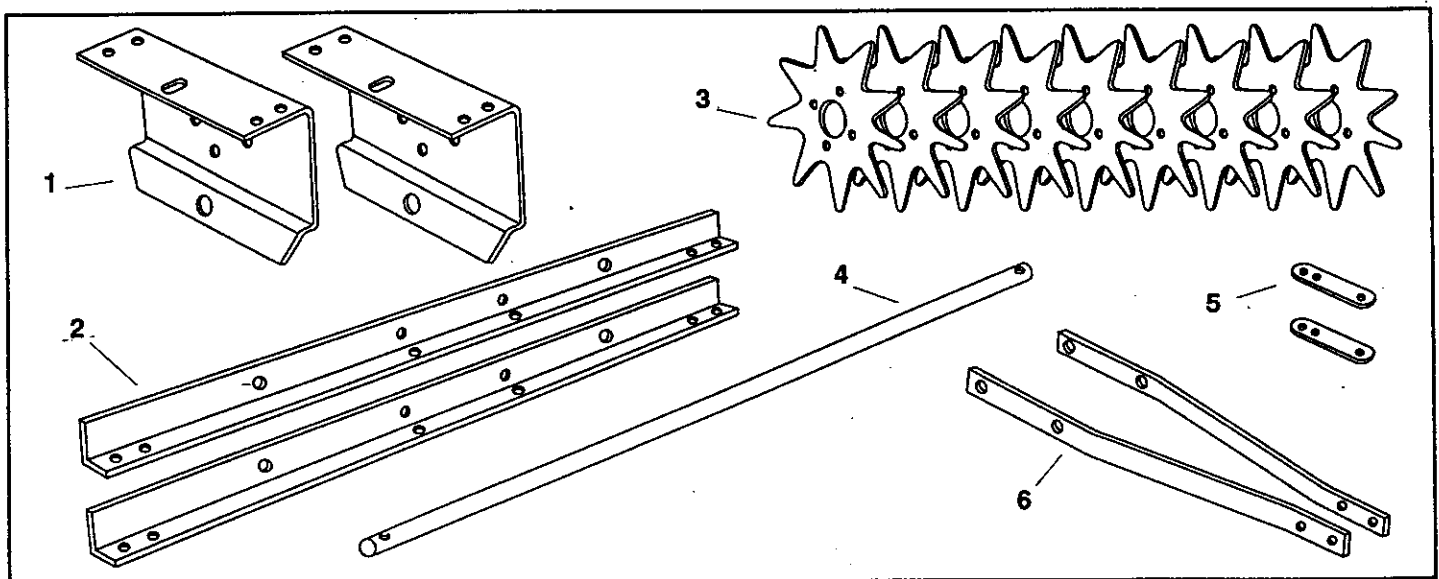
This warranty gives you specific legal rights, and you may also have other rights which vary from state to state. Sears, Roebuck and Co. D/817 WA. Hoffman Estates, Chicago, IL 60179

HARDWARE PACKAGE CONTENTS



Ref.	Qty.	Description	Ref.	Qty.	Description
A	4	Bolt, Carriage, 5/16" x 1"	G	12	Nut, Hex Plain 5/16"
B	12	Bolt, Hex, 5/16" x 3/4"	H	8	Nut, Hex Lock 5/16"
C	2	Bolt, Hex, 5/16" x 1-1/4"	I	2	Spring Pin, 1/4" x 2"
D	2	Bolt, Hex, 5/16" x 2"	J	8	Tube, Spacer
E	4	Washer, 3/4" Std. Wrt.	K	10	Hub, Spike Disk
F	12	Lock Washer, 5/16"	L	4	Hitch Arm Mount Bracket

CARTON CONTENTS



1. End Plate (2)
 2. Frame Angle (2)
 3. Spike Disk (9)
 4. Axle
 5. Hitch Bracket (2)
 6. Hitch Mount Arm (2)
- Hardware Pack (Shown above)

ASSEMBLY



CAUTION: The spike disks have sharp points. To avoid injury, use extra care when handling the disks and when assembling the aerator.

TOOLS REQUIRED FOR ASSEMBLY

- (2) 1/2" open or boxed end wrench
- (1) Hammer

Lay out and identify all parts and hardware as shown in Carton Contents and Hardware Pack illustrations.

- Assemble the two frame angles (one with the bend up and the other with the bend down) to the two end plates using eight 5/16" x 3/4" hex bolts and eight 5/16" hex lock nuts. Make sure that the frame is squared up, and then **tighten**. See figure 1.

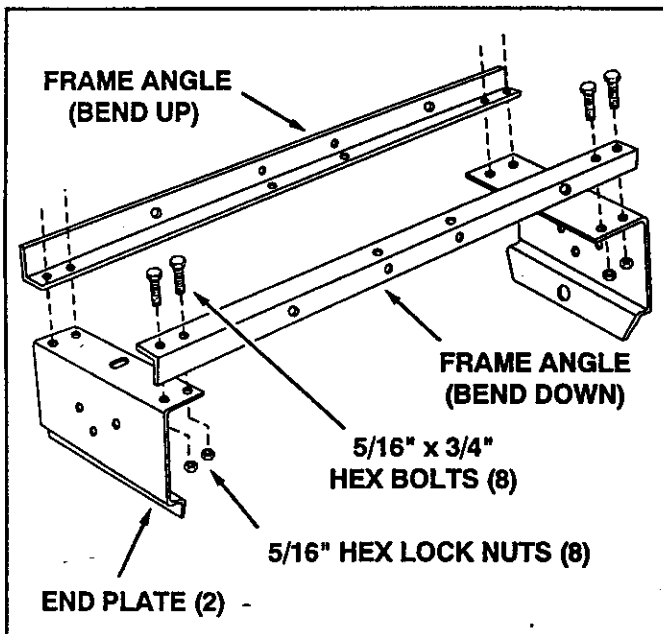


FIGURE 1

- Using a hammer, drive a spring pin through the hole in one end of the axle. Insert the other end of the axle through one of the end plates. See figure 2.

- Assemble onto the axle, in order, two 3/4" washers, a spike disk hub and a spike disk. (The pegs on the hub fit into the holes in the disk.) See figure 2.
- Next, assemble onto the axle, in order, a spike disk hub, a spacer and a spike disk. Repeat until all of the spike disks have been assembled onto the axle. See figure 2.

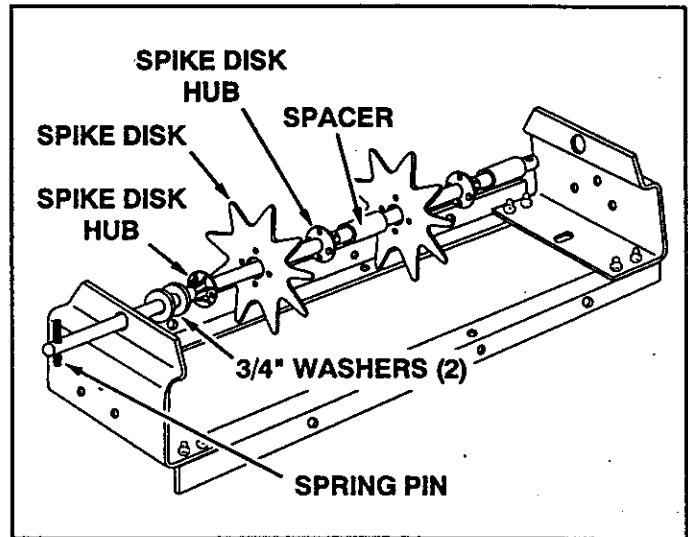


FIGURE 2

- Finally, assemble the last spike disk hub and two 3/4" washers onto the axle and push the end of the axle on through the second end plate. See figure 3.
- Drive a spring pin into the hole in the end of the axle, stopping before it hits the end plate. The spring pins secure the axle in the frame and also prevent the axle from rotating. See figure 3.

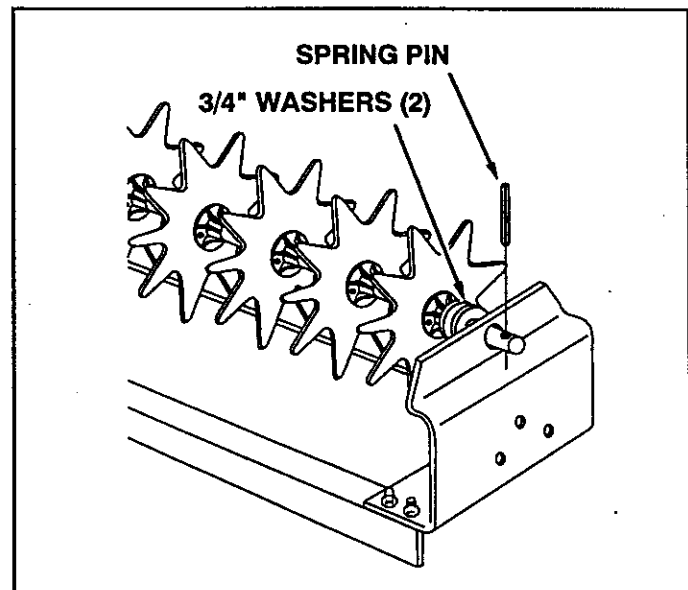


FIGURE 3

- Attach two hitch arm mount brackets to the middle holes in the front frame angle (bend pointing down) as shown in figure 4. Fasten each bracket with a 5/16" x 3/4" hex bolt, a 5/16" lock washer and a 5/16" plain hex nut. Make sure the brackets are aligned straight and then **tighten**. See figure 4.

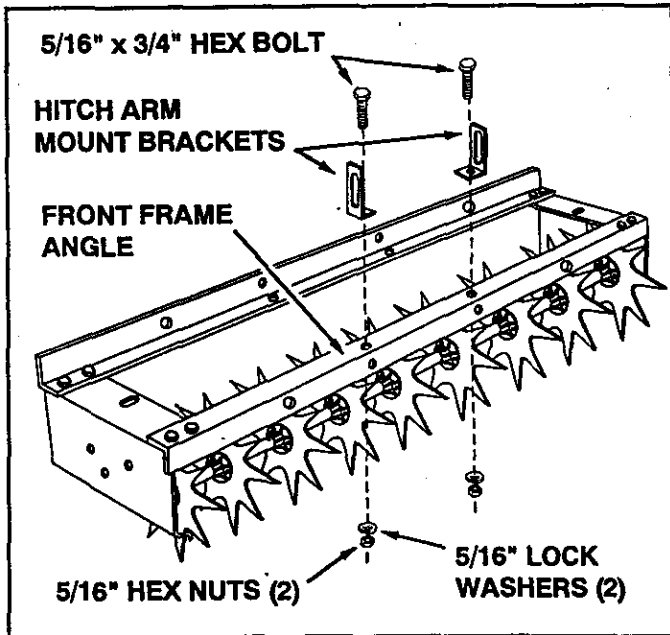


FIGURE 4

- Assemble two hitch arm mount brackets to the middle holes in the rear frame angle using two 5/16" x 3/4" hex bolts, two 5/16" lock washers and two 5/16" plain hex nuts. Make sure the brackets are aligned straight and then **tighten**. See figure 5.

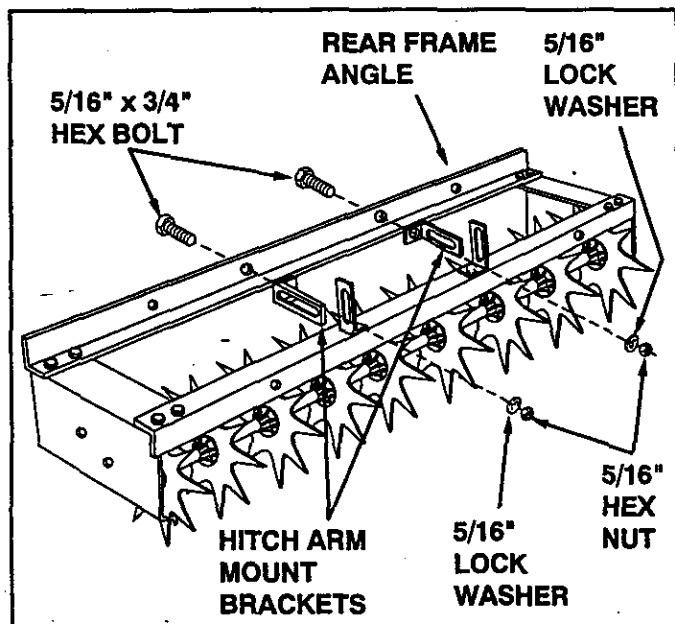


FIGURE 5

- Assemble the hitch mount arms to the four hitch arm mount brackets as shown in figure 6. Use four 5/16" x 1" carriage bolts, four 5/16" lock washers and four 5/16" plain hex nuts. Do not tighten yet. See figure 6.

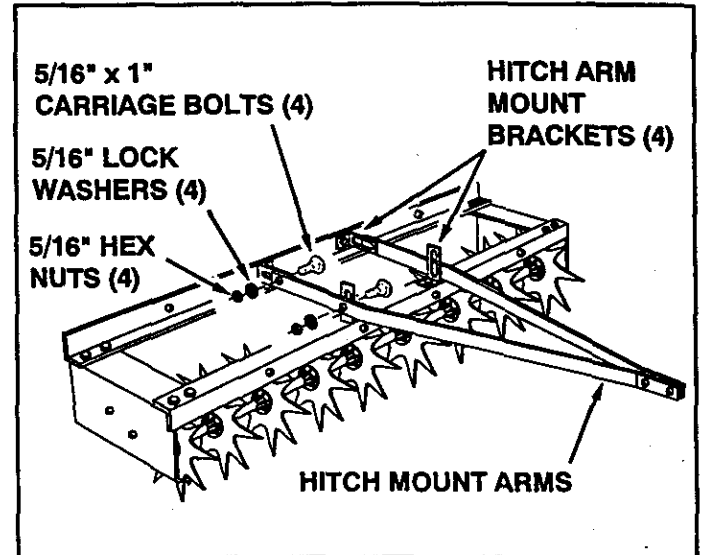


FIGURE 6

- Assemble the ends of the hitch mount arms together using two 5/16" x 1-1/4" hex bolts, two 5/16" lock washers and two 5/16" plain hex nuts as shown in figure 7. Do not tighten yet.
- Assemble the hitch brackets to the hitch mount arms using two 5/16" x 2" hex bolts, two 5/16" lock washers and two 5/16" plain hex nuts as shown in figure 7. **Tighten all loose fasteners** which were assembled in figures 6 and 7.

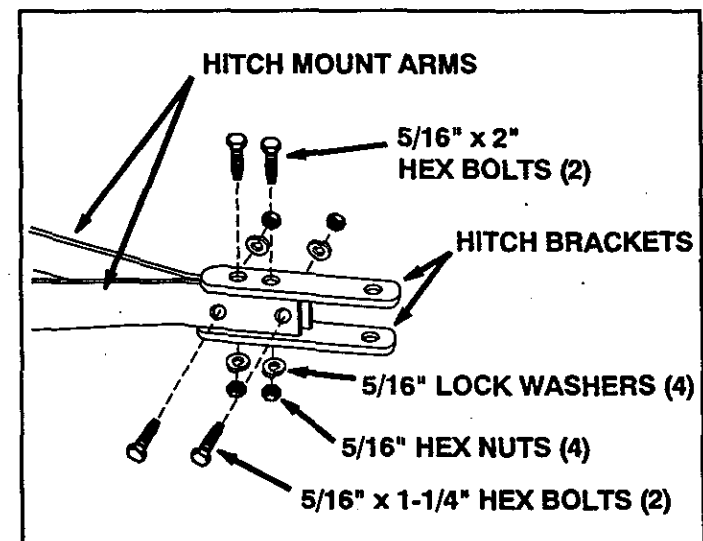


FIGURE 7

OPERATION



CAUTION: Spike disks have sharp points. Exercise caution at all times when using the aerator.

BEFORE USING YOUR AERATOR

- **DO NOT** attempt to aerate if ground is muddy.
- If ground is extremely hard or dry, it is recommended that it be watered down for 1 or 2 hours prior to use.
- Mow lawn and remove loose clippings prior to use of lawn aerator.
- Attach the aerator to the tractor hitch and check to see that the aerator is level. Adjust by loosening the bolts which fasten the hitch mount arms to the hitch arm mount brackets. Raise or lower the position of the arms until the aerator is level. See figure 8.

HOW TO USE YOUR AERATOR

Aerating cuts small holes in the soil to create reservoirs that bring oxygen, fertilizer and water into the root zone. For best performance of the spike aerator attachment, the following lawn preparation and operation is recommended.

- Start tractor engine with controls in neutral and place throttle at slow engine speed.
- Engage shift lever into lowest possible forward speed and increase speed as conditions permit.

- Aerate in the straightest line possible, making overlapping passes to increase spike point pattern.
- To prevent lawn damage, avoid sharp turns.
- On sloped lawns aerate in up and down direction. **DO NOT** aerate across the face of slopes.
- To increase spike point depth penetration add weight as required. The aerator frame holds up to three concrete blocks at approximately 35 pounds each. Weights can be secured to frame with straps or other binding material. See figure 8.

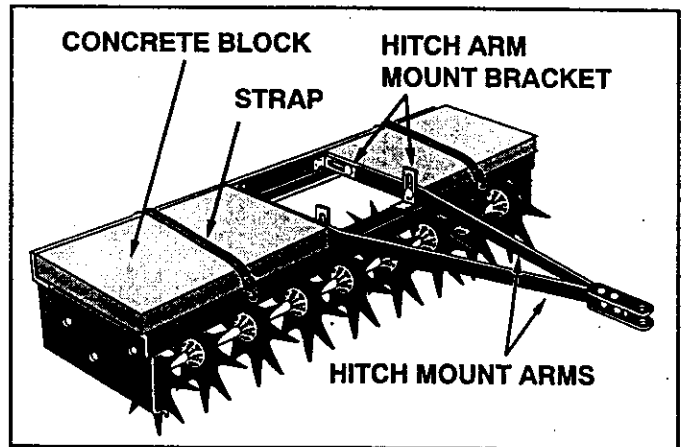


FIGURE 8

MAINTENANCE/STORAGE

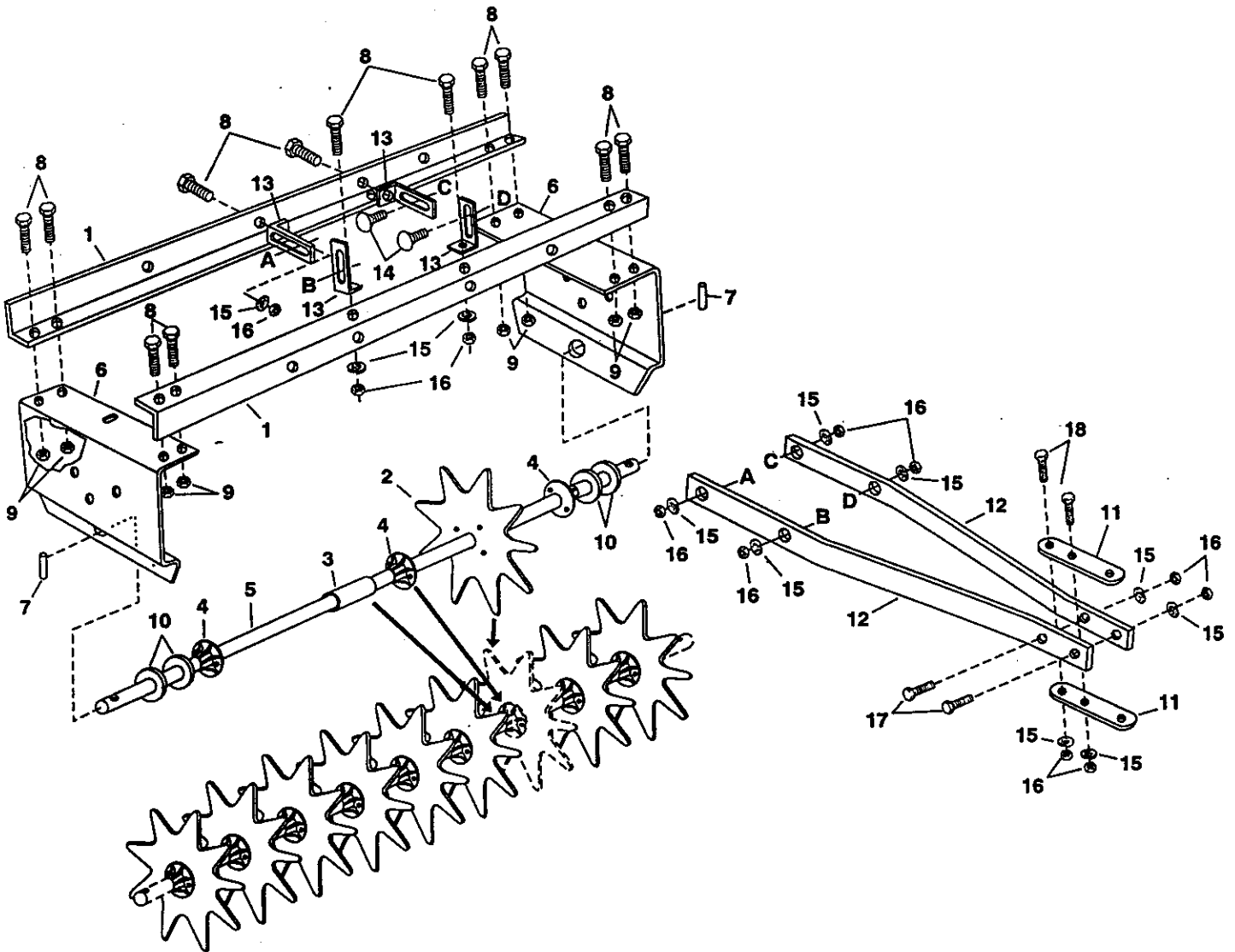
CUSTOMER RESPONSIBILITIES

- Read and follow the maintenance schedule and the maintenance procedures listed in this section.

MAINTENANCE SCHEDULE Fill in dates as you complete regular service.	Service Dates											
	Before each use	After each use	Every season	Before storage								
Check for loose fasteners	X											
Check for worn or damaged parts	X		X									
Cleaning		X	X									
Lubricate Spike Disk Hubs			X									

- Spiker points can be sharpened with a small grinder periodically to maintain good penetration. Spike disks should be removed to sharpen points.
- Before each use check nuts and bolts for tightness.
- Clean after each use. If rust appears on shield or spikes, sand lightly and coat with enamel paint.
- Lubricate the spike disk hubs with a small amount of light oil or grease at the beginning of each season.
- Always store in dry area when not in use. Coat bare metal with light oil or paint.

PARTS



PARTS LIST FOR 36" SPIKE AERATOR MODEL NO. 486.24336

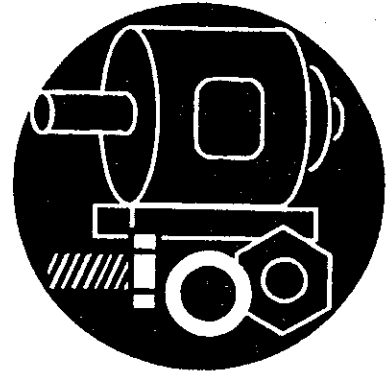
REF. NO.	PART NO.	QTY.	DESCRIPTION	REF. NO.	PART NO.	QTY.	DESCRIPTION
1	24012	2	Angle Frame	11	23981	2	Bracket, Hitch
2	23900	9	Disc, Spike	12	23914	2	Arm, Hitch Mount
3	46499	8	Spacer, Tube	13	23442	4	Bracket, Hitch Arm Mount
4	45148	10	Hub, Spike Disc	14	44326	4	Bolt, Carriage 5/16-18 x 1"
5	24013	1	Axle	15	43086	12	Lock Washer, 5/16 Spring Type
6	23903	2	End Plate	16	43083	12	Nut, Hex 5/16-18 Plain
7	45187	2	Pin, Spring	17	43840	2	Bolt, Hex 5/16-18 x 1-1/4"
8	43182	12	Bolt, Hex 5/16-18 x 3/4 PLTD	18	44180	2	Bolt, Hex 5/16-18 x 2"
9	43064	8	Nut, Hex Lock 5/16-18		47301	1	Owner's Manual
10	1540-162	4	Washer, 3/4"				

For the repair or replacement parts you need delivered directly to your home

Call 7 am - 7 pm, 7 days a week

1-800-366-PART

(1-800-366-7278)



For in-home major brand repair service

Call 24 hours a day, 7 days a week

1-800-4-REPAIR

(1-800-473-7247)



For the location of a Sears Parts and Repair Center in your area

Call 24 hours a day, 7 days a week

1-800-488-1222



For information on purchasing a Sears Maintenance Agreement or to inquire about an existing Agreement

Call 9 am - 5 pm, Monday-Saturday

1-800-827-6655



When requesting service or ordering parts, always provide the following information:

- Product Name
- Part Name
- Model Number
- Part Number



Free Manuals Download Website

<http://myh66.com>

<http://usermanuals.us>

<http://www.somanuals.com>

<http://www.4manuals.cc>

<http://www.manual-lib.com>

<http://www.404manual.com>

<http://www.luxmanual.com>

<http://aubethermostatmanual.com>

Golf course search by state

<http://golfingnear.com>

Email search by domain

<http://emailbydomain.com>

Auto manuals search

<http://auto.somanuals.com>

TV manuals search

<http://tv.somanuals.com>