

Owner's Manual



ROTARY LAWN MOWER

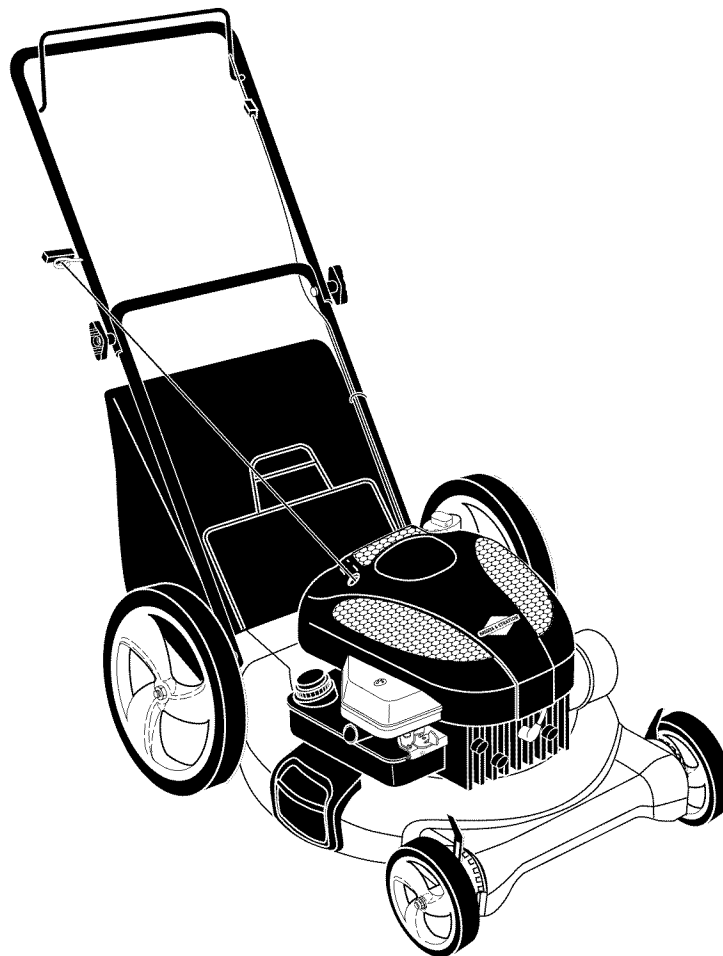
550 Series Briggs & Stratton Engine

21" Multi-Cut

Model No.

917.388201

• Español, p. 18



CAUTION:

Read and follow all
Safety Rules and Instructions
before operating this equipment

Sears, Roebuck and Co., Hoffman Estates, IL 60179 U.S.A.

Visit our Craftsman website: www.sears.com/craftsman

TABLE OF CONTENTS

Warranty	2	Maintenance	11-13
Safety Rules	2-4	Service and Adjustments	14
Product Specifications	4	Storage	15-16
Assembly / Pre-Operation	6	Troubleshooting	16-17
Operation	7-10	Repair Parts	34-41
Maintenance Schedule	11	Sears Service	Back Cover

WARRANTY

2-YEAR FULL WARRANTY ON CRAFTSMAN LAWN MOWER

If this Craftsman Lawn Mower fails due to manufacturer defects in material or workmanship within two years from the date of purchase, return it to any Sears store, Parts & Repair Center or other Craftsman outlet for free repair (or replacement if repair proves impossible).

This warranty applies for only 90 days from the date of purchase if this Lawn Mower is ever used for commercial or rental purposes.

This warranty does not cover:

- Expendable items that become worn during normal use, such as rotary mower blades, blade adapters, belts, air cleaners and spark plug.
- Repairs necessary because of operator abuse or negligence, including bent crackshafts and the failure to assemble, operate or maintain this Lawn Mower according to all supplied product instructions.

This warranty applies only while this product is used in the United States.

This warranty gives you specific legal rights, and you may also have other rights which vary from state to state.

Sears, Roebuck and Co., Hoffman Estates, IL 60179

SAFETY RULES

IMPORTANT: This cutting machine is capable of amputating hands and feet and throwing objects. Failure to observe the following safety instructions could result in serious injury or death.

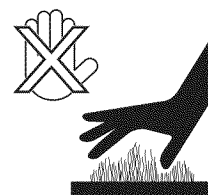
⚠ Look for this symbol to point out important safety precautions. It means **CAUTION!!! BECOME ALERT!!! YOUR SAFETY IS INVOLVED.**

⚠ WARNING: In order to prevent accidental starting when setting up, transporting, adjusting or making repairs, always disconnect spark plug wire and place wire where it cannot come in contact with plug.

⚠ WARNING: Engine exhaust, some of its constituents, and certain vehicle components contain or emit chemicals known to the State of California to cause cancer and birth defects or other reproductive harm.

⚠ WARNING: Battery posts, terminals and related accessories contain lead and lead compounds, chemicals known to the State of California to cause cancer and birth defects or other reproductive harm. **Wash hands after handling.**

⚠ CAUTION: Muffler and other engine parts become extremely hot during operation and remain hot after engine has stopped. To avoid severe burns on contact, stay away from these areas.



I. GENERAL OPERATION

- Read, understand, and follow all instructions on the machine and in the manual(s) before starting. Be thoroughly familiar with the controls and the proper use of the machine before starting.
- Do not put hands or feet near or under rotating parts. Keep clear of the discharge opening at all times.
- Only allow responsible individuals, who are familiar with the instructions, to operate the machine.
- Clear the area of objects such as rocks, toys, wire, bones, sticks, etc., which could be picked up and thrown by blade.
- Be sure the area is clear of other people before mowing. Stop machine if anyone enters the area.
- Do not operate the mower when bare-foot or wearing open sandals. Always wear substantial foot wear.
- Do not pull mower backwards unless absolutely necessary. Always look down and behind before and while moving backwards.
- Never direct discharged material toward anyone. Avoid discharging material against a wall or obstruction. Material may ricochet back toward the operator. Stop the blade when crossing gravel surfaces.
- Do not operate the mower without proper guards, plates, grass catcher or other safety protective devices in place.
- See manufacturer's instructions for proper operation and installation of accessories. Only use accessories approved by the manufacturer.
- Stop the blade(s) when crossing gravel drives, walks, or roads.
- Stop the engine (motor) whenever you leave the equipment, before cleaning the mower or unclogging the chute.
- Shut the engine (motor) off and wait until the blade comes to complete stop before removing grass catcher.
- Mow only in daylight or good artificial light.
- Do not operate the machine while under the influence of alcohol or drugs.
- Never operate machine in wet grass. Always be sure of your footing: keep a firm hold on the handle; walk, never run.
- Disengage the self-propelled mechanism or drive clutch on mowers so equipped before starting the engine.
- If the equipment should start to vibrate abnormally, stop the engine (motor) and check immediately for the cause. Vibration is generally a warning of trouble.

- Always wear safety goggles or safety glasses with side shields when operating mower.

II. SLOPE OPERATION

Slopes are a major factor related to slip & fall accidents which can result in severe injury. All slopes require extra caution. If you feel uneasy on a slope, do not mow it.

DO:

- Mow across the face of slopes: never up and down. Exercise extreme caution when changing direction on slopes.
- Remove obstacles such as rocks, tree limbs, etc.
- Watch for holes, ruts, or bumps. Tall grass can hide obstacles.

DO NOT:

- Do not trim near drop-offs, ditches or embankments. The operator could lose footing or balance.
- Do not trim excessively steep slopes.
- Do not mow on wet grass. Reduced footing could cause slipping.

III. CHILDREN

Tragic accidents can occur if the operator is not alert to the presence of children. Children are often attracted to the machine and the mowing activity. *Never* assume that children will remain where you last saw them.

- Keep children out of the trimming area and under the watchful care of another responsible adult.
- Be alert and turn machine off if children enter the area.
- Before and while walking backwards, look behind and *down* for small children.
- Never allow children to operate the machine.
- Use extra care when approaching blind corners, shrubs, trees, or other objects that may obscure vision.

IV. SAFE HANDLING OF GASOLINE

Use extreme care in handling gasoline. Gasoline is extremely flammable and the vapors are explosive.

- Extinguish all cigarettes, cigars, pipes and other sources of ignition.
- Use only an approved container.
- Never remove gas cap or add fuel with the engine running. Allow engine to cool before refueling.
- Never refuel the machine indoors.
- Never store the machine or fuel container where there is an open flame, spark or pilot light such as a water heater or on other appliances.

- Never fill containers inside a vehicle, on a truck or trailer bed with a plastic liner. Always place containers on the ground away from your vehicle before filling.
- Remove gas-powered equipment from the truck or trailer and refuel it on the ground. If this is not possible, then refuel such equipment with a portable container, rather than from a gasoline dispenser nozzle.
- Keep the nozzle in contact with the rim of the fuel tank or container opening at all times until fueling is complete. Do not use a nozzle lock-open device.
- If fuel is spilled on clothing, change clothing immediately.
- Never overfill fuel tank. Replace gas cap and tighten securely.
- Keep nuts and bolts, especially blade attachment bolts, tight and keep equipment in good condition.
- Never tamper with safety devices. Check their proper operation regularly.
- Keep machine free of grass, leaves, or other debris build-up. Clean oil or fuel spillage. Allow machine to cool before storing.
- Stop and inspect the equipment if you strike an object. Repair, if necessary, before restarting.
- Never attempt to make wheel height adjustments while the engine is running.
- Grass catcher components are subject to wear, damage, and deterioration, which could expose moving parts or allow objects to be thrown. Frequently check components and replace with manufacturer's recommended parts, when necessary.
- Mower blades are sharp and can cut. Wrap the blade(s) or wear gloves, and use extra caution when servicing them.
- Do not change the engine governor setting or overspeed the engine.
- Maintain or replace safety and instruction labels, as necessary.

V. GENERAL SERVICE

- Never run a machine inside a closed area.
- Never make adjustments or repairs with the engine (motor) running. Disconnect the spark plug wire, and keep the wire away from the plug to prevent accidental starting.

⚠WARNING: This lawn mower is equipped with an internal combustion engine and should not be used on or near any unimproved forest-covered, brush-covered or grass-covered land unless the engine's exhaust system is equipped with a spark arrester meeting applicable local or state laws (if any). If a spark arrester is used, it should be maintained in effective working order by the operator. In the state of California the above is required by law (Section 4442 of the California Public Resources Code). Other states may have similar laws. Federal laws apply on federal lands. A spark arrester for the muffler is available through your nearest Sears Parts & Repair Center (See the REPAIR PARTS section of this manual).

PRODUCT SPECIFICATIONS

Serial Number:	
Date of Purchase:	
Gasoline Capacity / Type:	1.0 Quarts (Unleaded Regular)
Oil Type (API SG–SL):	SAE 30 (above 32°F); SAE 5W-30 (below 32°F)
Oil Capacity:	20 Ounces
Spark Plug (Gap: .030")	Champion RJ19LM or J19LM
Blade Bolt Torque:	35-40 ft. lbs.
<ul style="list-style-type: none"> • The model and serial numbers will be found on a decal on the rear of the lawn mower housing. Record both serial number and date of purchase in space provided above. 	

Repair Protection Agreements

Congratulations on making a smart purchase. Your new Craftsman® product is designed and manufactured for years of dependable operation. But like all products, it may require repair from time to time. That's when having a Repair Protection Agreement can save you money and aggravation.

Purchase a Repair Protection Agreement now and protect yourself from unexpected hassle and expense.

Here's what's included in the Agreement:

- **Expert service** by our 12,000 professional repair specialists.
- **Unlimited service and no charge** for parts and labor on all covered repairs.
- **Product replacement** if your covered product can't be fixed.
- **Discount of 10%** from regular price of service and service-related parts not covered by the agreement; also, 10% off regular price of preventive maintenance check.

- **Fast help by phone** – phone support from a Sears representative on products requiring in-home repair, plus convenient repair scheduling.

Once you purchase the Agreement, a simple phone call is all that it takes for you to schedule service. You can call anytime day or night, or schedule a service appointment online.

Sears has over 12,000 professional repair specialists, who have access to over 4.5 million quality parts and accessories.

That's the kind of professionalism you can count on to help prolong the life of your new purchase for years to come. Purchase your Repair Protection Agreement today!

Some limitations and exclusions apply. For prices and additional information call 1-800-827-6655.



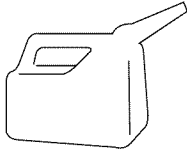
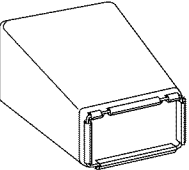
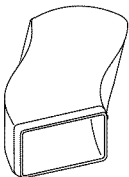
Sears Installation Service

For Sears professional installation of home appliances, garage door openers, water heaters, and other major home items, in the U.S.A. call 1-800-4-MY-HOME®.

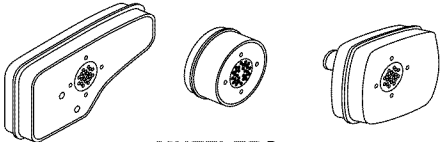
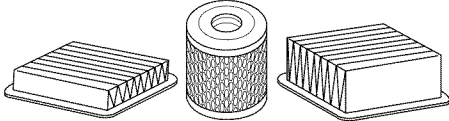
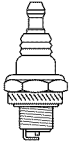
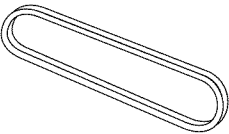
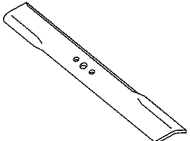
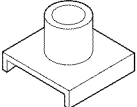


ACCESSORIES

These accessories were available when this lawn mower was produced. **They are not shipped with your mower.** They are also available at most Sears retail outlets and service centers. Some of these accessories may not apply to your lawn mower.

LAWN MOWER PERFORMANCE

 <p>CLIPPING DEFLECTORS FOR REAR DISCHARGE LAWN MOWERS</p>	 <p>STABILIZER</p>	 <p>GAS CANS</p>
 <p>GRASS CATCHERS FOR REAR DISCHARGE LAWN MOWERS</p>	 <p>GRASS CATCHERS FOR SIDE DISCHARGE LAWN MOWERS</p>	

LAWN MOWER MAINTENANCE

 <p>MUFFLERS</p>		 <p>AIR FILTERS</p>		 <p>SPARK PLUGS</p>
 <p>BELTS</p>	 <p>BLADES</p>	 <p>BLADE ADAPTERS</p>	 <p>WHEELS</p>	 <p>ENGINE OIL</p>

ASSEMBLY / PRE-OPERATION

Read these instructions and this manual in its entirety before you attempt to assemble or operate your new lawn mower.

IMPORTANT: This lawn mower is shipped WITHOUT OIL OR GASOLINE in the engine.

Your new lawn mower has been assembled at the factory with the exception of those parts left unassembled for shipping purposes. To ensure safe and proper operation of your lawn mower, all parts and hardware you assemble must be tightened securely. Use the correct tools as necessary to ensure proper tightness. All parts such as nuts, washers, bolts, etc., necessary to complete the assembly have been placed in the parts bag.

TO REMOVE MOWER FROM CARTON

1. Remove loose parts included with mower.
2. Cut down two end corners of carton and lay end panel down flat.
3. Remove all packing materials except padding between upper and lower handle and padding holding operator presence control bar to upper handle.
4. Roll lawn mower out of carton and check carton thoroughly for additional loose parts.

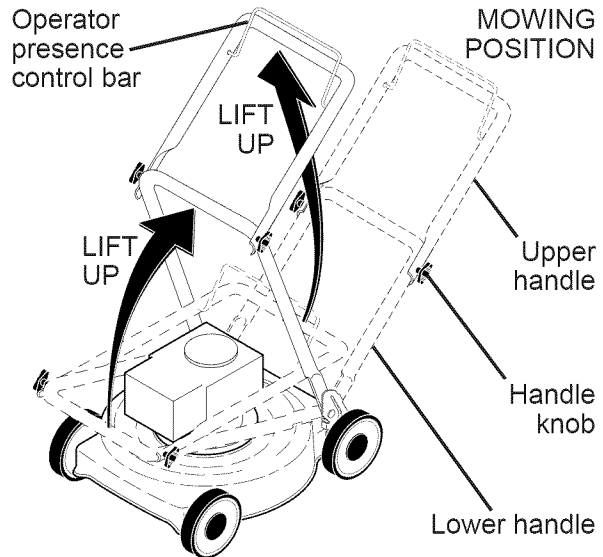
HOW TO SET UP YOUR MOWER

TO UNFOLD HANDLE

IMPORTANT: Unfold handle carefully so as not to pinch or damage control cables.

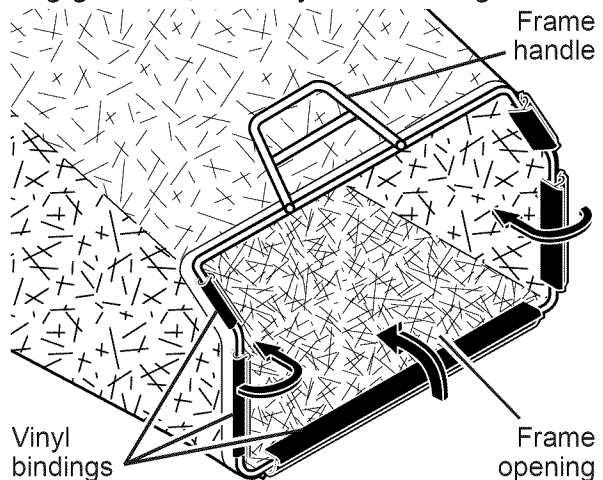
1. Raise handles until lower handle section locks into place in mowing position.
2. Remove protective padding, raise upper handle section into place on lower handle and tighten both handle knobs.
3. Remove handle padding holding operator presence control bar to upper handle.

Your lawn mower handle can be adjusted for your mowing comfort. Refer to "ADJUST HANDLE" in the Service and Adjustments section of this manual.



TO ASSEMBLE GRASS CATCHER

1. Put grass catcher frame into grass bag with rigid part of bag on the bottom. Make sure the frame handle is outside of the bag top.
 2. Slip vinyl bindings over frame.
- NOTE:** If vinyl bindings are too stiff, hold them in warm water for a few minutes. If bag gets wet, let it dry before using.



TO INSTALL ATTACHMENTS

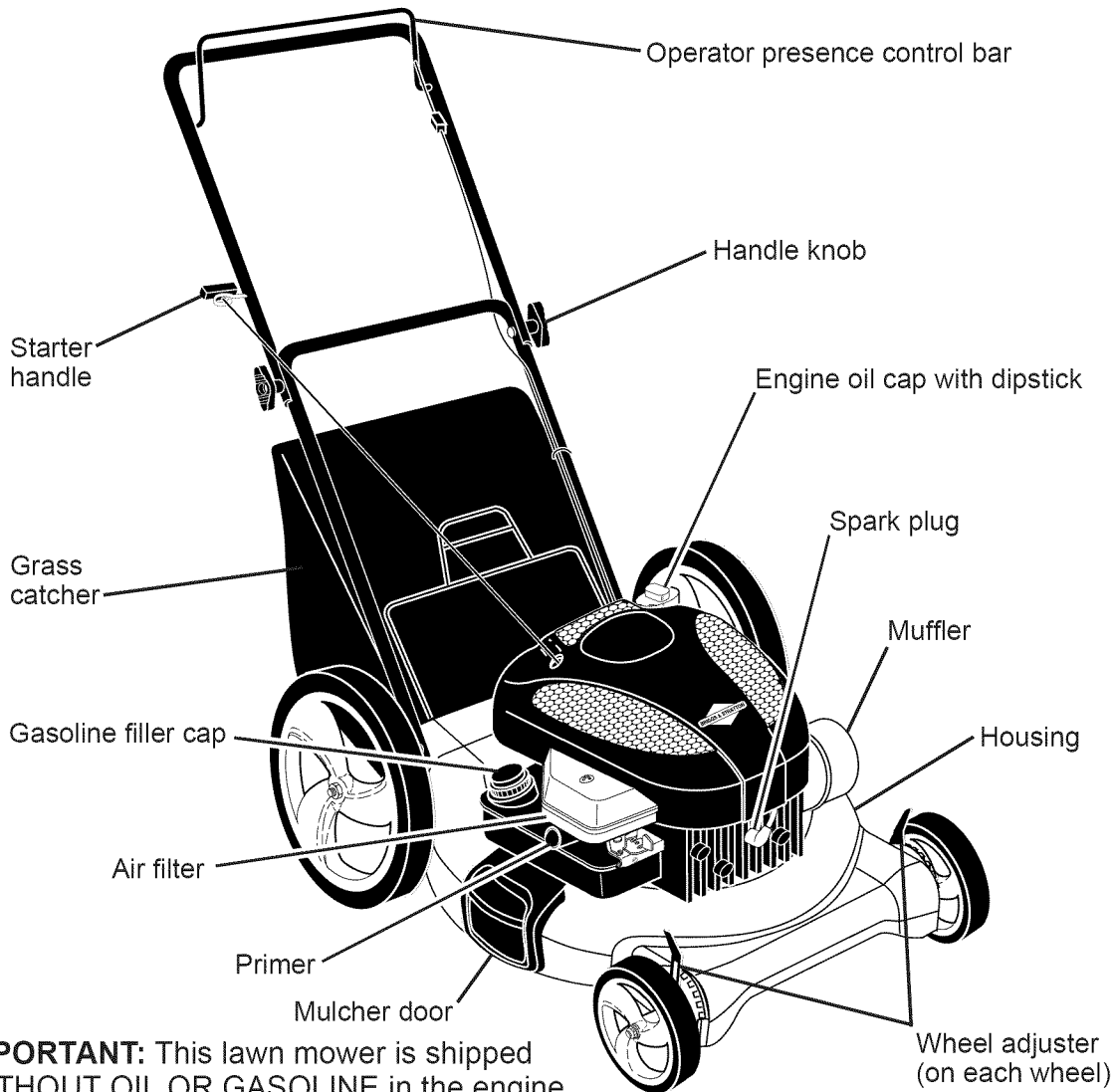
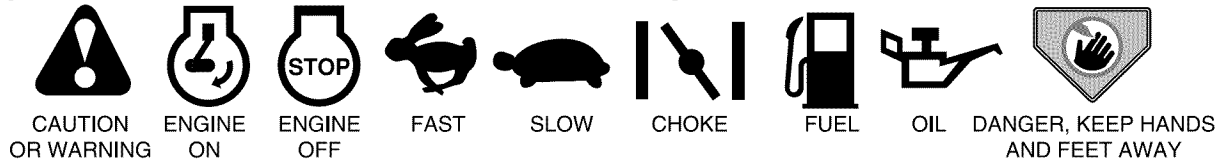
Your lawn mower was shipped ready to be used as a mulcher. To convert to bagging or discharging, see "TO CONVERT MOWER" in the Operation section of this manual.

OPERATION

KNOW YOUR LAWN MOWER

READ THIS OWNER'S MANUAL AND ALL SAFETY RULES BEFORE OPERATING YOUR LAWN MOWER. Compare the illustrations with your lawn mower to familiarize yourself with the location of various controls and adjustments. Save this manual for future reference.

These symbols may appear on your lawn mower or in literature supplied with the product. Learn and understand their meaning.



IMPORTANT: This lawn mower is shipped WITHOUT OIL OR GASOLINE in the engine.

MEETS CPSC SAFETY REQUIREMENTS

Sears rotary walk-behind power lawn mowers conform to the safety standards of the American National Standards Institute and the U.S. Consumer Product Safety Commission. The blade turns when the engine is running.

Operator presence control bar – must be held down to the handle to start the engine. Release to stop the engine.

Mulcher door – allows conversion to discharging or bagging operation.

Primer – pumps additional fuel from the carburetor to the cylinder for use when starting a cold engine.

Starter handle – used for starting engine.



The operation of any lawn mower can result in foreign objects thrown into the eyes, which can result in severe eye damage. Always wear safety glasses or eye shields while operating your lawn mower or performing any adjustments or repairs. We recommend a standard safety glasses or wide vision safety mask worn over spectacles.

HOW TO USE YOUR LAWN MOWER ENGINE SPEED

Engine speed was set at the factory for optimum performance. It is not adjustable.

ENGINE ZONE CONTROL

CAUTION: Federal regulations require an engine control to be installed on this lawn mower in order to minimize the risk of blade contact injury. Do not under any circumstances attempt to defeat the function of the operator control. The blade turns when the engine is running.

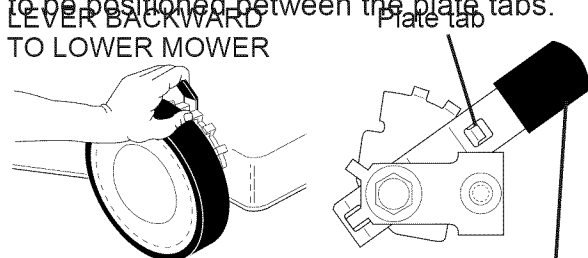
- Your lawn mower is equipped with an operator presence control bar which requires the operator to be positioned behind the lawn mower handle to start and operate the lawn mower.

TO ADJUST CUTTING HEIGHT

Raise wheels for low cut and lower wheels for high cut, adjust cutting height to suit your requirements. Medium position is best for most lawns.

- To change cutting height, squeeze adjuster lever toward wheel. Move wheel up or down to suit your requirements. Be sure all wheels are in the same setting.

NOTE: Adjuster is properly positioned when plate tab inserts into hole in lever. Also, 9-position adjusters (if so equipped) allow lever to be positioned between the plate tabs.



LEVER FORWARD TO RAISE MOWER Lever

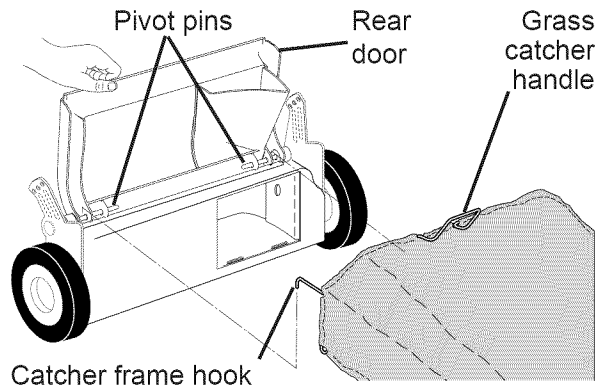
TO CONVERT MOWER

Your lawn mower was shipped ready to be used as a mulcher. To convert to bagging or discharging:

REAR BAGGING

- Lift rear door of the lawn mower and place the grass catcher frame hooks onto the door pivot pins.

- To convert to mulching or discharging operation, remove grass catcher and close rear door.



SIDE DISCHARGING

- Rear door must be closed.
- Open mulcher door and install discharge deflector under door as shown.
- Mower is now ready for discharging operation.
- To convert to mulching or bagging operation, discharge deflector must be removed and mulcher door must be closed.

SIMPLE STEPS TO REMEMBER WHEN CONVERTING YOUR LAWN MOWER

FOR MULCHING -

- Rear door closed.
- Mulcher door closed.

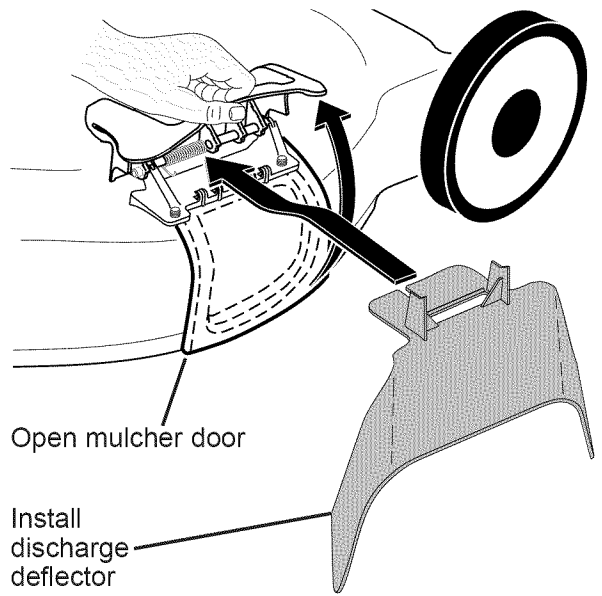
FOR REAR BAGGING -

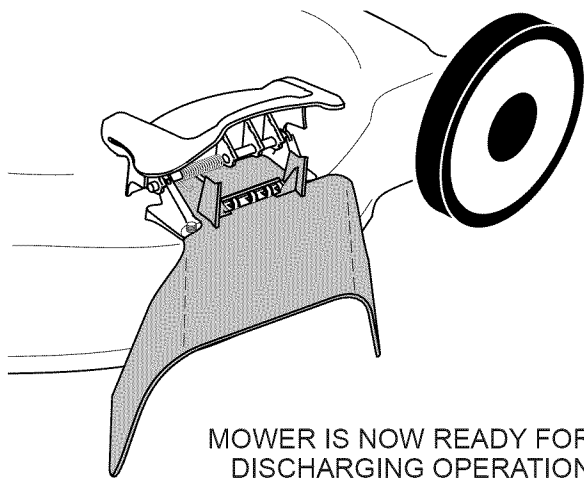
- Grass catcher installed.
- Mulcher door closed.

FOR SIDE DISCHARGING -

- Rear door closed.
- Discharge deflector installed.

CAUTION: Do not run your lawn mower without rear door closed, clipping deflector or approved grass catcher in place. Never attempt to operate the lawn mower with the rear door removed or propped open.



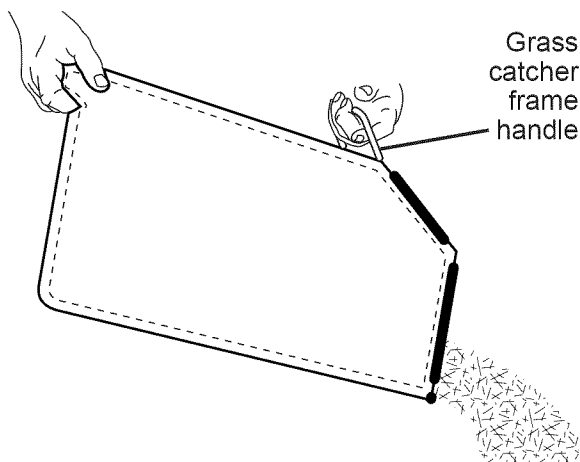


MOWER IS NOW READY FOR DISCHARGING OPERATION

TO EMPTY GRASS CATCHER

1. Lift up on grass catcher using the frame handle.
2. Remove grass catcher with clippings from under lawn mower handle.
3. Empty clippings from bag.

NOTE: Do not drag the bag when emptying; it will cause unnecessary wear.



BEFORE STARTING ENGINE ADD OIL

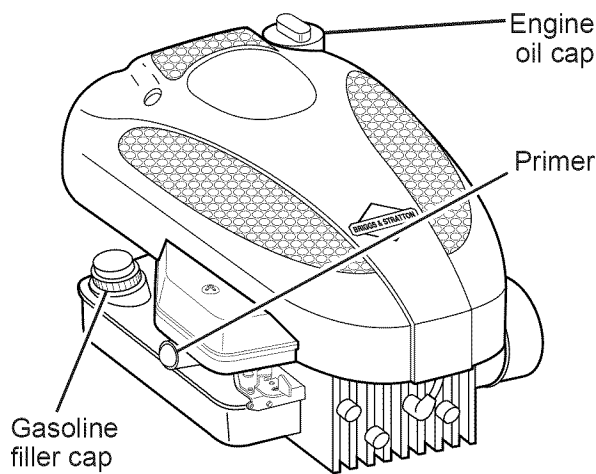
Your lawnmower is shipped without oil in the engine. For type and grade of oil to use, see "ENGINE" in the Maintenance section of this manual.

CAUTION: DO NOT overfill engine with oil, or it will smoke heavily from the muffler on startup.

1. Be sure lawnmower is level.
2. Remove oil dipstick from oil fill spout.
3. You receive a container of oil with the unit. Slowly pour the entire container down the oil fill spout into the engine.

NOTE: Initial oil fill requires only 18 oz. due to residual oil in engine from the manufacturer's 100% quality testing. When changing oil you may need 20 oz.

4. Insert and tighten dipstick.



IMPORTANT:

- Check oil level before each use. Add oil if needed. Fill to full line on dipstick.
- Change the oil after every 25 hours of operation or each season. You may need to change the oil more often under dusty, dirty conditions. See "TO CHANGE ENGINE OIL" in the Maintenance section of this manual.

ADD GASOLINE

- Fill fuel tank to bottom of tank filler neck. Do not overfill. Use fresh, clean, regular unleaded gasoline with a minimum of 87 octane. Do not mix oil with gasoline. Purchase fuel in quantities that can be used within 30 days to assure fuel freshness.

CAUTION: Wipe off any spilled oil or fuel. Do not store, spill or use gasoline near an open flame.

CAUTION: Alcohol blended fuels (called gasohol or using ethanol or methanol) can attract moisture which leads to separation and formation of acids during storage. Acidic gas can damage the fuel system of an engine while in storage. To avoid engine problems, the fuel system should be emptied before storage of 30 days or longer. Empty the gas tank, start the engine and let it run until the fuel lines and carburetor are empty. Use fresh fuel next season. See Storage Instructions for additional information. Never use engine or carburetor cleaner products in the fuel tank or permanent damage may occur.

TO STOP ENGINE

- To stop engine, release operator presence control bar.

TO START ENGINE

NOTE: Due to protective coatings on the engine, a small amount of smoke may be present during the initial use of the product and should be considered normal.

1. To start a cold engine, push primer three (3) times before trying to start. Use a firm push. This step is not usually necessary when starting an engine which has already run for a few minutes.
2. Hold operator presence control bar down to the handle and pull starter handle quickly. Do not allow starter rope to snap back.

NOTE: In cooler weather it may be necessary to repeat priming steps. In warmer weather over priming may cause flooding and engine will not start. If you do flood engine, wait a few minutes before attempting to start and do not repeat priming steps.

MOWING TIPS

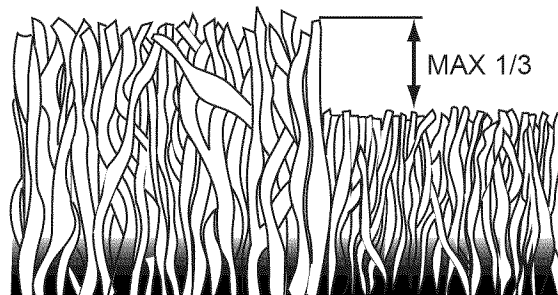
⚠ CAUTION: Do not use de-thatcher blade attachments on your mower. Such attachments are hazardous, will damage your mower and could void your warranty.

- Under certain conditions, such as very tall grass, it may be necessary to raise the height of cut to reduce pushing effort and to keep from overloading the engine and leaving clumps of grass clippings. It may also be necessary to reduce ground speed and/or run the lawn mower over the area a second time.
- For extremely heavy cutting, reduce the width of cut by overlapping previously cut path and mow slowly.
- For better grass bagging and most cutting conditions, the engine speed should be set in the FAST position.
- Pores in cloth grass catchers can become filled with dirt and dust with use and catchers will collect less grass. To prevent this, regularly hose catcher off with water and let dry before using.
- Keep top of engine around starter clear and clean of grass clippings and chaff. This will help engine air flow and extend engine life.

MULCHING MOWING TIPS

IMPORTANT: For best performance, keep mower housing free of built-up grass and trash. See “CLEANING” in the Maintenance section of this manual.

- The special mulching blade will recut the grass clippings many times and reduce them in size so that as they fall onto the lawn they will disperse into the grass and not be noticed. Also, the mulched grass will biodegrade quickly to provide nutrients for the lawn. Always mulch with your highest engine (blade) speed as this will provide the best recutting action of the blades.
- Avoid cutting your lawn when it is wet. Wet grass tends to form clumps and interferes with the mulching action. The best time to mow your lawn is the early afternoon. At this time the grass has dried, yet the newly cut area will not be exposed to direct sunlight.
- For best results, adjust the lawn mower cutting height so that the lawn mower cuts off only the top one-third of the grass blades. If the lawn is overgrown it will be necessary to raise the height of cut to reduce pushing effort and to keep from overloading the engine and leaving clumps of mulched grass. For extremely heavy grass, reduce your width of cut by overlapping previously cut path and mow slowly.



- Certain types of grass and grass conditions may require that an area be mulched a second time to completely hide the clippings. When doing a second cut, mow across (perpendicular) to the first cut path.
- Change your cutting pattern from week to week. Mow north to south one week then change to east to west the next week. This will help prevent matting and graining of the lawn.

MAINTENANCE

MAINTENANCE SCHEDULE		BEFORE EACH USE	AFTER EACH USE	EVERY 10 HOURS	EVERY 25 HOURS OR SEASON	EVERY 100 HOURS	BEFORE STORAGE
LAWN MOWER	Check for Loose Fasteners	✓					✓
	Clean / Inspect Grass Catcher *	✓	✓				✓
	Check Tires	✓					
	Check Drive Wheels ***	✓					
	Clean Lawn Mower ****		✓				✓
	Clean under Drive Cover ***			✓			
	Check Drive Belt / Pulleys ***				✓		
	Check / Sharpen / Replace Blade				✓ ₃		
	Lubrication				✓		
	Clean and Recharge Battery **				✓		✓ ₄
ENGINE	Check Engine Oil level	✓ ₅					
	Change Engine Oil				✓ _{1,2}		
	Clean Air Filter				✓ ₂		
	Inspect Muffler				✓		
	Replace Spark Plug					✓	
	Replace Air Filter Paper Cartridge					✓ ₂	
	Empty fuel system or add Stabilizer						✓

- * (if so equipped)
- ** Electric-Start mowers
- *** Power-Propelled mowers
- **** Use a scraper to clean under deck
- 1 - Change more often if operating under a heavy load or in high outdoor temperatures.
- 2 - Service more often if operating in dirty or dusty conditions.
- 3 - Replace blades more often when mowing in sandy soil.
- 4 - Charge 48 hours at end of season.
- 5 - And after each 5 hours of use.

GENERAL RECOMMENDATIONS

The warranty on this lawn mower does not cover items that have been subjected to operator abuse or negligence. To receive full value from the warranty, operator must maintain unit as instructed in this manual.

Some adjustments will need to be made periodically to properly maintain your unit.

At least once a season, check to see if you should make any of the adjustments described in the Service and Adjustments section of this manual.

- At least once a year, replace the spark plug, clean or replace air filter element and check blade for wear. A new spark plug and clean/new air filter element assure proper air-fuel mixture and help your engine run better and last longer.
- Follow the maintenance schedule in this manual.

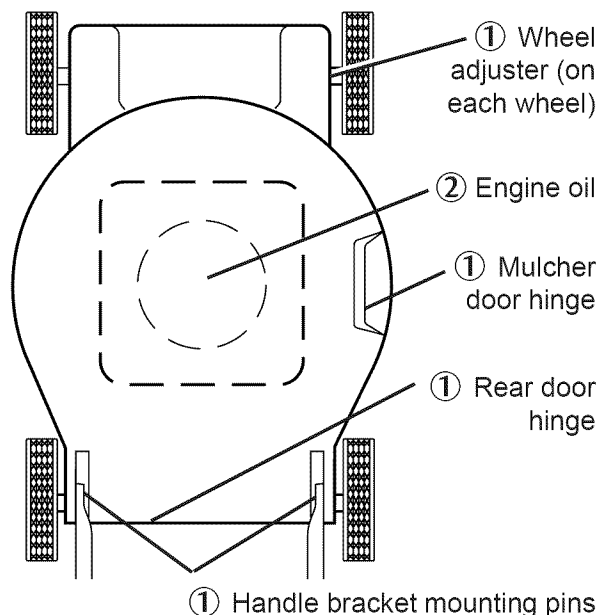
BEFORE EACH USE

- Check engine oil level.
- Check for loose fasteners.

LUBRICATION

Keep unit well lubricated (See "LUBRICATION CHART").

LUBRICATION CHART



- ① Spray lubricant
- ② See "ENGINE" in Maintenance section.

IMPORTANT: Do not oil or grease plastic wheel bearings. Viscous lubricants will attract dust and dirt that will shorten the life of the self-lubricating bearings. If you feel they must be lubricated, use only a dry, powdered graphite type lubricant sparingly.

LAWN MOWER

Always observe safety rules when performing any maintenance.

TIRES

- Keep tires free of gasoline, oil, or insect control chemicals which can harm rubber.
- Avoid stumps, stones, deep ruts, sharp objects and other hazards that may cause tire damage.

BLADE CARE

For best results, mower blade must be kept sharp. Replace bent or damaged blades.

⚠ CAUTION: Use only a replacement blade approved by the manufacturer of your mower. Using a blade not approved by the manufacturer of your mower is hazardous, could damage your mower and void your warranty.

TO REMOVE BLADE

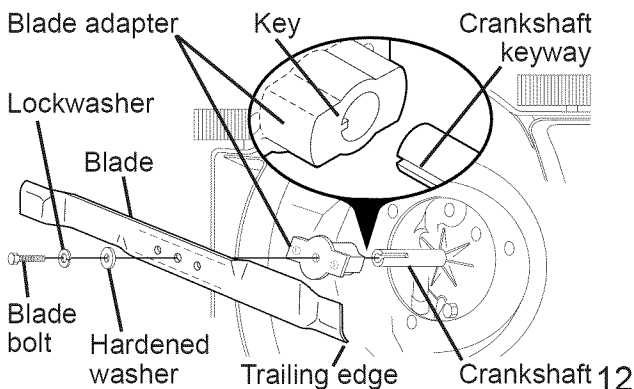
1. Disconnect spark plug wire from spark plug and place wire where it cannot come in contact with plug.
2. Turn lawn mower on its side. Make sure air filter and carburetor are up.
3. Use a wood block between blade and mower housing to prevent blade from turning when removing blade bolt.

NOTE: Protect your hands with gloves and/or wrap blade with heavy cloth.

4. Remove blade bolt by turning counter-clockwise.
5. Remove blade and attaching hardware (bolt, lock washer and hardened washer).

TO REPLACE BLADE

1. Position blade on the blade adapter aligning the two (2) holes in the blade with the raised lugs on the adapter.
 2. Be sure the trailing edge of blade (opposite sharp edge) is up toward the engine.
 3. Install the blade bolt with the lock washer and hardened washer into blade adapter and crankshaft.
 4. Use block of wood between blade and lawn mower housing and tighten the blade bolt, turning clockwise.
- The recommended tightening torque is 35-40 ft. lbs.



IMPORTANT: Blade bolt is heat treated. If bolt needs replacing, replace only with approved bolt shown in the Repair Parts section of this manual.

TO SHARPEN BLADE

NOTE: We do not recommend sharpening the blade - but if you do, be sure the blade is balanced. An unbalanced blade will cause eventual damage to lawn mower or engine.

- The blade can be sharpened with a file or on a grinding wheel. Do not attempt to sharpen while on the mower.
- To check blade balance, drive a nail into a beam or wall. Leave about one inch of the straight nail exposed. Place center hole of blade over the head of the nail. If blade is balanced, it should remain in a horizontal position. If either end of the blade moves downward, sharpen the heavy end until the blade is balanced.

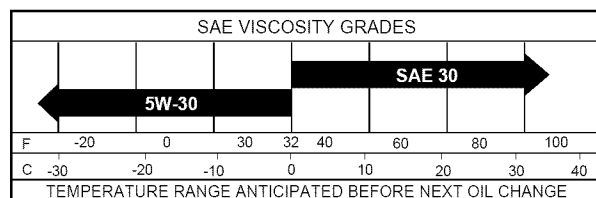
GRASS CATCHER

- The grass catcher may be hosed with water, but must be dry when used.
- Check your grass catcher often for damage or deterioration. Through normal use it will wear. If catcher needs replacing, replace only with approved replacement catcher shown in the Repair Parts section of this manual. Give the lawn mower model number when ordering.

ENGINE

LUBRICATION

Use only high quality detergent oil rated with API service classification SG-SL. Select the oil's SAE viscosity grade according to your expected operating temperature.



NOTE: Although multi-viscosity oils (5W30, 10W30 etc.) improve starting in cold weather, these multi-viscosity oils will result in increased oil consumption when used above 32°F. Check your engine oil level more frequently to avoid possible engine damage from running low on oil.

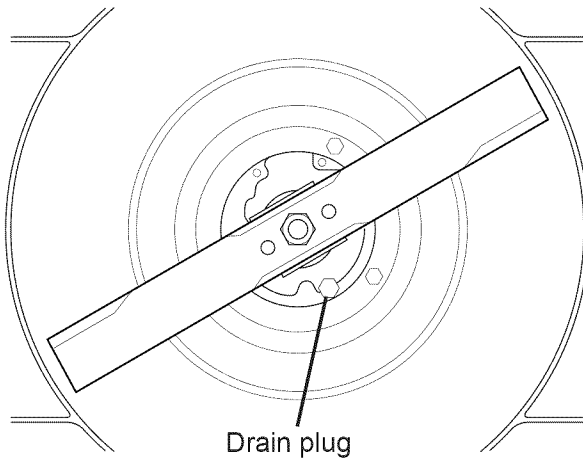
Check the crankcase oil level before starting the engine and after each five (5) hours of continuous use. Tighten oil plug securely each time you check the oil level.

TO CHANGE ENGINE OIL

1. Disconnect spark plug wire from spark plug and place wire where it cannot come in contact with plug.
2. Be sure lawn mower is on level surface.

NOTE: Oil will drain more freely when warm. Catch oil in a suitable container.

3. Remove bottom oil drain plug.
4. After oil has drained completely, replace oil drain plug and tighten securely.
5. Fill engine with oil. (See "ADD OIL" in the Operation section of this manual).
6. Reconnect spark plug wire to spark plug.



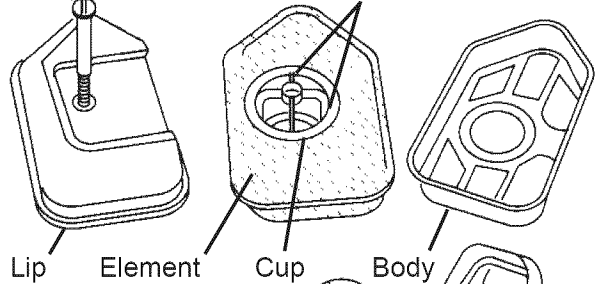
AIR FILTER

Your engine will not run properly and may be damaged by using a dirty air filter. Clean the element after every 25 hours of operation or every season. Replace the air filter every 100 hours of operation or every season, whichever occurs first. Service air cleaner more often under dusty conditions.

TO CLEAN AIR FILTER ELEMENT

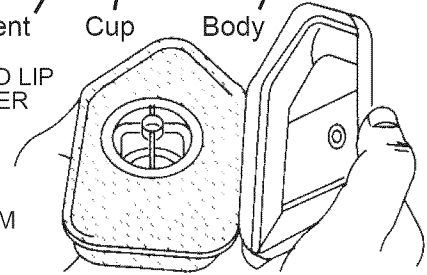
1. Remove screw.
2. Remove air cleaner carefully to prevent dirt from entering carburetor.
3. Take air cleaner apart and clean air filter element.
4. Wash filter element in liquid detergent and water.
5. Wrap filter element in cloth and squeeze dry.
6. Lightly coat filter element with clean engine oil. Squeeze in towel to remove excess oil. Do not saturate.
7. Reassemble parts and put back on carburetor.

Screw ASSEMBLE ONE OF THESE LOW POINTS TOWARDS NARROW EDGE OF ELEMENT



ASSEMBLE SO LIP EXTENDS OVER EDGE OF AIR CLEANER BODY

LIP WILL FORM PROTECTIVE SEAL WHEN COVER IS ASSEMBLED



MUFFLER

Inspect and replace corroded muffler as it could create a fire hazard and/or damage.

SPARK PLUG

Replace spark plug at the beginning of each mowing season or after every 100 hours of operation, whichever occurs first. Spark plug type and gap setting are shown in the "PRODUCT SPECIFICATIONS" section of this manual.

CLEANING

IMPORTANT: For best performance, keep mower housing free of built-up grass and trash. Clean the underside of your mower after each use.

CAUTION: Disconnect spark plug wire from spark plug and place wire where it cannot come in contact with plug.

- Clean the underside of your lawn mower by scraping to remove build-up of grass and trash.
- Clean engine often to keep trash from accumulating. A clogged engine runs hotter and shortens engine life.
- Keep finished surfaces and wheels free of all gasoline, oil, etc.
- We do not recommend using a garden hose to clean lawn mower unless the electrical system, muffler, air filter and carburetor are covered to keep water out. Water in engine can result in shortened engine life.

SERVICE AND ADJUSTMENTS

⚠ WARNING: To avoid serious injury, before performing any service and adjustments:

1. Release control bar and stop engine.
2. Make sure the blade and all moving parts have completely stopped.
3. Disconnect spark plug wire from spark plug and place wire where it cannot come in contact with plug.

LAWN MOWER

TO ADJUST CUTTING HEIGHT

See "TO ADJUST CUTTING HEIGHT" in the Operation section of this manual.

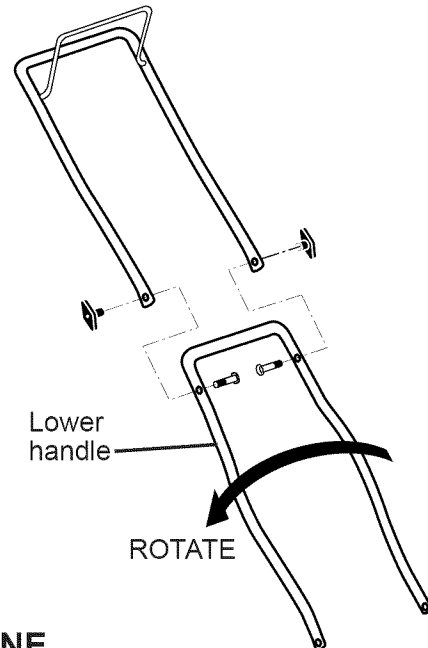
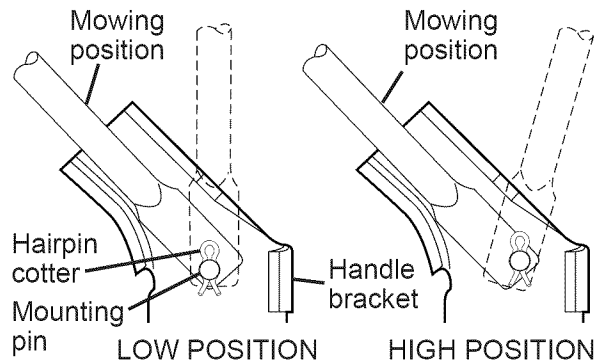
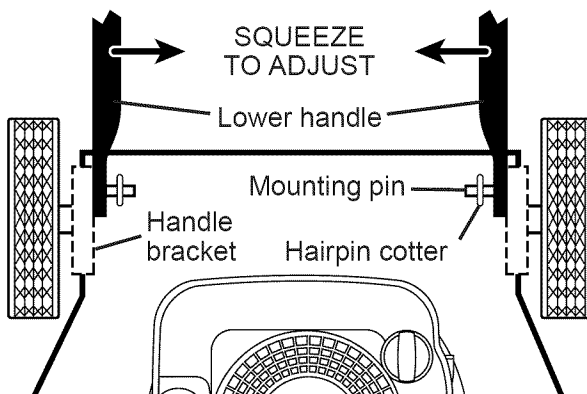
REAR DEFLECTOR

The rear deflector, attached between the rear wheels of your mower, is provided to minimize the possibility that objects will be thrown out of the rear of the mower into the operator mowing position. If the deflector becomes damaged, it should be replaced.

TO ADJUST HANDLE

The handle can be mounted in a high or low position. The mounting holes in the bottom of lower handle are off center for raising or lowering the handle.

1. Remove upper handle and all wire tie(s) securing cable(s) to lower handle.
2. Remove hairpin cotter from lower handle bracket mounting pin.
3. Squeeze lower handle in to remove it from mounting pins.
4. Turn lower handle over to raise or lower handle.
5. Squeeze lower handle in and position holes onto mounting pins on handle bracket.
6. Reassemble upper handle and all parts removed from lower handle.



ENGINE

ENGINE SPEED

Your engine speed has been factory set. Do not attempt to increase engine speed or it may result in personal injury. If you believe that engine is running too fast or too slow, take your mower to a Sears or other qualified service center for repair and adjustment.

CARBURETOR

Your carburetor is not adjustable. If your engine does not operate properly due to suspected carburetor problems, take your lawn mower to a Sears or other qualified service center for repair and/or adjustment.

IMPORTANT: Never tamper with the engine governor, which is factory set for proper engine speed. Overspeeding the engine above the factory high speed setting can be dangerous. If you think the engine-governed high speed needs adjusting, contact a Sears or other qualified service center, which has proper equipment and experience to make any necessary adjustments.

STORAGE

Immediately prepare your lawn mower for storage at the end of the season or if the unit will not be used for 30 days or more.

LAWN MOWER

When lawn mower is to be stored for a period of time, clean it thoroughly, remove all dirt, grease, leaves, etc. Store in a clean, dry area.

1. Clean entire lawn mower (See "CLEANING" in the Maintenance section of this manual).
2. Lubricate as shown in the Maintenance section of this manual.
3. Be sure that all nuts, bolts, screws, and pins are securely fastened. Inspect moving parts for damage, breakage and wear. Replace if necessary.
4. Touch up all rusted or chipped paint surfaces; sand lightly before painting.

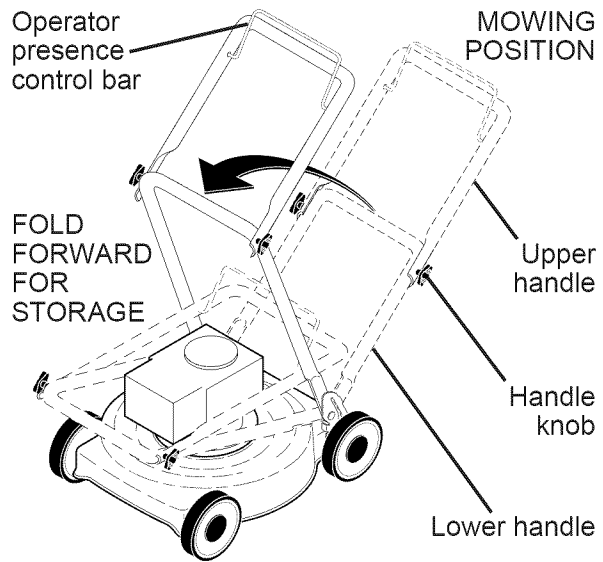
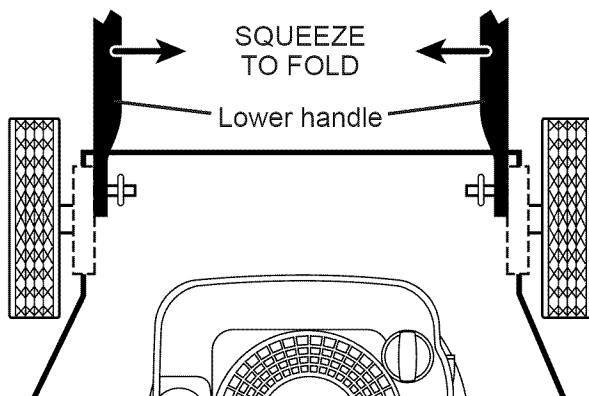
HANDLE

You can fold your lawn mower handle for storage.

1. Squeeze the bottom ends of the lower handle toward each other until the lower handle clears the handle bracket, then move handle forward.
2. Loosen upper handle mounting bolts enough to allow upper handle to be folded back.

IMPORTANT: When folding the handle for storage or transportation, be sure to fold the handle as shown or you may damage the control cables.

- When setting up your handle from the storage position, the lower handle will automatically lock into the mowing position.



ENGINE

FUEL SYSTEM

IMPORTANT: It is important to prevent gum deposits from forming in essential fuel system parts such as carburetor, fuel filter, fuel hose, or tank during storage. Alcohol blended fuels (called gasohol or using ethanol or methanol) can attract moisture which leads to separation and formation of acids during storage. Acidic gas can damage the fuel system of an engine while in storage.

- Empty the fuel tank by starting the engine and letting it run until the fuel lines and carburetor are empty.
- Never use engine or carburetor cleaner products in the fuel tank or permanent damage may occur.
- Use fresh fuel next season.

NOTE: Fuel stabilizer is an acceptable alternative in minimizing the formation of fuel gum deposits during storage. Add stabilizer to gasoline in fuel tank or storage container. Always follow the mix ratio found on stabilizer container. Run engine at least 10 minutes after adding stabilizer to allow the stabilizer to reach the carburetor. Do not empty the gas tank and carburetor if using fuel stabilizer.

ENGINE OIL

Drain oil (with engine warm) and replace with clean engine oil. (See "ENGINE" in the Maintenance section of this manual).

CYLINDER

1. Remove spark plug.
2. Pour one ounce (29 ml) of oil through spark plug hole into cylinder.
3. Pull starter handle slowly a few times to distribute oil.
4. Replace with new spark plug.

OTHER

- Do not store gasoline from one season to another.

- Replace your gasoline can if your can starts to rust. Rust and/or dirt in your gasoline will cause problems.
- If possible, store your unit indoors and cover it to protect it from dust and dirt.
- Cover your unit with a suitable protective cover that does not retain moisture. Do not use plastic. Plastic cannot breathe, which allows condensation to form and will cause your unit to rust.

IMPORTANT: Never cover mower while engine and exhaust areas are still warm.

CAUTION: Never store the lawn mower with gasoline in the tank inside a building where fumes may reach an open flame or spark. Allow the engine to cool before storing in any enclosure.

TROUBLESHOOTING - See appropriate section in manual unless directed to a Sears Parts & Repair Center.

PROBLEM	CAUSE	CORRECTION
Does not start	<ol style="list-style-type: none">1. Dirty air filter.2. Out of fuel.3. Stale fuel.4. Water in fuel.5. Spark plug wire is disconnected.6. Bad spark plug.7. Loose blade or broken blade adapter.8. Control bar in released position.9. Control bar defective.10. Fuel valve lever (if so equipped) in OFF position.11. Weak battery (if equipped).12. Disconnected battery connector (if equipped).	<ol style="list-style-type: none">1. Clean/replace air filter.2. Fill fuel tank.3. Empty fuel tank and refill tank with fresh, clean gasoline.4. Empty fuel tank and refill tank with fresh, clean gasoline.5. Connect wire to plug.6. Replace spark plug.7. Tighten blade bolt or replace blade adapter.8. Depress control bar to handle.9. Replace control bar.10. Turn fuel valve lever to the ON position.11. Charge battery.12. Connect battery to engine.

TROUBLESHOOTING - See appropriate section in manual unless directed to a Sears Parts & Repair Center.

PROBLEM	CAUSE	CORRECTION
Loss of power	<ol style="list-style-type: none"> 1. Rear of lawn mower housing or cutting blade dragging in heavy grass. 2. Cutting too much grass. 3. Dirty air filter. 4. Buildup of grass, leaves, and trash under mower. 5. Too much oil in engine. 6. Walking speed too fast. 	<ol style="list-style-type: none"> 1. Raise cutting height. 2. Raise cutting height. 3. Clean/replace air filter. 4. Clean underside of mower housing. 5. Check oil level. 6. Cut at slower walking speed.
Poor cut – uneven	<ol style="list-style-type: none"> 1. Worn, bent or loose blade. 2. Wheel heights uneven. 3. Buildup of grass, leaves and trash under mower. 	<ol style="list-style-type: none"> 1. Replace blade. Tighten blade bolt. 2. Set all wheels at same height. 3. Clean underside of mower housing.
Excessive vibration	<ol style="list-style-type: none"> 1. Worn, bent or loose blade. 2. Bent engine crankshaft. 	<ol style="list-style-type: none"> 1. Replace blade. Tighten blade bolt. 2. Contact a Sears or other qualified service center.
Starter rope hard to pull	<ol style="list-style-type: none"> 1. Engine flywheel brake is on when control bar is released. 2. Bent engine crankshaft. 3. Blade adapter broken. 4. Blade dragging in grass. 	<ol style="list-style-type: none"> 1. Depress control bar to upper handle before pulling starter rope. 2. Contact a Sears or other qualified service center. 3. Replace blade adapter. 4. Move lawn mower to cut grass or to hard surface.
Grass catcher not filling (if so equipped)	<ol style="list-style-type: none"> 1. Cutting height too low. 2. Lift on blade worn off. 3. Catcher not venting air. 	<ol style="list-style-type: none"> 1. Raise cutting height. 2. Replace blade. 3. Clean grass catcher.
Hard to push	<ol style="list-style-type: none"> 1. Grass is too high or wheel height is too low. 2. Rear of lawn mower housing or cutting blade dragging in grass. 3. Grass catcher too full. 4. Handle height position not right for you. 	<ol style="list-style-type: none"> 1. Raise cutting height. 2. Raise rear of lawn mower housing one (1) setting higher. 3. Empty grass catcher. 4. Adjust handle height to suit.

NEED MORE HELP?

You'll find the answer and more on managemyhome.com – for free!

- Find this and all your other product manuals online.
- Get answers from our team of home experts.
- Get a personalized maintenance plan for your home.
- Find information and tools to help with home projects.



brought to you by Sears

TABLA DE MATERIAS

Garantía.....	18	Programa de Mantenimiento	27
Reglas de Seguridad	18-20	Servicio y Ajustes	30
Especificaciones del Producto.....	20	Almacenamiento.....	31-32
Montaje / Pre-Operación	22	Identificación de problemas.....	32-33
Operación	23-26	Partes de repuesto	34-41
Mantenimiento.....	27-29	Servicio Sears	Contratapa

GARANTÍA

GARANTÍA TOTAL DE LA CORTADORA DE CÉSPED CRAFTSMAN POR 2 AÑOS

Si esta Segadora Craftsman llega a presentar algún desperfecto por defectos de materiales o fabricación durante un plazo de dos años a partir de la fecha de compra, llévela de vuelta a cualquiera de las tiendas Sears, al Centro de Repuestos y Reparación, o a otro comercio donde se vendan los equipos Craftsman, a efectos de que se la reparen sin costo (o bien se la reemplacen, en caso que no sea posible repararla).

Si esta Segadora llega a ser utilizada con fines comerciales o arrendada, la presente garantía tendrá vigencia por sólo 90 días a partir de la fecha de compra.

La presente garantía no cubre:

- Aquellas piezas fungibles que se desgastan por el uso normal, tales como las cuchillas rotatorias de la cortadora, los adaptadores de las cuchillas, las correas, los filtros de aire y las bujías.
- Aquellas reparaciones que haya que hacer debido a mal uso o negligencia por parte del operador, incluidos el árbol del cigüeñal torcido u omisiones relativas al armado, manejo o mantenimiento de la Segadora en un todo de acuerdo a las instrucciones provistas con el equipo.

La presente garantía se aplicará solamente en tanto el artículo sea usado en los Estados Unidos.

Esta garantía le otorga a usted derechos legales específicos; puede que usted tenga, además, otros derechos, los cuales varían de estado a estado.

Sears, Roebuck and Co., Hoffman Estates, IL 60179

REGLAS DE SEGURIDAD

IMPORTANTE: Esta maquina cortadora es capaz de amputar las manos y los pies y de lanzar objetos. Si no se observan las instrucciones de seguridad siguientes se pueden producir lesiones graves o la muerte.

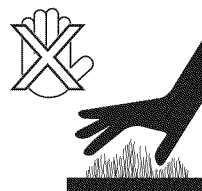
⚠ Busque este símbolo que señala las precauciones de seguridad de importancia. Quiere decir – ¡¡¡ATENCIÓN!!! ¡¡¡ESTE ALERTO!!! SU SEGURIDAD ESTA COMPROMETIDA.

⚠ **ADVERTENCIA:** Siempre desconecte el alambre de la bujía y póngalo donde no pueda entrar en contacto con la bujía, para evitar el arranque por accidente, durante la preparación, el transporte, el ajuste o cuando se hacen reparaciones.

⚠ **ADVERTENCIA:** Los bornes, terminales y accesorios relativos de la batería contienen plomo o compuestos de plomo, productos químicos conocidos en el Estado de California como causa de cáncer y defectos al nacimiento u otros daños reproductivos. **Lavar las manos después de manipularlos.**

⚠ **PRECAUCIÓN:** El tubo de escape del motor, algunos de sus constituyentes y algunos componentes del vehículo contienen o desprenden productos químicos conocidos en el Estado de California como causa de cáncer y defectos al nacimiento u otros daños reproductivos.

⚠ **PRECAUCIÓN:** El silenciador y otras piezas del motor llegan a ser extremadamente calientes durante la operación y siguen siendo calientes después de que el motor haya parado. Para evitar quemaduras severas, permanezca lejos de estas áreas.



I. OPERACION

- Antes de empezar, debe familiarizarse completamente con los controles y el uso correcto de la maquina. Para esto, debe leer y comprender todas las instrucciones que aparecen en la maquina y en los manuales de operación.
- No ponga las manos o los pies cerca o debajo de las partes rotatorias. Manténgase siempre lejos de la abertura de la descarga.
- Permita que solamente las personas responsables que estén familiarizadas con las instrucciones operen la máquina.
- Despeje el área de objetos tales como piedras, juguetes, alambres, huesos, palos, etc. que pueden ser recogidos y lanzados por las cuchillas.
- Asegúrese que el área no se hallen personas, antes de segar. Pare la máquina si alguien entra en el área.
- No opere la maquina sin zapatos o con sandalias abiertas. Póngase siempre zapatos sólidos.
- No tire de la segadora hacia atrás a menos que sea absolutamente necesario. Mire siempre hacia abajo y hacia detrás antes y mientras que se mueve hacia atrás.
- Nunca dirigir el material descargado hacia las personas. Evitar descargar material contra paredes o barreras. El material puede retornar al operador. Para la cuchilla cuando se pasa por superficies de grava.
- No opere la segadora sin los respectivos resguardos, las placas, el recogedor de césped u otros aditamentos diseñados para su protección y seguridad.
- Refiérase a las instrucciones del fabricante para el funcionamiento e instalación de accesorios. Use únicamente accesorios aprobados por el fabricante.
- Detenga la cuchilla o las cuchillas cuando cruce por calzadas, calles o caminos de grava.
- Parar el motor cada vez que se abandona el aparato, antes de limpiar la segadora o de remover residuos del tubo.
- Apagar el motor y esperar hasta que las cuchillas estén completamente paradas antes de remover el receptor de hierba.
- Segar solamente con luz del día o con una buena luz artificial.
- No opere la máquina bajo la influencia del alcohol o de las drogas.
- Nunca opere la maquina cuando la hierba esté mojada. Asegúrese siempre de tener buena tracción en sus pies; mantenga el mango firmemente y camine; nunca corra.
- Desconectar el mecanismo de propulsión autónoma o el embrague de transmisión en las segadoras que lo tienen antes de poner en marcha el motor.
- Si el equipo empezara a vibrar de una manera anormal, pare el motor y revise de inmediato para averiguar la causa. Generalmente la vibración suele indicar que existe alguna avería.

- Siempre use gafas de seguridad o anteojos con protección lateral cuando opere la segadora.

II. OPERACION SOBRE LAS CUESTAS

Los accidentes ocurren con más frecuencia en las cuestas. Estos accidentes ocurren debido a resbaladas o caídas, las cuales pueden resultar en graves lesiones. Operar la recortadora en cuestas requiere mayor concentración. Si se siente inseguro en una cuesta, no la recorte.

HACER:

- Puede recortar a través de la superficie de la cuesta, nunca hacia arriba y hacia abajo. Proceda con extrema precaución cuando cambie de dirección en las cuestas.
- Renueva todos los objetos extraños, tales como guijarros, ramas, etc.
- Debe prestar atención a hoyos, baches o protuberancias. Recuerde que la hierba alta puede esconder obstáculos.

NO HACER:

- No recorte cerca de pendientes, zanjas o terraplenes. El operador puede perder la tracción en los pies o el equilibrio.
- No recorte cuestas demasiado inclinadas.
- No recorte en hierba mojada. La reducción en la tracción de la pisada puede causar resbalones.

III. NIÑOS

Se pueden producir accidentes trágicos si el operador no presta atención a la presencia de los niños. A menudo, los niños se sienten atraídos por la máquina y por la actividad de la siega. Nunca suponga que los niños van a permanecer en el mismo lugar donde los vio por última vez.

- Mantenga a los niños alejados del área de la siega y bajo el cuidado estricto de otra persona adulta responsable.
- Esté alerta y apague la máquina si hay niños que entran al área.
- Antes y cuando este retrocediendo, mire hacia atrás y hacia abajo para verificar si hay niños pequeños.
- Nunca permita que los niños operen la máquina.
- Tenga un cuidado extra cuando se acerque a esquinas donde no hay visibilidad, a los arbustos, árboles u otros objetos que pueden interferir con su línea de visión.

IV. MANEJO SEGURO DE GASOLINA

Usar mucha atención cuando se maneja gasolina. La gasolina es extremadamente inflamable y los vapores son explosivos.

- Apagar todos los cigarrillos, cigarros, pipas y otras fuentes de ignición.
- Usar solo un contenedor apropiado.
- Nunca quitar el tapón de la gasolina o añadir carburante con el motor en marcha. Esperar que el motor se enfríe antes de repostar la gasolina.

- Nunca repostar la máquina al interior de un local.
- Nunca guardar la máquina o el contenedor de gasolina donde hay una llama abierta, chispa o luz piloto como una caldera u otros dispositivos.
- Nunca llenar contenedores en un vehículo, en un camión o caravana con un forro de plástico. Colocar siempre los contenedores en el suelo lejos de su vehículo antes de llenar.
- Quitar equipos que funcionan con gasolina del camión o caravana y repostar en el suelo. Si esto no es posible, repostar dicho equipo con un contenedor portátil, más bien que con una tobera de gasolina.
- Mantener la tobera en contacto con el bordo del depósito de carburante o de la apertura del contenedor siempre hasta terminar el abastecimiento. No usar un dispositivo de cierre-apertura de la tobera.
- Si el carburante cae en la ropa que se lleva, cambiársela inmediatamente.
- Nunca llenar en exceso el depósito de carburante. Colocar el tapón de la gasolina y apretar de modo seguro.
- Mantenga las tuercas y los pernos, especialmente los pernos del accesorio de la cuchilla, apretados y mantenga el equipo en buenas condiciones.
- Nunca manipule de forma indebida los dispositivos de seguridad. Controle regularmente su funcionamiento correcto.
- Mantenga la máquina libre de hierba, hojas u otras acumulaciones de desperdicio. Limpie los derrames de aceite o combustible. Permita que la máquina se enfríe antes de almacenarla.
- Pare e inspeccione el equipo si le pega a un objeto. Repárelo, si es necesario, antes de hacerlo arrancar.
- En ningún caso hay que regular la altura de las ruedas mientras el motor está en marcha.
- Los componentes del receptor de la hierba van sujetos a desgaste, daños y deterioro, que pueden exponer las partes en movimiento o permitir que objetos sean disparados. Controlar frecuentemente y cuando sea necesario sustituir con partes aconsejadas por el fabricante.
- Las cuchillas de la segadora están afiladas y pueden cortar. Cubrir las hojas o llevar guantes, y utilizar precauciones especiales cuando se efectúa mantenimiento sobre las mismas.
- No cambie el ajuste del regulador del motor ni exceda su velocidad.
- Mantener o sustituir las etiquetas de seguridad e instrucciones, cuando sea necesario.

V. SERVICIO

- Nunca haga funcionar una máquina dentro de un área cerrada.
- Nunca haga ajustes o reparaciones mientras el motor esté en marcha. Desconecte el cable de la bujía, y manténgalo a cierta distancia de ésta para prevenir un arranque accidental.

⚠ADVERTENCIA: Este segadora viene equipado con un motor de combustión interna y no se debe usar sobre, o cerca, de un terreno no desarrollado cubierto de bosques, de arbustos o de césped, o menos que el sistema de escape del motor venga equipado con un amortiguador de chispas que cumpla con las leyes locales o estatales (si existen). Si se usa un amortiguador de chispas, el operador debe mantenerlo en condiciones de trabajo eficientes. En el estado de California, la ley exige lo anterior (Sección 4442 del "California Public Resources Code"). Otros estados pueden contar con otras leyes parecidas. Las leyes federales se aplican en la tierras federales. Su centro de Servicio más cercano tiene disponible amortiguadores de chispas para el silenciador (Vea la sección de PARTES DE REPUESTO en el manual Inglés del dueño).

ESPECIFICACIONES DEL PRODUCTO

Número de Serie:	
Fecha de Compra:	
Capacidad y Tipo de Gasolina:	1.0 Cuartos (Regular sin Plomo)
Tipo de Aceite (API SG-SL):	SAE 30 (Sobre 32°F); SAE 5W-30 (Debajo 32°F)
Capacidad de Aceite:	20 Onzas
Bujía (Abertura: .030")	Champion RJ19LM o J19LM
Torsión del Perno de la Cuchilla:	35-40 ft. lbs.

- El número del modelo y el de serie se encuentran en la calcomanía adjunta a la parte trasera de la caja de la segadora. Debe registrar tanto el número de serie como la fecha de compra y manténgalos en un lugar seguro para referencia en el futuro.

Acuerdos de Protección para la Reparación

Congratulaciones por su buena compra. Su nuevo producto Craftsman® está diseñado y fabricado para funcionar de modo fiable por muchos años. Pero como todos los productos, puede necesitar alguna reparación de tanto en tanto. En este caso tener un Acuerdo de Protección para la Reparación puede hacerles ahorrar dinero y fastidios.

Compre ahora un Acuerdo de Protección para la Reparación y protéjese de molestias y gastos inesperados.

Un Acuerdo incluye los puntos siguientes:

- **Servicio experto** de nuestros 12.000 especialistas profesionales en la reparación.
- **Servicio ilimitado sin cargo alguno** para las partes y la mano de obra sobre todas las reparaciones garantizadas.
- **Sustitución del producto** si su producto garantizado no puede ser arreglado.
- **Descuento del 10%** sobre el precio corriente del servicio y de las partes relativas al servicio no cubiertas por el acuerdo; también el 10% menos sobre el precio corriente de un control de mantenimiento preventivo.

- **Ayuda rápida por teléfono** – soporte telefónico por parte de un representante Sears sobre productos que requieren un arreglo en casa, y además una programación sobre los a reglos más convenientes.

Cuando se ha comprado el Acuerdo, basta con una llamada telefónica para programar el servicio. Puede llamar cuando quiera, día y noche o fijar en línea una cita para obtener el servicio.

Sears tiene más de 12.000 especialistas profesionales en la reparación, que tienen acceso a más de 4.5 millones de partes y accesorios de calidad. Este es el tipo de profesionalidad con que puede contar para ayudar a alargar la vida del producto que acaba de comprar, por muchos años. ¡Compre hoy su Acuerdo de Protección para la Reparación!

Se aplican algunas limitaciones y exclusiones. Para conocer los precios y tener más información, llame al 1-800-827-6655.

Servicio de Instalación Sears

Para la instalación profesional Sears de aparatos de casa, puertas de garaje, calentadores de agua y otros importantes artículos para la casa, en U.S.A. llamar a 1-800-4-MY-HOME®.

ACCESORIOS PARA LA SEGADORA

Estos accesorios estaban disponibles cuando se produjo la segadora. **No son facilitados junto al cortacesped.** También están disponibles en la mayoría de las tiendas de Sears y en los centros de servicio. Algunos de estos accesorios tal vez no se apliquen a su segadora.

RENDIMIENTO DE LA SEGADORA

 <p>DESVIADOR DE RECORTES PARA SEGADORAS CON DESCARGA TRASERA</p>	 <p>ESTABILIZADORES</p>	 <p>ENVASES DE GASOLINA</p>
 <p>RECORDOR PARA SEGADORAS CON DESCARGA TRASERA</p>	 <p>RECORDOR PARA SEGADORAS CON DESCARGA LATERAL</p>	

MANTENIMIENTO DE LA SEGADORA

 <p>SILENCIADORES</p>			 <p>FILTROS DE AIRE</p>		 <p>BUJÍAS</p>
 <p>CORREAS</p>	 <p>CUCHILLAS</p>	 <p>ADAPTADORES DE CUCHILLA</p>	 <p>RUEDAS</p>	 <p>ACEITE DEL MOTOR</p>	

MONTAJE / PRE-OPERACIÓN

Lea estas instrucciones y este manual completamente antes de tratar de montar u operar su segadora nueva.

IMPORTANTE: Este cortacésped viene SIN ACEITE O GASOLINA en el motor.

Su segadora nueva ha sido montada en la fábrica con la excepción de aquellas partes que se dejaron sin montar por razones de envío. Todas las partes como las tuercas, las arandelas, los pernos, etc., que son necesarias para completar el montaje han sido colocadas en la bolsa de partes. Para asegurarse que su segadora funcione en forma segura y adecuada, todas las partes y los artículos de ferretería que se monten tienen que ser apretados seguramente. Use las herramientas correctas, como sea necesario, para asegurar que se aprieten adecuadamente.

PARA REMOVER LA SEGADORA DE LA CAJA DE CARTÓN

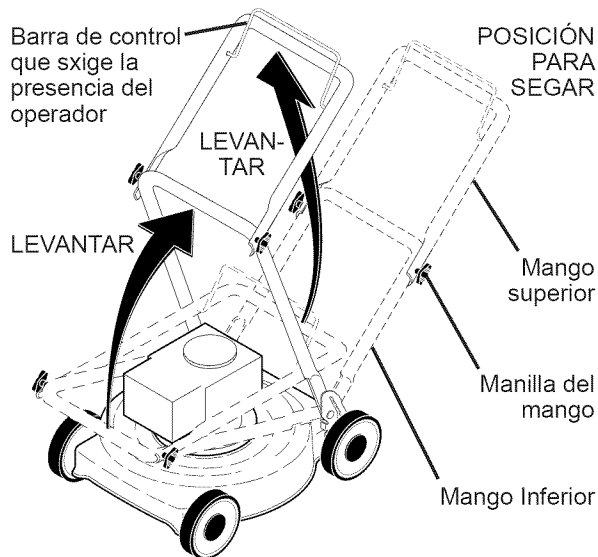
1. Remueva las partes sueltas que se incluyen con la segadora.
2. Corte las dos esquinas de los extremos de la caja de cartón y tienda el panel del extremo plano.
3. Remueva todo el material de empaque, excepto la cuña entre el mango superior y el inferior, y la cuña que sujeta la barra de los control que exige la presencia del operador junto con el mango superior.
4. Haga rodar la segadora hacia afuera de la caja de cartón y revísela cuidadosamente para verificar si todavía quedan partes sueltas adicionales.

COMO PREPARAR SU SEGADORA PARA DESDOBLAR EL MANGO

IMPORTANTE: Despliegue el mango con mucho cuidado para no pellizcar o dañar los cables de control.

1. Levante los mangos hasta que la sección del mango inferior se asegure en su lugar, en la posición para segar.
2. Remueva la cuña protectora, levante la sección del mango superior hasta su lugar en el mango inferior, y apriete ambas manillas del mango.
3. Remueva la cuña del mango que sujeta la barra de los control que exige la presencia del operador junto con el mango superior.

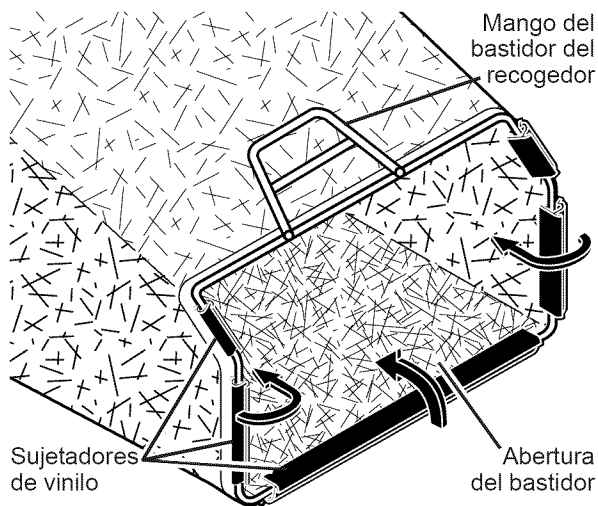
El mango de la segadora puede ajustarse según le acomode para segar. Refiérase a "AJUSTE DEL MANGO" en la sección de Servicio y Ajustes de este manual.



PARA MONTAR EL RECOGEDOR DE CÉSPED

1. Ponga el bastidor del recogedor de césped en la bolsa del césped con la parte rígida de la bolsa en la parte inferior. Asegúrese que el mango del bastidor esté en el exterior de la parte superior de la bolsa.
2. Deslice los sujetadores de vinilo sobre el bastidor.

AVISO: Si los sujetadores de vinilo están muy duros, métalos en agua caliente por algunos minutos. Si se moja la bolsa, déjela que se seque antes de usarla.



PARA INSTALAR LOS ACCESORIOS

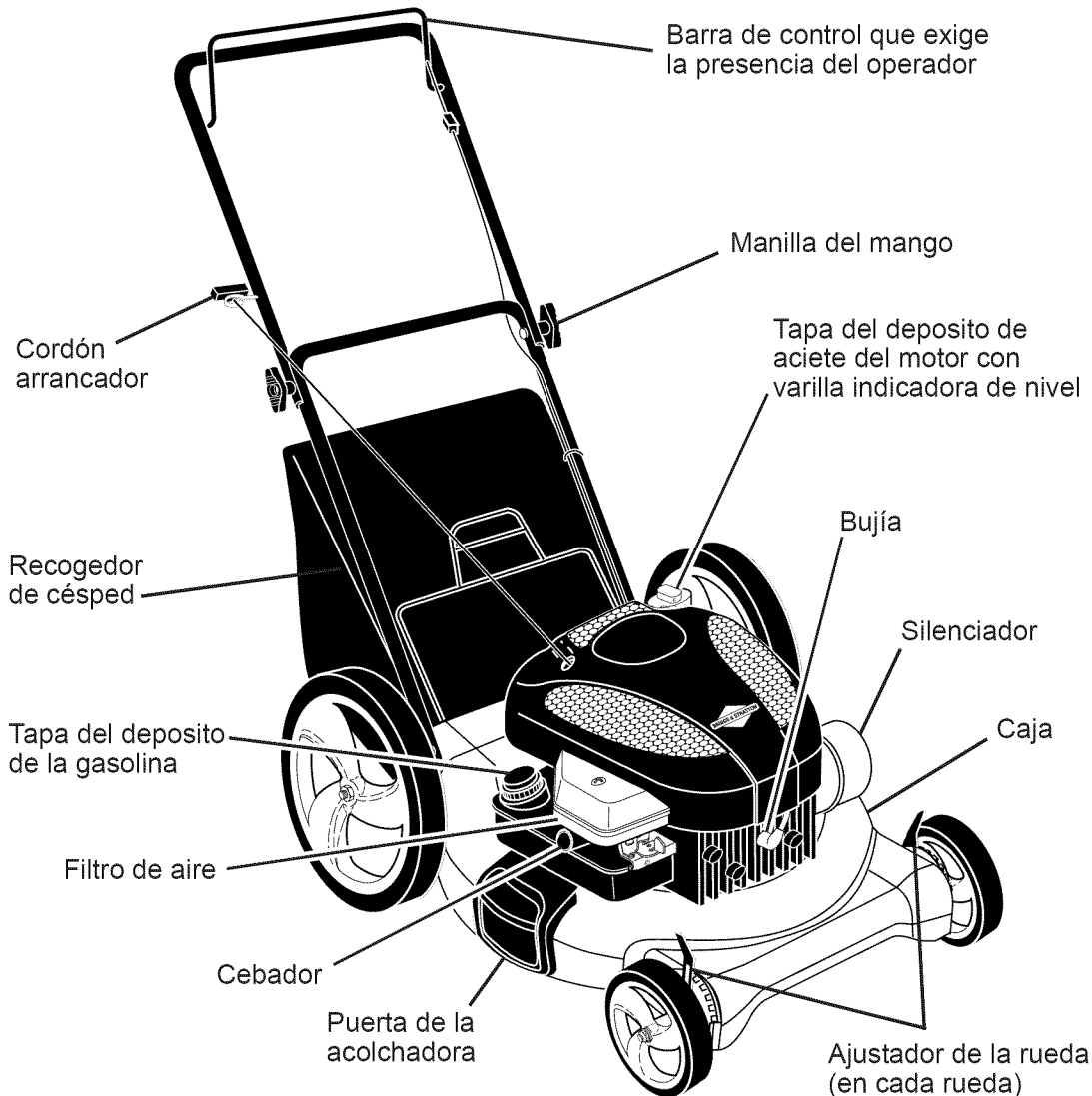
Su segadora fue enviada lista para usarse como una acolchadora de capa vegetal. Para convertir la de modo que pueda ensacar o descargar, refiérase a "PARA CONVERTIR LA SEGADORA" en la sección de Operación de este manual.

OPERACIÓN

FAMILIARICÉSE CON SU SEGADORA

LEA ESTE MANUAL DEL DUEÑO Y LAS REGLAS DE SEGURIDAD ANTES DE OPARAR SU SEGADORA. Compare las ilustraciones con su segadora para familiarizarse con la ubicación de los diversos controles y ajustes. Guarde este manual para referencia en el futuro.

Estos símbolos pueden aparecer sobre su segadora o en la literatura proporcionada con el producto. Aprenda y comprenda sus significados.



IMPORTANTE: Este cortacésped viene SIN ACEITE O GASOLINA en motor.

CUMPLE CON LOS REQUISITOS DE SEGURIDAD DE LA CPSC

Las segadoras a motor, que se conducen desde la parte de atrás, rotatorias, Sears, cumplen con los estándares de seguridad del American National Standards Institute y de la U.S. Consumer Product Safety Commission. La cuchilla gira cuando el motor está funcionando.

Barra de control que exige la presencia del operador – tiene que sujetarse abajo, junto con el mango, para hacer arrancar el motor. Suéltela para parar el motor.

Cordón arrancador – se usa para hacer arrancar el motor.

Cebador – bombea combustible adicional desde el carburador al cilindro para uso cuando se necesita hacer arrancar un motor frío.

Puerta de la acolchadora – permite la conversión para la operación de descarga o ensacado.



La operación de cualquier segadora puede hacer que salten objetos extraños dentro de sus ojos, lo que puede producir daños graves en éstos. Siempre

use anteojos de seguridad o protección para los ojos mientras opere su segadora o cuando haga ajustes o reparaciones. Recomendamos gafas o una máscara de seguridad de visión amplia de seguridad usada sobre las gafas.

COMO USAR SU SEGADORA

VELOCIDAD DEL MOTOR

La velocidad del motor se estableció en la fábrica para un rendimiento óptimo. La velocidad no se puede ajustar.

CONTROL DE ZONA DEL MOTOR

⚠ PRECAUCIÓN: Las regulaciones federales exigen que se instale un control para el motor en esta segadora para reducir a un mínimo el riesgo de lesionarse debido al contacto con la cuchilla. Por ningún motivo trate de eliminar la función del control del operador. La cuchilla gira cuando el motor está funcionando.

- Su segadora viene equipada con una barra de controles que exigen la presencia del operador, lo que requiere que el operador esté detrás del mango de la segadora para hacerla arrancar y operarla.

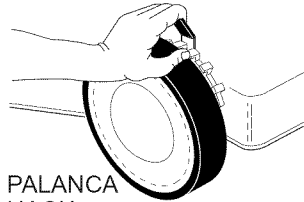
PARA AJUSTAR LA ALTURA DE CORTE

Levante las ruedas para el corte bajo y baje las ruedas para el corte alto., ajuste la altura de corte para que se acomode a sus requisitos. La posición del medio es la mejor para la mayoría de los céspedes.

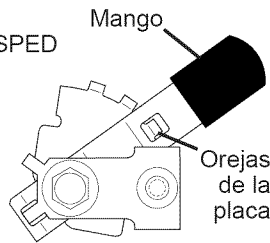
- Para cambiar la altura de corte, empuje la palanca del ajustador hacia la rueda. Mueva la rueda hacia arriba o hacia abajo de modo que se acomode a sus requisitos. Asegúrese que todas las ruedas queden igualmente ajustadas.

AVISO: El ajustador esta correctamente colocado cuando las orejas de la placa están insertadas en el agujero del mango. También, los ajustes de 9 posiciones (si equipado) permiten que el mango pueda ser movido entre las orejas de la placa.

PALANCA HACIA ATRÁS
PARA BAJAR EL CORTACÉSPED



PALANCA
HACIA
ADELANTE PARA LEVANTAR EL CORTACÉSPED



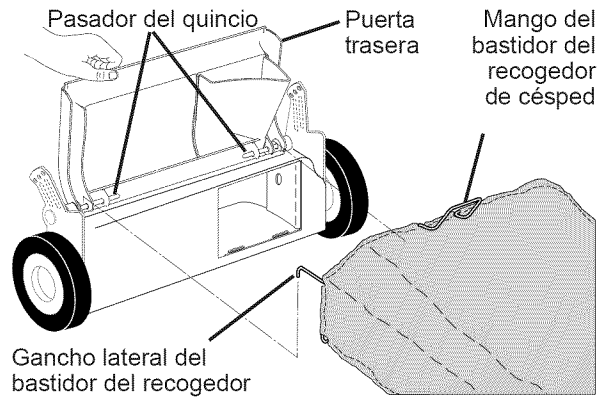
PARA CONVERTIR LA SEGADORA

Su segadora fue enviada lista para usarse como acolchadora de capa vegetal. Para convertirla a una operación de ensacado o de descarga:

SEGADORAS CON DESCARGA TRASERA

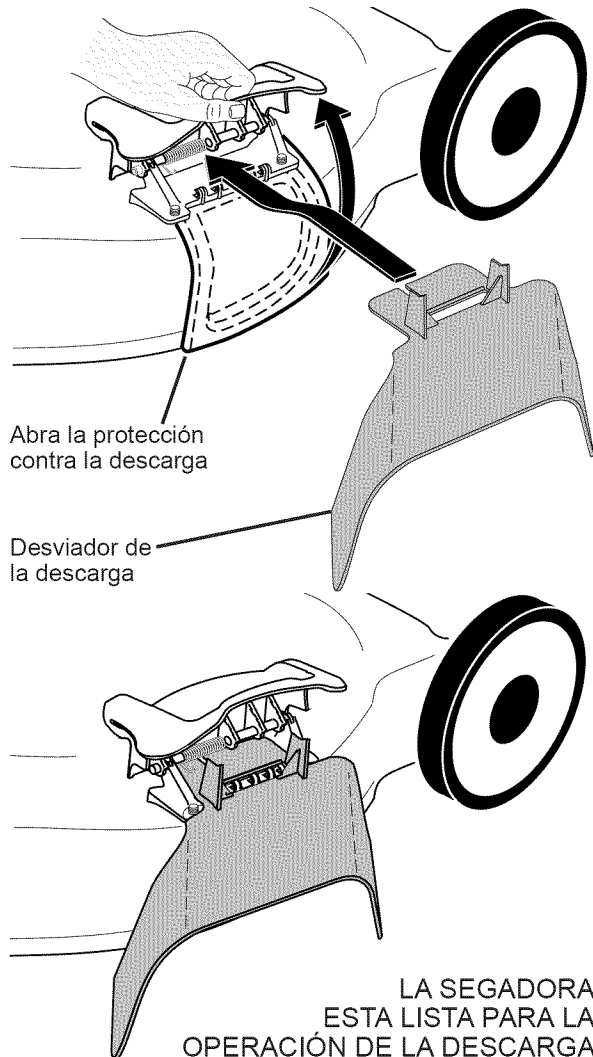
- Levantar la puerta trasera de cortacésped y colocar los ganchos del armazón de la recolectora de hierba en los pasadores del quicio de la puerta.

- Para pasar a la operación de acolchamiento, remover la recolectora de hierba y cerrar la puerta trasera.



SEGADORAS CON DESCARGA LATERAL

- La puerta trasera tiene que estar cerrada.
- Abra la protección contra la descarga e instale el desviador de contra la descarga debajo de la protección como se muestra.
- La segadora esta lista para la operación de la descarga.
- Para convertir a la operación de ensacado o de descarga, el desviador de la descarga debe ser removido y la protección contra la descarga debe estar cerrada.



PASOS SIMPLES DE RECORDAR CUANDO CONVIERTA SU SEGADORA PARA ACOLCHAMIENTO -

1. La plancha acolchadora trasera instalada.
2. La protección contra la descarga cerrada.

PARA ENSACAMIENTO TRASERO -

1. La plancha acolchadora trasera removida.
2. Recogedor del césped instalado.
3. La protección contra la descarga cerrada.

PARA DESCARGA LATERAL-

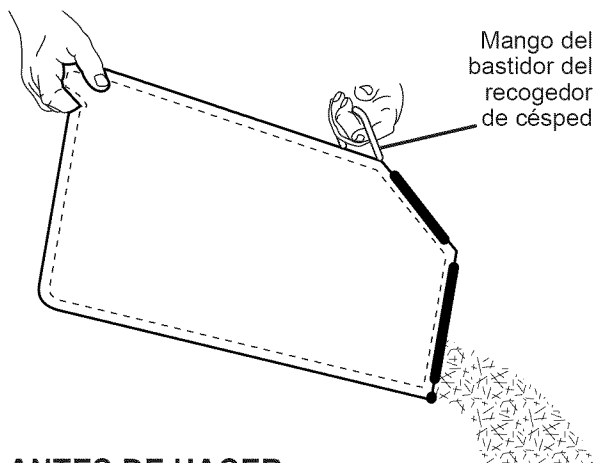
1. La plancha acolchadora trasera instalada.
2. La desviador de la descarga instalada.

⚠ PRECAUCIÓN: No haga funcionar su segadora sin la placa de la acolchadora, el desviador de recortes o sin el recogedor césped aprobados en su lugar. Nunca trate de operar la segadora cuando se halla removido la puerta trasera o cuando se ha removido a puerta trasera o cuando está un poco abierta.

PARA VACIAR EL RECOGEDOR DE CÉSPED

1. Levante el recogedor de césped usando el mango del bastidor.
2. Remueva el recogedor de césped, con los recortes, de debajo del mango de la segadora.
3. Vacíe los recortes de la bolsa.

AVISO: No arrastre la bolsa cuando la vacíe; se producirá un desgaste innecesario.



ANTES DE HACER ARRANCAR EL MOTOR

AGREGUE ACEITE

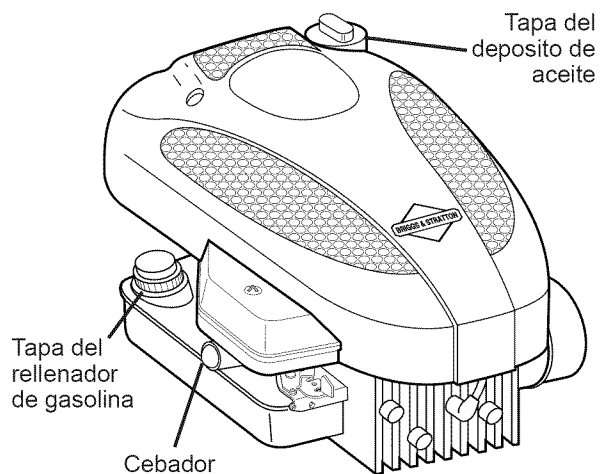
Su segadora fue enviada sin aceite en el motor. Para el tipo y el grado del aceite a utilizar, vea el "MOTOR" en la sección del Mantenimiento de este manual.

⚠ PRECAUCIÓN: NO sobrellene el motor con aceite, o fumará pesa demante del silenciador cuando lo valla a arrancar.

1. Asegúrese que la segadora esté nivelada.
2. Remueva la varila medidora de aceite del tubo de desarga de aceite.
3. Usted recibe un envase de aceite con la unidad. Vierta lentamente el envase entero de aceite en el tubo de relleno del motor.

AVISO: El terraplén inicial del aceite requiere solamente 18 onzas debido al aceite residual en el motor de la prueba de calidad de 100% del fabricante. Al cambiar el aceite puede necesitar 20 onzas.

4. Inserte y apriete la varilla medidora de aceite.



IMPORTANTE:

- Revise el nivel del aceite antes de cada uso. Agregue aceite si es necesario. Llene hasta la línea de lleno en la varilla medidora de nivel.
- Cambie el aceite después de 25 horas de operación o una vez por temporada. Puede necesitar cambiar el aceite más a menudo cuando las condiciones son polvorosas o sucias. Vea "PARA CAMBIAR EL ACEITE DEL MOTOR" en la sección de Mantenimiento de este manual.

AGREGUE GASOLINA

- Llene el estanque de combustible hasta la parte inferior del cuello de relleno del estanque de gasolina. No lo llene demasiado. Use gasolina regular, sin plomo, nueva y limpia con el mínimo de 87 octanos. No mezcle el aceite con la gasolina. Para asegurar que la gasolina utilizada sea fresca compre estanques los cuales puedan ser utilizados durante los primeros 30 días.

⚠ PRECAUCIÓN: Limpie el aceite o el combustible derramado. No almacene, derrame o use gasolina cerca de una llama expuesta.

⚠ PRECAUCIÓN: Los combustibles mezclados con alcohol (conocidos como gasohol, o el uso de etanol o metanol) pueden atraer la humedad, la que conduce a la separación y formación de ácidos durante el almacenamiento. La gasolina ácida puede dañar el sistema del combustible de un motor durante el almacenamiento. Para evitar los problemas con el motor, se debe vaciar el sistema del combustible antes de guardarlo por un período de 30 días o más. Vacíe el estanque del combustible, haga arrancar el motor y hágalo funcionar hasta que las líneas del combustible y el carburador queden vacíos. La próxima temporada use combustible nuevo. Vea las Instrucciones Para El Almacenamiento para más información. Nunca use productos de limpieza para el motor o para el carburador en el estanque del combustible pues se pueden producir daños permanentes.

PARA PARAR EL MOTOR

- Para parar el motor, suelte la barra de controles que exigen la presencia del operador.

PARA HACER ARRANCAR EL MOTOR

AVISO: Debido a las capas protectoras del motor, una cantidad pequeña de humo puede estar presente durante el uso inicial del producto y se debe considerar normal.

1. Para hacer arrancar un motor frío, empuje el cebador tres (3) veces antes de tratarlo. Empuje firmemente. Este paso normalmente no es necesario cuando se hace arrancar un motor que ya ha estado funcionando por unos cuantos minutos.
2. Sujete la barra de controles que exigen la presencia del operador abajo en el mango y tire el mango del arrancador rápidamente. No permita que el cordón arrancador se devuelva abruptamente.

AVISO: En climas más fríos puede que sea necesario repetir los pasos del cebado. En climas más calurosos el cebado demasiado puede producir el ahogo y el motor no va a arrancar. Si se ahoga el motor espere unos cuantos minutos antes de tratar de hacerlo arrancar y no repita los pasos del cebado.

CONSEJOS PARA SEGAR

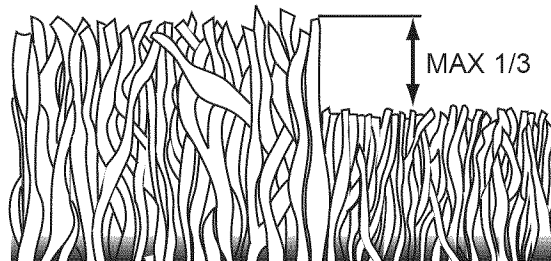
⚠PRECAUCIÓN: No utilizar dispositivos anti-paja de la hoja en la segadora ya que estos accesorios son peligrosos, pueden dañar su segadora y anular su garantía.

- Bajo ciertas condiciones, tal como césped muy alto, puede ser necesario el elevar la altura del corte para reducir el esfuerzo necesario para empujar la segadora y para evitar sobrecargar el motor, dejando montones de recortes de césped. Puede que sea necesario reducir la velocidad del recorrido y/o haga funcionar la segadora sobre el área por segunda vez.
- Para un corte muy pesado, reduzca el ancho del corte pasando parcialmente por encima del lugar anteriormente cortado y siegue lentamente.
- Para un mejor ensacado del césped y para la mayoría de las condiciones de corte, la velocidad del motor debe ajustarse a la posición de RÁPIDO.
- Los poros en los recogedores de césped de tela pueden llenarse con mugre y polvo con el uso y los recogedores recaudarán menos césped. Para evitar éste, rocíe el recogedor con la manguera de agua regularmente y déjelo secarse antes de usarlo.
- Mantenga la parte superior del motor, alrededor del arrancador, despejada y sin recortes de césped y paja. Esto ayudará el flujo del aire del motor y extenderá su duración.

CONSEJOS PARA SEGAR Y ACOLCHAR

IMPORTANTE: Para obtener el mejor rendimiento mantenga la caja de la segadora sin acumulación de césped y basura. Vea "LIMPIEZA" en la sección de Mantenimiento de este manual.

- La cuchilla acolchadora especial va a volver a cortar los recortes de césped muchas veces, y los reduce en tamaño, de modo que si se caen en el césped se van a dispersar entre éste y no se van a notar. También, el césped acolchado se va a deshacer rápidamente entregando substancias nutritivas para el césped. Siempre acolche con la velocidad del motor (cuchilla) más alta, pues así se obtendrá la mejor acción de recorte de las cuchillas.
- Evite cortar el césped cuando esté mojado. El césped mojado tiende a formar montones e interfiere con la acción de acolchado. La mejor hora para segar el césped es temprano en la tarde. A esa hora éste se ha secado y el área recién cortada no quedará expuesta al sol directo.
- Para obtener los mejores resultados, ajuste la altura del corte de la segadora de modo que ésta corte solamente el tercio superior de las hojas de césped. En el caso de que el césped haya crecido demasiado, puede ser necesario el elevar la altura del corte para reducir el esfuerzo necesario para empujar la segadora y para evitar sobrecargar el motor, dejando montones de recortes de césped. Para un césped muy pesado, reduzca el ancho del corte pasando por encima del lugar anteriormente cortado y siegue lentamente.



- Ciertos tipos de césped y sus condiciones pueden exigir que un área tenga que ser acolchada por segunda vez para esconder completamente los recortes. Cuando se haga el segundo corte, siegue atravesado (en forma perpendicular) a la pasada del primer corte.
- Cambie su patrón de corte de semana a semana. Siegue de norte a sur una semana y luego cambie de este a oeste la próxima semana. Esto evitará que el césped se enrede y cambie de dirección.

MANTENIMIENTO

PROGRAMA DE MANTENIMIENTO		ANTES DE CADA USO	DESPUES DE CADA USO	CADA 10 HORAS	CADA 25 HORAS O TEMPORADA	CADA 100 HORAS	ANTES DEL ALMACENAMIENTO
SE G A D O R A	Revisar si hay Sujetadores Suelos	✓					✓
	Limpiar/Inspeccionar el Recogedor de Césped *	✓	✓				✓
	Controlar los Neumáticos	✓					
	Controlar las Ruedas Motrices ***	✓					
	Limpiar la Segadora ****		✓				✓
	Limpiar debajo la Cubierta de la Transmisión ***			✓			
	Revisar las Correas y las Poleas Impulsadas ***				✓		
	Revisar / Afilar / Cambiar la Cuchilla				✓ ₃		
	Lubricación				✓		
M O T O R	Limpiar / Recargar la Batería **				✓		✓ ₄
	Revisar el nivel del Aceite	✓ ₅					
	Cambiar el Aceite del motor				✓ _{1,2}		
	Limpiar el Filtro de Aire				✓ ₂		
	Inspeccionar el Silenciador				✓		
	Cambiar la Bujía					✓	
	Cambiar el Cartucho de Papel del Filtro de Aire					✓ ₂	
	Vaciar el sistema del carburante o añadir un estabilizador de carburante.						✓

- * (si viene equipado) 1 - Cambiar más a menudo cuando se opere bajo carga pesada o en ambientes con altas temperaturas.
 ** Segadoras con Arranque Eléctrico 2 - Dar servicio más a menudo cuando se opere en condiciones sucias o polvorosas.
 *** Segadoras con Poder Propulsor 3 - Cambie las cuchillas más a menudo cuando siegue en terreno arenoso.
 **** Utilizar una rasqueta para limpiar debajo de la cubierta del cortacésped 4 - Cargar por 48 horas al fin de la temporada.
 5 - Y después de 5 horas de funcionamiento.

RECOMENDACIONES GENERALES

La garantía de esta segadora no cubre los artículos que han estado sujetos al abuso o a la negligencia del operador. Para recibir todo el valor de la garantía, el operador tiene que mantener la segadora según las instrucciones descritas en este manual.

Hay algunos ajustes que se tienen que hacer en forma periódica para poder mantener su unidad adecuadamente.

Al menos una vez cada estación comprobar si es necesario efectuar los ajustes descritos en las secciones de Servicio y Ajustes de este manual.

- Una vez al año, cambie la bujía, limpie o cambie el elemento del filtro de aire y revise si la cuchilla está desgastada. Una bujía nueva y un elemento del filtro de aire limpio/nuevo aseguran la mezcla de aire-combustible adecuada y ayudan a que su motor funcione mejor y que dure más.
- Siga el programa de mantenimiento en este manual.

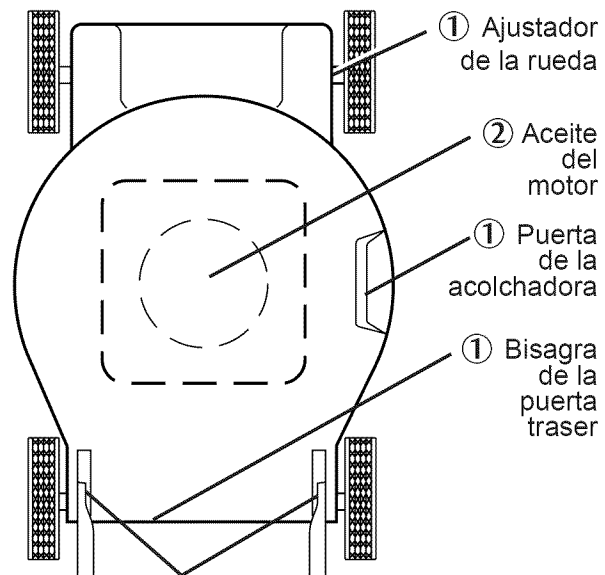
ANTES DE CADA USO

- Revise el nivel del aceite del motor.
- Revise si hay sujetadores sueltos.

LUBRICACIÓN

Mantenga la unidad bien lubricada (vea la "TABLA DE LUBRICACIÓN").

TABLA DE LUBRICACIÓN



① Clavija de montaje del puntal del mango

① Rocie el lubricante

② Vea "MOTOR" en la sección de Mantenimiento

IMPORTANTE: No aceite o engrase los rodamientos de la rueda de plástico. Los lubricantes viscosos atearan polvo y mugre, lo acortara la duracion de los rodamientos autolubricantes. Si cree que tienen que lubricarse, use losamente un lubricante tipo crafito, de polvo seco, en forma moderada.

SEGADORA

Siempre observe las reglas de seguridad cuando haga el mantenimiento.

LLANTAS

- Mantenga las llantas sin gasolina, aceite o sustancias químicas para control de insectos que pueden dañar la goma.
- Evite los tocones, las piedras, las grietas profundas, los objetos afilados y otros peligros que pueden dañar a las llantas.

CUIDADO DE LA CUCHILLA

Para obtener los mejores resultados, la cuchilla de la segadora tienen que mantenerse afilada. Cambie la cuchilla doblada o dañada.

PRECAUCIÓN: Usar solamente la hoja de repuesto aprobada por el fabricante de su cortacésped. Usar una hoja no aprobada por el fabricante de su cortacésped es peligroso, puede dañar su cortacésped y anular su garantía.

PARA REMOVER LA CUCHILLA

1. Desconecte el alambre de la bujía y póngalo en donde no pueda entrar en contacto con ésta.
2. Haga descansar la segadora en su lado. Asegúrese que el filtro de aire y que el carburador queden mirando hacia arriba.
3. Use un bloque de madera entre la cuchilla y la caja de la segadora para evitar que la cuchilla gire cuando se le quite el perno.

AVISO: Proteja sus manos con guantes y/o envuelva la cuchilla con una tela gruesa.

4. Remueva el perno de la cuchilla girándolo en el sentido contrario en que giran las manillas del reloj.
5. Remueva la cuchilla y los artículos de ferretería adjuntadores (el perno, la arandela de seguridad y la arandela endurecida).

PARA CAMBIAR LA CUCHILLA

1. Ponga la cuchilla en el adaptador de ésta alineando los dos (2) agujeros en la cuchilla con las salientes elevadas en el adaptador.
 2. Asegúrese de que el borde de salida de la cuchilla (opuesto al borde afilado) esté hacia arriba hacia el motor.
 3. Instale el perno de la cuchilla con la arandela de seguridad y la arandela endurecida en el adaptador de la cuchilla y el cigüeñal.
 4. Use un bloque de madera entre la cuchilla y la caja de la segadora y apriete el perno de la cuchilla girándolo en el sentido en que giran las manillas del reloj.
- La torsión para apretar recomendada es de 35 – 40 pies libras.

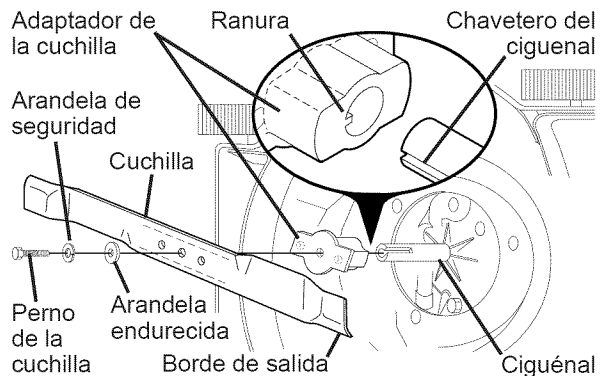
IMPORTANTE: El perno de la cuchilla es tratado a calor. Si es necesario sustituir los pernos, sustituirlos sólo con pernos aprobados mostrados en la sección Partes de Reparación de este manual.

PARA AFILAR LA CUCHILLA

AVISO: No recomendamos el afilar la cuchilla – pero si lo hace, asegúrese de que quede balanceada.

Se tiene que tener cuidado de mantenerla balanceada. Una cuchilla que no está balanceada va a producir eventualmente daño en la segadora o en el motor.

- La cuchilla puede afilarse con una lima o en una rueda rectificadora. No trate de afilarla mientras se encuentra en la segadora.
- Para revisar el balance de la cuchilla, clave un clavo en una viga o en la pared. Deje alrededor de una pulgada de un clavo recto expuesto. Ponga el agujero central de la cuchilla sobre la cabeza del clavo. Si la cuchilla está balanceada debe permanecer en la posición horizontal. Si cualquiera de los extremos de la cuchilla se mueve hacia abajo, afile el extremo pesado hasta que ésta quede balanceada.



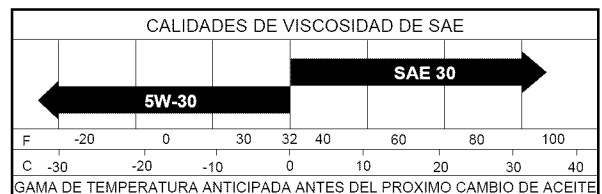
RECOGEDOR DE CÉSPED

- El recogedor de césped puede ser rociado con el agua de la manguera pero tiene que estar seco cuando se vaya a usar.
- Revise su recogedor de césped a menudo para verificar si está dañado o deteriorado. Se va a desgastar con el uso normal. Si se necesita cambiar el recogedor, cámbielo solamente por uno que sea aprobado por el fabricante. Dé el número del modelo de la segadora cuando lo ordene.

MOTOR

LUBRICACIÓN

Use solamente aceite de detergente de alta calidad clasificado con la clasificación SG–SL de servicio API. Seleccione la calidad de viscosidad SAE según su temperatura de operación esperada.



AVISO: A pesar de que los aceites de multiviscosidad (5W30, 10W30, etc.) mejoran el arranque en clima frío, estos aceites de multiviscosidad van a aumentar el consumo de aceite cuando se usan en temperaturas sobre 32° F. Revise el nivel del aceite del motor más a menudo, para evitar un posible daño en el motor, debido a que no tiene suficiente aceite.

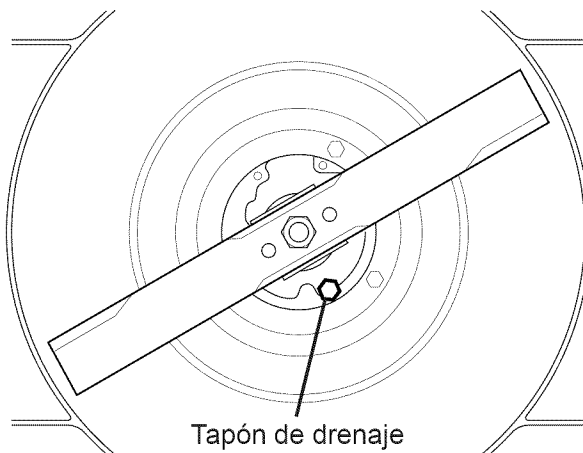
Cambie el aceite después de 25 horas de operación o por lo menos una vez al año si la segadora se utiliza menos 25 horas el año. Revise el nivel del aceite del cárter antes de arrancar el motor y después de cada cinco (5) horas de uso continuado. Apriete el tapón del aceite en forma segura cada vez que revise el nivel del aceite.

PARA CAMBIAR EL ACEITE DEL MOTOR

1. Desconecte el alambre de la bujía y póngalo de modo que no pueda entrar en contacto con ésta.
2. Asegúrese que la segadora esté en una superficie nivelada.

AVISO: El aceite se drenará más fácilmente si está caliente. Recoja el aceite en un envase adecuado.

3. Remueva el tapón de drenaje del depósito de aceite de la parte inferior.
4. Después de que el aceite se haya drenado completamente, vuelva a poner el tapón de drenaje del depósito de aceite en su lugar y apriételo en forma segura.
5. Rellene el motor con aceite. (Vea "PARA AGREGAR EL ACEITE" en la sección de Operación de este manual.)
6. Vuelva a conectar el alambre de la bujía a ésta.



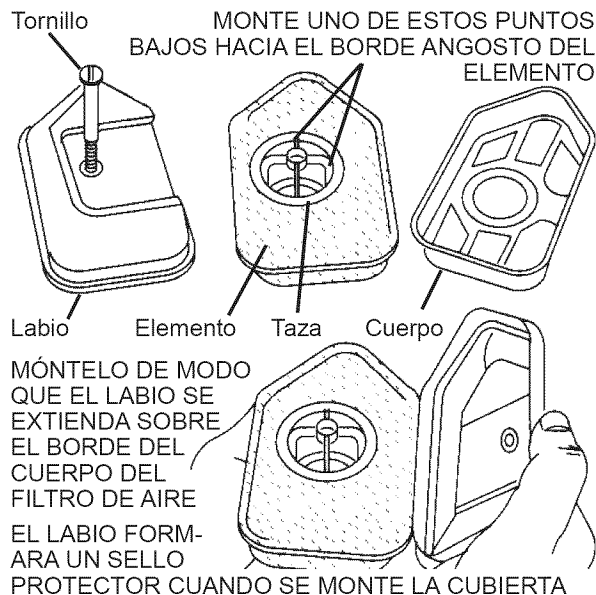
FILTRO DE AIRE

Su motor puede sufrir averías y funcionar de manera incorrecta con un filtro del aire sucio. Limpie el elemento cada 25 horas de operación. Sustituir el papel del cartucho una vez al año o tras 100 horas de funcionamiento, más a menudo si se utiliza en condiciones de suciedad y polvo particulares.

PARA LIMPIAR EL FILTRO DE AIRE

1. Remueva el tornillo.
2. Remueva el filtro de aire, cuidadosamente, para evitar que la mugre entre en el carburador.
3. Desarme el filtro de aire y limpie el elemento del filtro de aire.
4. Lave el elemento del filtro en detergente líquido y agua.
5. Envuelva el elemento del filtro en una tela y séquelo apretándolo.
6. Cubra el elemento del filtro con una capa delgada de aceite de motor limpio. Apriételo en una toalla para remover el aceite en exceso. No lo sature.

7. Vuelva a montar las partes y póngalas de vuelta en el carburador.



SILENCIADOR

Inspeccione y cambie el silenciador si está corroído puede producir un peligro de incendio y/o daño.

BUJÍA

Cambie el bujía al comienzo de cada temporada de siega o después de cada 100 horas de operación, lo que suceda primero. El tipo de bujía y el ajuste de la abertura aparecen en "ESPECIFICACIONES DEL PRODUCTO" sección de este manual.

LIMPIEZA

IMPORTANTE: Para obtener el mejor rendimiento, mantenga la caja de la segadora sin acumulación de césped y basura. Limpie la parte de abajo de su segadora después de cada uso.

PRECAUCIÓN: Desconecte el alambre de la bujía y póngalo en donde no pueda entrar en contacto con ésta.

- Haga descansar la segadora en su lado. Asegúrese que el filtro de aire y que el carburador queden mirando hacia arriba. Limpie la parte inferior de su segadora raspándola para remover la acumulación de césped y basura.
- Limpie el motor a menudo para evitar que se acumule la basura. Un motor tapado funciona más caliente y se acorta su duración.
- Mantenga las superficies pulidas y las ruedas sin gasolina, aceite, etc.
- No recomendamos el uso de una manguera de jardín para limpiar la segadora a menos que el sistema eléctrico, el silenciador, el filtro de aire y el carburador estén tapados para evitar que les entre el agua. El agua en el motor puede acortar la duración de éste.

SERVICIO Y AJUSTES

⚠ADVERTENCIA: Para evitar lesiones serias, antes de dar cualquier servicio o de hacer ajustes:

1. Suelte la barra de control y pare el motor.
2. Asegúrese que la cuchilla y que todas las partes móviles se hayan detenido completamente.
3. Desconecte el alambre de la bujía y póngalo en donde no pueda entrar en contacto con ésta.

SEGADORA

PARA AJUSTAR LA ALTURA DE CORTE

Vea "PARA AJUSTAR LA ALTURA DE CORTE" en la sección de Operación de este manual.

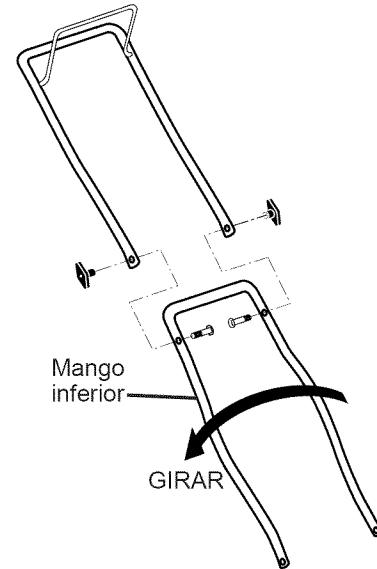
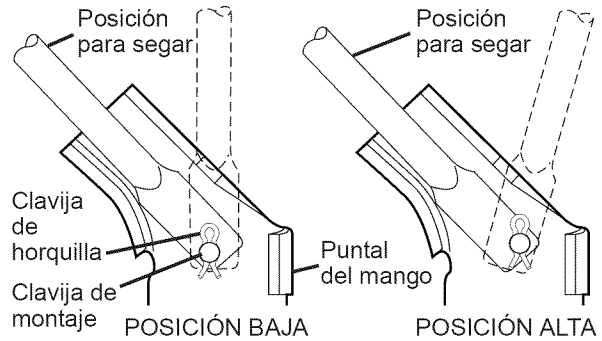
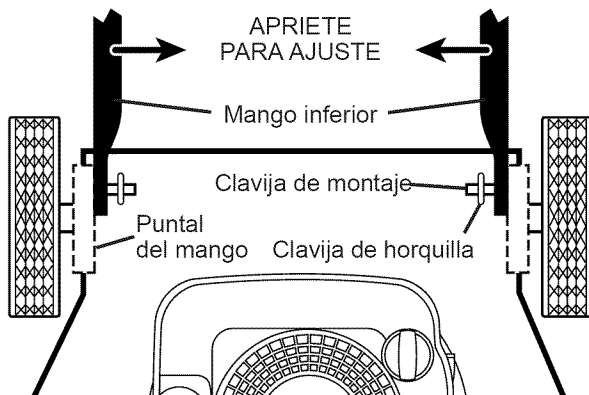
DESVIADOR TRASERO

Se proporciona un desviador trasero, adjunto entre las ruedas traseras de su segadora, para reducir a un mínimo la posibilidad que objetos sean lanzados hacia afuera de la parte trasera de la segadora, en la posición en donde se encuentra el operador. Si se daña el desviador debe cambiarse.

PARA AJUSTAR EL MANGO

El mango puede ser montado a una posición alta o baja. Los agujeros de montaje en el mango inferior están fuera del centro para levantar y bajar el mango.

1. Remueva el mango superior y conexión(s) el asegurar él (los) cable(s) al mango inferior.
2. Remueva las clavijas de horquilla de la clavija de montaje del puntal del mango.
3. Apreite el mango inferior hacia dentro para removerlo de las clavijas de montaje.
4. Gire el mango inferior por encima para levantar o bajar el mango.
5. Vuelva a montar las clavijas de horquilla por encima de las clavijas de montaje.
6. Vuelva a montar el mango superior y todas las partes removidas del mango inferior.



MOTOR

VELOCIDAD DEL MOTOR

La velocidad del motor ha sido ajustada en la fábrica. No trate de aumentar la velocidad del motor pues se pueden producir lesiones personales. Si cree que el motor está funcionando demasiado rápido o demasiado lento, lleve su segadora a mas con su centro de servicio Sears o con un otro centro de servicio cualificado.

CARBURADOR

Su carburador tiene un chorro principal fijo no ajustable para controlar la mezcla. Si su motor no está funcionando en forma adecuada debido a problemas que se sospecha vienen del carburador, lleve su segadora a contacto con su centro de servicio Sears o con un otro centro de servicio cualificado para repararla y/o ajustarla.

IMPORTANTE: Nunca manipule el regulador del motor, el que ha sido ajustado en la fábrica para la velocidad del motor adecuada. Puede ser peligroso hacer funcionar el motor a una velocidad por sobre el ajuste de alta velocidad de la fábrica. Si cree que la velocidad alta regulada del motor necesita ajuste, contacto con su centro de servicio Sears o con un otro centro de servicio cualificado, el que cuenta con el equipo adecuado y la experiencia para hacer los ajustes necesarios.

ALMACENAMIENTO

Inmediatamente prepare su segadora para el almacenamiento al final de cada temporada o si la unidad no se va a usar por 30 días o más.

SEGADORA

Cuando se va a guardar la segadora por cierto período de tiempo, límpiela cuidadosamente, remueva toda la mugre, la grasa, las hojas, etc. Guárdela en un área limpia y seca.

1. Limpie toda la segadora (Vea "LIMPIEZA" en la sección de Mantenimiento de este manual).
2. Lubríquela según se muestra en la sección de Mantenimiento de este manual.
3. Asegúrese de que todas las tuercas y clavijas y todos los pernos y tornillos estén apretados en forma segura. Inspeccione las partes que se mueven para verificar si están dañadas, quebradas o desgastadas. Cámbielas si es necesario.
4. Retoque todas las superficies que estén oxidadas o con la pintura picada; use una lija antes de pintar.

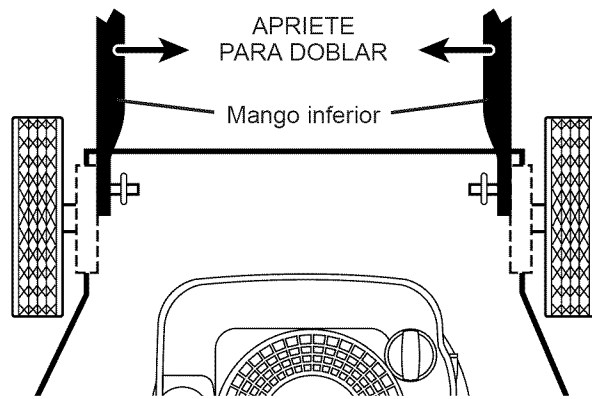
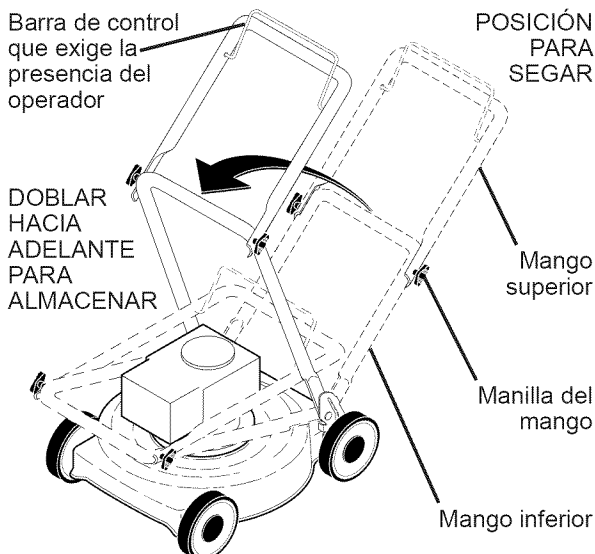
MANGO

Puede doblar el mango de su segadora para el almacenamiento.

1. Apriete los extremos inferiores del mango inferior entre sí hasta que el mango inferior quede separado del puntal del mango, luego muévalo hacia adelante.
2. Suelte los pernos de montaje del mango superior lo suficiente como para permitir que el mango superior se pueda doblar hacia atrás.

IMPORTANTE: Cuando doble el mango para el almacenamiento o el transporte, asegúrese que lo doble según se muestra o puede dañar los cables de control.

- Cuando prepare sus mangos a partir de la posición de almacenamiento, el mango inferior automáticamente se asegurará en la posición para segar.



MOTOR

SISTEMA DE COMBUSTIBLE

IMPORTANTE: Es importante evitar que se formen depósitos de goma en partes fundamentales del sistema de combustible tales como el carburador, el filtro del combustible, la manguera del combustible o en el estanque durante el almacenamiento. Los combustibles mezclados con alcohol (conocido como gasohol o que tienen etanol o metanol) Pueden atraer humedad, lo que conduce a la separación y a la formación de ácidos durante el almacenamiento. La gasolina ácida puede dañar el sistema de combustible de un motor durante el período de almacenamiento.

- Vaciar el depósito del carburante poniendo en marcha el motor y dejándolo funcionar hasta que el carburante termine y el carburador esté vacío.
- Nunca use los productos para limpieza del carburador o del motor en el estanque de combustible pues se pueden producir daños permanentes.
- Use combustible nuevo la próxima temporada.

AVISO: El estabilizador de combustible es una alternativa aceptable para reducir a un mínimo la formación de depósitos de goma en el combustible durante el período de almacenamiento. Agregue estabilizador a la gasolina en el estanque de combustible o en el envase para el almacenamiento. Siempre siga la proporción de mezcla que se encuentra en el envase del estabilizador. Haga funcionar el motor por lo menos 10 minutos después de agregar el estabilizador, para permitir que este llegue al carburador. No drene la gasolina del estanque de gasolina y el carburador si se está usando estabilizador de combustible.

ACEITE DEL MOTOR

Drene el aceite (con el motor caliente) y cámbielo con aceite de motor limpio. (Vea "MOTOR" en la sección de Mantenimiento de este manual.)

CILINDRO

1. Remueva la bujía.
2. Vacíe una onza (29 ml) de aceite a través del agujero de la bujía en el cilindro.
3. Tire la manilla de arranque lentamente unas cuantas veces para distribuir el aceite.
4. Vuelva a montar la nueva bujía.

OTROS

- No guarde la gasolina de una temporada a la otra.
- Cambie el envase de la gasolina si se empieza a oxidar. La oxidación y/o la mugre en su gasolina producirán problemas.

- Si es posible, guarde su unidad en un recinto cerrado y cúbrala para protegerla contra el polvo y la mugre.
- Cubra su unidad con un forro protector adecuado que no retenga la humedad. No use plástico. El plástico no puede respirar, lo que permite la formación de condensación, lo que producirá la oxidación de su unidad.

IMPORTANTE: Nunca cubra la segadora mientras el motor y las áreas de escape todavía están calientes.

PRECAUCIÓN: Nunca almacene la segadora con gasolina en el estanque dentro de un edificio en donde los gases pueden alcanzar una llama expuesta o una chispa. Permita que se enfríe el motor antes de almacenarla en algún recinto cerrado.

SOLUCIÓN DE PROBLEMAS - Vea la sección apropiada en el manual amenos que esté dirigido a un centro de servicio Sears.

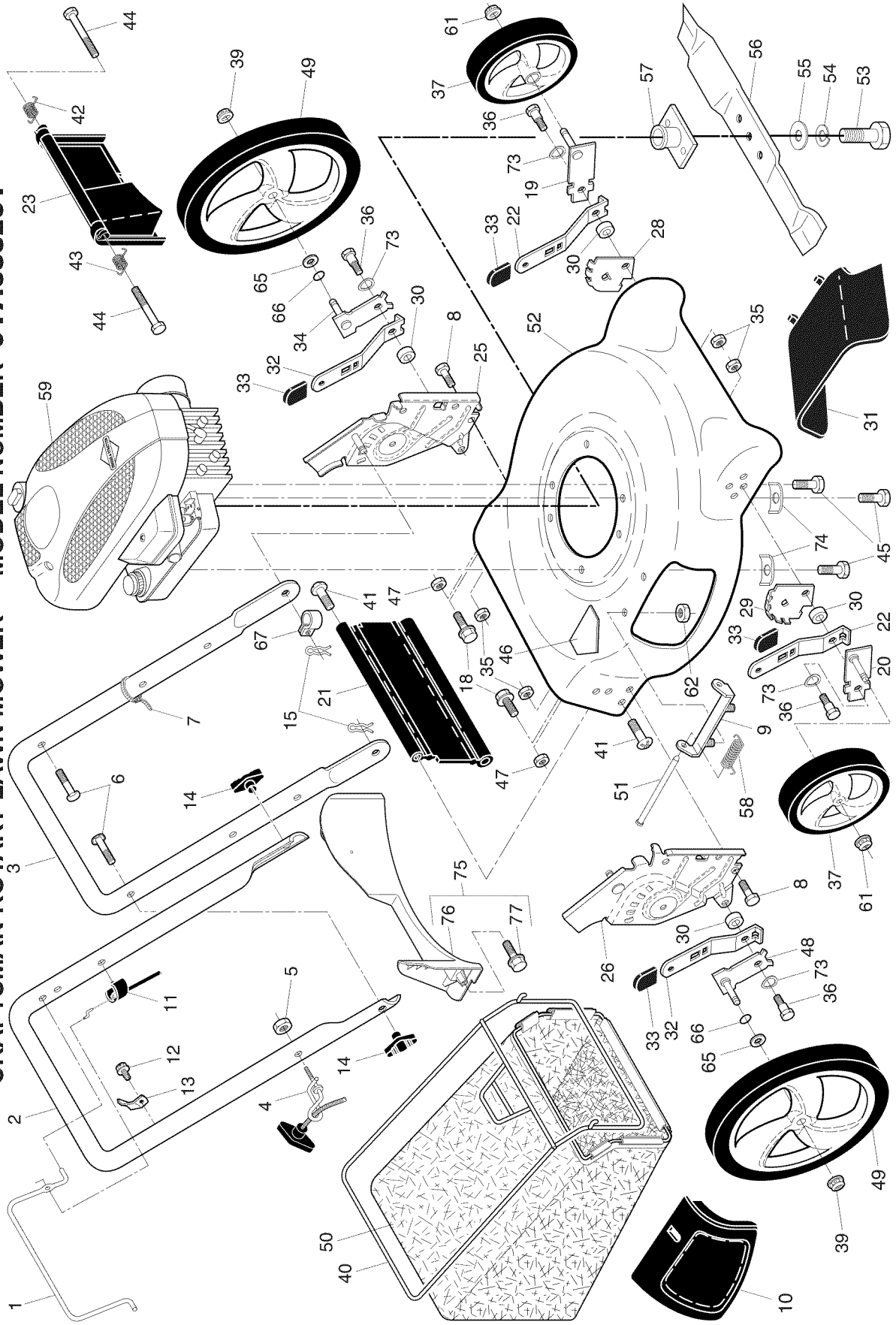
PROBLEMA	CAUSA	CORRECCIÓN
No arranca	<ol style="list-style-type: none">1. Filtro de aire sucio.2. Sin combustible.3. Combustible rancio. 4. Agua en el combustible. 5. Alambre de la bujía desconectado.6. Bujía mala.7. Cuchilla suelta o adaptador de la cuchilla quebrado.8. Barra de control en la posición suelta.9. Barra de control defectuosa.10. Válvula del combustible (si equipada) está en la posición OFF.11. Batería débil (si equipada).12. Desconecte el conector de la batería (si equipada).	<ol style="list-style-type: none">1. Limpie/cambie el filtro de aire.2. Llene el estanque de combustible.3. Vacíe el estanque y vuelva a llenarlo con combustible limpio y nuevo.4. Vacíe el estanque y vuelva a llenarlo con combustible limpio y nuevo.5. Conecte el alambre a la bujía.6. Cambie la bujía.7. Apriete el perno de la cuchilla cambie el adaptador de la cuchilla.8. Presione la barra de control hacia el mango.9. Cambie la barra de control.10. Gire a la válvula del combustible a la posición ON.11. Cargue la batería.12. Conecte la batería al motor.

SOLUCIÓN DE PROBLEMAS - Vea la sección apropiada en el manual amenos que esté dirigido a un centro de servicio Sears.

PROBLEMA	CAUSA	CORRECCIÓN
Falta de fuerza	<ol style="list-style-type: none"> 1. Cuchilla desgastada, doblada o suelta. 2. Altura de las ruedas dispareja. 3. Velocidad del motor lenta. 4. Acumulación de césped, hojas o basura debajo de la segadora. 5. Demasiado aceite en motor. 6. Velocidad de recorrido demasiado rápida. 	<ol style="list-style-type: none"> 1. Ajuste a la posición de "Corte más alto." 2. Ajuste a la posición de "Corte más alto." 3. Limpie/cambie el filtro de aire. 4. Limpie la parte inferior de la caja de la segadora. 5. Revise el nivel del aceite. 6. Corte a una velocidad de recorrido más lenta.
Mal corte-disparejo	<ol style="list-style-type: none"> 1. Cuchilla desgastada, doblada o suelta. 2. Altura de las ruedas dispareja. 3. Acumulación de césped, hojas o basura debajo de la segadora. 	<ol style="list-style-type: none"> 1. Cambie la cuchilla. Apriete el perno de la cuchilla. 2. Ajuste todas las ruedas a la misma altura. 3. Limpie la parte inferior de la caja de la segadora.
Vibración excesiva	<ol style="list-style-type: none"> 1. Cuchilla desgastada, doblada o suelta. 2. Cigüeñal del motor doblado. 	<ol style="list-style-type: none"> 1. Cambie la cuchilla. Apriete el perno de la cuchilla. 2. Póngase en contacto con su centro de servicio Sears o con un otro centro de servicio cualificado.
Cordón arrancador difícil de tirar	<ol style="list-style-type: none"> 1. El freno del volante del motor está aplicado cuando se suelta la barra de control. 2. Cigüeñal del motor doblado. 3. Adaptador de la cuchilla quebrado. 4. La cuchilla se arrastra en el césped. 	<ol style="list-style-type: none"> 1. Presione la barra de control hacia el mango superior antes de tirar el cordón arrancador. 2. Póngase en contacto con su centro de servicio Sears o con un otro centro de servicio cualificado. 3. Cambie el adaptador de la cuchilla. 4. Mueva la segadora a un lugar en donde el césped ha sido cortado o a una superficie firme para hacer arrancar el motor.
Recogedor de césped no se llena (si viene equipado)	<ol style="list-style-type: none"> 1. Altura de corte demasiado baja. 2. Levantamiento de la cuchilla desgastado. 3. Recogedor sin ventilación de aire. 	<ol style="list-style-type: none"> 1. Eleve la altura de corte. 2. Cambie las cuchillas. 3. Limpie el recogedor de césped.
Difícil de empujar	<ol style="list-style-type: none"> 1. El césped está demasiado alto o la altura de la rueda demasiado baja. 2. Parte trasera de la caja/cuchilla de la segadora arrastrándose en el césped. 3. Recogedor de césped demasiado lleno. 4. Posición de la altura del mango no adecuada para usted. 	<ol style="list-style-type: none"> 1. Eleve la altura de corte. 2. Eleve la parte trasera de la caja de la segadora (1) un lugar más alto. 3. Vacíe el recogedor de césped. 4. Ajuste la altura del mango de modo que le acomode.

REPAIR PARTS

CRAFTSMAN ROTARY LAWN MOWER -- MODEL NUMBER 917.388201



CRAFTSMAN ROTARY LAWN MOWER - - MODEL NUMBER 917.388201

KEY NO.	PART NO.	DESCRIPTION	KEY NO.	PART NO.	DESCRIPTION	KEY NO.	PART NO.	DESCRIPTION
1	194177X428	Control Bar	31	165760	Discharge Deflector	55	851074	Hardened Washer
2	194179X479	Upper Handle	32	401624X004	Selector Spring, Rear	56	406712	21" Blade
3	169708X479	Lower Handle	33	87877	Selector Knob	57	851514	Blade Adapter
4	194788	Rope Guide	34	401176X004	Axle Arm Assembly, Rear, LH	58	152124	Hinge Spring
5	132004	Nut, Hex	35	166785	Locknut, Hex 5/16-18	59	- - -	Engine, Briggs & Stratton, Model No. 10T802-1244-B1 (See Breakdown)
6	191574	Handle Bolt	36	401638	Shoulder Bolt			
7	66426	Wire Tie	37	194345X427	Wheel & Tire Assembly, Front			
8	74780512	Bolt, Hex Head 5/16-18 x 3/4	39	409149	Flanged Locknut, Hex	61	409148	Nut, Hex
9	154132	Hinge Bracket	40	411949	Frame, Grassbag	62	73800400	Locknut, Hex 1/4-20
10	165754	Mulcher Door	41	88652	Hinge Screw	65	88348	Washer, Flat
11	176556	Engine Zone Control Cable	42	405421	Spring, Rear Door, LH	66	197480	O-Ring
12	750634	Hex Washer Head Screw	43	405423	Spring, Rear Door, RH	67	197991	Clip, Cable
13	86899X004	Up-Stop Bracket	44	184193	Bolt, Rear Door	73	401630	Washer, Curved, Cylindrical
14	189713X428	Handle Knob	45	150406	Screw, Hex Head, Threaded, Rolled 3/8-16 x 1	74	851201X004	Washer, Special, Engine Kit, Rear Baffle
15	51793	Hairpin Cotter				75	413693	(Includes 3 Screws)
18	17600406	Screw 1/4-20 x 3/8	46	404763	Danger Decal			
19	401174X004	Axle Arm Assembly, Front, LH	47	751153	Nut, Hex	76	410589	Baffle, Rear
20	401175X004	Axle Arm Assembly, Front, RH	48	401177X004	Axle Arm Assembly, Rear, RH	77	17411312	Screw, Rear Baffle
21	418655	Kit, Rear Skirt	49	193929X427	Wheel & Tire Assembly, Rear	- -	404764	Warning Decal (not shown)
22	401621X004	Selector Spring, Front	50	408955	Grassbag	- -	425724	Owner's Manual
23	401814X428	Rear Door Assembly	51	147286	Hinge Rod			
25	410385X479	Handle Bracket Assembly, LH	52	413868	Kit, Lawn Mower Housing (Includes Key Number 46)			Available accessories not included with mower:
26	410386X479	Handle Bracket Assembly, RH				- -	71 33623	Gas Can
28	407499X005	Wheel Adjusting Bracket, LH	53	851084	Screw, Hex Head, Grade 8 3/8-24 x 1-3/8			(2.5 Gallon Container)
29	407500X005	Wheel Adjusting Bracket, RH				- -	71 33500	Fuel Stabilizer
30	401629	Spacer	54	850263	Helical Lockwasher	- -	71 33000	SAE 30W Oil (20 Ounce Bottle)

NOTE: All component dimensions given in U.S. inches. 1 inch = 25.4 mm

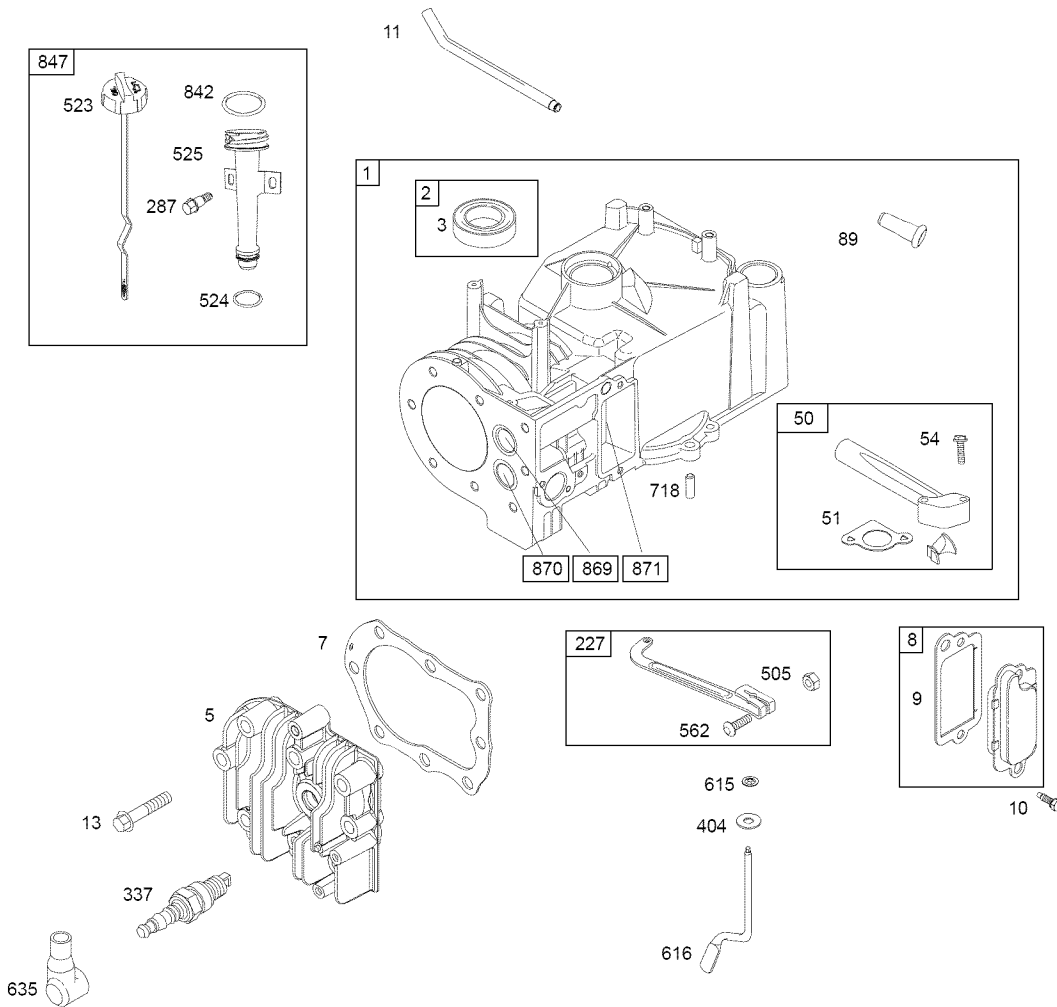
IMPORTANT: Use only Original Equipment Manufacturer (O.E.M.) replacement parts. Failure to do so could be hazardous, damage your lawn mower and void your warranty.

48 SHORT BLOCK

1058 OPERATOR'S MANUAL

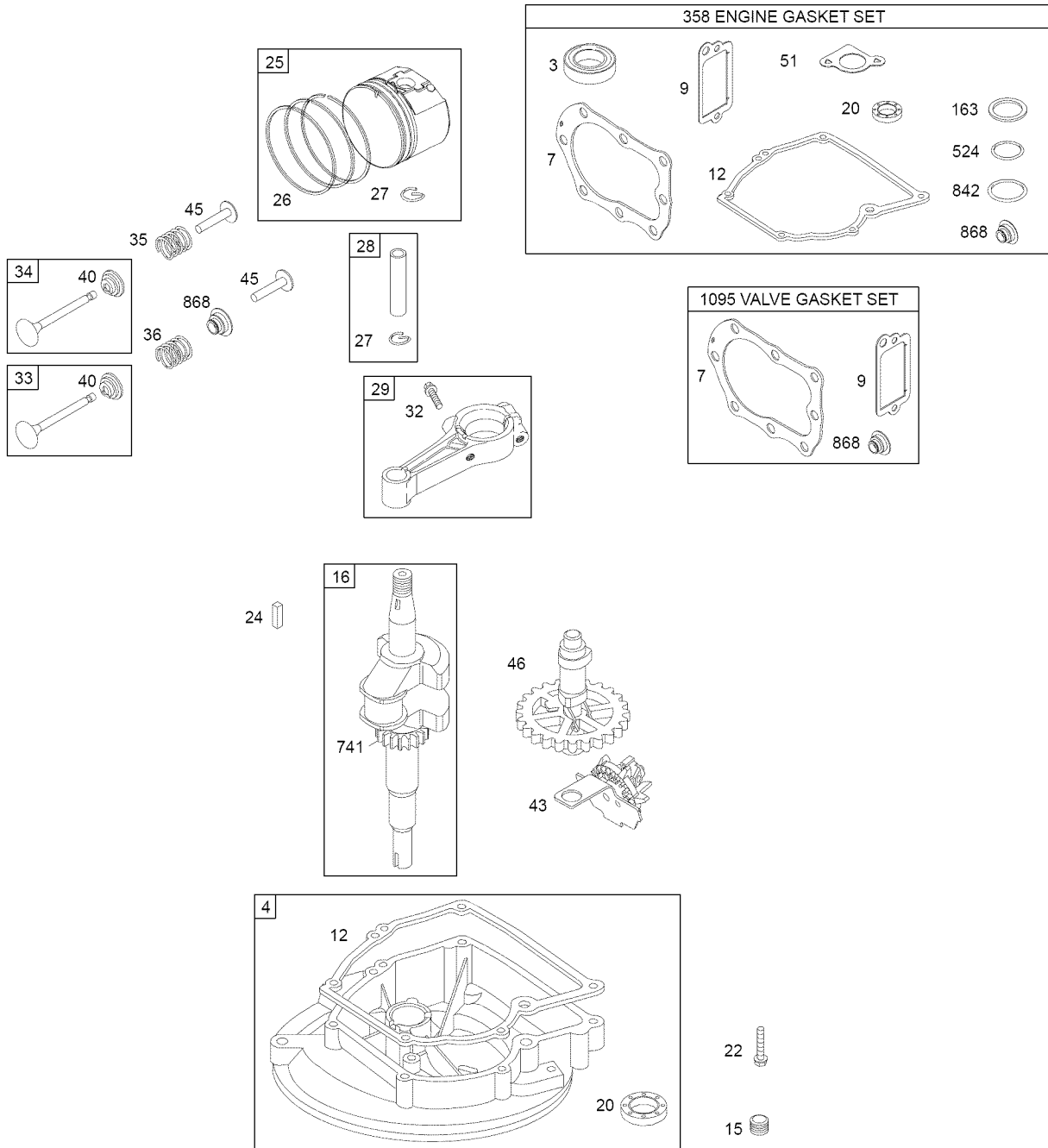
1329 REPLACEMENT ENGINE

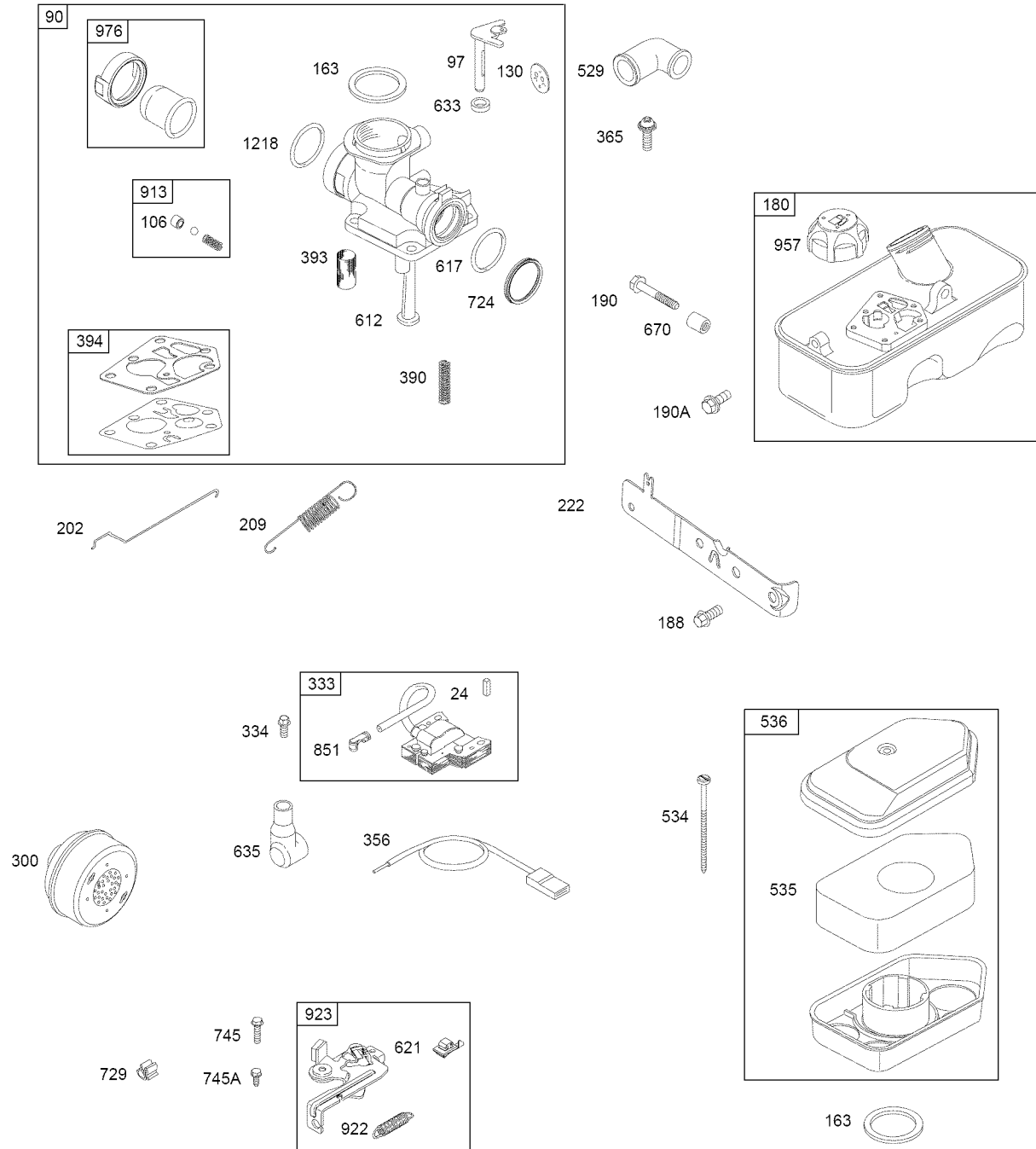
1330 REPAIR MANUAL

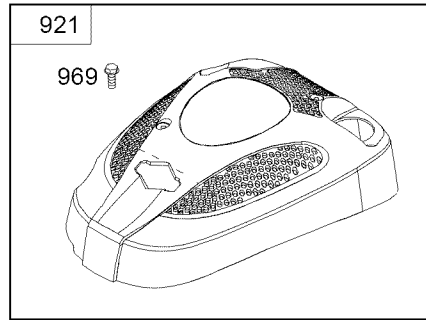


Engine Power Rating Information

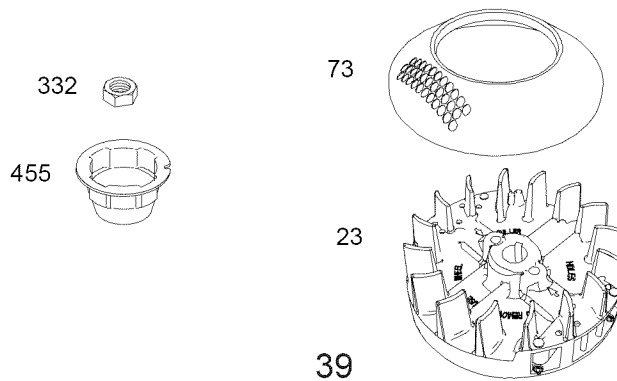
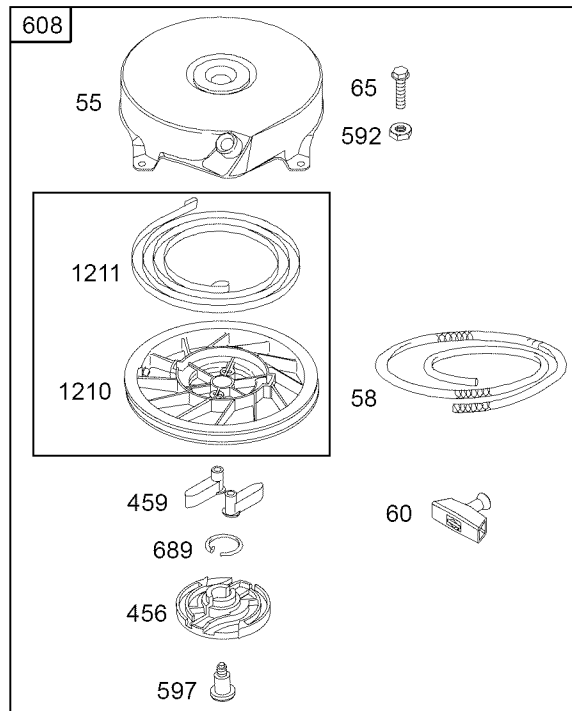
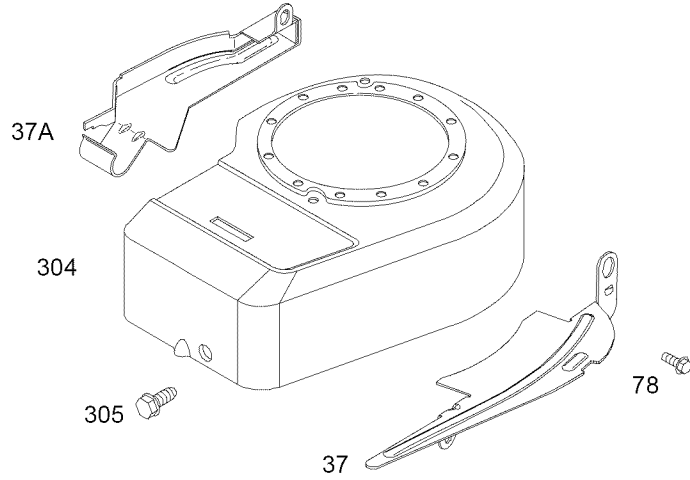
The gross power rating for individual gas engine models is labeled in accordance with SAE (Society of Automotive Engineers) code J11940 (Small Engine Power & Torque Rating Procedure), and rating performance has been obtained and corrected in accordance with SAE J1995 (Revision 2002-5). Actual gross engine power will be lower and is affected by, among other things, ambient operating conditions and engine-to-engine variability. Given both the wide array of products on which engines are placed and the variety of environmental issues applicable to operating the equipment, the gas engine will not develop the rated gross power when used in a given piece of power equipment (actual "on-site" or net horsepower). This difference is due to a variety of factors including, but not limited to, accessories (air cleaner, exhaust, charging, cooling, carburetor, fuel pump, etc.), application limitations, ambient operating conditions (temperature, humidity, altitude), and engine-to-engine variability. Due to manufacturing and capacity limitations, Briggs & Stratton may substitute an engine of higher rated power for this Series engine.







1036 EMISSIONS LABEL



KEY PART NO.	PART NO.	DESCRIPTION	KEY PART NO.	PART NO.	DESCRIPTION
1	699650	Cylinder Assembly	46	691998	Camshaft
2	399269	Kit-Bushing/Seal (Magneto Side)	48	793347	Short Block
3	299819s	• Seal-Oil (Magneto Side)	50	792388	Manifold-Intake
4	698691	Sump-Engine	51	792389	•+ Gasket-Intake
5	790169	Head-Cylinder	54	691111	Screw (Intake Manifold)
7	698747	•+ Gasket-Cylinder Head	55	692144	Housing-Rewind Starter
8	791781	Breather Assembly	58	697316	Rope-Starter
9	695890	Gasket-Breather	60	691915	Grip-Starter Rope
10	691666	Screw (Breather Assembly)	65	690837	Screw (Rewind Starter)
11	691245	Tube-Breather	73	699850	Screen-Rotating
12	692218	• Gasket-Crankcase	78	692198	Screw (Flywheel Guard)
13	691640	Screw (Cylinder Head)	89	692348	Plug (Cylinder)
15	691680	Plug-Oil Drain	90	794061	Carburetor
16	796217	Crankshaft	97	697414	Shaft-Throttle
20	391483s	• Seal-Oil (PTO Side)	106	690901	Seat-Inlet
22	692551	Screw (Crankcase Cover/Sump)	130	794060	Valve-Throttle
23	795549	Flywheel	163	271139s	Gasket-Air Cleaner
24	222698s	Key-Flywheel	180	494406	Tank-Fuel
25	795691	Piston Assembly (Standard)	188	692198	Screw (Control Bracket)
	795689	Piston Assembly (.020" Oversize)	190	691640	Screw (Fuel Tank) (1-3/4" Long)
26	795690	Ring Set (Standard Size)	190A	691108	Screw (Fuel Tank) (9/16" Long)
	795688	Ring Set (.020" Oversize)	202	698835	Link-Mechanical Governor
27	691588	Lock-Piston Pin	209	698719	Spring-Governor (Light Blue)
28	699659	Pin-Piston			Bracket-Control
29	699654	Rod-Connecting	222	698725	Lever-Governor Control
32	691664	Screw (Connecting Rod)	227	697402	Screw (Dipstick Tube)
33	296676	Valve-Exhaust	287	691002	Muffler
34	296677	Valve-Intake	300	394569s	Housing-Blower
35	690520	Spring-Valve (Intake)	304	697411	Screw (Blower Housing)
36	690520	Spring-Valve (Exhaust)	305	692198	Nut (Flywheel)
37	793478	Guard-Flywheel (Muffler Side)	332	690662	Armature-Magneto
37A	697403	Guard-Flywheel (Carburetor Side)	333	793281	Screw (Magneto Armature)
40	692194	Retainer-Valve	334	691061	Plug-Spark
43	697799	Slinger-Governor/Oil	337	802592s	Wire-Stop
45	690762	Tappet-Valve	356	692390	Gasket Set-Engine
			358	794209	Screw (Carburetor)
			365	790029	Spring-Choke Diaphragm
			390	691839	

KEY NO.	PART NO.	DESCRIPTION	KEY NO.	PART NO.	DESCRIPTION
393	691837	Screen-Carburetor	851	493880s	Terminal-Spark Plug
394	795478	Diaphragm-Carburetor	868	697338	++ Seal-Valve
404	690272	Washer (Governor Crank)	869	699641	Seat-Valve (Intake)
455	691236	Cup-Flywheel	870	699642	Seat-Valve (Exhaust)
456	692299	Plate-Pawl Friction	871	699643	Bushing-Valve Guide (Exhaust Valve)
459	281505s	Pawl-Ratchet	- -	63709	Bushing-Valve Guide (Intake Valve)
505	691251	Nut (Governor Control Lever)	913	494409	Seat-Check Valve
523	692040	Dipstick	921	795397	Cover-Blower Housing
524	691876	Seal- Dipstick Tube	922	692135	Spring-Brake
525	691320	Tube-Dipstick	923	691487	Brake
529	692189	Grommet	957	497929s	Cap-Fuel
534	691417	Screw (Air Cleaner)	969	694046	Screw (Blower Housing Cover)
535	698369	Filter-Air Cleaner Foam	976	694394	Primer-Carburetor
536	698472	Cleaner-Air	1036	- - -	Label-Emissions (Available From a Briggs & Stratton Authorized Dealer)
562	691119	Bolt (Governor Control Lever)	1058	277038	Operator's Manual
592	690800	Nut (Rewind Starter)	1095	498526	Gasket Set-Valve
597	691696	Screw (Pawl Friction Plate)	1210	499901	Pulley/Spring Assembly (Pulley)
608	499706	Starter-Rewind	1211	499901	Pulley/Spring Assembly (Spring)
612	496046s	Tube-Pick Up	1218	695866	Seal-O Ring (Carburetor)
615	690340	Retainer-Governor Shaft	1329	10T802-0015	Replacement Engine
616	697405	Crank-Governor	1330	270962	Repair Manual
617	270344s	Seal-O Ring (Intake Manifold)	- -	398067	Spark Arrester (available accessory)
621	692310	Switch-Stop (Brake)			
633	691321	Seal-Choke/Throttle Shaft (Throttle Shaft)			
635	66538s	Boot-Spark Plug			
670	691633	Spacer-Fuel Tank			
689	691855	Spring-Friction			
718	690959	Pin-Locating			
724	697478	Retainer-Seal			
729	690586	Clip-Wire			
741	796210	Gear-Timing			
745	691146	Screw (Brake) (7/8" Long)			
745A	690859	Screw (Brake) (1/2" Long)			
842	691870	Seal-O Ring (Dipstick Tube)			
847	691440	Dipstick/Tube Assembly			

• Included in Engine Gasket Set, Key Number 358

+ Included in Valve Gasket Set, Key Number 1095

NOTE: All component dimensions given in U.S. inches. 1 inch = 25.4 mm

SERVICE NOTES

SERVICE NOTES

NEED MORE HELP?

You'll find the answer and more on managemyhome.com – for free!

- Find this and all your other product manuals online.
- Get answers from our team of home experts.
- Get a personalized maintenance plan for your home.
- Find information and tools to help with home projects.

manage **my** home

brought to you by Sears

Get it fixed, at your home or ours!

Your Home

For repair – **in your home** – of **all** major brand appliances, lawn and garden equipment, or heating and cooling systems, **no matter who made it, no matter who sold it!**

For the replacement parts, accessories and owner's manuals that you need to do-it-yourself.

For Sears professional installation of home appliances and items like garage door openers and water heaters.

1-800-4-MY-HOME[®] Anytime, day or night
(1-800-469-4663) (U.S.A. and Canada)
www.sears.com www.sears.ca

Our Home

For repair of carry-in products like vacuums, lawn equipment, and electronics, call or go on-line for the nearest **Sears Parts and Repair Center.**

1-800-488-1222 Anytime, day or night (U.S.A. only)
www.sears.com

To purchase a protection agreement (U.S.A.) or maintenance agreement (Canada) on a product serviced by Sears:

1-800-827-6655 (U.S.A.) **1-800-361-6665** (Canada)

Para pedir servicio de reparación a domicilio, y para ordenar piezas:

1-888-SU-HOGAR[®]
(1-888-784-6427)

Au Canada pour service en français:

1-800-LE-FOYER^{MC}
(1-800-533-6937)
www.sears.ca

Sears

© Sears Brands, LLC

® Registered Trademark / ™ Trademark / ℠ Service Mark of Sears Brands, LLC

© Marca Registrada / ™ Marca de Fábrica / ℠ Marca de Servicio de Sears Brands, LLC

MC Marque de commerce / MD Marque déposée de Sears Brands, LLC

Free Manuals Download Website

<http://myh66.com>

<http://usermanuals.us>

<http://www.somanuals.com>

<http://www.4manuals.cc>

<http://www.manual-lib.com>

<http://www.404manual.com>

<http://www.luxmanual.com>

<http://aubethermostatmanual.com>

Golf course search by state

<http://golfingnear.com>

Email search by domain

<http://emailbydomain.com>

Auto manuals search

<http://auto.somanuals.com>

TV manuals search

<http://tv.somanuals.com>