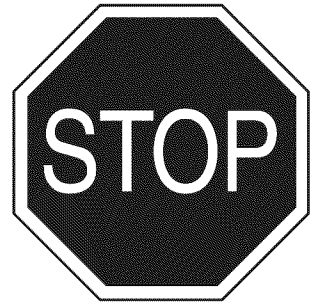


Owner's Manual

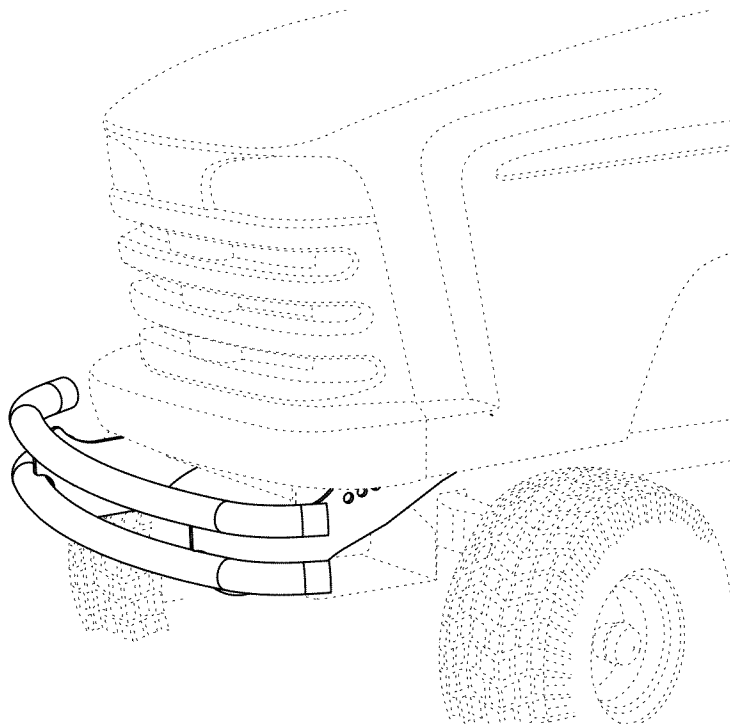


FRONT BUMPER

Model No. 486.24608

Fits 917 Series LT/YT/GT Tractors

DO NOT RETURN TO STORE
For Missing Parts or Assembly
Questions Call 1-866-576-8388



CAUTION:

Before using this product, read this manual and follow all Safety Rules and Operating Instructions.

- Safety
- Assembly
- Operation
- Maintenance
- Parts

Sears, Roebuck and Co., Hoffman Estates, IL 60179 U.S.A.
www.craftsman.com

WARRANTY

CRAFTSMAN ONE-YEAR FULL WARRANTY

When assembled, operated and maintained according to the supplied instructions, if this product fails due to a defect in material or workmanship within one year from the date of purchase, return it to any Sears store or other Craftsman outlet in the United States for free replacement.

This warranty is void if this product is ever used for commercial or rental purposes.

This warranty gives you specific legal rights, and you may also have other rights which vary from state to state.

Sears, Roebuck and Co., D817WA, Hoffman Estates, IL 60179



SAFETY



Any power equipment can cause injury if operated improperly or if the user does not understand how to operate the equipment. Exercise caution at all times when using power equipment.

- Refer to your tractor owners manual for "**Rules For Safe Operation**".



Look for this symbol to point out important safety precautions. It means — **Attention!! Become alert!! Your safety is involved.**

BEFORE YOU BEGIN

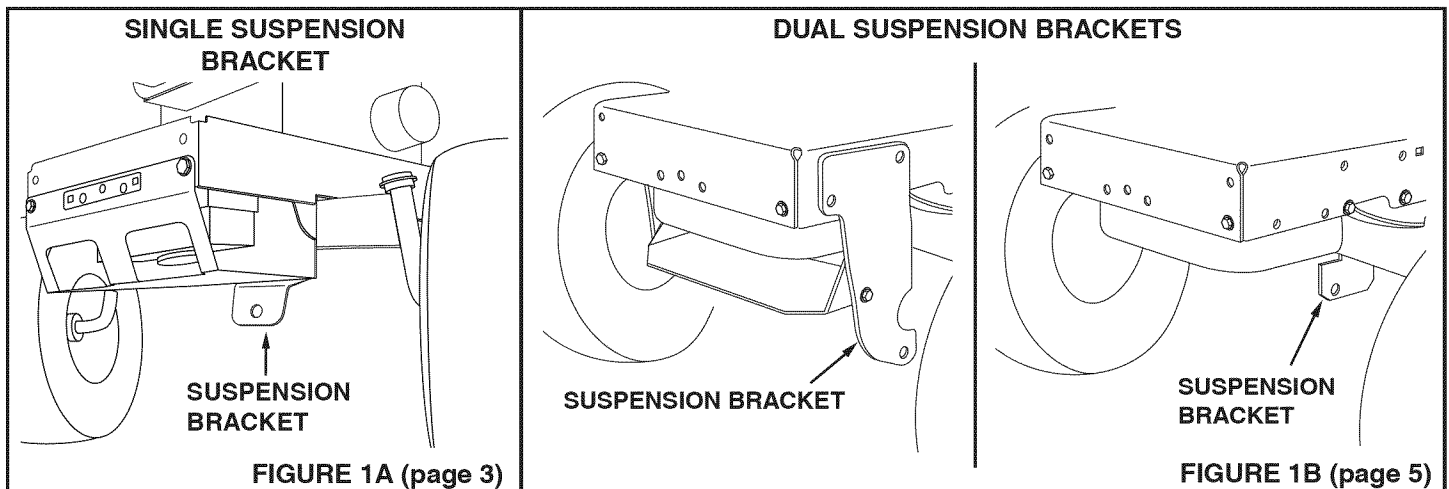
TOOLS REQUIRED

(2) 9/16" Wrenches (Socket wrench may be used)



CAUTION! Muffler is hot! Allow engine to cool down before proceeding with bumper installation.

DETERMINE IF YOUR TRACTOR HAS A SINGLE SUSPENSION BRACKET OR DUAL SUSPENSION BRACKETS



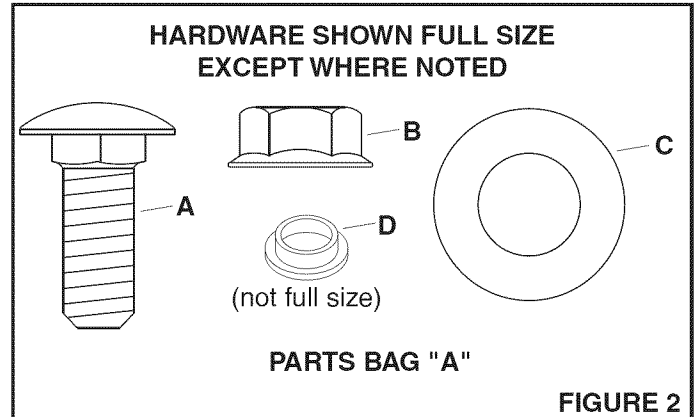
Look under the front of your tractor (Figure 1A & 1B). If there is a single mower deck suspension bracket located underneath the middle of the front axle, continue on to INSTRUCTIONS FOR SINGLE SUSPENSION BRACKET TRACTORS on page 3. If your tractor does not have a mower deck suspension bracket underneath the middle of the front axle, skip to INSTRUCTIONS FOR DUAL SUSPENSION BRACKET TRACTORS on page 5.

INSTRUCTIONS FOR SINGLE SUSPENSION BRACKET TRACTORS

STEP 1: (SEE FIGURE 2)

- Open parts bag labelled "A" and verify that all parts are present.

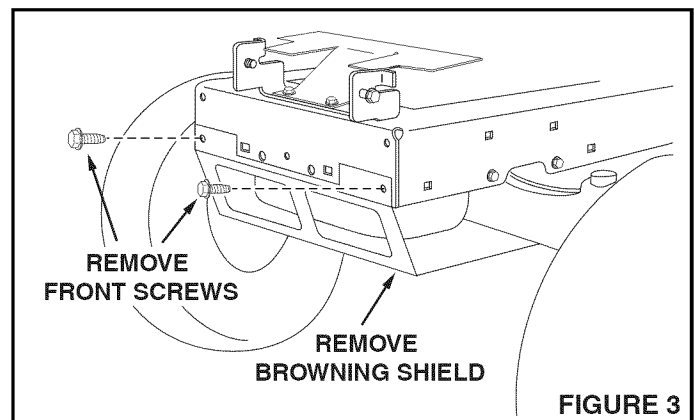
NOTE: Place cardboard or a mat on work surface to prevent scratching of parts removed from carton and tractor.



Ref.	Part	Qty.	Description
A	43350	4	Carriage Bolt, 3/8-16 x 1"
B	44072	4	Whizlock Nut, 3/8"
C	R19171616	4	Washer, 1/2" x 1"
D	47674	4	Plug
	66460	1	Bumper

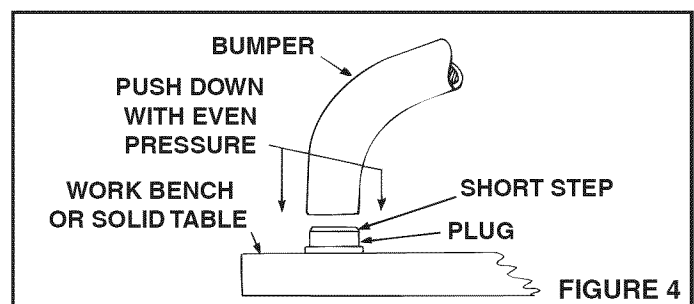
STEP 2: (SEE FIGURE 3)

- Remove tractor hood. (Refer to tractor manual.)
- Remove the browning shield as shown.



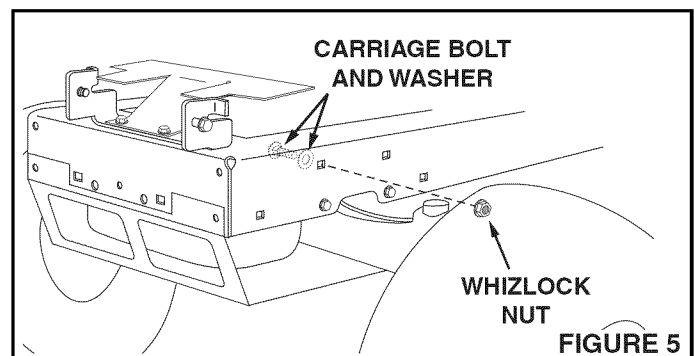
STEP 3: (SEE FIGURE 4)

- Place plug on a work bench or solid table and push end of bumper down onto plug. Repeat for remaining plugs.



STEP 4: (SEE FIGURE 5)

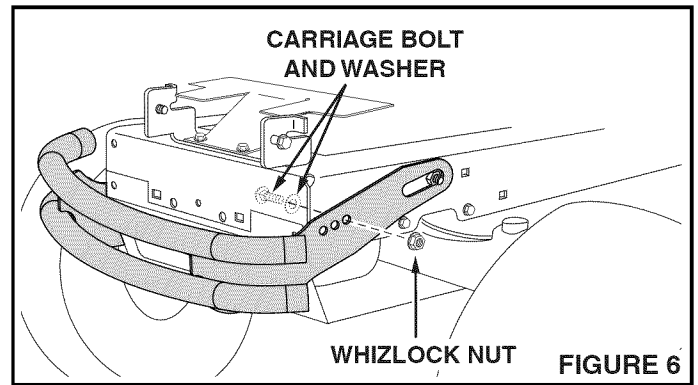
- Place a washer onto a carriage bolt and then insert the bolt into the second mounting hole from the front of the tractor frame. Securely tighten a whizlock nut onto the bolt on the outside of the tractor frame. Repeat on other side of tractor.



STEP 5: (SEE FIGURE 6)

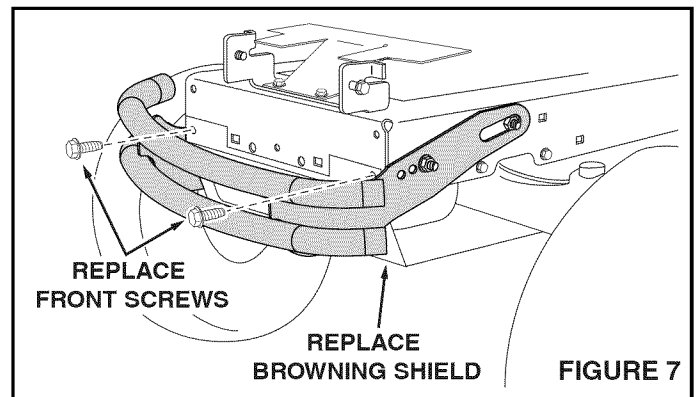
- Spread ends of bumper enough to fit slots onto bolts in rear mounting holes in tractor frame.
- The bumper has three mounting holes. The rear holes provide the most clearance while the forward holes provide a neater appearance. Use a hole that provides enough clearance for the hood to stay in raised position when opened. Place a washer onto a carriage bolt and insert the bolt through the tractor frame and into desired mounting hole on each side of bumper. Secure with a whizlock nut.

IMPORTANT: Before fully tightening nuts, be sure tractor hood will stay in raised position when opened.



STEP 6: (SEE FIGURE 7)

- Replace the browning shield using the front screws you removed in **Step 2**.



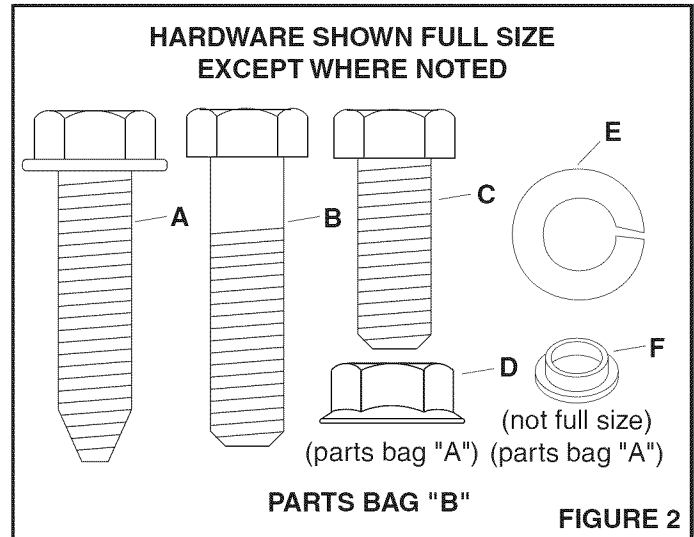
INSTRUCTIONS FOR DUAL SUSPENSION BRACKET TRACTORS

STEP 1: (SEE FIGURE 2)

- Open parts bags labelled "A" and "B" and verify that all parts needed are present.

NOTE: Place cardboard or a mat on work surface to prevent scratching of parts removed from carton and tractor.

NOTE: Not all hardware will be used. Unused parts may be discarded after assembly

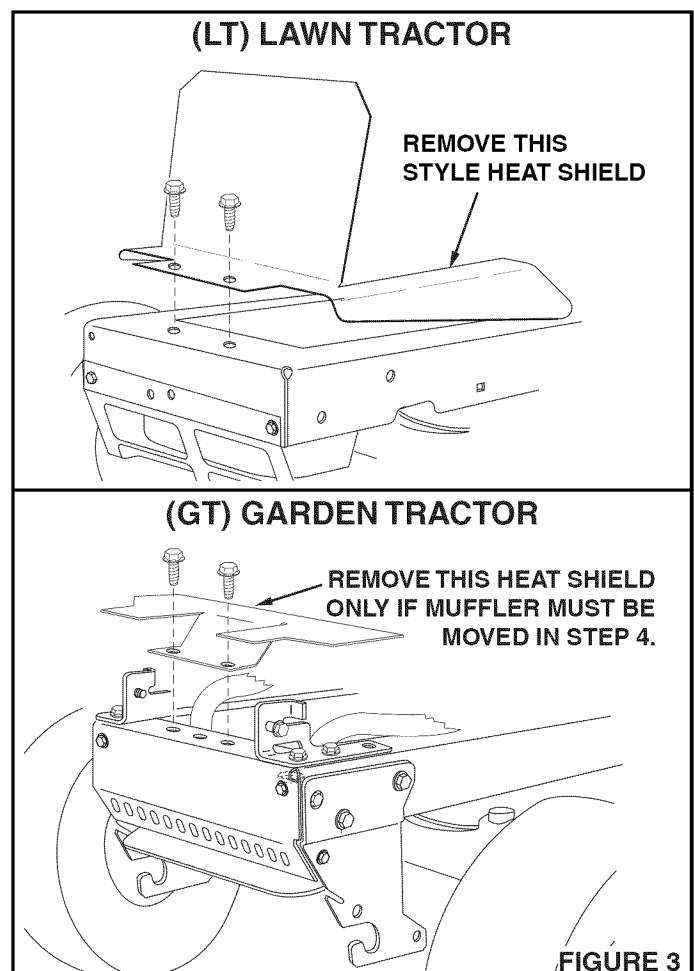


Ref.	Part	Qty.	Description
A	48894	2	Self Threading Bolt, 3/8-16 x 1-1/2"
B	43062	2	Hex Bolt, 3/8-16 x 1-1/2"
C	43001	4	Hex Bolt, 3/8-16 x 1"
D	44072	4	Whizlock Nut, 3/8"
E	43003	4	Lock Washer, 3/8"
F	47674	4	Plug
	65932	1	Bumper

STEP 2: (SEE FIGURE 3)

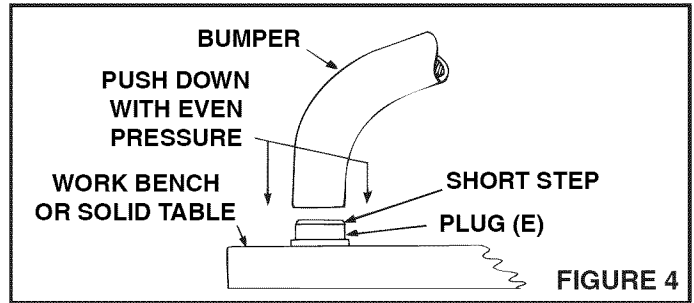
- Remove tractor hood. (Refer to tractor manual.)
- Remove an (LT) Lawn Tractor heat shield like the one shown. Remove a (GT) Garden Tractor heat shield like the one shown only if you need access to inside of tractor frame during step 5.

IMPORTANT: Be sure to re-attach the heat shield after bumper is installed.



STEP 3: (SEE FIGURE 4)

- Place plug on a work bench or solid table and push end of bumper down onto plug. Repeat for remaining plugs.

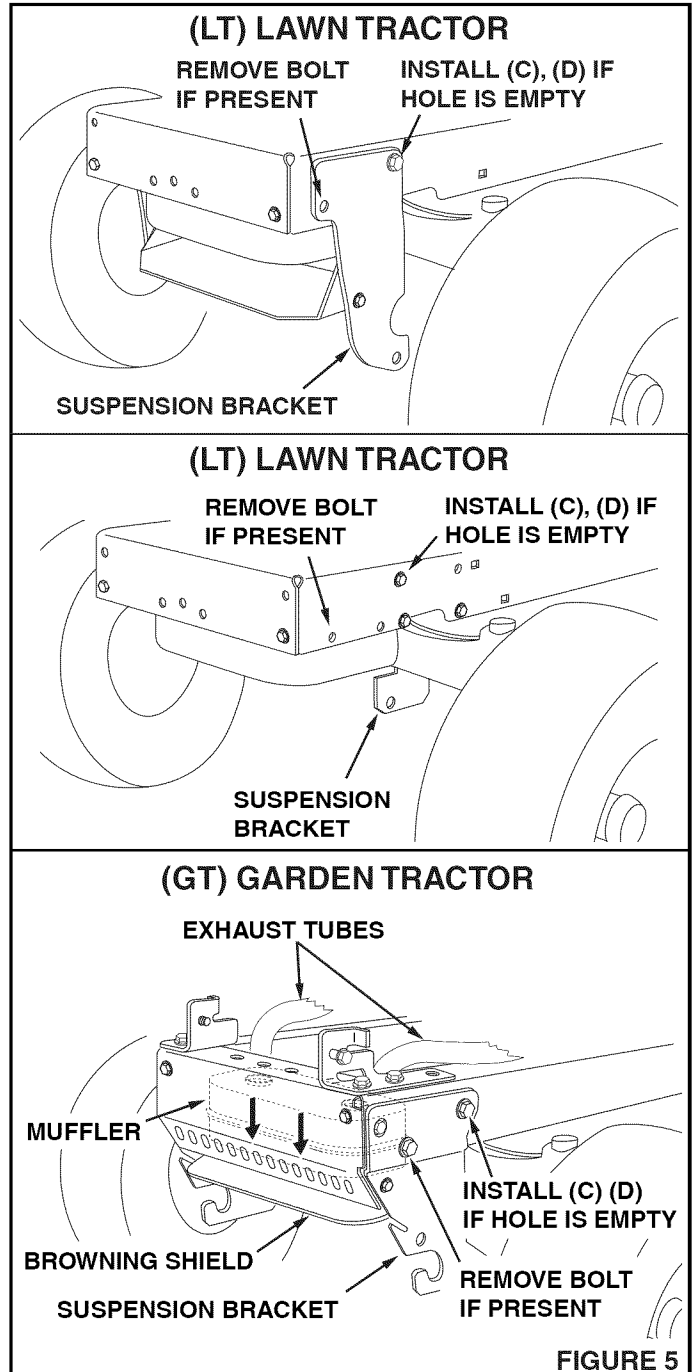


STEP 4: (SEE FIGURE 5)

- Remove any bolts present in **front** mounting holes in side of tractor frame. If bolt will not screw out of hole, check if a nut is present on bolt on inside of frame. On GT tractors, if access to nut is blocked by a front mounted muffler, slide muffler down exhaust tubes to rest on top of browning shield.

IMPORTANT: Be sure to re-attach muffler and heat shield after bumper is installed.

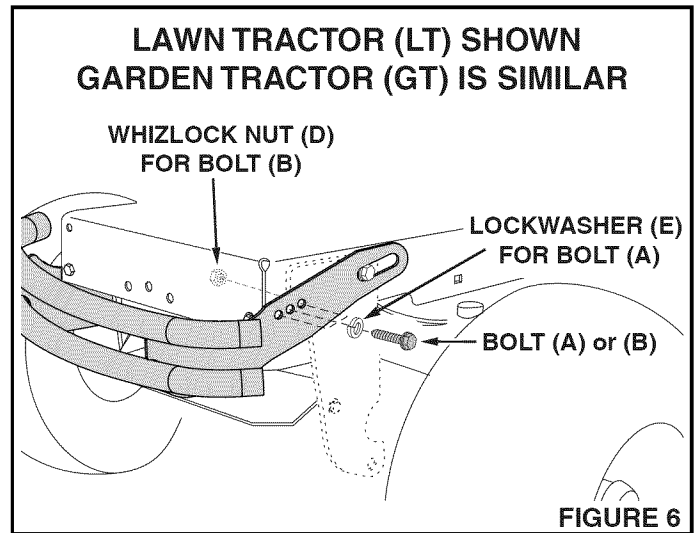
- If **rear** mounting holes in tractor frame are empty, install hex bolts and whizlock nuts supplied in the parts bags. See figure 5.



STEP 5: (SEE FIGURE 6)

- Spread ends of bumper enough to fit slots onto bolts in rear mounting holes in tractor frame.
- The bumper has three mounting holes. The rear hole provides the most clearance while the forward holes provide a neater appearance. Use a hole that provides enough clearance for hood to stay in raised position when opened. Attach the bumper using either standard hex bolts and whizlock nuts or self threading bolts and lock washers. Use the self threading bolts if standard hex bolts do not insert freely into the hole in the tractor frame.

IMPORTANT: Before fully tightening bolts, be sure tractor hood will stay in raised position when opened.



Get it fixed, at your home or ours!

Your Home

For expert troubleshooting and home solutions advice:

manage my home

www.managemyhome.com

For repair – **in your home** – of **all** major brand appliances, lawn and garden equipment, or heating and cooling systems, **no matter who made it, no matter who sold it!**

For the replacement parts, accessories and owner's manuals that you need to do-it-yourself.

For Sears professional installation of home appliances and items like garage door openers and water heaters.

1-800-4-MY-HOME[®] (1-800-469-4663)

Call anytime, day or night (U.S.A. and Canada)

www.sears.com www.sears.ca

Our Home

For repair of carry-in items like vacuums, lawn equipment, and electronics, call anytime for the location of your nearest

Sears Parts & Repair Service Center

1-800-488-1222 (U.S.A.) **1-800-469-4663** (Canada)

www.sears.com www.sears.ca

To purchase a protection agreement on a product serviced by Sears:

1-800-827-6655 (U.S.A.) **1-800-361-6665** (Canada)

Para pedir servicio de reparación a domicilio, y para ordenar piezas:

1-888-SU-HOGAR[®]

(1-888-784-6427)

Au Canada pour service en français:

1-800-LE-FOYER^{MC}

(1-800-533-6937)

www.sears.ca

Sears

© Registered Trademark / TM Trademark / SM Service Mark of Sears Brands, LLC

© Marca Registrada / TM Marca de Fábrica / SM Marca de Servicio de Sears Brands, LLC

MC Marque de commerce / MD Marque déposée de Sears Brands, LLC

© Sears Brands, LLC

Free Manuals Download Website

<http://myh66.com>

<http://usermanuals.us>

<http://www.somanuals.com>

<http://www.4manuals.cc>

<http://www.manual-lib.com>

<http://www.404manual.com>

<http://www.luxmanual.com>

<http://aubethermostatmanual.com>

Golf course search by state

<http://golfingnear.com>

Email search by domain

<http://emailbydomain.com>

Auto manuals search

<http://auto.somanuals.com>

TV manuals search

<http://tv.somanuals.com>