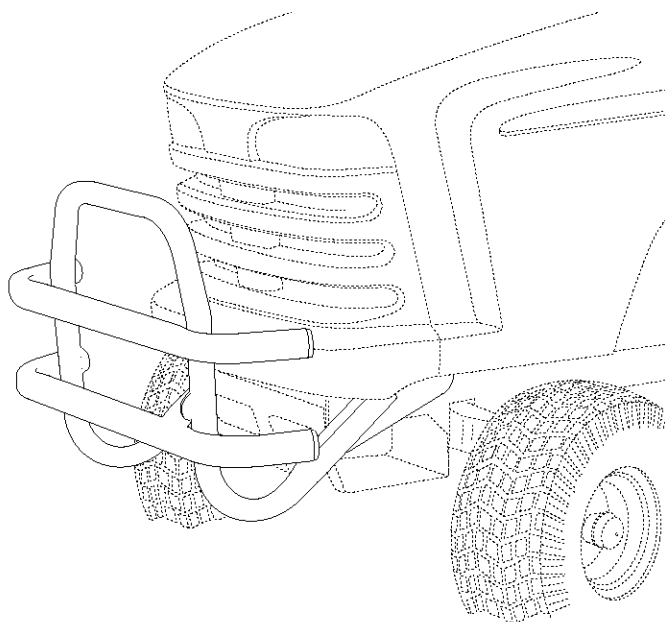


Owner's Manual

CRAFTSMAN®

TRACTOR BRUSH GUARD

Model No. 486.24621



CAUTION:

Before using this product, read this manual and follow all Safety Rules and Operating Instructions.

- Safety
- Assembly
- Operation
- Maintenance
- Parts

IMPORTANT - READ THIS FIRST!!!

For Missing Parts or Assembly Questions

Please Call 217-728-8388

Mon.-Fri. 7 am - 5 pm CST.

FAX 217-728-2032 or e-mail info@agri-fab.com

Missing parts will be sent UPS in 24 hours directly to your home.

Sears, Roebuck and Co., Hoffman Estates, IL 60179 U.S.A.

www.sears.com/craftsman

PRINTED IN U.S.A.

FORM NO. 48748 (1/03)



SAFETY



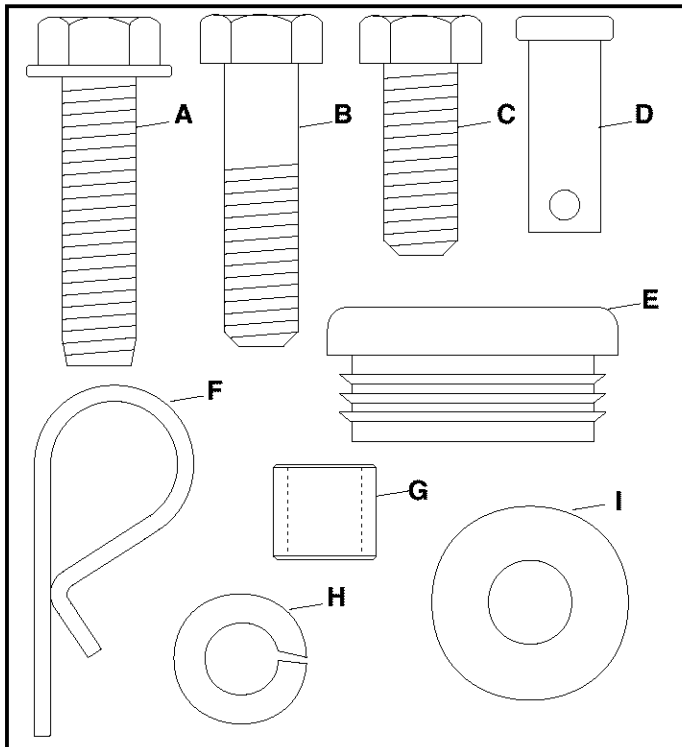
Any power equipment can cause injury if operated improperly or if the user does not understand how to operate the equipment. Exercise caution at all times, when using power equipment.

- Refer to your tractor owners manual for "Rules For Safe Operation".



Look for this symbol to point out important safety precautions. It mean--**Attention!!** Become alert!! Your safety is involved.

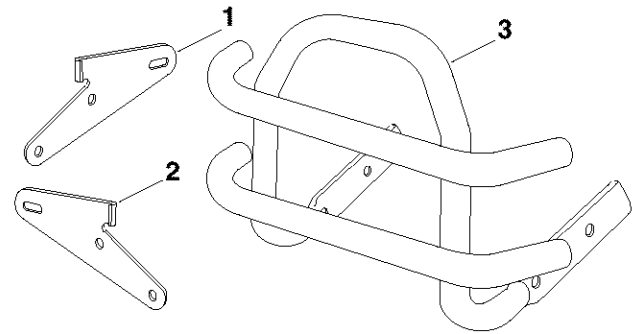
FULL SIZE HARDWARE CHART



Ref. No.	Part No.	Qty.	Description
A	48894	2	Self Threading Screw, 3/8-16 x 1-1/2"
B	43062	2	Hex Bolt, 3/8-16 x 1-1/2"
C	43001	2	Hex Bolt, 3/8-16 x 1"
D	45091	2	Clevis Pin, 3/8" x 1"
E	44742	4	Plug
F	43055	2	Hair Cotter Pin, 3/32"
G	48866	1	Pivot Spacer
H	43003	4	Lock Washer, 3/8"
I	43070	4	Washer, 3/8"

CARTON CONTENTS

1. L.H. Mounting Bracket #25037
2. R.H. Mounting Bracket #25038
3. Bumper #64614



ASSEMBLY INSTRUCTIONS

TOOLS REQUIRED

- (2) 9/16" Open End or Box Wrenches



CAUTION! Muffler is hot! Allow engine to cool down before proceeding with bumper installation.

- Place a plug on a work bench or solid table. Set end of bumper onto plug until it rests on short step of plug. Using even pressure, push down on bumper until end of bumper slips over plug. Assemble all four plugs. See figure 1.

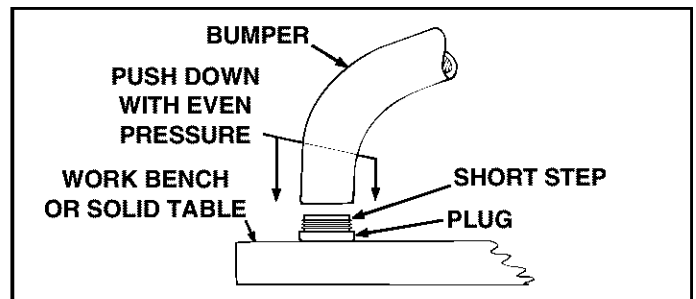


FIGURE 1

IMPORTANT: To help avoid misalignment of holes in tractor frame, lower the mower deck to the ground or disconnect it from the front brackets before removing any bolts from the tractor frame.

Front mower suspension brackets for both GT and LT tractors are shown in figure 2. Use a bumper mounting bracket to help identify the correct mounting holes.

- Lower the mower deck to the ground.
- Remove bolts on both sides of the tractor from two holes shown in figure 2.

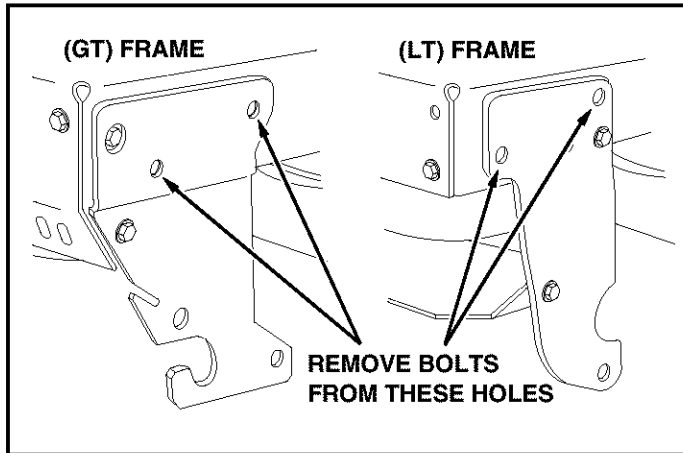


FIGURE 2

- Assemble the L.H. mounting bracket to the front left side of the tractor frame. Fasten to the rear hole using a 3/8" x 1" hex bolt, a 3/8" lock washer and a 3/8" flat washer. Align the middle hole in the mounting bracket with the hole in the tractor frame. Tighten the bolt enough to hold the bracket in place. Repeat for the R.H. mounting bracket. See figure 3.

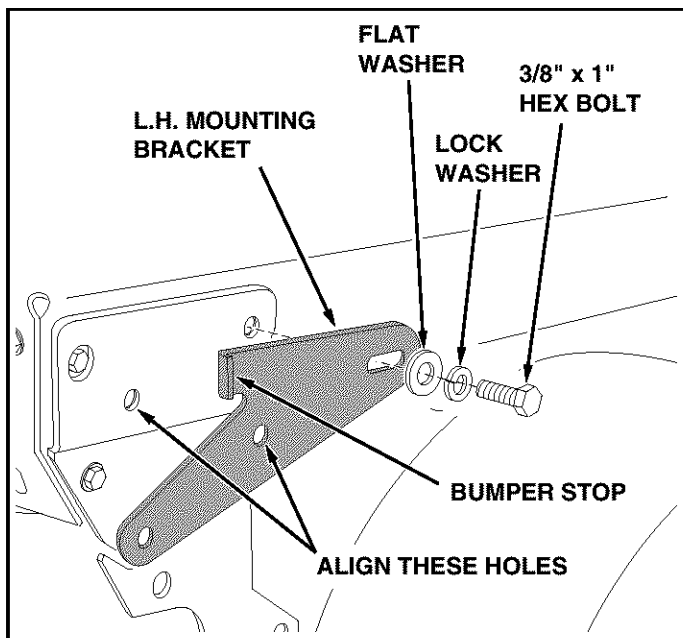


FIGURE 3

- Insert a pivot bushing into the rear hole in the bumper. Align the rear hole in the bumper with the middle hole in the L.H. mounting bracket and assemble a 3/8" x 1-1/2" hex bolt, a 3/8" lock washer and a 3/8" flat washer. Repeat on the R.H. side, then tighten both bolts. See figure 4.

NOTE: Use the 3/8" x 1-1/2" self threading screw in place of the hex bolt if there was no bolt in the front hole in the tractor frame and the hole is too small.

- Insert a 3/8" x 1" clevis pin into the front hole in the bumper and the front hole in the mounting brackets. Secure the clevis pins with 3/32" hair cotter pins. See figure 4.

IMPORTANT: Before raising the tractor's hood, you must first remove the clevis pins and lower the bumper down against the bumper stops on the L.H. and R.H. mounting brackets.

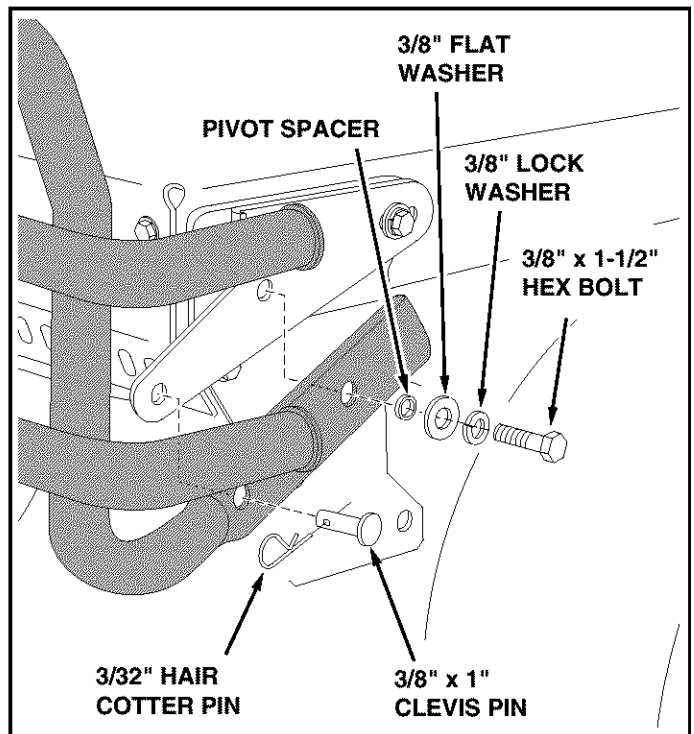


FIGURE 5

Get it fixed, at your home or ours!

For repair of major brand appliances **in your own home...**
no matter who made it, no matter who sold it!

1-800-4-MY-HOMESM Anytime, day or night
(1-800-469-4663)

www.sears.com

To bring in products such as vacuums, lawn equipment and electronics
for repair, call for the location of your nearest **Sears Parts & Repair Center.**

1-800-488-1222 Anytime, day or night

www.sears.com

For the replacement parts, accessories and owner's manuals
that you need to do-it-yourself, call **Sears PartsDirectSM!**

1-800-366-PART 6 a.m. – 11 p.m. CST,
(1-800-366-7278) 7 days a week

www.sears.com/partsdirect

To purchase or inquire about a Sears Service Agreement:

1-800-827-6655

7 a.m. – 5 p.m. CST, Mon. – Sat.

Para pedir servicio de reparación a domicilio,
y para ordenar piezas con entrega a domicilio:

1-888-SU-HOGARSM
(1-888-784-6427)

Au Canada pour service en français:

1-877-LE-FOYERSM
(1-877-533-6937)



Free Manuals Download Website

<http://myh66.com>

<http://usermanuals.us>

<http://www.somanuals.com>

<http://www.4manuals.cc>

<http://www.manual-lib.com>

<http://www.404manual.com>

<http://www.luxmanual.com>

<http://aubethermostatmanual.com>

Golf course search by state

<http://golfingnear.com>

Email search by domain

<http://emailbydomain.com>

Auto manuals search

<http://auto.somanuals.com>

TV manuals search

<http://tv.somanuals.com>