

# Owner's Manual



## HIGH PRESSURE WASHER

7.25 HORSEPOWER  
3000 PSI  
2.7 GPM  
Model No. 580.753000



PRESSURE WASHER  
CUSTOMER HELPLINE  
1-800-222-3136

HOURS: Mon. - Fri. 8 a.m. to 5 p.m. (CT)

**CAUTION:** Before using this product, read this manual and follow all Safety Rules and Operating Instructions.

SEARS, ROEBUCK and CO., Hoffman Estates, IL 60179 U.S.A.  
Visit our Craftsman website: [www.sears.com/craftsman](http://www.sears.com/craftsman)

Part No. 194190 Draft 4 (05/04/2004)

- Safety
- Assembly
- Operation
- Maintenance
- Parts
- Español



# TABLE OF CONTENTS

WARRANTY .....	2	STORAGE .....	16-17
SAFETY RULES .....	2-4	NOTES .....	18 & 27
KNOW YOUR PRESSURE WASHER .....	5	TROUBLESHOOTING .....	19
ASSEMBLY .....	6-8	REPLACEMENT PARTS .....	20-25
OPERATION .....	9-11	EMISSION CONTROL WARRANTY .....	26
MAINTENANCE .....	12-15	ESPAÑOL .....	28-47
SPECIFICATIONS .....	12	HOW TO ORDER PARTS .....	BACK PAGE

## WARRANTY

### LIMITED WARRANTY ON CRAFTSMAN PRESSURE WASHER

For one year from the date of purchase, when this Craftsman pressure washer is maintained and operated according to the instructions in the owner's manual, Sears will repair, free of charge, any defect in material and workmanship.

If this washer is used for commercial purposes, this warranty applies for only 90 days from the date of purchase. If this pressure washer is used for rental purposes, this warranty applies for only 30 days after date of purchase.

This warranty does not cover:

- Expendable items such as spark plugs or air filters, which become worn during normal use.
- Repairs necessary because of operator abuse or negligence, including damage resulting from no water being supplied to pump or failure to maintain the equipment according to the instructions contained in the owner's manual.

Warranty service is available by returning the pressure washer to the nearest Sears service center or dealer in the United States.

This warranty gives you specific legal rights and you may also have other rights, which vary from state to state.

**Sears, Roebuck and Co., Dept. 817WA, Hoffman Estates, IL 60179**

## SAFETY RULES



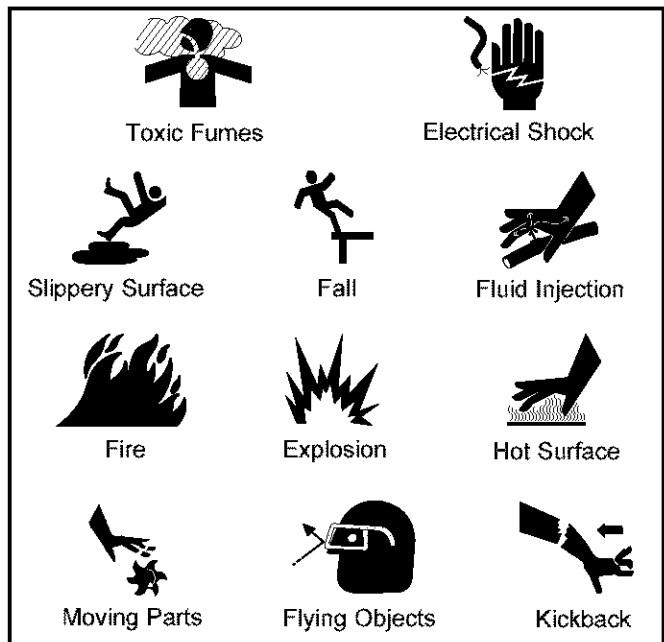
This is the safety alert symbol. It is used to alert you to potential personal injury hazards. Obey all safety messages that follow this symbol to avoid possible injury or death.



Read this manual carefully and become familiar with your pressure washer. Know its applications, its limitations, and any hazards involved.

The safety alert symbol (▲) is used with a signal word (DANGER, CAUTION, WARNING), a pictorial and/or a safety message to alert you to hazards. **DANGER** indicates a hazard which, if not avoided, *will* result in death or serious injury. **WARNING** indicates a hazard which, if not avoided, *could* result in death or serious injury. **CAUTION** indicates a hazard which, if not avoided, *might* result in minor or moderate injury. **CAUTION**, when used **without** the alert symbol, indicates a situation that could result in equipment damage. Follow safety messages to avoid or reduce the risk of injury or death.

### Hazard Symbols and Meanings



In the State of California a spark arrester is required by law (Section 4442 of the California Public Resources Code). Other states may have similar laws. Federal laws apply on federal lands. If you equip the muffler with a spark arrester, it must be maintained in effective working order. You can order a spark arrester through your authorized Sears service dealer.

### **WARNING**

The engine exhaust from this product contains chemicals known to the State of California to cause cancer, birth defects, or other reproductive harm.

### **DANGER**



Running engine gives off carbon monoxide, an odorless, colorless, poison gas. Some chemicals or detergents may be harmful if inhaled or ingested, causing severe nausea, fainting or poisoning. Breathing carbon monoxide will cause nausea, fainting or death.

- Operate pressure washer ONLY outdoors.
- Use a respirator or mask whenever there is a chance that vapors may be inhaled.
- Read all instructions packed with mask so you are certain mask will provide necessary protection against inhaling harmful vapors.

### **WARNING**



Spray contact with electrical wiring can result in electrocution.

- Keep water spray away from electric wiring or fatal electric shock may result.

### **WARNING**



Use of pressure washer can create puddles and slippery surfaces.



High pressure spray could cause you to fall if you are too close to the cleaning surface.

- Keep spray nozzle between 8 to 24 inches away from cleaning surface.
- Operate this unit on a stable surface.
- Cleaning area should have adequate slopes and drainage to reduce possibility of falls due to slippery surfaces.
- Be extremely careful if you must use pressure washer from a ladder, scaffolding or any other relatively unstable location.
- Firmly grasp spray gun with both hands when using high pressure spray to avoid injury if gun kicks back.



### **WARNING**



Fuel and its vapors are extremely flammable and explosive.



Fire or explosion can cause severe burns or death.

#### **WHEN ADDING FUEL**

- Turn pressure washer OFF and let it cool at least 2 minutes before removing gas cap.
- Fill fuel tank outdoors.
- DO NOT overfill tank. Allow space for fuel expansion.
- Keep fuel away from sparks, open flames, pilot lights, heat, and other ignition sources.
- DO NOT light a cigarette or smoke.

#### **WHEN OPERATING EQUIPMENT**

- DO NOT tip engine or equipment at angle which causes fuel to spill.
- DO NOT spray flammable liquids.

#### **WHEN TRANSPORTING OR REPAIRING EQUIPMENT**

- Transport/repair with fuel tank EMPTY or with fuel shutoff valve OFF.

#### **WHEN STORING FUEL OR EQUIPMENT WITH FUEL IN TANK**

- Store away from furnaces, stoves, water heaters, clothes dryers or other appliances that have pilot light or other ignition source because they can ignite fuel vapors.



### **WARNING**



The high pressure stream of water that this equipment produces can pierce skin and its underlying tissues, leading to serious injury and possible amputation.

- NEVER aim spray gun at people, animals or plants.
- DO NOT allow CHILDREN to operate pressure washer.
- NEVER repair high pressure hose. Replace it.
- Keep high pressure hose connected to pump and spray gun while system is pressurized.



### **WARNING**



Running engines produce heat and hot exhaust gases. Temperature of muffler and nearby areas can reach or exceed 150°F (65°C).



Fire or severe burns can occur.

- DO NOT touch hot surfaces.
- Stay clear of exhaust gases.
- Allow equipment to cool before touching.

### **WARNING**



Starter and other rotating parts can entangle hands, hair, clothing, or accessories.

- DO NOT wear loose clothing, jewelry or anything that may be caught in starter or other rotating parts.
- Tie up long hair and remove jewelry.

### **WARNING**



Unintentional sparking can result in fire or electric shock.

#### **WHEN ADJUSTING OR MAKING REPAIRS TO YOUR PRESSURE WASHER**

- Disconnect spark plug wire from spark plug and place wire where it cannot contact spark plug.

### **WARNING**



High pressure spray can cause paint chips or other particles to become airborne.

- Always wear eye protection when using equipment or when in vicinity of equipment in use.

### **CAUTION**

Excessively high or low operating speeds increase risk of injury and damage to pressure washer.

- DO NOT tamper with governed speed.
- DO NOT operate pressure washer above rated pressure.

### **CAUTION**

A pressure washer produces a high pressure spray which increases risk of injury and damage to unit.

- DO NOT secure spray gun in open position.
- DO NOT leave spray gun unattended while machine is running.
- NEVER use a spray gun which does not have a trigger lock or trigger guard in place and in working order.
- Always be certain spray gun, nozzles and accessories are correctly attached.

### **CAUTION**

High pressure spray may damage fragile items including glass.

- DO NOT point spray gun at glass when in jet spray mode.
- NEVER aim spray gun at plants.

### **CAUTION**

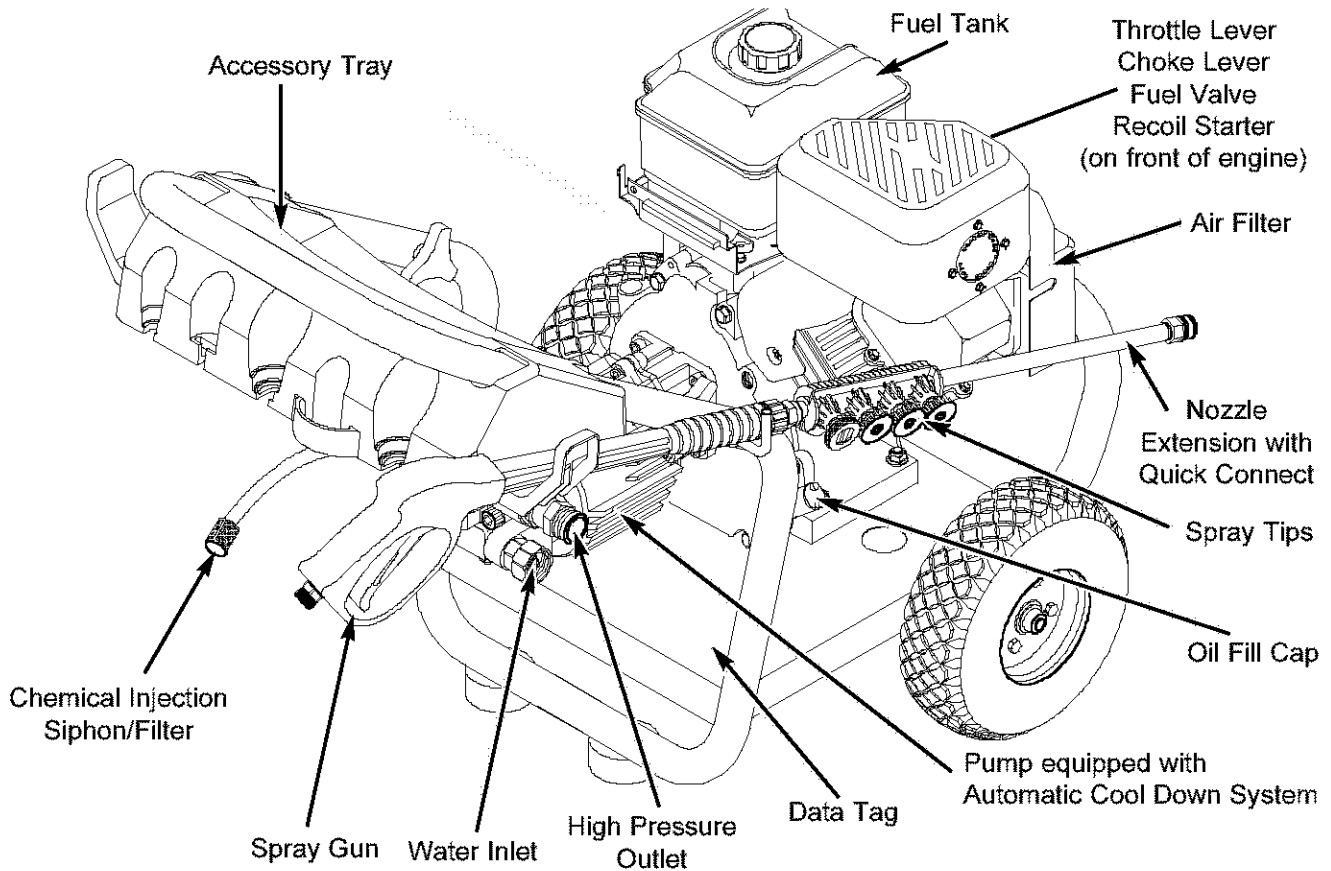
Improper treatment of pressure washer can damage it and shorten its life.

- If you have questions about intended use, ask dealer or contact Sears.
- NEVER operate units with broken or missing parts, or without protective housing or covers.
- DO NOT by-pass any safety device on this machine.
- Before starting pressure washer in cold weather, check all parts of the equipment to be sure ice has not formed there.
- NEVER move machine by pulling on high pressure hose. Use handle provided on unit.
- Check fuel system for leaks or signs of deterioration, such as chafed or spongy hose, loose or missing clamps, or damaged tank or cap. Correct all defects before operating pressure washer.
- This equipment is designed to be used with Sears authorized parts **ONLY**. If equipment is used with parts that DO NOT comply with minimum specifications, user assumes all risks and liabilities.

# KNOW YOUR PRESSURE WASHER

Read the owner's manual and safety rules before operating your pressure washer.

Compare the illustrations with your pressure washer to familiarize yourself with the locations of various controls and adjustments. Save this manual for future reference.



**Accessory Tray** — Provides convenient storage for standard and optional accessories, such as brushes, turbo wands, ect.

**Air Filter** — Protects engine by filtering dust and debris out of intake air.

**Automatic Cool Down System** — Cycles water through pump when water reaches 125°-155°F. Warm water will discharge from pump onto ground. This system prevents internal pump damage.

**Chemical Injection Siphon/Filter** — Use to siphon detergent or other pressure washer chemicals into the low pressure stream.

**Choke Lever** — Prepares a cold engine for starting.

**Data Tag** — Provides model, revision and serial number of pressure washer. Please have these readily available if calling for assistance.

**Fuel Tank** — Fill tank with regular unleaded fuel. Always leave room for fuel expansion.

**Fuel Valve** — Used to turn fuel on and off to engine.

**High Pressure Hose (not shown)** — Connect one end to the water pump and the other end to the spray gun.

**High Pressure Outlet** — To connect high pressure hose.

**Nozzle Extension with Quick Connect** — Allows you to switch between four different spray tips and turbo nozzle.

**Oil Fill Cap** — Fill engine with oil here. See page 7 for oil fill instructions.

**Pump** — Develops high pressure.

**Recoil Starter** — Use for starting the engine manually.

**Spray Gun** — Controls the application of water onto cleaning surface with trigger device. Includes safety latch.

**Spray Tips** — Chemical injection, 0°, 15°, and 40°: for various high pressure cleaning applications.

**Throttle Lever**—Sets engine in starting mode for recoil starter and stops a running engine.

**Water Inlet** — Connect garden hose here.

# ASSEMBLY

Your pressure washer requires some assembly and is ready for use only after it has been properly serviced with the recommended oil and fuel.

**If you have any problems with the assembly of your pressure washer, please call the pressure washer helpline at 1-800-222-3136.**

**IMPORTANT:** Any attempt to run the engine before it has been serviced with the recommended oil will result in an engine failure.

## REMOVE PRESSURE WASHER FROM CARTON

1. Slice two corners opposite guide handle end of carton from top to bottom so panel can be folded down flat.
2. Remove fillers, accessories and parts bag shipped with your pressure washer.
3. Roll pressure washer out open end of carton.
4. Check carton for additional loose parts.

## CARTON CONTENTS

Check all contents. If any parts are missing or damaged, call the pressure washer helpline at 1-800-222-3136.

- Main Unit
- Handle
- Plastic Accessory Tray
- High Pressure Hose
- Spray Gun
- Hose Reel
- Turbo Nozzle with Quick Connect Fitting
- Nozzle Extension with Quick Connect Fitting and Spray Tip Holder
- Oil Bottle
- Parts Bag (which includes the following):
  - Owner's Manual
  - Owner's Registration Card
  - Bag containing 4 multi-colored Quick Connect Spray Tips
  - Handle Fastening Hardware Kit (which includes):
    - Carriage Bolt
    - "L" Bolt
    - Plastic Knobs (2)
    - "J" Hook
    - Chemical Hose Clip
    - Self Tapping Screws (4)

Become familiar with each piece before assembling the pressure washer. Check all contents against the illustration on page 5. If any parts are missing or damaged, call the pressure washer helpline at 1-800-222-3136.

## ASSEMBLING YOUR PRESSURE WASHER

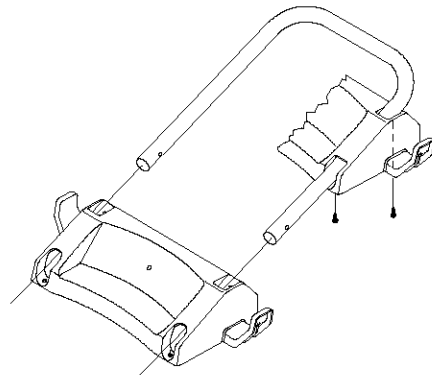
Your Craftsman high pressure washer was mostly assembled at the factory. However, you will need to perform these tasks before you can operate your pressure washer:

1. Fill out and send in registration card.
2. Attach accessory tray to handle, then attach handle to main unit.
3. Add oil to engine crankcase.
4. Add fuel to fuel tank.
5. Connect high pressure hose to spray gun and pump.
6. Connect water supply to pump.
7. Attach nozzle extension to spray gun.
8. Select/attach quick connect spray tip to nozzle extension.
9. Attach hose reel according to instruction sheet included in hose reel box.

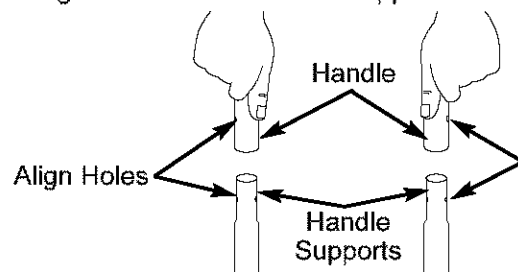
### Attach Handle and Accessory Tray

**NOTE:** All assembly operations given in this section will be described from the perspective of assembling the pressure washer from the rear.

1. Slide plastic accessory tray onto handle and align holes in accessory tray with holes on handle.

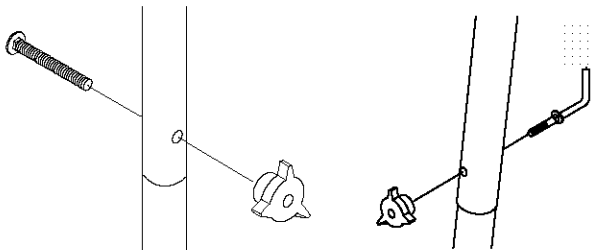


2. Secure tray to handle with self tapping screws using a #2 phillips screwdriver. Ensure screws are tight but not crushing the plastic accessory tray.
3. Place handle assembly onto handle supports connected to main unit. Make sure holes in handle align with holes on handle supports.

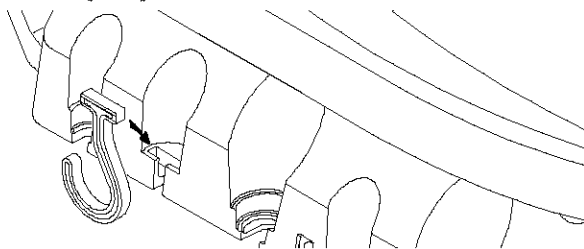


**NOTE:** It may be necessary to move the handle supports from side to side in order to align the handle so it will slide over the handle supports.

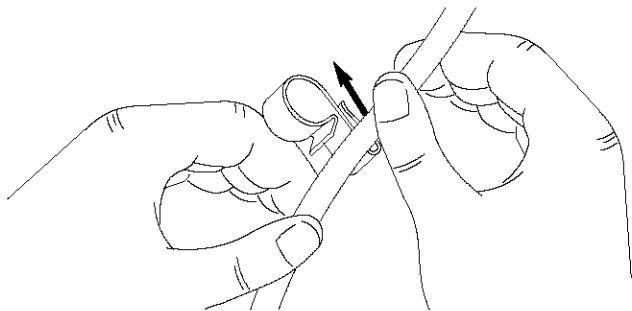
4. Insert "L" bolt through hole on right side of handle (viewing from handle side of unit) and attach plastic knob. Tighten knob by hand.



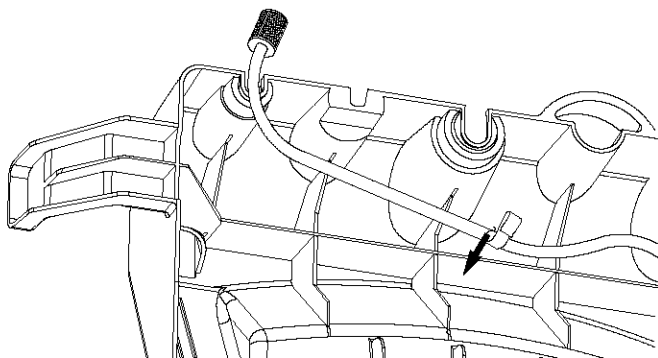
5. Insert carriage bolt through left side hole from outside of unit and attach a plastic knob from inside of unit (viewing unit from the handle side). Tighten by hand.
6. Insert "J" hook into second from left slot in accessory tray.



7. Pinch chemical hose and slide it into metal clip as shown.



8. Tilt unit up by handle and attach metal clip to rib on center underside of accessory tray. Slide chemical hose through metal clip so that it is tight but not kinked.

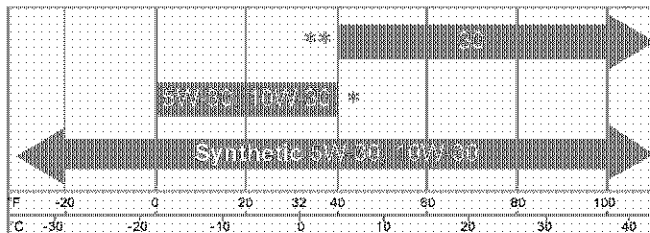


## Add Engine Oil

**IMPORTANT:** Any attempt to crank or start the engine before it has been properly serviced with the recommended oil may result in an engine failure.

**NOTE:** When adding oil to the engine crankcase, use only high quality detergent oil rated with API service classification SF, SG, SH, SJ or higher rated SAE 30 weight. **DO NOT** use special additives.

1. Choose a viscosity according to table below.



STARTING TEMPERATURE RANGE ANTICIPATED BEFORE NEXT OIL CHANGE

\* The use of multi-viscosity oils (5W-30, 10W-30, etc.) in temperatures above 40°F (4°C) will result in higher than normal oil consumption. When using a multi-viscosity oil, check oil more frequently.

\*\* If using SAE 30 oil in temperatures below 40°F (4°C), it will result in hard starting and possible engine bore damage due to inadequate lubrication.

2. Place pressure washer on a level surface.
3. Clean area around oil fill.
4. Remove oil fill cap.
5. Pour oil slowly. Fill to the point of overflowing.
6. Replace oil fill cap, tighten securely.

**NOTE:** Check oil often during engine break-in.

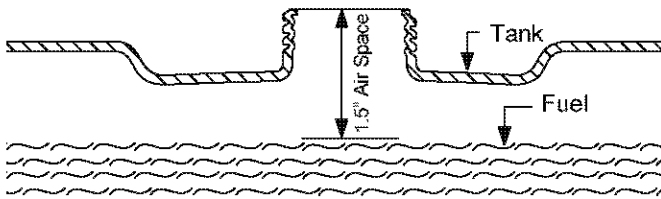
## Add Fuel

**WARNING!** NEVER fill fuel tank indoors. NEVER fill fuel tank when engine is running or hot. Allow unit to cool for two minutes before refueling. **DO NOT** light a cigarette or smoke when filling the fuel tank.

**WARNING!** NEVER fill fuel tank completely full. Provide space for fuel expansion. Wipe away any fuel spillage from engine and equipment before starting.

- Use fresh, clean unleaded automotive fuel and store in approved, clean, covered containers. Use clean fill funnels. NEVER use "stale" fuel left over from last season or fuel stored for long periods.
- Clean area around fuel fill cap, remove cap.

- Slowly add fuel to fuel tank. Use a funnel to prevent spillage. Fill tank to about 1.5" below top of the filler neck.



- Install fuel cap and wipe up any spilled fuel.

**IMPORTANT:** It is important to prevent gum deposits from forming in essential fuel system parts, such as the carburetor, fuel filter, fuel hose or tank during storage. Also, experience indicates that alcohol-blended fuels (called gasohol, ethanol or methanol) can attract moisture, which leads to separation and formation of acids during storage. Acidic gas can damage the fuel system of an engine while in storage.

To avoid engine problems, the fuel system should be emptied before storage of 30 days or longer. See "Storage" on pages 16-17. NEVER use engine or carburetor cleaner products in the fuel tank or permanent damage may occur.

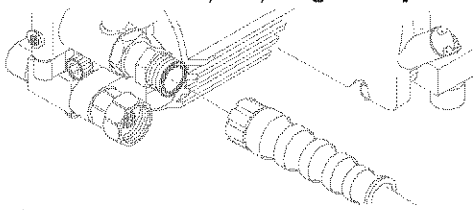
### Connect Hose and Water Supply to Pump

**IMPORTANT:** To avoid pump damage, you must assemble the nozzle extension to the spray gun and attach all hoses before you start the engine.

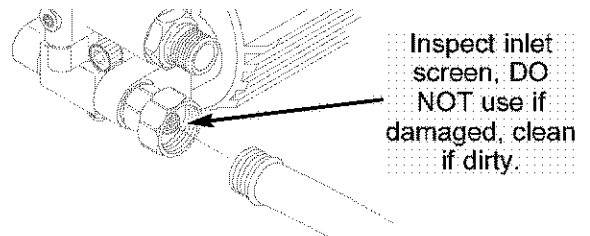
1. Uncoil high pressure hose and attach one end of hose to base of spray gun. Tighten by hand.



2. Remove and discard shipping caps from pump inlet and outlet.
3. Attach other end of high pressure hose to high pressure outlet on pump. Tighten by hand.



4. Before connecting garden hose to water inlet, inspect inlet screen. Clean screen if it contains debris or have it replaced if damaged. **DO NOT run pressure washer if inlet screen is damaged.**



5. Run water through garden hose for 30 seconds to flush it of debris. Turn off water.

**IMPORTANT:** DO NOT siphon standing water for the water supply. Use ONLY cold water (less than 100°F).

6. Connect garden hose (not to exceed 50 feet in length) to water inlet. Tighten by hand.

### CAUTION

There MUST be at least ten feet of unrestricted garden hose between the pressure washer inlet and any flow shut off device, such as a 'Y' shut-off connector or other convenience-type water shut-off valve.

- Damage to equipment resulting from failure to follow this instruction will void warranty.

7. Turn ON water and squeeze trigger on spray gun to purge pump system of air and impurities.



### WARNING



High pressure spray can cause paint chips or other particles to become airborne.

- Always wear eye protection when using this equipment or in vicinity of where equipment is in use.
- Before starting the pressure washer, be sure you are wearing adequate eye protection.

### CHECKLIST BEFORE STARTING ENGINE

Review the assembly to ensure you have performed all of the following:

1. Check that oil has been added to proper level in engine crankcase.
2. Add proper fuel to fuel tank.
3. Check for properly tightened hose connections (high pressure and water supply) and for tight connections and that there are no kinks, cuts, or damage to the high pressure hose.
4. Provide proper water supply (not to exceed 100°F).
5. Be sure to read "Safety Rules" and "Operation" sections before using the pressure washer.
6. If starting unit after storage, see "Storage" section on pages 16-17.



# OPERATION

## HOW TO USE YOUR PRESSURE WASHER

If you have any problems operating your pressure washer, please call the pressure washer helpline at 1-800-222-3136.

### To Start Your Pressure Washer

To start your engine-powered pressure washer for the first time, follow these instructions step-by-step. This starting information also applies whenever you start the engine after you have let the pressure washer sit idle for at least a day.

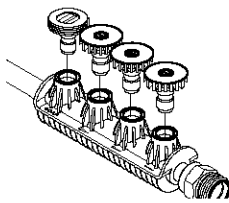
1. Place pressure washer near an outside water source capable of supplying water at a flow rate greater than 3.7 gallons per minute and no less than 20 PSI at pressure washer end of garden hose.
2. Check that high pressure hose is tightly connected to spray gun and pump. See "Assembling Your Pressure Washer" for illustrations.
3. Make sure unit is in a level position.
4. Connect garden hose to water inlet on pressure washer pump. **Turn ON water.**

### CAUTION

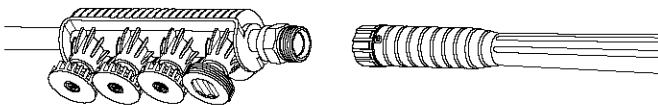
**DO NOT** run the pump without the water supply connected and turned on.

- Damage to equipment will result from failure to follow this instruction.

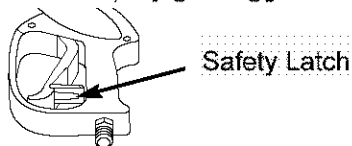
5. Squeeze trigger on gun to purge pump system of air and impurities.
6. Place colored quick connect spray tips in slots on holder that's attached to nozzle extension.



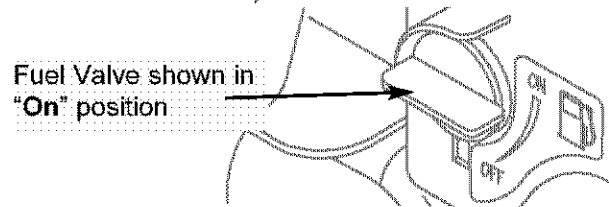
7. Attach nozzle extension to spray gun. Tighten by hand.



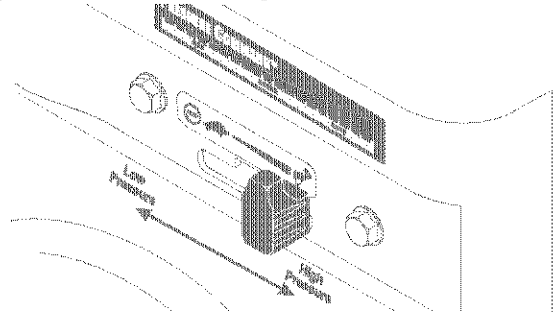
8. Choose spray tip you want to use and insert it into nozzle extension. See "How to Use Spray Tips" on page 10.
9. Engage safety latch to spray gun trigger.



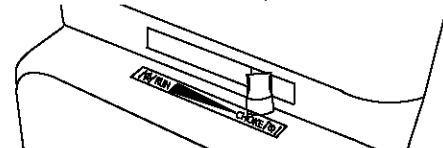
10. Rotate fuel shut-off valve to "On" position (fully counter-clockwise).



11. Move variable pressure control lever to "High" position, shown on engine as a rabbit.



12. Move choke lever to "Choke" position.



**NOTE:** For a warm engine, be sure the choke lever is in the "Run" position.

13. Grasp handle and pull the recoil starter lightly until you feel some resistance, then pull briskly.
14. Return recoil starter slowly. **DO NOT** let rope "snap back" against starter.
15. When engine starts, slowly move choke lever to "Run" position as engine warms. If engine falters, move choke lever to "Choke" position, then to "Run" position.
16. If engine fires, but does not continue to run, squeeze trigger on spray gun to relieve internal pump pressure. Move choke lever to "Run" position, and repeat steps 13 through 15.
17. If engine fails to start after six pulls, move choke lever to "Run" position, and repeat steps 13 through 15.



### CAUTION

Avoid injury from kickback.

- When starting engine, pull cord slowly until resistance is felt and then pull rapidly to avoid kickback.
- If engine starts and fails to continue to run or if increased resistance is felt during starting pull attempts, squeeze trigger on spray gun.

## How to Stop Your Pressure Washer

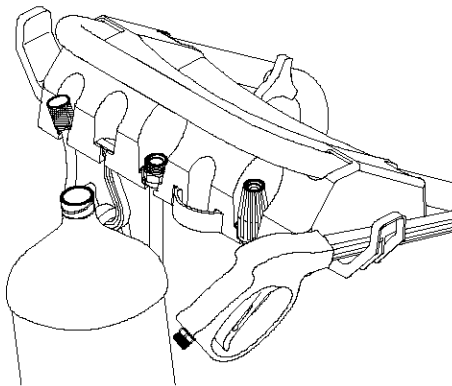
- Move variable pressure control lever on engine to "Stop" position.
- Squeeze trigger on the spray gun to relieve pressure in the hose.

**NOTE:** A small amount of water will squirt out when you release the pressure.

## How to Use Accessory Tray

The unit is equipped with an accessory tray with places to store your nozzle extension and turbo nozzle, and slots to hold the cleaning solution bottle and the detergent siphoning filter. There are also two hooks at the ends of the handle to hold your spray gun.

1. Place nozzle extension through hole on accessory tray as shown.



2. Hang chemical solution bottle on "J" hook and place detergent siphoning filter in last slot on left.
3. Place turbo nozzle in the last slot on right in tray.
4. Place spray gun on hook attached to accessory tray on right side of unit.

## How to Use Spray Tips

The quick-connect on the nozzle extension allows you to switch between four different spray tips. The spray tips vary the spray pattern as shown above.

### **CAUTION**

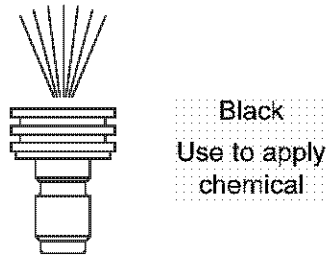
A pressure washer produces a high pressure spray which increases risk of injury and damage to unit.

- NEVER exchange spray tips without locking the safety latch on the trigger.

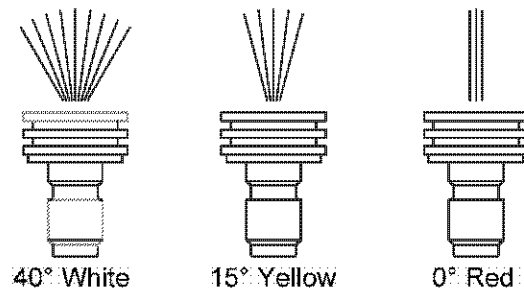
### Follow these instructions to change spray tips:

1. Engage safety latch on spray gun.
2. Pull back collar on quick-connect and pull current spray tip off. Store spray tips in holder provided on the nozzle extension.
3. Select desired spray tip:
  - For gentle rinse, select white 40° spray tip.
  - To scour surface, select yellow 15° or red 0° spray tip.
  - To apply chemical, select black spray tip.

## Low Pressure



## High Pressure



4. Pull back on collar, insert new spray tip and release collar. Tug on spray tip to make sure it is securely in place.
5. For most effective cleaning, keep spray tip from 8 to 24 inches away from cleaning surface. If you get spray tip too close, you may damage cleaning surface. DO NOT get closer than 6 inches when cleaning tires.

## How to Use the Turbo Nozzle

The turbo nozzle rotates the high pressure stream in a rapid circular pattern. Always start the turbo nozzle at a distance, gradually getting closer to the surface until you get the cleaning force you want.

1. Pull back collar on quick-connect and pull current spray tip off. Store spray tips in holder provided on the nozzle extension.
2. Pull back on collar, insert turbo nozzle and release collar. Tug on turbo nozzle to make sure it is securely in place.
3. For most effective cleaning, keep turbo nozzle from 8 to 24 inches away from cleaning surface. If you get turbo nozzle too close, you may damage cleaning surface.

**NOTE:** Detergent cannot be applied with the turbo nozzle.

## Cleaning and Applying Chemical

**IMPORTANT:** Use chemicals designed specifically for pressure washers. Household detergents could damage the pump.

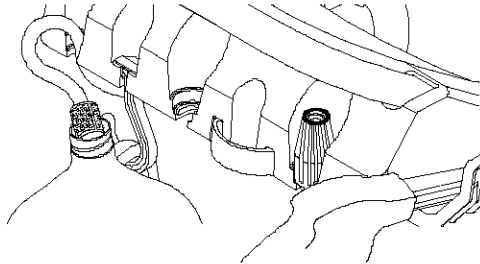
### **CAUTION**

You must attach all hoses before you start the engine.

- Starting the engine without all the hoses connected and without the water turned ON will damage the pump.

**To apply detergent follow these steps:**

1. Review spray tip use.
2. Prepare detergent solution as required by manufacturer.
3. Hang detergent solution on "J" hook attached to accessory tray.



4. Place filter end of detergent siphoning tube into detergent container.

**CAUTION**

Keep the chemical injection tube from coming in contact with the hot muffler.

- When inserting the filter into a detergent solution bottle, route the tube so as to keep it from inadvertently contacting the hot muffler.

5. Make sure black spray tip is installed.
- NOTE:** Detergent cannot be applied with the high pressure spray tips (White, Yellow, or Red).
6. Make sure garden hose is connected to water inlet. Check that high pressure hose is connected to spray gun and pump and start engine.
  7. Apply detergent to a dry surface, starting at lower portion of area to be washed and work upward, using long, even, overlapping strokes.
  8. Allow detergent to soak in between 3–5 minutes before washing and rinsing. Reapply as needed to prevent surface from drying. **DO NOT** allow detergent to dry on (prevents streaking).

**IMPORTANT:** You must flush the chemical injection system after each use by placing the filter into a bucket of clean water, then run the pressure washer in low pressure for 1-2 minutes.

**Pressure Washer Rinsing**

**Wash and Rinse Surface**

This pressure washer permits regulation of output water pressure by varying the engine speed. The variable pressure control lever found on the front of the engine may be set as shown:

<b>Pressure</b>	Low	to	High
<b>Duty</b>	Light	Medium	Heavy
<b>Application</b>	Auto	Concrete	Paint removal
	Boat	Driveway	Degreasing
	Furniture	Deck	

**After you have applied detergent, scour the surface and rinse it clean as follows:**

1. Apply safety latch to spray gun.
2. Remove black chemical nozzle from nozzle extension.
3. Select and install desired high pressure nozzle following instructions "How to Use Spray Tips" on page 10.
4. Keep spray gun a safe distance from the area you plan to spray.

**WARNING**

High pressure spray could cause you to fall if you are too close to the cleaning surface.

- Keep spray nozzle between 8 to 24 inches away from cleaning surface.
- Operate this unit on a stable surface.
- Be extremely careful if you must use the pressure washer from a ladder, scaffolding or any other relatively unstable location.
- Firmly grasp spray gun with both hands when using high pressure spray to avoid injury if gun kicks back.

5. Adjust spray pressure by sliding variable pressure control lever left or right, as shown on page 9.
6. Apply a high pressure spray to a small area and then check the surface for damage. If no damage is found, you can assume it is okay to continue rinsing.
7. Start at top of area to be rinsed, working down with same overlapping strokes as you used for cleaning.

**How to Use the Hose Reel**

Your pressure washer is equipped with a hose reel that is designed to store your hose when unit is not in use. These instructions are for short term storage only. For long term storage see "Storage" on page 16.

**After each use:**

1. Disconnect hose from spray gun and high pressure outlet on pump.
2. Drain water from hose.
3. Slide one end of hose into hole on hose reel. Turn hose reel with handle to coil hose onto reel.

**IMPORTANT:** **DO NOT** use your pressure washer with the hose coiled onto the hose reel. The hose reel is for storage purposes only.

**Automatic Cool Down System (Thermal Relief)**

If you run the engine on your pressure washer for 3-5 minutes without pressing the trigger on the spray gun, circulating water in the pump can reach temperatures above 125°F. The system engages to cool the pump by **discharging the warm water onto the ground.**

# MAINTENANCE

## OWNER'S RESPONSIBILITIES

Follow the hourly or calendar intervals, whichever occurs first.  
More frequent service is required when operating in adverse conditions noted below.

MAINTENANCE SCHEDULE FILL IN DATES AS YOU COMPLETE REGULAR SERVICE	HOURLY OPERATING INTERVAL			SERVICE DATES			
	Before Each Use	Every 50 Hours or Yearly	Every 100 Hours or Yearly				
<b>PRESSURE WASHER</b>							
Check/clean water inlet screen	X <sup>1</sup>						
Check high pressure hose	X						
Check detergent hose	X						
Check spray gun and assembly for leaks	X						
Purge pump of air and contaminants	X						
Change pump oil		X					
Prepare pump for storage below 32°F	See "Storage" on pages 16.						
<b>ENGINE</b>							
Check oil level	X						
Change engine oil		X <sup>2</sup>					
Service air cleaner			X <sup>3</sup>				
Service spark plug			X				
Service spark arrester		X					
Prepare for storage	If unit is to remain idle for longer than 30 days.						

<sup>1</sup> Clean if clogged. Replace if perforated or torn.

<sup>2</sup> Change oil after the first (5) operating hours and every 50 hours or every year, whichever occurs first, thereafter.  
Change sooner when operating under dirty or dusty conditions.

<sup>3</sup> Replace more often under dirty or dusty conditions.

## PRODUCT SPECIFICATIONS

### Pressure Washer Specifications

Pressure ..... 3000 PSI  
 Flow Rate ..... 2.7 GPM  
 Chemical Mix ..... Use as directed  
 Water Supply Temperature ..... Not to Exceed 100°F  
 Shipping Weight ..... 75 lbs.

### Engine Specifications

Rated Horsepower ..... 7.25 HP  
 Spark Plug Type:  
 Long Life Platinum ..... Champion RC12PYP  
 Resistor ..... Champion RC12YC  
 Set Gap To: ..... 0.020 inches  
 (0.50mm)  
 Fuel Capacity ..... 3.0 Quarts  
 Oil  
 Above 40°F ..... SAE 30  
 0°F - 40°F ..... SAE 5W-30 or 10W-30

## GENERAL RECOMMENDATIONS

The pressure washer's warranty does not cover items that have been subjected to operator abuse or negligence. To receive full value from the warranty, the operator must maintain pressure washer as instructed in this manual including proper storage as detailed in "Storage" on pages 16-17.

Some adjustments will need to be made periodically to properly maintain your pressure washer.

All service and adjustments should be made at least once each season. Follow the requirements in the "Maintenance Schedule" chart above.

**NOTE:** Once a year you should clean or replace the spark plug and replace the air filter. A new spark plug and clean air filter assure proper fuel-air mixture and help your engine run better and last longer.

If equipped with inflatable tires, keep the air pressure at the value marked on the tire or within 15 and 40 psi.

## BEFORE EACH USE

1. Check engine oil level.
2. Check water inlet screen for damage.
3. Check high pressure hose for leaks.
4. Check chemical filters for damage.
5. Check spray gun and nozzle extension assembly for leaks.
6. Purge pump of air and contaminants.



## PRESSURE WASHER MAINTENANCE

### Check and Clean Inlet Screen

Examine garden hose inlet screen. Clean if it is clogged or replace if it is torn.

### Check High Pressure Hose

High pressure hoses can develop leaks from wear, kinking, or abuse. Inspect hose before each use. Check for cuts, leaks, abrasions, bulging of cover, or damage or movement of couplings. If any of these conditions exist, replace hose immediately.

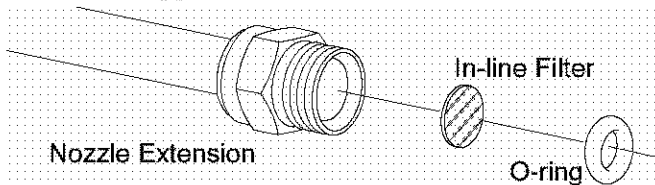
 <b>WARNING</b>	
	The high pressure stream of water that this equipment produces can pierce skin and its underlying tissues, leading to serious injury and possible amputation.
<ul style="list-style-type: none"><li>• NEVER repair high pressure hose. Replace it.</li><li>• Replacement hose rating MUST exceed maximum pressure rating of unit.</li></ul>	

### Check Gun and Nozzle Extension

Examine hose connection to spray gun and make sure it is secure. Test trigger by pressing it and making sure it springs back into place when you release it. Put safety latch in UP position and test trigger. You should not be able to press trigger. Replace spray gun immediately if it fails any of these tests.

### Check In-Line Filter

Refer to the illustration and service the in-line filter if it becomes clogged, as follows:



1. Detach spray gun from high pressure hose. Detach nozzle extension from spray gun and remove o-ring and screen from nozzle extension. Flush screen, spray gun, and nozzle extension with clean water to clear debris.

2. Place in-line filter screen into threaded end of nozzle extension. Direction does not matter. Push screen in with eraser end of pencil until it rests flat at bottom of opening. Take care to not bend screen.
3. Place o-ring into recess. Push o-ring snugly against in-line filter screen.
4. Assemble nozzle extension to spray gun, as described earlier in manual.

### Purge Pump of Air and Contaminants

To remove air from the pump, follow these steps:

1. Set up pressure washer as described in "Assembling Your Pressure Washer" section and connect water supply.
2. Pull trigger on gun and hold until a steady stream of water appears.

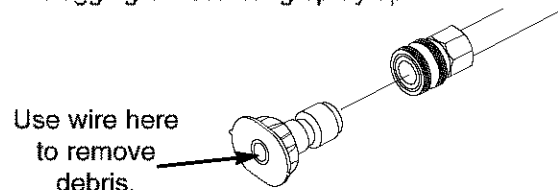
To remove contaminants from the pump, follow these steps:

1. Set up pressure washer as described in "Assembling Your Pressure Washer" section, and connect water supply.
2. Remove nozzle extension from gun.
3. Start engine according to instructions in "How To Use Your Pressure Washer" section.
4. Pull trigger on gun and hold.
5. When water supply is steady and constant, engage safety latch and refasten nozzle extension.

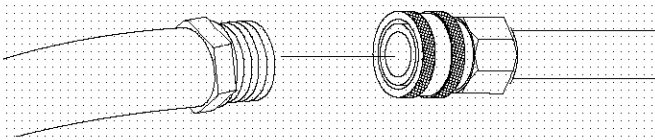
### Nozzle Maintenance

A pulsing sensation felt while squeezing the spray gun trigger may be caused by excessive pump pressure. The principal cause of excessive pump pressure is a spray tip clogged or restricted with foreign materials, such as dirt, etc. To correct the problem, immediately clean the spray tip following these instructions:

1. Shut off engine and turn off water supply.
2. Remove spray tip from end of nozzle extension.
3. Remove in-line filter from other end of nozzle extension.
4. Use a small paper clip to free any foreign material clogging or restricting spray tip.



- Using a garden hose, remove additional debris by back flushing water through nozzle extension. Back flush between 30 to 60 seconds.



- Reinstall spray tip and in-line filter into nozzle extension.
- Reconnect nozzle extension to spray gun.
- Reconnect water supply, turn on water, and start engine.
- Test pressure washer by operating with each Quick Connect spray tips.

### O-Ring Maintenance

Purchase an O-Ring Repair Kit, item number 71-75116, at your local Sears or by calling 1-800-366-PART or online at [www.sears.com](http://www.sears.com). It is not included with the pressure washer. This kit includes replacement o-rings, rubber washer and water inlet filter. Refer to the instruction sheet provided in the kit to service your unit's o-rings.

### PUMP MAINTENANCE

This model does not require any pump maintenance. The pump is pre-lubricated and sealed, requiring no additional lubrication for the life of the pump.

### ENGINE MAINTENANCE

#### Checking Oil Level

Oil level should be checked prior to each use or at least every 5 hours of operation. Keep oil level maintained.

#### Changing Oil

Change engine oil after the first 5 hours and every 50 hours thereafter. If you are using your pressure washer under extremely dirty or dusty conditions, or in extremely hot weather, change oil more often.



#### CAUTION

Avoid prolonged or repeated skin contact with used motor oil.

- Used motor oil has been shown to cause skin cancer in certain laboratory animals.
- Thoroughly wash exposed areas with soap and water.



KEEP OUT OF REACH OF CHILDREN.  
DON'T POLLUTE. CONSERVE  
RESOURCES. RETURN USED OIL TO  
COLLECTION CENTERS.

**Change oil while engine is still warm from running, as follows:**

- Drain fuel tank by running pressure washer until fuel tank is empty.
- Disconnect spark plug wire and keep it away from spark plug.
- Remove oil drain plug and drain oil into appropriate receptacle.
- Reinstall drain plug. Remove oil fill cap.
- Fill to point of overflowing at oil fill cap with recommended oil.
- Reinstall oil fill plug and tighten securely.
- Wipe up any remaining oil.
- Reconnect spark plug wire to spark plug.

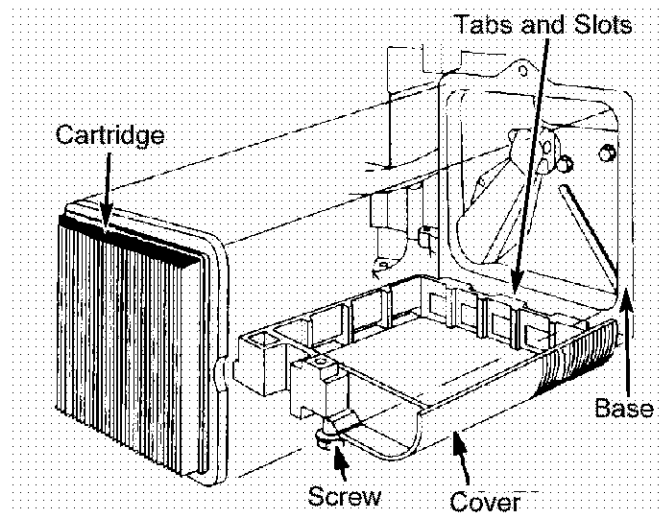
### Service Air Cleaner

Your engine will not run properly and may be damaged if you run it with a dirty air cleaner.

Service the air cleaner once every 100 hours of operation or once each year, whichever comes first. Service more often if operating under dirty or dusty conditions. Replacements are available at your local Sears service center.

**To service the air cleaner, follow these steps:**

- Loosen screw and tilt cover down.






- Carefully remove cartridge assembly.
- To clean cartridge, gently tap pleated paper side on a flat surface.
- Reinstall clean or new cartridge assembly inside cover.
- Insert cover's tabs into slots in bottom of base.
- Tilt cover up and tighten screw securely to base.

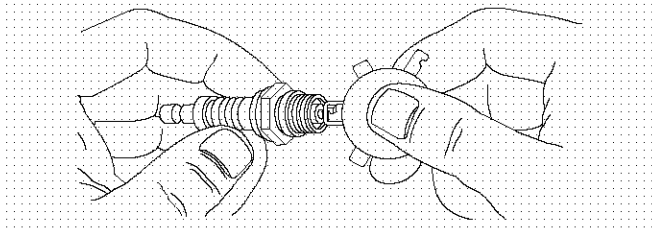
**NOTE:** You can purchase new air filter elements by calling 1-800-366-PART.

## Service Spark Plug

Service the spark plug every 100 hours of operation or yearly, whichever occurs first.

 <b>WARNING</b>	
	Unintentional sparking can result in fire or electric shock.
	
<b>WHEN ADJUSTING OR MAKING REPAIRS TO YOUR PRESSURE WASHER</b>	
<ul style="list-style-type: none"><li>• Disconnect spark plug wire from spark plug and place wire where it cannot contact spark plug.</li></ul>	

1. Clean area around spark plug.
2. Remove and inspect spark plug.
3. Replace spark plug if electrodes are worn, or if insulator is cracked or chipped.
4. For replacement use either the standard resistor spark plug, Champion RC12YC or the long life platinum spark plug, Champion RC12PYP.
5. Check electrode gap with wire feeler gauge and set gap at 0.020 inches (0.50mm), if necessary.



6. Install spark plug, tighten securely.

**NOTE:** You can purchase a new spark plug by calling 1-800-366-PART.

## Carburetor

If you think your carburetor needs adjusting, see your nearest Sears service center. Engine performance may be affected at altitudes above 7000 feet. For operation at higher elevations, contact your nearest Sears service center.

## Spark Arrester Service

Your engine is not factory-equipped with a spark arrester. In some areas, it is illegal to operate an engine without a spark arrester. Check local laws and regulations. A spark arrester is available from your nearest Sears service center. If you need to order a spark arrester, please call 1-800-366-PART.

The spark arrester must be serviced every 50 hours to keep it functioning as designed.

If the engine has been running, the muffler will be very hot. Allow the muffler to cool before servicing the spark arrester.

- Remove spark arrester screen for cleaning and inspection.
- Replace if screen is damaged.

# STORAGE

## AFTER EACH USE

Water should not remain in the unit for long periods of time. Sediments or minerals can deposit on pump parts and "freeze" pump action. Follow these procedures after every use:

1. Flush detergent siphoning tube by placing the filter into a pail of clean water while running pressure washer in low pressure mode. Flush for one to two minutes.
2. Shut off engine, let it cool, then remove all hoses.
3. Disconnect spark plug wire from spark plug.
4. Empty pump of all liquids by pulling recoil handle about 6 times. This should remove most liquid in pump.
5. If storing for more than 30 days see "Long Term Storage" on next page.
6. Coil high pressure hose and inspect it for damage. Cuts in hose or fraying could result in leaks and loss of pressure. Should any damage be found, replace hose. DO NOT attempt to repair a damaged hose. Replace hose with genuine Sears part.
7. Disconnect hose from spray gun and high pressure outlet on pump. Drain water from hose, gun, and nozzle extension. Use a rag to wipe off hose.
8. Slide one end of hose into hole on hose reel. Turn hose reel with handle to coil hose onto reel.
9. Reconnect spark plug wire to spark plug.
10. Store unit in a clean, dry area.



**WARNING!** NEVER store the engine with fuel in the gas tank indoors or in enclosed, poorly ventilated areas where fumes may reach an open flame, a spark, or pilot light.

## WINTER STORAGE

### CAUTION

You must protect your unit from freezing temperatures.

- Failure to do so will permanently damage your pump and render your unit inoperable.
- Freeze damage is not covered under warranty.

### To protect the unit from freezing temperatures:

1. Flush detergent siphoning tube by placing filter into a pail of clean water while running pressure washer in low pressure mode. Flush for one to two minutes.
2. Empty pump of all pumped liquids by pulling recoil handle about 6 times. This should remove most liquid in pump.
3. Use pump saver, available at Sears retail item 71-74403, to treat pump. This minimizes freeze damage and lubricates pistons and seals.
4. If pump saver is not available, connect a 3-foot section of garden hose to water inlet adapter. Pour RV-antifreeze (antifreeze without alcohol) into hose. Pull recoil handle twice. Disconnect 3-foot hose.



## LONG TERM STORAGE

If you do not plan to use the pressure washer for more than 30 days, you must prepare the engine and pump for long term storage.

It is important to prevent gum deposits from forming in essential fuel system parts such as the carburetor, fuel filter, fuel hose or tank during storage. Also, experience indicates that alcohol-blended fuels (called gasohol, ethanol or methanol) can attract moisture, which leads to separation and formation of acids during storage. Acidic gas can damage the fuel system of an engine while in storage.

### Protect Fuel System

#### Fuel Additive:

If adding a fuel additive, fill the fuel tank with fresh fuel. If only partially filled, air in the tank will promote fuel deterioration during storage. Engine and fuel can be stored up to 24 months with additive.

- Add fuel additive following manufacturer's instructions.
- Make sure you have water supply to pump inlet connected and turned ON.
- Run the engine outdoors for 10 minutes to be sure that treated fuel has replaced the untreated fuel in the carburetor.

If fuel additive is not used, remove all fuel from tank and run engine until it stops from lack of fuel.

### Change Oil

While engine is still warm, drain oil from crankcase. Refill with recommended grade. See "Changing Oil" on page 14.

### Oil Cylinder Bore

- Remove spark plug. Squirt about 1 tablespoon of clean engine oil into the cylinder. Cover spark plug hole with rag. Pull recoil handle slowly to distribute oil. Avoid spray from spark plug hole.
- Install spark plug. **DO NOT** connect spark plug wire.

### Protect Pump

To protect the pump use Sears pump saver to prevent freeze damage and lubricate pistons and seals.

**NOTE:** Sears pump saver, item number 71-74403, is available as an optional accessory. It is not included with the pressure washer.

#### CAUTION

You must protect your unit from freezing temperatures.

- Failure to do so will permanently damage your pump and render your unit inoperable.
- Freeze damage is not covered under warranty.

#### To use the pump saver:

#### CAUTION

Read and follow all cautions and warnings on the PumpSaver can label.

- Always wear eye protection when using PumpSaver.

1. Attach hose on pump saver can to pump inlet.
2. Push in can top to dispense pump saver.
3. When pump saver fluid begins to exit pump outlet, the pump is protected.
4. Remove pump saver from pump inlet.

### OTHER

- **DO NOT** store fuel from one season to another.
- If possible, store your unit indoors and cover it to give protection from dust and dirt. **BE SURE TO EMPTY THE FUEL TANK.**

**IMPORTANT:** NEVER cover your pressure washer while engine and exhaust area are warm.

# NOTES

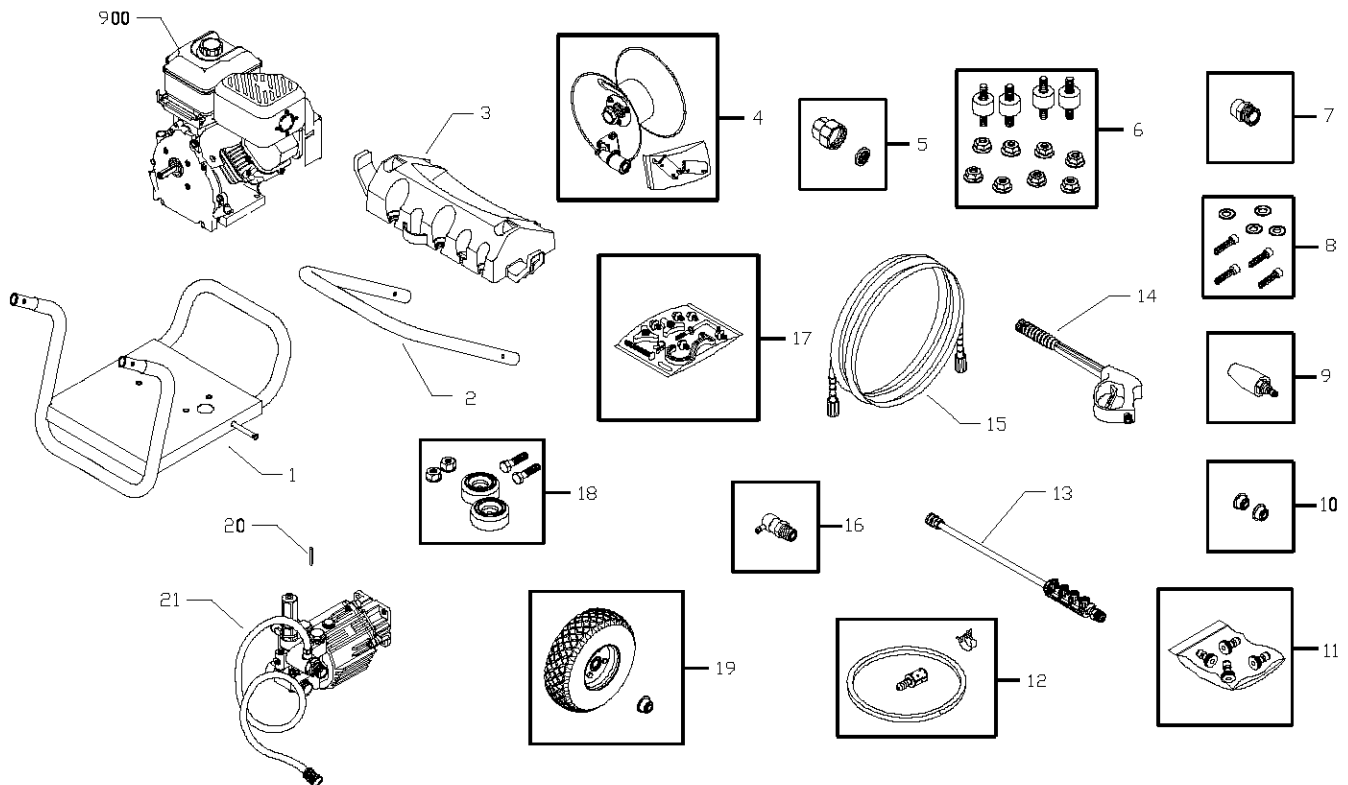
# TROUBLESHOOTING

Problem	Cause	Correction
<b>Pump has following problems: failure to produce pressure, erratic pressure, chattering, loss of pressure, low water volume.</b>	<ol style="list-style-type: none"> <li>1. Low pressure spray tip installed.</li> <li>2. Water inlet is blocked.</li> <li>3. Inadequate water supply.</li> <li>4. Inlet hose is kinked or leaking.</li> <li>5. Clogged inlet hose strainer.</li> <li>6. Water supply is over 100°F.</li> <li>7. High pressure hose is blocked or leaks.</li> <li>8. Gun leaks.</li> <li>9. Spray tip is obstructed.</li> <li>10. Pump is faulty.</li> </ol>	<ol style="list-style-type: none"> <li>1. Replace spray tip with high pressure spray tip.</li> <li>2. Clear inlet.</li> <li>3. Provide adequate water flow.</li> <li>4. Straighten inlet hose, patch leak.</li> <li>5. Check and clean inlet hose strainer.</li> <li>6. Provide cooler water supply.</li> <li>7. Clear blocks in outlet hose.</li> <li>8. Replace gun.</li> <li>9. Clean spray tip.</li> <li>10. Contact Sears service facility.</li> </ol>
<b>Detergent fails to mix with spray.</b>	<ol style="list-style-type: none"> <li>1. Detergent siphoning tube is not submerged.</li> <li>2. Chemical filter is clogged or cracked.</li> <li>3. Dirty in-line filter.</li> <li>4. High pressure spray tip installed.</li> </ol>	<ol style="list-style-type: none"> <li>1. Insert detergent siphoning tube into detergent.</li> <li>2. Clean or replace filter/detergent siphoning tube.</li> <li>3. See "Check In-Line Filter".</li> <li>4. Replace spray tip with low pressure spray tip.</li> </ol>
<b>Engine runs good at no-load but "bogs" when load is added.</b>	Engine speed is too slow.	Move throttle control to FAST position. If engine still "bogs down", contact Sears service facility.
<b>Engine will not start; or starts and runs rough.</b>	<ol style="list-style-type: none"> <li>1. Low oil level.</li> <li>2. Dirty air cleaner.</li> <li>3. Out of gasoline.</li> <li>4. Stale gasoline.</li> <li>5. Spark plug wire not connected to spark plug.</li> <li>6. Bad spark plug.</li> <li>7. Water in gasoline.</li> <li>8. Overchoking.</li> <li>9. Excessively rich fuel mixture.</li> <li>10. Intake valve stuck open or closed.</li> <li>11. Engine has lost compression.</li> </ol>	<ol style="list-style-type: none"> <li>1. Fill crankcase to proper level.</li> <li>2. Clean or replace air cleaner.</li> <li>3. Fill fuel tank.</li> <li>4. Drain gas tank; fill with fresh fuel.</li> <li>5. Connect wire to spark plug.</li> <li>6. Replace spark plug.</li> <li>7. Drain gas tank; fill with fresh fuel.</li> <li>8. Open choke fully and crank engine.</li> <li>9. Contact Sears service facility.</li> <li>10. Contact Sears service facility.</li> <li>11. Contact Sears service facility.</li> </ol>
<b>Engine shuts down during operation.</b>	Out of gasoline.	Fill fuel tank.
<b>Engine lacks power.</b>	Dirty air filter.	Replace air filter.
<b>Engine "hunts" or falters.</b>	Choke is opened too soon.	Move choke to halfway position until engine runs smoothly.

# PARTS

## CRAFTSMAN 3000 PSI Pressure Washer 580.753000

### Main Unit — Exploded View and Parts List



Item	Part #	Description	Item	Part #	Description
1	M190156GS	BASE	12	192796GS	KIT, Chem Hose & Filter
2	M187602GS	HANDLE	13	192199GS	ASSY, Extension
3	187606GS	BILLBOARD	14	B1862BGS	GUN
4	192648GS	ASSY, Complete Hose Reel Kit	15	B5167GS	HOSE
5	194004GS	KIT, Inlet, Hose, Grdn, Srv	16	194298GS	THERMAL RELIEF
6	192134GS	KIT, Engine Mounting Hardware	17	190668GS	KIT, Handle Fasteners
7	95457GS	ADAPTER, Hose	18	192553GS	KIT, Vibration Mount
8	192131GS	KIT, Pump Mounting Hardware	19	192526GS	KIT, Wheel
9	194236CGS	NOZZLE, Turbo	20	23139DGS	KEY
10	194062GS	PUSHNUT	21	194003GS	ASSY, Pump (see page 21)
11	B5646GS	KIT, Spray Tips	900	NSP	ENGINE

#### Items Not Illustrated

Part #	Description
194190GS	MANUAL, Owner's
194420GS	KIT, Decals
AB3061BGS	OIL, Bottle

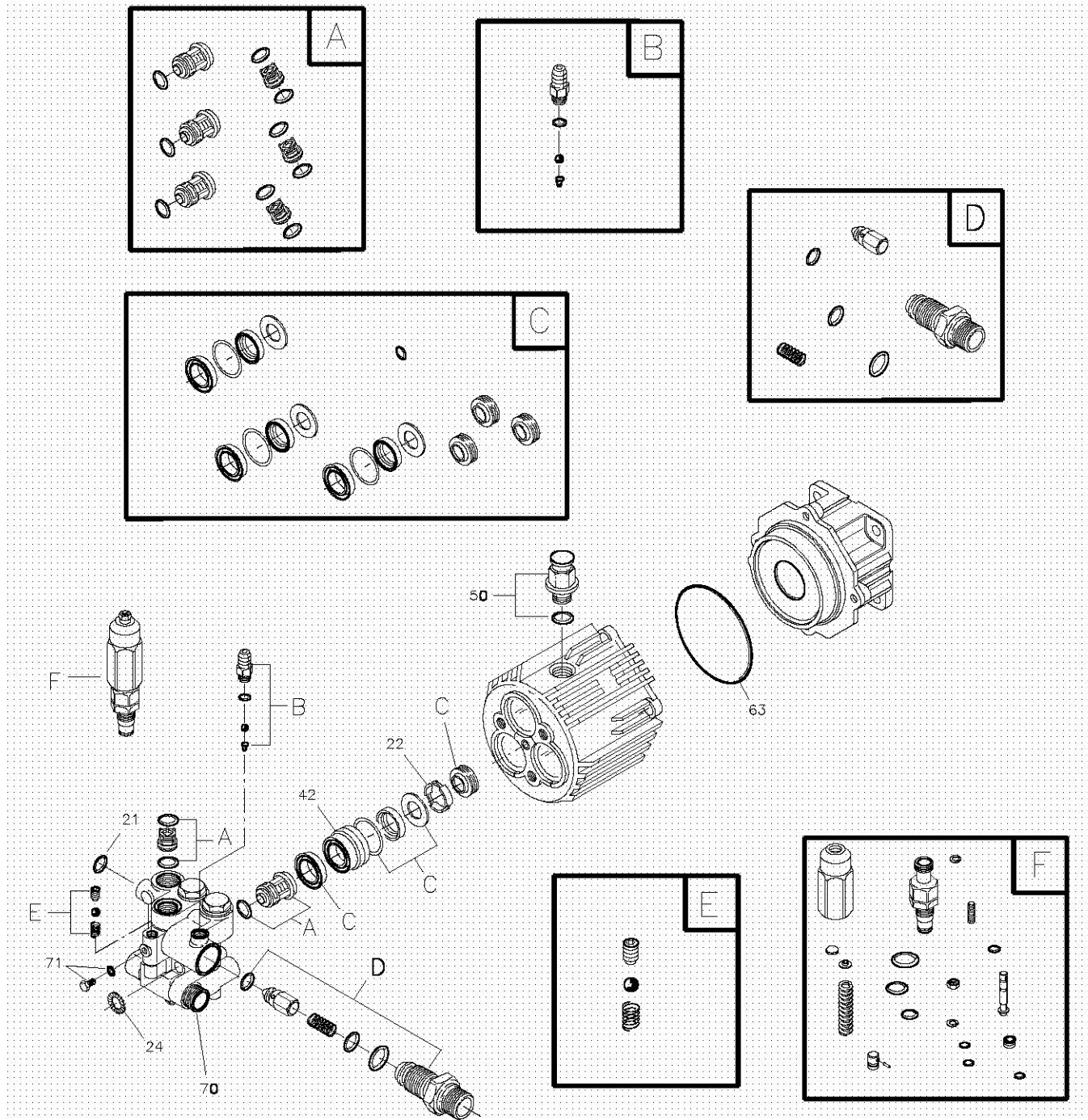
#### Optional Accessories Not Illustrated

7175187GS	Garden Hose Quick Connect
7175197GS	Accessory Quick Connect
7175199GS	Rotating Brush Kit
7175115GS	25' Replacement Hose
7175116GS	O Ring Repair Kit
7174400GS	Turbo Nozzle
7174401GS	25' Extension Hose

#### Optional Accessories Not Illustrated

7174402GS	Hose Reel
7174403GS	Pump Saver
7174300GS	House Wash Concentrate (makes 4 gallons)
7174301GS	Deck Wash Concentrate (makes 2 gallons)
7174302GS	Vehicle/Boat Wash Concentrate (makes 4 gallons)
7174303GS	Degreaser Concentrate (makes 4 gallons)
7174307GS	Mold/Mildew Concentrate (makes 2 gallons)

**CRAFTSMAN 3000 PSI Pressure Washer 580.753000  
Pump — Exploded View and Parts List**

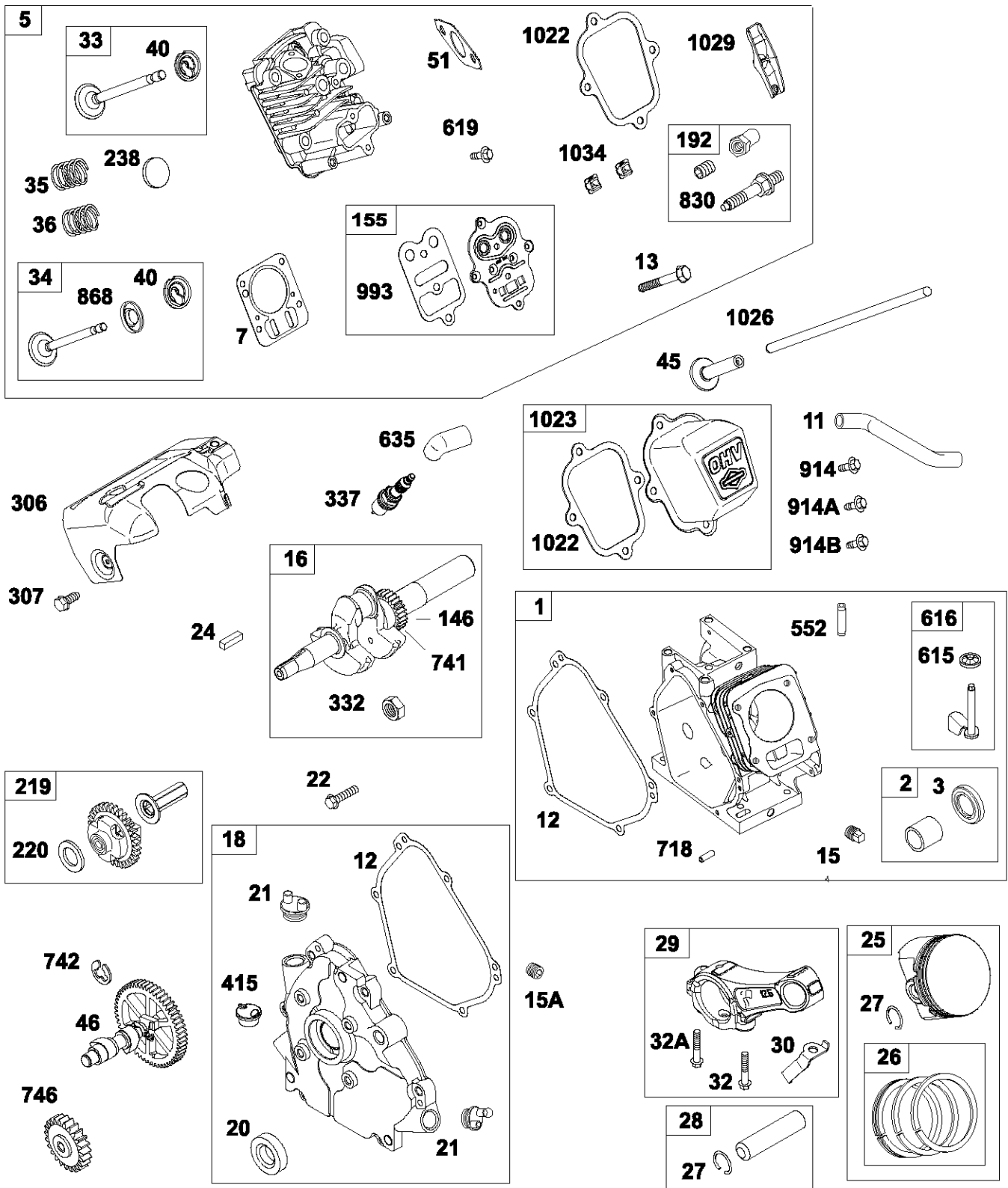


Item	Part #	Description
21	194434GS	O-RING
22	190639GS	SPACER
24	190640GS	WASHER
42	190646GS	PISTON, Guide
50	191441GS	VENT CAP, with O-Ring
63	194435GS	O-RING
70	190654GS	PUMP HEAD
71	190655GS	GRUB SCREW & WASHER
72	190656GS	OIL BOTTLE

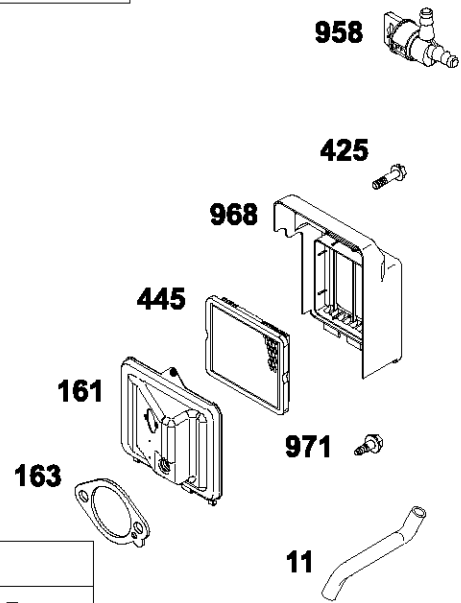
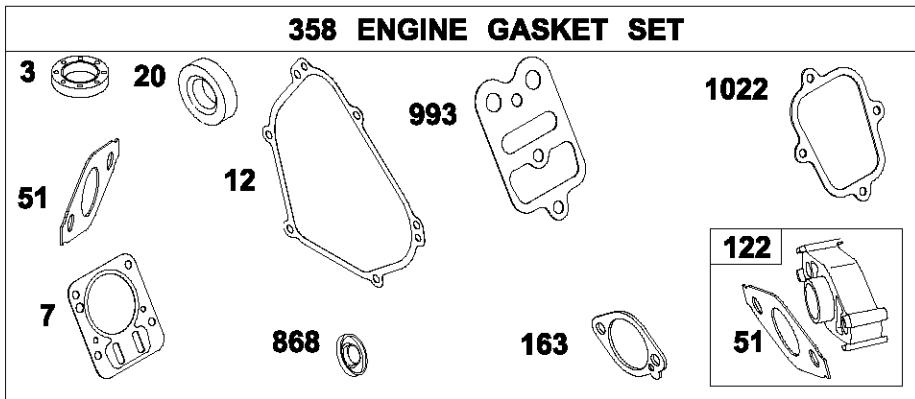
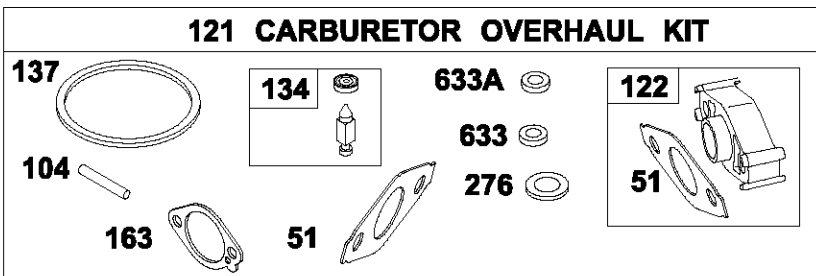
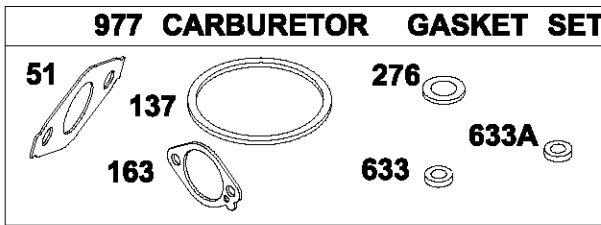
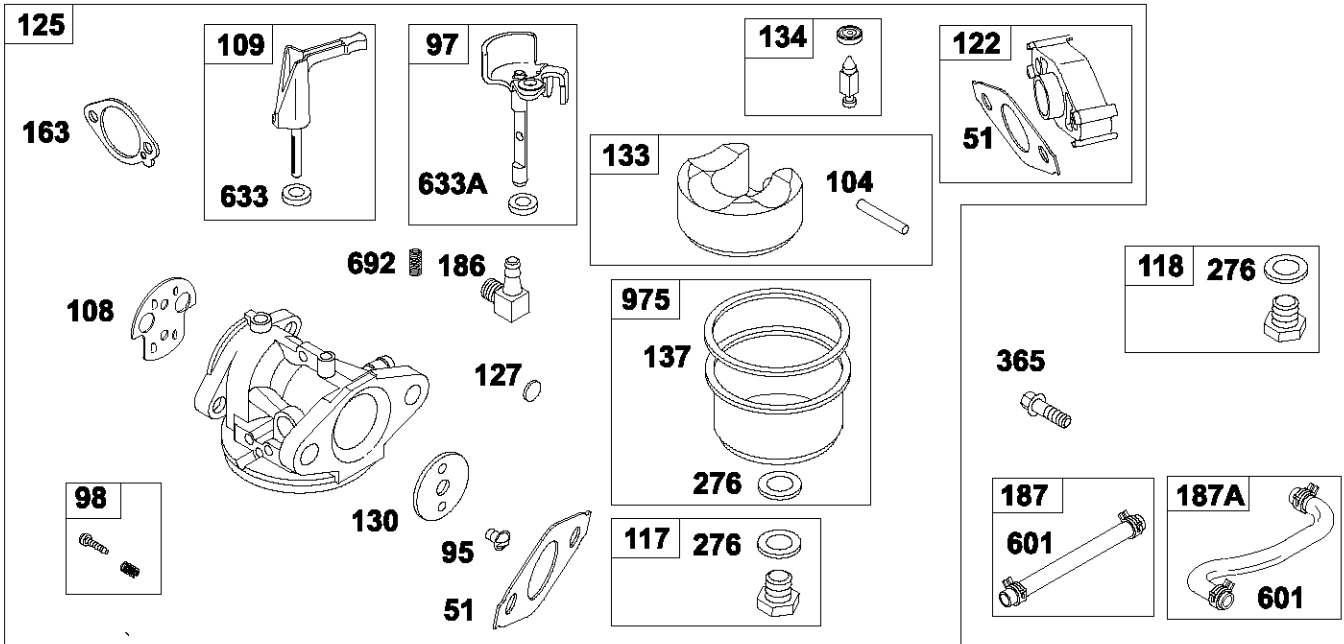
Item	Part #	Description
A	190657GS	KIT, CHECK VALVE
B	192914GS	KIT, CHEMICAL INJECT
C	194425GS	KIT, SEAL OIL
D	194426GS	KIT, INJECTOR
E	194427GS	KIT, BALL & SPRING
F	193126GS	KIT, UNLOADER

**NOTE:** Item letters A - F are service kits and include all parts shown within the box.

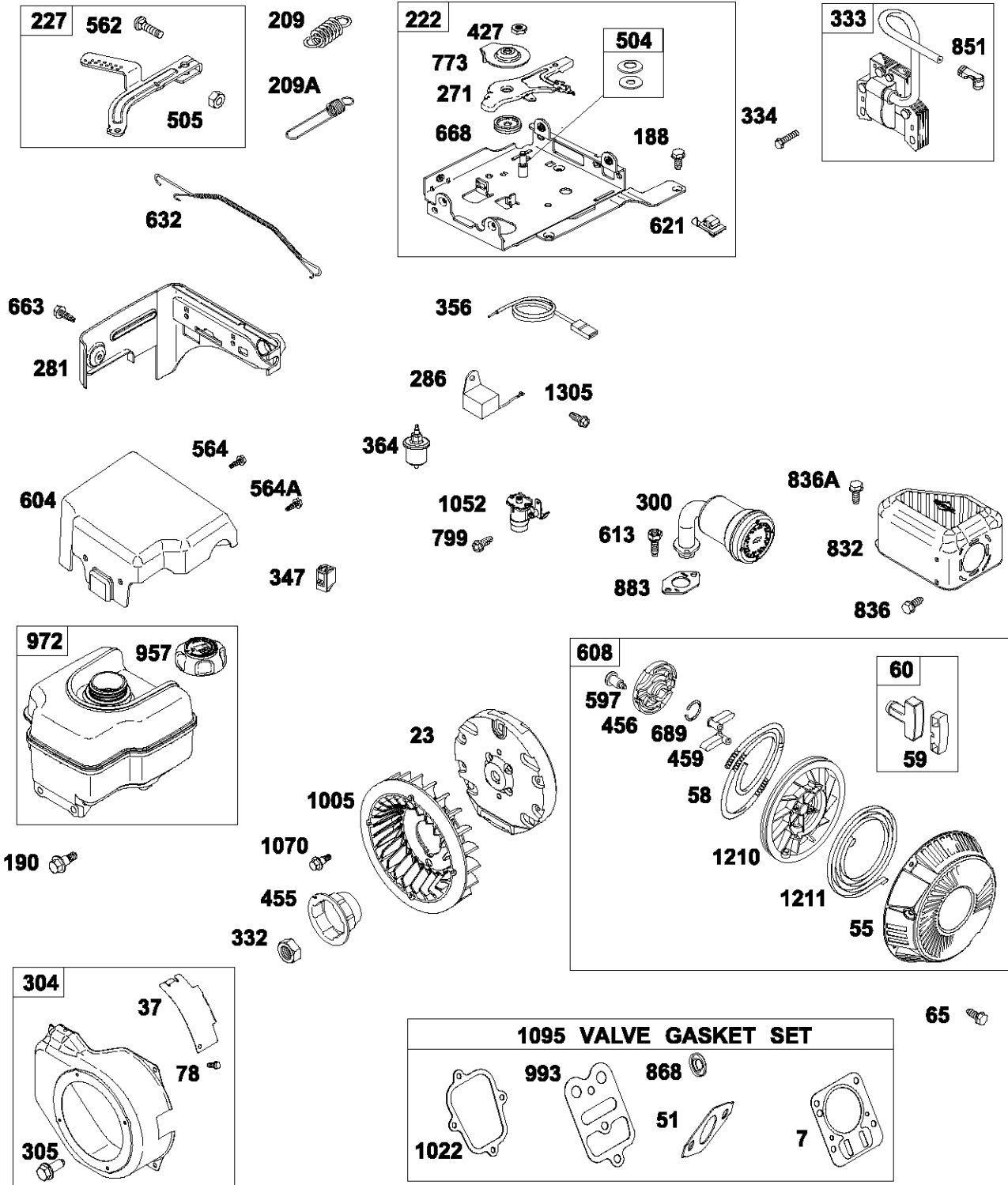
# ENGINE, 7.25 HP, Briggs and Stratton, 120312 – Exploded View



**ENGINE, 7.25 HP, Briggs and Stratton, 120312 – Exploded View**



# ENGINE, 7.25 HP, Briggs and Stratton, 120312 – Exploded View





## ENGINE, 7.25 HP, Briggs and Stratton, 120312 – Parts List

Item	Part #	Description	Item	Part #	Description
1	699510	Cylinder Assembly	300	693593	Muffler
2	399269	Kit-Bushing/Seal (Magneto Side)	304	699598	Housing-Blower
3	299819	Seal-Oil (Magneto Side)	305	699480	Screw (Blower Housing)
5	699486	Head-Cylinder	306	693610	Shield-Cylinder
7	698210	Gasket-Cylinder Head	307	699483	Screw (Cylinder Shield)
11	692600	Tube-Breather	332	699359	Nut (Flywheel)
12	699485	Gasket-Crankcase	333	695711	Armature-Magneto
13	699482	Screw (Cylinder Head)	334	699477	Screw (Magneto Armature)
15	691686	Plug-Oil Drain	337	491055	Plug-Spark
15A	691682	Plug-Oil Drain	347	697854	Switch-Rocker
16	699445	Crankshaft	356	692390	Wire-Stop
18	699596	Cover-Crankcase	358	699638	Gasket Set-Engine
20	692550	Seal-Oil (PTO Side)	364	695893	Terminal-Oil Plug
21	281658	Cap-Oil Fill	365	699484	Screw (Carburetor)
22	699488	Screw (Crankcase Cover)	415	693463	Plug
23	692987	Flywheel	425	699208	Screw (Air Cleaner Cover)
24	222698	Key-Flywheel	427	694255	Nut (Control Bracket)
25	690021	Piston Assembly (Standard)	445	491588	Filter-A/C Cartridge
	694168	Piston Assembly (.020" Oversize)	455	692591	Cup-Flywheel
26	499631	Ring Set (Standard)	456	692299	Plate-Pawl Friction
	692786	Ring Set (.020" Oversize)	459	281505	Pawl-Ratchet
27	691866	Lock-Piston Pin	504	694254	Washer Set-Friction
28	499423	Pin-Piston	505	691251	Nut (Governor Control Lever)
29	690124	Rod-Connecting	552	692346	Bushing-Governor Crank
30	692562	Dipper-Connecting Rod	562	691112	Bolt (Governor Control Lever)
32	691664	Screw (Connecting Rod)	564	699491	Screw (Control Cover)
32A	695759	Screw (Connecting Rod)	564A	699492	Screw (Control Cover)
33	499642	Valve-Exhaust	597	691696	Screw (Pawl Friction Plate)
34	499641	Valve-Intake	601	95162	Clamp-Hose
35	691304	Spring-Valve (Intake)	604	697326	Cover-Control
36	691304	Spring-Valve (Exhaust)	608	699394	Starter-Rewind
37	699661	Guard-Flywheel	613	699209	Screw (Muffler)
40	692194	Retainer-Valve	615	692576	Retainer-Governor Shaft
45	690977	Tappet-Valve	616	692547	Crank-Governor
46	693404	Camshaft	619	699230	Screw (Cylinder Head Plate)
51	692555	Gasket-Intake (2 Required)	621	692310	Switch-Stop
55	691422	Housing-Rewind Starter	632	693408	Spring/Link-Mechanical Governor
58	693389	Rope-Starter	633	693867	Seal-Choke/Throttle Shaft
59	805957	Grip-Insert	633A	691321	Seal-Choke/Throttle Shaft
60	691915	Grip-Starter Rope	635	692076	Boot-Spark Plug
65	699228	Screw (Rewind Starter)	663	699206	Screw (Control Panel)
78	699205	Screw (Flywheel Guard)	668	694257	Spacer (Control Bracket)
95	691636	Screw (Throttle Valve)	689	691855	Spring-Friction
97	690024	Shaft-Throttle	692	690572	Spring-Detent
98	398185	Kit-Idle Speed	718	690959	Pin-Locating
104	691242	Pin-Float Hinge	741	692565	Gear-Timing
108	692567	Valve-Choke	742	692564	Ring-Retaining
109	690023	Shaft-Choke	746	692566	Gear-Idler
117	690048	Jet-Main (Standard)	773	694258	Retainer
118	498976	Jet-Main (High Altitude)	799	699202	Screw (Oil Sensor Module)
121	696998	Kit-Carburetor Overhaul	830	694544	Stud-Rocker Arm
122	693749	Spacer-Carburetor	832	693583	Guard-Muffler
125	698474	Carburetor	836	699632	Screw (Muffler Guard)
127	691739	Plug-Weich	836A	699203	Screw (Muffler Guard)
130	691181	Valve-Throttle	851	493880	Terminal-Spark Plug
133	398187	Float-Carburetor	868	692044	Seal-Valve
134	398188	Valve-Float Needle	883	691893	Gasket-Exhaust
137	693981	Gasket-Float Bowl	914	699481	Screw (Rocker Cover) (Bottom)
146	690979	Key-Timing	914A	692557	Screw (Rocker Cover) (Top)
155	698214	Plate-Cylinder Head	914B	691686	Screw (Rocker Cover) (Sides)
161	699207	Base-Air Cleaner	957	694261	Cap-Fuel Tank
163	696024	Gasket-Air Cleaner	958	698180	Valve-Fuel Shut-Off
186	692317	Connector-Hose	968	692584	Cover-Air Cleaner
187	691050	Line-Fuel (Cut to Required Length)	971	690370	Screw (Air Cleaner Base)
187A	692601	Line-Fuel (Formed)	972	694260	Tank-Fuel
188	690877	Screw (Control Bracket)	975	493640	Bowl-Float
190	699220	Screw (Fuel Tank)	977	696997	Gasket Set-Carburetor
192	694543	Ball-Rocker Arm	993	694088	Gasket-Cylinder Head Plate
209	691278	Spring-Governor (Idle Speed Adjusting)(Platinum)	1005	692592	Fan-Flywheel
209A	692571	Spring-Governor (Assemble in # 5 Position)	1022	691890	Gasket-Rocker Cover
219	693578	Gear-Governor	1023	499924	Cover-Rocker
220	691724	Washer (Governor Gear)	1026	693517	Rod-Push
222	699591	Bracket-Control	1029	691230	Arm-Rocker
227	692573	Lever-Governor Control	1034	691343	Guide-Push Rod
238	691300	Cap-Valve	1052	698674	Sensor-Oil Module
271	695743	Lever-Control	1095	698215	Gasket Set-Valve
276	271716	Washer-Sealing	1070	699202	Screw (Flywheel Fan)
281	699639	Panel-Control	1210	498144	Pulley/Spring Assembly (Pulley)
286	698611	Module-Oil Sensor	1211	498144	Pulley/Spring Assembly (Spring)
			1305	691140	Screw (Oil Sensor)

# EMISSION CONTROL WARRANTY STATEMENT

Sears, Roebuck and Co., U.S.A. (Sears), the California Air Resources Board (CARB) and the United States Environmental Protection Agency (U.S.EPA)

## Emission Control System Warranty Statement (Owner's Defect Warranty Rights and Obligations)

EMISSION CONTROL WARRANTY COVERAGE IS APPLICABLE TO CERTIFIED ENGINES PURCHASED IN CALIFORNIA IN 1995 AND THEREAFTER WHICH ARE USED IN CALIFORNIA, AND TO CERTIFIED MODEL YEAR 1997 AND LATER ENGINES WHICH ARE PURCHASED AND USED ELSEWHERE IN THE UNITED STATES (AND AFTER JANUARY 1, 2001 IN CANADA).

### California and U.S. EPA Emission Control Warranty Statement Your Warranty Rights and Obligations

The California Air Resources Board (CARB), U.S.EPA and Sears are pleased to explain the Emission Control System Warranty on your model year 2000 and later small off-road engine (SORE). In California, new small off-road engines must be designed, built and equipped to meet the State's stringent anti-smog standards. Elsewhere in the United States, new non-road, spark-ignition engines certified for model year 1997 and later, must meet similar standards set forth by the U.S.EPA. Sears must warrant the emission control system on your engine for the periods of time listed below, provided there has been no abuse, neglect, or improper maintenance of your small off-road engine.

Your emission control system may include parts such as the carburetor or fuel-injection system, the ignition system, and catalytic converter. Also included may be hoses, belts, connectors and other emission related assemblies.

Where a warrantable condition exists, Sears will repair your small off-road engine at no cost to you including diagnosis, parts and labor.

### Sears Emission Control Defects Warranty Coverage

The 1995 and later small off-road engines are warranted for two years. If any emission-related part on your engine is defective, the part will be repaired or replaced by Sears.

### Owner's Warranty Responsibilities

As the small off-road engine owner, you are responsible for the performance of the required maintenance listed in this owner's manual. Sears recommends that you retain all your receipts covering maintenance on your small off-road engine, but Sears cannot deny warranty solely for the lack of receipts or for your failure to ensure the performance of all scheduled maintenance.

As the small off-road engine owner, you should however be aware that Sears may deny you warranty coverage if your small off-road engine or a part has failed due to abuse, neglect, improper maintenance or unapproved modifications.

You are responsible for presenting your small off-road engine to an approved Sears Service Center as soon as a problem exists. The warranty repairs should be completed in a reasonable amount of time, not to exceed 30 days.

If you have any questions regarding your warranty rights and responsibilities, you should contact a Sears Service Representative at 1-800-469-4663.

### Sears Emission Control Defects Warranty Provisions

The following are specific provisions relative to your Emission Control Defects Warranty Coverage.

#### 1. Warranted Parts

Coverage under this warranty extends only to the parts listed below (the emission control systems parts) to the extent these parts were present on the engine purchased.

- a. Fuel Metering System
  - Cold start enrichment system
  - Carburetor and internal parts
  - Fuel Pump
- b. Air Induction System
  - Air cleaner
  - Intake manifold
- c. Ignition System
  - Spark plug(s)
  - Magneto ignition system
- d. Catalyst System
  - Catalytic converter
  - Exhaust manifold
  - Air injection system or pulse valve
- e. Miscellaneous Items Used in Above Systems
  - Vacuum, temperature, position, time sensitive valves and switches
  - Connectors and assemblies

#### 2. Length of Coverage

Sears warrants to the initial owner and each subsequent owner that the Warranted Parts shall be free from defects in materials and workmanship which caused the failure of the Warranted Parts for a period of two years from the date the engine is delivered to a retail purchaser.

#### 3. No Charge

Repair or replacement of any Warranted Part will be performed at no charge to the owner, including diagnostic labor which leads to the determination that a Warranted Part is defective, if the diagnostic work is performed at an approved Sears Service Center.

#### 4. Claims and Coverage Exclusions

Warranty claims shall be filed in accordance with the provisions of the Sears Warranty Policy. Warranty coverage shall be excluded for failures of Warranted Parts which are not original Sears parts or because of abuse, neglect or improper maintenance as set forth in the Sears Engine Warranty Policy. Sears is not liable to cover failures of Warranted Parts caused by the use of add-on, non-original, or modified parts.

#### 5. Maintenance

Any Warranted Part which is not scheduled for replacement as required maintenance or which is scheduled only for regular inspection to the effect of "repair or replace as necessary" shall be warranted as to defects for the warranty period. Any Warranted Part which is scheduled for replacement as required maintenance shall be warranted as to defects only for the period of time up to the first scheduled replacement for that part. Any replacement part that is equivalent in performance and durability may be used in the performance of any maintenance or repairs. The owner is responsible for the performance of all required maintenance, as defined in this owner's manual.

#### 6. Consequential Coverage

Coverage hereunder shall extend to the failure of any engine components caused by the failure of any Warranty Part still under warranty.

In the USA and Canada, a 24-hour hotline, 1-800-469-4663, has a menu of pre-recorded messages offering you product maintenance information.

# NOTES

# TABLA DE CONTENIDOS

GARANTIA .....	.28	MANTENIMIENTO .....	.39-42
INSTRUCCIONES DE SEGURIDAD .....	.28-30	ALMACENAMIENTO .....	.43-44
CONOZCA SU MAQUINA LAVADORA		REPARACION DE DAÑOS REPUESTOS .....	.45
DE PRESION .....	.31	GARANTIA DEL CONTROL DE EMISIONES .....	.46
MONTAJE .....	.32-34	NOTAS .....	.47
OPERACION .....	.35-38	COMO ORDENAR PARTES .	PAGINA POSTERIOR
ESPECIFICACIONES .....	.39		

## GARANTÍA

### GARANTIA LIMITADA DE LA MAQUINA LAVADORA DE PRESION CRAFTSMAN

Durante un año a partir de la fecha de compra, Sears reparará, sin cargo alguno, cualquier defecto en material y mano de obra, siempre y cuando esta máquina lavadora de presión Craftsman haya sido mantenida y puesta en funcionamiento de acuerdo a las instrucciones suministradas en el manual del propietario.

Si esta máquina lavadora es usada para fines comerciales, la garantía se aplicará tan solo por 90 días a partir de la fecha de compra. Si esta máquina lavadora de presión es usada para alquiler, la garantía se aplicará tan solo por 30 días después de la fecha de compra.

Esta garantía no cubre:

- Elementos perecederos como bujías o filtros de aire, los cuales se desgastan con el uso normal.
- Reparaciones necesarias debido al abuso o negligencia del operador, incluyendo daños ocasionados por la ausencia de suministro de agua a la bomba o por no mantener el equipo de acuerdo a las instrucciones contenidas en el manual del propietario.

El servicio de garantía se hace efectivo devolviendo la máquina lavadora de presión al centro de servicio o distribuidor Sears mas cercano en los Estados Unidos.

Esta garantía le proporciona derechos legales específicos; usted también puede tener otros derechos, los cuales varían de estado a estado.

Sears, Roebuck and Co., Dept. 817 WA, Hoffman Estates, IL 60179

## INSTRUCCIONES DE SEGURIDAD



Este es el símbolo de alerta de seguridad. Es usado para indicarle situaciones con peligros potenciales de lesión para el personal. Siga las instrucciones de todos los mensajes de seguridad que aparecen después de este símbolo para evitar posibles lesiones o muerte.



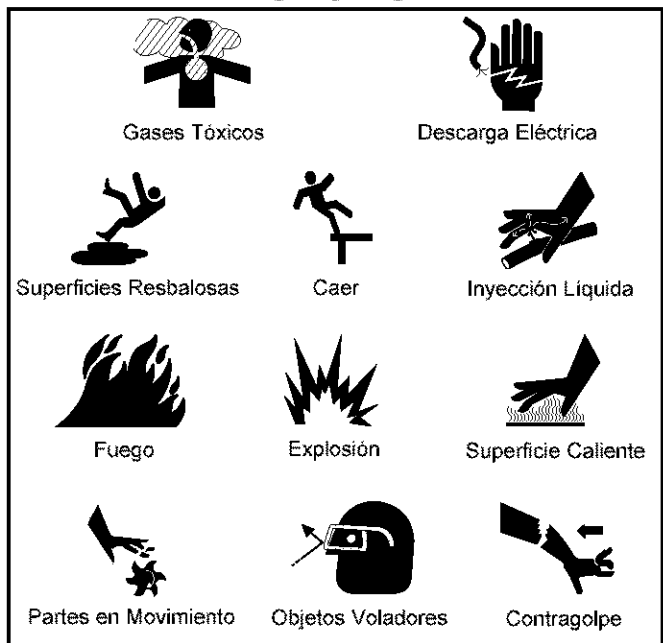
Lea este manual minuciosamente y conozca a fondo las partes y el funcionamiento de su máquina lavadora a presión. Conozca sus aplicaciones, sus limitaciones y los peligros involucrados.

El símbolo de alerta de seguridad (▲) es usado con una palabra (PELIGRO, ADVERTENCIA, PRECAUCIÓN), un mensaje por escrito o una ilustración, para alertarlo acerca de cualquier situación de peligro que pueda existir.

**PELIGRO** indica un riesgo el cual, si no se evita, *causará* la muerte o una herida grave. **ADVERTENCIA** indica un riesgo el cual, si no se evita, *puede* causar la muerte o una herida grave. **PRECAUCIÓN** indica un riesgo, el cual, si no se evita, *puede* causar heridas menores o moderadas.

**PRECAUCIÓN**, cuando se usa *sin* el símbolo de alerta, indica una situación que podría resultar en el daño del equipo. Siga los mensajes de seguridad para evitar o reducir los riesgos de heridas e inclusive la muerte.

### Símbolos de Peligro y Significados



En el estado de California es obligatorio, según la ley, el uso de apagachispas (Sección 4442 del Código de Recursos Públicos de California). Otros estados pueden tener leyes similares. Las leyes federales se aplican en tierras federales. Si equipa el silenciador con un apagachispas, este deberá ser mantenido en buenas condiciones de trabajo. Usted puede ordenar el apagachispas a través de su distribuidor de servicio autorizado Sears.



## ADVERTENCIA

El escape del motor de este producto contiene elementos químicos reconocidos en el Estado de California por producir cáncer, defectos de nacimiento u otros daños de tipo reproductivo.



## PELIGRO



Al motor funcionar, se produce monóxido de carbono, un gas inodoro y venenoso.

El respirar el monóxido de carbono, producirá náusea, desmayo o la muerte.

- Opere el lavadora de presión SOLAMENTE al aire libre.
- Utilice un respirador o máscara siempre que exista la posibilidad de inhalar vapores.
- Lea todas las instrucciones de la máscara para asegurarse de que le brindará la protección necesaria contra la inhalación de vapores nocivos.



## ADVERTENCIA



El contacto del rocío con alambrado eléctrico puede tener como resultado electrocución.

- Mantenga el chorro del agua alejado de alambrados eléctricos, de lo contrario podrían ocurrir descargas eléctricas fatales.



## ADVERTENCIA



El uso de lavadora de presión puede crear los charcos y superficies resbalosas.



El rociado de la alta presión podría hacerlo caer si está muy cerca de la superficie de limpieza.

- Mantenga la boquilla de rociado de 8 a 24 pulgadas de la superficie de limpieza.
- Sea extremadamente cuidadoso si usa la máquina lavadora a presión desde una escalera, andamio o cualquier superficie relativamente inestable.
- El área de limpieza deberá tener inclinaciones y drenajes adecuados para disminuir la posibilidad de caídas debido a superficies resbalosas.
- Opere y almacene esta unidad sobre una superficie estable.
- Sujete la pistola de la hidrolavadora firmemente con ambas manos cuando utilice el rociado a alta presión. De esta manera evitará lesiones producidas por el posible golpe de la pistola hacia atrás.



## ADVERTENCIA



La gasolina y sus vapores son extremadamente inflamables y explosivos.



El fuego o una explosión pueden causar quemaduras severas e inclusive la muerte.

### CUANDO AÑADA COMBUSTIBLE

- Apague el generador (posición OFF) y déjelo enfriar al menos por 2 minutos antes de remover la tapa de la gasolina.
- Llene el tanque al aire libre.
- NO llene demasiado el tanque. Permita al menos espacio para la expansión del combustible.
- Mantenga la gasolina alejada de chispas, llamas abiertas, pilotos, calor y otras fuentes de ignición.
- NO encienda un cigarrillo o fume.

### CUANDO OPERE EL EQUIPO

- NO incline el motor o el equipo, de tal manera que la gasolina se pueda derramar.
- NO rocíe líquidos inflamables.

### CUANDO TRANSPORTE O REPARE EL EQUIPO

- Transporte o repare el equipo con el tanque de combustible vacío, o con la válvula para apagar el combustible, apagada (posición OFF).

### CUANDO ALMACENE O GUARDE EL EQUIPO CON COMBUSTIBLE EN EL TANQUE

- Almacene alejado de calderas, estufas, calentadores de agua, secadoras de ropa u otros aparatos electrodomésticos que posean pilotos u otras fuentes de ignición, porque ellos pueden encender los vapores de la gasolina.



## ADVERTENCIA



La corriente de agua de alta presión que produce este equipo pueden perforar la piel y sus tejidos profundos, ocasionando lesiones serias y posible amputación.

- NUNCA apunte la pistola a la gente, animales o plantas.
- NO permita en ningún momento que NIÑOS operen la máquina lavadora a presión.
- NUNCA repare la manguera de alta presión. Reemplacela.
- Mantenga conectada la manguera a la máquina o a la pistola de rociado cuando el sistema esté presurizado.



## ADVERTENCIA



Los motores en funcionamiento producen calor y gases de escape a altas temperaturas. La temperatura del silenciador y de las zonas cercanas puede alcanzar o superar los 65°C (150°F)



Se pueden producir incendios o quemaduras graves.

- NO toque las superficies calientes.
- Manténgase alejado de los gases de escape.
- NUNCA mueva el equipo mientras esté en funcionamiento.
- Permita que el equipo se enfrie antes de tocarlo.



## ADVERTENCIA



El arrancador y otras piezas que rotan pueden enredar las manos, el pelo, la ropa, o los accesorios.

- NO use ropa suelta, joyas o elementos que puedan quedar atrapados en el arranque o en otras partes rotatorias.
- Ate para arriba el pelo largo y quite la joyería.



## ADVERTENCIA



Chispear involuntario puede tener como resultado el fuego o el golpe eléctrico.



### CUANDO AJUSTE O HAGA REPARACIONES A SU MÁQUINA LAVADORA DE PRESIÓN

- Siempre desconecte el alambre de la bujía y colóquelo donde no pueda entrar en contacto con la bujía.



## ADVERTENCIA



El rociado de alta presión puede hacer que partículas pequeñas de pintura u otras partículas salgan disparadas y viajen a altas velocidades.

- Siempre use protección para los ojos cuando utilice este equipo o cuando esté cerca de donde se esté usando el equipo.



## PRECAUCIÓN

Hacer funcionar el motor a velocidades excesivas aumenta el riesgo de lesiones personales.

- NO juegue con partes que puedan aumentar o disminuir la velocidad de mando.
- NO opere la máquina lavadora a presión con un valor de presión superior a su clasificación de presión.



## PRECAUCIÓN

El lavadora de presión produce un rocío alto de la presión cuál riesgo de aumentos de la herida y daño a la unidad.

- NO asegure la pistola de rociado en la posición (open = abierto).
- NO abandone la pistola de rociado cuando la máquina esté en funcionamiento.
- NUNCA utilice una pistola de rociado que no tenga un seguro para gatillo o protección para gatillo en su lugar y en buenas condiciones.
- Siempre asegúrese de que la pistola de rociado, boquillas y accesorios estén conectados correctamente.

## PRECAUCIÓN

El rociado de alta presión puede dañar elementos frágiles, incluyendo el vidrio.

- NO apunte la pistola de rociado al vidrio cuando esté en el modo de rociado a chorro.
- NUNCA apunte la pistola a plantas.

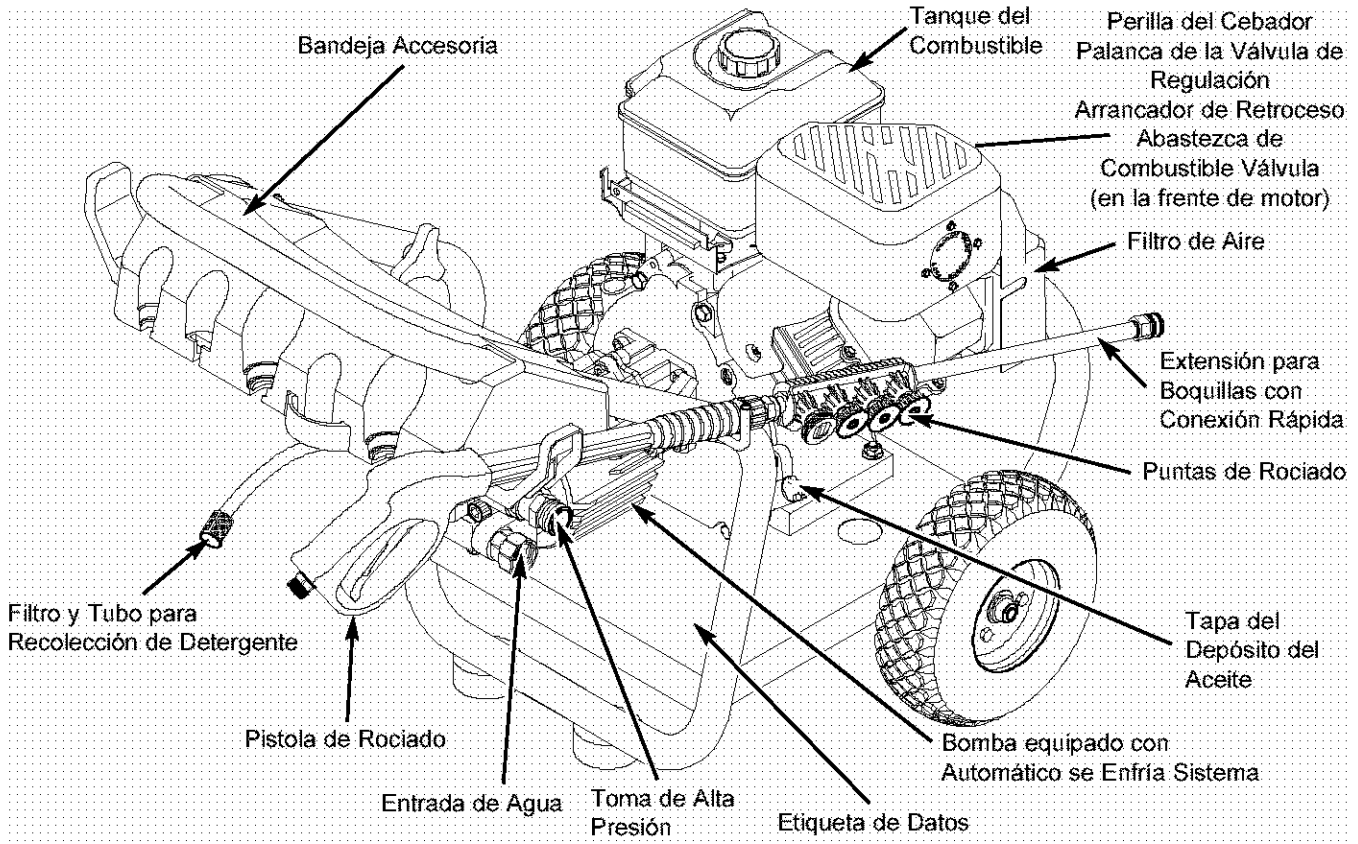
## PRECAUCIÓN

El tratamiento inadecuado del lavadora de presión puede dañarlo y acortar su vida productiva.

- Si usted tiene alguna pregunta acerca de las finalidades de uso del generador, pregúntele a su concesionario o contacte a Sears.
- NUNCA deberán ser operadas las unidades con partes rotas o ausentes, o sin la caja o cubiertas de protección.
- NO eluda ningún dispositivo de seguridad de esta máquina.
- Antes de poner en marcha la máquina lavadora a presión en clima frío, revise todas las partes del equipo y asegúrese de que no se haya formado hielo sobre ellas.
- NUNCA mueva la máquina halando la manguera de alta presión. Utilice la manija que viene con la unidad.
- Revise que el sistema de combustible no presente fugas o signos de deterioro, como mangueras desgastadas o porosas, sujetadores flojos o ausentes, tapa o tanque dañados. Corrija todos los defectos antes de operar la máquina lavadora a presión.
- El equipo de alta presión está diseñado para ser utilizado UNICAMENTE con las partes autorizadas Sears. Si utiliza este equipo con partes que no cumplan con las especificaciones mínimas, el usuario asume todos los riesgos y responsabilidades.

## CONOZCA SU MAQUINA LAVADORA DE PRESION

Lea el manual del propietario y las reglas de seguridad antes de poner en marcha su máquina lavadora a presión. Compare las ilustraciones con su máquina lavadora a presión para familiarizarse con las ubicaciones de los diferentes controles y ajustes. Guarde este manual para referencias futuras.



**Abastecza de Combustible Válvula** - Esté acostumbrado a prende el combustible y lejos al motor.

**Arrancador de Retroceso** - Usado para arrancar el motor manualmente.

**Automático se Enfría Sistema** - Los ciclos regan por bomba cuando agua alcanza 125°-155°F. Entibiar agua descargará de la bomba en el suelo. Este sistema previene el daño interno de bomba.

**Bandeja Accesorio** - Proporciona convenient almacenamiento para el estándar y accesorios opcionales, tal como cepillos, las varitas de turbo, ect.

**Bomba** - Desarrolla alta presión de agua.

**Entrada de Agua** - Conexión para la manguera de jardín.

**Etiqueta de Datos** - Proporciona el modelo, revisión y el número de serie de lavadora de presión. Tenga por favor estos prontamente disponible cuándo llamar para la ayuda.

**Extensión para Boquillas con Conexión Rápida** - Le permite usar cuatro boquillas de rociado diferentes.

**Filtro de Aire** - El elemento de filtro tipo seco limita la cantidad de suciedad y polvo que se introduce en el motor.

**Filtro y Tubo para Recolección de Detergente** - Usado para succionar detergente de la botella de químicos a la corriente de agua de baja presión.

**Manguera de Alta Presión** - Conecte un extremo a la pistola de rociado y el otro extremo a la toma de alta presión.

**Palanca de Control de la Válvula de Regulación** - Coloca el motor en modo de arranque para el arrancador de retroceso y detiene el motor en funcionamiento.

**Perilla del Cebador** - Usada para arranque de motores fríos.

**Pistola de Rociado** - Controla la aplicación de agua sobre la superficie de limpieza con el gatillo. Incluye cerrojo de seguridad.

**Puntas de Rociado** - Inyección de químicos, 0°, 15°, 40°: para diferentes alta presión aplicaciones de limpieza.

**Tanque del Combustible** - Llene el tanque con gasolina regular sin contenido de plomo en este punto.

**Tapa del Depósito del Aceite** - Llene el motor con aceite aquí.

**Toma de Alta Presión** - Conexión para la manguera de alta presión.

# MONTAJE

Su máquina lavadora a presión requiere de cierto ensamble y estará lista para ser usada únicamente después de haber depositado el combustible y el aceite recomendado.

**Si tiene problemas con el ensamble de su máquina lavadora a presión, llame a la línea de ayuda de la máquina lavadora a presión al 1-800-222-3136.**

**IMPORTANTE:** Cualquier intento de hacer funcionar el motor sin haber depositado el aceite recomendado resultará en falla del mismo.

## RETIRE LA MAQUINA LAVADORA A PRESION DE LA CAJA

1. Retire la caja de partes enviada con su máquina lavadora a presión.
2. Corte dos esquinas opuestas al extremo de la manija guía de la caja, de la parte superior a la inferior, de tal forma que el panel pueda ser doblado hacia abajo.
3. Saque la máquina lavadora a presión de la caja.
4. Revise la caja para ver si existen partes sueltas adicionales.

## CONTENIDO DE LA CAJA

Revise el contenido de la caja. Si alguna de las partes no está presente o está dañada, llame a la línea de ayuda de la máquina lavadora a presión al **1-800-222-3136**.

- La Unidad Principal
- Manubrio
- Bandeja Accesorio Plástica
- La Manguera de Alta Presión
- Pistola de Rociado
- Los Componentes del Carrete de la Manguera
- Boquilla a Chorro de Conexión Rápida
- Extensión de la Lanza con las Piezas de Conexión Rápida
- Aceite para Motor
- Bolsa de accesorios (incluye lo siguiente):
  - Manual del Propietario
  - Tarjeta de Registro del Propietario
  - Bolsa con 4 Lanzas de Conexiones Rápidas Multicolores
  - Piezas para la manubrio (incluye lo siguiente):
    - Perno del Soporte
    - Perno "L"
    - Perilla Plástica (2)
    - Gancho "J"
    - Clip Detergente de la Manga
    - Auto Utiliza Enrosca (4)

Familiarícese con cada parte antes de ensamblar la máquina lavadora a presión. Compare el contenido con la ilustración de la página 31. Si alguna de las partes NO está presente o se encuentra dañada, llame a la línea de ayuda de la máquina lavadora a presión al **1-800-222-3136**.

## MONTAJE DE LA MAQUINA LAVADORA A PRESION

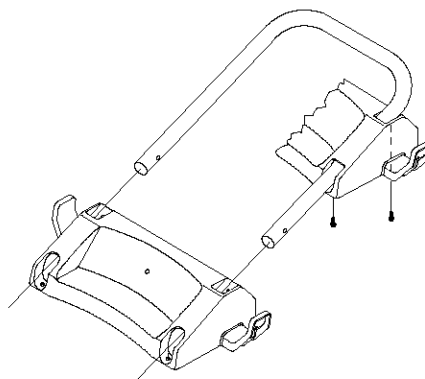
La gran mayoría de su máquina lavadora a presión Craftsman ha sido ensamblada en la fábrica. Sin embargo, usted deberá llevar a cabo los siguientes procedimientos antes de poner en funcionamiento su máquina lavadora a presión:

1. Llene y mande en tarjeta de matrícula.
2. Conecte manubrio y bandeja accesoria a unidad principal.
3. Añada aceite al motor.
4. Añada gasolina al tanque de combustible.
5. Conecte manguera a alta presión a pistola rociadora y a bomba.
6. Conecte el suministro de agua a bomba.
7. Conecte boquilla la extensión al pistola rociadora.
8. Selecto/conecta rápido conecta boquilla a la extensión de la boquilla.
9. Conecte manga carrete según hoja de instrucción incluyó en la caja de carrete de manga.

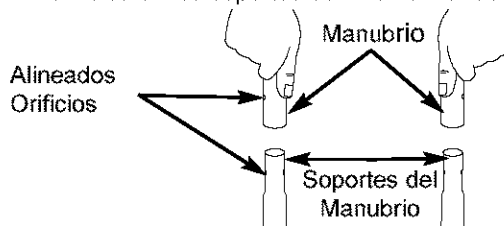
## Conecte el Manubrio y Bandeja Accesorio

**NOTA:** Todas las operaciones de ensamble proporcionadas en esta sección, serán descritas desde la perspectiva del ensamblaje de la lavadora a presión desde su parte posterior.

1. Deslice la bandeja accesoria plástica en el asidero y alinee los hoyos en la bandeja accesoria con los hoyos en el asidero.



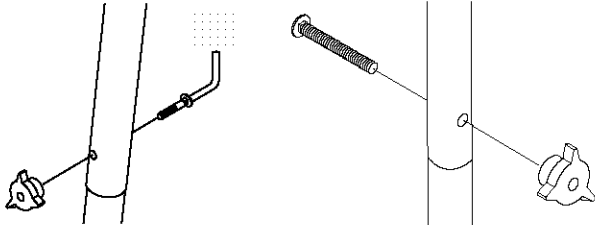
2. La bandeja segura al asidero con tornillos auto utiliza usando un #2 destornillador de phillips. Asegure seres de tornillos apretados pero no aplastar la bandeja accesoria plástica.
3. Coloque el manubrio sobre los soportes del mismo que ya están adheridos a la unidad principal. Asegúrese de que los orificios en el manubrio estén alineados con los orificios en los soportes del mismo manubrio.





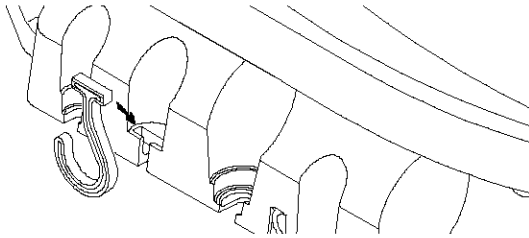
**NOTA:** Tal vez será necesario mover los soportes del manubrio de un lado a otro para alinear el manubrio de tal manera que pueda deslizarse sobre los soportes del mismo manubrio.

4. Inserte el perno del soporte a través del orificio que se encuentra al lado izquierdo del manubrio (visto desde la parte posterior de la unidad) y fije la perilla de plástico. Apriete la perilla manualmente.

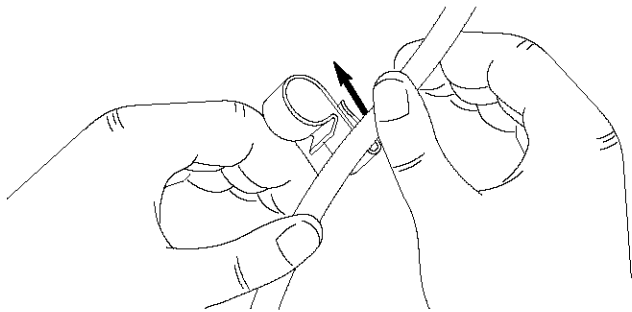


5. Inserte el perno "L" a través del orificio al lado derecho del manubrio (visto desde la parte posterior de la unidad) y fije la perilla de plástico. Apriete la perilla manualmente.

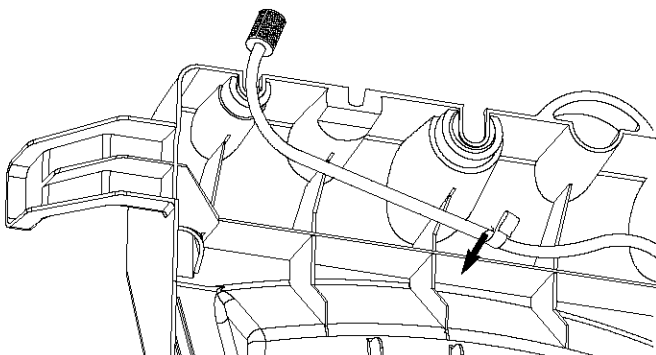
6. Inserte el gancho "J" en la segunda ranura a la izquierda en el charola de accesorios.



7. Pellizque la manga química y lo desliza en el clip de metal como mostrado.



8. Incline la unidad arriba por el asidero y conecte el clip de metal a la costilla en la cara inferior central de la bandeja accesoria. Deslice la manga química por el clip de metal para que no sea apretado pero kinked.

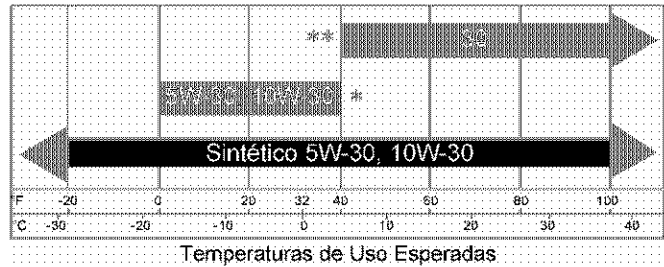


## Agregue Aceite de Motor

**IMPORTANTE:** Cualquier intento de hacer girar o arrancar el motor antes de que se haya depositado el aceite recomendado puede resultar en falla del motor.

**NOTA:** Cuando agregue aceite al compartimiento del motor, utilice únicamente aceite detergente de alta calidad, designado con la clasificación API de servicio SF, SG, SH, SJ o superior, clasificado con el peso SAE 30. NO use aditivos especiales.

1. Seleccione una viscosidad de acuerdo a la tabla siguiente.



\* El uso de aceites multigrado (5W-30, 10W-30, etc.) en temperaturas mayores a los 40°F (4°C) ocasionará un consumo de aceite mayor al normal. Cuando utilice un aceite multigrado, revise con mayor frecuencia el nivel de aceite del motor.

\*\* Si utiliza aceite SAE 30 en temperaturas inferiores a los 40°F (4°C), ocasionará que el arranque sea más difícil e incluso que se desbiele el motor debido a su inadecuada lubricación interna.

2. Coloque la máquina lavadora a presión en una superficie nivelada.
3. Limpie el área alrededor del llenado de aceite.
4. Remueva la tapa del llenado de aceite.
5. Vierta el aceite lentamente. Llene al punto de sobrellenado.
6. Coloque en su lugar la tapa del llenado de aceite, apriétela firmemente.

**NOTA:** Revise el aceite frecuentemente durante el despegue del motor.

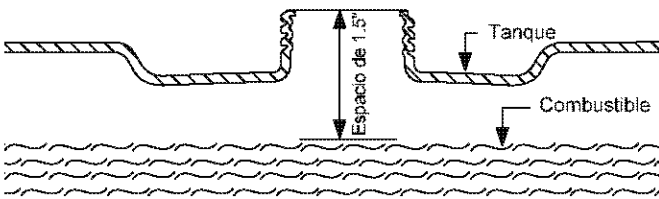
## Agregue Gasolina

**¡ADVERTENCIA!** NUNCA llene el tanque de combustible en recintos cerrados. NUNCA llene el tanque de combustible cuando el motor esté funcionando o esté caliente. NO fume cuando esté llenando el tanque de combustible.

**¡ADVERTENCIA!** NUNCA llene por completo el tanque de combustible. Deje espacio para la expansión del combustible. Limpie cualquier derrame de combustible del motor y del equipo antes de darle arranque a la unidad.

- Use combustible limpio y almacénelo en recipientes cubiertos, limpios y aprobados. Utilice embudos limpios. NUNCA utilice gasolina "vieja" dejada de la estación anterior o gasolina almacenada por períodos de tiempo prolongados.

- Limpie el área alrededor de la tapa de llenado del combustible, retire la tapa.
- Agregue lentamente gasolina regular "SIN PLOMO" al tanque de combustible. Use un embudo para evitar que se derrame. Llene el tanque lentamente hasta aproximadamente 1.5" por debajo de la parte la cima del cuello del tubo de llenado.



- Instale la tapa del tanque de combustible y limpie la gasolina que se haya derramado.

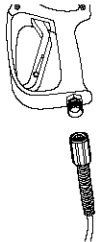
**IMPORTANTE:** Es importante evitar la formación de depósitos de goma en las partes esenciales del sistema de combustible como en el carburador, filtro del combustible, manguera del combustible o tanque, durante su almacenamiento. Los combustibles mezclados con alcohol (llamados gasohol, etanol o metanol) pueden atraer la humedad, la cual produce la separación y formación de ácidos durante el almacenamiento. La gasolina ácida puede dañar el sistema de combustible de un motor durante su almacenamiento.

Para evitar problemas en el motor, deberá vaciar el sistema de combustible antes de periodos de almacenamiento de 30 días o más. Vea "Almacenamiento" en la páginas 43-44. NUNCA use productos para limpiar motores o carburadores en el tanque del combustible; si lo hace ocurrirán daños permanentes.

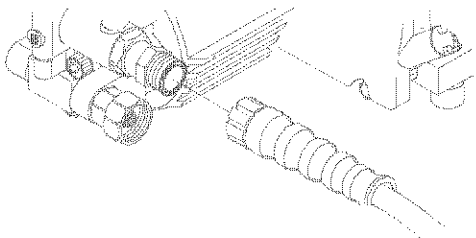
## Conecte la Manguera y el Suministro de Agua a la Bomba

**IMPORTANTE:** Usted deberá conectar todas las mangueras antes de darle arranque al motor. La bomba resultará dañada si arranca el motor sin tener todas las mangueras conectadas y el suministro agua abierto.

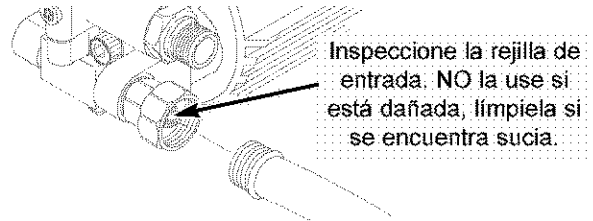
1. Desenrolle la manguera de alta presión y conecte un extremo de la manguera a la base de la pistola de rociado. Apriete con la mano.



2. Conecte el otro extremo de la manguera de alta presión a la salida de alta presión de la bomba. Apriete con la mano.



3. Antes de que conecte la manguera de jardín a la entrada de agua, inspeccione el colador de la entrada. Limpie el colador si tiene residuos o solicite su remplazo si está dañado. **NO haga funcionar la máquina lavadora a presión si el colador de la entrada está dañado.**



4. Haga correr el agua a través de la manguera de su jardín por 30 segundos para limpiar cualquier escombros que se encuentre en ella. Desconecte el agua.

**IMPORTANTE:** Hace NO agua de parar de siphon para el abastecimiento de agua. Use agua SOLO fría (menos que 100°F).

5. Conecte la manguera de jardín (no exceder 50 pies en la longitud) a la entrada del agua. Apriete con la mano.

## PRECAUCIÓN

DEBE haber por lo menos diez pies de manguera de jardín libre entre la entrada de agua de la lavadora a presión y cualquier dispositivo de control de flujo de agua, sea el caso de un conector "Y" o de cualquier otro tipo de válvula.

- El daño a la lavadora a presión, resultado de la desatención a esta precaución, no será cubierto por la garantía.

6. ABRA el suministro del agua y abra la válvula de suministro para purgar la sistema de bomba de aire y impureza.



## ADVERTENCIA



El rociado de alta presión puede hacer que partículas pequeñas de pintura u otras partículas salgan disparadas y viajen a altas velocidades.

- Siempre use protección para los ojos cuando utilice este equipo o cuando esté cerca de donde se esté usando el equipo.
- Antes de darle arranque a la máquina lavadora a presión, asegúrese de usar protección adecuada para los ojos.

## LISTA DE REVISION PREVIA AL ARRANQUE DEL MOTOR

Revise la unidad para asegurarse que ha llevado a cabo los siguientes procedimientos:

1. Revise que haya sido depositado aceite y esté al nivel correcto en la caja del cigüeñal del motor.
2. Deposite la gasolina adecuada en el tanque del combustible.
3. Revise que todas las conexiones de las mangueras (alta presión y suministro de agua) estén apretadas correctamente y que no existan dobleces, cortes o daño de la manguera de alta presión.
4. Proporcione el suministro de agua adecuado (que no exceda los 100°F).
5. Asegúrese de leer las secciones "Reglas de Seguridad" y "Operación" antes de usar la máquina lavadora a presión.
6. Si va a encender la unidad después de haber estado almacenada, consulte la sección "Almacenamiento" en la página 43-44.

# OPERACION

## CÓMO USAR SU MÁQUINA LAVADORA A PRESIÓN

Si tiene problemas operando su máquina lavadora a presión, por favor llame a la línea de ayuda para máquinas lavadoras a presión al **1-800-222-3136**.

### Cómo Darle Arranque a su Máquina Lavadora a Presión

Para darle arranque a su máquina lavadora a presión movida a motor por primera vez, siga estas instrucciones paso a paso. Esta información acerca del arranque inicial también se aplica cuando vaya a darle arranque al motor después de haber dejado de la máquina lavadora a presión fuera de uso por al menos un día.

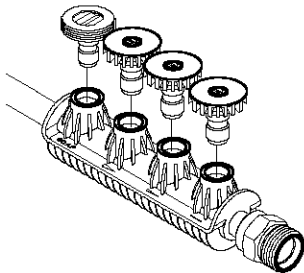
1. Coloque la máquina lavadora a presión en un área cercana a una suministro de agua exterior capaz de abastecer agua a un volumen mayor de 3.7 galones por minuto en no menos que 20 PSI en el fin de arandela de presión de la manga del jardín.
2. Revise que la manguera de alta presión se encuentre conectada firmemente a la pistola de rociado y a la bomba. Vea "Montaje de La Máquina Lavadora a Presión".
3. Asegúrese que la unidad esté nivelada.
4. Conecte la manguera de jardín a la entrada del agua. Apriete la con la mano. **Abra el suministro de agua.**

### PRECAUCIÓN

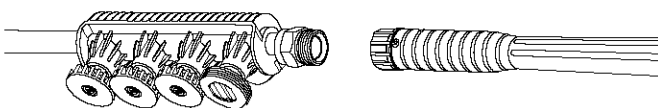
No haga funcionar la bomba si no tiene el suministro conectado y abierto.

- El daño a la lavadora a presión, resultado de la desatención a esta precaución, no será cubierto por la garantía.

5. Presione el disparador en la pistola para purgar de aire e impurezas el sistema de bombeo.
6. Coloque el coloró rápido conecta puntas de rocío en las ranuras en el poseedor eso's conectado a la extensión de la lanza.

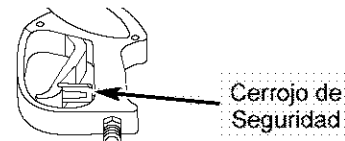


7. Acople la boquilla de extensión a la pistola aspersora. Apriétela manualmente.

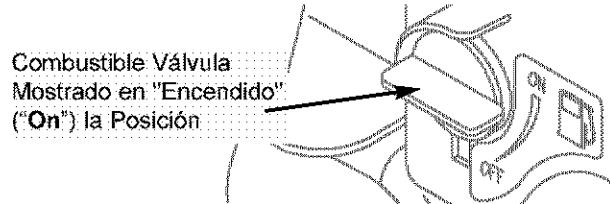


8. Seleccione la puntas de rocío de conexión rápida que usted desee e insértela en el extremo de la extensión de la lanza (Vea "Como Usar las Puntas de Rocío").

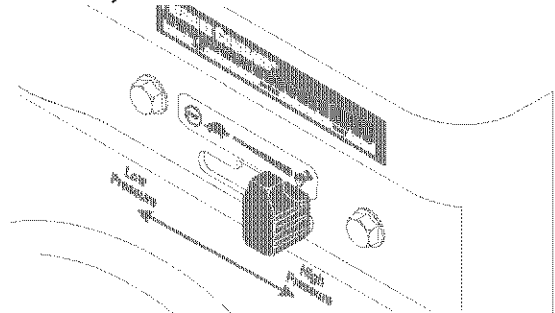
9. Fije el pestillo de seguridad al disparador de la pistola aspersora.



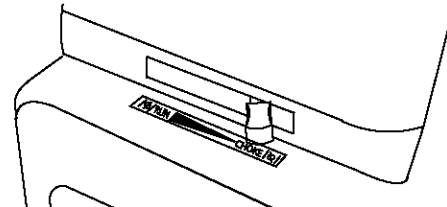
10. Gire la válvula de control de combustible a la posición de "Encendido" ("On") (completamente en dirección contraria a las manecillas del reloj).



11. Mueva el palanca variable del control de la presión a la posición "Alto" ("High"), que se distingue con la figura de un conejo.



12. Mueva la palanca del ahogador a la posición "Ahogado" ("Choke").



**NOTA:** En el caso de que el motor esté caliente, asegúrese de que la perilla del cebador se encuentre en la posición "En marcha" ("Run").

13. Sujete la manija y hale ligeramente la manija del arranque hasta que sienta cierta resistencia. Después hálela rápidamente.
14. Jale la cuerda de arranque lentamente. **NO** permita que la cuerda regrese bruscamente en contra del arrancador.
15. Cuando arranque el motor, mueva lentamente la palanca del ahogador a la posición "En marcha" ("Run"). Si el motor falla, mueva la palanca a la posición "Ahogado" ("Choke"), y después a la posición "En marcha" ("Run").
16. Si los fuegos de motor, pero no continúa correr, Presione el disparador en la pistola para aliviar la presión interna de bomba. Mueva la palanca del ahogador a la posición "En marcha" ("Run"), y repite los pasos 13 por 15.

17. Si el motor no arranca después de 6 tirones, mueva la palanca del ahogador a la posición "En marcha" ("Run").



## PRECAUCIÓN

Evite las lesiones que puede causar el retroceso.

- Cuando arranque el motor, tire lentamente del cable hasta sentir una resistencia y, a continuación, tire rápidamente de él para evitar su retroceso.
- Si el motor arranca y deja de funcionar o si la resistencia aumenta al tirar del cable en intentos sucesivos de arranque, apriete el gatillo de la pistola rociadora.

## Cómo Detener su Máquina Lavadora a Presión

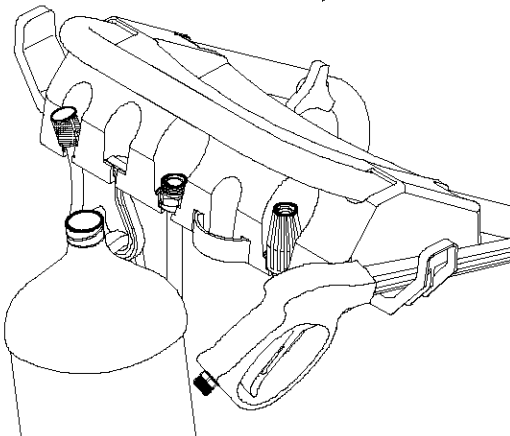
- Mueva la palanca variable del control de la presión a la posición "Parado" ("Stop").
- **Apriete el gatillo de la pistola de rociado para eliminar la presión de la manguera.**

**NOTA:** Observará una pequeña cantidad de agua cuando elimine la presión.

## Utilización de la Charola de Accesorios

El unidad está equipado con una charola de accesorios. Posee tres orificios para sostener la extensión de su boquilla, conexión rápida boquillas y su varilla turbo, así como dos ranuras para sostener la botella de solución limpiadora y el filtro para el detergente. También tiene dos ganchos en el manubrio para sostener su pistola aspersora.

1. Coloque la extensión de la boquilla a través del orificio en el charola de accesorios, tal y como se muestra.



2. Sostenga la botella de su solución limpiadora en el gancho en forma de "J" y coloque el filtro del detergente en la última ranura a la izquierda.
3. Coloque la boquilla a chorro en de durar ranura en el derecho en charola de accesorios.
4. Sostenga la pistola aspersora sobre el gancho adherido al manubrio al lado derecho de la unidad.

## Cómo Usar las Puntas de Rocío

La conexión rápida de la extensión para boquillas le permite usar cinco puntas de rocío diferentes. Las puntas de rocío tienen diferentes patrones de rociado como se ilustra a continuación.



## PRECAUCIÓN

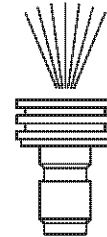
El lavadora de presión produce un rocío alto de la presión cuál riesgo de aumentos de la herida y daño a la unidad.

- NUNCA intercambie puntas de rocío sin haber asegurado el cerrojo de seguridad del gatillo.

**Para cambiar las puntas de rocío:**

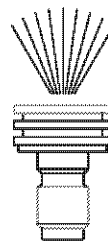
1. Coloque el pestillo de seguridad de la pistola de rociado.
2. Desplace hacia atrás el anillo del conector rápido y tire de la punta de rociado que esté montada.
3. Seleccione la punta de rociado deseada:
  - Para enjuagado suave, seleccione la punta de rociado blanca de 40°.
  - Para fregar la superficie, seleccione las puntas de rociado amarilla de 15° ó roja de 0°.
  - Para aplicar productos químicos, seleccione la punta de rociado negra.

### La Presión Baja

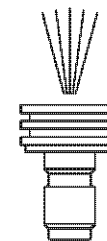


Negra  
Usada para  
aplicar químicos

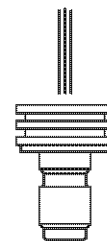
### La Presión Alta



40° Blanca



15° Amarilla



0° Roja

4. Desplace hacia atrás el anillo, inserte la nueva punta de rociado y suelte el anillo. Tire de la punta de rociado para comprobar que está bien montada.
5. Para una limpieza más efectiva, mantenga la boquilla de rociado de 8 a 24 pulgadas de la superficie de limpieza. Si coloca la boquilla muy cerca, podría dañar la superficie que está limpiando. **NO** coloque la boquilla a menos de 6 pulgadas cuando esté limpiando llantas.

## Cómo Usar la Boquilla a Chorro

La boquilla a chorro hace girar la corriente de alta presión en un patrón circular rápido. Siempre comience a usar la boquilla a chorro a cierta distancia y vaya acercándose a la superficie gradualmente hasta que obtenga la fuerza de limpieza que desee.

1. Desplace hacia atrás el anillo del conector rápido y tire de la punta de rociado que esté montada.
2. Desplace hacia atrás el anillo, inserte la nueva boquilla a chorro y suelte el anillo. Tire de la boquilla a chorro para comprobar que está bien montada.
3. El rociado de alta presión es más efectivo cuando la punta de la vara se encuentra entre 8 y 24 pulgadas de la superficie que se está limpiando. Si coloca la boquilla a chorro muy cerca, podría dañar la superficie que está limpiando.

**NOTA:** Usted no puede aplicar detergente con la boquilla a chorro.

## Limpieza y Aplicación del Químico

**IMPORTANTE:** Utilice químicos diseñados específicamente para máquinas lavadoras a presión. Los detergentes caseros podrían dañar la bomba.

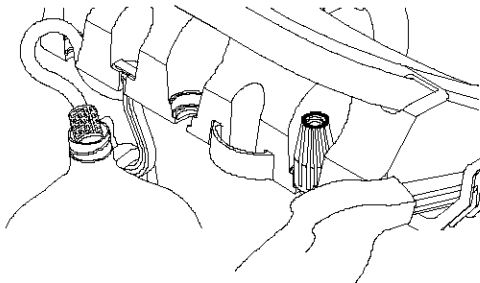
### PRECAUCIÓN

Usted deberá conectar todas las mangueras antes de darle arranque al motor.

- Arrancar el motor sin tener todas las mangueras conectadas y sin el suministro de agua ABIERTO (ON) causará el daño de la bomba.
- El daño a la lavadora a presión, resultado de la desatención a esta precaución, no será cubierto por la garantía.

**Para aplicar el detergente, siga los siguientes pasos:**

1. Revise el uso de las puntas de rocío.
2. Prepare la solución detergente siguiendo las instrucciones del fabricante.
3. Sostenga la solución detergente en el gancho "J" adherido al charola de accesorios, tal y como lo muestra.



4. Coloque el pequeño extremo final del filtro del tubo de inyección del detergente dentro del contenedor del detergente.

### PRECAUCIÓN

Evite que el tubo de inyección de químicos entre en contacto con el silenciador caliente.

- Cuando coloque el filtro en la botella del químico, coloque el tubo de manera que no entre en contacto accidentalmente con el silenciador caliente.

5. Asegúrese de que la puntas de rocío negra esté instalada en la extensión para boquillas.

**NOTA:** NO se puede aplicar detergente con las puntas de rocío de alta presión (Blanca, Amarilla o Roja).

6. Asegúrese que la manguera de jardín esté conectada a la entrada del agua. Revise que la manguera de alta presión esté conectada a la pistola de rociado y a la bomba. Dele arranque al motor.
7. Aplique el detergente sobre la superficie seca, comenzando en la parte inferior del área y dirigiéndose hacia arriba, utilizando movimientos largos, parejos y superpuestos.
8. Permita que el detergente penetre de 3 a 5 minutos antes de enjuagar. Vuelva a aplicar cuando sea necesario para evitar que la superficie se seque. NO permita que el detergente se seque. Si permite que el detergente se seque, la superficie podría quedar con manchas.

**IMPORTANTE:** Usted deberá lavar el sistema de inyección de químicos después de cada uso colocando el filtro en un balde de agua limpia y haciendo funcionar la máquina lavadora a presión de 1 a 2 minutos en el modo de baja presión.

## Enjuague de la Máquina Lavadora a Presión



### Lavado y Enjuague de la Superficie

Este Lavadora a Presión permite la regulación de la presión de salida del agua variando la velocidad del motor. El palanca variable del control de la presión encontró en la frente del motor puede ser puesto, como mostrado:

Presión	Baja	a	Alta
Trabajo	Ligera	Mediana	Pesada
Aplicación	Autos	Concreto	Remoción de Pintura
	Botes	Entradas	Eliminación de Grasa
	Muebles	Plataformas	

**Después de haber aplicado el detergente, refriegue la superficie y enjuágela de la siguiente manera:**

1. Coloque el cerrojo de seguridad a la pistola de rociado.
2. Retire la boquilla negra para químicos de la extensión para boquillas.
3. Seleccione e instale la boquilla de alta presión que desee siguiendo las instrucciones de "Cómo Usar las Puntas de Roció" de la página 36.
4. Mantenga la pistola de rociado a una distancia segura del área que planea rociar.

 <b>ADVERTENCIA</b>	
	<b>El rociado de la alta presión podría hacerlo caer si está muy cerca de la superficie de limpieza.</b>
<ul style="list-style-type: none"><li>• Mantenga la boquilla de rociado de 8 a 24 pulgadas de la superficie de limpieza.</li><li>• Opere y almacene esta unidad sobre una superficie estable.</li><li>• Sea extremadamente cuidadoso si usa la máquina lavadora a presión desde una escalera, andamio o cualquier superficie relativamente inestable.</li><li>• Sujete la pistola de la hidrolavadora firmemente con ambas manos cuando utilice el rociado a alta presión. De esta manera evitará lesiones producidas por el posible golpe de la pistola hacia atrás.</li></ul>	

5. Ajuste la presión del rocío deslizando la izquierda variable de palanca de control de presión o derecho, cuando mostrado en la página 35.
6. Aplique un rociado de alta presión en un área pequeña, después revise si la superficie presenta daños. Si no encuentra daños, puede continuar con el trabajo de limpieza.
7. Comience en la parte superior del área que va a enjuagar, dirigiéndose hacia abajo con los mismos movimientos superpuestos que utilizó para la limpieza.

## Cómo Usar el Carrete de la Manguera

Su máquina lavadora a presión está equipada con un carrete diseñado para almacenar la manguera cuando la unidad no está siendo usada. Estas instrucciones se aplican únicamente para almacenamientos por un corto período de tiempo. Para almacenamiento prolongado consulte la sección "Almacenamiento" de la páginas 43-44.

### Después de cada uso:

1. Desconecte la manguera de la pistola y la toma de alta presión de la bomba.
2. Drene el agua de la manguera.
3. Pase un extremo de la manguera por el orificio del carrete de la manguera. Haga girar el carrete con la manija para enrollar la manguera en el carrete.

**IMPORTANTE:** NO use la máquina lavadora a presión teniendo la manguera enrollada en el carrete. El carrete es únicamente para su almacenamiento.

## Sistema de Enfriamiento Automático (Alivio Térmico)

El agua que circula dentro de la bomba puede alcanzar temperaturas entre los 125°-155°F si hace funcionar el motor de su máquina lavadora a presión de 3 a 5 minutos sin oprimir el gatillo de la pistola de rociado. Cuando el agua alcanza dicha temperatura, el sistema de enfriamiento automático se activa y enfría la bomba **descargando agua caliente en el piso.**

# MANTENIMIENTO

## RESPONSABILIDADES DEL PROPIETARIO

Siga el programa de mantenimiento según el número de horas o según el calendario, lo que suceda primero. Se requiere de servicio con mayor frecuencia cuando opere la unidad en las condiciones adversas descritas a continuación.

CALENDARIO DE MANTENIMIENTO ANOTE LAS FECHAS CONFORME CUMPLA CON EL SERVICIO NORMAL	INTERVALO DE OPERACIÓN POR HORA			FECHAS DE SERVICIO			
	Antes de Cada Uso	Cada 50 Horas o al Año	Cada 100 Horas o al Año				
<b>LAVADORA A PRESIÓN</b>							
Revise/limpie el filtro de la entrada de agua	X <sup>1</sup>						
Revise la manguera de alta presión	X						
Revise la manguera del detergente	X						
Revise la pistola aspersora y verifique que no haya fugas en el ensamblaje	X						
Purgue la bomba de aire y de contaminantes	X						
Cambio del aceite de la bomba		x					
Prepare la bomba para almacenarla a menos de 32°F	Vea "Almacenamiento" en la páginas 43-44.						
<b>Motor</b>							
Verificar el nivel de aceite	X						
Cambiar el aceite del motor		X <sup>2</sup>					
Servicio al filtro de aire			X <sup>3</sup>				
Servicio a la bujía			X				
Servicio al sistema de la bujía		X					
Prepar almacenamiento	Si la unidad permanecerá sin uso por más de 30 días.						

- <sup>1</sup> Limpiar si está obstruido. Reemplazar si está perforado o roto.
- <sup>2</sup> Cambiar el aceite después de las primeras (5) horas y después cada 50 horas. Hacer el cambio de aceite con mayor frecuencia cuando trabaje en condiciones de mucha suciedad o polvo.
- <sup>3</sup> Reemplazar más a menudo bajo condiciones de suciedad o polvo.

## ESPECIFICACIONES DEL PRODUCTO

### Especificaciones de la Máquina Lavadora a Presión

Presión . . . . . 3000 PSI  
 Velocidad de flujo . . . . . 2.7 GPM  
 Mezcla de químicos . . . . . Use según instrucciones  
 Temperatura del suministro de agua . . . . . Que no exceda los 100°F  
 Peso que Embarca . . . . . 75 lbs.

### Especificaciones del Motor

Caballos de fuerza . . . . . 7.25 HP  
 Bujía  
 Resistor . . . . . Champion RC12YC  
 Platino de Larga Duración . . . . . Champion RC12PYP  
 Calibre la separación a: . . . . . 0.020 pulgadas (0.50 mm)  
 Capacidad de gasolina . . . . . 3.0 Cuartos  
 Aceite  
 Por encima de 40°F . . . . . SAE 30  
 0°F - 40°F . . . . . SAE 5W-30 o 10W-30

## RECOMENDACIONES GENERALES

La garantía de la máquina lavadora a presión NO cubre los elementos que han sido sujetos a abuso o negligencia por parte del operador. Para hacer válida la cobertura total de la garantía, el operador deberá mantener la lavadora de presión tal y como se indica en el manual, incluyendo su adecuado almacenamiento, como se describe en la sección "Almacenamiento" en la página 43-44.

Algunos ajustes tendrán que hacerse periódicamente para mantener adecuadamente su máquina lavadora a presión. Todos los servicios y ajustes deberán hacerse por lo menos una vez en cada estación. Siga las instrucciones de la tabla "Programa de Mantenimiento" descrita anteriormente.

**NOTA:** Una vez al año, usted deberá limpiar o reemplazar la bujía y el filtro de aire. Una bujía nueva y un filtro de aire limpio garantizan una mezcla de combustible-aire adecuada y le ayuda a su motor a funcionar mejor y a tener una vida útil más prolongada.

Si equipó con llantas que se puede hinchar, mantenga la presión aérea en el valor marcado en la llanta o dentro de 15 y 40 psi.

## ANTES DE CADA USO

1. Revise el nivel de aceite del motor.
2. Revise si existen daños en el colador de la entrada de agua.
3. Revise si existen fugas en la manguera de alta presión.
4. Revise si existen daños en los filtros de químicos.
5. Revise si existen fugas en el conjunto de la vara y pistola.
6. Elimine el aire y los contaminantes de la bomba.


## MANTENIMIENTO DE LA MAQUINA LAVADORA A PRESION

### Revise y Limpie el Colador de Entrada

Examine el colador de entrada de la manguera de jardín. Límpielo si está tapado o réplacelo si está roto.

### Revise la Manguera de Alta Presión

Las mangueras de alta presión pueden desarrollar fugas debido al desgaste, dobleces o abuso. Revise la manguera antes de cada uso. Revise si existen cortes, fugas, abrasiones, levantamiento de la cubierta, daño o movimiento de los acoplamientos. Si existe cualquiera de estas condiciones, réplacela inmediatamente.

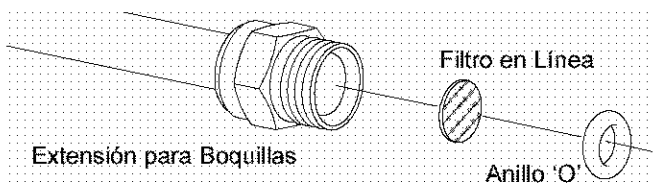
 <b>ADVERTENCIA</b>	
	La corriente de agua de alta presión que produce este equipo pueden perforar la piel y sus tejidos profundos, ocasionando lesiones serias y posible amputación.
<ul style="list-style-type: none"><li>• NUNCA repare la manguera de alta presión. Réplacela.</li><li>• Réplacela con una manguera que cumpla con la capacidad mínima de presión de su máquina lavadora a presión.</li></ul>	

### Revise la Pistola y la Extensión para Boquillas

Examine la conexión de la manguera a la pistola y cerciórese de que esté en buen estado. Pruebe el gatillo oprimiéndolo y asegurándose de que se devuelve a su sitio cuando lo suelte. Coloque el cerrojo de seguridad y pruebe el gatillo. Usted no debe ser capaz de oprimir el gatillo. Réplacela inmediatamente si falla cualquiera de estas pruebas.

### Revise el Filtro en Línea

Consulte la ilustración y suministre servicio al filtro en línea si se tapa siguiendo estos pasos:



1. Retire la pistola y la extensión para boquillas de la manguera de alta presión. Retire la extensión para boquillas de la pistola y retire el anillo 'o' y el colador de la extensión para boquillas. Lave el colador, pistola y extensión para boquillas con agua limpia para eliminar toda clase de residuos.

2. Coloque el colador del filtro en línea en el extremo con rosca de la extensión para boquillas. Su dirección NO importa. Coloque el colador ejerciendo presión con el borrador de un lápiz hasta que se asiente por completo en el fondo de la abertura. Tenga cuidado de NO doblar el colador.
3. Coloque el anillo 'o' en la ranura respectiva. Empuje el anillo 'o' hasta que quede ajustado contra el colador del filtro en línea.
4. Conecte la extensión para boquillas a la pistola de rociado de la manera descrita anteriormente en este manual.

### Elimine el Aire y los Contaminantes de la Bomba

**Para retirar el aire de la bomba, siga los siguientes pasos:**

1. Instale la máquina lavadora a presión como está descrito en la sección de "Montaje De La Máquina Lavadora A Presion" y conecte el suministro de agua.
2. Hale el gatillo de la pistola y manténgalo apretado hasta que obtenga una corriente de agua constante.

**Para retirar los contaminantes de la bomba, siga los siguientes pasos:**

1. Instale la máquina lavadora a presión como está descrito en la sección de "Montaje De La Máquina Lavadora A Presion" y conecte el suministro de agua.
2. Retire la extensión para boquillas de la pistola.
3. Ponga en marcha el motor de acuerdo a las instrucciones de la sección "Cómo Usar Su Máquina Lavadora A Presión".
4. Hale el gatillo de la pistola y manténgalo apretado.
5. Cuando el suministro de agua sea uniforme y constante, enganche el cerrojo de seguridad y vuelva a ajustar la extensión para boquillas.

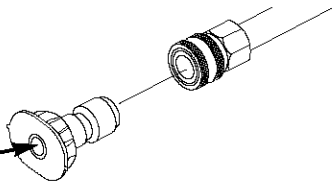
### Mantenimiento de la Boquilla

Si siente una sensación pulsante al momento de apretar el gatillo de la pistola rociadora, puede que sea causada por la presión excesiva en la bomba. La causa principal de la presión excesiva en la bomba es cuando la puntas de rocío se encuentra atascada o tapada con materiales extraños, tales como tierra, etc. Para corregir el problema, limpie inmediatamente la puntas de rocío siga las instrucciones siguientes:

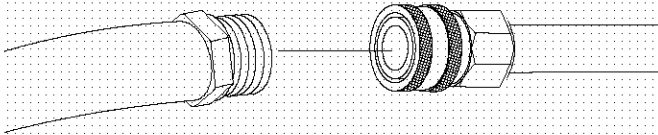
1. Apague el motor y apague el suministro de agua.
2. Remueva la puntas de rocío del extremo de la extensión de la boquilla.
3. Quite el en el filtro de la línea del otro fin de la extensión de boquilla.
4. Use el pequeño sujeta papeles para liberar cualquier material extraño que esté tapando la puntas de rocío.



Use el alambre aquí para eliminar los residuos.



5. Usando una manguera de jardín, remueva cualquier desecho adicional, poniendo agua en la extensión de la boquilla. Haga ésto de 30 a 60 segundos.



6. Instale de nuevo la puntas de rocío y en el filtro en-línea en la extensión.
7. Conecte de nuevo la extensión de la boquilla a la pistola rociadora.
8. Conecte de nuevo el suministro de agua, prenda el agua, y encienda el motor.
9. Pruebe el lavador a presión al hacer funcionar con cada una de las puntas de rocío de Conexiones rápidas que viene con el lavador a presión.

### Mantenimiento de los Anillos 'O'

Compre una O-Juego de Reparación de Anillo, el artículo numera 71-75116, en sus Sears locales o llamando **1-800-366-PART** o en línea en [www.sears.com](http://www.sears.com). No se incluye con la arandela de la presión. Este juego incluye los anillos del reemplazo O, arandela de caucho y filtro de cala de agua. Refiérase a la hoja de la instrucción proporcionada en el juego para atender a su unidad'los anillos de s O.

### MANTENIMIENTO DE LA BOMBA

Esto modelo no requiere cualquier conservación de bomba. La pompe est pré-lubrifiée et scellée, et il n'est pas nécessaire de la lubrifier à nouveau.

### MANTENIMIENTO DEL MOTOR

#### Revisión del Nivel del Aceite

El nivel del aceite deberá ser revisado antes de cada uso o al menos cada 5 horas de operación. Conserve el nivel del aceite.

### Cambio de Aceite

Cambie el aceite del motor después de las primeras 5 horas y cada 50 horas a partir de ese momento. Si está utilizando su máquina lavadora a presión bajo condiciones de extrema suciedad o polvo, o en un clima demasiado caliente, haga el cambio de aceite con mayor frecuencia.



#### PRECAUCIÓN

Evite el contacto prolongado o repetido de piel con aceite usado de motor.

- El aceite usado del motor ha sido mostrado al cancer de la piel de la causa en ciertos animales del laboratorio.
- Completamente lavado expuso áreas con el jabón y el agua.



**MANTENGA FUERA DE ALCANCE DE NIÑOS. NO CONTAMINE. CONSERVE los RECURSOS. VUELVA ACEITE USADO A la COLECCION CENTRA.**

**Cambie el aceite con el motor caliente después del funcionamiento, como se indica a continuación:**

1. Drene el tanque del combustible haciendo funcionar la máquina lavadora a presión hasta que el tanque esté vacío.
2. Desconecte alambre de bujía y lo mantiene lejos del bujía.
3. Quite la tapa del drenaje de aceite y vacíe el aceite en un recipiente apropiado.
4. Reinstale en su lugar la tapa del drenaje. Remueva la tapa del llenado de aceite.
5. Llène al punto de sobrellenado al nivel de la tapa del llenado de aceite.
6. Reinstale en su lugar la tapa del llenado de aceite y apriétela firmemente.
7. Limpie los residuos de aceite.
8. Conecte de nuevo alambre de bujía al bujía.

### Servicio del Depurador de Aire

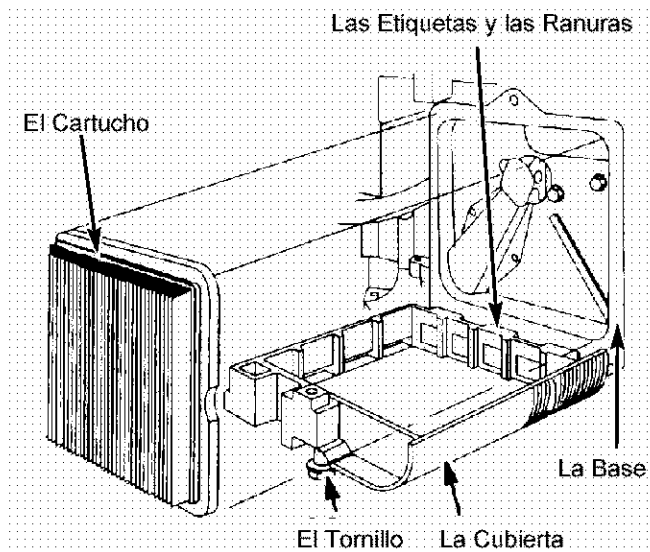
Su motor no funcionará adecuadamente y puede dañarse si usted lo hace funcionar con un depurador de aire sucio.

Suministre servicio al depurador de aire una vez cada 100 horas de operación o una vez por año, lo que suceda primero.

Suministre servicio más frecuentemente si la unidad funciona bajo condiciones de mucha suciedad o polvo. Los repuestos se encuentran disponibles en su centro de servicio local Sears.

**Para dar servicio al filtro de aire, siga los pasos que se detallan a continuación:**

1. Afloje el tornillo y quite la cubierta.



2. Remueva cuidadosamente el cartucho.
3. Para limpiar el cartucho, golpee ligeramente su costado de papel plegado sobre una superficie firme.
4. Reinstale el juego de cartucho nuevo o limpio debajo de la cubierta.
5. Inserte las lengüetas de la cubierta en las ranuras que se encuentran en el fondo de la base.
6. Coloque la cubierta en su lugar y apriete el tornillo firmemente a la base.

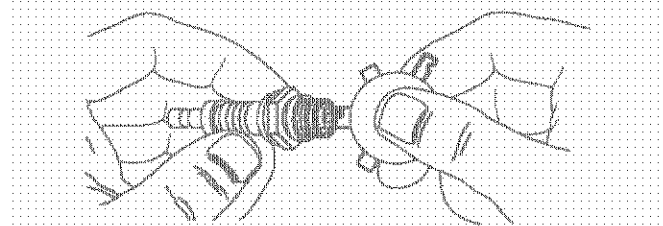
**NOTA:** Usted puede comprar los elementos del filtro de aire nuevos llamando al **1-800-366-PART**.

## Remplace la Bujía

Remplace la bujía anualmente o cada 100 horas de operación.

<b>⚠ ADVERTENCIA</b>	
	Chispear involuntario puede tener como resultado el fuego o el golpe eléctrico.
<b>CUANDO AJUSTE O HAGA REPARACIONES A SU MÁQUINA LAVADORA DE PRESIÓN</b>	
• Siempre desconecte el alambre de la bujía y colóquelo donde no pueda entrar en contacto con la bujía.	

1. Limpie el área alrededor de la bujía y retírela.
2. Retire y revise la bujía.
3. Para el uso del reemplazo o el bujía uniforme de la chispa de reóstato, el Champion RC12YC o el bujía largo de la chispa de platino de vida, el Champion RC12PYP.
4. Revise la separación del electrodo con un calibre de alambre y ajuste la separación a 0.020 pulgadas (0.50 mm), si es necesario.



5. Instale la bujía y apriete la firmemente.

**NOTA:** Puede adquirir nuevos bujía al número telefónico **1-800-366-PART**.

## Carburador

Si usted cree que su carburador necesita ajuste, visite su centro de servicio Sears más cercano. El funcionamiento del motor podría resultar afectado a altitudes por encima de 7000 pies. Para operaciones a elevaciones mayores, póngase en contacto con el centro de servicio Sears más cercano.

## Servicio del Apagachispas

El motor de su unidad no viene equipado de fábrica con un apagachispas. En ciertas áreas, es ilegal operar motores que no tengan apagachispas. Revise las leyes y regulaciones locales. Si necesita apagachispas, lo puede comprar en su centro de servicio Sears más cercano. Para obtener el número de parte llame al **1-800-366-PART**.

Deberá suministrarle servicio al apagachispas cada 50 horas para conservarlo en buenas condiciones de funcionamiento.

Si el motor ha estado funcionando, el silenciador estará bastante caliente. Deje que el silenciador se enfríe para poder darle servicio al apagachispas.

- Retire la pantalla del apagachispas para limpieza e inspección.
- Remplace la pantalla si está dañada.

# ALMACENAMIENTO

## DESPUES DE CADA USO

No deberá haber agua en la unidad por largos períodos de tiempo. Los sedimentos de minerales se pueden depositar en partes de la bomba y "congelar" su funcionamiento.

Lleve a cabo estos procedimientos después de cada uso:

1. Lave el tubo de succión de detergente colocando el filtro en un balde de agua limpia al mismo tiempo que hace funcionar la máquina lavadora a presión en el modo de baja presión. Lave por un minuto o dos minutos.
2. Apague el motor y déjelo enfriar, después retire todas las mangueras.
3. Desconecte el alambre de la bujía.
4. Saque todos los líquidos de la bomba halando la manija de retroceso aproximadamente 6 veces. Esto deberá evacuar la mayoría del líquido de la bomba.
5. Si planea almacenar la unidad por más de 30 días, vea la sección "Almacenamiento Prolongado" en próxima página.
6. Revise la manguera de alta presión para ver si presenta daños. Los cortes en la manguera o el desgaste de la misma pueden ocasionar fugas y pérdida de presión. Si encuentra algún daño, remplace la manguera. NO intente reparar una manguera dañada. Remplace la manguera con la parte Sears genuina.
7. Desconecte manga del fusil del rocío y salida alta de presión en la bomba. Desagüe agua de la manga, del fusil, y de la extensión de boquilla. Use un harapo para quitar la manga.
8. Pase un extremo de la manguera por el orificio del carrete de la manguera. Haga girar el carrete con la manija para enrollar la manguera en el carrete. Coloque el otro extremo de la manguera en la presilla ubicada en el costado de la unidad.
9. Vuelva a conectar el alambre a la bujía.
10. Almacene la unidad en una área limpia y seca.



**¡ADVERTENCIA!** NUNCA almacene el motor con combustible en el tanque en recintos cerrados o en áreas encerradas con poca ventilación donde los vapores puedan entrar en contacto con llamas abiertas, chispas o luces de piloto.

## ALMACENAMIENTO PARA INVIERNO

### PRECAUCIÓN

Usted deberá proteger su unidad de las temperaturas de congelamiento.

- Si no lo hace, dañará permanentemente la bomba y la unidad no podrá funcionar.
- La garantía no cubre el daño de la unidad ocasionado por congelamiento.

### Para proteger la unidad de las temperaturas de congelamiento:

1. Lave el tubo de succión de detergente colocando el filtro en un balde de agua limpia al mismo tiempo que hace funcionar la máquina lavadora a presión en el modo de baja presión. Lave por un minuto o dos minutos.
2. Saque todos los líquidos de la bomba halando la manija de retroceso aproximadamente 6 veces. Esto deberá evacuar la mayoría del líquido de la bomba.
3. Utilice un protector de bomba, disponible en Sears con el número de catálogo 71-74403, para cuidar la bomba. Aquél protege a la unidad contra el congelamiento y lubrica tanto los pistones como los empaques.
4. Si el protector de bomba no está disponible, conecte un tramo de 3 pies de manguera de jardín a la entrada de agua. Vierta anticongelante RV (anticongelante sin alcohol) en la manguera. Jale la manija de arranque dos veces. Desconecte después la manguera de 3 pies.

## ALMACENAMIENTO PROLONGADO

Si usted no planea usar la máquina lavadora a presión por más de 30 días, deberá preparar el motor para un almacenamiento prolongado.

Es importante evitar la formación de depósitos de goma en las partes esenciales del sistema del combustible tales como carburador, filtro del combustible, manguera o tanque del combustible durante el almacenamiento. También, la experiencia indica que los combustibles con mezclas de alcohol (llamados gasohol, etanol o metanol) pueden atraer la humedad, lo que lleva a la separación y formación de ácidos durante el almacenamiento. La gasolina ácida puede dañar el sistema del combustible de un motor durante el almacenamiento.

## Proteja el Sistema de Combustible

### Aditivo para Combustible:

Si va a usar aditivo para combustible, llene el tanque de combustible con gasolina fresca. Si el tanque está parcialmente lleno, el aire del tanque va a promover el deterioro del combustible durante el almacenamiento. El motor y el combustible pueden ser almacenados hasta 24 meses con aditivo.

- Deposite el aditivo para combustible siguiendo las instrucciones del fabricante.
- Asegúrese de tener conectado y ABIERTO el suministro de agua a la entrada de la bomba.
- Ponga en funcionamiento el motor en un área descubierta por 10 minutos para asegurarse de que la gasolina tratada ha reemplazado la gasolina no tratada del carburador.

Si no usa aditivo para combustible, retire todo el combustible del tanque y haga funcionar el motor hasta que se detenga por falta de combustible.

## Cambio de Aceite

Con el motor todavía caliente, drene el aceite de la caja del cigüeñal. Vuelva a llenarlo con el grado de aceite recomendado. Vea "Cambio de Aceite" en la página 41.

## Aceite el Diámetro Interior del Cilindro

- Retire la bujía. Rocíe aproximadamente 1 onza de aceite limpio para motor dentro del cilindro. Cubra el orificio de la bujía con un trapo. Hale la manija de retroceso lentamente para distribuir el aceite. Evite el rociado del orificio de la bujía.
- Instale la bujía. NO conecte el alambre de la bujía.

## Protección de la Bomba

A protege al salvador de bomba de uso de bomba Sears a previene congelar el daño y lubrica émbolos y sellos.

**NOTA:** El protector de la bomba, número de ítem Sears número 71-74403, están disponible sólo como un accesorio opcional. NO es incluido con la arandela de la presión.

### PRECAUCIÓN

Usted deberá proteger su unidad de las temperaturas de congelamiento.

- Si no lo hace, dañará permanentemente la bomba y la unidad no podrá funcionar.
- La garantía no cubre el daño de la unidad ocasionado por congelamiento.

### Al uso el salvador de bomba:



### PRECAUCIÓN

Lea y siga todo advierte y las advertencias en el PumpSaver pueden marcar.

- Siempre protección de ojo de uso cuando se usa PumpSaver.

1. Conecte manga en el salvador de bomba puede a la cala de la bomba.
2. El empujón en puede la cima a distribuye bomba salvador.
3. Cuándo líquido de salvador de bomba comienza a la salida de la bomba de la salida, la bomba es protegida.
4. Quite bomba salvador de la cala de bomba.

## OTROS

- NO almacene gasolina de una estación a otra.
- Si es posible, almacene su unidad en un recinto cerrado y cúbrala para protegerla del polvo y la suciedad.

**ASEGURESE DE VACIAR EL TANQUE DEL COMBUSTIBLE.**

**IMPORTANTE:** NUNCA cubra su máquina lavadora a presión cuando el motor y el área del escape estén calientes.

# REPARACION DE DAÑOS

Problema	Causa	Solución
La bomba presenta los siguientes problemas: no produce presión o produce una presión errada, traqueteo, pérdida de presión, bajo volumen de agua.	<ol style="list-style-type: none"> <li>1. Está usando la puntas de rocío de baja presión (negra).</li> <li>2. La entrada de agua está bloqueada.</li> <li>3. Suministro de agua inadecuado.</li> <li>4. La manguera de entrada está doblada o presenta fugas.</li> <li>5. El colador de la manguera de la entrada de agua está tapado.</li> <li>6. El suministro de agua está por encima de los 100°F.</li> <li>7. La manguera de alta presión está bloqueada o presenta fugas.</li> <li>8. La pistola presenta fugas.</li> <li>9. La puntas de rocío está obstruida.</li> <li>10. Bomba defectuosa.</li> </ol>	<ol style="list-style-type: none"> <li>1. Cambie la puntas de rocío a una de las tres puntas de rocío de alta presión.</li> <li>2. Limpie la entrada.</li> <li>3. Proporcione flujo de agua adecuado.</li> <li>4. Estire la manguera de entrada, coloque un parche en la fuga.</li> <li>5. Revise y limpie el colador de la manguera de entrada.</li> <li>6. Proporcione suministro de agua más fría.</li> <li>7. Retire las obstrucciones de la manguera de salida.</li> <li>8. Remplace la pistola.</li> <li>9. Limpie la puntas de rocío.</li> <li>10. Póngase en contacto con el centro de servicio Sears.</li> </ol>
El detergente no se mezcla con el rociado.	<ol style="list-style-type: none"> <li>1. El tubo de succión de detergente no está sumergido.</li> <li>2. El filtro de químicos está tapado.</li> <li>3. Sucio en el filtro de la línea.</li> <li>4. Está usando la puntas de rocío de alta presión.</li> </ol>	<ol style="list-style-type: none"> <li>1. Coloque el tubo de succión de detergente en el detergente.</li> <li>2. Limpie o remplace el filtro/tubo de succión de detergente.</li> <li>3. Vea "Cheque En el Filtro de la Línea".</li> <li>4. Use la puntas de rocío de baja presión (negra).</li> </ol>
El motor funciona bien cuando no tiene cargas, pero funciona "mal" cuando se conecta una carga.	La velocidad del motor es demasiado lenta.	Mueva el control de la válvula de regulación a la posición FAST (RAPIDO). Si el motor continúa funcionando mal, póngase en contacto con el centro de servicio Sears.
El motor no arranca; o arranca y funciona mal.	<ol style="list-style-type: none"> <li>1. Bajo nivel de aceite.</li> <li>2. Depurador de aire sucio.</li> <li>3. Sin gasolina.</li> <li>4. Gasolina vieja.</li> <li>5. El alambre de la bujía no está conectado a la bujía.</li> <li>6. Bujía mala.</li> <li>7. Agua en la gasolina.</li> <li>8. Estrangulación excesiva o inundado.</li> <li>9. Mezcla de combustible demasiado rica.</li> <li>10. Válvula de entrada trabada en la posición abierta o cerrada.</li> <li>11. El motor ha perdido compresión.</li> </ol>	<ol style="list-style-type: none"> <li>1. Llene la caja del cigüeñal hasta el nivel correcto.</li> <li>2. Limpie o remplace el depurador de aire.</li> <li>3. Llene el tanque de combustible.</li> <li>4. Drene el tanque de gasolina; llénelo con combustible fresco.</li> <li>5. Conecte el alambre a la bujía.</li> <li>6. Remplace la bujía.</li> <li>7. Drene el tanque de gasolina; llénelo con combustible fresco.</li> <li>8. Abra el cebador por completo y haga girar el motor.</li> <li>9. Póngase en contacto con el centro de servicio Sears.</li> <li>10. Póngase en contacto con el centro de servicio Sears.</li> <li>11. Póngase en contacto con el centro de servicio Sears.</li> </ol>
El motor se apaga durante la operación.	<ol style="list-style-type: none"> <li>1. Sin gasolina.</li> <li>2. Bajo nivel de aceite.</li> </ol>	<ol style="list-style-type: none"> <li>1. Llene el tanque de combustible.</li> <li>2. Llene la caja del cigüeñal hasta el nivel correcto.</li> </ol>
El motor no tiene fuerza.	Filtro de aire sucio.	Remplace el filtro de aire.
El motor intenta estabilizarse o su funcionamiento no es constante.	Cebador abierto demasiado rápido.	Mueva el cebador a la posición intermedia hasta que el motor funcione normalmente.

# GARANTÍA DEL SISTEMA DE CONTROL DE EMISIONES

Sears, Roebuck and Co., U.S.A. (Sears), California Air Resources Board (Consejo de Recursos sobre el Aire de California, CARB, por sus siglas en inglés) y United States Environmental Protection Agency (Agencia de Protección Ambiental de EE.UU., EPA, por sus siglas en inglés).

## Declaración de garantía del sistema de control de emisiones (derechos y obligaciones del propietario para la garantía contra defectos)

LA COBERTURA DE LA GARANTÍA DE CONTROL DE EMISIONES SE APLICA A LOS MOTORES CERTIFICADOS ADQUIRIDOS EN CALIFORNIA EN 1995 Y POSTERIORMENTE, QUE SE UTILICEN EN CALIFORNIA, Y A MOTORES CERTIFICADOS MODELO 1997 Y POSTERIORES QUE SEAN ADQUIRIDOS Y UTILIZADOS EN OTRA REGIÓN DE ESTADOS UNIDOS (Y A PARTIR DEL 1º DE ENERO DE 2001, EN CANADÁ).

### Declaración de garantía sobre el control de emisiones de la EPA de EE.UU. y California.

El California Air Resources Board (CARB), la EPA de EE.UU. y Sears se complacen en explicar la Garantía para el sistema de control de emisiones para motores pequeños para exteriores (SORE) modelos año 2000 y posteriores. En California, los nuevos motores pequeños para exteriores se deben diseñar, construir y equipar para cumplir con las estrictas normas del estado contra el smog. En otras regiones de Estados Unidos, los nuevos motores para interiores de ignición por chispa certificados para modelos año 1997 y posteriores deben cumplir con normas similares establecidas por la EPA de EE.UU. Sears debe garantizar el sistema de control de emisiones de su motor para los periodos indicados a continuación, siempre y cuando no se haya abusado, descuidado o dado mantenimiento incorrecto al motor pequeño para exteriores.

Su sistema de control de emisiones podrá incluir partes como el carburador o el sistema de inyección de combustible, el sistema de ignición y el convertidor catalítico. También se pueden incluir mangueras, correas, conectores y otros componentes relacionados con las emisiones.

Cuando exista una condición que pueda ser cubierta por la garantía, Sears reparará el motor pequeño para exteriores sin costo alguno, incluyendo el diagnóstico, las partes de repuesto y la mano de obra.

### Cobertura de la garantía de Sears contra defectos en el control de emisiones

Los motores pequeños para exteriores modelos 1995 y posteriores tienen una garantía de dos años. Si alguna parte de su motor relacionada con las emisiones está defectuosa, Sears la reparará o sustituirá.

### Responsabilidades del propietario para la garantía

Como propietario del motor pequeño para exteriores, usted es responsable de realizar las actividades de mantenimiento requeridas que se indican en este manual del propietario. Sears recomienda que conserve todos los recibos que cubran el mantenimiento de su motor pequeño para exteriores, pero Sears no puede negar la garantía solamente por la falta de recibos ni por su imposibilidad de garantizar la realización de todas las actividades de mantenimiento programadas.

Como propietario del motor pequeño para exteriores, usted siempre debe tener en cuenta que Sears podrá negar la cobertura de la garantía si su motor pequeño para exteriores o una parte del mismo presenta fallas debido a abuso, descuido, mantenimiento incorrecto o modificaciones no aprobadas.

Usted es responsable de presentar su motor pequeño para exteriores a un Centro de servicio Sears aprobado tan pronto como se presente el problema. Las reparaciones bajo garantía deberán concluirse en un período razonable, que no excederá de 30 días.

Si tiene alguna pregunta con respecto a sus derechos y responsabilidades para la garantía, póngase en contacto con un representante de servicio Sears al 1-800-469-4663.

### Disposiciones de la garantía de Sears contra defectos en el control de emisiones

Las siguientes son disposiciones específicas relacionadas con la cobertura de la garantía contra defectos en el control de emisiones.

#### 1. Partes garantizadas

La cobertura bajo esta garantía incluye solamente aquellas partes que se enumeran a continuación (las partes del sistema de control

de emisiones) en la medida que dichas partes hayan estado presentes en el motor adquirido.

- a. Sistema de medición de combustible.  
Sistema de enriquecimiento para arranque en frío.  
Carburador y partes internas.  
Bomba de combustible.
- b. Sistema de inducción de aire.  
Filtro de aire.  
Colector de entrada.
- c. Sistema de ignición.  
Bujías.  
Sistema de ignición por magneto.
- d. Sistema catalizador.  
Convertidor catalítico.  
Colector de escape.  
Sistema de inyección de aire o válvula por impulsos.
- e. Distintos elementos utilizados en los sistemas anteriores.  
Válvulas e interruptores de vacío, temperatura, posición y de detección de tiempo.  
Conectores y conjuntos.

#### 2. Vigencia de la cobertura

Sears garantiza al propietario inicial y a cada propietario subsiguiente que las partes garantizadas estarán libres de defectos en material y en mano de obra, que ocasionen fallas de las partes garantizadas durante un período de dos años a partir de la fecha en que el motor sea entregado al comprador minorista.

#### 3. NO habrá cargos

La reparación o reemplazo de cualquier parte garantizada se realizará sin cargo alguno para el propietario, incluyendo la mano de obra de diagnóstico que derive en la determinación de que una parte garantizada está defectuosa, si la labor de diagnóstico se realiza en un Centro de servicio Sears aprobado.

#### 4. Reclamos y exclusiones de cobertura

Los reclamos vinculados con la garantía se presentarán conforme a las disposiciones de la Póliza de garantía de Sears. La cobertura de la garantía se excluirá para aquellas fallas de partes garantizadas que no sean partes originales de Sears o debido a abuso, descuido o mantenimiento incorrecto, según se establece en la Póliza de garantía de motores de Sears. Sears no es responsable por la cobertura de fallas de partes garantizadas ocasionadas por el uso de partes adicionales, no originales o modificadas.

#### 5. Mantenimiento

Cualquier parte garantizada cuyo reemplazo no esté programado como mantenimiento requerido o que esté programada únicamente para inspección frecuente con el fin de "reparar o reemplazar conforme sea necesario", estará garantizada en cuanto a defectos por el período de la garantía. Cualquier parte garantizada cuyo reemplazo esté programado como mantenimiento requerido tendrá solamente una garantía contra defectos únicamente por el período hasta el primer reemplazo programado para esa parte. Se podrá utilizar cualquier parte de repuesto que tenga un rendimiento y durabilidad equivalentes, al realizar cualquier actividad de mantenimiento o reparación. El propietario es responsable de realizar todo el mantenimiento requerido, según se define en este manual del propietario.

#### 6. Cobertura consiguiente

La cobertura bajo la presente se ampliará a la falla de cualquier componente del motor provocada por un desperfecto en cualquier parte garantizada que siga gozando de la cobertura de la garantía.

En EE.UU. y Canadá contamos con una línea de emergencia las 24 horas (1-800-469-4663), que ofrece un menú de mensajes pregrabados con información sobre mantenimiento de productos.

# NOTAS

# Get it fixed, at your home or ours!

## Your Home

For repair – **in your home** – of all major brand appliances, lawn and garden equipment, or heating and cooling systems, **no matter who made it, no matter who sold it!**

For the replacement parts, accessories and owner's manuals that you need to do-it-yourself.

For Sears professional installation of home appliances and items like garage door openers and water heaters.

**1-800-4-MY-HOME®** Anytime, day or night  
(1-800-469-4663) (U.S.A. and Canada)  
[www.sears.com](http://www.sears.com) [www.sears.ca](http://www.sears.ca)

## Our Home

For repair of carry-in products like vacuums, lawn equipment, and electronics, call or go on-line for the nearest **Sears Parts and Repair Center.**

**1-800-488-1222** Anytime, day or night (U.S.A. only)  
[www.sears.com](http://www.sears.com)

To purchase a protection agreement on a product serviced by Sears:

**1-800-827-6655** (U.S.A.) **1-800-361-6665** (Canada)

Para pedir servicio de reparación a domicilio, y para ordenar piezas:

**1-888-SU-HOGAR<sup>SM</sup>**  
(1-888-784-6427)

Au Canada pour service en français:

**1-800-LE-FOYER<sup>MC</sup>**  
(1-800-533-6937)  
[www.sears.ca](http://www.sears.ca)

# SEARS

© Sears, Roebuck and Co.

® Registered Trademark / ™ Trademark / <sup>SM</sup> Service Mark of Sears, Roebuck and Co.

® Marca Registrada / ™ Marca de Fábrica / <sup>SM</sup> Marca de Servicio de Sears, Roebuck and Co.

<sup>MC</sup> Marque de commerce / <sup>MD</sup> Marque déposée de Sears, Roebuck and Co.



## Free Manuals Download Website

<http://myh66.com>

<http://usermanuals.us>

<http://www.somanuals.com>

<http://www.4manuals.cc>

<http://www.manual-lib.com>

<http://www.404manual.com>

<http://www.luxmanual.com>

<http://aubethermostatmanual.com>

Golf course search by state

<http://golfingnear.com>

Email search by domain

<http://emailbydomain.com>

Auto manuals search

<http://auto.somanuals.com>

TV manuals search

<http://tv.somanuals.com>