

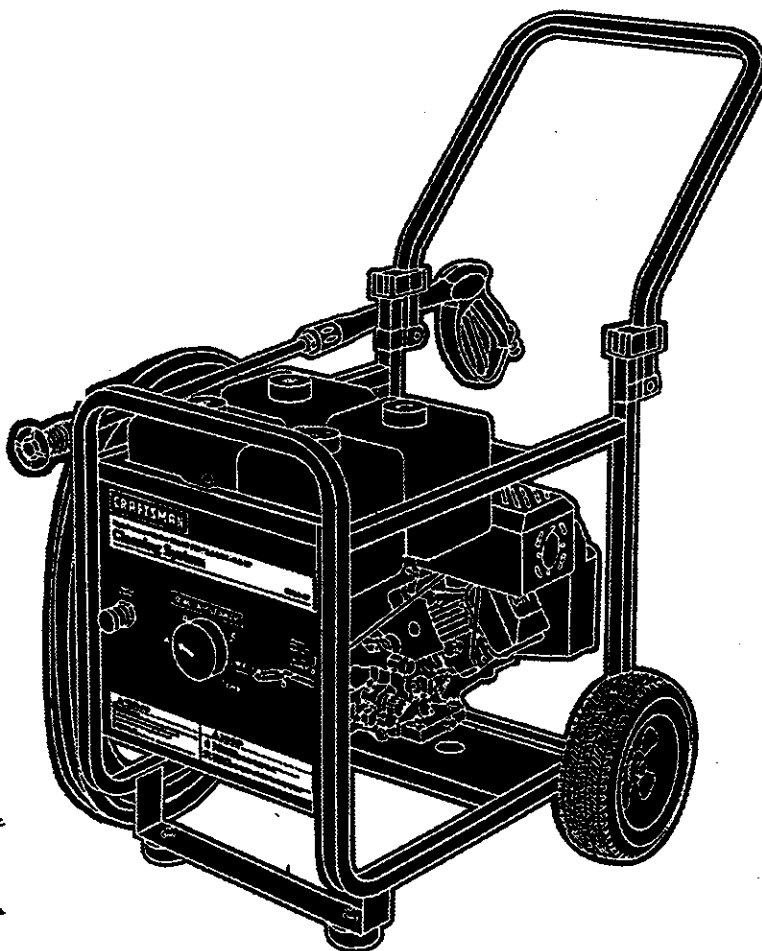
Operators Manual

CRAFTSMAN®

6.5 Horsepower
2500 PSI
2.5 GPM

HIGH PRESSURE WASHER CLEANING SYSTEM

Model No. 580.768040



Pressure Washer
Customer Helpline
1-800-222-3136

HOURS: Mon. - Fri. 8 a.m. to 5 p.m. (CT)

CAUTION:
Before using this product, read this manual and follow all its Safety Rules and Operating Instructions.

Sears, Roebuck and Co., Hoffman Estates, IL 60179

Visit our Craftsman website: www.sears.com/craftsman

Part No. B3610 Draft 2 (4/5/99) Printed in the U.S.A.

- Safety
- Assembly
- Operation
- Maintenance
- Parts

TABLE OF CONTENTS

| | | | |
|---------------------------|-------|---|-----------|
| Warranty | 2 | Storage | 14 |
| Safety Instructions | 2-3 | Troubleshooting | 15 |
| Assembly | 4 | Replacements parts | 17-25 |
| Operation | 5-9 | Emissions Warranty | 26-27 |
| Maintenance | 10-13 | How to order parts and request service | Back page |

WARRANTY

LIMITED ONE YEAR WARRANTY ON CRAFTSMAN CLEANING SYSTEM

For one year from the date of purchase, when this Craftsman Cleaning System is maintained and operated according to the instructions in the owner's manual, Sears will repair, free of charge, any defect in material and workmanship.

If this washer is used for commercial purposes, this warranty applies for only 90 days from the date of purchase. If this Cleaning System is used for rental purposes, this warranty applies for only 30 days after date of purchase.

This warranty does not cover:

- Expendable items such as spark plugs or air filters, which become worn during normal use.
- Repairs necessary because of operator abuse or negligence, including damage resulting from no water being supplied to pump or failure to maintain the equipment according to the instructions contained in the owner's manual.

WARRANTY SERVICE IS AVAILABLE BY RETURNING THE HIGH CLEANING SYSTEM TO THE NEAREST SEARS service center or dealer IN THE UNITED STATES.

This warranty gives you specific legal rights and you may also have other rights, which vary from state to state.

Sears, Roebuck and Co., Dept. 817WA, Hoffman Estates, IL 60179

SAFETY INSTRUCTIONS

WARNING:

The engine exhaust from this product contains chemicals known to the State of California to cause cancer, birth defects, or other reproductive harm.



CAUTION! Before using this product, read this manual and follow all Safety Rules and Operating Instructions.



DANGER! When transporting, setting up, adjusting or making repairs to your cleaning system, **always** disconnect the spark plug wire and place it where it cannot contact the spark plug to prevent accidental starting.

- Engine exhaust gases contain **DEADLY** carbon monoxide gas. This dangerous gas, if breathed in sufficient concentrations, can cause unconsciousness or even death. Operate this equipment only in the open air where adequate ventilation is available.

- Gasoline is highly **FLAMMABLE** and its vapors are **EXPLOSIVE**. Do not permit smoking, open flames, sparks or heat in the vicinity while handling gasoline. Avoid spilling gasoline on a hot engine. Allow unit to cool for 2 minutes before refueling. Comply with all laws regulating storage and handling of gasoline.
- Locate this cleaning system in areas away from combustible materials, combustible fumes or dust.
- The high pressure equipment is designed to be used with Sears authorized parts only. If you use this equipment with parts that do not comply with minimum specifications, the user assumes all risks and liabilities.
- Some chemicals or detergents may be harmful if inhaled or ingested, causing severe nausea, fainting or poisoning. The harmful elements may cause property damage or severe injury.
- Do not allow **CHILDREN** to operate the cleaning system at any time.

- Operate engine only at governed speed. Running the engine at excessive speeds increases the hazard of personal injury. Do not tamper with parts which may increase or decrease the governed speed.
- Do not wear loose clothing, jewelry or anything that may be caught in the starter or other rotating parts.
- Before starting the cleaning system in cold weather, check all parts of the equipment and be sure ice has not formed there.
- Units with broken or missing parts, or without protective housing or covers should NEVER be operated.
- The muffler and dual element air cleaner must be installed and in good condition before operating the cleaning system. These components act as spark arrestors if the engine backfires.
- Check the fuel system for leaks or signs of deterioration such as chafed or spongy hose, loose or missing clamps or damaged tank or cap. Correct all defects before operating the cleaning system.
- Do not spray flammable liquids.
- Never allow any part of the body to come in contact with the fluid stream. DO NOT come in contact with a fluid stream created by a leak in the high pressure hose.
- High pressure streams of fluid this equipment produces can pierce skin and its underlying tissues, leading to serious injury and possible amputation.
- Never aim the gun at people, animals or plants.
- High pressure spray can cause paint chips or other particles to become airborne and fly at high speeds.
- Always wear eye protection when you use this equipment or when you are in the vicinity where the equipment is in use.
- Operate the pressure at no more than the PSI fluid pressure rated for your cleaning system.
- Never move the machine by pulling on the high pressure hose. Use the handle provided on the top of the unit.
- Always be certain the spray gun, nozzles and accessories are correctly attached.
- Never use a spray gun which does not have a trigger lock or trigger guard in place and in working order.
- Use a respirator or mask whenever there is a chance that vapors may be inhaled. Read all instructions with the mask so you are certain the mask will provide the necessary protection against inhaling harmful vapors.
- High pressure spray may damage fragile items including glass. Do not point spray gun at glass when in the jet spray mode.
- Keep the hose connected to machine or the spray gun while the system is pressurized. Disconnecting the hose while the unit is pressurized is dangerous.
- Hold the spray gun firmly in your hand before you start the unit. Failure to do so could result in an injury from a whipping spray gun. Do not leave the spray gun unattended while the machine is running.
- The cleaning area should have adequate slopes and drainage to reduce the possibility of a fall due to slippery surfaces.
- Keep water spray away from electric wiring or fatal electric shock may result.
- Do not secure trigger gun in the pull-back (open) position.
- Do not by-pass any safety device on this machine.
- The muffler and engine heat up during operation and remain hot immediately after shutting it down. Avoid contact with a hot muffler or engine or you could be severely burned.
- Operate and store this unit on a stable surface.
- Always store cleaning system with the Dial-a-Cleaner™ knob in the OFF position.
- High pressure hose can develop leaks from wear, kinking, abuse, etc. Water spraying from a leak is capable of injecting material into skin. Inspect hose each time before using it. Check all hoses for cuts, leaks, abrasions or bulging of cover, or damage or movement of couplings. If any of these conditions exist, replace hose immediately. Never repair high pressure hose. Replace it with another hose that meets minimum pressure rating of your cleaning system.



LOOK FOR THIS SYMBOL TO POINT OUT IMPORTANT SAFETY PRECAUTIONS. IT MEANS "ATTENTION!!! BECOME ALERT!!! YOUR SAFETY IS INVOLVED."

ASSEMBLY

CARTON CONTENTS

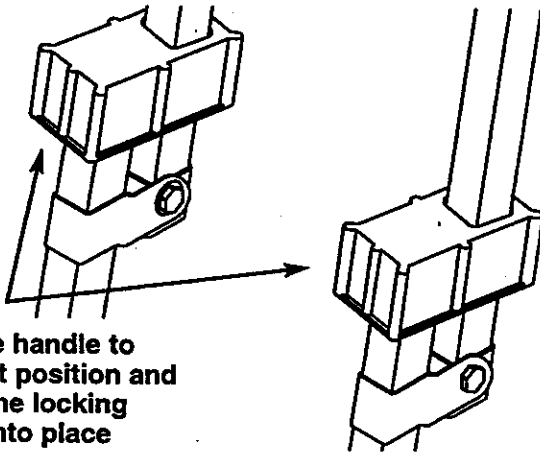
The following parts are shipped loose with your cleaning system:

- Main Unit — Cleaning system with wheels, chemical tanks, guide handle.
- High Pressure Hose (already connected to pump)
- Parts Box (which includes items listed below)
 - Spray Gun
 - Wand Extension with Hi/Lo Adjustable Nozzle
 - Engine Oil
 - Three-pack of chemical concentrates
 - Manual Bag (which includes the items listed below)
 - Owner's Manual
 - Nozzle Cleaner Kit
 - "O"-Ring Kit
 - Tank Labels

Become familiar with each piece before assembling the cleaning system. Check all contents against the illustration on Page 5. If any parts are missing or damaged, call the Pressure Washer Helpline at 1-800-222-3136.

TO REMOVE CLEANING SYSTEM FROM CARTON

- Remove loose parts and parts box included with your cleaning system.
- Slice two corners at guide handle end of carton from top to bottom so the panel can be folded down flat.
- Raise guide handle, secure in place.

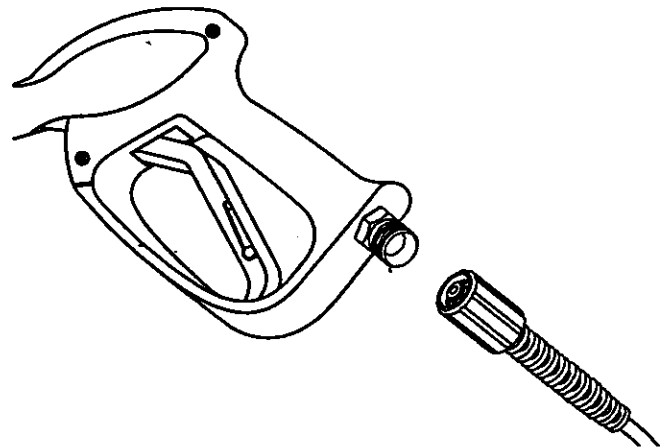


- Roll the cleaning system out the open end of the carton.
- Check carton for additional loose parts.

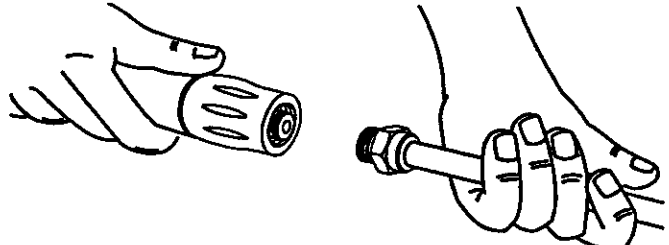
HOW TO SET UP YOUR CLEANING SYSTEM

For the most part, your Craftsman High Pressure Cleaning System has been assembled at the factory. You must, however, assemble the spray gun and attach it to the high pressure hose.

- Cut the tie wraps on the high pressure hose and connect high pressure hose to gun. Tighten by hand.



- Attach nozzle extension to spray gun.

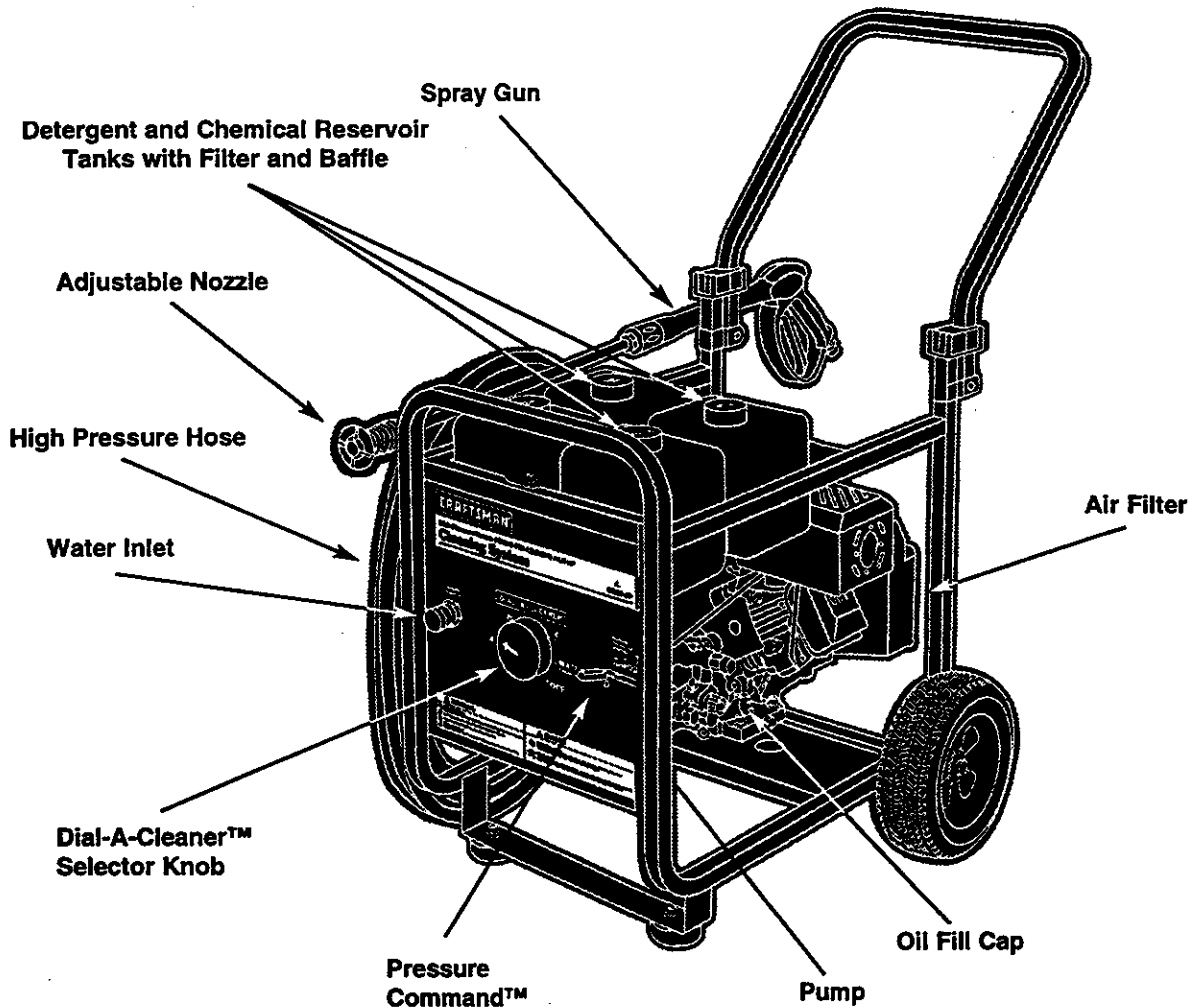


- Place assembled spray gun on holder.

OPERATION

KNOW YOUR HIGH CLEANING SYSTEM

Read this owner's manual and safety rules before operating your cleaning system. Compare the illustrations with your cleaning system to familiarize yourself with the locations of various controls and adjustments.



Adjustable Nozzle – Adjust for high or low pressure; narrow or fan spray.

Air Filter – Dry type filter element limits the amount of dirt and dust that gets in the engine.

Detergent and Chemical Reservoir Tanks with Filter and Baffle – Used to provide detergent or other chemicals to the low pressure water stream.

Dial-A-Cleaner™ Selector Knob – Selects any one of three chemicals or selects the clean water system rinse.

High Pressure Hose – Connect one end to the spray gun. The other should already be connected to the high pressure outlet.

Oil Fill Cap – Fill engine with oil here. See page 8 for oil recommendations.

Pressure Command™ – Sets engine speed to control output water pressure.

Pump – Develops high pressure water .

Spray Gun – Controls the application of water onto cleaning surface with trigger device. Includes safety latch.

Water Inlet – Connection for garden hose.

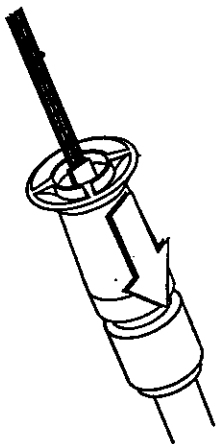
HOW TO USE YOUR CLEANING SYSTEM

Read these instructions and learn how to use your cleaning system before you attempt to start your cleaning system. If you have any problems operating your cleaning system, please call the pressure washer helpline at 1-800-222-3136.

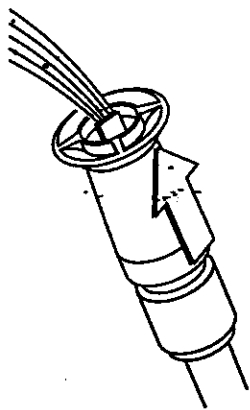
How To Use the Adjustable Nozzle

WARNING! Never adjust spray pattern when spraying. Never put hands in front of the nozzle when adjusting the spray.

- Push the nozzle forward for low pressure. Pull the nozzle backward until it "snaps" into place to achieve high pressure.

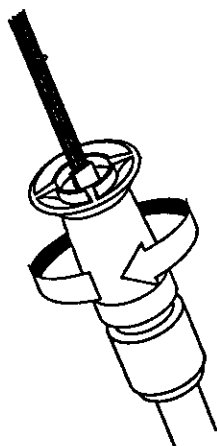


Pull nozzle backward for high pressure.

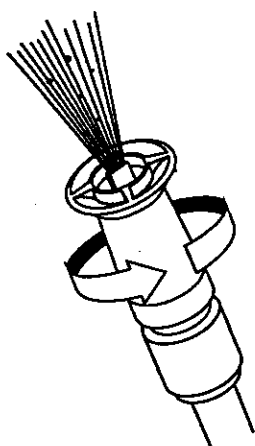


Push nozzle forward for low pressure.

- Twisting the nozzle adjusts the spray pattern from a narrow to a "fan" pattern.



Twist nozzle clockwise for narrow spray.



Twist nozzle counterclockwise for "fan" pattern.

- For most effective cleaning, keep spray nozzle between 8 to 24 inches away from cleaning surface.
- Damage to the surface may occur if you get spray nozzle too close to it.

Cleaning With The Adjustable Nozzle and Applying Chemical

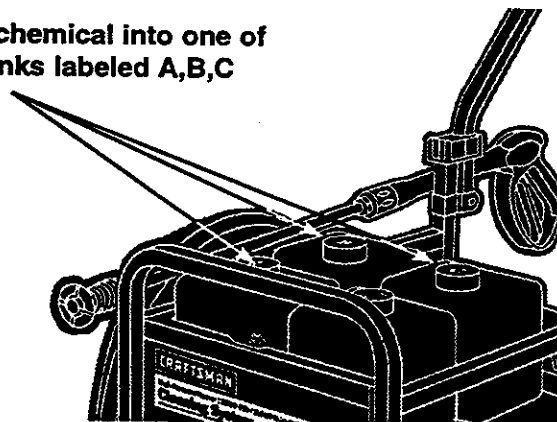
IMPORTANT: Use soaps designed specifically for pressure washer cleaning systems. Household detergents could damage the pump.

WARNING! You must attach all hoses before you start the engine. Starting the engine without all the hoses connected and without the water turned ON will damage the pump.

Up to three (3) different solutions can be carried on the cleaning system at one time. To apply detergent follow these steps:

- Dilution is necessary when using the supplied chemical packets. Simply snip one corner of the plastic pouch, pour the chemical into the tank, then fill the tank with clean water. Label tanks with the provided tank labels.

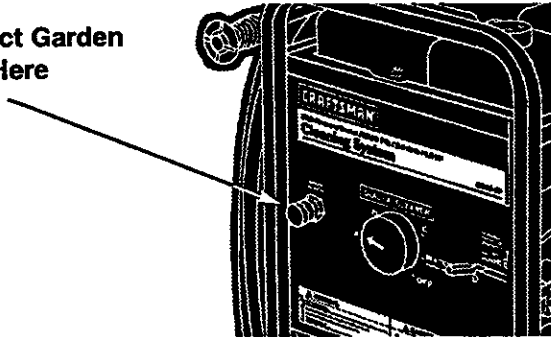
Pour chemical into one of the tanks labeled A,B,C



- If using another chemical designed for use with pressure washers, prepare the chemical solution as required by the chemical manufacturer. Fill chemical reservoir(s) with the prepared solution as needed.
- Rotate the Dial-A-Cleaner™ selector knob to the letter corresponding to the desired reservoir.
- Push the adjustable nozzle forward to low pressure mode. **Detergent cannot be applied with nozzle in high pressure position.**
- Review the use of the adjustable nozzle.

- Connect garden hose to water inlet (see TO START CLEANING SYSTEM on page 8), check that high pressure hose is connected to spray gun and pump (see ASSEMBLY on page 4), and start engine.

Connect Garden Hose Here



CAUTION! Before starting your Cleaning System, make sure you have read and followed the instructions in the sections "Before Starting the Cleaning System" on page 8 and "To Start the Cleaning System" on page 8.

WARNING! Be extremely careful if you must use the cleaning system from a ladder, scaffolding or any other relatively unstable location. When you press the trigger, the recoil from the initial spray could force you to fall, or if you are too close to the cleaning surface, high pressure could force you off a climbing apparatus.

- Start at lower portion of area to be washed and work upward, using long, even overlapping strokes.
- Allow detergent to 'soak in' (between 3-5 minutes) before washing and rinsing. Reapply as needed to prevent surface from drying.

Wash and Rinse Surface

This Craftsman Cleaning System permits regulation of output water pressure by varying the engine speed. The Pressure Command™ found on the front panel may be set, as follows:

| Pressure | Low | to | High |
|-------------|---------------------------|------------------------------|-----------------------------|
| Duty | Light | Medium | Heavy |
| Application | Auto Boat Furniture | Concrete Driveway Deck | Paint removal Degreasing |

After you have applied detergent, scour the surface with the high pressure water stream and then rinse it clean, as follows:

- Pull adjustable nozzle backward until it snaps to get high pressure mode. Chemical will not flow when in the high pressure mode.
- Adjust Pressure Command™ control to obtain desired water pressure.
- Expand the spray pattern for a more gentle rinsing action. Start at top of area to be rinsed, working down with same action as for cleaning.

CAUTION! Test a small area of the surface to be cleaned. Make sure there is no damage caused by the high pressure spray.

RINSE SYSTEM AFTER EVERY USE

It is imperative that the chemical selector system be rinsed after each use to prevent clogging or leaks:

- Fill the System Rinse reservoir with clean water.
- Before disconnecting the water supply, start your cleaning system.

CAUTION! Before starting your Cleaning System, make sure you have read and followed the instructions in the sections "Before Starting the Cleaning System" on page 8 and "To Start the Cleaning System" on page 8.

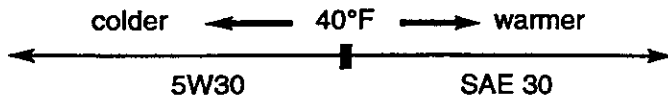
- Push adjustable nozzle forward to get low pressure mode.
- Rotate the Dial-A-Cleaner™ selector knob to the letter corresponding to the System Rinse tank. As clean rinse water is drawn through the system, continue the flow until no detergent foam is observed.
- Rotate the Dial-A-Cleaner™ selector knob to the OFF position.

BEFORE STARTING THE CLEANING SYSTEM

To operate the engine you will need to do the following:

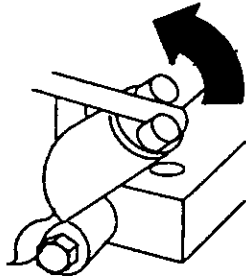
Add Engine Oil

Only use high quality detergent oil rated with API service classification SF, SG or SH. Select the oil's SAE viscosity grade according to your expected operating temperature:

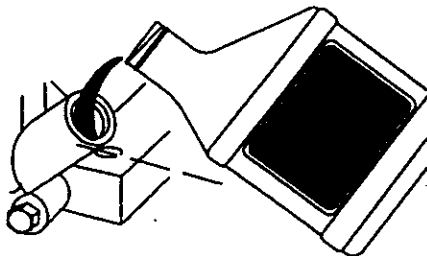


Although multi-viscosity oils (5W30, 10W30, etc.) improve starting in cold weather, these multi-viscosity oils will result in increased oil consumption when used above 40°F. Check your engine oil level more frequently to avoid possible damage from running low on oil.

- Place cleaning system on a level surface
- Clean area around oil fill and remove oil fill cap.




- Pour oil from enclosed bottle into the oil fill opening until oil reaches the point of overflowing. **Do not overfill.**




- Install oil fill cap, hand tighten securely.

Add Gasoline

- Use **regular unleaded** gasoline with the cleaning system engine. Fuel tank capacity is 3 U.S. quarts.

 **DANGER!** Never fill fuel tank indoors. Never fill fuel tank when engine is running or hot. Do not smoke when filling fuel tank.

 **DANGER!** Do not operate or refuel engine with spark plug access hole cover removed. Allow engine to cool 2 minutes before refueling.



WARNING! Do not overfill the fuel tank. Always leave room for expansion.



CAUTION! Experience indicates that alcohol blended fuels (called gasohol or using ethanol or methanol) can attract moisture which leads to separation and formation of acids during storage. Acidic gas can damage the fuel system of an engine while in storage.

To add fuel to engine:

- Clean area around fuel cap, remove cap.
- Add **regular unleaded** gasoline, slowly, to the fuel tank.

Important: Never mix oil with gasoline.

- Install fuel cap and wipe up any spilled gasoline.

TO START THE CLEANING SYSTEM

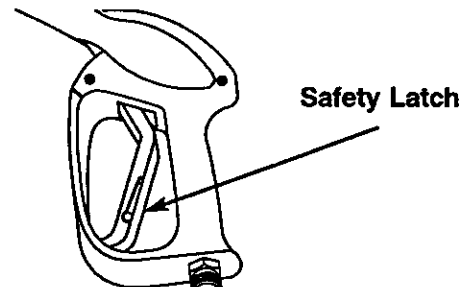
The best way to start your cleaning system engine for the first time is to follow these instructions step-by-step. This starting information also applies whenever you start the engine after you have let the cleaning system sit idle for at least a day.

- Place the cleaning system in an area close enough to an outside water source that can flow at a rate of at least 3.0 gallons per minute. Connect a garden hose to the water spout.
- Check that the high pressure hose is tightly connected to the spray gun and to the pump. See **ASSEMBLY** section on page 4.
- Check inlet screen on the water inlet. If the screen is dirty, clean before attaching a garden hose. If the screen is damaged, **do not** connect to the garden hose. Replace with screen provided in maintenance kit or call 1-800-366-PART to order a replacement inlet screen.
- Attach the the garden hose to the water inlet.
- **Turn on the water.**

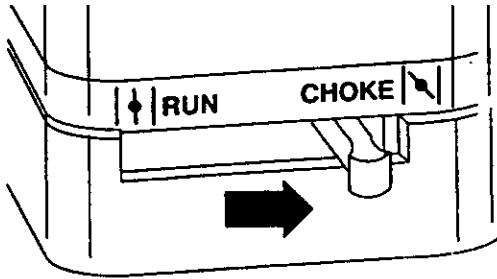


CAUTION! Do not run pump without the water supply connected and turned on. You must follow this caution or the pump will be damaged.

- Remove the adjustable nozzle extension from the spray gun.
- Pull the trigger on the spray gun and hold until a steady stream of water flows from the gun.

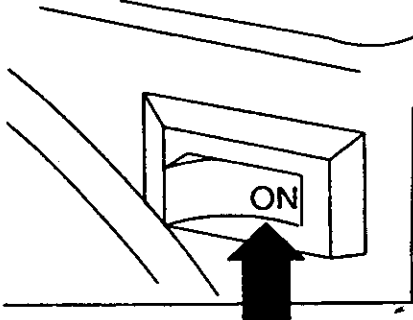


- Engage the safety latch on the spray gun.
- Attach adjustable nozzle extension onto spray gun.
- Move choke lever to “CHOKE” position.

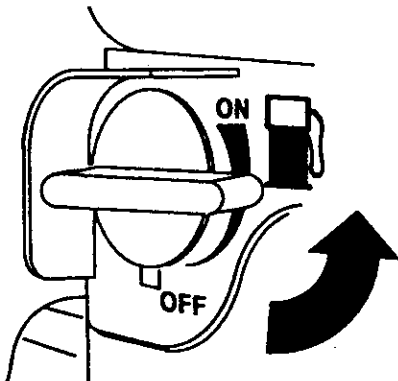


Note: If restarting a warm engine after a short shutdown, move choke lever to “RUN.”

- Move engine control to “ON.”



- Turn fuel shut-off valve to “ON” position.



- Grasp starter handle and pull slowly until you feel some resistance. Then pull cord rapidly to overcome compression, prevent kickback and start the engine. Let rope return to starter **slowly**.

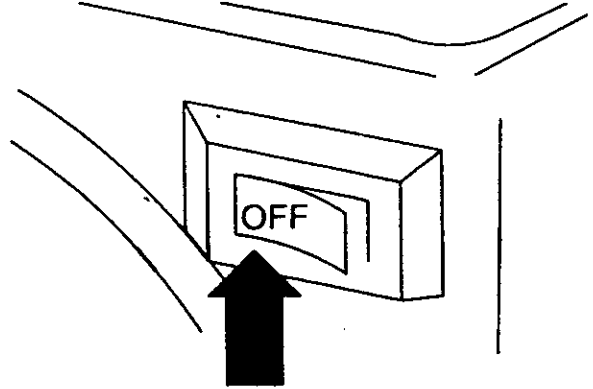
Note: If after 3 pulls the engine fails to start, disengage the spray gun safety latch, squeeze the trigger to relieve water pressure, re-engage the spray gun safety latch, move the choke control to the “Run” position and pull the recoil starter handle rapidly (three pulls maximum).

Note: The Pressure Command™ may be placed in any position during starting or operation.

- When the engine starts, gradually move the choke control from one position to the next until it is in the “Run” position.
- Disengage the spray gun safety latch.

HOW TO STOP YOUR CLEANING SYSTEM

- Move the engine control switch to the “OFF” position.



- Turn fuel shut-off valve to “OFF” position.
- **Simply shutting off the engine will not release pressure in the system.** Squeeze trigger on the spray gun to relieve pressure in the hose.

Note: A small amount of water will squirt out when you release the pressure.

- Rotate the Dial-A-Cleaner™ selector knob to the “OFF” position to prevent chemical leakage.

SIPHONING

DO NOT siphon standing water for your water supply. Contaminated, brackish or dirty water can damage the pump. Connect only to household water supply.

TIPS

Never use the garden hose inlet to siphon detergent or wax.

If you hold the spray nozzle too far away from the object being cleaned, washing will not be as effective.

Always store the cleaning system with the Dial-A-Cleaner™ selector knob to the “OFF” position.

MAINTENANCE

Maintenance Schedule

Follow the hourly or calendar intervals, whichever occurs first.

More frequent service is required when operating in adverse conditions noted below.

| Maintenance Operation | Before Each Use | 25 Hours or Every Season | 50 Hours or Every Season | 100 Hours or Every Season |
|--|-----------------|--------------------------|--------------------------|---------------------------|
| Check/Clean water inlet screen | X* | | | |
| Check high pressure hose | X | | | |
| Check spray gun and assembly for leaks | X | | | |
| Purge pump of air and contaminants | X | | | |
| Check oil level | X | | | |
| Service air cleaner pre-cleaner | | X*** | | |
| Change oil‡ | | | X** | |
| Service air cleaner cartridge | | | X*** | |
| Replace spark plugs | | | | X |

‡ Change oil after first 8 hours of operation then after every 50 hours or every season.

* Clean if dirty. Replace if torn or perforated.

** Change oil every 25 hours when operating under heavy load or in high temperatures.

*** Clean more often under dirty or dusty conditions. Replace Cleaner parts if very dirty.

PRODUCT SPECIFICATIONS

Cleaning System Specifications

| | |
|--------------------------|---------------------|
| PRESSURE | 2500 psi |
| FLOW RATE | 2.5 GPM |
| CHEMICAL MIX | Use as directed |
| WATER SUPPLY TEMPERATURE | Not to Exceed 140°F |

Engine Specifications

| | |
|------------------------------|---------------------|
| ENGINE MODEL | Briggs and Stratton |
| RATED HORSEPOWER | 6.5 |
| SPARK PLUG: Type: | P/N 491055 |
| Set Gap to: | 0.030 inch (0.76mm) |
| GASOLINE CAPACITY | 3 U.S. quarts |
| OIL | SAE 30 weight |
| SOLID STATE IGNITION AIR GAP | 0.0125 inch |

In the State of California a spark arrestor is required by law (Section 4442 of the California Public Resources Code). Other states may have similar laws. Federal laws apply on federal lands.

Note: If you equip the engine of your cleaning system with a spark arrestor muffler, the spark arrestor must be maintained in effective working order by the owner/operator.

GENERAL RECOMMENDATIONS

The warranty of the cleaning system does not cover items that have been subjected to operator abuse or negligence. To receive full value from the warranty, operator must maintain cleaning system as instructed in this manual.

Some adjustments will need to be made periodically to properly maintain your cleaning system.

All adjustments in the Service and Adjustments section of this manual should be made at least once each season.

- Once a year you should clean or replace the spark plug and replace the air filter and check the gun and wand assembly for wear. A clean spark plug and new air filter assure proper fuel-air mixture and help your engine run better and last longer.

BEFORE EACH USE

- Check water inlet screen for damage.
- Check high pressure hose for leaks.
- Check chemical tanks and filters for damage.
- Check gun and wand assembly for leaks.
- Purge pump of air and contaminants.
- Check engine oil level.

CLEANING SYSTEM MAINTENANCE

Check and Clean Inlet Screen

Examine garden hose inlet screen. Clean if it is clogged or replace if it is torn.

Check High Pressure Hose

High pressure hose can develop leaks from wear, kinking, or abuse. Inspect hose each time before using it. Check for cuts, leaks, abrasions, bulging of cover, or damage or movement of couplings. If any of these conditions exist, replace hose immediately.



DANGER! Never repair a high pressure hose. Replace with hose that meets the minimum pressure rating of your cleaning system

Check Chemical Reservoirs

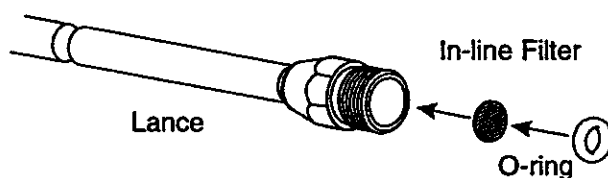
Tank covers should snap cleanly onto tank. Ensure chemical labels correctly identify tank contents. Ensure that the System Rinse tank is filled with clean water. Ensure that Dial-A-Cleaner™ selector knob rotates freely between each position. Examine the tanks and replace if the filter is clogged

Check Gun and Wand

Examine hose connection to gun and make sure it is secure. Test trigger by pressing it and making sure it springs back into place when you release it. Put safety latch in UP position and test trigger. You should not be able to press trigger. Replace gun immediately if it fails any of these tests.

Check In-Line Filter

Refer to the illustration below and service the in-line filter if it becomes clogged, as follows:



1. Detach gun and lance from high pressure hose. Detach lance from gun and remove o-ring and screen from lance. Flush the screen, gun, and lance with clean water to clear debris.
2. If the screen is damaged, the o-ring kit contains a replacement in-line filter screen and an o-ring. If undamaged, reuse screen.

3. Place the in-line filter screen into the threaded end of the lance. Direction does not matter. Push the screen in with the eraser end of a pencil until it rests flat at the bottom of the opening. Take care to not bend the screen.
4. Place the o-ring into the recess. Push the o-ring snugly against the in-line filter screen.
5. Assemble the lance to the spray gun, as described earlier in this manual.

Purge Pump of Air and Contaminants

To remove the air from the pump, follow these steps:

- Set up the cleaning system as described in the ASSEMBLY section and connect the water supply.
- Remove the wand extension from the gun.
- Pull the trigger on the gun and hold until a steady stream of water appears.

To remove the contaminants from the pump, follow these steps:

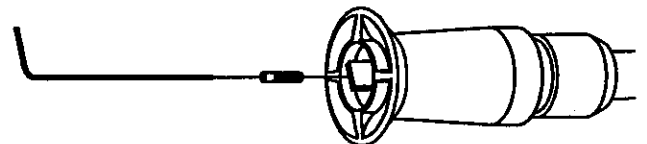
- Set up the cleaning system as described in the ASSEMBLY section, and connect the water supply.
- Remove the nozzle attachment from the gun.
- Start the engine according to instructions in OPERATION section.
- Pull the trigger on the gun and hold.
- When the water supply is steady and constant, engage the safety latch and refasten the nozzle attachment.

Nozzle Maintenance

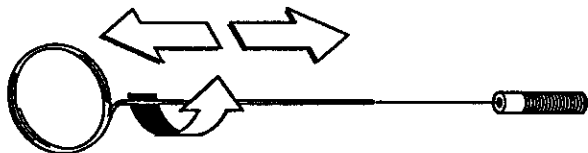
If the nozzle becomes restricted or clogged with foreign materials, such as dirt, excessive pump pressure may develop. A partially clogged nozzle can cause a pulsing condition during use. This generally is not a pump related problem, but rather a clogged or partially restricted nozzle.

If the nozzle becomes clogged or partially restricted, immediately clean the nozzle with the kit included with your cleaning system by following these instructions:

- Shut off the engine and turn off the water supply.
- Separate the wand from the gun.
- Rotate to stream setting.
- Remove nozzle from the end of the wand using a 2mm or 5/64 allen wrench.

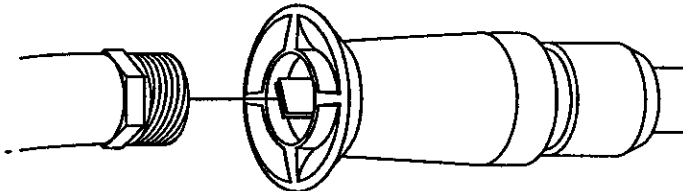


- Use the wire included in the kit or a small paper clip to free the foreign materials clogging or restricting the nozzle.



Insert wire into nozzle and turn back and forth to clear obstruction.

- Remove additional debris by back flushing water supply through wand. Back flush between 30 to 60 seconds. Turn wand to stream spray and move nozzle from low to high pressure while flushing.



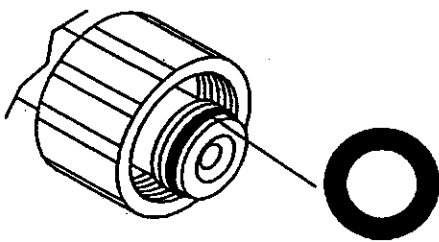
- Reinstall nozzle into wand. DO NOT overtighten.
- Reconnect wand extension to spray gun.
- Reconnect the water supply, turn ON the water, and start the engine.
- Test the cleaning system by operating with nozzle in the high and the low pressure positions.

O-Ring Maintenance

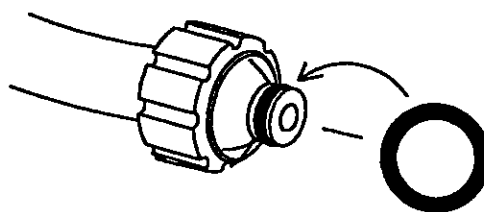
Through the normal operation of your cleaning system, the o-rings keep the connections of the hoses and gun tight and leak-free. They may become worn or damaged with use. Provided with your cleaning system is an O-Ring Maintenance Kit containing replacement o-rings, a rubber washer and a garden hose inlet screen.

Parts in the O-Ring Kit Include:

- 1 O-ring, red, (p/n B2726) for the end of the spray gun connection between gun and high/low spray wand.

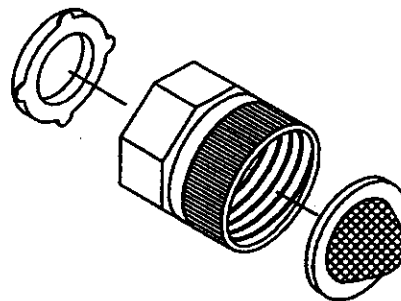


- 2 O-rings, yellow, (p/n B2264) for the ends of the high pressure hose.



Note: The above two o-rings are close in size. Please match carefully to assure proper o-ring usage.

- 1 rubber washer (p/n B2385) for the inside of the garden hose connector.
- 1 water inlet screen (p/n B2384) for the garden hose connector.



To remove a worn or damaged O-Ring:

- Use a small flathead screwdriver to get underneath the o-ring and pry it off.

ENGINE MAINTENANCE

Maintenance, replacement or repair of the emission control devices and systems may be performed by any non-road engine repair establishment or individual.

Checking Oil Level

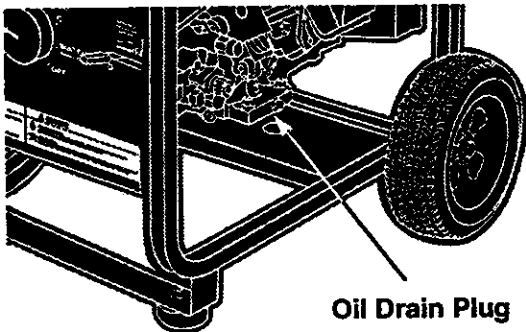
Oil level should be checked prior to each use or at least every 8 hours of operation. Keep oil level maintained.

Changing Oil

Change engine oil after the first 5 hours and every 50 hours thereafter. If you are using your cleaning system under extremely dirty or dusty conditions, or in extremely hot weather, change oil more often.

Change oil while engine is still warm from running, as follows:

- Place a suitable container for draining oil beneath the engine.
- Clean area around oil drain plug, remove plug and drain oil completely. When crankcase is empty, re-install oil drain plug.



Oil Drain Plug

- Clean area around oil fill plug and remove the oil fill plug. Fill engine crankcase with recommended oil until oil level is up to, but not past, the point of overflowing. **POUR SLOWLY.**
- When engine crankcase is filled to proper level, install and tighten oil fill plug.

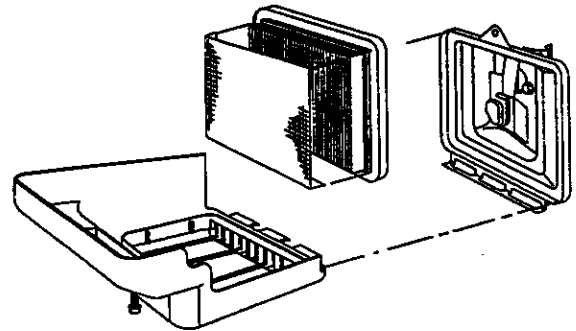
Service Dual Element Air Cleaner

Your engine will not run properly and may be damaged if you run it with a dirty dual element air cleaner.

Replace the pre-cleaner and/or cartridge if very dirty or damaged. Replacements are available at your local Sears Authorized Service Center.

To service the air cleaner, follow these steps:

- Loosen screw and tilt cover down. Remove the pre-cleaner and cartridge assembly.



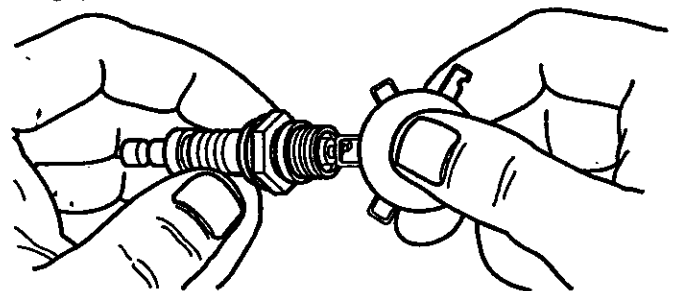
- Wash pre-cleaner in liquid detergent and water. Squeeze dry in a clean cloth and allow to dry thoroughly. **DO NOT** oil pre-cleaner.
- Gently tap cartridge on a flat surface to clean. **DO NOT** oil cartridge.
- Clean inside of filter case.
- Place pre-cleaner over cartridge pleats (pre-cleaner lip will be at bottom of pleats).
- Install pre-cleaner and cartridge assembly in cover.
- Insert tabs on cover into slots in bottom of base.
- Tilt cover up and tighten cover securely.

Clean / Replace Spark Plug

Clean or replace the spark plug yearly or every 100 hours of operation.

CAUTION! Disconnect spark plug wire from spark plug and keep wire away from spark plug.

- Clean area around spark plug.
- Remove and inspect spark plug.
- Replace spark plug if the electrodes are pitted, burned or porcelain is cracked. For replacement use P/N 491055.
- Check electrode gap with wire feeler gauge and set gap at .030 inches, if necessary.



- Install spark plug, tighten securely.

Carburetor


If you think your carburetor needs adjusting, see your nearest Sears Service Center. Engine performance may be affected at altitudes above 4000 feet. For operation at higher elevations, contact your nearest Sears Service Center.

STORAGE


AFTER EACH USE

Water should not remain in the unit for long periods of time. Sediments of minerals can deposit on pump parts and "freeze" pump action. Follow these procedures after every use:


- Flush the chemical system by selecting the System Rinse tank and run the cleaning system with nozzle in low pressure mode. Flush for one minute or until the chemical is cleared from the system.
- Shut off the engine and let it cool, then remove all hoses.

 **CAUTION!** Be sure the engine control switch is in the "Off" position before you continue.

- Empty the pump of all pumped liquids by pulling recoil handle about 6 times with the engine control switch in the "Off" position. This should remove most of the liquid in the pump.
- Rotate the Dial-A-Cleaner™ selector knob to the OFF position.
- Coil the high pressure hose and inspect it for damage. Cuts in the hose or fraying could result in leaks and loss of pressure. Should any damage be found, replace the hose. DO NOT attempt to repair a damaged hose. Replace the hose with the genuine Craftsman part.
- Drain water from hose and properly hang it on the wire support provided on the guide handle.
- Store system in a clean, dry area.

 **DANGER!** Never store the engine with fuel in the gas tank indoors or in enclosed, poorly ventilated areas where fumes may reach an open flame, a spark, or pilot light.

WINTER STORAGE

 **CAUTION!** You must protect your unit from freezing temperatures. Failure to do so will permanently damage your pump and render your unit inoperable.

To protect the unit from freezing temperatures:

- Empty all chemical reservoirs as follows:
 - a. Disconnect hose connected to chemical inject fitting on the pump. Place end of hose into suitable container.
 - b. Move the selector knob to Tank A and open that tank's cover. Gravity should shortly empty the tank contents into the container.
 - c. When the tank is empty, repeat step (b) for tanks B and C.
 - d. Reconnect the hose to the chemical inject fitting on the pump. Add 0.5 liter of clean fresh water to each tank and close tank's cover.


- Flush the chemical system by selecting a tank and run the cleaning system with nozzle in low pressure mode. Flush until each tank is empty, then switch the selector knob to the next tank. The last tank to be emptied must be the System Rinse tank.
- Connect a 3-foot section of garden hose to the inlet adapter. Pour RV-Antifreeze (antifreeze without alcohol) into the hose. Pull the recoil handle twice.

LONG TERM STORAGE

If you do not plan to use the cleaning system for more than 30 days, you must prepare the engine for long term storage.

It is important to prevent gum deposits from forming in essential fuel system parts such as the carburetor, fuel filter, fuel hose or tank during storage. Also, experience indicates that alcohol-blended fuels (called gasohol, ethanol or methanol) can attract moisture which leads to separation and formation of acids during storage. Acidic gas can damage the fuel system of an engine while in storage.

Protect Fuel System

 **DANGER!** Drain fuel into approved container outdoors, away from open flame. Be sure engine is cool. Do not smoke.


- Remove all gasoline from the fuel tank to prevent gum deposits from forming on these parts and causing possible malfunction of engine.
- Run engine until engine stops from lack of fuel. Make sure you have water supply to pump inlet connected and turned ON.

Change Oil

While engine is still warm, drain oil from crankcase. Refill with recommended grade. (See Changing Oil)

Oil Cylinder Bore

- Remove spark plug Squirt about 1 ounce (30 ml) of engine oil into the cylinder. Cover spark plug hole with rag. Crank engine slowly to distribute oil.

 **CAUTION!** Avoid spray from spark plug hole when cranking engine.

- Install spark plug. Do not connect spark plug wire.

OTHER

- Do not store gasoline from one season to another.
- If possible, store your unit indoors and cover it to give protection from dust and dirt. **BE SURE TO EMPTY THE FUEL TANK.**

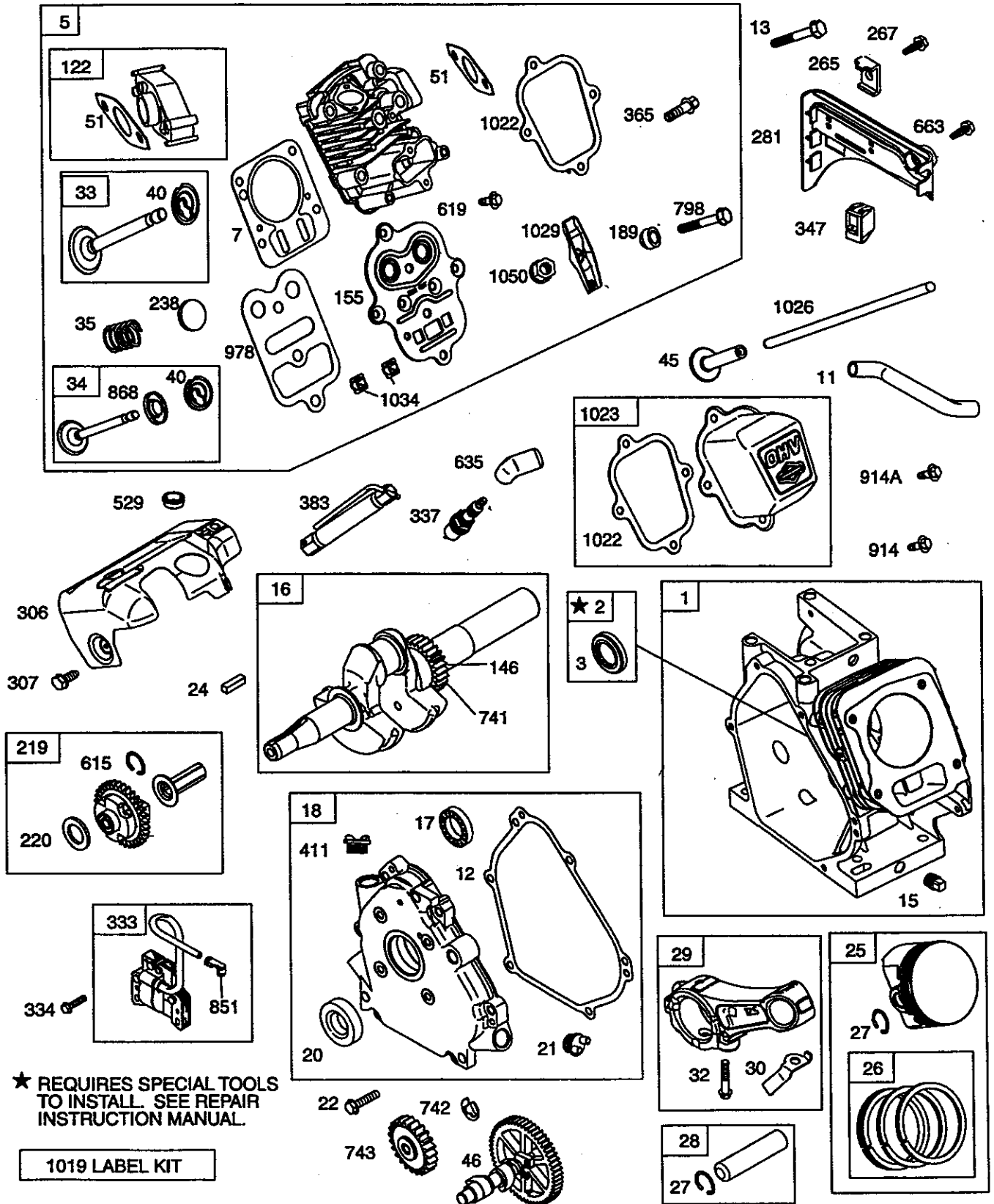
IMPORTANT: NEVER cover your cleaning system while engine and exhaust area are warm.

TROUBLESHOOTING

| PROBLEM | CAUSE | CORRECTION |
|--|---|--|
| Pump has following problems: failure to produce pressure, or erratic pressure, chattering, loss of pressure, low water volume. | <ol style="list-style-type: none"> 1. Nozzle in low pressure mode. 2. Water inlet is blocked. 3. Inadequate water supply 4. Inlet hose is kinked or leaking 5. Clogged water inlet screen. 6. Water supply is over 140°F. 7. Outlet hose is blocked. 8. Outlet hose leaks. 9. Gun leaks. 10. Nozzle is obstructed. 11. Pump is faulty. | <ol style="list-style-type: none"> 1. Pull nozzle backward for high pressure mode. 2. Clear inlet 3. Provide adequate water flow at least 3 gpm. 4. Straighten inlet hose, patch leak. 5. Replace / clean water inlet screen. 6. Provide cooler water supply. 7. Clear blocks in outlet hose. 8. Replace outlet hose if leaking. 9. Replace O-ring or gun if necessary. 10. Clear nozzle. 11. Contact Sears Service Department. |
| Detergent fails to mix. | <ol style="list-style-type: none"> 1. Detergent line is collapsed or kinked 2. Chemical tank filter is clogged. 3. Nozzle is in high pressure mode. 4. Dial-a-Cleaner knob is in off position. | <ol style="list-style-type: none"> 1. Repair or replace detergent line. 2. Replace tank 3. Push nozzle forward for low pressure mode. 4. Rotate knob for desired chemical. |
| Engine runs good when not spraying but dies when you begin to spray. | Engine speed is too slow. | Contact Sears Service Department. |
| Engine will not start; or starts and runs rough | <ol style="list-style-type: none"> 1. Dirty air cleaner 2. Out of gasoline. 3. Stale gasoline. 4. Spark plug wire not connected to spark plug. 5. Bad spark plug. 6. Water in gasoline. 7. Overchoking or flooded 8. Excessively rich fuel mixture. 9. Intake valve stuck open or closed. 10. Engine has lost compression. | <ol style="list-style-type: none"> 1. Clean or replace air cleaner. 2. Fill fuel tank. 3. Drain gas tank; fill with fresh fuel. 4. Connect wire to spark plug. 5. Replace spark plug. 6. Drain gas tank; fill with fresh fuel. 7. Set engine throttle control lever to fast position, choke in run position. 8. Contact Sears Service Department. 9. Contact Sears Service Department. 10. Contact Sears Service Department. |
| Engine shuts down during operation | <ol style="list-style-type: none"> 1. Out of gasoline. 2. Air filter dirty | <ol style="list-style-type: none"> 1. Fill fuel tank. 2. Replace Air filter. |
| Engine lacks power. | Dirty air filter. | Replace air filter. |

PARTS

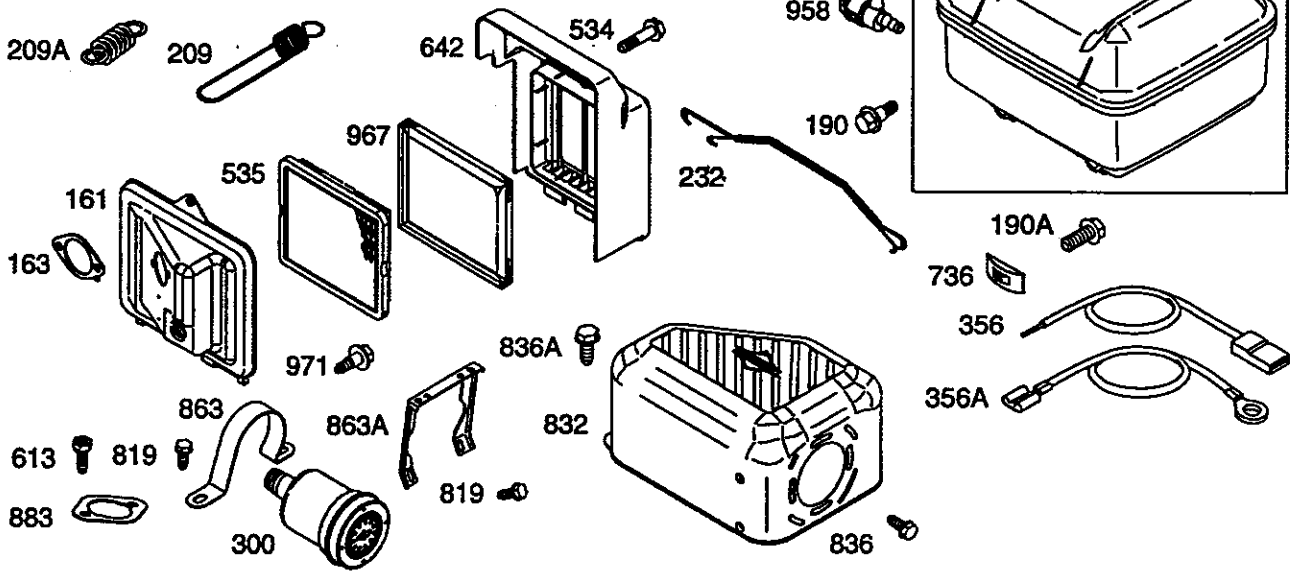
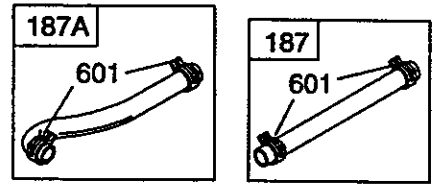
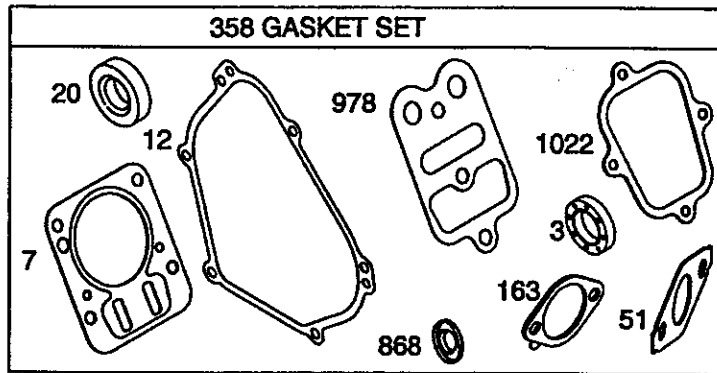
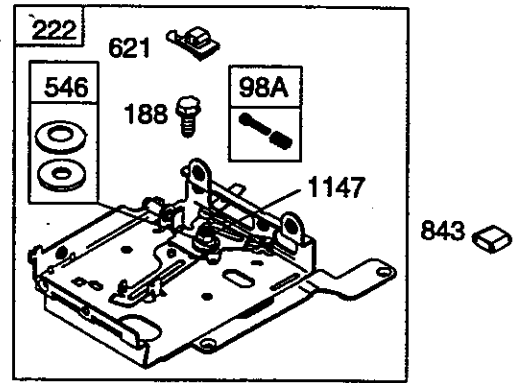
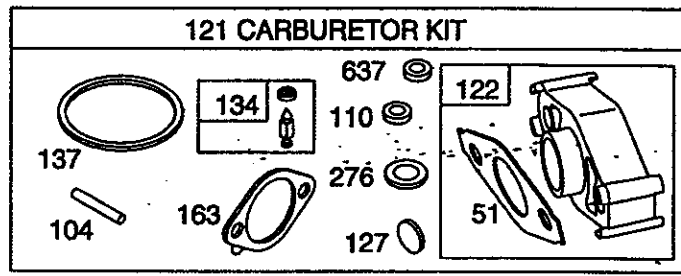
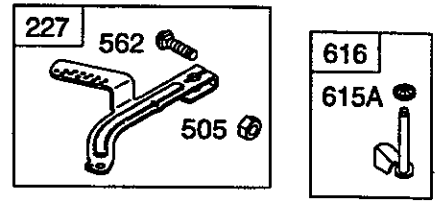
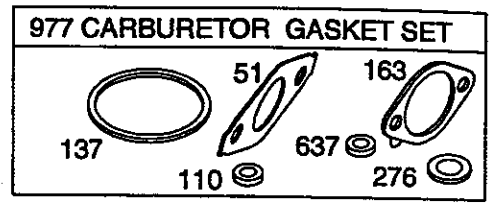
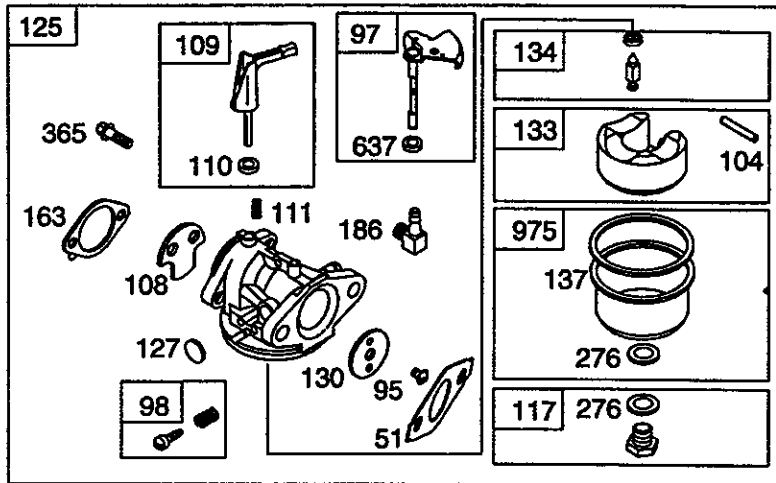
Briggs & Stratton 6.5HP Model # 121412-0148-E1



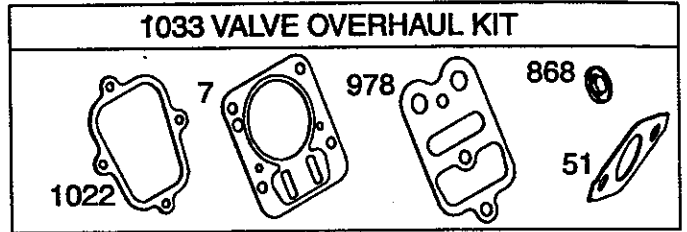
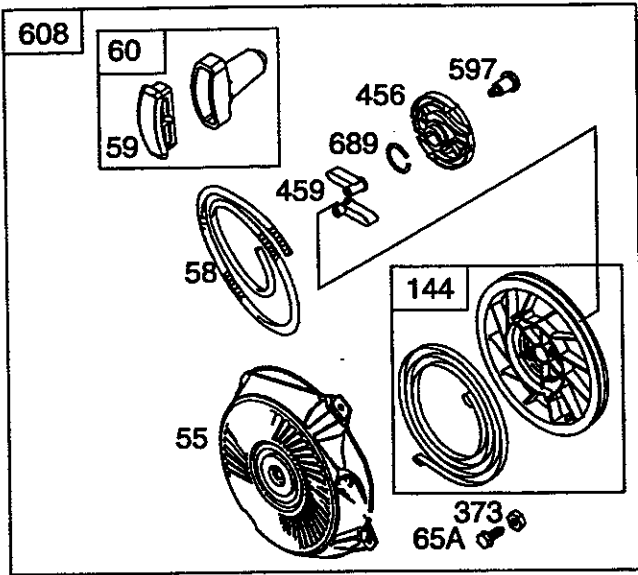
★ REQUIRES SPECIAL TOOLS TO INSTALL. SEE REPAIR INSTRUCTION MANUAL.

1019 LABEL KIT

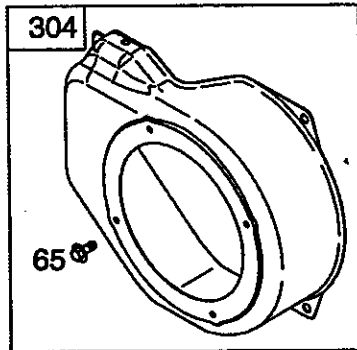
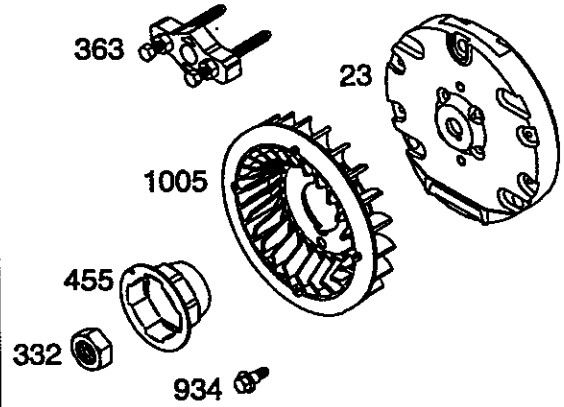
Briggs & Stratton 6.5HP Model # 121412-0148-E1



Briggs & Stratton 6.5HP Model # 121412-0148-E1



1036 LABEL KIT-EMISSIONS



305

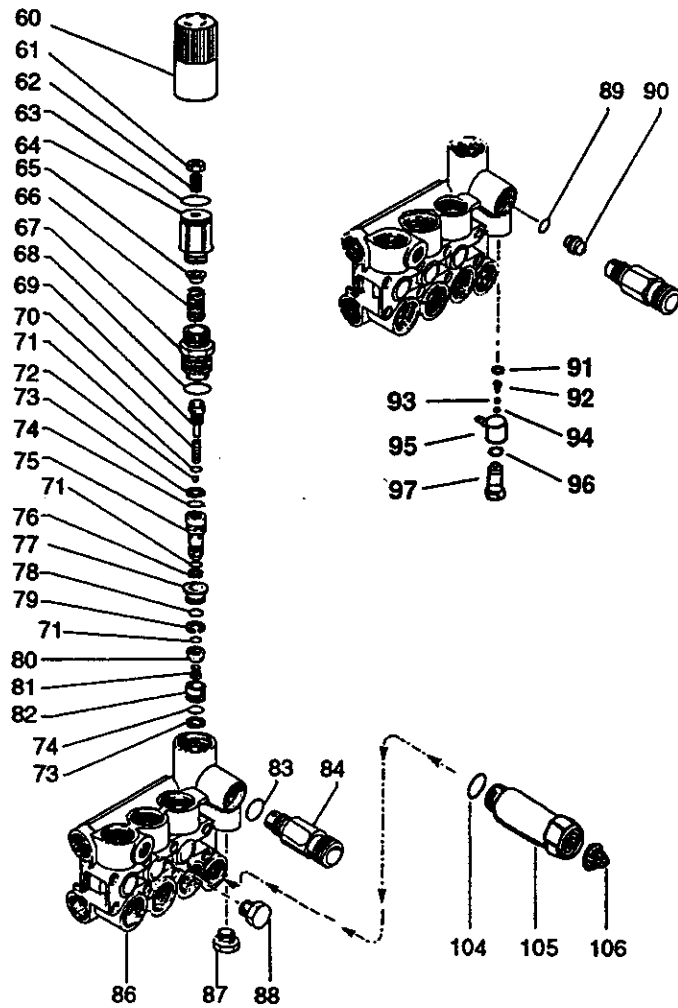
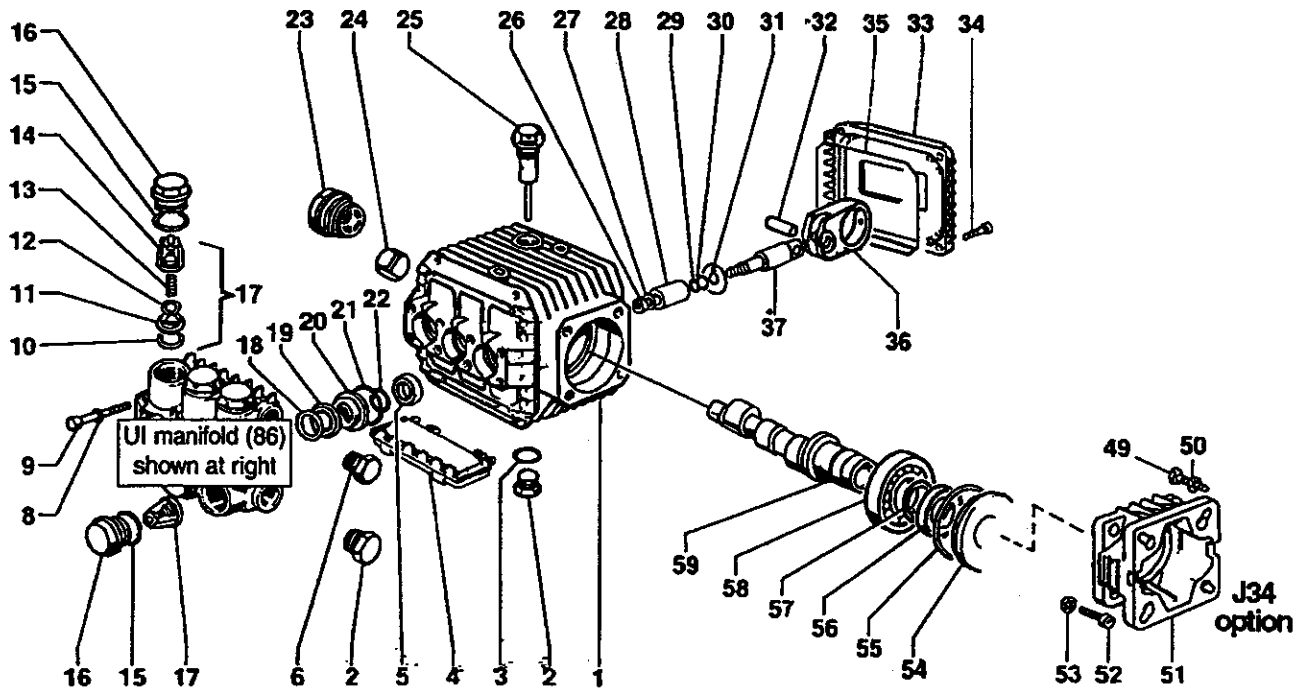
Briggs & Stratton 6.5HP Model # 121412-0148-E1

| <u>Item</u> | <u>Kit</u> | <u>Part #</u> | <u>Description</u> | <u>Item</u> | <u>Kit</u> | <u>Part #</u> | <u>Description</u> |
|-------------|------------|---------------|--------------------------------|-------------|------------|---------------|---|
| 1 | | 690045 | Cylinder Assembly | 59 | | 805857 | Insert-Grip |
| 2 | | 399269 | Bushing/Seal Kit | 60 | | 715257 | Grip-Starter Rope |
| 3 | ▲ | 299819 | Seal-Oil | 65 | | 692608 | Screw (Rewind Starter) |
| 5 | | 693643 | Head-Cylinder | 65A | | 94904 | Screw (Rewind Starter) |
| 7 | ▲■ | 273489 | Gasket-Cylinder Head | 95 | | 94098 | Screw (Throttle Valve) |
| 11 | | 693647 | Tube-Breather | 97 | | 693412 | Shaft-Throttle |
| 12 | ▲ | 692549 | Gasket-Crankcase | 98 | | 398185 | Kit-Idle Speed |
| 13 | | 95049 | Screw (Cylinder Head) | 98A | | 493280 | Kit-Idle Speed |
| 15 | | 94916 | Plug-Oil Drain | 104 | ● | 231371 | Pin-Float Hinge |
| 16 | | 693887 | Crankshaft | 108 | | 223471 | Valve-Choke |
| 17 | | 498185 | Bearing-Ball | 109 | | 690023 | Shaft-Choke |
| 18 | | 693605 | Cover-Crankcase | 110 | ●◆ | | Washer (Sold in Kit Only) |
| 20 | ▲ | 692550 | Seal-Oil | 111 | | 262715 | Spring Detent |
| 21 | | 281658 | Cap-Oil Fill | 117 | | 690048 | Jet Main |
| 22 | | 692551 | Screw (Crankcase Cover) | 121 | | 690032 | Carburetor Kit |
| 23 | | 692987 | Flywheel | 122 | ● | 693749 | Spacer-Carburetor |
| 24 | | 222698 | Key-Flywheel | 125 | | 690046 | Carburetor |
| 25 | | 499627 | Piston Assembly (Standard) | 127 | ● | | Plug-Welch (Sold in Kit Only) |
| 25 | | ———— Note ——— | | 130 | | 223470 | Valve-Throttle |
| 25 | | 692788 | Piston Assembly (.010" O/S) | 133 | | 398187 | Float-Carburetor |
| 25 | | 692789 | Piston Assembly (.020" O/S) | 134 | ● | 398188 | Valve-Needle |
| 25 | | 692790 | Piston Assembly (.030" O/S) | 137 | ●◆ | | Gasket-Float Bowl (Sold in Kit Only) |
| 26 | | 499631 | Ring Set (Standard) | 146 | | 94388 | Key-Timing |
| 26 | | ———— Note ——— | | 155 | | 225430 | Plate-Cylinder Head |
| 26 | | 692785 | Ring Set (.010" O/S) | 161 | | 692579 | Base-Air Cleaner |
| 26 | | 692786 | Ring Set (.020" O/S) | 163 | ▲●◆ | 272948 | Gasket-Air Cleaner |
| 26 | | 692787 | Ring Set (.030" O/S) | 186 | | 493496 | Connector-Hose |
| 27 | | 263190 | Lock-Piston Pin | 187 | | 298049 | Line-Fuel (Cut to Required Length) |
| 28 | | 499423 | Pin-Piston | 187A | | 692601 | Line-Fuel (Molded) |
| 29 | | 690124 | Rod-Connecting | 188 | | 94644 | Screw (Control Bracket) |
| 30 | | 225279 | Dipper-Connecting Rod | 189 | | 263108 | Ball-Rocker Arm |
| 32 | | 94699 | Screw-Connecting Rod | 190 | | 692127 | Screw (Fuel Tank) |
| 33 | | 499642 | Valve-Exhaust | 190A | | 94644 | Screw (Fuel Tank) |
| 34 | | 499641 | Valve-Intake | 209 | | 263255 | Spring-Governor |
| 35 | | 263149 | Spring-Valve | 209A | | 261306 | Spring-Governor |
| 40 | | 93312 | Retainer-Valve | 219 | | 693578 | Gear-Governor |
| 45 | | 262679 | Tappet-Valve | 220 | | 221551 | Washer-Thrust |
| 46 | | 693404 | Camshaft | 222 | | 693405 | Bracket-Control |
| 51 | ▲●◆■ | 692555 | Gasket-Intake (2 Required) | 227 | | 499506 | Lever-Governor |
| 55 | | 497442 | Housing-Rewind Starter | 232 | | 693408 | Spring/Link |
| 58 | | 693389 | Rope-Starter | 238 | | 263131 | Cap-Valve |
| | | | | 265 | | 221535 | Clamp-Casing |
| | | | | 267 | | 692577 | Screw (Casing Clamp) |

Briggs & Stratton 6.5HP Model # 121412-0148-E1

| <u>Item</u> | <u>Kit</u> | <u>Part #</u> | <u>Description</u> | <u>Item</u> | <u>Kit</u> | <u>Part #</u> | <u>Description</u> |
|-------------|------------|---------------|--------------------------------|-------------|------------|---------------|--|
| 276 | ●◆ | | Washer-Seal (Sold in Kit Only) | 663 | | 692577 | Screw (Control Panel) |
| 281 | | 693407 | Panel-Control | 689 | | 263073 | Spring-Friction |
| 285 | | 692595 | Strap-Muffler | 736 | | 95230 | Clip-Nut |
| 300 | | 693593 | Muffler-Exhaust | 741 | | 692565 | Gear-Timing |
| 304 | | 693621 | Housing-Blower | 742 | | 692564 | Ring-Retaining |
| 305 | | 692608 | Screw (Blower Housing) | 743 | | 692566 | Gear-Idler |
| 306 | | 693610 | Shield-Cylinder | 798 | | 692559 | Screw (Rocker Arm) |
| 307 | | 94515 | Screw (Cylinder Shield) | 819 | | 692598 | Screw (Muffler Bracket) |
| 332 | | 94877 | Nut (Flywheel) | 832 | | 693583 | Guard-Muffler |
| 333 | | 692605 | Armature-Magneto | 843 | | 281748 | Sleeve-Lever |
| 334 | | 94731 | Screw (Magneto Armature) | 851 | | 493850 | Terminal Cable |
| 337 | | 491055 | Plug-Spark | 863 | | 692596 | Bracket-Muffler |
| 347 | | 692599 | Switch-Rocker | 836A | | 693624 | Screw (Mounting) |
| 356 | | 692602 | Wire-Stop | 868 | ▲■ | 498592 | Seal-Valve |
| 356A | | 692603 | Wire-Stop | 883 | | 272309 | Gasket-Exhaust |
| 358 | | 690031 | Gasket Set | 914 | | 94786 | Screw (Rocker Cover 7/16" Long) |
| 363 | | 19069 | Flywheel Puller | 914A | | 692557 | Screw (Rocker Cover 3/8" Long) |
| 365 | | 692568 | Screw (Carburetor) | 934 | | 692590 | Screw (Fan Retainer) |
| 373 | | 94908 | Nut (Rewind Starter) | 957 | | 493988 | Cap-Fuel Tank |
| 383 | | 19374 | Wrench-Spark Plug | 958 | | 692586 | Valve-Shutoff |
| 411 | | 693463 | Cap-Oil Fill | 967A | | 273356 | Filter-Air (Pre-Filter) |
| 455 | | 225457 | Cup-Flywheel | 971 | | 94727 | Screw (Air Cleaner Base) |
| 456 | | 281503 | Retainer-Spring | 972 | | 692587 | Tank-Fuel |
| 459 | | 281505 | Pawl-Ratchet | 975 | | 493640 | Bowl-Float |
| 505 | | 231082 | Nut (Governor Lever) | 977 | | 690033 | Gasket Set-Carburetor |
| 529 | | 692553 | Grommet | 978 | ▲■ | 273346 | Gasket-Plate |
| 534 | | 692583 | Screw (Air Cleaner Cover) | 1005 | | 692592 | Fan-Flywheel |
| 535 | | 491588 | Filter-Air | 1019 | | 690035 | Label Kit |
| 546 | | 495659 | Washer Set (Control Bracket) | 1022 | ▲■ | 273241 | Gasket-Rocker Cover |
| 562 | | 94852 | Bolt (Governor Lever) | 1023 | | 499924 | Cover-Rocker |
| 597 | | 94943 | Screw (Spring Retainer) | 1026 | | 693517 | Rod-Push |
| 601 | | 95162 | Clamp-Hose | 1029 | | 225246 | Arm-Rocker |
| 608 | | 693394 | Starter-Rewind | 1033 | | 690034 | Kit-Valve Overhaul |
| 613 | | 94706 | Screw (Muffler Mounting) | 1034 | | 281621 | Guide-Push Rod |
| 615 | | 93555 | Ring-Retainer | 1036 | | 693203 | Label Kit-Emissions |
| 616 | | 692547 | Crank-Governor | 1050 | | 95137 | Nut (Rocker Arm) |
| 619 | | 94744 | Screw (Cylinder Head Plate) | 1147 | | 692575 | Nut (Control Bracket) |
| 621 | | 692310 | Switch-Stop | ▲ | | | Included in Gasket Set, Ref Number 358. |
| 635 | | 805529 | Boot-Spark Plug | ● | | | Included in Carburetor Kit, Ref Number 121. |
| 637 | ●◆ | | Washer (Sold in Kit Only) | ◆ | | | Included in Carburetor Gasket Set, Ref Number 977. |
| 642 | | 692584 | Cover-Air Cleaner | ■ | | | Included in Value Overhaul Kit, Ref Number 1033. |

Craftsman 2500 PSI Cleaning System 580.768040 Pump



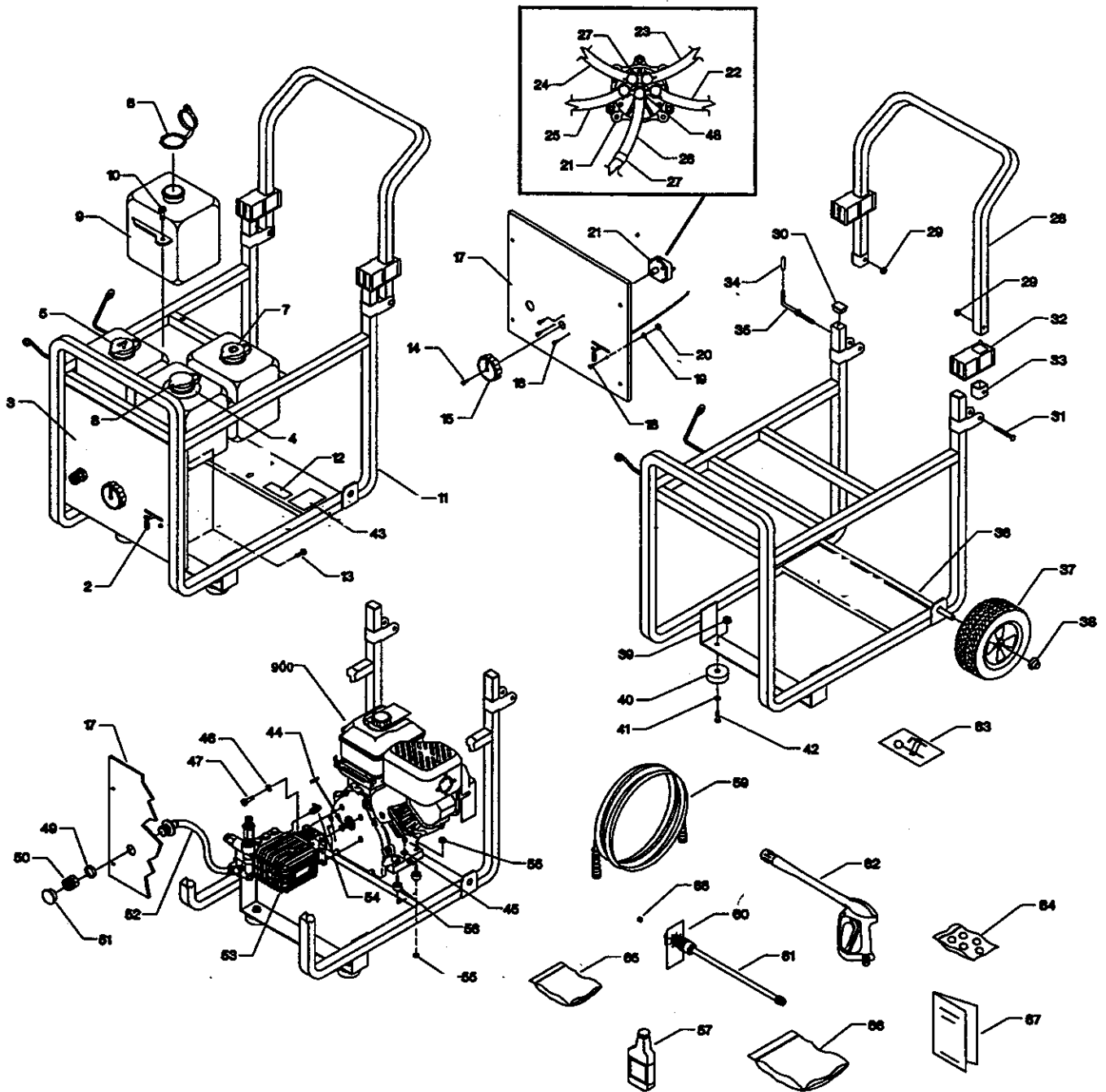
**Craftsman 2500 PSI Cleaning System 580.768040
Pump**

| <u>Item</u> | <u>Part #</u> | <u>Description</u> | <u>Qty</u> | <u>Item</u> | <u>Part #</u> | <u>Description</u> | <u>Qty</u> |
|-------------|---------------|--------------------|------------|-------------|---------------|--------------------|------------|
| 1 | 100-92293P | Crankcase | 1 | 55 | 129-92293P | O-Ring | 1 |
| 2 | 101-92293P | Plug | 1 | 56 | 130-92293P | Oil Seal | 1 |
| 3 | 102-92293P | O-Ring | 1 | 57 | 131-92293P | Snap Ring | 1 |
| 4 | 103-92293P | Protector | 1 | 58 | 132-92293P | Bearing | 1 |
| 5 | 104-B3169 | Oil Seal | 3 | 59 | 146-B3169 | Crankshaft | 1 |
| 6 | 104-92293P | Plug | 1 | 60 | 134-92293P | Knob | 1 |
| 8 | 106-92293P | Washer | 8 | 61 | 148-B3169 | Bolt | 1 |
| 9 | 107-92293P | Screw | 8 | 62 | 149-B3169 | Nut | 1 |
| 10 | 108-B3169 | O-Ring | 6 | 63 | 137-92293P | O-Ring | 1 |
| 11 | 109-B3169 | Valve Seat | 6 | 64 | 138-92293P | Pressure Regulator | 1 |
| 12 | 110-B3169 | Valve Plate | 6 | 65 | 152-B3169 | Seal | 1 |
| 13 | 111-B3169 | Spring | 6 | 66 | 140-92293P | Spring | 1 |
| 14 | 112-B3169 | Valve Cage | 6 | 67 | 154-B3169 | Bushing | 1 |
| 15 | 108-92293P | O-Ring | 6 | 68 | 108-92293P | O-Ring | 1 |
| 16 | 114-B3169 | Valve Cap | 6 | 69 | 156-B3169 | Stopper | 1 |
| 17 | 115-B3169 | Valve Assy. | 6 | 70 | 157-B3169 | Spring | 1 |
| 18 | 116-B3169 | Head Ring | 3 | 71 | 158-B3169 | O-Ring | 3 |
| 19 | 117-B3169 | Packing | 3 | 72 | 159-B3169 | Ball | 1 |
| 20 | 118-B3169 | Packing Retainer | 3 | 73 | 160-B3169 | Back Up Ring | 2 |
| 21 | 119-B3169 | O-Ring | 3 | 74 | 161-B3169 | O-Ring | 2 |
| 22 | 120-B3169 | O-Ring | 3 | 75 | 162-B3169 | Piston | 1 |
| 23 | 110-92293P | Sight Gauge | 1 | 76 | 163-B3169 | Back Up Ring | 1 |
| 24 | 111-92293P | Needle Bearing | 1 | 77 | 164-B3169 | Valve Guide | 1 |
| 25 | 94504 | Oil Dip Stick | 1 | 78 | 165-B3169 | O-Ring | 1 |
| 26 | 112-92293P | Nut | 3 | 79 | 166-B3169 | Back Up Ring | 1 |
| 27 | 113-92293P | Washer | 3 | 80 | 167-B3169 | Valve | 1 |
| 28 | 150-92293P | Plunger | 3 | 81 | 168-B3169 | Screw | 1 |
| 29 | 114-92293P | O-Ring | 3 | 82 | 169-B3169 | Valve Seal | 1 |
| 30 | 115-92293P | Back Up Ring | 3 | 83 | 170-B3169 | O-Ring | 1 |
| 31 | 116-92293P | Flinger Washer | 3 | 84 | 141-92293P | Nipple | 1 |
| 32 | 117-92293P | Conn. Rod Pin | 3 | 86 | 172-B3169 | UI Manifold | 1 |
| 33 | 118-92293P | Crankcase Cover | 1 | 87 | 173-B3169 | Cap | 1 |
| 34 | 126-92293P | Screw | 4 | 88 | 104-92293P | Cap | 1 |
| 35 | 120-92293P | Cover O-Ring | 1 | 89 | 161-B3169 | O-Ring | 1 |
| 36 | 134-B3169 | Connecting Rod | 3 | 90 | 142-92293P | Nozzle | 1 |
| 37 | 122-92293P | Plunger Rod | 3 | 91 | 177-B3169 | O-Ring | 1 |
| 49 | 136-B3169 | Screw | 4 | 92 | 178-B3169 | Spring | 1 |
| 50 | 137-B3169 | Washer | 4 | 93 | 179-B3169 | Ball | 1 |
| 51 | 138-B3169 | Flange | 1 | 94 | 114-92293P | O-Ring | 1 |
| 52 | 126-92293P | Screw | 4 | 95 | 197-B3169 | Hose barb | 1 |
| 53 | 106-92293P | Washer | 4 | 96 | 112-92293P | O-Ring | 1 |
| 54 | 128-92293P | Spacer | 1 | 97 | 199-B3169 | Injector Housing | 1 |

Repair Kits

| <u>Description</u> | <u>Part #</u> | <u>Items included in kit</u> | <u># Assys in Kit</u> |
|--------------------|---------------|---|---------------------------|
| Valve Kit | 500-92294P | 10, 11, 12, 13, 14, (17) | 6 |
| Oil Seal | 500-92293P | 5 | 3 |
| O-Ring | 192-B3169 | 20, 21, 22 | 3 |
| O-Ring | 506-92294P | 83,89,91,92,93,94,95,96 | - |
| O-Ring | 503-92293P | 18, 19, 20, 21, 22 | 1 |
| O-Ring | 195-B3169 | 18, 19, 21, 22 | 3 |
| O-Ring | 505-92293P | 67,68,69,70,71,72,73,74,75,76, 77,78,79,80,81,82 | - |

**Craftsman 2500 PSI Cleaning System 580.768040
Main Unit**



Craftsman 2500 PSI Cleaning System 580.768040

Main Unit

| Item | Part # | Qty. | Description | Item | Part # | Qty. | Description |
|------|--------|------|---------------------------------|--|-------------------------------------|------|---|
| 2 | B3608B | 1 | LINK, Throttle Control | 42 | 42909 | 2 | HHCS, M8 x 1.25 x 30 |
| 3 | B3605 | 1 | DECAL, Control Panel | 43 | B4231 | 1 | DECAL, Start Instruction |
| 4 | B3376B | 1 | TAG, System Flush Water | 44 | 23139B | 1 | KEY, 3/16" X 1.50" Sq. |
| 5 | B3222A | 1 | CAP, Chem Container "A" | 45 | 22145 | 1 | FLAT WASHER, M8 |
| 6 | B3222B | 1 | CAP, Chem Container "B" | 46 | 92479 | 4 | LOCK WASHER, M8 |
| 7 | B3222C | 1 | CAP, Chem Container "C" | 47 | 22147 | 4 | HHCS, 5/16" - 24 x 3/4" |
| 8 | B3222D | 1 | CAP, Chem Container "Water" | 48 | 48031C | 1 | CLAMP, Hose 1/2" |
| 9 | B3599 | 4 | ASSY., Chemical Tank 1 Gal. | 49 | B3735 | 1 | NUT, Water Inlet |
| 10 | B3695 | 8 | BOLT, 1/4" - 20 with Washer | 50 | 21424 | 1 | CONNECTOR, Garden Hose |
| 11 | EB3440 | 1 | CRADLE, Powder Ct Green | 51 | 97098 | 1 | CAP, Garden Hose Inlet |
| 12 | 96307 | 1 | DECAL, 1-800 Number | 52 | B3698 | 1 | HOSE, Water Inlet |
| 13 | 86292 | 4 | SELF DRILL, 10 - 16 x 3/4" | 53 | B3169 | 1 | ASSY., Pump |
| 14 | B3311 | 1 | SCREW, Plastite 10 - 9 | 54 | B2727 | 1 | THERMAL RELIEF, 3/8" NPT |
| 15 | B3721 | 1 | HANDLE, 4-Way Valve | 55 | 67989 | 8 | NUT, Hex M8 - 1.25 |
| 16 | B3377 | 3 | SCREW, Plastite 8 x 3/4" | 56 | 21217 | 4 | MOUNT, Rubber Shock |
| 17 | EB3114 | 1 | PANEL, Cntrl Powder Green | 57 | AB3061B | 1 | OIL BOTTLE |
| 18 | 91526 | 2 | PPHMS, M5 - 0.8 x 12 | 59 | B3635 | 1 | HOSE, 3/8" x 25' |
| 19 | 49226 | 2 | LOCK WASHER, M5 | 60 | 97566 | 1 | TAG, Nozzle Instructions |
| 20 | 51716 | 2 | NUT, Hex M5 - 0.8 | 61 | B3264C | 1 | WAND, Nozzle Hi/Lo |
| 21 | B3306 | 1 | ASSY., Sub 4-Way Valve | 62 | B3263 | 1 | GUN, High Pressure |
| 22 | B3839A | 1 | HOSE, Chemical "A" - 9" | 63 | B3708 | 1 | KIT, Cleaning Nozzle |
| 23 | B3839B | 1 | HOSE, Chemical "B" - 13" | 64 | B2730 | 1 | KIT, Maintenance |
| 24 | B3839C | 1 | HOSE, Chemical "C" - 13" | 65 | B3454 | 1 | KIT, Chemical Tags |
| 25 | B3839D | 1 | HOSE, Chemical "D" - 9" | 66 | B3589 | 1 | KIT, 3 Pak Concentrate |
| 26 | B3601A | 1 | HOSE, Chemical Pump 12.5" | 67 | B3610 | 1 | MANUAL |
| 27 | 48031G | 5 | CLAMP, Hose 3/16" | 68 | 92661 | 1 | NOZZLE - Replacement |
| 28 | EB3620 | 1 | HANDLE, Powder Green | 900 | NSP | 1 | ENGINE, B&S Intek 6.5HP, Model 121412-0148-E1 |
| 29 | B2071 | 2 | NUT, 1/4" - 20 Flange Locking | Optional Accessories Not Illustrated: | | | |
| 30 | 46476 | 2 | CAPLUG, Tubing | 71-74300 | House Wash Concentrate | | |
| 31 | 31669 | 1 | BOLT, 1/4"-20 x 1-3/4" Carriage | 71-74301 | Deck Wash Concentrate | | |
| 32 | B1779 | 2 | COVER, Hinge | 71-74302 | Vehicle Wash Concentrate | | |
| 33 | B2347 | 2 | END CAP, Tube | 71-74303 | Degreaser Concentrate | | |
| 34 | B1460 | 1 | CAP, Vinyl Black | 71-74400 | Heavy Duty Turbo Nozzle | | |
| 35 | B2759 | 1 | HOOK, Square Neck Gun | 71-74401 | 25' 3/8" Replacement Extension Hose | | |
| 36 | B3742 | 1 | AXLE ROD, 1/2" x 24.65" | 71-75115 | 25' 1/4" Replacement Hose | | |
| 37 | B1760 | 2 | ASSY., Wheel & Tire 10" | 71-75116 | O Ring Repair Kit | | |
| 38 | 75402 | 2 | PUSHNUT, 1/2" | 71-75187 | Garden Hose Quick Connect | | |
| 39 | 52858 | 2 | NUT, M8 - 1.25 Locking | 71-75197 | Accessory Quick Connect Kit | | |
| 40 | 27007 | 2 | MOUNT, Vibration Donut Type | 71-75199 | Rotating Brush | | |
| 41 | 50190 | 2 | FLAT WASHER, M8 | 71-76430 | Floor/Siding Brush | | |
| | | | | 71-76431 | Utility Brush | | |

EMISSIONS CONTROL WARRANTY STATEMENT

BRIGGS & STRATTON CORPORATION (B&S), THE CALIFORNIA AIR RESOURCES BOARD (CARB) AND THE UNITED STATES ENVIRONMENTAL PROTECTION AGENCY (U.S. EPA) EMISSION CONTROL SYSTEM WARRANTY STATEMENT (OWNER'S DEFECT WARRANTY RIGHTS AND OBLIGATIONS)

In the interest of the environment, Briggs & Stratton engines that meet strict emission requirements are labeled, "This engine conforms to 1995-1998 California Emission Control Regulations for ULGE engines and U.S. EPA Phase 1 regulations for small non-road engines." EMISSION CONTROL WARRANTY COVERAGE IS APPLICABLE ONLY TO CERTIFIED ENGINES PURCHASED IN CALIFORNIA IN 1995 AND THEREAFTER WHICH ARE USED IN CALIFORNIA AND TO CERTIFIED MODEL YEAR 1997 AND LATER ENGINES WHICH ARE PURCHASED AND USED ELSEWHERE IN THE UNITED STATES.

California and United States Emission Control Defects Warranty Statement

CARB, U.S. EPA and B&S are pleased to explain the Emission Control System Warranty Statement on your 1996 and later utility or lawn and garden equipment (ULGE) engine. In California, new ULGE engines produced on or after August 1, 1995 must be designed, built and equipped to meet the State's stringent anti-smog standards. Elsewhere in the United States, new non-road, spark-ignition engines certified for model year 1997 and alter, must meet similar standards set forth by the U.S. EPA. B&S must warrant the emission control system on your engine for the periods of time listed below provided there has been no abuse, neglect or improper maintenance of your ULGE engine.

Your emission control system includes parts such as the carburetor, air cleaner, ignition system, muffler and catalytic converter. Also included may be connectors and other emission related assemblies. Where a warrantable condition exists, B&S will repair your ULGE engine at no cost to you including diagnosis, parts and labor.

Briggs and Stratton Emission Control Defects Warranty Coverage

ULGE engines are warranted relative to emission control parts defects for a period of two years, subject to the provisions set forth below. If any covered part on your engine is defective, the part will be repaired and replaced by B&S.

Owner's Warranty Responsibilities

As the ULGE engine owner you are responsible for the performance of the required maintenance listed in your Operator/Owner Manual. B&S recommends that you retain all of your receipts covering maintenance on your ULGE engine, but B&S cannot deny warranty solely for the lack of receipts or for your failure to ensure the performance of all scheduled maintenance.

As the ULGE engine owner, you should however be aware that B&S may deny you warranty coverage if your ULGE engine or a part has failed due to abuse, neglect, improper maintenance or unapproved modifications.

You are responsible for presenting your ULGE engine to an Authorized B&S Service Dealer as soon as a problem exists. The undisputed warranty repairs should be completed in a reasonable amount of time, not to exceed 30 days.

If you have any questions regarding your warranty rights and responsibilities, you should contact a B&S Service Representative at 1-414-259-5262.

The emission warranty is a defects warranty. Defects are judged on normal engine performance. The warranty is not related to an in-use emission test.

BRIGGS AND STRATTON EMISSION CONTROL DEFECTS WARRANTY PROVISIONS

The following are specific provisions relative to your Emissions Control Defects Warranty Coverage. It is in addition to the B&S engine warranty for non-regulated engines found in the Operator/Owner's Manual.

1. Warranted Parts

Coverage under this warranty extends only to the parts listed below (the emission control systems parts) to the extent these parts were present on the engine purchased.

- a. Fuel Metering System
 - Cold start enrichment system (soft choke)
 - Carburetor and internal parts
 - Fuel Pump
- b. Air Induction System
 - Air cleaner
 - Intake manifold
- c. Ignition system
 - Spark Plugs
 - Magneto ignition system
- d. Catalyst System
 - Catalyst converter
 - Exhaust manifold
 - Air injection system or pulse valve
- e. Miscellaneous Items Used in Above Systems
 - Vacuum, temperature, position, time sensitive valves and switches
 - Connectors and Assemblies

2. Length of Coverage

B&S warrants to the initial owner and each subsequent purchaser that the Warranted Parts shall be free from defects in materials and workmanship which caused the failure of the Warranted Parts for a period of two years from the date the engine is delivered to a retail purchaser.

3. No Charge

Repair or replacement of any Warranted Part will be performed at no charge to the owner, including diagnostic labor which leads to the determination that a Warranted Part is defective, if the diagnostic work is performed at an Authorized B&S Service Dealer. For emissions warranty service contact your nearest Authorized B&S Dealer as listed in the "Yellow Pages" under "Engines, Gasoline," "Gasoline Engines," "Lawn Mowers" or similar category.

4. Claims and Coverage Exclusions

Warranty claims should be filed in accordance with the provisions of the B&S Engine Warranty Policy. Warranty coverage shall be excluded for failures of Warranted Parts which are not original B&S parts or because of abuse, neglect or improper maintenance as set forth in the B&S Engine Warranty Policy. B&S is not liable to cover failures of Warranted Parts caused by the use of add-on, non-original, or modified parts.

5. Maintenance

Any Warranted Part which is not scheduled for replacement as required by maintenance or which is scheduled only for regular inspection to the effect of "repair or replace as necessary" shall be warranted as to defects for the warranty period. Any Warranted part which is scheduled for replacement as required by maintenance shall be warranted as to defects only for the period of time up to the first scheduled replacement for that part. Any replacement part that is equivalent in performance and durability may be used in the performance of any maintenance or repairs. The owner is responsible for the performance of all required maintenance, as defined in the B&S Operator/Owner Manual.

6. Consequential Coverage

Coverage here under shall extend to the failure of any engine components caused by the failure of any Warranted Part still under warranty.

For in-home major brand repair service:

Call 24 hours a day, 7 days a week

1-800-4-MY-HOMESM (1-800-469-4663)

Para pedir servicio de reparación a domicilio – 1-800-676-5811

In Canada for all your service and parts needs call – **1-800-665-4455**
Au Canada pour tout le service ou les pièces

For the repair or replacement parts you need:

Call 7 am – 7 pm, 7 days a week

1-800-366-PART (1-800-366-7278)

Para ordenar piezas con entrega a domicilio – 1-800-659-7084

For the location of a Sears Parts and Repair Center in your area:

Call 24 hours a day, 7 days a week

1-800-488-1222

**For information on purchasing a Sears Maintenance Agreement
or to inquire about an existing Agreement:**

Call 9 am – 5 pm, Monday – Saturday

1-800-827-6655



The Service Side of SearsSM

Free Manuals Download Website

<http://myh66.com>

<http://usermanuals.us>

<http://www.somanuals.com>

<http://www.4manuals.cc>

<http://www.manual-lib.com>

<http://www.404manual.com>

<http://www.luxmanual.com>

<http://aubethermostatmanual.com>

Golf course search by state

<http://golfingnear.com>

Email search by domain

<http://emailbydomain.com>

Auto manuals search

<http://auto.somanuals.com>

TV manuals search

<http://tv.somanuals.com>