

# Owner's Manual



**4.0 Horsepower**

**2150 PSI**

**2.0 GPM**

**PRESSURE WASHER**

**Model No.**

**919.672101**

- **Safety Guidelines**
- **Assembly**
- **Operation**
- **Maintenance**
- **Storage**
- **Troubleshooting**
- **Repair Parts**

**CAUTION:** Read the Safety Guidelines  
and All Instructions Carefully Before  
Operating.

**Sold by Sears Canada, Inc. Toronto, Ont. M5B 2B8**

# TABLE OF CONTENTS

WARRANTY	.2
SPECIFICATION CHART	.3
SAFETY GUIDELINES- DEFINITIONS	.3
CONSUMER SAFETY INFORMATION	.3
IMPORTANT SAFETY INSTRUCTIONS	.4-7
BOX CONTENTS	.7
ASSEMBLY	.8
OPERATION	.9-13
MAINTENANCE	.13-16
STORAGE	.17-18
TROUBLESHOOTING GUIDE	.18-20
REPAIR PARTS	.21-33
HOW TO ORDER REPAIR PARTS	.Back Cover

## WARRANTY

### FULL ONE YEAR WARRANTY ON PRESSURE WASHERS

If this pressure washer fails due to a defect in material or workmanship within one year from the date of purchase, RETURN IT TO THE NEAREST SEARS SERVICE CENTER THROUGHOUT CANADA AND SEARS WILL REPAIR IT, FREE OF CHARGE.

If this pressure washer is used for commercial or rental purposes, the warranty will apply for ninety days (90) from the date of purchase.

This Craftsman pressure washer warranty gives you specific legal rights and you may have other rights which vary from province to province.

**Sears Canada, Inc., Toronto, Ont. M5B 2B8**

## SPECIFICATION CHART

<b>Model No.</b>	<b>919-672101</b>
<b>Pressure Washer</b>	
Pressure	2150 PSI
Flow Rate	2.0 GPM
Cleaning Units (PSI x GPM)	4300
<b>Engine</b>	
RPM	3600
Rated Horsepower	4.0
Spark Plug Gap	.030" (0.76mm)
Gasoline Capacity	1 quart (0.95 liters)
Oil 20 oz. ( 0.6 liters) capacity	SAE 30 weight

## SAFETY GUIDELINES - DEFINITIONS

This manual contains information that is important for you to know and understand. This information relates to protecting **YOUR SAFETY** and **PREVENTING EQUIPMENT PROBLEMS**. To help you recognize this information, we use the symbols below. Please read the manual and pay attention to these symbols.

<p><b>⚠ DANGER</b> Indicates an imminently hazardous situation which, if not avoided, <b>will</b> result in <b>death</b> or <b>serious injury</b>.</p>	<p><b>⚠ CAUTION</b> Indicates a potentially hazardous situation which, if not avoided, <b>may</b> result in <b>minor</b> or <b>moderate injury</b>.</p>
<p><b>⚠ WARNING</b> Indicates a potentially hazardous situation which, if not avoided, <b>could</b> result in <b>death</b> or <b>serious injury</b>.</p>	<p><b>CAUTION</b> Used without the safety alert symbol indicates a potentially hazardous situation which, if not avoided, <b>may</b> result in <b>property damage</b>.</p>

## CONSUMER SAFETY INFORMATION

**⚠ WARNING** This product may not be equipped with a spark arresting muffler. If the product is not equipped and will be used around flammable materials, or on land covered with materials such as agricultural crops, forest, brush, grass, or other similar items, then an approved spark arrester must be installed and is legally required in the state of California. It is a violation of California statutes section 130050 and/or sections 4442 and 4443 of the California Public Resources Code, unless the engine is equipped with a spark arrester, as defined in section 4442, and maintained in effective working order. Spark arresters are also required on some U.S. Forest Service land and may also be legally required under other statutes and ordinances.

**⚠ WARNING** Engine exhaust contains chemicals known, in certain quantities, to cause cancer, birth defects or other reproductive harm.

# IMPORTANT SAFETY INSTRUCTIONS





**WARNING** Read Operators Manual. Do not operate equipment until you have read operators Manual for Safety, Assembly, Operation, and Maintenance Instructions.


*READ AND SAVE THESE INSTRUCTIONS*

HAZARD	
<div style="display: flex; justify-content: space-between; align-items: center;"> <div style="display: flex; align-items: center;"> <span style="font-weight: bold; font-size: 1.2em;">DANGER</span> </div> <div style="text-align: center;"> <p><b>RISK OF EXPLOSION OR FIRE</b></p> </div> <div style="display: flex; gap: 10px;"> </div> </div>	
WHAT CAN HAPPEN	HOW TO PREVENT IT
<ul style="list-style-type: none"> <li>Spilled gasoline and it's vapors can become ignited from cigarette sparks, electrical arcing, exhaust gases, and hot engine components such as the muffler.</li> <li>Heat will expand fuel in the tank which could result in spillage and possible fire explosion.</li> <li>Operating the pressure washer in an explosive environment could result in a fire.</li> <li>Materials placed against or near the pressure washer can interfere with its proper ventilation features causing overheating and possible ignition of the materials.</li> <li>Muffler exhaust heat can damage painted surfaces, melt any material sensitive to heat (such as siding, plastic, rubber, or vinyl), and damage live plants.</li> <li>Improperly stored fuel could lead to accidental ignition. Fuel improperly secured could get into the hands of children or other unqualified persons.</li> <li>Use of acids, toxic or corrosive chemicals, poisons, insecticides, or any kind of flammable solvent with this product could result in serious injury or death.</li> </ul>	<ul style="list-style-type: none"> <li>Shut off engine and allow it to cool before adding fuel to the tank.</li> <li>Use care in filling tank to avoid spilling fuel. Move pressure washer away from fueling area before starting engine.</li> <li>Keep maximum fuel level ½" below top of tank to allow for expansion.</li> <li>Operate and fuel equipment in well ventilated areas free from obstructions. Equip areas with fire extinguisher suitable for gasoline fires.</li> <li>Never operate pressure washer in an area containing dry brush or weeds.</li> <li>Always keep pressure washer a minimum of four feet away from surfaces (such as houses, automobiles, or live plants) that could be damaged from muffler exhaust heat.</li> <li>Store fuel in an OSHA approved container, in a secure location away from work area.</li> <li>Do not spray flammable liquids.</li> </ul>

HAZARD	
<div style="display: flex; justify-content: space-between; align-items: center;"> <div style="display: flex; align-items: center;"> <span style="font-weight: bold; font-size: 1.2em;">DANGER</span> </div> <div style="text-align: center;"> <p><b>RISK TO BREATHING</b></p> </div> <div style="text-align: center;"> </div> </div>	
WHAT CAN HAPPEN	HOW TO PREVENT IT
<ul style="list-style-type: none"> <li>Breathing exhaust fumes will cause serious injury or death!</li> <li>Some cleaning fluids contain substances which could cause injury to skin, eyes, or lungs.</li> </ul>	<ul style="list-style-type: none"> <li>Operate pressure washer in a well ventilated area. Avoid enclosed areas such as garages, basements, etc.</li> <li>Never operate unit in a location occupied by humans or animals.</li> <li>Use only cleaning fluids specifically recommended for high pressure washers. Follow manufacturers recommendations. Do not use chlorine bleach or any other corrosive compound.</li> </ul>

<b>HAZARD</b>	
<div style="display: flex; justify-content: space-between; align-items: center;"> <div style="background-color: black; color: white; padding: 5px;"><b>⚠ DANGER</b></div> <div style="text-align: center;"> <b>RISK OF INJURY OR PROPERTY DAMAGE WHEN TRANSPORTING OR STORING</b> </div> <div style="text-align: right;">  </div> </div>	
<b>WHAT CAN HAPPEN</b>	<b>HOW TO PREVENT IT</b>
<ul style="list-style-type: none"> <li>Fuel or oil can leak or spill and could result in fire or breathing hazard, serious injury or death can result. Fuel or oil leaks will damage carpet, paint or other surfaces in vehicles or trailers.</li> </ul>	<ul style="list-style-type: none"> <li>If pressure washer is equipped with a fuel shut-off valve, turn the valve to the off position before transporting to avoid fuel leaks. If pressure washer is not equipped with a fuel shut-off valve, drain the fuel from tank before transporting. Only transport fuel in an OSHA approved container. Always place pressure washer on a protective mat when transporting to protect against damage to vehicle from leaks. Remove pressure washer from vehicle immediately upon arrival at your destination.</li> </ul>

<b>HAZARD</b>	
<div style="display: flex; justify-content: space-between; align-items: center;"> <div style="background-color: black; color: white; padding: 5px;"><b>⚠ DANGER</b></div> <div style="text-align: center;"> <b>RISK TO FLUID INJECTION</b> </div> <div style="text-align: right;">  </div> </div>	
<b>WHAT CAN HAPPEN</b>	<b>HOW TO PREVENT IT</b>
<ul style="list-style-type: none"> <li>Your washer operates at fluid pressures and velocities high enough to penetrate human and animal flesh, which could result in amputation or other serious injury. Leaks caused by loose fittings or worn or damaged hoses can result in injection injuries. <b>DO NOT TREAT FLUID INJECTION AS A SIMPLE CUT!</b> See a physician immediately!</li> <li>Injuries can result if system pressure is not reduced before attempting maintenance or disassembly.</li> </ul>	<ul style="list-style-type: none"> <li>Never place hands in front of nozzle.</li> <li>Direct spray away from self and others.</li> <li>Make sure hose and fittings are tightened and in good condition. Never hold onto the hose or fittings during operation.</li> <li>Do not allow hose to contact muffler.</li> <li>Never attach or remove wand or hose fittings while system is pressurized.</li> <li>To relieve system pressure, shut off engine, turn off water supply, and pull gun trigger until water stops flowing.</li> <li>Use only hoses and accessories rated for pressure higher than your pressure washer's p.s.i.</li> </ul>

<b>HAZARD</b>	
<div style="display: flex; justify-content: space-between; align-items: center;"> <div style="background-color: black; color: white; padding: 5px;"><b>⚠ WARNING</b></div> <div style="text-align: center;"> <b>RISK OF CHEMICAL BURN</b> </div> <div style="text-align: right;">  </div> </div>	
<b>WHAT CAN HAPPEN</b>	<b>HOW TO PREVENT IT</b>
<ul style="list-style-type: none"> <li>Use of acids, toxic or corrosive chemicals, poisons, insecticides, or any kind of flammable solvent with this product could result in serious injury or death.</li> </ul>	<ul style="list-style-type: none"> <li>Do not use acids, gasoline, kerosene, or any other flammable materials in this product. Use only household detergents, cleaners and degreasers recommended for use in pressure washers.</li> <li>Wear protective clothing to protect eyes and skin from contact with sprayed materials.</li> </ul>

## HAZARD

**DANGER****RISK OF UNSAFE OPERATION**

WHAT CAN HAPPEN	HOW TO PREVENT IT
<ul style="list-style-type: none"> <li>Unsafe operation of your pressure washer could lead to serious injury or death to you or others.</li> </ul>	<ul style="list-style-type: none"> <li>Do not use chlorine bleach or any other corrosive compound.</li> <li>Become familiar with the operation and controls of the pressure washer.</li> <li>Keep operating area clear of all persons, pets, and obstacles.</li> <li>Do not operate the product when fatigued or under the influence of alcohol or drugs. Stay alert at all times.</li> <li>Never defeat the safety features of this product.</li> <li>Do not operate machine with missing, broken, or unauthorized parts.</li> <li>Never leave wand unattended while unit is running.</li> </ul>
<ul style="list-style-type: none"> <li><b>If proper starting procedure is not followed, engine can kickback causing serious hand and arm injury.</b></li> </ul>	<ul style="list-style-type: none"> <li><b>If engine does not start after two pulls, squeeze trigger of gun to relieve pump pressure. Pull starter cord slowly until resistance is felt. Then pull cord rapidly to avoid kickback and prevent hand or arm injury.</b></li> </ul>
<ul style="list-style-type: none"> <li>The spray gun/wand is a powerful cleaning tool that could look like a toy to a child.</li> </ul>	<ul style="list-style-type: none"> <li>Keep children away from the pressure washer at all times.</li> </ul>
<ul style="list-style-type: none"> <li>Reactive force of spray will cause gun/wand to move, and could cause the operator to slip or fall, or misdirect the spray. Improper control of gun/wand can result in injuries to self and others.</li> </ul>	<ul style="list-style-type: none"> <li>Do not overreach or stand on an unstable support. Grip gun/wand firmly with both hands. Expect the gun to kick when triggered.</li> </ul>

## HAZARD

**WARNING****RISK OF ELECTRICAL SHOCK**

WHAT CAN HAPPEN	HOW TO PREVENT IT
<ul style="list-style-type: none"> <li>Spray directed at electrical outlets or switches, or objects connected to an electrical circuit, could result in a fatal electrical shock.</li> </ul>	<ul style="list-style-type: none"> <li>Unplug any electrically operated product before attempting to clean it. Direct spray away from electric outlets and switches.</li> </ul>

## HAZARD

**WARNING****RISK OF HOT SURFACES**

WHAT CAN HAPPEN	HOW TO PREVENT IT
<ul style="list-style-type: none"> <li>Contact with hot surfaces, such as engines exhaust components, could result in serious burn.</li> </ul>	<ul style="list-style-type: none"> <li>During operation, touch only the control surfaces of the pressure washer. Keep children away from the pressure washer at all times. They may not be able to recognize the hazards of this product.</li> </ul>

**HAZARD**

**⚠ WARNING RISK OF INJURY FROM SPRAY**



**WHAT CAN HAPPEN**

- High velocity fluid spray can cause objects to break, propelling particles at high speed.
- Light or unsecured objects can become hazardous projectiles.

**HOW TO PREVENT IT**

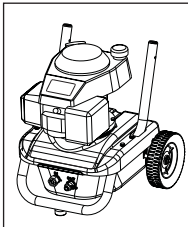
- Always wear ANSI approved Z87 safety glasses. Wear protective clothing to protect against accidental spraying.
- Never point wand at, or spray people or animals.
- Always secure trigger lock when wand is not in service to prevent accidental operation.
- Never permanently secure trigger in pull back (open) position.

**⚠ CAUTION**

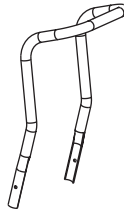
The powerful spray from your pressure washer is capable of causing damage to surfaces such as wood, glass, automobile paint, auto striping and trim, and delicate objects such as flowers and shrubs. Before spraying, check the item to be cleaned to assure yourself that it is strong enough to resist damage from the force of the spray. Avoid the use of the concentrated spray stream except for very strong surfaces like concrete and steel.

Operating without flow of water will result in equipment damage. Operating the pressure washer with water supply shutoff will void your warranty. You should never run this pressure washer for more than 2 minutes without pulling the trigger to allow cool water to enter the pump and the heated (recirculated) water to exit.

**BOX CONTENTS**



Engine Frame and Wheel Assembly



Handle Part No. D22316

English/ French Operator's Manual	Knobs Part No. 16471
	Saddle Bolts Part No. D23196
Allen Wrench Part No. 16797 Cleaning Tool Part No. NCT001	Nozzle Cleaning Kit

Bagged Parts



High Pressure Hose Part No. D22166



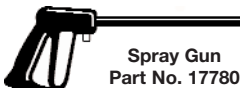
Chemical Hose Part No. H140



Accessories Panel Part No. D25081 with Screws Part No. D22901



Engine Oil



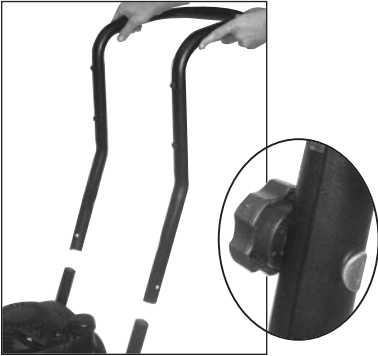
Spray Gun Part No. 17780



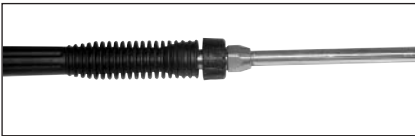
Multi-Adjustable Spray Wand Part No. D22837

## ASSEMBLY

1. Place handle assembly onto frame and connect handle to frame.  
**NOTE:** Knobs are assembled to inside of frame.



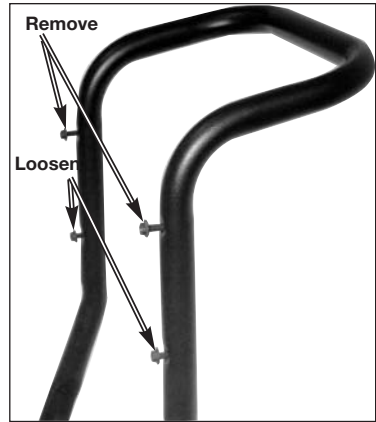
2. Connect wand to gun. Tighten securely.



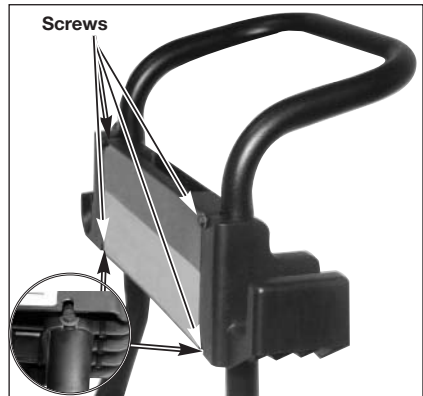
3. Attach high pressure hose to gun. Tighten securely.



5. To Assemble Accessories Panel
  - a. Remove top screws on handle assembly.
  - b. Loosen bottom screws on handle assembly.



- c. Place grooves in accessories panel assembly onto screws and slide panel assembly into place.

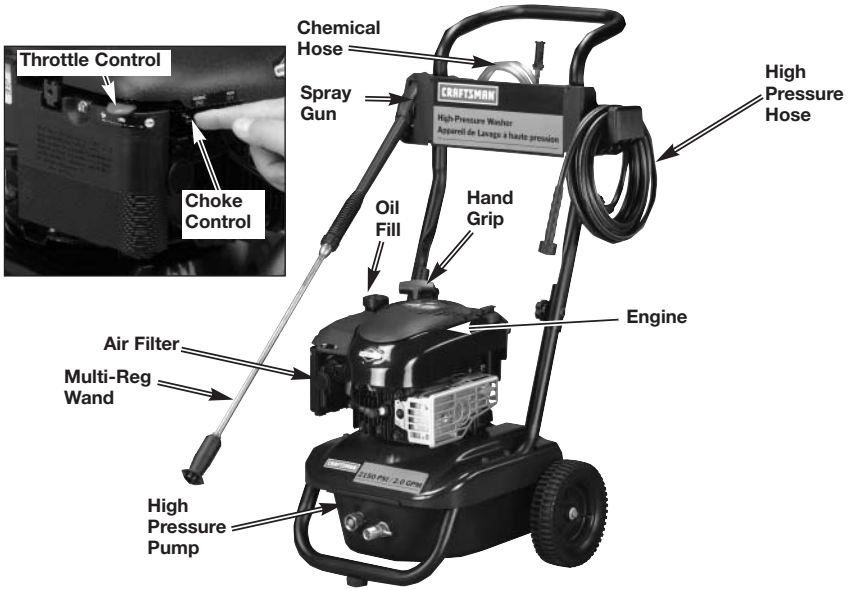


- d. Place screws (removed earlier) into the top holes and secure accessories panel assembly to handles. Do not overtighten.



# OPERATION

READ THIS OWNER'S MANUAL AND SAFETY RULES BEFORE OPERATING YOUR UNIT. Compare the illustrations with your unit to familiarize yourself with the location of various controls and adjustments. Save this manual for future reference.



## PRESSURE WASHER

**High Pressure Pump (located inside the shroud):** Increases the pressure of the water supply.

**Engine:** Drives the high pressure pump.

**High Pressure Hose:** Carries the pressurized water from the pump to the gun and spray wand.

**Spray Gun:** Connects with spray wand to control water flow rate, direction, and pressure.

**Multi-Adjustable Spray Wand:** Has a spray nozzle which adjusts from a pencil stream (0°) to a wide angle fan spray (40°). The spray can be adjusted by twisting the nozzle clockwise and/or counterclockwise. Also, the high and low pressure settings can be controlled by moving the nozzle in and out. See How To Use Spray Wand paragraph in this section.

**Chemical Hose:** Feeds cleaning agents into the pump to mix with the pressurized water. See How To Apply Chemicals/Cleaning Solvents in Operation section of this manual.

## ENGINE

**Choke Control:** Opens and closes carburetor choke valve

**Throttle Control Lever:** Controls engine speed.

**Starter Grip:** Pulling starter grip operates recoil starter to crank engine.

## PRESSURE WASHER TERMINOLOGY

**PSI:** Pounds per Square Inch. The unit of measure for water pressure. Also used for air pressure, hydraulic pressure, etc.

**GPM:** Gallons Per Minute. The unit of measure for the flow rate of water.

**CU:** Cleaning Units. GPM multiplied by PSI.

**Bypass Mode:** In Bypass Mode, the pump is recirculating water because the trigger of the spray gun is not pulled. If unit is left in bypass mode for more than two (2) minutes, the water temperature will rise to a dangerous level and could damage internal components of the pump. Any damage to pump due to these causes will not be covered under warranty.

**CAUTION** **DO NOT allow your unit to operate in**

**bypass mode for more than two minutes at any time. Overheating of pump can cause damage to pump.**

**Thermal Relief Valve:** In an effort to prevent extreme damage, pumps are equipped with a thermal relief valve. This valve will open when the temperature inside the pump rises too high. This valve will then release a gush of water in an effort to lower the temperature inside the pump. Immediately after this occurs, the valve will close. The thermal relief valve is part of the pump and is not visible to the user.

**Chemical Injection System:** Mixes cleaners or cleaning solvents with the water to improve cleaning effectiveness.

**Water Supply:** All pressure washers must have a source of water. The minimum requirements for a water supply are 20 PSI and 5 gallons per minute.

## HOW TO USE

**IMPORTANT:** Read and understand how to use the pressure washer before operating.

## TO ADJUST PRESSURE

The pressure setting is preset at the factory to achieve optimum pressure and cleaning. If you need to lower the pressure, it can be accomplished by these methods.

1. Back away from the surface to be cleaned. The further away you are, the less the pressure will be on the surface to be cleaned.
2. Rotate the nozzle at the end of the multi-adjustable spray wand to widen the fan spray. The wider fan spray will minimize the pressure on the surface to be cleaned.

**CAUTION** **DO NOT attempt to increase pump pressure. A higher pressure setting than the factory set pressure may damage pump.**

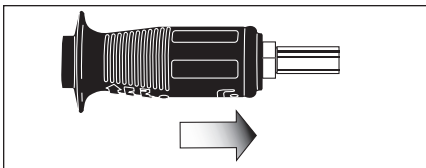
## HOW TO USE SPRAY WAND:

Your pressure washer is equipped with a multi-adjustable spray wand with both high and low pressure settings. The high pressure setting is for cleaning and rinsing, the low pressure setting is for applying chemicals or cleaning solutions to surfaces.

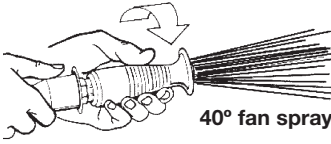
**DANGER** **When using the high pressure setting, DO NOT allow the jet-like spray to come in contact with unprotected skin, eyes, or with any pets or animals. Serious injury can occur.**

**WARNING** **Risk of injection or injury to person. DO NOT direct discharge stream toward persons.**

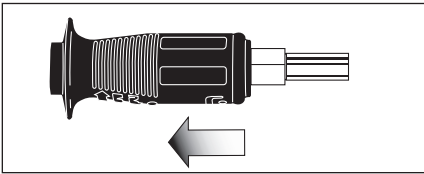
For high pressure operation, pull back the nozzle of the multi-adjustable spray wand as shown.



The nozzle at the end of the multi-adjustable spray wand can be rotated to change the high pressure spray pattern from a narrow jet to a 40° fan shape, as shown. Markings have been placed on the nozzle to help you select the spray pattern.



For low pressure operation, extend the nozzle of the multi-adjustable spray wand as shown.



## HOW TO APPLY CHEMICALS AND CLEANING SOLVENTS

Applying chemicals or cleaning solvents is a low pressure operation.

**NOTE:** Use only soaps and chemicals designed for pressure washer use. Do not use bleach.

1. Press chemical hose onto barbed fitting located near high pressure hose connection of pump as shown.



2. Place other end of chemical hose with filter on it into container holding chemical/cleaning solution. **NOTE:** The chemical/water ratio is 7:1, for every 7 gallons of water pumped 1 gallon of chemical/cleaning solution will be used.
3. Set multi-adjustable nozzle to low pressure setting. See How To Use Wand paragraph in this section.
4. After use of chemicals, place chemical hose into container of clean water and draw clean water through chemical injection system to rinse system thoroughly. If chemicals remain in the pump it could be damaged. Pumps damaged due to chemicals will not be covered under warranty.

**NOTE:** Chemicals and soaps will not siphon when spray wand is in the high pressure setting.

## TO SHUT DOWN

**IMPORTANT:** Read and understand how to shut down the pressure washer before operating.

1. If you have applied chemicals, place chemical hose into container of clean water and draw clean water through chemical injection system to rinse system thoroughly. **NOTE:** Failure to do so could cause damage to the pump.
2. Turn engine off by placing the throttle control in the STOP position.

**NOTE:** NEVER turn the water off with the engine running.

3. Turn water source off.
4. Pull trigger on spray gun to relieve any water pressure in hose or spray gun.
5. See Storage section in this manual for proper storage procedures.

## BEFORE STARTING

Read and understand all Important Safety Instructions in the front of this manual and the following Cautions and Warnings before starting the pressure washer.

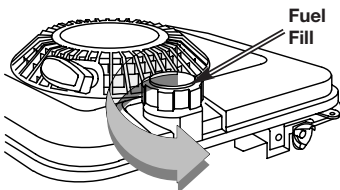
### ⚠ WARNING

- Never fill fuel tank completely. Fill tank to 1/2" below bottom of filler neck to provide space for fuel expansion. Wipe any fuel spillage from engine and equipment before starting engine.
- Never fill fuel tank indoors. Never fill fuel tank when engine is running or hot. Do not smoke when filling fuel tank.
- Never run engine indoors or in enclosed, poorly ventilated areas. Engine exhaust contains carbon monoxide, an odorless and deadly gas.

### CAUTION

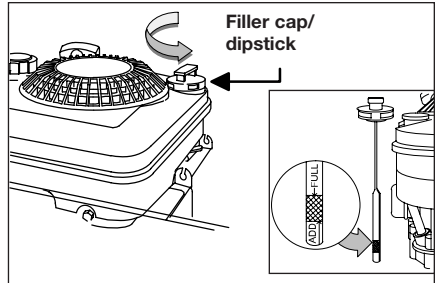
- Never turn water supply off while pressure washer engine is running or damage to pump will result.
- DO NOT use hot water, use cold water only.
- DO NOT stop spraying water for more than two minutes at a time.

**NOTE:** Remove and discard blue plug in fuel fill.

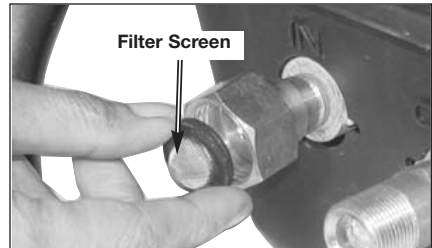


1. In a well ventilated outdoor area add fresh, high quality, unleaded gasoline with a pump octane rating of 86 or higher. Do not overfill. Wipe up spilled fuel before starting the engine.

2. Remove filler cap/dipstick and add engine oil (supplied) to engine. **NOTE:** There will be a slight amount of oil in the engine from factory testing. Always check oil level before each start-up.
3. Oil level should be at the FULL line on dipstick. Always check oil level before each start-up.

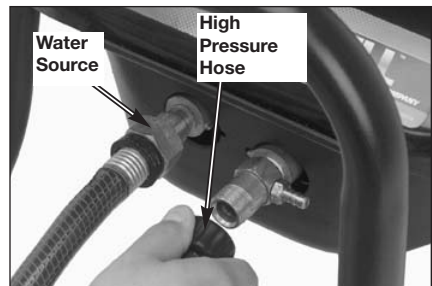




4. Verify the filter screen is in water inlet of pump. **NOTE:** Cone side faces out.

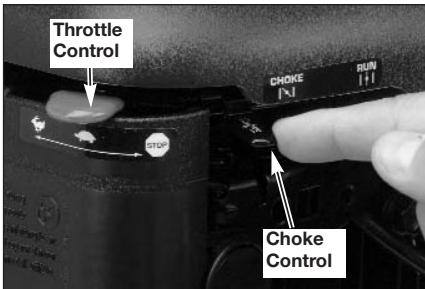


5. Connect high pressure hose to pump outlet.
6. Connect water source to pump inlet.

**NOTE:** Water source must provide a minimum of 5 gallons per minute at 20 p.s.i.



7. If you are applying a chemical or cleaning solution, See **How To Siphon Chemicals/Cleaning Solvents** in Operation section of this manual.
  8. Turn water source on.
- NOTE:** Failure to do so could cause damage to the pump.
9. Move the choke control lever to the CHOKE ON  position and the throttle control to the FAST  position. **NOTE:** No choke is needed to start a warm engine.



10. Pull starter grip slowly until you feel resistance, then pull briskly. Return starter grip gently. Pull rope with a rapid full arm stroke. Let rope rewind slowly. Repeat if necessary.

**⚠ WARNING** If the engine does not start after two pulls, pull the trigger to relieve the pressure.

11. If the choke was used to start the engine, move the choke lever to the OFF position.
12. Depress trigger on gun to start water flow. **NOTE: Stand on a stable surface** and grip gun/spray wand firmly with both hands. Expect the gun to kick back when triggered.
13. Release trigger to stop water flow.
14. Adjust nozzle spray for the task being performed. See **How To Use Spray Wand** instructions in this section.

**⚠ WARNING** DO NOT let hoses come in contact with very hot engine muffler during or immediately after use of your pressure washer.

## MAINTENANCE

**⚠ WARNING** When performing maintenance, you may be exposed to hot surfaces, water pressure, or moving parts that can cause serious injury or death! Before performing any maintenance or repair, disconnect spark plug wire, let engine cool and release all water pressure. The engine contains flammable fuel. **DO NOT** smoke or work near open flames while performing maintenance.

To ensure efficient operation and longer life of your pressure washer, a routine maintenance schedule should be prepared and followed. If the pressure washer is used in unusual conditions, such as high-temperatures or dusty conditions, more frequent maintenance checks will be required.

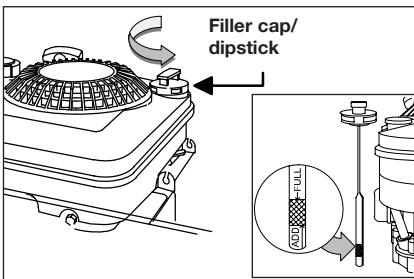
## CUSTOMER RESPONSIBILITIES TABLE

MAINTENANCE TASK	Before each use	Every 25 hours or yearly	Every 50 hours or yearly	Every 100 hours or yearly
<b>ENGINE</b>				
check oil level	X			
change oil			X*	
check air cleaner		X**		
clean/replace spark plug				X
clean debris	X			
clean air cooling system				X
clean combustion chamber				X
<p>* <b>Change oil after first 5 to 8 hours of use</b>, then every 50 hours or every season. Change oil every 25 hours when operating the engine under heavy load or in high temperatures.</p> <p>** Clean more often under conditions of dust or airborne debris. Replace air cleaner parts, if very dirty.</p>				
<b>PRESSURE WASHER</b>				
check/clean inlet screen	X			
check high pressure hose	X			
check soap and chemical hose and filter	X			
check gun and wand for leaks	X			
prepare for storage	Prepare unit for storage if it is to remain idle for longer than 30 days			

## ENGINE

### To Check Oil

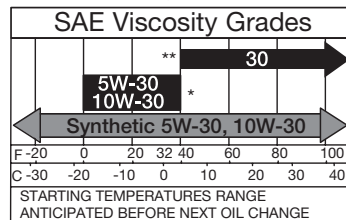
1. Shut down engine and place on a level surface.
2. Remove filler cap/dipstick and wipe it clean.
3. Replace and tighten dipstick. Remove and check oil level.
4. Oil level should be at the FULL line on dipstick.



5. If needed, add oil slowly and recheck. Do not over fill.

**NOTE:** Use a high quality detergent oil classified "For Service SF, SG, SH, SJ" or higher, such as SAE 30.

**NOTE:** Other viscosities shown in the chart may be used when the average temperature in your area is within the recommended range.

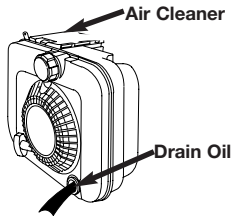


6. Replace filler cap/dipstick.

## To Change Oil

Drain the engine oil when the engine is warm. Warm oil drains quickly and completely.

1. Before tipping engine or equipment to drain oil, drain fuel from tank by running engine until fuel tank is empty.
2. Disconnect spark plug wire and keep it away from spark plug.
3. With engine OFF but still warm remove filler cap/dipstick.
4. Place a suitable container next the engine to catch the used oil.
5. Keeping air cleaner above oil outlet, drain oil.



**NOTE:** Please dispose of used motor oil in a manner that is compatible with the environment. It is recommended to take used oil in a sealed container to your local recycling center or service station for reclamation. Do not throw it in the trash or pour it on the ground or down a drain.

6. With the engine in a level position, fill to the FULL line on the dipstick with SAE 10W-30 oil. Engine oil capacity is 20 oz. (0.6 liter).

**NOTE:** Other viscosities shown in the chart in the "To Check Oil" paragraph may be used.

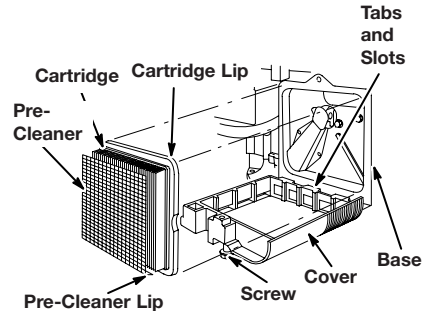


7. Replace the oil filler cap/dipstick securely.

## Air Cleaner

### To Remove

1. Loosen screw and tilt cover down.
2. Remove air cleaner.
3. Reinstall clean (or new) air cleaner assembly inside cover. Lip of pre-cleaner must be at bottom of cartridge pleats.
4. Insert cover's tabs into slots in bottom of base.
5. Tilt cover up into place and tighten screw.



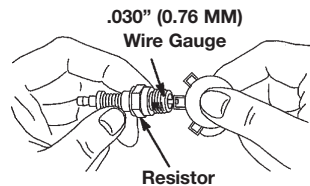
### To Clean

Separate pre-cleaner from cartridge and wash in liquid detergent and water. Air dry thoroughly. Do not oil. Reassemble dry pre-cleaner on clean cartridge.

Do not use pressurized air or solvents to clean cartridge. Pressurized air can damage cartridge; solvents will dissolve cartridge.

## Clean and Replace Spark Plug

Change the spark plug every 100 hours of operation or once each year, whichever comes first. This will help your engine to start easier and run better.



## Cleaning Debris

Engine parts should be kept clean to reduce the risk of overheating and ignition of accumulated debris.

**NOTE:** Do not use water to clean engine parts. Water could contaminate fuel system. Use a brush or dry cloth.

## Air Cooling System

Over time debris may accumulate in cylinder cooling fins and cannot be observed without partial engine disassembly. For this reason an Authorized Warranty Service Center should clean the air cooling system per recommended intervals.

## Combustion Deposits

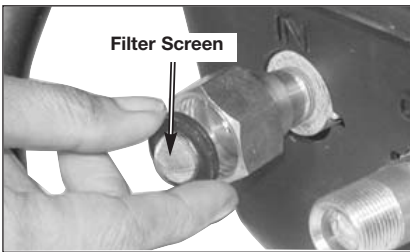
Every 100-300 hours an Authorized Warranty Service Center should remove combustion deposits from the cylinder, cylinder head, top of piston, and around valves.

## PUMP

This screen filter should be checked periodically and cleaned if necessary.

1. Remove filter by grasping end and removing it from water inlet of pump as shown.
2. Clean filter by flushing it with water on both sides.
3. Re-insert filter into water inlet of pump. **NOTE:** Cone side faces out.

**NOTE:** Do not operate pressure washer without filter properly installed.



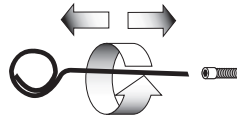
## WAND

If the nozzle becomes clogged with foreign materials, such as dirt, excessive pressure may develop. If the nozzle becomes partially clogged or restricted, the pump pressure will pulsate. Clean the nozzle immediately using the nozzle kit supplied and the following instructions:

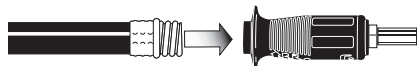
1. Shut off the pressure washer and turn off the water supply.
2. Disconnect spark plug wire.
3. Pull trigger on gun handle to relieve any water pressure.
4. Disconnect the wand from the gun.
5. Remove the nozzle from the end of the wand with the 2mm allen wrench provided as shown.



6. Clean the nozzle using the nozzle cleaner provided or a straightened paper clip. Insert into the nozzle end and work back and forth until obstruction is removed.



7. Direct water supply into nozzle end to backflush loosened particles for 30 seconds.



8. Reconnect spark plug wire.
9. Reassemble the nozzle to the wand. Tighten securely to prevent leaks.
10. Reconnect wand to gun and turn on water supply.
11. Start pressure washer and place wand into high pressure setting to test.



# STORAGE

## ENGINE

**IMPORTANT:** It is important to prevent gum deposits from forming in essential fuel system parts such as the carburetor, fuel filter, hose or tank during storage. Also, experience indicates that alcohol-blended fuels (called gasohol or using ethanol or methanol) can attract moisture which leads to separation and formation of acids during storage. Acidic gas can damage the fuel system of an engine while in storage. To avoid engine problems, the fuel system should be emptied before storage of 30 days or longer. Never use engine or carburetor cleaner products in the fuel tank or permanent damage may occur.

### Engine Preparation

1. First add a fuel stabilizer to the fuel tank.
2. Run pressure washer for a full 5 minutes to allow fuel stabilizer to enter the fuel system.

**⚠ CAUTION** While preparing the engine make sure water supply is turned on and flowing to the unit. NEVER run unit without water supply running through pump. Failure to do so will cause pump damage.

3. Next shut off engine and disconnect the water supply.
4. Disconnect the spark plug wire and remove the spark plug.
5. Add one teaspoon of oil through the spark plug hole.
6. Place rag over spark plug hole and pull the recoil a few times to lubricate the combustion chamber.
7. Replace the spark plug, but do not connect the spark plug wire.

## PUMP

1. Drain all water from high pressure hose, coil it, and store it in cradle of the pressure washer handle.
2. Drain all water from spray gun and spray wand by holding spray gun in a vertical position with nozzle end pointing down and squeezing trigger. Store in gun/hose holder.
3. Store chemical hose, high pressure hose, spray gun, and spray wand so they are protected from damage, such as being run over.

It is recommended that you follow these steps to protect the internal seals of the pressure washer when **STORING THE UNIT FOR MORE THAN 30 DAYS AND/OR WHEN FREEZING**

**TEMPERATURES ARE EXPECTED.**

\*RV antifreeze needs to be run through the pump as outlined in the steps below.

4. Obtain a funnel, six ounces of \*RV antifreeze, and approximately 36 inches of garden hose with a male hose connector attached to one end.

**⚠ CAUTION** Use only RV antifreeze. Any other antifreeze is corrosive and can damage pump.



5. Disconnect spark plug wire.

6. Connect 36 inch length of hose to water inlet of pump.
  7. Add \*RV antifreeze to hose as shown.
  8. Pull engine starter rope slowly several times until antifreeze comes out of high pressure hose connection of pump.
  9. Remove short hose from water inlet of pump.
  10. Reconnect spark plug wire.
- \* *Windshield washer fluid may also be used*

## TROUBLESHOOTING GUIDE

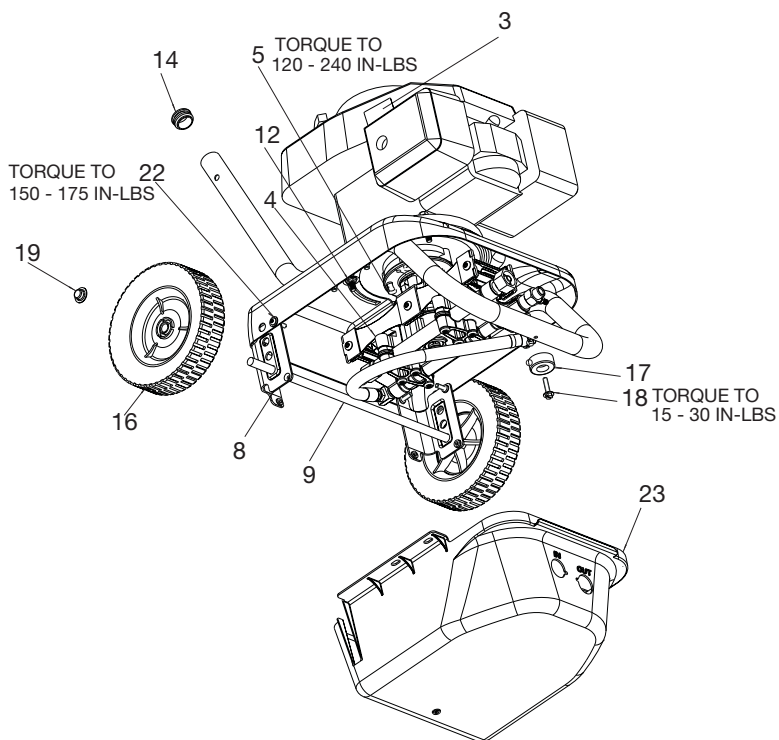
PROBLEM	CAUSE	CORRECTION
Engine will not start	<ol style="list-style-type: none"> <li>1. No fuel.</li> <li>2. Pressure builds up after two pulls on the recoil starter or after initial use.</li> <li>3. Choke lever in the "No Choke" position.</li> <li>4. Spark plug wire not attached.</li> <li>5. Choke lever in the "Choke" position on a "hot" engine or an engine that has been exposed to thermal heat for a long period of time.</li> </ol>	<ol style="list-style-type: none"> <li>1. Add Fuel.</li> <li>2. Squeeze gun trigger to relieve pressure.</li> <li>3. Move choke to the "Choke" position.</li> <li>4. Attach spark plug wire.</li> <li>5. Move choke to the "No Choke" position.</li> </ol>
No or low pressure (initial use)	<ol style="list-style-type: none"> <li>1. Wand not in high pressure.</li> <li>2. Low water supply.</li> <li>3. Leak at high pressure hose fitting.</li> <li>4. Nozzle obstructed.</li> <li>5. Water filter screen clogged.</li> </ol>	<ol style="list-style-type: none"> <li>1. See How to Use Spray Wand paragraph in the Operation Section.</li> <li>2. Water supply must be at least 5 GPM @ 20 PSI.</li> <li>3. Tighten. Apply sealant tape if necessary.</li> <li>4. See Spray Wand paragraph in the Maintenance section for the correct procedure.</li> <li>5. Remove and clean filter.</li> </ol>

<b>PROBLEM</b>	<b>CAUSE</b>	<b>CORRECTION</b>
<p>No or low pressure (initial use) (continued)</p>	<p>6. Air in hose.</p> <p>7. Choke lever in the "Choke" position.</p> <p>8. Throttle control lever is not in the "Fast" position.</p> <p>9. High pressure hose is too long.</p>	<p>6. Turn off the engine, then the water source. Disconnect the water source from the pump inlet and turn the water source on to remove all air from the hose. When there is a steady stream of water present, turn water source off. Reconnect water source to pump inlet and turn on water source. Squeeze trigger to remove remaining air.</p> <p>7. Move choke to the "No Choke" position.</p> <p>8. Move throttle control lever to the "Fast" position.</p> <p>9. Use high pressure hose under 100 feet.</p>
<p>Will not draw chemicals</p>	<p>1. Wand not in low pressure.</p> <p>2. Chemical filter clogged.</p> <p>3. Chemical screen not in chemical</p> <p>4. Chemical too thick</p> <p>5. Pressure hose is too long</p> <p>6. Chemical build up in chemical injector.</p>	<p>1. See Spray Wand paragraph in the Maintenance section for the correct procedure.</p> <p>2. Clean filter.</p> <p>3. Insure end of chemical hose is fully submerged into chemical.</p> <p>4. Dilute chemical. Chemical should be the same consistency as water.</p> <p>5. Lengthen water supply hose instead of high pressure hose.</p> <p>6. Have parts cleaned or replaced by AWSC.</p>

<b>PROBLEM</b>	<b>CAUSE</b>	<b>CORRECTION</b>
<b>No or low pressure (after period of normal use.)</b>	<ol style="list-style-type: none"> <li>1. Worn seal or packing.</li> <li>2. Worn or obstructed valves.</li> <li>3. Worn unloader piston.</li> </ol>	<ol style="list-style-type: none"> <li>1. Have replaced by AWSC.</li> <li>2. Have replaced by AWSC.</li> <li>3. Have replaced by AWSC.</li> </ol>
<b>Water leaking at gun/wand connection</b>	<ol style="list-style-type: none"> <li>1. Worn or broken o-ring.</li> <li>2. Loose hose connection.</li> </ol>	<ol style="list-style-type: none"> <li>1. Check and replace.</li> <li>2. Tighten.</li> </ol>
<b>Water leaking at pump</b>	<ol style="list-style-type: none"> <li>1. Loose connections.</li> <li>2. Piston packings worn.</li> <li>3. Worn or broken o-rings.</li> <li>4. Pump head or tubes damaged from freezing.</li> </ol>	<ol style="list-style-type: none"> <li>1. Tighten.</li> <li>2. Have replaced by AWSC.</li> <li>3. Have replaced by AWSC.</li> <li>4. Have replaced by AWSC.</li> </ol>
<b>Pump Pulsates</b>	<ol style="list-style-type: none"> <li>1. Nozzle obstructed.</li> </ol>	<ol style="list-style-type: none"> <li>2. See Spray Wand paragraph in the Maintenance section for the correct procedure.</li> </ol>

# REPAIR PARTS

## Pressure Washer Model Number 919.672101

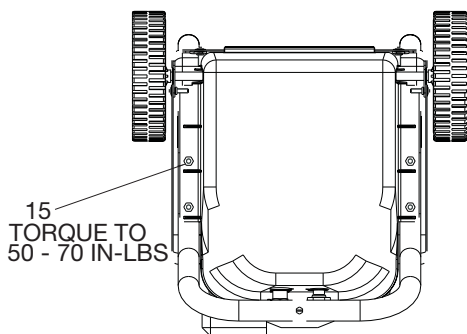
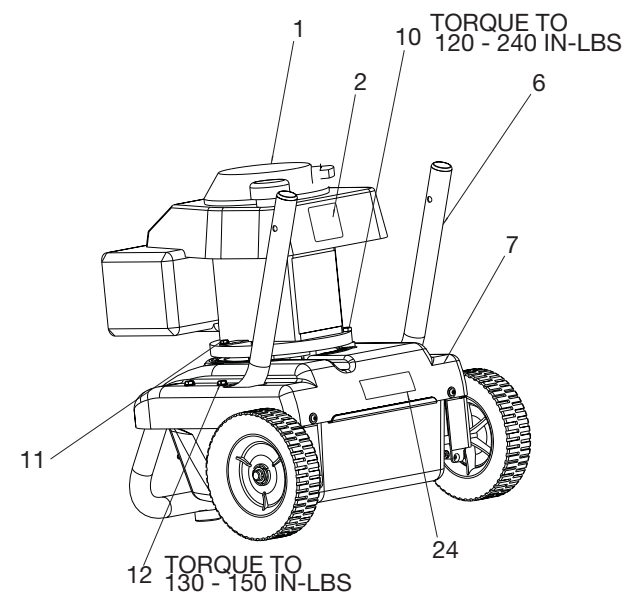


<b>Key#</b>	<b>Part #</b>	<b>Description</b>
3	D23125	Label, Hot Surface
4	*	Pump Kit
5	D27152	Screw, 5/16-24 x .75
8	D22305	Wheel Bracket
9	D22206	Axle
13	16087	Nut, Flange
14	D22267	Plug
16	D22275	Tire
17	D22268	Isolator
18	D23208	Screw, 1/4-20
19	W137	Pal Nut
22	D23208	Screw 1/4-20 x .75
23	D21630	Pump Shroud

\* See Breakdown for individual Parts

# REPAIR PARTS

## Pressure Washer Model Number 919.672101



Key#	Part #	Description
1	*	Engine, Briggs & Stratton
2	17050	Label, Danger
6	D22908	Frame
7	D25074	Base
10	D22906	Screw, 5/16-18 x 1.25 (qty 2)
11	D23186	Screw, 5/16-18 x 2.25 (qty 1)
12	D22308	Screw, 5/16-18 x 2
15	D22692	Nut, 5/16-18
24	D25087	Label, Warning

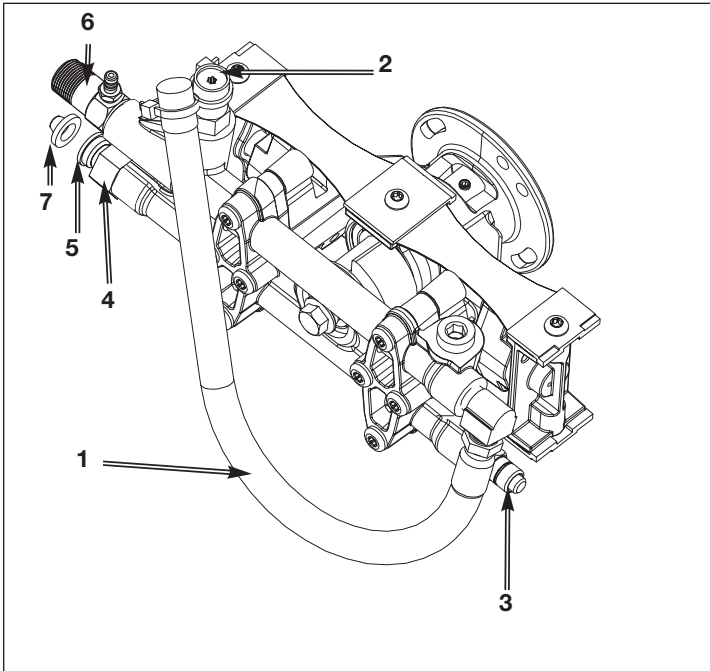
### **Not Shown**

D28236 Manual, Owners

\* See Breakdown for individual Parts

# REPAIR PARTS

## Pressure Pump Model Number D28703



<b>Key#</b>	<b>Part #</b>	<b>Description</b>
1	D20998	Hose, 3/8 x 18"
2	16355	Unloader Assembly
3	16848	Thermal Relief Valve
4	H061	Swivel Nut, Garden Hose
5	H068	Swivel, 3/8"
6	V161	Chemical Injector
7	F187	Inlet ScreenFilter

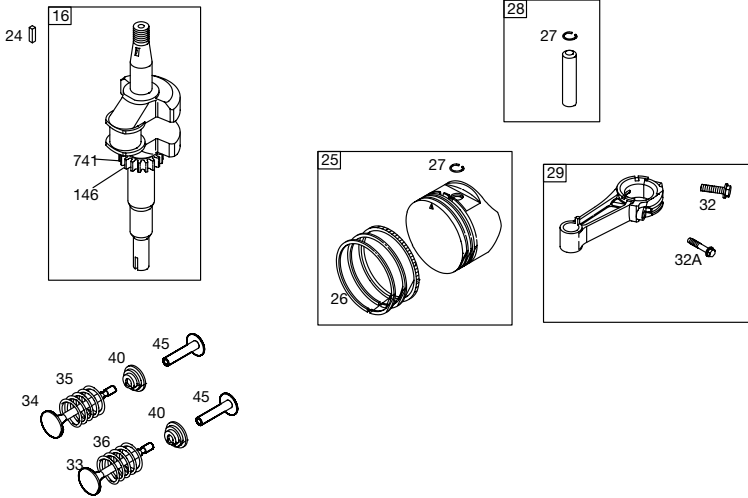
**Not Shown:**  
H140 Chemical Hose,





# REPAIR PARTS

## Briggs & Stratton Engine Model Number 128812-3112-D1



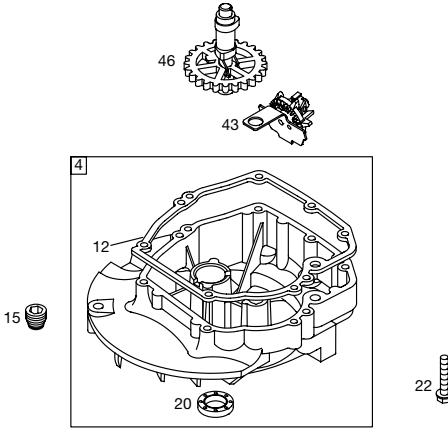
Key#	Part#	Description	Key#	Part#	Description
16	691455	Crankshaft	29	499424	Rod-Connecting (Standard)
24	222698	Key-Flywheel	32	691664	Screw (Connecting Rod)
25	499429	Piston Assembly (Standard)	32A	695759	Screw (Connecting Rod)
<b>Note</b>			33	262651	Valve-Exhaust
499430		Piston Assembly (.010" Oversize)	34	262652	Valve-Intake
499431		Piston Assembly (.020" Oversize)	35	691270	Spring-Valve (Intake)
499432		Piston Assembly (.030" Oversize)	36	691270	Spring-Valve (Exhaust)
26	499425	Ring Set (Standard)	40	692194	Retainer-Valve
<b>Note</b>			45	690548	Tappet-Valve
499426		Ring Set (.010" Oversize)	146	690979	Key-Timing
499427		Ring Set (.020" Oversize)	741	691830	Gear-Timing
499428		Ring Set (.030" Oversize)			
27	691866	Lock-Piston Pin			
28	499423	Pin-Piston (Standard)			

- ★ Included in Engine Gasket Set-See Ref. No. 358.
- ◆ Included in Carburetor Overhaul Kit-See Ref. No. 121.
- Included in Carburetor Gasket Set-See Ref. No. 977.

**Assemblies include all parts shown in frames.**

# REPAIR PARTS

## Briggs & Stratton Engine Model Number 128812-3112-D1



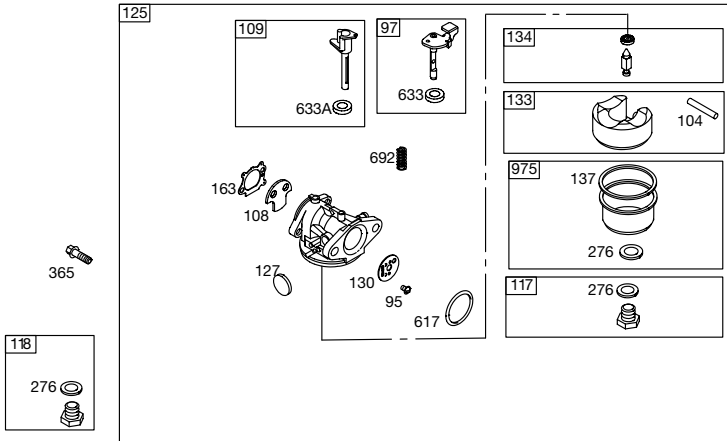
<b>Key#</b>	<b>Part#</b>	<b>Description</b>	<b>Key#</b>	<b>Part#</b>	<b>Description</b>
4	498983	Sump-Engine	20	★ 399781	Seal-Oil (PTO Side)
12	★ 692232	Gasket-Crankcase	22	691092	Screw (Engine Sump)
15	691680	Plug-Oil Drain	43	691997	Slinger-Governor/Oil
			46	691449	Camshaft

- ★ Included in Engine Gasket Set-See Ref. No. 358.
- ◆ Included in Carburetor Overhaul Kit-See Ref. No. 121.
- Included in Carburetor Gasket Set-See Ref. No. 977.

**Assemblies include all parts shown in frames.**

# REPAIR PARTS

**Briggs & Stratton Engine Model Number 128812-3112-D1**



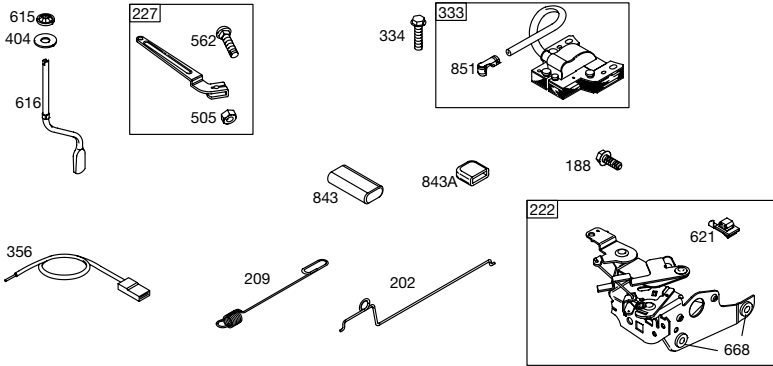
<u>Key#</u>	<u>Part#</u>	<u>Description</u>	<u>Key#</u>	<u>Part#</u>	<u>Description</u>
95	691636	Screw (Throttle Valve)	137	693981	Gasket-Float Bowl
97	493267	Shaft-Throttle	163	272653	Gasket-Air
104 ●	691242	Pin-Float Hinge		Cleaner	
108	691182	Valve-Choke	276	271716	Washer-Sealing
109	498593	Shaft-Choke	365	692524	Screw (Carburetor)
117	498978	Jet-Main (Standard)	617	270344	Seal-O Ring (Intake Manifold)
118	498975	Jet-Main (High Altitude)	633	691321	Seal- Choke/Throttle Shaft
125	499059	Carburetor	633A	693867	Seal- Choke/Throttle Shaft
127 ●	694468	Plug-Welch	692	690572	Spring-Detent
130	691203	Valve-Throttle	975	493640	Bowl-Float
133	398187	Float-Carburetor			
134 ●	398188	Kit-Needle/Seat			

- ★ Included in Engine Gasket Set-See Ref. No. 358.
- ◆ Included in Carburetor Overhaul Kit-See Ref. No. 121.
- Included in Carburetor Gasket Set-See Ref. No. 977.

**Assemblies include all parts shown in frames.**

# REPAIR PARTS

## Briggs & Stratton Engine Model Number 128812-3112-D1



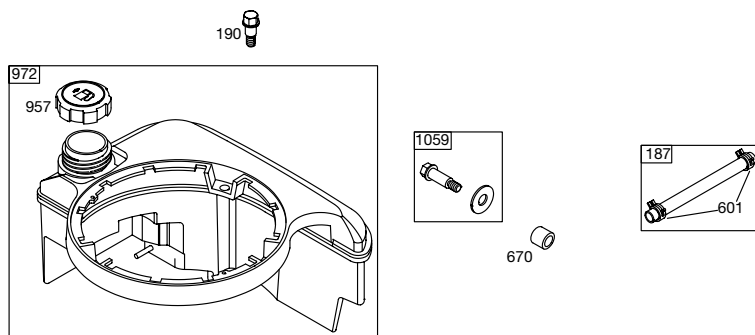
<u>Key#</u>	<u>Part#</u>	<u>Description</u>	<u>Key#</u>	<u>Part#</u>	<u>Description</u>
188	690877	Screw (Control Bracket)	562	92613	Bolt (Governor Control Lever)
202	691829	Link-Mechanical Governor	615	690340	Shaft-Retainer Governor
209	691291	Spring-Governor	616	691308	Crank-Governor
222	692150	Bracket-Control	621	692310	Switch-Stop
227	690783	Lever-Governor Control	668 ★	493823	Spacer (Includes 2)
333	802574	Armature-Magneto	843	691895	Sleeve-Lever (Choke)
334	691061	Screw (Magneto Armature)	843A	691884	Sleeve-Lever (Speed Control)
356	692390	Wire-Stop	851	493880	Terminal-Sparkplug
404	690272	Washer (Governor Crank)			
505	231082	Nut (Governor Control Lever)			

- ★ Included in Engine Gasket Set-See Ref. No. 358.
- ◆ Included in Carburetor Overhaul Kit-See Ref. No. 121.
- Included in Carburetor Gasket Set-See Ref. No. 977.

**Assemblies include all parts shown in frames.**

# REPAIR PARTS

Briggs & Stratton Engine Model Number 128812-3112-D1



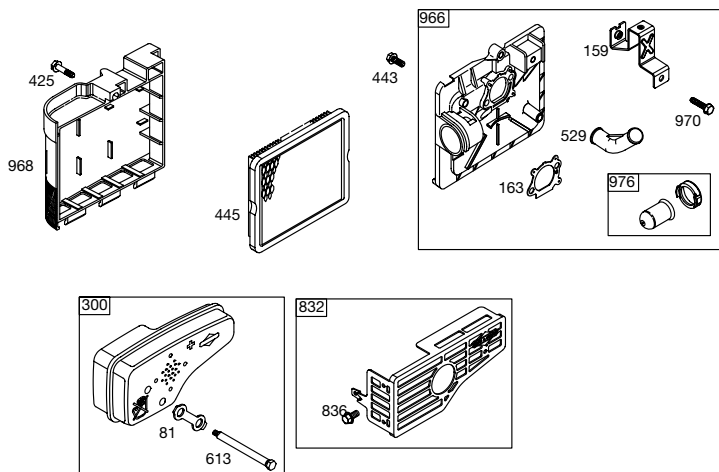
<b>Key#</b>	<b>Part#</b>	<b>Description</b>	<b>Key#</b>	<b>Part#</b>	<b>Description</b>
187	691050	Line-Fuel (Cut to Required Length)	601	95162	Clamp-Hose
190	690940	Screw (Fuel Tank)	670	692294	Spacer-Fuel Tank
			957	397974	Cap-Fuel Tank
			972	495224	Tank-Fuel
			1059	692311	Kit-Screw/Washer

- ★ Included in Engine Gasket Set-See Ref. No. 358.
- ◆ Included in Carburetor Overhaul Kit-See Ref. No. 121.
- Included in Carburetor Gasket Set-See Ref. No. 977.

**Assemblies include all parts shown in frames.**

# REPAIR PARTS

Briggs & Stratton Engine Model Number 128812-3112-D1



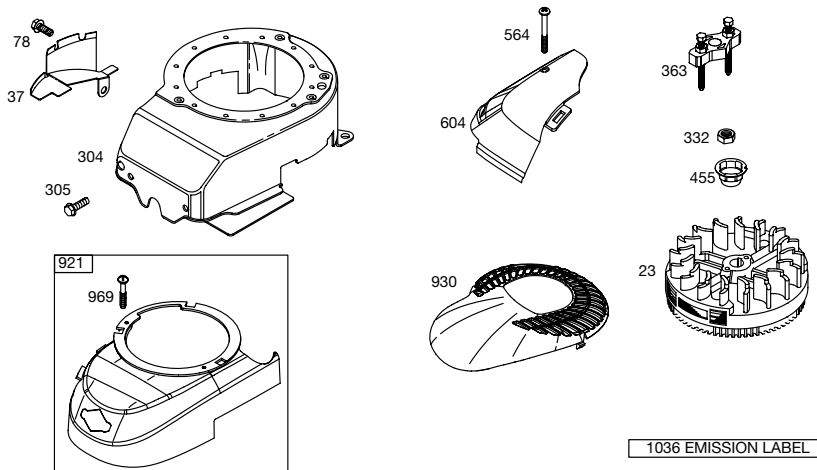
Key#	Part#	Description	Key#	Part#	Description
81	691740	Lock-Muffler Screw	613	691340	Screw (Muffler)
159	691753	Bracket-Air Cleaner	832	499034	Guard-Muffler
		Primer	836	690664	Screw
163	★●◆ 272653	Gasket-Air Cleaner			(Muffler Guard)
300	496106	Muffler	966	496116	Base-Air Cleaner
425	690670	Screw			Primer
		(Air Cleaner Cover)	968	692298	Cover-Air Cleaner
443	692523	Screw	970	691669	Screw
		(Air Cleaner Primer			(Air Cleaner Primer
		Base)			Bracket)
445	491588	Filter-Air Cleaner	976	694395	Primer-Carburetor
		Cartridge			
529	691923	Grommet			

- ★ Included in Engine Gasket Set-See Ref. No. 358.
- ◆ Included in Carburetor Overhaul Kit-See Ref. No. 121.
- Included in Carburetor Gasket Set-See Ref. No. 977.

**Assemblies include all parts shown in frames.**

# REPAIR PARTS

Briggs & Stratton Engine Model Number 128812-3112-D1



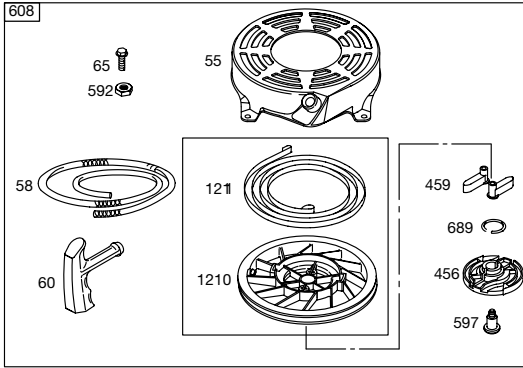
<u>Key#</u>	<u>Part#</u>	<u>Description</u>	<u>Key#</u>	<u>Part#</u>	<u>Description</u>
23	691992	Flywheel	564	691142	Screw
37	694086	Guard-Flywheel	604	691344	Cover-Control
78	691108	Screw	921	695886	Cover-Blower
304	493294	Housing-Blower			Housing
305	691108	Screw	930	691345	Guard-Rewind
		(Blower Housing)	969	691138	Screw
332	690662	Nut (Flywheel )			(Blower Housing
363	19069	Flywheel Puller			Cover)
455	695161	Cup-Flywheel	1036	697378	Label-Emission

- ★ Included in Engine Gasket Set-See Ref. No. 358.
- ◆ Included in Carburetor Overhaul Kit-See Ref. No. 121.
- Included in Carburetor Gasket Set-See Ref. No. 977.

**Assemblies include all parts shown in frames.**

# REPAIR PARTS

## Briggs & Stratton Engine Model Number 128812-3112-D1



<b>Key#</b>	<b>Part#</b>	<b>Description</b>	<b>Key#</b>	<b>Part#</b>	<b>Description</b>
55	691421	Housing-Rewind Starter	592	690800	Nut (Rewind Starter)
58	692259	Rope-Starter (Cut To Required Length)	597	691696	Screw (Pawl Friction Plate)
60	281434	Grip-Starter Rope	608	497680	Starter-Rewind
65	690837	Screw (Rewind Starter)	689	691855	Spring-Friction
456	692299	Plate-Pawl Friction	1210	498144	Pulley/Spring Assembly (Pulley)
459	281505	Pawl-Ratchet	1211	498144	Pulley/Spring Assembly (Spring)

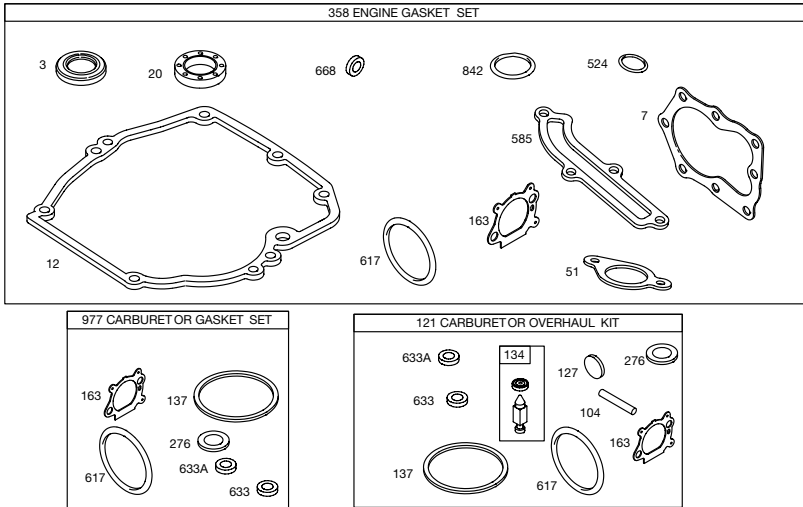
- ★ Included in Engine Gasket Set-See Ref. No. 358.
- ◆ Included in Carburetor Overhaul Kit-See Ref. No. 121.
- Included in Carburetor Gasket Set-See Ref. No. 977.

**Assemblies include all parts shown in frames.**



# REPAIR PARTS

## Briggs & Stratton Engine Model Number 128812-3112-D1



Key#	Part#	Description	Key#	Part#	Description
3 ★	299819	Seal-Oil (Magneto Side)	358	497316	Gasket Set-Engine
7 ★∅	692249	Gasket-Cylinder Head	524 ★	692296	Seal-Dipstick Tube
9 ★∅	272481	Gasket-Breather	585 ★	691879	Gasket-Breather Passage
12 ★	692232	Gasket-Crankcase	617 ★●◆	270344	Seal-O Ring (Intake Manifold)
20 ★	399781	Seal-Oil (PTO Side)	633	691321	Seal-Choke/Throttle Shaft
51 ★	272199	Gasket-Intake	633A ●◆	693867	Seal-Choke/Throttle Shaft
104 ●	691242	Pin-Float Hinge	668 ★	493823	Spacer (Includes 2)
121	498260	Kit-Carburetor Overhaul	842 ★	691031	Seal-O Ring (Dipstick Tube)
127 ●	694468	Plug-Welch	977	498261	Gasket Set-Carburetor
134 ●	398188	Kit-Needle/Seat	1095	498528	Gasket Set-Valve
137 ●◆	693981	Gasket-Float Bowl			
163 ★●◆	272653	Gasket-Air Cleaner			
276 ●◆	271716	Washer-Sealing			

- ★ Included in Engine Gasket Set-See Ref. No. 358.
- ◆ Included in Carburetor Overhaul Kit-See Ref. No. 121.
- Included in Carburetor Gasket Set-See Ref. No. 977.

**Assemblies include all parts shown in frames.**

## TABLE DES MATIÈRES

<b>GARANTIE</b> .....	.34
<b>TABLEAU DES SPÉCIFICATIONS</b> .....	.35
<b>MESURES DE SÉCURITÉ – DÉFINITIONS</b> .....	.35
<b>RENSEIGNEMENTS SUR LA SÉCURITÉ DU CONSOMMATEUR</b> .....	.35
<b>MESURES DE SÉCURITÉ IMPORTANTES</b> .....	.36-39
<b>CONTENU DE LA BOÎTE</b> .....	.39
<b>ASSEMBLAGE</b> .....	.40
<b>UTILISATION</b> .....	.41-45
<b>ENTRETIEN</b> .....	.45-48
<b>ENTREPOSAGE</b> .....	.49-50
<b>GUIDE DE DÉPANNAGE</b> .....	.50-52
<b>PIÈCES DE RECHANGE</b> .....	.53-65
<b>COMMANDE DES PIÈCES DE RECHANGE</b> .....	Couverture arrière

## GARANTIE

### GARANTIE COMPLÈTE DE UN AN SUR LES LAVEUSES À PRESSION

Si cette laveuse à pression arrête de fonctionner à cause d'un défaut de fabrication ou de main-d'œuvre dans une période d'un an à compter de la date d'achat, RETOURNEZ-LA AU CENTRE DE SERVICE APRÈS-VENTE SEARS LE PLUS PROCHE AU CANADA ET SEARS LA RÉPARERA SANS FRAIS.

Si cette laveuse à pression est utilisée à des fins commerciales ou comme appareil de location, la garantie ne s'applique que pour une période de quatre-vingt-dix (90) jours à compter de la date d'achat.

Cette garantie sur la laveuse à pression de Craftsman vous donne des droits particuliers. Il se peut que vous ayez d'autres droits qui varient d'une province à l'autre.

**Sears Canada, Inc., Toronto, Ont. M5B 2B8**

## TABLEAU DES SPÉCIFICATIONS

<b>N° de modèle</b>	<b>919.672101</b>
<b>Laveuse à pression</b>	
Pression	2 150 lb/po <sup>2</sup>
Débit	2,0 gal./min
Unités de nettoyage (gal./min x lb/po <sup>2</sup> )	4 300
<b>Moteur</b>	
Tr./min	3 600
Puissance nominale en chevaux	4,0
Écartement de la bougie d'allumage	0,030 po (0,76 mm)
Capacité du réservoir à carburant	1 pinte (0,95 litre)
Capacité d'huile : 20 oz (0,6 litre)	SAE 30

## MESURES DE SÉCURITÉ - DÉFINITIONS

Ce guide contient des renseignements importants que vous deviez bien saisir. Cette information porte sur **VOTRE SÉCURITÉ** et sur **LA PRÉVENTION DE PROBLÈMES D'ÉQUIPEMENT**. Afin de vous aider à identifier cette information, nous avons utilisé les symboles ci-dessous. Veuillez lire attentivement ce guide en portant une attention particulière à ces symboles.

<p><b>⚠ DANGER</b> Indique un danger imminent qui, s'il n'est pas évité, <b>causera de graves blessures ou la mort.</b></p>	<p><b>⚠ MISE EN GARDE</b> Indique la possibilité d'un danger qui, s'il n'est pas évité, <b>peut causer des blessures mineures ou moyennes.</b></p>
<p><b>⚠ AVERTISSEMENT</b> Indique la possibilité d'un danger qui, s'il n'est pas évité, <b>pourrait causer de graves blessures ou la mort.</b></p>	<p><b>MISE EN GARDE</b> Sans le symbole d'alerte. Indique la possibilité d'un danger qui, s'il n'est pas évité, <b>peut causer des dommages à la propriété.</b></p>

## RENSEIGNEMENTS SUR LA SÉCURITÉ DU CONSOMMATEUR

**⚠ AVERTISSEMENT** Il se peut que ce produit ne soit pas équipé d'un silencieux à pare-étincelles. Si le produit n'en est pas équipé, et s'il est utilisé près de matériaux inflammables ou sur de la terre couverte de produits agricoles, forêts, broussailles, gazon ou autres articles semblables, un pare-étincelles approuvé doit être posé, et est exigé par la loi en Californie. Selon la section 130050 de la loi de la Californie, et les sections 4442 et 4443 du Code sur les ressources publiques de la Californie, ce produit ne peut pas être utilisé en Californie, à moins que le moteur ne soit équipé d'un pare-étincelles, tel que décrit dans la section 4442, et à moins que l'appareil ne soit maintenu en bon état de fonctionnement. Des pare-étincelles sont également requis sur certaines terres forestières des États-Unis et peuvent être exigés légalement sous certains autres lois et arrêtés.

**⚠ AVERTISSEMENT** Les gaz d'échappement du moteur contiennent des produits chimiques qui, dans certaines quantités, peuvent causer le cancer, les anomalies congénitales ou d'autres maux de reproduction.

# MESURES DE SÉCURITÉ IMPORTANTES


## ⚠ AVERTISSEMENT


Lisez le Guide de l'utilisateur. Ne tentez pas d'utiliser cet appareil avant d'avoir lu les directives sur la sécurité, l'assemblage, l'utilisation et l'entretien de ce Guide de l'utilisateur.


LISEZ ET CONSERVEZ CES INSTRUCTIONS

<b>DANGER</b>	
<b>⚠ DANGER RISQUE D'EXPLOSION OU D'INCENDIE</b>	
<b>RISQUE</b>	<b>PRÉVENTION</b>
<ul style="list-style-type: none"> <li>• L'essence répandue par déversement et les vapeurs qui en émanent risquent de s'enflammer en présence d'étincelles provenant d'une cigarette allumée, d'un arc électrique, de gaz d'échappement et de pièces chaudes du moteur, telles que le silencieux.</li> <li>• La chaleur peut causer l'expansion de carburant dans le réservoir pouvant aboutir à un déversement et provoquer un incendie ou une explosion.</li> <li>• Le fait d'utiliser la laveuse à pression dans un milieu explosif peut aboutir à un incendie.</li> <li>• Des matières placées contre ou à proximité de la laveuse à pression peuvent nuire à une ventilation adéquate provoquant ainsi une surchauffe et un risque d'inflammation de ces matières.</li> <li>• La chaleur des gaz d'échappement du silencieux peut endommager les surfaces peintes, faire fondre des matériaux sensibles à la chaleur (tels que le revêtement d'extérieur, le plastique, le caoutchouc et le vinyle) et endommager les plantes.</li> <li>• Un entreposage inapproprié du carburant peut causer une inflammation accidentelle. Le carburant qui n'est pas rangé de façon sécuritaire peut tomber entre les mains d'un enfant ou autres personnes non compétentes.</li> <li>• L'utilisation d'acides, de produits chimiques toxiques ou corrosifs, de poisons, d'insecticides ou de toute sorte de solvant inflammable dans ce produit pourrait provoquer des blessures graves ou la mort.</li> </ul>	<ul style="list-style-type: none"> <li>• Couper le moteur et le laisser refroidir avant d'ajouter de carburant au réservoir.</li> <li>• Prendre des précautions lors du remplissage du réservoir pour éviter le déversement de carburant. Placer la laveuse à pression loin du lieu de remplissage avant de démarrer le moteur.</li> <li>• Maintenir le niveau maximal de carburant à environ 13mm (1/2 po) du haut du réservoir afin de permettre l'expansion de l'essence.</li> <li>• Faire le plein et utiliser l'équipement dans un endroit bien aéré et libre de toutes obstructions. Équiper ces lieux d'extincteurs appropriés pour combattre les incendies comprenant à base d'essence.</li> <li>• Ne jamais faire fonctionner la laveuse à pression dans un endroit comprenant des herbes ou buissons secs.</li> <li>• Toujours garder la laveuse à pression à une distance minimum de quatre pieds 1,2 m (4 pieds) des surfaces qui pourraient être endommagées par les gaz d'échappement du silencieux (telles que les maisons, automobiles ou plantes).</li> <li>• Placer le carburant dans un contenant approuvé par l'OSHA et le ranger dans un lieu sûr, loin de l'aire de travail.</li> <li>• Ne pas vaporiser des liquides inflammables.</li> </ul>

<b>DANGER</b>	
<b>⚠ DANGER RISQUE PAR INHALATION</b>	
<b>RISQUE</b>	<b>PRÉVENTION</b>
<ul style="list-style-type: none"> <li>• L'inhalation des émanations d'échappement peut causer de graves blessures ou la mort !.</li> <li>• Certains nettoyeurs liquides contiennent des substances pouvant causer des lésions à la peau, aux yeux et aux poumons.</li> </ul>	<ul style="list-style-type: none"> <li>• Utiliser la laveuse à pression dans un endroit bien aéré. Éviter les endroits clos tels que les garages, sous-sols, etc.</li> <li>• Ne jamais utiliser l'appareil dans un endroit occupé par d'autres personnes ou des animaux.</li> <li>• N'utiliser que des liquides de nettoyage recommandés pour des laveuses à pression. Suivre les recommandations du fabricant. Ne pas utiliser d'eau de Javel ou tout autre produit corrosif.</li> </ul>

<b>DANGER</b>	
<div style="display: flex; justify-content: space-between; align-items: center;"> <div style="background-color: black; color: white; padding: 5px;"><b>⚠ DANGER</b></div> <div style="text-align: center;"> <b>RISQUE DE BLESSURES ET DE DOMMAGES À LA PROPRIÉTÉ PENDANT LE TRANSPORT OU L'ENTREPOSAGE</b> </div> <div style="text-align: right;">  </div> </div>	
RISQUE	PRÉVENTION
<ul style="list-style-type: none"> <li>Des fuites ou des déversements de carburant ou d'huile peuvent se produire et entraîner des risques d'incendie ou des problèmes aux voies respiratoires, des blessures graves ou la mort. Des fuites de carburant ou d'huile endommagent les tapis, la peinture et d'autres surfaces dans les véhicules et les remorques.</li> </ul>	<ul style="list-style-type: none"> <li>Si la laveuse à pression est munie d'une soupape d'arrêt, tourner la soupape à la position fermée avant le transport pour éviter tout risque de fuite. Si l'appareil n'est pas muni d'une soupape d'arrêt, vidanger le carburant du réservoir avant le transport. Ne transporter le carburant que dans des contenants approuvés par l'OSHA. Pour le transport, toujours placer la laveuse à pression sur un tapis protecteur pour éviter l'endommagement du véhicule par des fuites. Retirer la laveuse à pression du véhicule immédiatement à l'arrivée.</li> </ul>

<b>DANGER</b>	
<div style="display: flex; justify-content: space-between; align-items: center;"> <div style="background-color: black; color: white; padding: 5px;"><b>⚠ DANGER</b></div> <div style="text-align: center;"> <b>RISQUE D'INJECTION D'UN FLUIDE</b> </div> <div style="text-align: right;">  </div> </div>	
RISQUE	PRÉVENTION
<ul style="list-style-type: none"> <li>La laveuse à pression fonctionne à une pression et à une vitesse suffisamment élevées pour faire pénétrer le fluide dans la peau de personnes ou d'animaux et causer des blessures graves ou la nécessité d'une amputation. Une fuite causée par des raccords relâchés ou usés ou par un boyau endommagé peut aboutir à une blessure par injection. <b>NE PAS TRAITER L'INJECTION D'UN FLUIDE COMME UNE SIMPLE COUPE !</b> Consulter immédiatement un médecin !</li> <li>On risque de subir des blessures si la pression du système n'est pas diminuée avant de tenter tout entretien ou démontage.</li> </ul>	<ul style="list-style-type: none"> <li>Ne jamais placer la main devant la buse.</li> <li>Diriger le jet de vaporisation loin de soi et d'autrui.</li> <li>S'assurer que le boyau et les raccords sont bien serrés et en bon état. Ne jamais se cramponner au boyau ou aux raccords lors de l'utilisation de l'appareil.</li> <li>Éviter tout contact du boyau avec le silencieux.</li> <li>Ne jamais mettre ni enlever les raccords de la lance ou du boyau lorsque l'appareil est pressurisé.</li> <li>Pour dégager la pression de l'appareil, couper le moteur, couper l'alimentation d'eau et enfoncer la détente du pistolet jusqu'à ce que l'eau arrête de s'écouler.</li> <li>N'utiliser qu'un boyau et des accessoires à haute pression classés pour un service nominal plus élevé que la puissance nominale (lb/ps<sup>2</sup>) de l'appareil.</li> </ul>

<b>DANGER</b>	
<div style="display: flex; justify-content: space-between; align-items: center;"> <div style="background-color: black; color: white; padding: 5px;"><b>⚠ AVERTISSEMENT</b></div> <div style="text-align: center;"> <b>RISQUE DE BRÛLURES CHIMIQUES</b> </div> <div style="text-align: right;">  </div> </div>	
RISQUE	PRÉVENTION
<ul style="list-style-type: none"> <li>L'utilisation d'acides, de produits chimiques toxiques ou corrosifs, de poisons, d'insecticides ou de toute sorte de solvant inflammable dans ce produit pourrait provoquer des blessures graves ou la mort.</li> </ul>	<ul style="list-style-type: none"> <li>Ne pas utiliser d'acides, d'essence, de kérosène ou toute autre matière inflammable avec cet appareil. N'employer que des détergents, nettoyeurs ou dégraisseurs d'entretien ménager qui sont recommandés pour une utilisation avec une laveuse à pression.</li> <li>Porter un équipement et des vêtements de protection pour se protéger les yeux et la peau contre tout contact avec des matières vaporisées.</li> </ul>

**DANGER****⚠ DANGER****RISQUE D'UNE UTILISATION NON SÉCURITAIRE****RISQUE****PRÉVENTION**

- Une utilisation de la laveuse à pression qui n'est pas conforme aux mesures de sécurité peut causer de graves blessures ou la mort de l'utilisateur ou d'autres personnes.
- Si la procédure de démarrage appropriée n'est pas suivie, le moteur peut provoquer des contre-coups et causer des blessures graves aux mains ou aux bras.
- Le pistolet/la lance de vaporisation est un outil de nettoyage puissant qui peut ressembler à un jouet aux yeux d'un enfant.
- La force de rétroaction du jet fait déplacer le pistolet/la lance et peut faire glisser ou tomber l'utilisateur ou provoquer un changement de direction du jet. Une mauvaise maîtrise du pistolet/de la lance peut causer des blessures à l'utilisateur ou à d'autres personnes.

- Ne pas utiliser d'eau de Javel ou tout autre produit corrosif.
- S'habituer au fonctionnement et aux commandes de la laveuse à pression.
- Garder toutes les personnes non autorisées, les animaux domestiques et les obstacles loin de l'aire de vaporisation.
- Ne pas utiliser l'appareil lorsque vous êtes fatigué ou sous l'effet de boissons alcooliques ou de drogues. Restez alerte à tout moment.
- Ne jamais contourner un dispositif de sécurité de cet appareil.
- Ne jamais utiliser un appareil auquel il manque des pièces, qui comprend des pièces brisées ou non autorisées par le fabricant.
- Ne jamais s'éloigner de la lance lorsque l'appareil est en marche.
- Si le moteur ne démarre pas après deux essais, appuyer sur la détente du pistolet afin de dégager la pression de la pompe. Tirer lentement sur le cordon de démarrage jusqu'à ce qu'on sente une résistance. Tirer ensuite rapidement sur le cordon pour éviter les contre-coups et les blessures aux mains ou aux bras.
- Garder les enfants éloignés de la laveuse à pression à tout moment.
- Ne pas trop éloigner le pistolet du corps et ne pas se tenir sur une surface instable. Saisir le pistolet/la lance fermement avec les deux mains. S'attendre à ressentir un contre-coup lors du déclenchement.

**DANGER****⚠ AVERTISSEMENT****RISQUE DE CHOCS ÉLECTRIQUES****RISQUE****PRÉVENTION**

- Une vaporisation dirigée vers des prises de courant, des interrupteurs ou des objets branchés sur un circuit électrique peut causer des chocs électriques mortels.

- Débrancher tout appareil électrique avant de tenter de le nettoyer. Diriger le jet de vaporisation loin de toutes prises de courant et interrupteurs.

**DANGER****⚠ AVERTISSEMENT****RISQUE DE SURFACES CHAUDES****RISQUE****PRÉVENTION**

- Le contact avec les surfaces chaudes, telles que les pièces d'échappement du moteur, peut provoquer des brûlures graves.

- Durant le fonctionnement de l'appareil, ne toucher qu'aux surfaces de commande de la laveuse à pression. Garder les enfants loin de la laveuse à pression en tout temps. Les enfants ne sont pas nécessairement capables de reconnaître les dangers que comporte cet appareil.

**DANGER****AVERTISSEMENT****RISQUE DE BLESSURES PAR VAPORISATION****RISQUE**

- Un fluide vaporisé à haute vélocité peut causer le bris d'objets et la propulsion de particules à vitesse élevée.
- Les objets légers ou qui ne sont pas fixés peuvent devenir de dangereux projectiles.

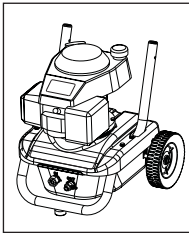
**PRÉVENTION**

- Toujours porter des lunettes de sécurité Z87 homologuées par l'ANSI. Porter des vêtements de protection pour se protéger contre toute vaporisation accidentelle.
- Ne jamais vaporiser ni pointer la lance en direction de personnes ou d'animaux.
- Toujours s'assurer que la détente est verrouillée lorsque la lance n'est pas utilisée afin de prévenir toute mise en marche accidentelle.
- Ne jamais fixer la détente en position enfoncée (ouverte) de façon permanente.

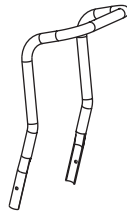
**MISE EN GARD**

Le puissant jet de la laveuse à pression est capable d'endommager les surfaces fragiles telles que le bois, le verre, la peinture d'automobiles, les garnitures d'auto ainsi que les objets délicats tels que les fleurs et arbustes. Avant de vaporiser, vérifiez l'objet à nettoyer afin de vous assurer qu'il est assez robuste pour résister à la puissance du jet sans subir de dommages. Évitez d'utiliser le jet à débit concentré sauf pour des surfaces très résistantes telles que le béton ou l'acier.

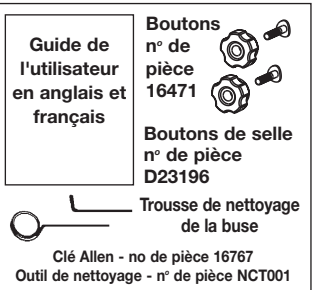
Le fait de faire fonctionner l'appareil sans alimentation d'eau endommagera l'appareil. L'utilisation de l'appareil sans alimentation d'eau annulera la garantie. Vous ne devez jamais faire fonctionner l'appareil plus de deux (2) minutes sans appuyer sur la détente du pistolet afin de permettre à l'eau fraîche d'entrer dans la pompe et à l'eau chauffée (recirculée) d'en sortir.

**CONTENU DE LA BOÎTE**

Ensemble de châssis de moteur avec roues



Poignée  
n° de pièce D22316



Pièces dans un sac



Boyau à haute pression  
n° de pièce D22166



Boyau de produit chimique  
n° de pièce H140



Tableau d'accessoires  
n° de pièce D25081  
avec vis - n° de pièce D22901



Huile à moteur



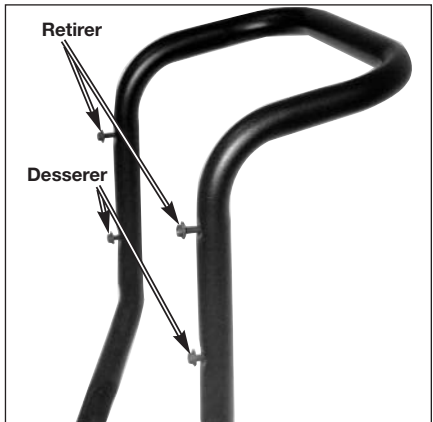
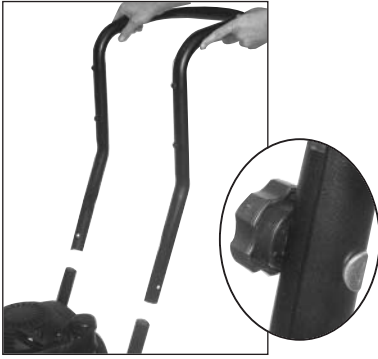
Pistolet de vaporisation  
n° de pièce 17780



Lance de vaporisation à réglages multiples  
n° de pièce D22837

## ASSEMBLAGE

1. Placez l'ensemble de poignée sur le châssis et attachez la poignée au châssis. **REMARQUE** : Les boutons doivent être assemblés à l'intérieur du châssis.

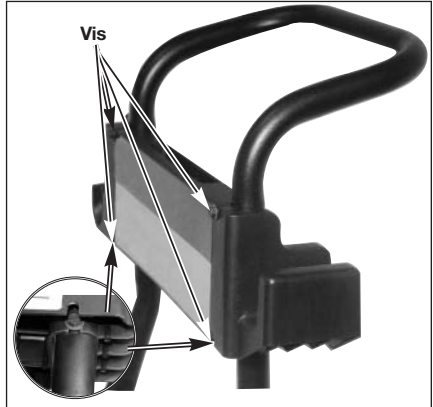


- c. Positionnez les rainures du tableau d'accessoires sur les vis et mettez le tableau en place.

2. Attachez la lance au pistolet et bien serrer.



3. Attachez le boyau à haute pression au pistolet et bien serrer.

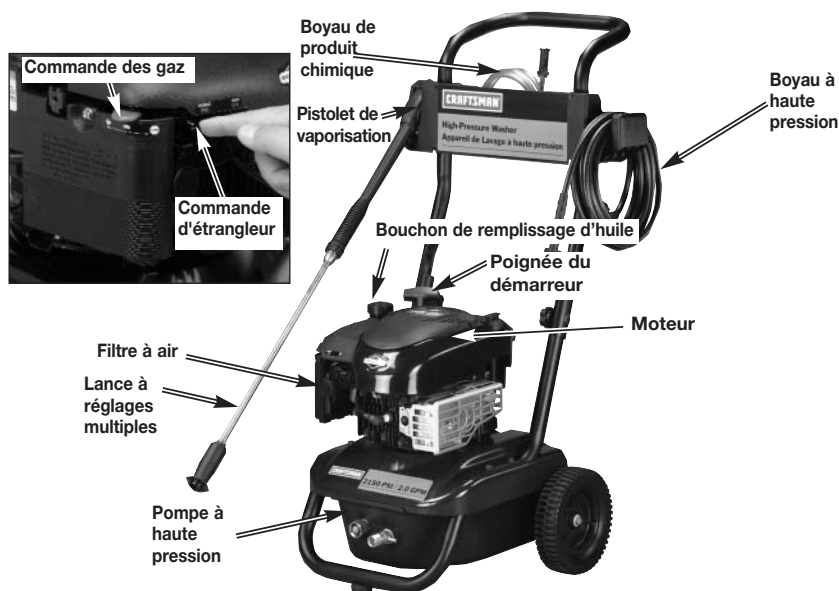


- d. Insérez les vis (retirées plus tôt) dans les trous supérieures et fixez le tableau d'accessoires sur les poignées. Ne pas trop serrer.
4. Assemblage du tableau d'accessoires:
    - a. Retirez les vis supérieures de l'ensemble de poignée.
    - b. Desserrez les vis inférieures de l'ensemble de poignée.



# UTILISATION

LISEZ CE GUIDE DE L'UTILISATEUR ET TOUTES LES MESURES DE SÉCURITÉ AVANT D'UTILISER CET APPAREIL. Comparez les illustrations avec votre appareil afin de vous familiariser avec l'emplacement des commandes et des réglages. Conservez ce guide pour les références futures.



## LAVEUSE À PRESSION

**Pompe à haute pression (située à l'intérieur du bouclier) :** Augmente la pression de la source d'eau.

**Moteur :** Entraîne la pompe à haute pression.

**Boyau à haute pression :** Achemine l'eau sous pression de la pompe vers le pistolet et la lance de vaporisation.

**Pistolet de vaporisation :** S'attache à la lance pour régler le débit d'eau, la direction et la pression.

**Lance à réglages multiples :** Comporte une buse de vaporisation réglable d'un jet de l'épaisseur d'un crayon (0°) jusqu'à un jet en éventail à angle large (40°). Le réglage de la vaporisation est effectué en tournant la buse dans le sens des aiguilles d'une montre ou dans le sens contraire. De plus, le réglage de haute ou de basse pression s'effectue en tirant la buse vers l'intérieur ou en la poussant vers l'extérieur. Voir le paragraphe intitulé " Utilisation de la lance " de cette section.

**Boyau de produit chimique :** Alimente les agents de nettoyage dans la pompe pour les mélanger avec l'eau sous pression. Voir le paragraphe " Application des produits chimiques/solvants de nettoyage " de la section " Utilisation " de ce guide.

## MOTEUR

**Commande d'étrangleur :** Ouvre et ferme la soupape de l'étrangleur dans le carburateur.

**Levier de commande des gaz :** Commande la vitesse du moteur.

**Poignée du démarreur :** Tirer sur la poignée du démarreur fait fonctionner le lanceur à rappel pour démarrer le moteur.

## TERMINOLOGIE DES LAVEUSES À PRESSION

**lb/po<sup>2</sup>** : livres par pouce carré. Une unité de mesure de pression d'eau. Également utilisé pour la pression d'air, la pression hydraulique, etc.

**GPM** : Gallons par minute. L'unité de mesure du débit d'eau.

**CU** : Unités de nettoyage. gal./min x lb/po<sup>2</sup>.

**Mode de dérivation** : En mode de dérivation, la pompe recircule simplement l'eau car la détente du pistolet de vaporisation n'est pas tirée. Si l'appareil demeure en mode de dérivation pendant plus de deux (2) minutes, la température de l'eau augmentera jusqu'à un niveau dangereux et endommagera des composantes internes de la pompe. Les dommages à la pompe causés par une telle situation ne sont pas couverts par la garantie.

**MISE EN GARDE** **NE faites PAS fonctionner votre appareil en mode de dérivation pendant plus de deux minutes à la fois. Toute surchauffe de la pompe entraînera des dommages à la pompe.**

**Soupape de décharge thermique** : Afin d'empêcher des dommages, les pompes sont équipées d'une soupape de décharge thermique. Cette soupape s'ouvrira lorsque la température à l'intérieur de la pompe devient trop élevée. Elle dégagera alors un jet d'eau afin d'abaisser la température à l'intérieur de la pompe et se refermera toute suite après. La soupape de décharge thermique constitue une partie de la pompe et elle n'est pas visible pour l'utilisateur.

**Injection d'un produit chimique** : Alimente un produit de nettoyage à la pompe afin de le mélanger à l'eau pressurisée pour améliorer la puissance de nettoyage.

**Source d'eau** : Tous les appareils de lavage sous pression ont besoin d'une source d'eau. Les exigences minimums pour la source d'eau sont de 20 lb/po<sup>2</sup> et de 5 gallons (19 litres) à la minute.

## UTILISATION

**IMPORTANT** : Lisez attentivement la section sur l'utilisation de la laveuse à pression avant d'utiliser l'appareil.

## RÉGLAGE DE LA PRESSION

La pression est pré-réglée à l'usine afin d'obtenir une pression ainsi qu'un nettoyage optimums. La pression peut être diminuée de deux façons différentes.

1. Éloignez-vous de la surface à nettoyer. Plus vous êtes éloigné, moins sera la pression sur la surface à nettoyer.
2. Réduisez la vitesse du moteur à essence (tr/min). Lorsque la vitesse du moteur est réduite, la pression d'eau est diminuée aussi.

**▲ MISE EN GARDE** **NE tentez PAS d'augmenter la pression de la pompe. Une pression plus élevée que celle réglée à l'usine peut endommager la pompe.**

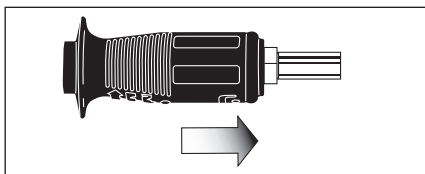
## UTILISATION DE LA LANCE

Votre laveuse à pression est équipée d'une lance à réglages multiples avec positions de haute et de basse pression. La position de haute pression est utilisée pour le nettoyage et le rinçage et la position de basse pression est utilisée pour l'application de produits chimiques ou de solutions de nettoyage sur une surface.

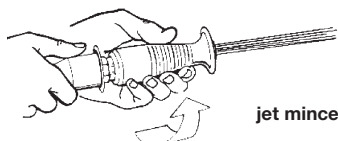
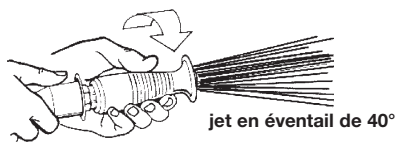
**▲ DANGER** **Lorsque l'appareil est réglé pour une vaporisation à haute pression, ne dirigez jamais le jet de vaporisation vers la peau nue, les yeux ou vers tout animal domestique ou autre. Cela risque de provoquer des blessures graves.**

**▲ AVERTISSEMENT** **Risque d'injection ou de blessures corporelles. Ne dirigez pas le jet de vaporisation vers d'autres personnes.**

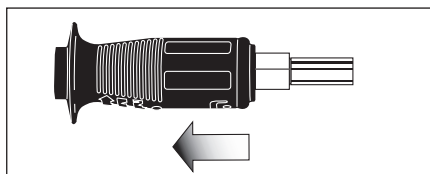
Pour la vaporisation à haute pression, tirez vers l'arrière la buse de la lance à réglages multiples, tel qu'illustré.



La buse à l'extrémité de la lance à réglages multiples peut être tournée pour changer le jet de vaporisation à haute pression d'un jet mince jusqu'à un jet en éventail de 40°, tel qu'illustré. Les marques sur la buse vous aideront à choisir le type de jet désiré.



Pour la vaporisation à basse pression, poussez la buse de la lance à réglages multiples vers l'avant, tel qu'illustré.

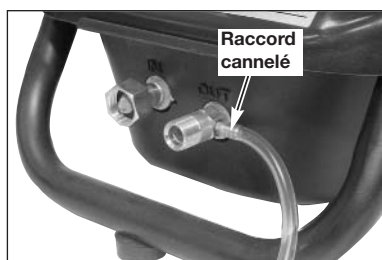


### APPLICATION DES PRODUITS CHIMIQUES/SOLVANTS DE NETTOYAGE

L'application des solutions de nettoyage devrait être effectuée à basse pression.

**REMARQUE :** Utilisez seulement des savons ou des produits chimiques qui sont conçus spécialement pour une laveuse à pression. Ne pas utiliser de l'eau de Javel.

1. Poussez le boyau de produit chimique dans le raccord cannelé, près du point de connexion du boyau à haute pression de la pompe, tel qu'illustré.



2. Placez l'autre extrémité du boyau de produit chimique (l'extrémité avec le filtre) dans le contenant avec le produit chimique/solution de nettoyage. **REMARQUE :** Le rapport de produit chimique/eau devrait être 7 à 1. Pour 7 gallons d'eau pompée, 1 gallon de produit chimique/solution de nettoyage sera utilisé.
3. Réglez la buse à réglages multiples à la position de basse pression. Voir le paragraphe intitulé « **Utilisation de la lance** » de cette section.
4. Après avoir utilisé un produit chimique, placez le boyau de produit chimique dans un récipient d'eau propre et aspirez de l'eau propre à travers le système d'injection de produit chimique pour bien rincer le système. Si les produits chimiques restent dans la pompe, celle-ci pourrait être endommagée. Les pompes endommagées par un produit chimique ne sont pas couvertes par la garantie.

**REMARQUE :** Les produits chimiques et savons ne peuvent pas être siphonnés lorsque la lance est réglée à la position de haute pression.

### ARRÊT DE LA LAVEUSE À PRESSION

**IMPORTANT :** Lisez attentivement comment arrêter la laveuse à pression avant de l'utiliser.

1. Si vous avez appliqué des produits chimiques, placez le boyau de produit chimique dans un récipient d'eau propre et aspirez de l'eau propre à travers le système d'injection de produit chimique pour bien rincer le système. **REMARQUE :** Si vous n'exécutez pas cette étape, cela risque d'endommager la pompe.
2. Arrêtez le moteur en plaçant la commande des gaz à la position d'arrêt « **STOP** ».

**REMARQUE : NE fermez JAMAIS le robinet d'eau lorsque le moteur tourne.**

3. Fermez le robinet de la source d'eau.
4. Appuyez sur la détente du pistolet de vaporisation pour dégager toute pression d'eau dans le boyau ou dans le pistolet.
5. Consultez la section sur l'entreposage de ce guide pour connaître les procédures d'entreposage appropriées.

## AVANT LE DÉMARRAGE

Lisez attentivement toute la section intitulée « Mesures de sécurité importantes » au début de ce guide, ainsi que les mises en garde et avertissements suivants, avant de démarrer la laveuse à pression.

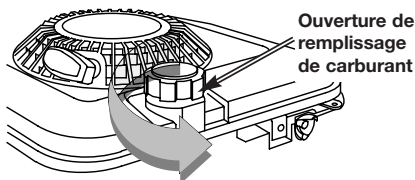
### ⚠ AVERTISSEMENT

- Ne jamais remplir le réservoir à carburant jusqu'au bout. Remplissez-le jusqu'à ½ po en dessous du bas du culot de remplissage afin de permettre l'expansion du carburant. Essuyez tout carburant versé sur le moteur ou sur l'appareil avant de démarrer le moteur.
- Ne remplissez jamais le réservoir à carburant à l'intérieur ni lorsque le moteur est en marche. Ne jamais fumer en remplissant le réservoir à carburant.
- Ne mettez jamais le moteur en marche à l'intérieur ou dans un espace fermé sans aération adéquate. Les gaz déchargés du moteur contiennent du monoxyde de carbone, un gaz inodore et mortel.

### MISE EN GARDE

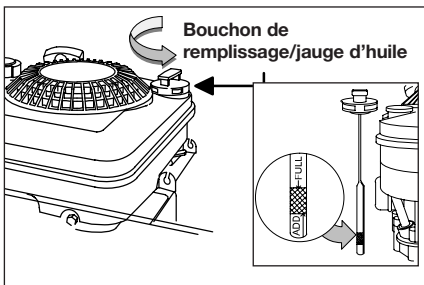
- Ne fermez jamais le robinet de la source d'eau lorsque le moteur de l'appareil de lavage sous pression est en marche puisque cela risque d'endommager la pompe.
- N'utilisez PAS d'eau chaude. Utilisez seulement de l'eau froide.
- N'arrêtez PAS de vaporiser pendant plus de deux minutes à la fois.

**REMARQUE :** Retirez le bouchon bleu de l'ouverture de remplissage de carburant et jetez-le.

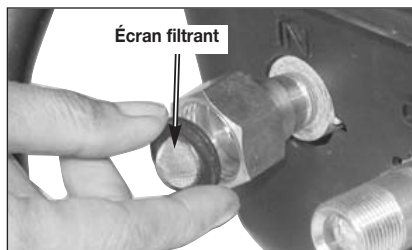


1. Ajouter de l'essence pure, sans plomb, de haute qualité et ayant un indice d'octane de 86 ou plus. Ne pas trop remplir. Essuyez l'essence déversée avant de démarrer le moteur.

2. Retirez le bouchon de remplissage/jauge d'huile et ajoutez de l'huile à moteur (fournie) au moteur. **REMARQUE :** Une petite quantité d'huile a été versée dans le moteur pour effectuer les essais à l'usine. Vérifiez toujours le niveau d'huile avant le démarrage.
3. Le niveau d'huile devrait être à la marque « FULL » sur la jauge d'huile. Vérifiez toujours le niveau d'huile avant le démarrage.

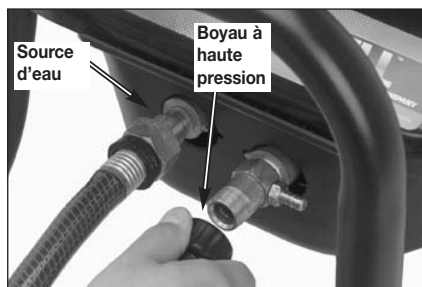


4. Assurez-vous que l'écran filtrant est dans l'orifice d'entrée d'eau de la pompe, tel qu'illustré. **REMARQUE :** Le côté conique doit être dirigé vers l'extérieur.





5. Attachez le boyau à haute pression à la sortie de la pompe.
6. Branchez la source d'eau à l'orifice d'entrée de la pompe.

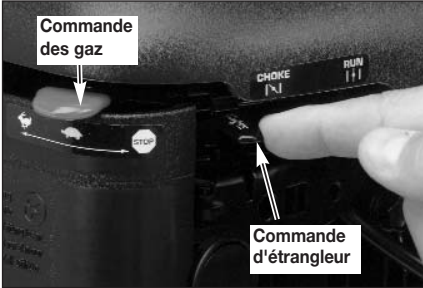
**REMARQUE :** La source d'eau doit fournir un minimum de 5 gallons par minute à 20 lb/po<sup>2</sup>.



- Si vous appliquez un produit chimique ou une solution de nettoyage, consultez le paragraphe intitulé « **Siphonnage de produits chimiques/solvants de nettoyage** » de la section sur l'utilisation de ce guide.
- Ouvrez le robinet de la source d'eau.

**REMARQUE : Assurez-vous que le robinet de la source d'eau est ouvert.**

- Placez le levier de commande d'étrangleur à la position « CHOKE ON »  et la commande des gaz à la position rapide « FAST » .



- Tirez lentement la prise du démarreur jusqu'à ce que vous sentiez une résistance et tirez brusquement ensuite. Relâchez doucement la prise du démarreur. Tirez le cordon en effectuant un mouvement rapide et complet du bras. Laissez le cordon s'enrouler lentement. Répétez au besoin.

### **⚠ AVERTISSEMENT**

**Si le moteur ne démarre pas**

après deux essais, appuyez sur la détente afin de dégager la pression.

- Si vous avez utilisé la commande d'étrangleur lors du démarrage, remplacez le levier d'étrangleur à la position d'arrêt « OFF ».
- Appuyez sur la détente du pistolet pour commencer la vaporisation d'eau.  
**REMARQUE :** Tenez-vous sur une surface stable et saisissez le pistolet/la lance fermement avec les deux mains. Attendez-vous à ressentir un contre-coup lors du déclenchement.
- Relâchez la détente pour l'arrêter.
- Réglez le jet de vaporisation de la buse pour correspondre à la tâche à effectuer. Consultez les directives intitulées « **Utilisation de la lance** » de cette section.

### **⚠ AVERTISSEMENT**

**NE laissez PAS les boyaux entrer**

en contact avec le silencieux du moteur qui est extrêmement chaud, lors de l'utilisation de la laveuse à pression ou tout de suite après.

## **ENTRETIEN**

### **⚠ DANGER**

En effectuant l'entretien, vous pouvez être exposé à des surfaces chaudes, à l'eau sous pression ou à des pièces en mouvement qui peuvent causer des blessures graves ou la mort ! Avant d'effectuer tout entretien ou toute réparation, débranchez le fil de la bougie d'allumage, attendez jusqu'à ce que le moteur soit refroidi et dégagez toute la pression d'eau. Le moteur contient du carburant inflammable. **NE FUMEZ PAS** et ne travaillez pas près d'une flamme nue en effectuant l'entretien.

Afin d'assurer le bon fonctionnement et une durée de vie prolongée de votre laveuse à pression, vous devez préparer et suivre un calendrier d'entretien régulier. Si votre laveuse à pression est utilisée dans un environnement défavorable, tel qu'à des températures élevées ou des conditions poussiéreuses, les vérifications d'entretien doivent être exécutées plus souvent.

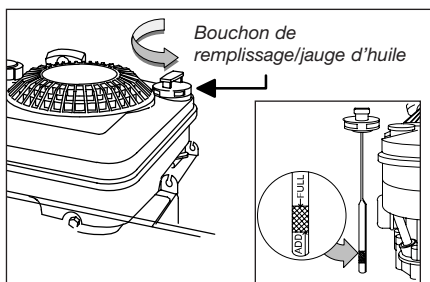
## TABLEAU DES RESPONSABILITÉS DU CLIENT

TACHE D'ENTRETIEN	Avant chaque utilisation	Toutes les 25 heures ou annuellement	Toutes les 50 heures ou annuellement	Toutes les 100 heures ou annuellement
<b>MOTEUR</b>				
Vérification du niveau d'huile	X			
Changement de l'huile moteur			X*	
Vérification du filtre à air		X**		
Nettoyage/remplacement de la bougie d'allumage				X
Nettoyage des débris	X			
Nettoyage du système de refroidissement par air				X
Nettoyage de la chambre de combustion				X
<p>* Remplacez l'huile après les premières 5 à 8 heures d'utilisation, et à toutes les 50 heures ou à chaque saison ensuite. Changez l'huile à toutes les 25 heures lorsque le moteur fonctionne dans des conditions à charge lourde ou à des températures élevées.</p> <p>** Nettoyez l'appareil plus souvent s'il est utilisé dans des conditions poussiéreuses ou s'il y a des débris suspendus dans l'air. Remplacez les pièces du filtre à air si elles sont extrêmement sales.</p>				
<b>LAVEUSE À PRESSION</b>				
Vérification/nettoyage de l'écran filtrant de l'arrivée d'eau	X			
Vérification du boyau à haute pression	X			
Vérification du boyau de savon/produit chimique et du filtre	X			
Vérification du pistolet et de la lance pour déceler des fuites	X			
Préparation pour l'entreposage	<b>Préparer l'appareil pour l'entreposage s'il ne sera pas utilisé pendant 30 jours ou plus.</b>			

## MOTEUR

### Vérification du niveau d'huile

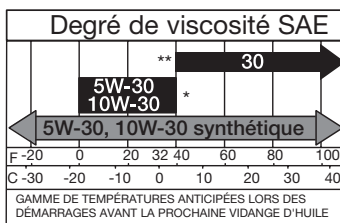
- Coupez le moteur et placez-le sur une surface de niveau.
- Retirez le bouchon de remplissage/jauge d'huile et essuyez-le.
- Remettez en place la jauge d'huile et serrez-le. Retirez-la encore une fois et vérifiez le niveau d'huile.
- Le niveau d'huile devrait être à la marque « FULL » de la jauge d'huile.



- Si le niveau d'huile est bas, ajoutez lentement de l'huile et revérifiez le niveau ensuite. Ne pas trop remplir.

**REMARQUE** : Utilisez une huile détergente de haute qualité, classée « pour service SF, SG, SH, SJ » ou plus élevée, telle que l'huile SAE 30.

**REMARQUE** : Une huile d'une autre viscosité que celle indiquée dans le tableau peut être utilisée lorsque la température moyenne de votre région est dans les limites recommandées.

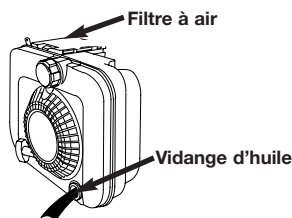


- Remettez en place le bouchon de remplissage/jauge d'huile.

## Changement de l'huile

Vidangez l'huile moteur lorsque le moteur est chaud. L'huile se vidange plus rapidement et complètement lorsqu'elle est chaude.

1. Avant d'incliner le moteur ou l'appareil pour vidanger l'huile, vidangez le carburant du réservoir en faisant tourner le moteur jusqu'à ce que le réservoir soit vide.
2. Débranchez le fil de la bougie d'allumage et gardez-le éloigné de la bougie.
3. Avec le moteur arrêté mais encore chaud, retirez le bouchon de remplissage/jauge d'huile.
4. Placez un récipient approprié à côté du moteur pour attraper l'huile usée.
5. Tout en gardant le filtre à air au-dessus de la sortie d'huile, vidangez l'huile dans le récipient.



**REMARQUE :** Veuillez disposer de l'huile usée d'une manière écologique. Nous vous recommandons de mettre l'huile usée dans un contenant scellé et de l'apporter à un centre de recyclage local ou à une station service pour la récupération. Ne jetez pas l'huile dans les déchets et ne la versez pas sur le sol ou dans un égout.

6. En maintenant le moteur de niveau, versez de l'huile SAE 10W-30 jusqu'à la marque « FULL » de la jauge d'huile. La capacité d'huile est de 20 oz (0,6 litre).

**REMARQUE :** On peut également utiliser une des autres viscosités d'huile figurant dans le tableau suivant le paragraphe intitulé « Vérification du niveau d'huile ».

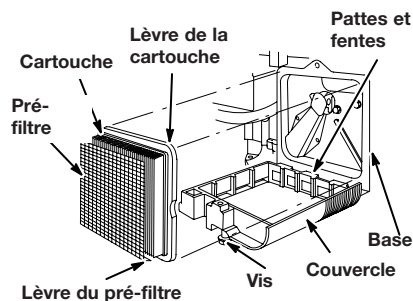


7. Remettez en place le bouchon de remplissage/jauge d'huile et serrez-le fermement.

## Filtre à air

### Retrait

1. Desserrez la vis et inclinez le couvercle vers le bas.
2. Retirez le filtre à air.
3. Posez un ensemble de filtre à air propre (ou neuf) dans le couvercle. La lèvre du pré-filtre doit être en bas des plis de la cartouche.
4. Insérez les pattes du couvercle dans les fentes situées dans la partie inférieure de la base.
5. Remettez en place le couvercle et serrez la vis.



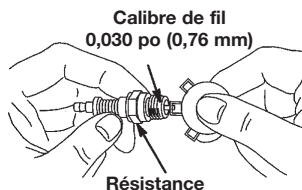
### Nettoyage

Séparez le pré-filtre de la cartouche et lavez-le dans une solution d'eau et de détergent liquide. Laissez-le sécher à l'air. Ne pas appliquer de l'huile. Posez le pré-filtre sec dans la cartouche propre.

N'utilisez pas de l'air sous pression ou des solvants pour nettoyer la cartouche. L'air sous pression peut endommager la cartouche et les solvants dissoudront la cartouche.

### Nettoyage et remplacement de la bougie d'allumage

Remplacez la bougie d'allumage à toutes les 100 heures d'utilisation ou une fois par an, selon le premier cas qui se présente. Ceci aide à faciliter le démarrage et assure un rendement optimum du moteur.



## Nettoyage des débris

Gardez les pièces du moteur propres afin de réduire le risque de surchauffe et de l'allumage des débris accumulés.

**REMARQUE** : N'utilisez pas de l'eau pour nettoyer les pièces du moteur. L'eau peut contaminer le système de carburant. Utilisez une brosse ou un chiffon sec.

## Système de refroidissement par air

Après un certain temps, des débris peuvent s'accumuler dans les ailettes de refroidissement du cylindre. Ce phénomène n'est pas visible à moins d'avoir partiellement démonté le moteur. Nous vous recommandons donc d'apporter l'appareil à un Centre de service sous garantie approuvé, à des intervalles recommandés, afin de faire nettoyer le système de refroidissement par air.

## Résidus de combustion

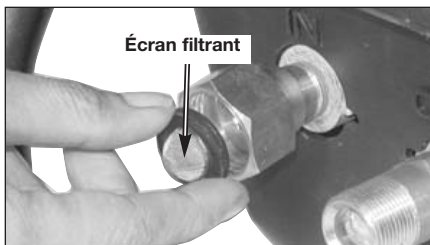
À toutes les 100 à 300 heures d'utilisation, vous devriez apporter l'appareil à un Centre de service sous garantie pour faire nettoyer les résidus de combustion du cylindre, de la culasse, de la surface supérieure du piston et de la région autour des soupapes.

## POMPE

Cet écran filtrant devrait être vérifié périodiquement et nettoyé au besoin.

1. Saisissez l'extrémité du filtre et retirez-le de l'orifice d'entrée d'eau de la pompe, tel qu'illustré.
2. Nettoyez le filtre en le rinçant à l'eau sur les deux côtés.
3. Réinsérez le filtre dans l'orifice d'entrée d'eau de la pompe. **REMARQUE** : Le côté conique doit être dirigé vers l'extérieur.

**REMARQUE** : N'utilisez pas la laveuse à pression lorsque le filtre n'est pas posé de façon appropriée.



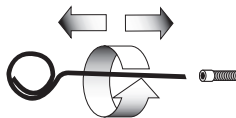
## BUSE

Si la buse devient obstruée par des matériaux étrangers comme la poussière, une pression excessive peut se développer. Si la buse devient partiellement obstruée ou le débit est restreint, la pression de la pompe commencera à pulser. Nettoyez la buse immédiatement en vous servant de la trousse de nettoyage de buse fournie et en suivant les directives suivantes :

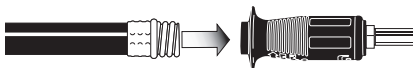
1. Arrêtez la laveuse à pression et fermez le robinet de la source d'eau.
2. Débranchez le fil de la bougie d'allumage.
3. Appuyez sur la détente du pistolet afin de dégager la pression d'eau.
4. Détachez la lance du pistolet.
5. Retirez la buse de l'extrémité de la lance en vous servant de la clé Allen de 2 mm fournie, tel qu'indiqué ci-dessous.



6. Nettoyez la buse en vous servant du dispositif de nettoyage fourni ou d'un trombone redressé en ligne droite. Insérez-le dans l'extrémité de la buse et déplacez-le dans un mouvement d'aller-retour pour libérer l'obstruction.



7. Dirigez la source d'eau dans la buse et rincez les particules libérées pendant 30 secondes.



8. Rebranchez le fil de la bougie d'allumage.
9. Réassemblez la buse sur la lance. Serrez fermement afin d'empêcher des fuites.
10. Attachez la lance au pistolet et ouvrez le robinet de la source d'eau.
11. Démarrez la laveuse à pression et réglez la lance à la position de haute pression pour l'essayer.



## MOTEUR

**IMPORTANT:** Il est important d'empêcher la formation de dépôts de gomme sur les parties essentielles du système d'injection, telles que le carburateur, le filtre à carburant, le boyau ou le réservoir durant l'entreposage. De plus, l'expérience indique que les essences mélangées avec des alcools (connues sous le nom d'essence-alcool ou essences utilisant de l'éthanol ou du méthanol) peuvent attirer l'humidité, ce qui entraîne la séparation du mélange et la formation d'acides durant l'entreposage. Les essences acides peuvent endommager le système d'injection d'un moteur lors de l'entreposage. Pour éviter des problèmes du moteur, le système d'injection doit être purgé avant un entreposage d'une durée de trente (30) jours ou plus. N'utilisez jamais de nettoyeurs pour moteurs ou carburateurs dans le réservoir à essence en raison d'un risque de dommages permanents.

### Préparation du moteur

1. Ajoutez un agent de stabilisation de carburant au réservoir.
2. Mettez la laveuse à pression en marche et faites-la fonctionner pendant un bon 5 minutes pour permettre à l'agent de stabilisation d'entrer dans le système d'injection.

### **▲ MISE EN GARDE**

**Lors de la préparation du moteur, assurez-vous que le robinet de la source d'eau est ouvert et que l'eau arrive à l'appareil. N'utilisez JAMAIS l'appareil lorsqu'il n'y a aucun débit d'eau à travers la pompe car cela endommagera la pompe.**

3. Coupez ensuite le moteur et déconnectez la source d'alimentation d'eau.
4. Débranchez le fil de la bougie d'allumage et retirez la bougie.
5. Ajoutez une cuillère à thé d'huile dans l'orifice pour bougie d'allumage.
6. Placez un chiffon sur l'orifice pour bougie d'allumage et tirez sur la corde à rappel à quelques reprises pour lubrifier la chambre de combustion.
7. Remettez la bougie d'allumage mais sans brancher le fil de la bougie.

## POMPE

1. Vidangez toute l'eau du boyau à haute pression, enrroulez-le et rangez-le dans le berceau de la poignée de la laveuse à pression.
2. Vidangez toute l'eau du pistolet et de la lance. Pour ce faire, maintenez le pistolet en position verticale, en dirigeant la buse vers le bas, et appuyez sur la détente du pistolet. Rangez ces pièces dans le porte-pistolet/boyau.
3. Rangez le boyau de produits chimiques, le boyau à haute pression, le pistolet de vaporisation et la lance en les protégeant contre les dommages, surtout les dommages causés en roulant sur ces pièces.

Nous vous recommandons de suivre les étapes ci-dessous pour protéger les joints d'étanchéité internes de la laveuse à pression **LORSQUE VOUS DEVEZ ENTREPOSER L'APPAREIL PENDANT PLUS DE 30 JOURS ET(OU) LORSQUE DES TEMPÉRATURES DE GEL SONT PRÉVUES.**

\* Vous devez également passer de l'antigel pour véhicules récréatifs à travers la pompe, tel que stipulé dans les étapes ci-dessous.

4. Obtenez un entonnoir, 6 oz (177 ml) d'antigel pour véhicules récréatifs ou de liquide de lave-glace, un boyau d'arrosage d'une longueur d'environ 12 po (30 cm) doté d'un raccord mâle à une extrémité.



### **▲ MISE EN GARDE**

**N'utilisez que de l'antigel pour véhicules récréatifs. Tout autre antigel est corrosif et risque d'endommager la pompe.**

5. Débranchez le fil de la bougie d'allumage.

6. Connectez le boyau d'arrosage de 12 po (30 cm) à l'orifice d'entrée de la pompe.
  7. Ajoutez l'antigel pour véhicules récréatifs ou le liquide de lave-glace, tel qu'illustré.
  8. Tirez à plusieurs reprises sur le cordon de démarrage du moteur, jusqu'à ce que l'antigel ou le liquide de lave-glace déborde du raccord du boyau à haute pression de la pompe.
  9. Retirez le boyau court de l'orifice d'entrée de la pompe.
  10. Insérez la bougie d'allumage dans le trou de bougie et bien la serrer. Branchez ensuite le fil de la bougie d'allumage.
- \* Vous pouvez également utiliser du liquide de lave-glace.*

## GUIDE DE DÉPANNAGE

PROBLÈME	CAUSE	CORRECTION
Le moteur ne démarre pas	<ol style="list-style-type: none"> <li>1. Aucun carburant.</li> <li>2. Accumulation de pression après avoir tiré deux fois sur le cordon de démarrage.</li> <li>3. Le levier d'étrangleur est en position sans étranglement " No Choke ".</li> <li>4. Le fil de la bougie d'allumage n'est pas branché.</li> <li>5. Le levier d'étranglement est en position « Choke » lorsque le moteur est chaud ou lorsque le moteur a été exposé à une source de chaleur pour une période prolongée.</li> </ol>	<ol style="list-style-type: none"> <li>1. Ajoutez du carburant.</li> <li>2. Appuyez sur la détente du pistolet pour dégager la pression.</li> <li>3. Le levier d'étrangleur est en position sans étranglement " No Choke ".</li> <li>4. Branchez le fil de la bougie d'allumage.</li> <li>5. Déplacez le levier d'étranglement à la position sans étranglement.</li> </ol>
Aucune pression ou basse pression (à l'utilisation initiale)	<ol style="list-style-type: none"> <li>1. La lance n'est pas en position de haute pression.</li> <li>2. Alimentation en eau insuffisante.</li> <li>3. Fuite au raccord de boyau à haute pression.</li> <li>4. La buse est obstruée.</li> <li>5. Écran de filtrage d'eau obstrué.</li> </ol>	<ol style="list-style-type: none"> <li>1. Consultez le paragraphe « Utilisation de la lance » dans la section sur l'utilisation.</li> <li>2. La source d'eau doit acheminer au moins 5 gal./min à 20 lb/po<sup>2</sup>.</li> <li>3. Serrez le raccord. Appliquez du ruban d'étanchéité au besoin.</li> <li>4. Consultez le paragraphe " LANCE DE VAPORISATION " dans la section " Entretien " pour connaître la procédure correcte.</li> <li>5. Retirez le filtre et nettoyez-le.</li> </ol>

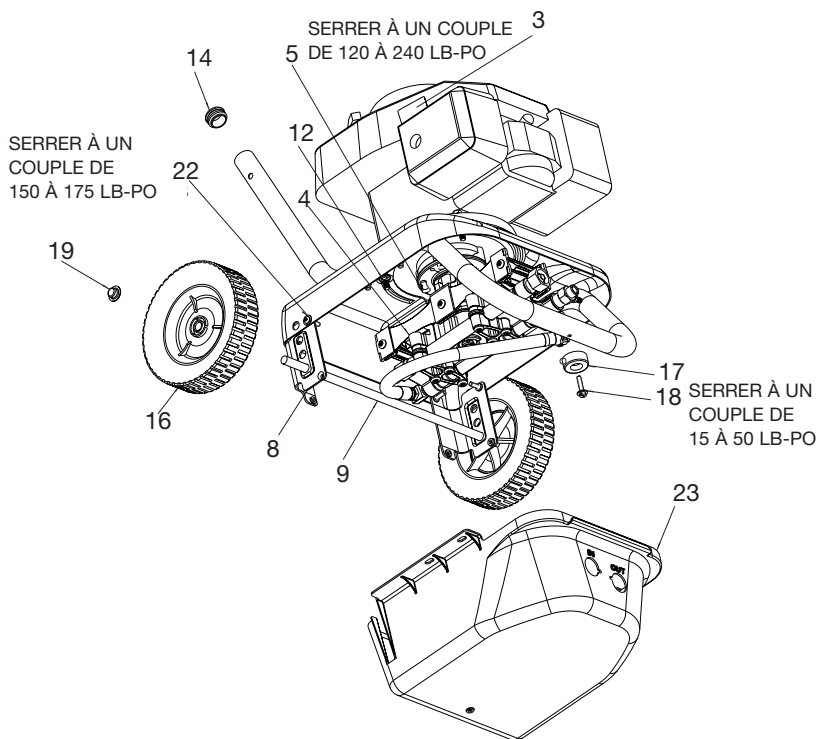
PROBLÈME	CAUSE	CORRECTION
<p>Aucune pression ou basse pression (à l'utilisation initiale) (suite)</p>	<ol style="list-style-type: none"> <li>6. De l'air se trouve dans le boyau.</li> <li>7. Le levier d'étrangleur est en position « Choke ».</li> <li>8. Le levier de commande des gaz n'est pas à la position rapide « Fast ».</li> <li>9. Le boyau à haute pression est trop long.</li> </ol>	<ol style="list-style-type: none"> <li>6. Arrêtez le moteur et fermez ensuite le robinet de la source d'eau. Débranchez la source d'eau de l'orifice d'entrée de la pompe et ouvrez le robinet de la source d'eau pour purger l'air du boyau. Lorsqu'un jet continu d'eau paraît, fermez le robinet de la source d'eau. Rebranchez la source d'eau à l'orifice d'entrée de la pompe et ouvrez la source d'eau. Appuyez sur la détente pour purger l'air qui reste.</li> <li>7. Réglez le levier d'étrangleur à la position « No Choke ».</li> <li>8. Réglez le levier de commande des gaz à la position rapide « Fast ».</li> <li>9. Utilisez un boyau à haute pression d'une longueur inférieure à 100 pieds.</li> </ol>
<p>Aucun produit chimique n'est aspiré</p>	<ol style="list-style-type: none"> <li>1. La lance n'est pas en position de basse pression.</li> <li>2. Le filtre de produit chimique est obstrué.</li> <li>3. L'écran de filtrage de produit chimique n'est pas submergé dans le produit chimique.</li> <li>4. Le produit chimique est trop épais.</li> <li>5. Le boyau à haute pression est trop long.</li> <li>6. Une accumulation de produit chimique dans l'injecteur de produit chimique.</li> </ol>	<ol style="list-style-type: none"> <li>1. Consultez le paragraphe « Utilisation de la lance » de la section « Utilisation ».</li> <li>2. Nettoyez le filtre.</li> <li>3. Assurez-vous que l'embout du boyau de produit chimique est entièrement submergé dans le produit chimique.</li> <li>4. Diluez le produit chimique. Le produit chimique devrait avoir la consistance d'eau.</li> <li>5. Utilisez un boyau d'eau plus long au lieu d'un boyau à haute pression plus long.</li> <li>6. Apportez les pièces à un CSGA pour le nettoyage ou le remplacement.</li> </ol>

<b>PROBLÈME</b>	<b>CAUSE</b>	<b>CORRECTION</b>
Aucune pression ou basse pression (après un certain temps d'utilisation normale)	<ol style="list-style-type: none"> <li>1. Joint d'étanchéité ou garniture usés.</li> <li>2. Soupapes usées ou obstruées.</li> <li>3. Piston de déchargeur usé.</li> </ol>	<ol style="list-style-type: none"> <li>1. Faire remplacer par un CSGA.</li> <li>2. Faire remplacer par un CSGA.</li> <li>3. Faire remplacer par un CSGA.</li> </ol>
Fuite d'eau au niveau de la connexion du pistolet/lance	<ol style="list-style-type: none"> <li>1. Joint torique usé ou brisé.</li> <li>2. Connexion de boyau desserrée.</li> </ol>	<ol style="list-style-type: none"> <li>1. Vérifiez et remplacez.</li> <li>2. Serrez.</li> </ol>
Fuite d'eau au niveau de la pompe	<ol style="list-style-type: none"> <li>1. Connexions desserrées.</li> <li>2. Garnitures de piston usées.</li> <li>3. Joints toriques usés.</li> <li>4. La tête de la pompe ou les tubes sont endommagés à cause du gel.</li> </ol>	<ol style="list-style-type: none"> <li>1. Serrez.</li> <li>2. Faire remplacer par un CSGA.</li> <li>3. Faire remplacer par un CSGA.</li> <li>4. Faire remplacer par un CSGA.</li> </ol>
La pompe fonctionne de façon pulsée	<ol style="list-style-type: none"> <li>1. Buse obstruée.</li> </ol>	<ol style="list-style-type: none"> <li>1. Consultez le paragraphe " LANCE DE VAPORISATION " dans la section " Entretien " pour connaître la procédure correcte.</li> </ol>

CSGA = Centre de service sous garantie autorisé

# PIÈCES DE RECHANGE

N° de modèle de la laveuse à pression 919.672101

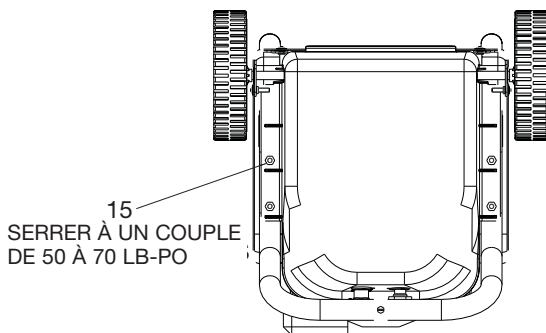
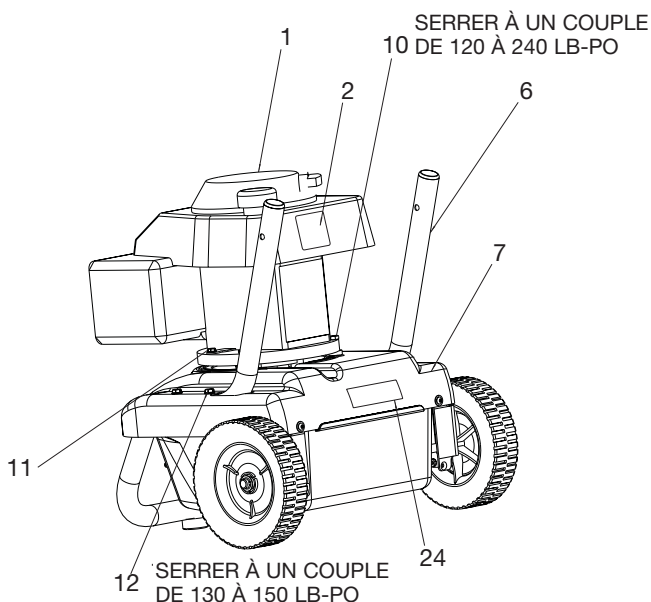


<b>N° d'article</b>	<b>N° de pièce</b>	<b>Description</b>
3	D23125	Étiquette de surface chaude
4	*	Trousse de pompe
5	D27152	Vis, 5/16-24 x 0.75
8	D22305	Support de roue
9	D22206	Essieu
13	16087	Écrou à embase
14	D22267	Bouchon
16	D22275	Pneu
17	D22268	Isolateur
18	D23208	Vis, 1/4-20
19	W137	Écrou Pal
22	D23208	Vis, 1/4-20 x 0.75
23	D21630	Flasque de pompe

\* Voir la vue éclatée pour identifier les pièces particulières

# PIÈCES DE RECHANGE

N° de modèle de la laveuse à pression 919.672101

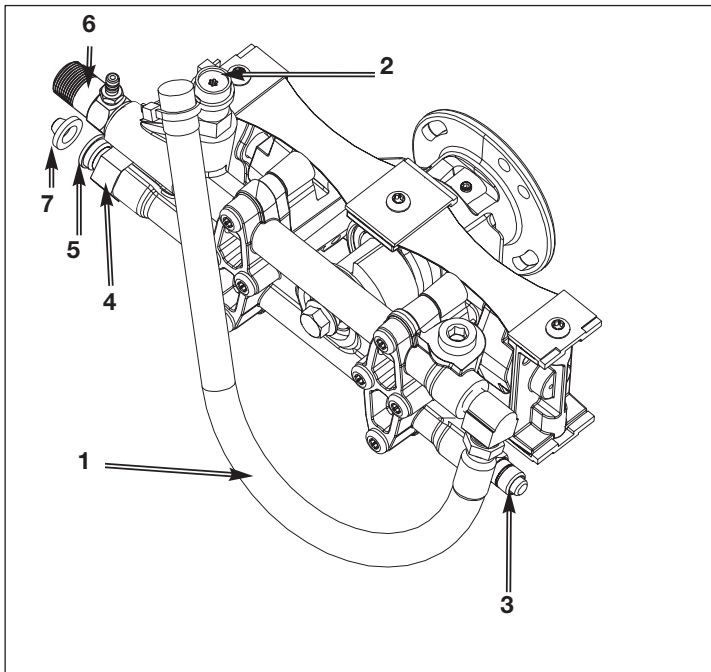


N° d'article	N° de pièce	Description
1	*	Moteur Briggs & Stratton
2	17050	Étiquette de danger
6	D22908	Châssis
7	D25074	Base
10	D22906	Vis, 5/16-18 x 1.25 (qté : 2)
11	D23186	Vis, 5/16-18 x 2.25 (qté : 1)
12	D22308	Vis, 5/16-18 x 2
15	D22692	Écrou, 5/16-18
24	D25087	Étiquette d'avertissement
<b>Non illustré</b>	D28236	Guide de l'utilisateur

\* Voir la vue éclatée pour identifier les pièces particulières

# PIÈCES DE RECHANGE

N° de modèle de la pompe refoulante D28703



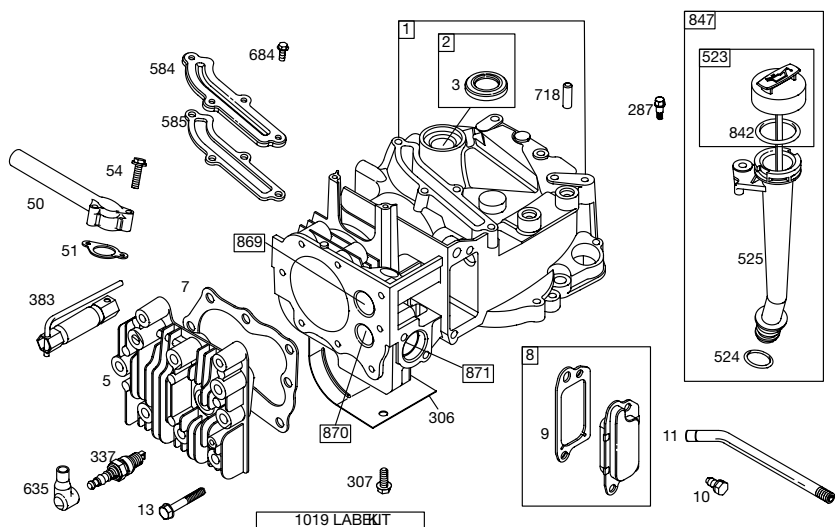
<u>N° d'article</u>	<u>N° de pièce</u>	<u>Description</u>
1	D20998	Boyau, 3/8 x 18 po, 2 200 lb/po <sup>2</sup>
2	16355	Ensemble de dispositif de marche à vide, 2 200 lb/po <sup>2</sup>
3	16848	Soupape de décharge thermique
4	H061	Écrou tournant de tuyau d'arrosage
5	H068	Joint articulé, 3/8 po
6	15125	Injecteur de produit chimique
7	F187	Écran pour tuyau d'arrosage

**Non illustré :**

H140      Boyau de produit chimique

# PIÈCES DE RECHANGE

N° de modèle du moteur Briggs & Stratton 128812-3112-D1



N° d'article N° de pièce

N° d'article	N° de pièce	Description
1	697322	Ensemble de cylindre
2	399269	Trousse de coussinet/joint (côté du magnéto)
3 ★	299819	Joint d'huile (côté du magnéto)
5	691160	Culasse
7 ★	692249	Jointe d'étanchéité de culasse
8	695250	Ensemble de reniflard
9	696125	Joint d'étanchéité de reniflard
10	691125	Vis (Ensemble de reniflard)
11	691781	Tube de reniflard
13	690912	Vis (Culasse)
50	497465	Tubulure d'admission
51 ★	272199	Joint d'étanchéité d'admission
54	691650	Vis (Tubulure d'admission)
287	690940	Vis (Tube de jauge d'huile)
306	690450	Bouclier de cylindre
307	690345	Vis (Bouclier de cylindre)
337	802592	Bougie d'allumage
383	89838	Clé de bougie d'allumage
523	495264	Jauge d'huile
524 ★	692296	Joint de tube de jauge d'huile
525	495265	Tube de jauge d'huile
584	692342	Couvercle de passage de reniflard

N° d'article N° de pièce

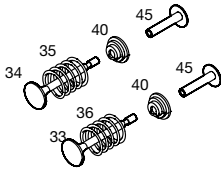
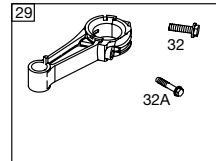
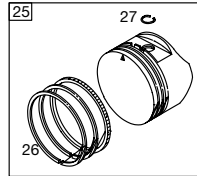
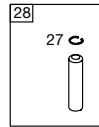
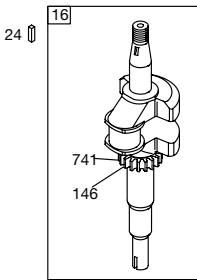
N° d'article	N° de pièce	Description
585 ★	691879	Joint d'étanchéité de passage de reniflard
635	66538	Soufflet de bougie d'allumage
684	690345	Vis (Couvercle de passage de reniflard)
718	690959	Goupille de position
842 ★	691031	Joint torique (Tube de jauge d'huile)
847	692017	Ensemble de jauge d'huile/tube
869	691155	Siège de soupape (admission)
870	690380	Siège de soupape (échappement)
871	262001	Coussinet de guide de soupape
_____	Remarque _____	
63709		Coussinet de guide de soupape (Soupape d'admission)
1019	494256	Trousse d'étiquettes

- ★ Fourni dans le jeu de joints d'étanchéité du moteur - Voir Réf. n° 358.
  - ◆ Fourni dans la trousse de remise en état du carburateur - Voir Réf. n° 121
  - Fourni dans le jeu de joints d'étanchéité du carburateur - Voir Réf. n° 977
- Les ensembles comprennent toutes les pièces illustrées dans les cadres.**



# PIÈCES DE RECHANGE

N° de modèle du moteur Briggs & Stratton 128812-3112-D1



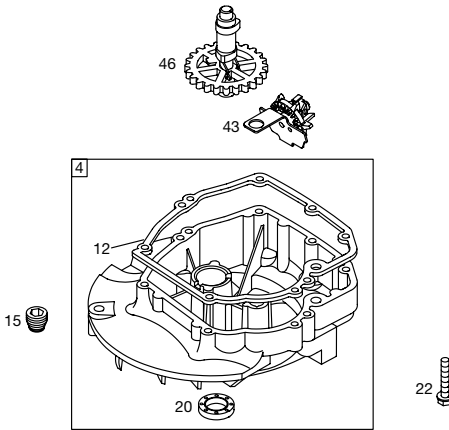
N° d'article	N° de pièce	Description	N° d'article	N° de pièce	Description
16	691455	Arbre de vilebrequin	<i>Remarque</i>		
24	222698	Clavette de volant moteur	29	499424	Bielle (standard)
25	499429	Ensemble de piston (standard)	32	691664	Vis (Bielle)
<i>Remarque</i>			32A	695759	Vis (Bielle)
499430		Ensemble de piston (0,010 po surdimensionné)	33	262651	Soupape d'échappement
499431		Ensemble de piston (0,020 po surdimensionné)	34	262652	Soupape d'admission
499432		Ensemble de piston (0,030 po surdimensionné)	35	691270	Ressort de soupape (admission)
26	499425	Jeu de segments (standard)	36	691270	Ressort de soupape (échappement)
<i>Remarque</i>			40	692194	Pièce de retenue de soupape
499426		Jeu de segments (0,010 po surdimensionné)	45	690548	Poussoir de soupape
499427		Jeu de segments (0,020 po surdimensionné)	146	690979	Clavette de distribution
499428		Jeu de segments (0,030 po surdimensionné)	741	691830	Engrenage de distribution
27	691866	Verrou d'axe de piston			
28	499423	Axe de piston (standard)			

- ★ Fourni dans le jeu de joints d'étanchéité du moteur - Voir Réf. n° 358
- ◆ Fourni dans la trousse de remise en état du carburateur - Voir Réf. n° 121
- Fourni dans le jeu de joints d'étanchéité du carburateur - Voir Réf. n° 977

**Les ensembles comprennent toutes les pièces illustrées dans les cadres.**

# PIÈCES DE RECHANGE

N° de modèle du moteur Briggs & Stratton 128812-3112-D1

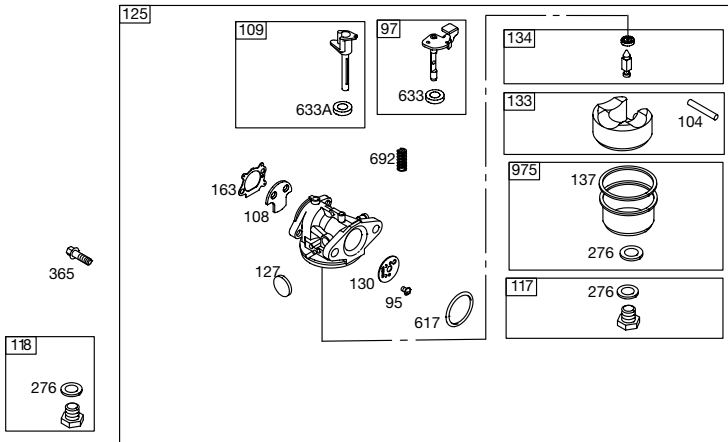


<u>N° d'article</u>	<u>N° de pièce</u>	<u>Description</u>	<u>N° d'article</u>	<u>N° de pièce</u>	<u>Description</u>
4	498983	Carter d'huile du moteur	20	★ 399781	Joint d'huile (côté de la prise de mouvement)
12	★ 692232	Joint d'étanchéité de carter	22	691092	Vis (Carter d'huile du moteur)
15	691680	Bouchon de vidange d'huile	43	691997	Déflecteur d'huile du régulateur
			46	691449	Arbre à cames

- ★ Fourni dans le jeu de joints d'étanchéité du moteur - Voir Réf. n° 358
  - ◆ Fourni dans la trousse de remise en état du carburateur - Voir Réf. n° 121
  - Fourni dans le jeu de joints d'étanchéité du carburateur - Voir Réf. n° 977
- Les ensembles comprennent toutes les pièces illustrées dans les cadres.**

# PIÈCES DE RECHANGE

N° de modèle du moteur Briggs & Stratton 128812-3112-D1



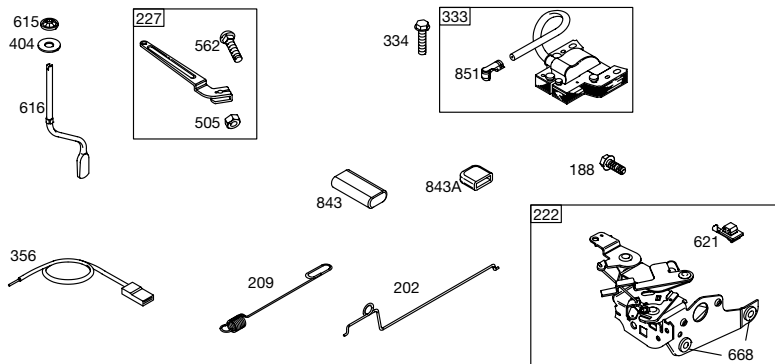
N° d'article	N° de pièce	Description	N° d'article	N° de pièce	Description
95	691636	Vis (Papillon des gaz)	137	●◆	693981 Joint d'étanchéité de cuvette de flotteur
97	493267	Arbre du papillon des gaz	163	★●◆	272653 Joint d'étanchéité de filtre à air
104 ●	691242	Axe de charnière de flotteur	276	●◆	271716 Rondelle d'étanchéité
108	691182	Soupape d'étrangleur	365	●◆	692524 Vis (Carburateur)
109	498593	Arbre d'étrangleur	617	●◆	270344 Joint torique (Tubulure d'admission)
117	498978	Jet principal (standard)	633	●◆	691321 Joint d'arbre d'étrangleur/papillon des gaz
118	498975	Jet principal (haute altitude)	633A		693867 Joint d'arbre d'étrangleur/papillon des gaz
125	499059	Carburateur	692		690572 Ressort de détente
127 ●	694468	Bouchon obturateur	975		493640 Cuvette de flotteur
130	691203	Papillon des gaz			
133	398187	Flotteur de carburateur			
134 ●	398188	Trousse d'aiguille/siège			

- ★ Fourni dans le jeu de joints d'étanchéité du moteur - Voir Réf. n° 358
- ◆ Fourni dans la trousse de remise en état du carburateur - Voir Réf. n° 121
- Fourni dans le jeu de joints d'étanchéité du carburateur - Voir Réf. n° 977

**Les ensembles comprennent toutes les pièces illustrées dans les cadres.**

# PIÈCES DE RECHANGE

N° de modèle du moteur Briggs & Stratton 128812-3112-D1



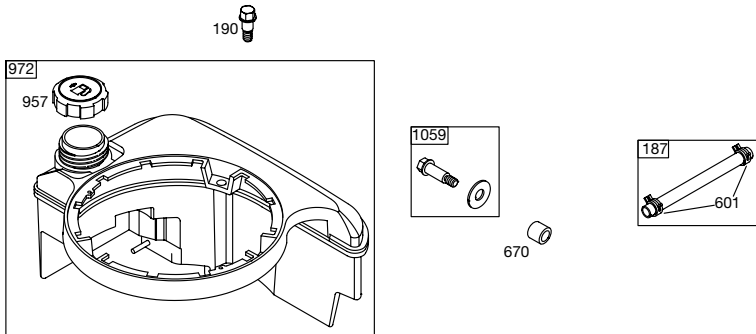
<u>N° d'article</u>	<u>N° de pièce</u>	<u>Description</u>	<u>N° d'article</u>	<u>N° de pièce</u>	<u>Description</u>
188	690877	Vis (Support de commande)	562	92613	Boulon (Lever de commande du régulateur)
202	691829	Liaison de régulateur mécanique	615	690340	Arbre de retenue du régulateur
209	691291	Ressort de régulateur	616	691308	Manivelle de régulateur
222	692150	Support de commande	621	692310	Interrupteur d'arrêt
227	690783	Lever de commande du régulateur	668	★ 493823	Entretoise (2 fournies)
333	802574	Armature de magnéto	843	691895	Manchon de levier (Étrangleur)
334	691061	Vis (Armature de magnéto)	843A	691884	Manchon de levier (Commande de vitesse)
356	692390	Fil d'arrêt	851	493880	Borne de bougie d'allumage
404	690272	Rondelle (Manivelle du régulateur)			
505	231082	Écrou (Lever de commande du régulateur)			

- ★ Fourni dans le jeu de joints d'étanchéité du moteur - Voir Réf. n° 358
- ◆ Fourni dans la trousse de remise en état du carburateur - Voir Réf. n° 121
- Fourni dans le jeu de joints d'étanchéité du carburateur - Voir Réf. n° 977

**Les ensembles comprennent toutes les pièces illustrées dans les cadres.**

# PIÈCES DE RECHANGE

N° de modèle du moteur Briggs & Stratton 128812-3112-D1



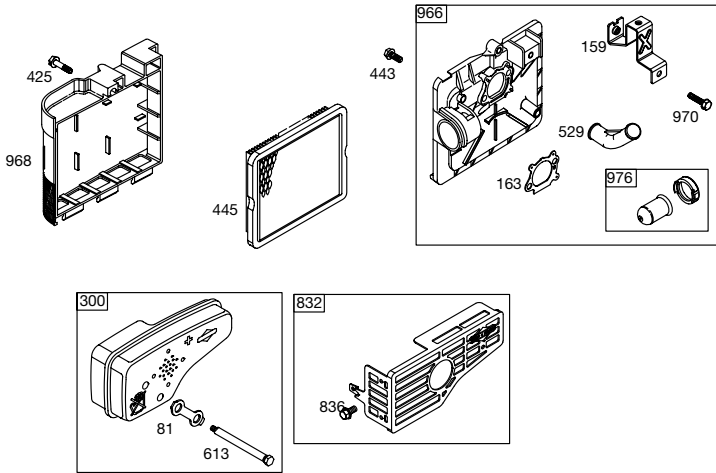
<u>N° d'article</u>	<u>N° de pièce</u>	<u>Description</u>	<u>N° d'article</u>	<u>N° de pièce</u>	<u>Description</u>
187	691050	Canalisation de carburant (à couper à la longueur requise)	670	692294	Entretoise de réservoir à carburant
190	690940	Vis (Réservoir à carburant)	957	397974	Bouchon de réservoir à carburant
601	95162	Collier de boyau	972	495224	Réservoir à carburant
			1059	692311	Trousse de vis/rondelle

- ★ Fourni dans le jeu de joints d'étanchéité du moteur - Voir Réf. n° 358
- ◆ Fourni dans la trousse de remise en état du carburateur - Voir Réf. n° 121
- Fourni dans le jeu de joints d'étanchéité du carburateur - Voir Réf. n° 977

**Les ensembles comprennent toutes les pièces illustrées dans les cadres.**

# PIÈCES DE RECHANGE

N° de modèle du moteur Briggs & Stratton 128812-3112-D1



<u>N° d'article</u>	<u>N° de pièce</u>	<u>Description</u>	<u>N° d'article</u>	<u>N° de pièce</u>	<u>Description</u>
81	691740	Verrou de vis de silencieux	613	691340	Vis (Silencieux)
159	691753	Support d'amorceur de filtre à air	832	499034	Protecteur de silencieux
163 ★●◆	272653	Joint d'étanchéité de filtre à air	836	690664	Vis (Protecteur de silencieux)
300	496106	Silencieux	966	496116	Base d'amorceur de filtre à air
425	690670	Vis (Couvercle de filtre à air)	968	692298	Couvercle de filtre à air
443	692523	Vis (Base d'amorceur de filtre à air)	970	691669	Vis (Support d'amorceur de filtre à air)
445	491588	Filtre de cartouche de filtrage d'air	976	694395	Amorceur de carburateur
529	691923	Oeillet			

★ Fourni dans le jeu de joints d'étanchéité du moteur - Voir Réf. n° 358

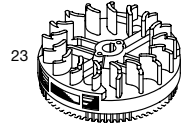
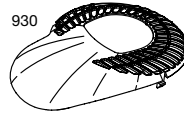
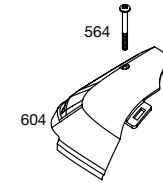
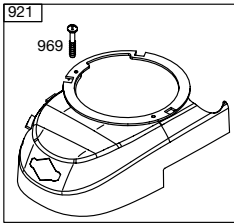
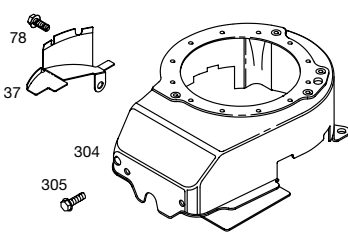
◆ Fourni dans la trousse de remise en état du carburateur - Voir Réf. n° 121

● Fourni dans le jeu de joints d'étanchéité du carburateur - Voir Réf. n° 977

**Les ensembles comprennent toutes les pièces illustrées dans les cadres.**

# PIÈCES DE RECHANGE

N° de modèle du moteur Briggs & Stratton 128812-3112-D1



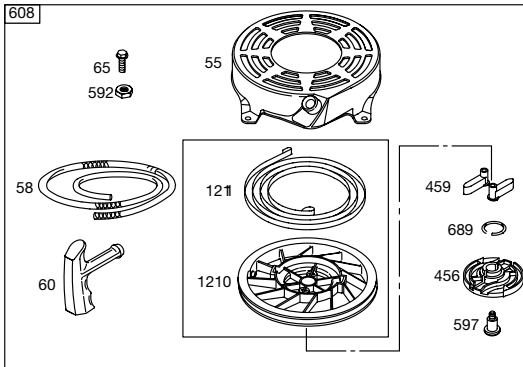
1036 ÉTIQUETTE DES ÉMISSIONS

N° d'article	N° de pièce	Description	N° d'article	N° de pièce	Description
23	691992	Volant moteur	564	691142	Vis (Couvercle des commandes)
37	694086	Protecteur de volant moteur	604	691344	Couvercle des commandes
78	691108	Vis (Protecteur de volant moteur)	921	695886	Couvercle de boîtier de soufflante
304	493294	Logement de	930	691345	Protecteur de dispositif de rappel
soufflerie			969	691138	Vis (Couvercle de boîtier de soufflante)
305	691108	Vis (Boîtier de soufflante)	1036	697378	Étiquette des émissions
332	690662	Écrou (Volant moteur)			
363	19069	Extracteur de volant moteur			
455	695161	Cuvette de volant			

- ★ Fourni dans le jeu de joints d'étanchéité du moteur - Voir Réf. n° 358
  - ◆ Fourni dans la trousse de remise en état du carburateur - Voir Réf. n° 121
  - Fourni dans le jeu de joints d'étanchéité du carburateur - Voir Réf. n° 977
- Les ensembles comprennent toutes les pièces illustrées dans les cadres.**

## PIÈCES DE RECHANGE

N° de modèle du moteur Briggs & Stratton 128812-3112-D1



N° d'article	N° de pièce	Description	N° d'article	N° de pièce	Description
55	691421	Boîtier de démarreur à rappel	592	690800	Écrou (Démarreur à rappel)
58	692259	Cordon de démarreur (à couper à la longueur requise)	597	691696	Vis (Plaque de friction de cliquet)
60	281434	Prise de cordon de démarreur	608	497680	Démarreur à rappel
65	690837	Vis (Démarreur à rappel)	689	691855	Ressort de friction
456	692299	Plaque de friction de cliquet	1210	498144	Ensemble de poulie/ressort (Poulie)
459	281505	Cliquet	1211	498144	Ensemble de poulie/ressort (Ressort)

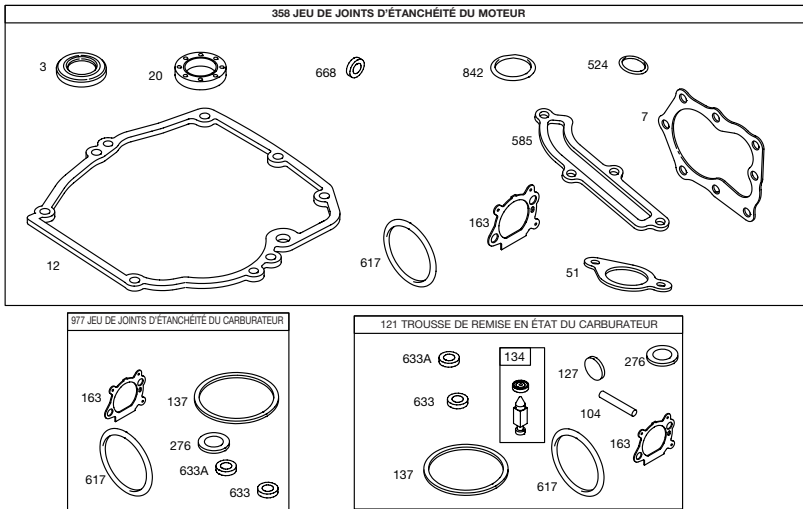
- ★ Fourni dans le jeu de joints d'étanchéité du moteur - Voir Réf. n° 358
- ◆ Fourni dans la trousse de remise en état du carburateur - Voir Réf. n° 121
- Fourni dans le jeu de joints d'étanchéité du carburateur - Voir Réf. n° 977

**Les ensembles comprennent toutes les pièces illustrées dans les cadres.**



# PIÈCES DE RECHANGE

N° de modèle du moteur Briggs & Stratton 128812-3112-D1



N° d'article	N° de pièce	Description	N° d'article	N° de pièce	Description
3 ★	299819	Joint d'huile (côté du magnéto)	358	497316	Jeu de joints d'étanchéité du moteur
7 ★Ø	692249	Joint d'étanchéité de culasse	524 ★	692296	Joint de tube de jauge d'huile
9 ★Ø	272481	Joint d'étanchéité de reniflard	585 ★	691879	Joint d'étanchéité de passage de reniflard
12 ★	692232	Joint d'étanchéité de carter	617 ★●◆	270344	Joint torique (tubulure d'admission)
20 ★	399781	Joint d'huile (côté PTO)	633	691321	Joint d'arbre d'étrangleur/papillon des gaz
51 ★	272199	Joint d'étanchéité d'admission	633A ●◆	693867	Joint d'arbre d'étrangleur/papillon des gaz
104 ●	691242	Axe de charnière de flotteur	668 ★	493823	Entretoise (2 fournies)
121	498260	Trousse de remise en état du carburateur	842 ★	691031	Joint torique (Tube de jauge d'huile)
127 ●	694468	Bouchon obturateur	977	498261	Jeu de joints d'étanchéité du carburateur
134 ●	398188	Trousse d'aiguille/siège	1095	498528	Jeu de joints d'étanchéité de soupape
137 ●◆	693981	Joint d'étanchéité de cuvette de flotteur			
163 ★●◆	272653	Joint d'étanchéité de filtre à air			
276 ●◆	271716	Rondelle d'étanchéité			

- ★ Fourni dans le jeu de joints d'étanchéité du moteur - Voir Réf. n° 358
  - ◆ Fourni dans la trousse de remise en état du carburateur - Voir Réf. n° 121
  - Fourni dans le jeu de joints d'étanchéité du carburateur - Voir Réf. n° 977
- Les ensembles comprennent toutes les pièces illustrées dans les cadres.**

## REMARQUE

## REMARQUE

# Get it fixed, at your home or ours!

Just Call:

**1-800-4-MY-HOME®**

(1-800-469-4663)

24 hours a day, 7 days a week

For the repair of major brand appliances **in your own home...**  
no matter who made it, no matter who sold it!

For your nearest **Sears Parts and Service** location,  
to bring in products like vacuums, lawn equipment and electronics.

For **Sears Parts & Service**, to order the replacement parts,  
accessories and owner's manuals that you need to do-it-yourself.

[www.sears.ca](http://www.sears.ca)

---

To purchase or inquire about a Sears Maintenance Agreement, call:

**1-800-361-6665**

9 a.m. – 8 p.m. EST, Mon. – Fri., 4 p.m. Sat.

---

Pour service en français:

**1-800-LE-FOYER<sup>MC</sup>**

(1-800-533-6937)

[www.sears.ca](http://www.sears.ca)



® / ™ Trademarks of Sears, Roebuck and Co. used under license by Sears Canada

MC / MD Marque de commerce / déposée de Sears, Roebuck and Co. utilisée en vertu d'une licence de Sears Canada

© Sears

## Free Manuals Download Website

<http://myh66.com>

<http://usermanuals.us>

<http://www.somanuals.com>

<http://www.4manuals.cc>

<http://www.manual-lib.com>

<http://www.404manual.com>

<http://www.luxmanual.com>

<http://aubethermostatmanual.com>

Golf course search by state

<http://golfingnear.com>

Email search by domain

<http://emailbydomain.com>

Auto manuals search

<http://auto.somanuals.com>

TV manuals search

<http://tv.somanuals.com>