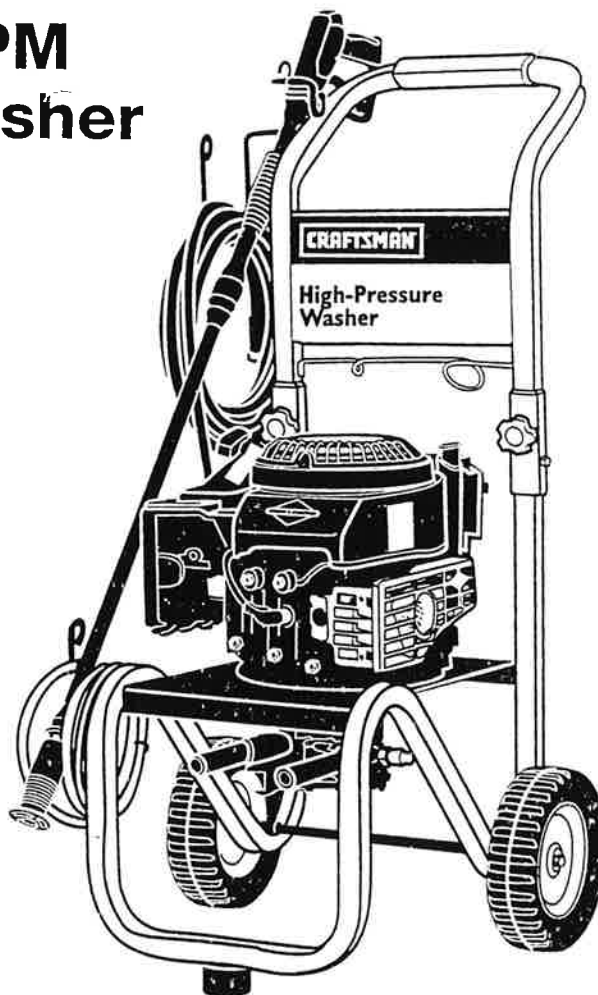


OWNER'S MANUAL

CRAFTSMAN

**5.0 Horsepower
1800 PSI 2.0 GPM
High Pressure Washer**

**Model No:
919.679180**



WARNING: Before using this product, read this manual and follow all Safety Rules and Operating Instructions.

**PRESSURE WASHER
CUSTOMER
HELPLINE
1-800-245-5873**

- Safety
- Assembly
- Operation
- Maintenance
- Parts List
- Français

Sold by Sears Canada, Inc., Toronto, Ont. M5B2B8

TABLE OF CONTENTS

Warranty	2	Service and Adjustments	13-14
Safety Guidelines	3-4	Storage	14
Assembly	5-6	Troubleshooting	15
Operation	6-9	Parts	16-27
Product Specifications	10	EPA Codes	28-29
Maintenance	10-12	How to Order Parts	Back Cover

FULL ONE YEAR WARRANTY ON CRAFTSMAN HIGH PRESSURE WASHER

For one year from the date of purchase, when this Craftsman High Pressure Washer is maintained and operated according to the instructions in the owner's manual, Sears will repair, free of charge, any defect in material and workmanship.

If your Craftsman Pressure Washer is used for commercial or rental purposes, this warranty applies only for 90 days from the date of purchase. If this washer is used for rented purposes this warranty applies for only 30 days from the date of purchase.

FULL TWO YEAR WARRANTY ON CRAFTSMAN ENGINE

For two years from the date of purchase, when this Craftsman engine is maintained and operated according to the instructions in the owner's manual, Sears will repair, free of charge, any defect in material and workmanship.

If your Craftsman engine is used for commercial or rental purposes, this warranty applies only for one year from the date of purchase. This warranty does not cover expendable items such as spark plugs and air filters, which become worn during normal use.

Repairs necessary because of operator abuse or negligence, including damage resulting from no water being supplied to pump or failure to maintain the equipment according to the instructions contained in the owner's manual, are not covered under warranty.

WARRANTY SERVICE IS AVAILABLE BY RETURNING THE HIGH PRESSURE WASHER TO THE NEAREST SEARS SERVICE CENTER THROUGHOUT THE UNITED STATES. This warranty gives you specific legal rights and you may also have other rights, which vary from state to state.

Sold by Sears Canada, Inc., Toronto, Ont. M5B2B8

SAFETY GUIDELINES - DEFINITIONS

This manual contains information that is important for you to know and understand. This information relates to protecting **YOUR SAFETY** and **PREVENTING EQUIPMENT PROBLEMS**. To help you recognize this information, we use the symbols below. Please read the manual and pay attention to these sections. **SAVE THESE DEFINITIONS/INSTRUCTIONS.**

▲ **WARNING** indicates a potentially hazardous situation which, if not avoided, **could** result in **death or serious injury**.

▲ **DANGER** indicates an imminently hazardous situation which, if not avoided, **will** result in **death or serious injury**.





▲ **CAUTION** indicates a potentially hazardous situation which, if not avoided, **may** result in **minor or moderate injury**.

10/2/97






IMPORTANT SAFETY INSTRUCTIONS

▲ WARNING









Improper operation or maintenance of this product could result in serious injury and property damage. Read and understand all warnings and operating instructions before using.

HAZARD	WHAT CAN HAPPEN	HOW TO PREVENT IT
<div style="text-align: center;">  <p>DANGER</p> <p>RISK OF EXPLOSION OR FIRE</p>  </div>	<ul style="list-style-type: none"> • Spilled gasoline and its vapors can become ignited from cigarette sparks, electrical arcing, exhaust gases, and hot engine components such as the muffler. • Heat will expand fuel in the tank which could result in spillage and possible fire explosion. • Operating the pressure washer in an explosive environment could result in a fire. • Materials placed against or near the pressure washer can interfere with its proper ventilation features causing overheating and possible ignition of the materials. • Improperly stored fuel could lead to accidental ignition. Fuel improperly secured could get into the hands of children or other unqualified persons. 	<ul style="list-style-type: none"> • Shut off engine and allow it to cool before adding fuel to the tank. • Use care in filling tank to avoid spilling fuel. Move pressure washer away from fueling area before starting engine. • Keep maximum fuel level ½ below top of tank to allow for expansion. • Operate and fuel equipment in well ventilated areas free from obstructions. Equip areas with fire extinguishers suitable for gasoline fires. • Never operate pressure washer in an area containing dry brush or weeds. • Store fuel in container approved for gasoline, in a secure location away from work area.
<div style="text-align: center;">  <p>DANGER</p> <p>RISK TO BREATHING</p>  </div>	<ul style="list-style-type: none"> • Breathing exhaust fumes will cause serious injury or death. • Some cleaning fluids contain substances which could cause injury to skin, eyes, or lungs. 	<ul style="list-style-type: none"> • Operate pressure washer in a well ventilated area. Avoid enclosed areas such as garages, basements, etc. • Never operate unit in a location occupied by humans or animals. • Use only cleaning fluids specifically recommended for high pressure washers. Follow manufacturers recommendations.

IMPORTANT SAFETY INSTRUCTIONS (cont'd)

HAZARD	WHAT CAN HAPPEN	HOW TO PREVENT IT
<p>⚠ WARNING RISK OF UNSAFE OPERATION</p> 	<ul style="list-style-type: none"> • Unsafe operation of your pressure washer could lead to serious injury or death to you or others. • The spray gun/wand is a powerful cleaning tool that could look like a toy to a child. • Reactive force of spray will cause gun/wand to move, and could cause the operator to slip or fall, or misdirect the spray. Improper control of gun/wand can result in injuries to self and others. 	<ul style="list-style-type: none"> • Become familiar with the operation and controls of the pressure washer. • Keep children away from the pressure washer at all times. • Never defeat the safety features of this product. • Do not operate machine with missing, broken, or unauthorized parts. • Never leave wand unattended while unit is running. • Keep work area free of obstacles. • Stand on a stable surface and grip gun/wand firmly. Expect the gun to kick when triggered.
<p>⚠ WARNING RISK OF INJURY FROM SPRAY</p> 	<ul style="list-style-type: none"> • High velocity fluid spray can cause objects to break, propelling particles at high speed. • Light or unsecured objects can become hazardous projectiles. 	<ul style="list-style-type: none"> • Always wear ANSI approved Z87 safety glasses. Wear protective clothing to protect against accidental spraying. • Never point wand at, or spray people or animals. • Always secure trigger lock when wand is not in service to prevent accidental operation. • Never permanently secure trigger in pull back (open) position.
<p>⚠ WARNING RISK OF ELECTRICAL SHOCK</p> 	<ul style="list-style-type: none"> • Spray directed at electrical outlets or switches, or objects connected to an electrical circuit, could result in a fatal electrical shock. 	<ul style="list-style-type: none"> • Unplug any electrically operated product before attempting to clean it. Direct spray away from electric outlets and switches.
<p>⚠ WARNING RISK OF FLUID INJECTION</p> 	<ul style="list-style-type: none"> • Your washer operates at fluid pressures and velocities high enough to penetrate human and animal flesh, which could result in amputation or other serious injury. Leaks caused by loose fittings or worn or damaged hoses can result in injection injuries. DO NOT TREAT FLUID INJECTION AS A SIMPLE CUT! See a physician immediately! • Relieve system pressure before attempting maintenance or disassembly of equipment. 	<ul style="list-style-type: none"> • Never place hands in front of nozzle. • Direct spray away from self and others. • Make sure hose and fittings are tightened and in good condition. Never hold onto the hose or fittings during operation. • Do not allow hose to contact muffler. • Never attach or remove wand or hose fittings while system is pressurized. • Use only hose and high pressure accessories rated for 1800 PSI service. • To relieve system pressure, shut off engine, turn off water supply, and pull gun trigger until water stops flowing.
<p>⚠ WARNING RISK OF CHEMICAL BURN</p> 	<ul style="list-style-type: none"> • Use of acids, toxic or corrosive chemicals, poisons, insecticides, or any kind of flammable solvent with this product could result in serious injury or death. 	<ul style="list-style-type: none"> • Do not use acids, gasoline, kerosene, or any other flammable materials in this product. Use only household detergents, cleaners and degreasers recommended for use in pressure washers. • Wear protective clothing to protect eyes and skin from contact with sprayed materials.

IMPORTANT SAFETY INSTRUCTIONS (cont'd)

HAZARD	WHAT CAN HAPPEN	HOW TO PREVENT IT
<p>⚠ WARNING RISK OF HOT SURFACES</p> 	<ul style="list-style-type: none"> Contact with hot surfaces, such as engines exhaust components, could result in serious burn. 	<ul style="list-style-type: none"> During operation, touch only the control surfaces of the pressure washer. Keep children away from the pressure washer at all times. They may not be able to recognize the hazards of this product.
<p>International Symbols</p>  	<p>Safety Alert - Read Owner's Manual</p>  On Off  Stoop	 Fuel Shutoff  Fuel  Choke

⚠ CAUTION

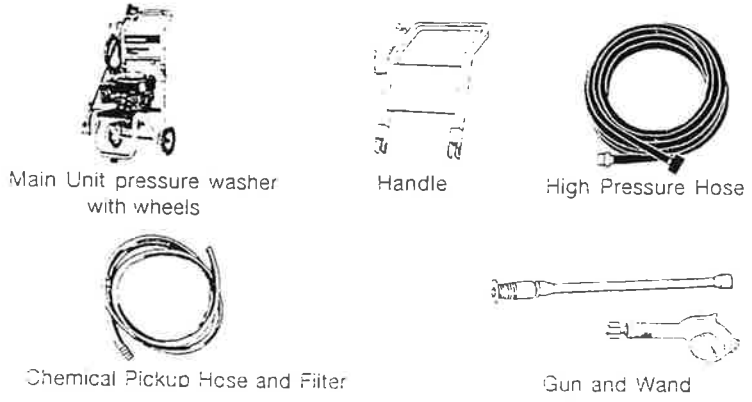
The powerful spray from your pressure washer is capable of causing damage to fragile surfaces such as: wood, glass, automobile paint, auto stripping and trim, and delicate objects such as flowers and shrubs. Before spraying, check the item to be cleaned to assure yourself that it is robust enough to resist damage from the force of the spray. Avoid the use of the concentrated spray stream except for very strong surfaces like concrete and steel.

Operating unit with water supply shut off without flow of water will result in equipment damage. You should never run this pressure washer for more than 2 minutes without pulling the trigger to allow cool water to enter the pump and the heated (recirculated) water to exit. Running the pressure washer with water supply shut off will void your warranty.

ASSEMBLY

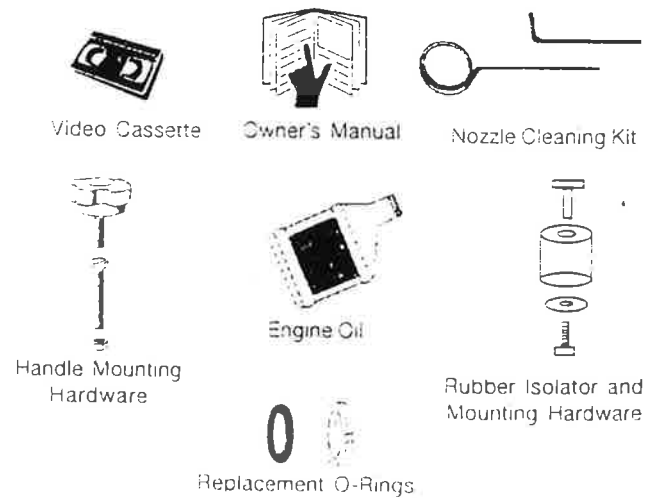
Carton Contents

- Main Unit pressure washer with wheels
- Handle
- High Pressure Hose
- Chemical Pickup Hose and Filter
- Gun
- Wand



• Bag Containing

- Video Cassette
- Owner's Manual
- Nozzle Cleaning Kit and Replacement O-Rings
- Engine Oil
- Rubber Isolator and Mounting Hardware
- Handle Mounting Hardware



Tools Required for Assembly

Adjustable wrench

Allen wrench

Remove Pressure Washer from Carton

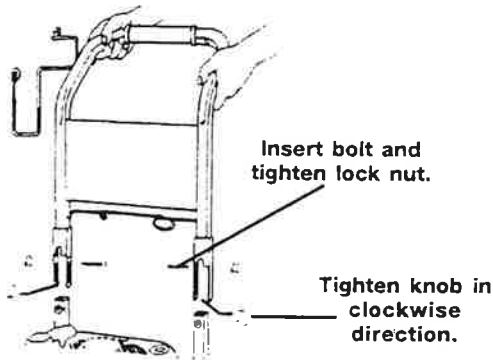
- Open carton from the top. Locate and remove from box the handle, gun, wand, videotape, and oil.
- Cut carton along dotted lines.
- Remove all carton inserts.
- Roll unit through opening in carton.

NOTE: The hose is located at the bottom of the box.

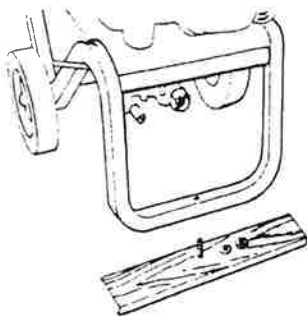
Preparing the Pressure Washer for First Use

Note: Included with your pressure washer is a video cassette tape on how to prepare your unit for operation. It is recommended you view this tape before performing the next steps.

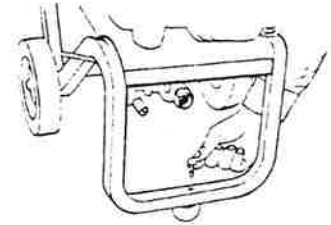
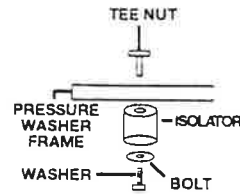
1. Insert handle onto frame.
 - Insert knobs into the threaded slot in front of the frame handle and tighten by turning in a clockwise direction.
 - Slide bolts into the slot in the side of the frame handle and tighten the nut by turning in a clockwise direction.



2. Using an adjustable wrench, remove nut from bolt that attaches board to frame. Remove wood plank from the frame of the unit. Discard bolt and board.



3. Mount the rubber isolator to the frame. To mount isolator place threaded end of bolt through the washer.
 - Next with washer on bolt place threaded end of bolt through the larger hole in bottom of the rubber isolator.
 - Place threaded portion of bolt through the same hole location the wood plank was mounted to on the pressure washer.
 - Next place the tee nut over the threaded portion of the bolt and use the allen wrench provided to tighten isolator to the frame.



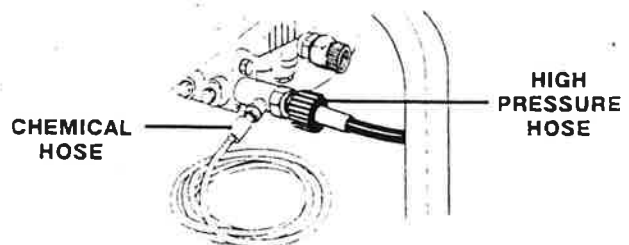
4. Connect wand extension to gun. To tighten, turn knob in clockwise direction. Hand tighten.



5. Remove tie wrap off of high pressure hose. Unwind high pressure hose and attach the threaded end to the gun. Tighten with adjustable wrench.

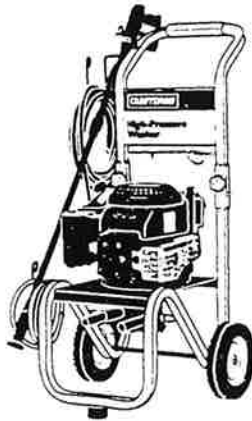


6. Connect high pressure hose to outlet on pressure washer and hand tighten firmly. Connect chemical pickup hose to hose barb on pump.



NOTE: Always keep hose away from engine muffler.

- Place assembled gun and wand on pressure washer holder.



- Place pull cord into the wire bracket holder. Pull the cord under the wire bracket to the right of the wire loop.

Pull the cord under the wire bracket to the right of the wire loop. Lift the pull cord handle up and slide the cord to the left sliding the cord into the wire loop. Next slide handle behind the wire bracket to the left of the wire loop. Engine recoil will pull the cord into its final position.

Checklist

Before going any further please review the following:

- Be sure you have completed assembly instructions.
- Double check all fittings to be sure they are tight.

IMPORTANT: Before any attempt to start your pressure washer be sure to check engine oil (See Operation under Adding Engine Oil.)

OPERATION

Know Your High Pressure Washer

Read this Owner's Manual and Safety Rules before operation of your High Pressure Washer Compare this illustration with our pressure washer to familiarize yourself with the location of various controls and adjustments. Save this manual for future reference.

PUMP- Develops high pressure.

PRESSURE REGULATOR- Allows you to adjust the pressure of the outlet stream.

ENGINE RUN/STOP SWITCH- Sets engine in starting mode for recoil starter — **Stops** running engine.

RECOIL STARTER- Used for starting the engine manually.

SPRAY GUN ASSEMBLY (Contains Gun and Wand)- Controls the application of water onto cleaning surface with trigger device.

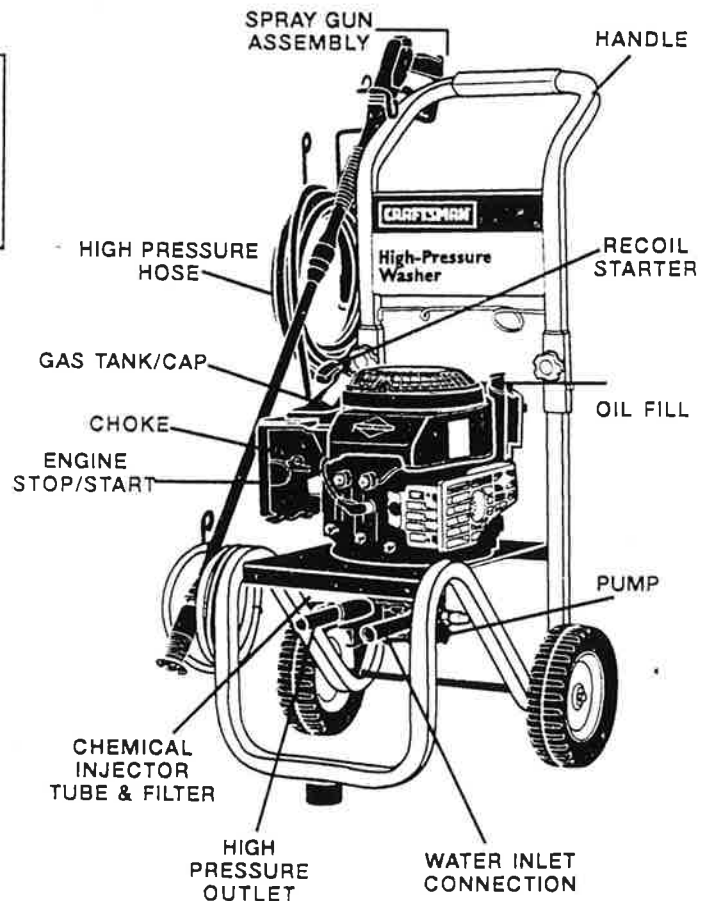
OIL FILL- Port where engine oil is poured.

GAS TANK/CAP- Cap is removed and unleaded gasoline is poured.

CHEMICAL INJECTION TUBE AND FILTER- Mixes water and detergent in outlet water flow.

HIGH PRESSURE OUTLET- Connection for high pressure hose.

CHOKE- Lever used for starting unit.



▲ WARNING: Read Owner's Manual. Do not attempt to operate equipment until you have read Owners Manual for Safety, Operation, and Maintenance Instructions.

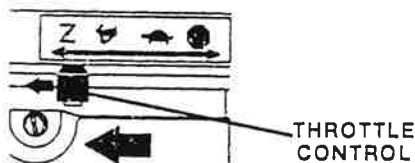
Note: Included with your unit is a video cassette that demonstrates how to operate your pressure washer. If you have a video cassette recorder you should to view the video before operation.

▲ WARNING: Never adjust spray pattern when spraying. Never put hands in front of spray nozzle to adjust spray pattern you could be injured.

Stopping Your Pressure Washer

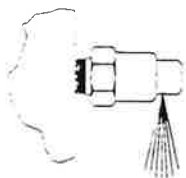
▲ CAUTION: Do not run pump without the water supply connected and turned on. Failure to do so will result in pump damage.

- Move throttle control to the stop position to turn pressure washer off.



- Simply shutting OFF engine will not release pressure in the system. After engine has stopped, squeeze the trigger on the spray gun for about 3 seconds to relieve pressure. Spray stream will decrease in length.

IMPORTANT: This unit is equipped with a thermal relief valve. If unit is allowed to run for several minutes without pressing the trigger on the spray gun, several drops of water may be released through this valve to cool the unit. This small amount of water will drip from the bottom of the pump.



Before Starting The Engine

To operate the engine you will need to do the following.

Note: Your pressure washer pump is a sealed pump, you should never have to add or change the oil.

▲ CAUTION: Always check engine oil level before every start. Running engine low of oil or out of oil could result in serious damage.

Engine Oil

Your unit has been shipped **without** oil in the engine. A bottle of SAE 30 weight oil is included in the carton. Remove oil dip stick located on top of the engine. Oil capacity is about 20 ounces of oil. The oil dip stick is clearly marked with a line that tells you when unit has enough oil. To check oil, place dipstick into oil fill. Tighten dipstick then remove. Do not fill above this point. Pour slowly.



NOTE: When adding oil to the engine crankcase, use a high quality detergent oil classified "For Service SF, SG, SH, rated SAE 30 weight. Use no special additives. Select the oil's viscosity grade according to your expected operating temperatures.

colder <-----40°F-----> warmer
Synthetic 5W-30 I SAE 30

Although multi-viscosity oils (5W30, 10W30, etc.) improve starting in cold weather, these multi-viscosity oils will result in increased oil consumption when used above 40°F Check your engine oil level more frequently to avoid possible damage from running low on oil . Oil sump capacity is 20 ounces.

Gasoline

Your pressure washer engine is 4 cycle. Use unleaded fuel only.

▲ CAUTION: Do not overfill the fuel tank. Always allow room for fuel expansion.

▲ WARNING: Never fill fuel tank indoors. To avoid explosion and injury, never fill fuel tank when engine is running or hot. Do not smoke or have open flame when filling fuel tank.

Use clean, fresh, regular unleaded gasoline with a minimum of 85 octane. Do not mix oil with gasoline. If unleaded fuel is unavailable leaded fuel may be used.

IMPORTANT: It is important to prevent gum deposits from forming in essential fuel system parts such as the carburetor, fuel filter hose or tank during storage. Also, experience indicates that alcohol-blended fuels (called gasohol or using ethanol or methanol) can attract moisture which leads to separation and formation of acids during storage. Acidic gas can damage the fuel system of an engine while in storage. To avoid engine problems, the fuel system should be emptied before storage of 30 days or longer. Never use engine or carburetor cleaner products in the fuel tank or permanent damage may occur.

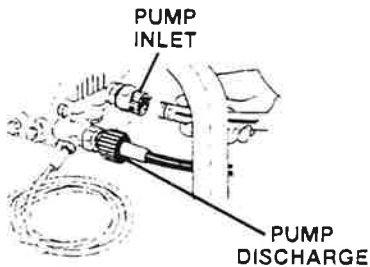
CAUTION: Never start pressure washer without water source turned on and connected to pressure washer. Failure to do so will cause pump damage.

To Start Your Pressure Washer

- Remove gas cap.
- Add unleaded gasoline, slowly, to fuel tank.
- Do not overfill.



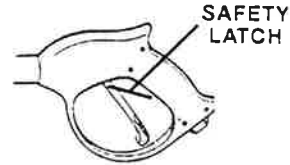
- Connect garden hose to the water inlet on the pressure washer. Tighten by turning counterclockwise.



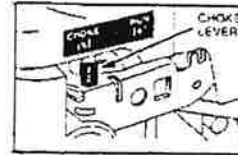
- Connect high pressure hose to discharge on pump.
- Connect the garden hose to the water spout and turn water supply on.



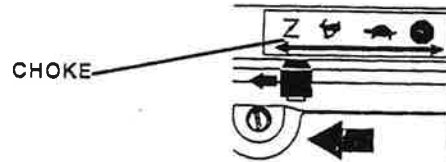
- Squeeze trigger on pressure washer wand to relieve air pressure caused by turning on the water. Water will spew out of the gun in a thin stream. This will make it easier to start the engine.
- Engage the safety latch on the spray gun. This locks the trigger in place and keeps you from accidentally spraying a high pressure stream.



- On the engine there is a choke/run lever. Place lever to the choke position.



- On the engine there is a throttle control lever. Place throttle to the rabbit position. Always start engine with throttle in the rabbit (high speed) position.



- Grasp the starter grip and pull slowly until resistance is felt, then pull firmly to start engine.

NOTE: If engine does not start right away, squeeze the trigger on the gun to relieve air pressure caused by turning on the water. Water will spew out of the gun in a thin stream. This will make it easier to pull start the engine. If more than five pulls, place choke level back to run position.

- When engine starts, gradually move choke lever to RUN position.
- For hot engine restarts, make sure throttle is in the rabbit (high speed) position and the choke lever is in the RUN position.
- Grasp the starter grip and pull slowly until resistance is felt, then pull firmly to start engine.

How To Use Your Pressure Washer

On the end of your spray gun is a nozzle that you can slide forward and backward and that you can also twist from side to side. With the adjustable nozzle you can adjust the spray pattern to either high pressure or low pressure. You can also adjust the spray so it is concentrated in a stream pattern or expanded into a fan pattern.

- Slide the nozzle in a forward position to draw chemical and achieve low pressure. Pull nozzle back for high pressure.

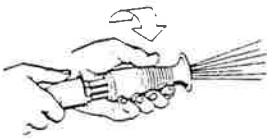


HIGH PRESSURE



LOW PRESSURE

- To adjust your spray pattern twist the nozzle clockwise for fan spray or counterclockwise for stream spray.



FAN SPRAY



STREAM SPRAY

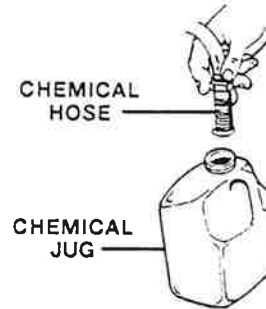
- For most effective cleaning, keep spray nozzle between 8 and 24 inches from cleaning surface.

IMPORTANT: If you get spray nozzle too close, especially on high pressure, you may damage the surface you are cleaning.

Using Soaps/Chemicals

IMPORTANT: Use soaps and chemicals that are designed specifically for use with pressure washers. To apply soaps/chemicals follow these steps:

- Prepare the soap/chemical as required by your job.
- Insert soap/chemical line into your container (soap/chemicals and container not included).



- Slide the adjustable nozzle forward to low pressure mode. Soap/chemicals cannot be applied with nozzle in high pressure position.
- Review the use of the adjustable nozzle.
- Connect garden hose to water inlet (see "To Start Your Pressure Washer" on page 9). Check that high pressure hose is connected to spray gun and pump (see *Assembly*), and start engine.
- Apply soap/chemicals to dry surface, starting from the bottom and working up.
- Allow the soap/chemicals to soak in between 3-5 minutes before washing and rinsing.
- When rinsing on high pressure, start at lower portion of area to be washed and work upward, using long, even, overlapping strokes.

MAINTENANCE

CUSTOMER RESPONSIBILITIES TABLE

MAINTENANCE TASK	Before each use	Every 25 hours or yearly	Every 50 hours or yearly	Every 100 hours or yearly
PRESSURE WASHER				
Check/clean inlet screen.	x			
Check high pressure hose.	x			
Check soap and chemical hose and filter	x			
Check gun and wand for leaks.	x			
Purge pump of air and contaminants	x			
ENGINE				
Check oil level	x			
Change engine oil			x	
Clean air cleaner and precleaner		x		
Clean/replace spark plug				x
Clean engine muffler & finger guard				x
Prepare for storage	Prepare unit for storage if it is to remain idle for longer than 30 days.			

Product Specifications

Pressure Washer Specifications

Pressure	1800
Flow Rate	2.0 GPM
Cleaning Units (psi x GPM)	3600

Engine Specifications

RPM	3600
Rated Horsepower	5.0
Spark Plug Gap	".030" (0.76mm)
Gasoline Capacity	1.5 quarts
Oil (22 oz. capacity)	SAE 30 weight

General Recommendations

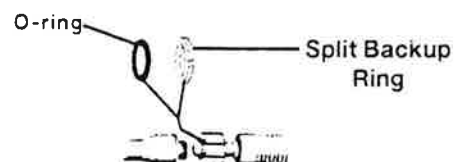
The warranty of the high pressure washer does not cover items that have been subjected to operator abuse or negligence. To receive full value from the warranty, operator must maintain high pressure washer as instructed in this manual.

Some adjustments will need to be made periodically to maintain your high pressure washer.

Once a year you should clean or replace the spark plug, and clean or replace the air filter, and thoroughly check the gun and wand assembly for wear. A clean spark plug and clean air filter assure proper fuel-air mixture and help your engine run better and last longer.

Your pressure washer pump is a sealed pump; you should never have to add or change the oil.

NOTE: Over time the o-rings in the gun assembly become worn. Attached to your owners manual is a replacement o-ring and split backup ring.



Pressure Washer Maintenance

Check and Clean Inlet Screen: Examine inlet screen on pump inlet fitting. Clean if clogged; replace if torn.

Check High Pressure Hose: High pressure hose can develop leaks from wear, kinking, abuse. Inspect hose each time before use. Check for cuts, leaks, abrasions or bulging of cover, and damage or movement of couplings. If any of these conditions exist, replace hose immediately.

Check Chemical/Soap Hose: Examine the chemical/soap hose and clean if clogged. Hose should fit tightly on pump fitting. Check for leaks and tears. Replace filter or hose if either is damaged.

Check Gun and Wand: Examine hose connection to gun making sure it is secure. Test trigger by pressing it and making sure it springs back into place when you release it.

Pump Maintenance (Changing Pump Oil)

Your pressure washer pump is a sealed pump, you should never have to change oil.

Purge Pump of Air and Contaminants

To remove the air from the pump, follow these steps:

- Set up the pressure washer as described in ASSEMBLY section and connect the water supply.
- Remove the wand extension from the spray gun.
- Pull the trigger on the gun and hold.

To remove the contaminants from the pump, follow these steps:

- Set up the pressure washer as described in ASSEMBLY section, connect the water supply.
- Remove the wand extension from the spray gun.
- Start the engine according to instructions in the OPERATION section.
- Start the engine according to instructions in the OPERATION section.
- Pull the trigger on the gun and hold.
- When the water supply is steady and constant, disengage trigger and refasten the wand extension.

Engine Maintenance

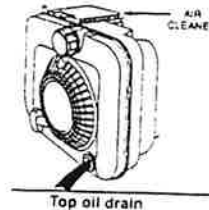
Check Oil Level

- Oil level should be checked prior to each use or at least every 5 hours of operation. To check oil see **Adding Engine Oil** on page 9.

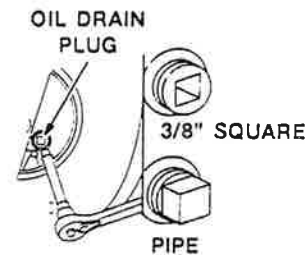
Changing Engine Oil

- Change oil while engine is still warm. Preferably drain oil from top of engine as illustrated below. Drain oil with air cleaner side up. Oil can be drained from engine bottom if necessary.

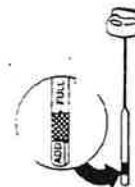
IMPORTANT: Before tipping engine or equipment to drain oil, drain fuel from tank by running engine until fuel tank is empty.



- To drain oil from bottom of engine, remove drain plug as illustrated below. Allow oil to drain and replace drain plug. Remove dipstick and refill with new oil of recommended grade. Start and run engine at idle for 30 seconds.

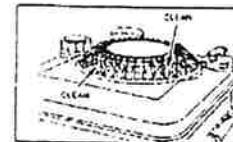


- Stop engine. Wait 30 seconds and re-check oil level. If required, add oil to bring level to FULL mark on dipstick.

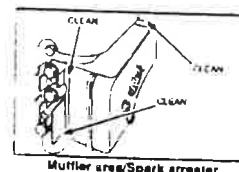


Check Engine – Finger Guard/Muffler

- Do not clean engine with a forceful spray of water because water could contaminate fuel system. With a brush or cloth, clean any debris from finger guard after every use to prevent engine damage caused by overheating.



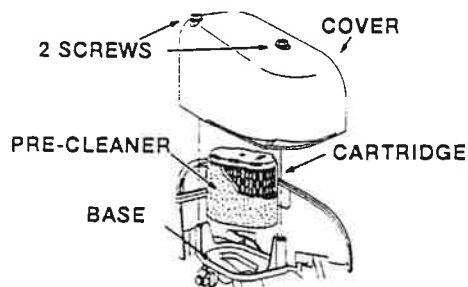
- Before running engine, clean muffler area to remove all grass and combustible debris.



Clean Pre-Cleaner and Air Cleaner Cartridge

Your engine is equipped with an oval dual element air cleaner: the two elements include a foam pre-cleaner and an air cleaner cartridge.

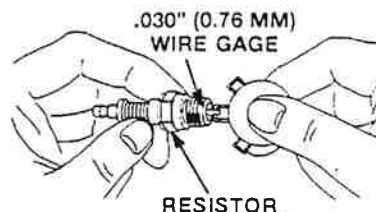
- To remove the air cleaner element, loosen two cover screws and lift cover. Carefully remove foam pre-cleaner and air cleaner cartridge.
- To clean pre-cleaner and air cleaner cartridge, wash in liquid detergent and water. Allow to dry thoroughly before using. Do not oil the pre-cleaner or cartridge. Replace if very dirty or damaged.
- After cleaning the pre-cleaner and air cleaner cartridge, replace pre-cleaner on air cleaner cartridge.
- Install air cleaner assembly (pre-cleaner and cartridge) in base. Then install cover on air cleaner and tighten screws securely to base.



NOTE: Do not use petroleum solvents, e.g., kerosene, which will cause the cartridge to deteriorate. Do not use pressurized air to clean cartridge. Pressurized air can damage the cartridge.

Clean and Replace Spark Plug

Change the spark plug every 100 hours of operation or once each year, whichever comes first. This will help your engine to start easier and run better.



SERVICE AND ADJUSTMENTS

Carburetor

The carburetor of your high pressure washer is pre-set at the factory. The carburetor should not be tampered with. If you pressure washer is used at an altitude in excess of 5000 feet consult with your nearest Sears Service Center regarding high altitude set changes.

▲ CAUTION: Engine speed was properly adjusted at the factory and should require no additional adjustment. Do not attempt to change engine speed. If you believe the engine is running too fast or too slow, take your pressure to a Sears Authorized Service Center for repair and adjustment.

▲ WARNING: High engine speeds are dangerous and increase the risk of personal injury or damage to equipment.

▲ CAUTION: Low engine speeds impose a heavy load on the engine and could shorten engine life.

Nozzle Cleaning

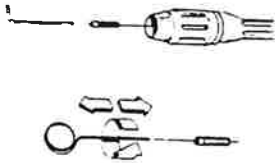
If the nozzle becomes clogged with foreign materials, such as dirt, excessive pressure may develop. If the nozzle becomes partially clogged or restricted, the pump pressure will pulsate. Clean the nozzle immediately using the nozzle kit supplied and the following instructions.

1. Shut off the pressure washer and turn off the water supply.
2. Disconnect spark plug wire.

3. Pull trigger on gun handle to relieve any water pressure.

Disconnect the wand from the gun.

5. Remove nozzle from the the end of the wand with the 2mm allen wrench provided.
6. Clean the nozzle using the nozzle cleaner provided or a straightened paper clip. Insert into the nozzle end and work back and forth until obstructions is removed.



7. Direct water supply into nozzle end to backflush loosened particles for 30 seconds.



8. Reassemble the nozzle to the wand. Tighten securely to prevent leaks.
9. Reconnect wand to gun and turn on water supply.
10. Start pressure washer and place wand into high pressure setting to test.

STORAGE

Preparing Pressure Washer for Storage

NOTE: If you do not plan to use your unit for 30 days or more, unit should be prepared for storage.

IMPORTANT: It is important to prevent gum deposits from forming in essential fuel system parts such as the carburetor, fuel filter hose or tank during storage. Also, experience indicates that alcohol-blended fuels (called gasohol or using ethanol or methanol) can attract moisture which leads to separation and formation of acids during storage. Acidic gas can damage the fuel system of an engine while in storage. To avoid engine problems, the fuel system should be emptied before storage of 30 days or longer. Never use engine or carburetor cleaner products in the fuel tank or permanent damage may occur.

Engine Preparation

- First add a fuel stabilizer to the fuel tank.
- Run pressure washer for a full 5 minutes to allow fuel stabilizer to enter the fuel system.
- Next shut off engine and disconnect the water supply.
- Disconnect the spark plug wire and remove the spark plug.
- Add one teaspoon of oil through the spark plug hole.
- Place rag over spark plug hole and pull the recoil a few times to lubricate the combustion chamber.
- Replace the spark plug, but do not connect the spark plug wire.

▲ CAUTION: While while preparing the engine make sure water supply is turned on and flowing to the unit. **NEVER** run unit without water supply running through pump. Failure to do so will cause pump damage.

Pump Preparation

This pressure washer should be stored in such a way to protect it from freezing. Do not store this unit outdoors or in an area where temperatures will fall below 32° F. This can cause extensive damage to this unit.

If unit has to be stored under freezing conditions a non-toxic R.V. anti-freeze should be put in the pump according to steps below to protect from freezing.

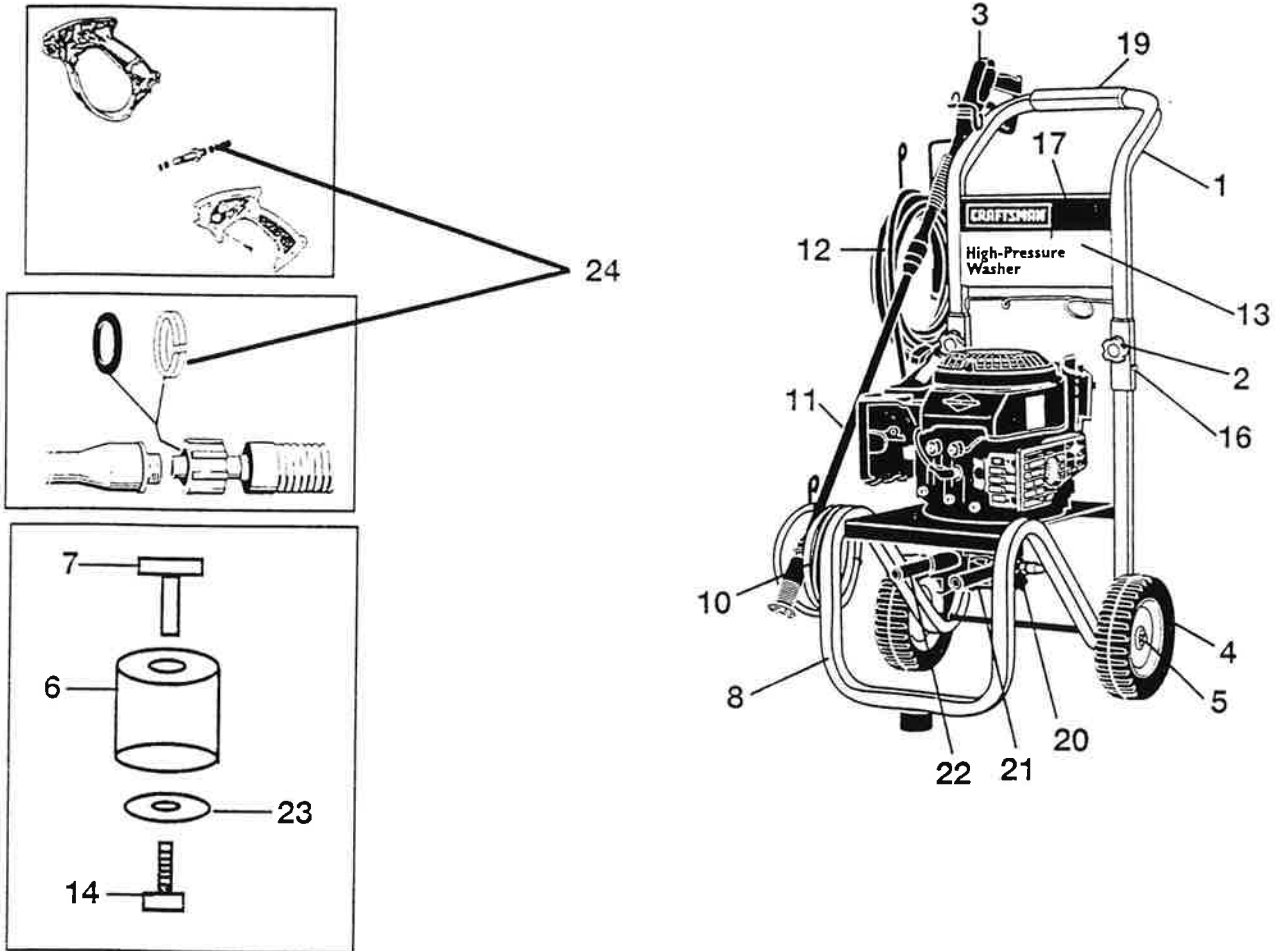
- Be sure engine switch is in "OFF" position and spark plug wire has been removed from spark plug.
- Pull the trigger on the spray gun to release the pressure in the high pressure hose. Detach high pressure hose and garden hose from the unit.
- Pull the recoil on the engine 4 to 6 times to discharge remaining water in pump.
- Tip the unit on the end with the water inlet fitting pointing upward.
- If unit will be stored where tempertures fall below 32°F, pour approximately 1/4 cup of non-toxic R.V. anti-freeze down the fitting where the water hose attaches to the pump.
- Set unit upright and pull starter handle on engine 4 to 6 times to circulate anti-freeze in pump until anti-freeze is discharged from the pump.

TROUBLESHOOTING

SYMPTOM	CAUSE	SOLUTION
Engine won't start	<ol style="list-style-type: none"> 1. Engine throttle is in "OFF" Position. 2. Choke lever has not been placed to choke. 3. Pressure buildup after initial use. 	<ol style="list-style-type: none"> 1. Slide throttle to "Run" position. 2. Slide choke lever to choke position. 3. Depress trigger gun.
Won't Draw Chemical	<ol style="list-style-type: none"> 1. Nozzle not in chemical draw position. 2. Chemical screen is obstructed. 3. Chemical screen not working. 4. Chemical injector orifice obstructed or stuck. 	<ol style="list-style-type: none"> 1. Push nozzle forward at end of wand. 2. Check chemical screen; clean if obstructed. 3. Make sure chemical screen is submerged in chemical/water. 4. Check and clean.
Pump running normally but pressure does not achieve rated values	<ol style="list-style-type: none"> 1. Water supply restricted. 2. Nozzle is in low PSI position. 3. Nozzle incorrect or worn. 4. Pump sucking air. 5. Nozzle blocked. 	<ol style="list-style-type: none"> 1. Check water supply and filter screen for blockage. Check hoses for blockage, kinks, leaks, etc. 2. Pull nozzle at end of wand back to the high pressure position. 3. Check and replace. 4. Check that hoses and fittings are airtight. 5. Clean nozzle.
Fluctuating Pressure	<ol style="list-style-type: none"> 1. Pump sucking air. 2. Garden hose inlet strainer clogged. 3. Worn Seals or Packing. 4. Inadequate water supply. 5. Fouled or dirty inlet or discharge valves. 6. Leaky discharge hose. 	<ol style="list-style-type: none"> 1. Check that hoses and fittings are airtight. Purge air from garden hose. 2. Clean. Check filter frequently. 3. Check and replace. 4. Check hose for kinks. 5. Check flow available to pump. Check for excessive heat, 145° F or above. 6. Clean inlet and discharge valve assemblies. Replace if damaged.
Pressure drops after period of normal use	<ol style="list-style-type: none"> 1. Nozzle clogged, partially obstructed. 2. Nozzle worn. 3. Valves worn, dirty or stuck. 4. Worn piston packing. 	<ol style="list-style-type: none"> 1. Check connection. Replace if cracked or punctured. 2. Clean or replace. 3. Check and replace. 4. Check and replace.
Pump noisy	<ol style="list-style-type: none"> 1. Water too hot. 2. Pump sucking air. 3. Valves dirty or worn. 4. Worn bearings. 	<ol style="list-style-type: none"> 1. Reduce temperature below 63° C or 145° F. 2. Check that hoses and fittings are airtight. 3. Check, clean or replace. 4. Check and replace if necessary.
Presence of water in oil (oil milky); Water dripping from pump.	<ol style="list-style-type: none"> 1. High humidity. 2. Piston packing and oil seal worn. 	<ol style="list-style-type: none"> 1. Change Oil. 2. Check and replace oil seals.
Water dripping from pump	<ol style="list-style-type: none"> 1. Fittings Loose. 2. O-rings of piston guide or retainer worn. 3. Piston packing worn. 	<ol style="list-style-type: none"> 1. Tighten. 2. Check and replace. 3. Check and replace.
Oil Dripping	<ol style="list-style-type: none"> 1. Oil seal worn 2. Loose drain plug or worn drain plug o-ring. 	<ol style="list-style-type: none"> 1. Check and replace 2. Tighten drain plug or replace o-ring. Do not over torque.

PARTS

CRAFTSMAN 2400 PSI HIGH PRESSURE WASHER 919.679180



REF NO.	PART NUMBER	DESCRIPTION
---------	-------------	-------------

1	17715	Handle
2	C042	Knob - 5/16"
3	H128	Gun
4	17709	Tire Semi (7 x 1 3/4")
5	W137	Nut Pal 1/2"
6	16371	Rubber Foot, Hollow
7	W131	Tee Nut 5/160" x 3/4"
8	17713	Frame
10	H140	Hose, Chemical
11	N130	Lance, Multi-Reg
12	H040	Hose
13	17569	Decal Craftsman
14	F064	Screw - Hex 5/16" - 18 x 1LG
15	F469	Lock Nut 5/16"
16	17712	Screw HHC, 5/16"
17	17913	Decal Operation
19	17367	Handle Grip
900	----	Engine (Refer to Engine Break-down (Model 12F802-2017)
20	PK17908	Pump
21	16829	Garden Hose Adapter 1/2"
22	F504W	3/8" Coupling
23	F112	Washer
24	AL-650015	O-Ring Kit

PARTS NOT ILLUSTRATED

MGP-679180	Owners Manual
NCTOO1	Nozzle Cleaning Kit
F101	Screw, Hex-Engine to Pump
F196	Screw, Hex-Engine to Pump
16087	Nut Flanghead-Engine to Pump
F074	Washer Flat-Engine to Pump
16505	Thermal Relief Valve

ACCESSORIES

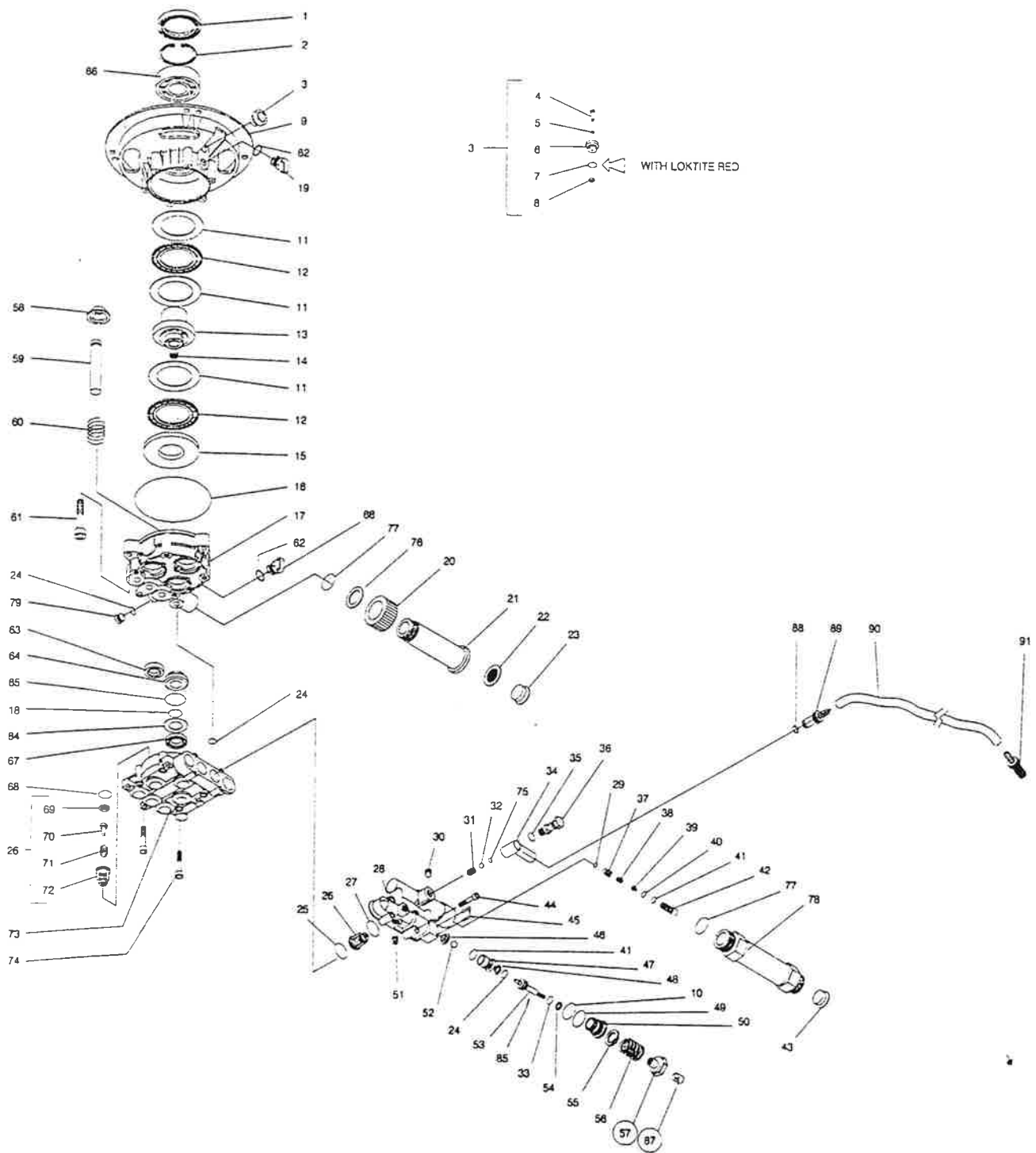
(Not Included with Pressure Washer)

919.76430	Floor/Siding Brush
919.76431	Fixed Brush
919.76450	25Ft. 3/8" high pressure hose
919.76451	50Ft. 3/8" high pressure hose
919.76484	Turbo nozzle

PUMP PARTS

CRAFTSMAN 2400 PSI HIGH PRESSURE WASHER 919.679180

PUMP BREAKDOWN MODEL PK-17908



PUMP PARTS

CRAFTSMAN 2400 PSI HIGH PRESSURE WASHER 919.679180

PUMP BREAKDOWN MODEL PK-17908

Ref. No.	Part No.	Description	Qty.	Ref. No.	Part No.	Description	Qty.
1	FA-15203000	Oil Seal	1	45	FA-52234500	By-pass pin	1
2	FA-13301000	Elastic Ring	1	46	FA-52068000	Valve seat plate	1
3	FA-57015402	Oil vented valve assembly	1	47	FA-52052302	Valve seat	1
4	FA-52045401	Oil vented valve assembly	1	48	FA-15100100	Back ring	1
5	FA-15001600	O-ring	1	49	FA-15001100	O-ring	1
6	FA-52045302	Oil vented cap	1	50	FA-52036501	By-pass valve body	1
7	FA-15062200	O-ring	1	51	FA-52038300	Plug	1
8	FA-52067400	Oil vented valve spring	1	52	FA-17600900	Ball	1
9	FA-57138700A	Flange	1	53	FA-52070600	By-pass piston	1
10	FA-15000900	O-ring	1	54	FA-15101700	Back ring	1
11	FA-17400200	Top disc bearing	3	55	FA-52235301	Spacer	1
12	FA-16900200	Needle bearing	2	56	FA-23731400	Pressure regulator spring	1
13	FA-57138900	Wobble plate	1	57	FA-52070700	Pressure regulator nut	1
14	FA-57130600	Cap	1	58	FA-52033600	Ring	3
15	FA-57133100	Lower disc bearing	1	59	FA-52033800	Piston	3
16	FA-15024000	O-ring	1	60	FA-52045201	Piston Spring	3
17	FA-57137800	Carter	1	61	FA-10200400	Head screw	3
18	FA-15001500	O-ring	3	62	FA-15065600	O-ring	2
19	FA-57137401	Oil sight glass	1	63	FA-15202400	Oil Seal	3
20	FA-52069100	Connection ring nut	1	64	FA-52038801	Brass bushing	3
21	FA-57136300	Inlet extension	1	65	FA-15001800	O-ring	3
22	FA-52052100	filter gasket	1	66	FA-57137400	Oil fill cap	1
23	FA-18102500	under cap	1	67	FA-15501800	High pressure seal	3
24	FA-15000100	O-ring	3	68	FA-15065300	O-ring	3
25	FA-15064200	O-ring	3	69	FA-52068400	Valve seat	6
26	FA-52022500	Valve assembly	6	70	FA-52068101	Valve plate	6
27	FA-15060500	O-ring	4	71	FA-52068300	Spring valve	6
28	FA-23732300A	Manifold	1	72	FA-52068200	Valve cage	6
29	FA-15065000	O-ring	1	73	FA-52030202	Pump head	1
30	FA-10801900	Screw	1	74	FA-10204100	Screw	5
31	FA-50136200	Chemical spring	1	75	FA-15000700	O-ring	1
32	FA-17600300	Chemical ball	1	76	FA-12406500	Washer	1
33	FA-15001400	O-ring	1	77	FA-15061800	O-ring	2
34	FA-52036700	Chemical Injector body	1	78	FA-57136200	Outlet extension	1
35	FA-15000600	O-ring	1	79	FA-52045100	Cap	1
36	FA-50139700	Chemical Injector screw	1	84	FA-52069301	Washer	3
37	FA-52032700	Balance flow valve	1	85	FA-13500500	Pin	1
38	FA-52032801	Spring	1	86	FA-16003000	Bearing	1
39	FA-52032500	Injector nozzle	1	87	FA-10801600	Screw	1
40	FA-15062600	O-ring	1	88	FA-15000300	O-ring	1
41	FA-15001300	O-ring	2	89	FA-52036800	Hose barb for chemical injector	1
42	FA-52032601	Injector nipple body	1	90	FA-15611200	Chemical hose	1
43	FA-18104600	under cap	1	91	FA-52037200	Chemical hose filter	1
44	FA-10205200	Screw	4				

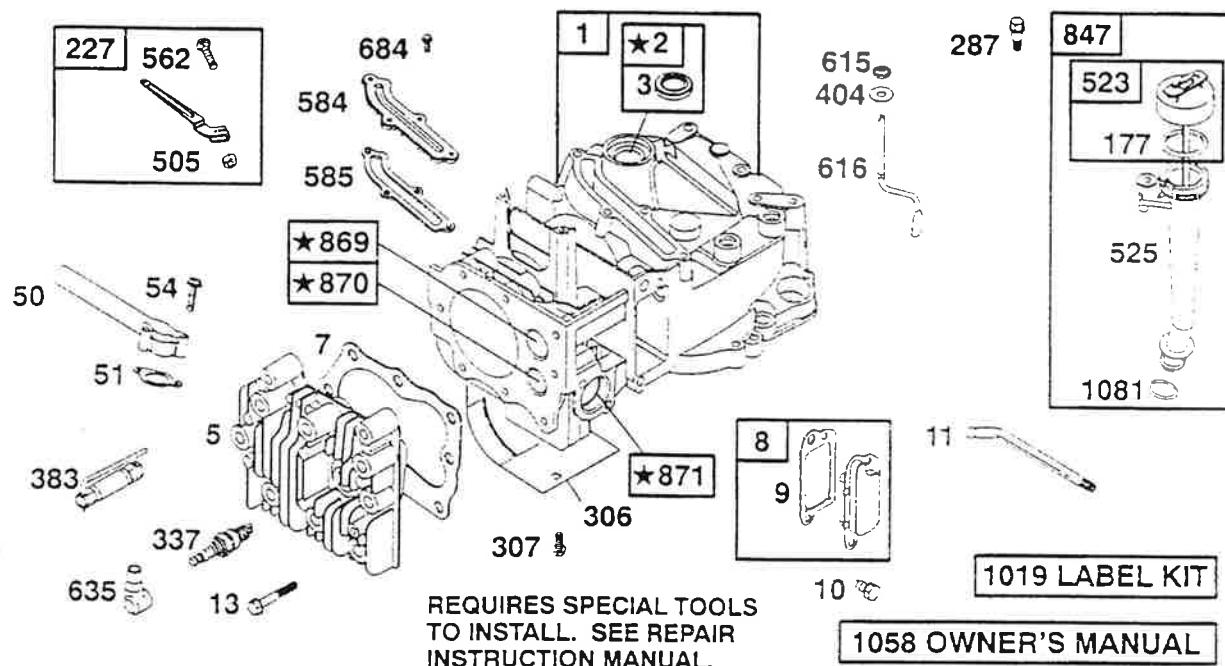
PARTS KITS

		Key Numbers:
Oil Seal Kit	FA-YK157015402	3,18,63,19,10,66,16
Bearing Kit	FA-YK157138900	11,12,13,14,15
Valve Kit	FA-YK152022500.01	68 (6used) 26,25,79
Piston Kit	FA-YK152033600	58 (3used) 59,60
Water Packing Kit	FA-YK15501800	76 (3used) 67,65
Unloader Kit	17911	52,53,54,55,56,57,24,33,85,87
Chemical Injector Kit	FA-50381300	31,32,35,62

ENGINE PARTS

CRAFTSMAN 2400 PSI HIGH PRESSURE WASHER 919.679180

BRIGGS ENGINE MODEL #12F802-2017



REF. NO.	PART NO.	DESCRIPTION	REF. NO.	PART NO.	DESCRIPTION	REF. NO.	PART NO.	DESCRIPTION
1	493260	Cylinder Assembly	227	690783	Governor Lever	684	690345	Screw (Breather Passage Cover)
2	399269	Bushing/Seal Kit (Magneto Side)	287	94511	Screw (Dipstick Tube)	847	495263	Dipstick/Tube Assembly
3	*299819	Seal-Oil (Magneto Side)	306	224324	Shield-Cylinder	869	691155	Seat-Valve (Intake)
5	691160	Cylinder Head	307	690345	Screw (Cylinder Shield)	870	690380	Seat-Valve (Exhaust)
			337	802592	Sparkplug	971	262001	Bushing-Guide (Exhaust Valve)
			383	89838	Wrench-Sparkplug	----- Note -----		
			404	690272	Washer (Governor Crank)	63709		Bushing-Guide (Intake Valve)
			505	231082	Nut (Governor Lever)	1019	494256	Label Kit
			523	495264	Dipstick	1058	273693	Owner's Manual
			525	495265	Dipstick Tube			
			562	94852	Bolt (Governor Lever)			
			584	692342	Cover-Breather Passage			
7	*272916	Cylinder Head Gasket	585	*272238	Breather Passage Gasket			
8	495786	Breather Assembly	615	94474	Retainer-Governor Shaft			
9	*272481	Gasket-Breather	616	263175	Governor Crank			
10	94955	Screw (Breather Assy)	----- Note -----					
11	231685	Breather Tube	263202		Governor Crank			
13	94547	Screw (Cylinder Head)	Used on Type No(s) 3116.					
51	*272199	Intake Gasket (Intake Manifold)	625	497465	Manifold-Intake	1081	*280966	O-Ring Seal (Dipstick Tube)
54	94526	Screw (Intake Manifold)	635	66538	Sparkplug Boot			
177	*280393	O-Ring Seal (Dipstick)						

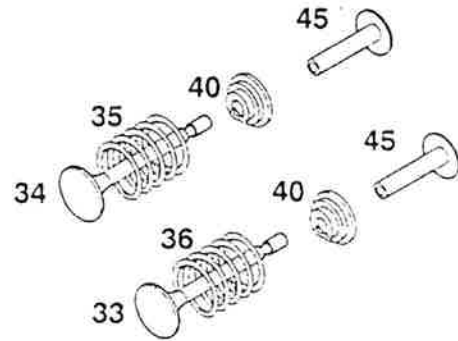
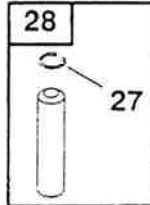
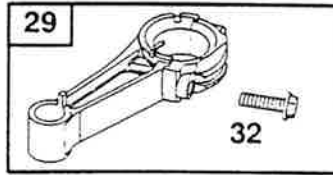
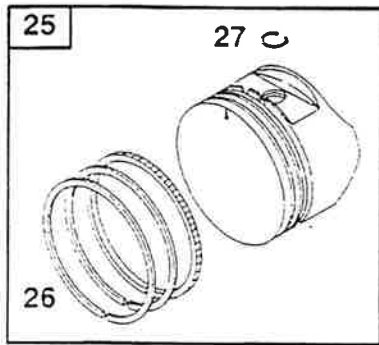
* Included in Gasket Set-See Ref. No. 358.
 • Included in Carburetor Kit-See Ref. No. 121.

◆ Included in Carburetor Gasket Set-See Ref. 977.
 ◊ Included in Valve Overhaul Gasket Set-See Ref. No. 1095.

ENGINE PARTS

CRAFTSMAN 2400 PSI HIGH PRESSURE WASHER 919.679180

BRIGGS ENGINE MODEL #12F802-2017



REF. NO.	PART NO.	DESCRIPTION	REF. NO.	PART NO.	DESCRIPTION	REF. NO.	PART NO.	DESCRIPTION
25	499429	Piston Assembly	26	499425	Ring Set (Standard)	28	499423	Piston Pin (Standard)
			27	263190	Piston Pin Lock (Used After Code Date 97011200).	29	499424	Connecting Rod (Standard)
						32	94699	Screw (Connecting Rod)
						33	262651	Exhaust Valve
						34	262652	Intake Valve
						35	691270	Valve Spring (Intake)
						36	691270	Valve Spring (Exhaust)
						40	93312	Valve Retainer
						45	262204	Valve Tappet

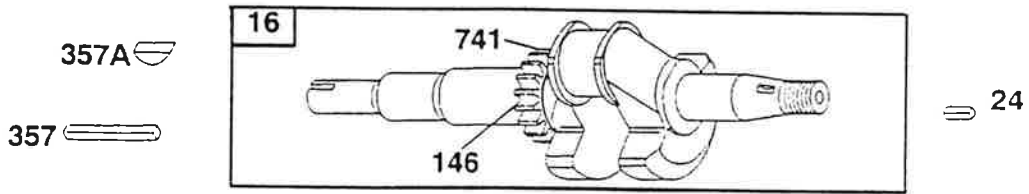
* Included in Gasket Set-See Ref. No. 358.
 • Included in Carburetor Kit-See Ref. No. 121.

◆ Included in Carburetor Gasket Set-See Ref. 977.
 ∅ Included in Valve Overhaul Gasket Set-See Ref. No. 1095.

ENGINE PARTS

CRAFTSMAN 2400 PSI HIGH PRESSURE WASHER 919.679180

BRIGGS ENGINE MODEL #12F802-2017



REF. NO.	PART NO.	DESCRIPTION	REF. NO.	PART NO.	DESCRIPTION	REF. NO.	PART NO.	DESCRIPTION
16	691451	Crankshaft						
						24	222698	Flywheel Key
						146	94388	Timing Key
						357	91539	Key-Drive Pulley
						357A	94329	Key-Drive Pulley
						741	262598	Gear-Timing

* Included in Gasket Set-See Ref. No. 358.

• Included in Carburetor Kit-See Ref. No. 121.

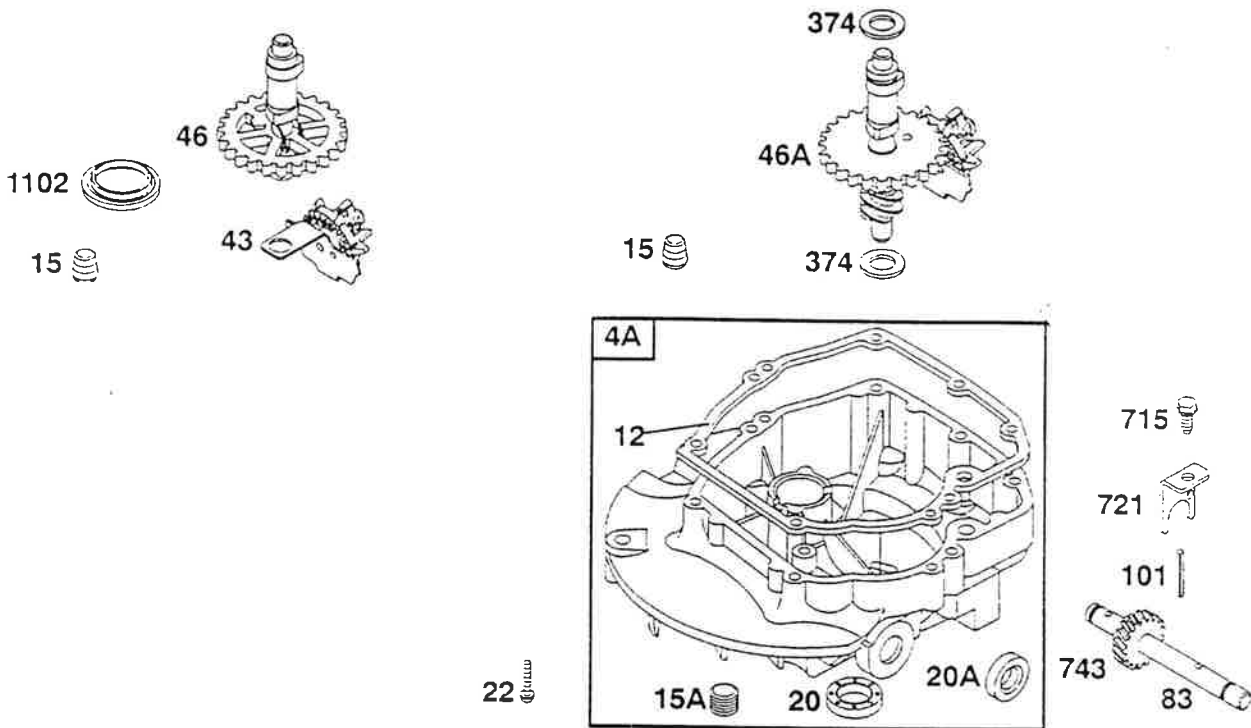
◆ Included in Carburetor Gasket Set-See Ref. 977.

∅ Included in Valve Overhaul Gasket Set-See Ref. No. 1095.

ENGINE PARTS

CRAFTSMAN 2400 PSI HIGH PRESSURE WASHER 919.679180

BRIGGS ENGINE MODEL #12F802-2017



REF. NO.	PART NO.	DESCRIPTION	REF. NO.	PART NO.	DESCRIPTION	REF. NO.	PART NO.	DESCRIPTION
4A	493365	Engine Sump	46	691445	Camshaft	83	231671	Auxiliary Drive Shaft
12	*272198	Crankcase Gasket						----- Note -----
15	94880	Oil Drain Plug						690522 Auxiliary Drive Shaft
15A	94470	Oil Drain Plug						Used on Type No(s). 1170, 2950, 2951.
20	*399781	Oil Seal (PTO Side)	46A	691459	Camshaft			690527 Auxiliary Drive Shaft
20A	391484	Oil Seal (PTO Side)						Used on Type No(s). 1141, 1172, 1516.
22	94220	Screw (Engine Sump)				101	93474	Shaft Pin
						374	691074	Washer
						715	94929	Screw
						721	690449	Stop-Shaft
						743	231279	Gear-Drive (Counterclockwise)
43	493737	Governor/Oil Slinger						----- Note -----
		----- Note -----						690516 Gear-Drive (Clockwise)
		499246 Governor/Oil Slinger						Used on Type No(s). 0860, 2950.
		Used on Type No(s). 3116.				1102	691255	Pilot-Guide

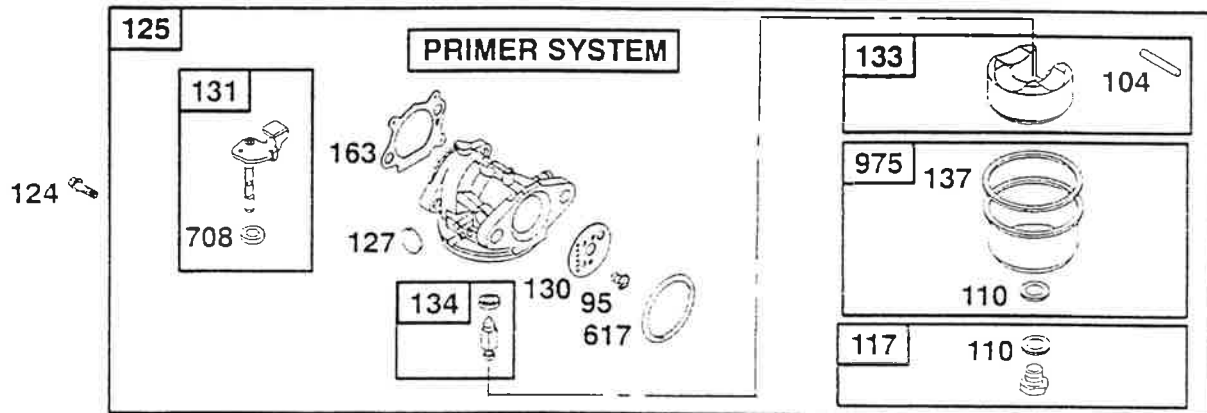
- ✦ Included in Gasket Set-See Ref. No. 358.
- Included in Carburetor Kit-See Ref. No. 121.

- ◆ Included in Carburetor Gasket Set-See Ref. 977.
- ⊗ Included in Valve Overhaul Gasket Set-See Ref. No. 1095.

ENGINE PARTS

CRAFTSMAN 2400 PSI HIGH PRESSURE WASHER 919.679180

BRIGGS ENGINE MODEL #12F802-2017



REF. NO.	PART NO.	DESCRIPTION	REF. NO.	PART NO.	DESCRIPTION
95	94098	Screw (Throttle Valve)		497315	Main Jet (High Altitude) (Used After Code Date 96060200).
97	493267	Throttle Shaft		496495	Main Jet
104	691242	Float Hinge Pin			
117	494870	Main Jet			
			125	498170	Carburetor (Used After Code Date 96060200).
					----- Note ----- 498254 Carburetor
					497314 Carburetor (Used Before Code Date 95103000).
			127		Welch Plug (Sold in Kit Only)
			130	591203	Throttle Valve
			133	398187	Carburetor Float
			134	398188	Needle/Seat Kit
			137		Float Bowl Gasket (Sold in Kit Only)
			163	272653	Air Cleaner Gasket
			276		Sealing Washer (Sold in Kit Only)
			365	94525	Screw (Carburetor)
			617	270344	O-Ring Seal (Intake Manifold)
			708	691321	Seal-Dust (Throttle Shaft)
			975	493640	Bowl- Float

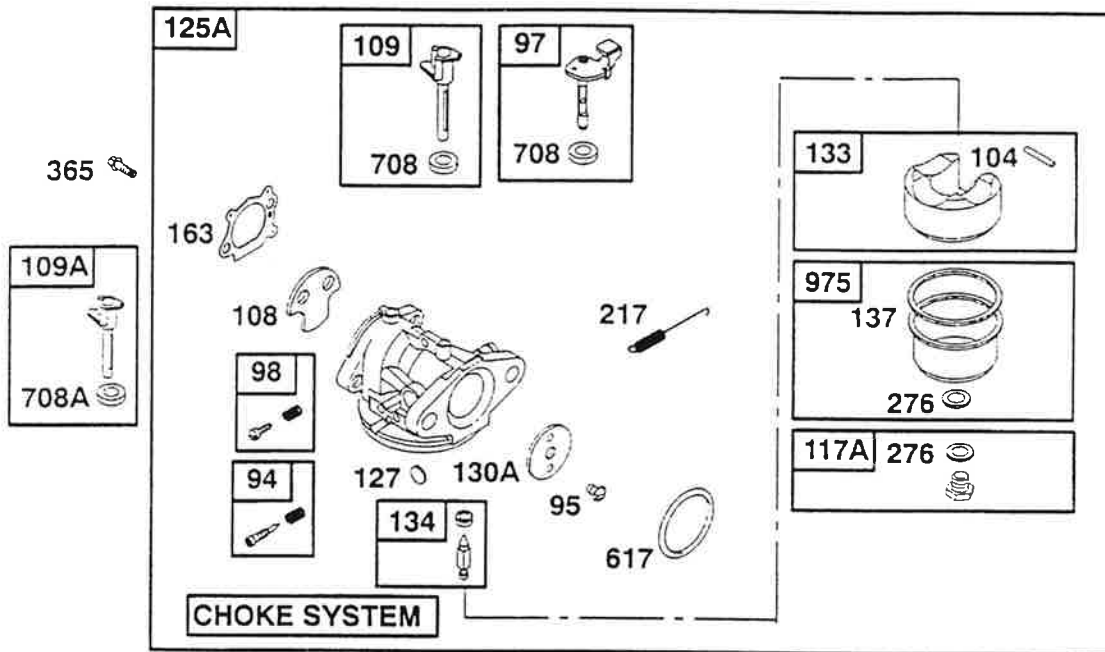
* Included in Gasket Set-See Ref. No. 358.
 • Included in Carburetor Kit-See Ref. No. 121.

◆ Included in Carburetor Gasket Set-See Ref. 977.
 ⊗ Included in Valve Overhaul Gasket Set-See Ref. No. 1095.

ENGINE PARTS

CRAFTSMAN 2400 PSI HIGH PRESSURE WASHER 919.679180

BRIGGS ENGINE MODEL #12F802-2017



REF. NO.	PART NO.	DESCRIPTION	REF. NO.	PART NO.	DESCRIPTION	REF. NO.	PART NO.	DESCRIPTION
94	•493765	Idle Mixture Kit	125A	498965	Carburetor	217	262749	Choke Return Spring
95	94098	Screw (Throttle Valve)						----- Note ----- 690572 Choke Return Spring
97	493267	Throttle Shaft						
98	398185	Idle Speed Kit						
104	•691242	Float Hinge Pin						
108	223471	Choke Valve						
109	494218	Choke Shaft						
109A	498593	Choke Shaft						
117A	498977	Main Jet						
			127	•	Welch Plug (Sold in Kit Only)			
			130A	223470	Throttle Valve			
			133	398187	Carburetor Float			
			134	•398188	Needle/Seal Kit			
			137	••	Float Bowl Gasket (Sold in Kit Only)			
			163	••272653	Air Cleaner Gasket			
						276	••	Sealing Washer (Sold in Kit Only)
						365	94525	Screw (Carburetor)
						617	••270344	O-Ring Seal (Intake Manifold)
						708	••691321	Seal-Dust (Throttle Shaft)
								----- Note ----- ••691321 Seal-Dust (Choke Shaft)
						708A	••693867	Seal-Dust Used on Type No(s). 1910, 2001, 2017, 2403, 2404, 2407, 2681, 2682, 3116.
						975	493640	Bowl-Float

★ Included in Gasket Set-See Ref. No. 358.
● Included in Carburetor Kit-See Ref. No. 121.

◆ Included in Carburetor Gasket Set-See Ref. 977.
⊙ Included in Valve Overhaul Gasket Set-See Ref. No. 1095

ENGINE PARTS

CRAFTSMAN 2400 PSI HIGH PRESSURE WASHER 919.679180

BRIGGS ENGINE MODEL #12F802-2017



REF. NO.	PART NO.	DESCRIPTION	REF. NO.	PART NO.	DESCRIPTION	REF. NO.	PART NO.	DESCRIPTION
209	691292	Spring-Governor		253044	Spring-Gov.			

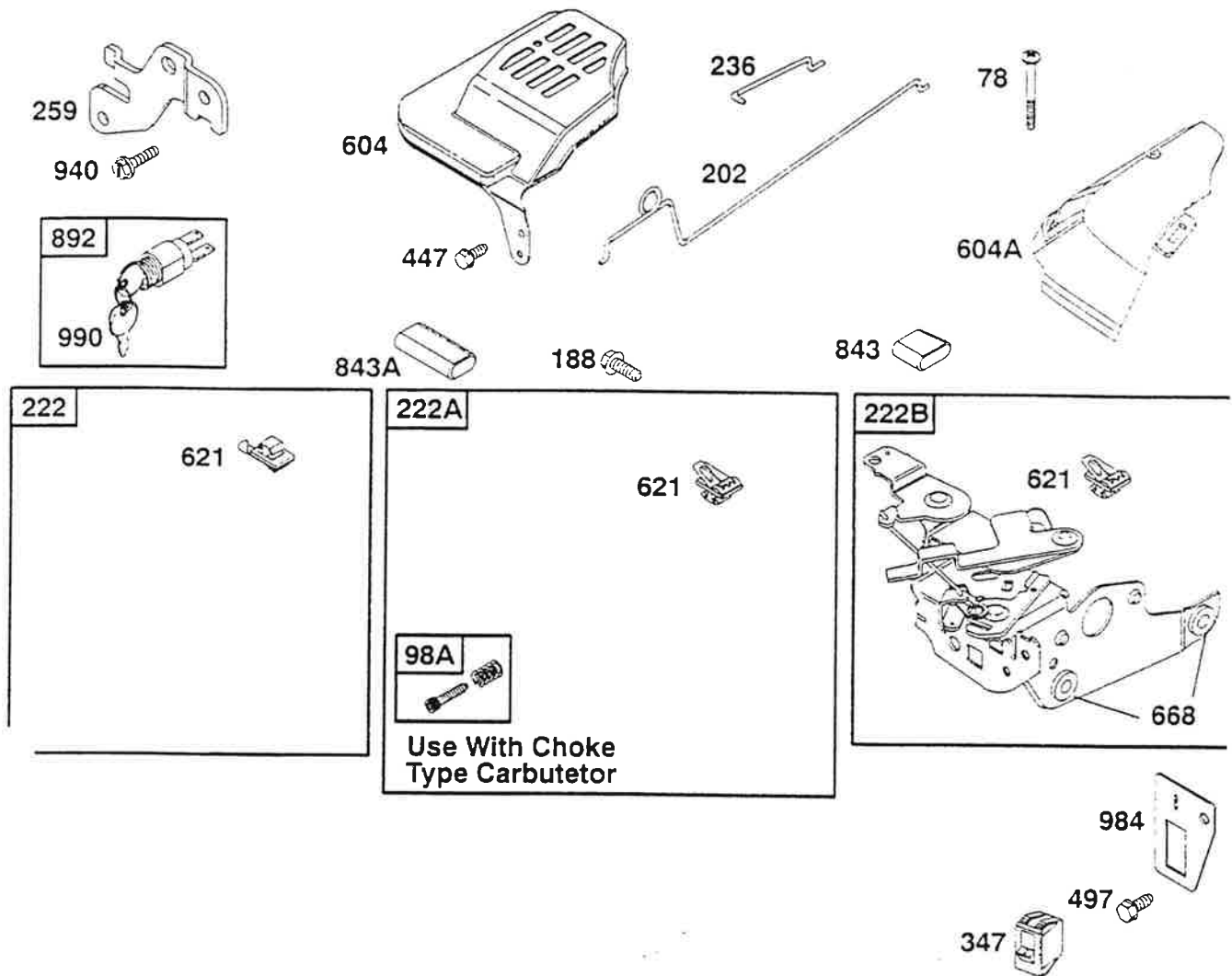
- * Included in Gasket Set-See Ref. No. 358.
- Included in Carburetor Kit-See Ref. No. 121.

- ◆ Included in Carburetor Gasket Set-See Ref. 977.
- ⊘ Included in Valve Overhaul Gasket Set-See Ref. No. 1095.

ENGINE PARTS

CRAFTSMAN 2400 PSI HIGH PRESSURE WASHER 919.679180

BRIGGS ENGINE MODEL #12F802-2017



REF. NO.	PART NO.	DESCRIPTION	REF. NO.	PART NO.	DESCRIPTION	REF. NO.	PART NO.	DESCRIPTION
78	691142	Screw (Control Cover)	222B	692150	Control Bracket	668	*493823	Spacer (Includes 2)
98A	493280	Idle Speed Kit	259	691223	Bracket-Casing Clamp	843	272616	Sleeve-Lever
188	94644	Screw (Control Bracket)	347	691396	Switch-Rocker	843A	280149	Sleeve-Lever
202	262579	Mechanical Gov. Link	447	93801	Screw (Control Cover)	892	690646	Switch Key
236	262461	Lockout Link	497	94874	Screw (Stop Switch Bracket)	940	94882	Screw (Casing Clamp Bracket)
222	497203	Control Bracket Used with Primer Type Carburetor	604	225103	Cover-Control	984	692872	Bracket-Stop Switch
			604A	691344	Cover-Control	990	392832	Key Set
			621	396847	Switch-Stop			

• Included in Gasket Set-See Ref. No. 358.

• Included in Carburetor Kit-See Ref. No. 121.

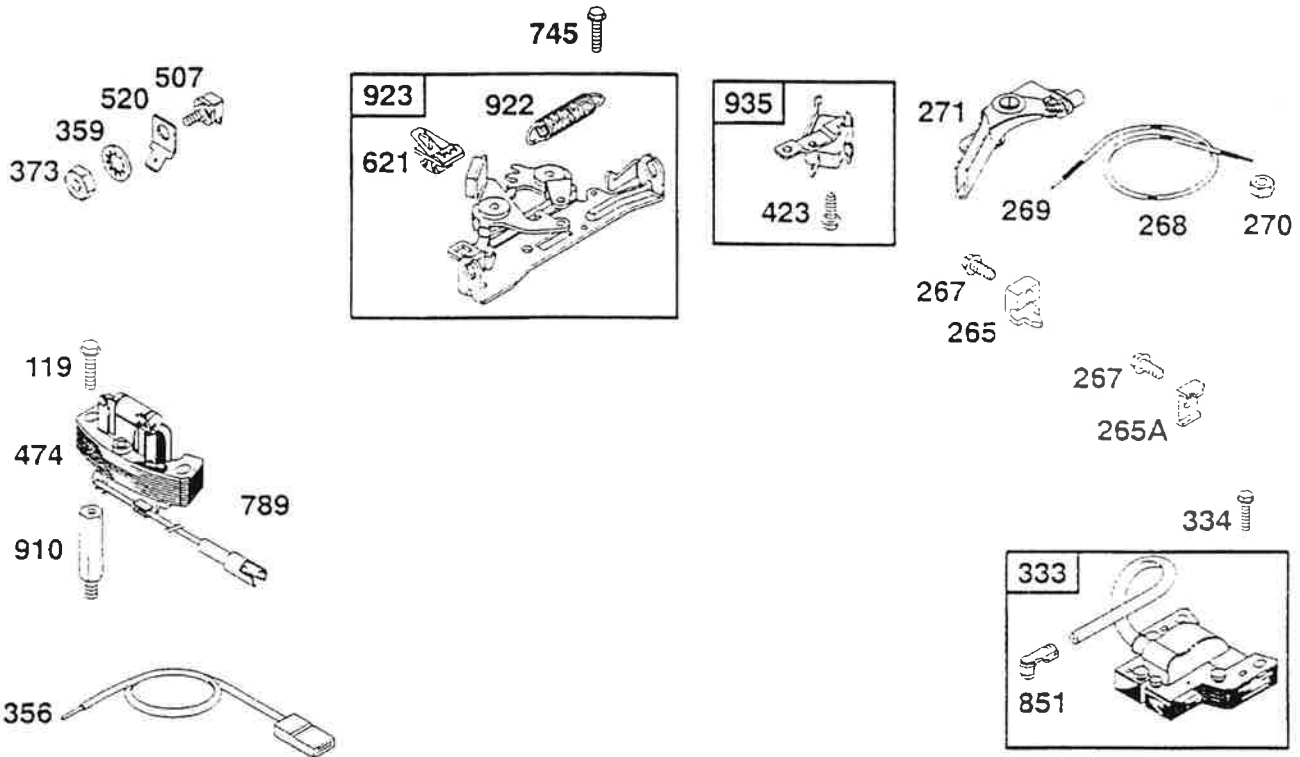
◆ Included in Carburetor Gasket Set-See Ref. 977

⊗ Included in Valve Overhaul Gasket Set-See Ref. No. 109

ENGINE PARTS

CRAFTSMAN 2400 PSI HIGH PRESSURE WASHER 919.679180

BRIGGS ENGINE MODEL #12F802-2017



REF. NO.	PART NO.	DESCRIPTION	REF. NO.	PART NO.	DESCRIPTION	REF. NO.	PART NO.	DESCRIPTION
265	213146	Clamp-Casing	270	63426	Nut (Control Wire Casing)	621	396847	Switch-Stop
265A	221535	Clamp-Casing	271	290568	Lever-Control	745	94512	Screw
267	94882	Screw (Casing Clamp)	333	802574	Armature-Magneto	851	493880	Terminal-Cable
268	65616	Casing-Control Wire (72" Long, Cut to Required Length)	334	94731	Screw (Magneto Armature)	910	94510	Stud-Stator Mounting
		----- Note -----	353	92791	Washer	922	262640	Spring-Brake
		691072 Casing-Con-	356	692390	Wire-Stop	923	493442	Brake
		trol Wire	359	90576	Nut (Ground Terminal)	935	499421	Switch-Interlock (Used After Code Date 92100600).
		(48" Long, Cut to Required Length)	423	93758	Screw (Interlock Switch)			----- Note -----
269	26633	Wire-Control (78" Long, Cut to Required Length)	474	492841	Alternator			398758 Switch- Interlock (Used Before Code Date 92100700).
		----- Note -----	507	398525	Insulator	1119	94512	Screw (Alternator)
		26099 Wire-Control (54" Long, Cut to Required Length)	520	691084	Terminal			

✦ Included in Gasket Set-See Ref. No. 358.
 • Included in Carburetor Kit-See Ref. No. 121.

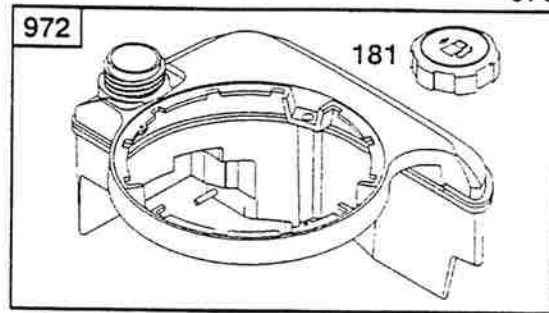
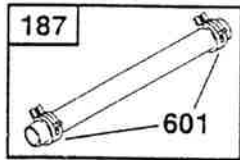
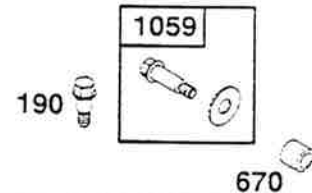
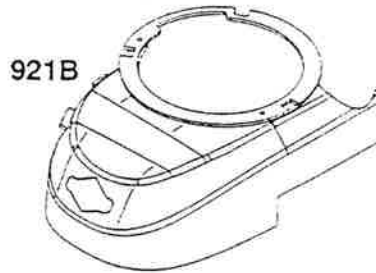
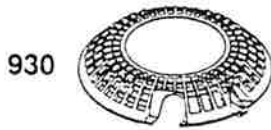
◆ Included in Carburetor Gasket Set-See Ref. 977.
 ⚡ Included in Valve Overhaul Gasket Set-See Ref. No. 1095

ENGINE PARTS

CRAFTSMAN 2400 PSI HIGH PRESSURE WASHER 919.679180

BRIGGS ENGINE MODEL #12F802-2017

696 



1036 EMISSIONS LABEL

REF. NO.	PART NO.	DESCRIPTION	REF. NO.	PART NO.	DESCRIPTION	REF. NO.	PART NO.	DESCRIPTION
181	397974	Cap-Fuel Tank	601	93053	Clamp-Hose (Green)	969	94696	Screw (Blower Cover Housing)
187	492790	Line-Fuel	601A	93807	Clamp-Hose (Black)	972	495224	Tank-Fuel
		----- Note ----- 296004 Line-Fuel Used on Type No(s). 0853.	670	280512	Spacer-Fuel Tank (Black)	1036	499341	Emissions Label (Used After Code Date 97012000).
190	94511	Screw (Fuel Tank)	921B	691468	Cover-Blower Housing (Black)			----- Note ----- 499340 Emissions Label (Used Before Code Date 97012100).
240	298090	Filter-Fuel	930	281136	Guard-Rewind	1059	398540	Screw/Washer Kit
			930A	690598	Guard-Rewind			
			930B	691345	Guard-Rewind			

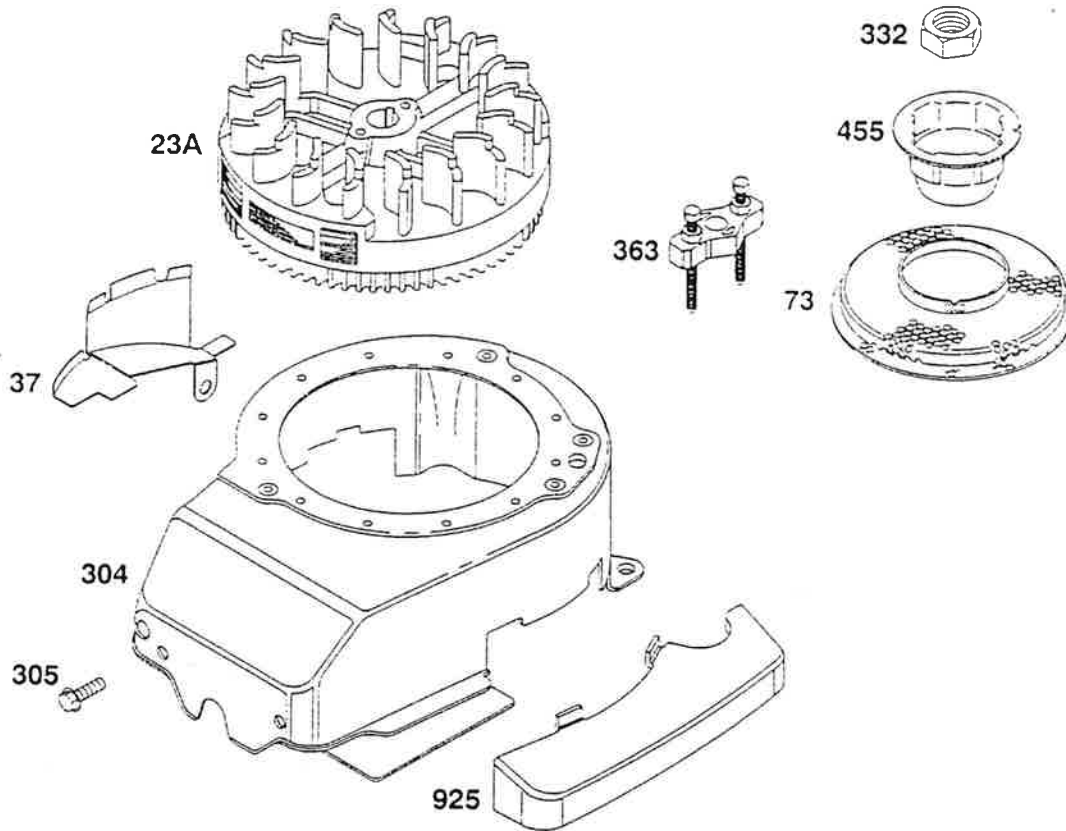
* Included in Gasket Set-See Ref. No. 358.
● Included in Carburetor Kit-See Ref. No. 121.

◆ Included in Carburetor Gasket Set-See Ref. 977.
⊗ Included in Valve Overhaul Gasket Set-See Ref. No. 1095.

ENGINE PARTS

CRAFTSMAN 2400 PSI HIGH PRESSURE WASHER 919.679180

BRIGGS ENGINE MODEL #12F802-2017



REF. NO.	PART NO.	DESCRIPTION	REF. NO.	PART NO.	DESCRIPTION	REF. NO.	PART NO.	DESCRIPTION
23A	492175	Flywheel	304	493293	Housing-Blower			
37	224511	Guard-Flywheel				305	691108	Screw (Blower Housing)
73	691222	Screen-Rotating				332	92284	Nut-Flywheel
						363	19069	Flywheel Puller
						455	691219	Cup-Flywheel
						925	690595	Cover-Linkage

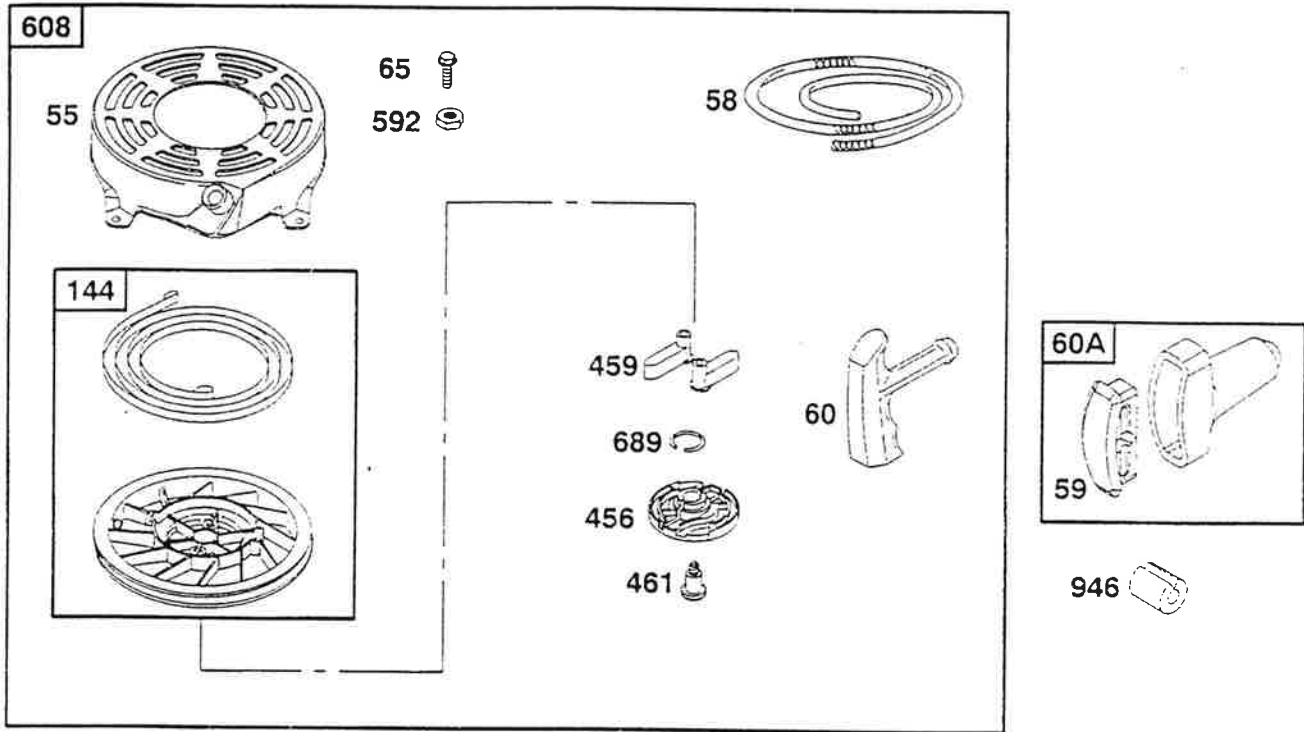
* Included in Gasket Set-See Ref. No. 358.
 • Included in Carburetor Kit-See Ref. No. 121.

◆ Included in Carburetor Gasket Set-See Ref. 977.
 ◊ Included in Valve Overhaul Gasket Set-See Ref. No. 1095.

ENGINE PARTS

CRAFTSMAN 2400 PSI HIGH PRESSURE WASHER 919.679180

BRIGGS ENGINE MODEL #12F802-2017



REF. NO.	PART NO.	DESCRIPTION	REF. NO.	PART NO.	DESCRIPTION	REF. NO.	PART NO.	DESCRIPTION
55	691421	Rewind Starter Housing	65	94904	Screw (Rewind Starter)	461	94943	Screw (Pawl Friction Plate)
58	280399	Starter Rope (Cut To Required Length)	144	498144	Pulley/Spring Assy	592	94908	Nut (Rewind Starter)
59	396892	Grip Insert	456	281503	Plate-Pawl Friction	608	497680	Starter-Rewind
60	281434	Starter Rope Grip	459	281505	Pawl-Ratchet	689	263073	Spring-Friction
60A	393152	Starter Rope Grip				946	223294	Stop-Rope

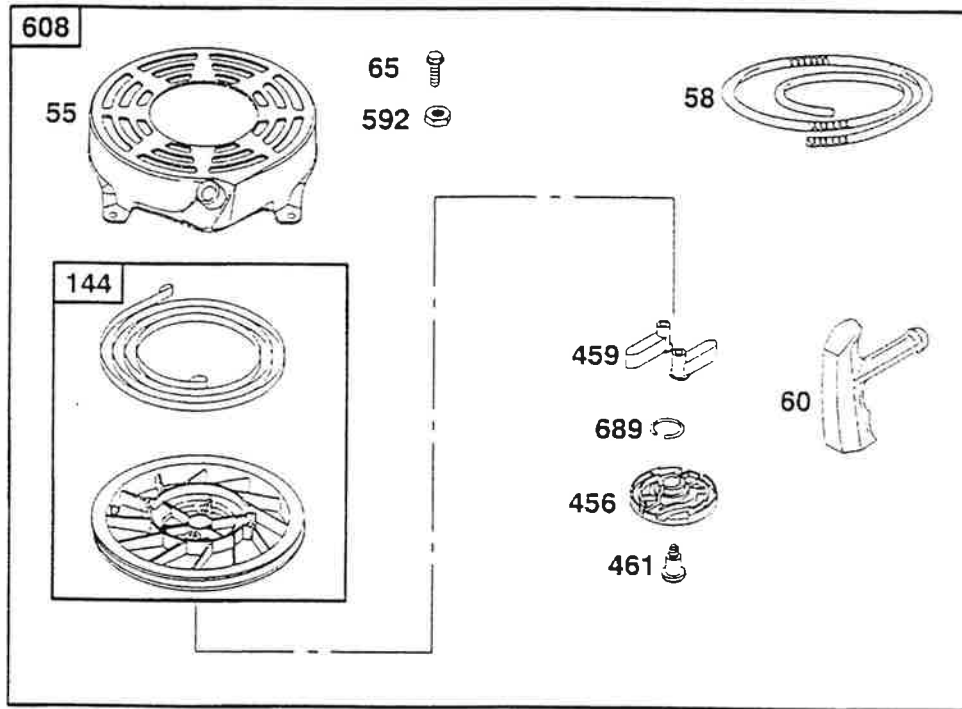
* Included in Gasket Set-See Ref. No. 358.
 • Included in Carburetor Kit-See Ref. No. 121.

◆ Included in Carburetor Gasket Set-See Ref. 977.
 ⌀ Included in Valve Overhaul Gasket Set-See Ref. No. 1095

ENGINE PARTS

CRAFTSMAN 2400 PSI HIGH PRESSURE WASHER 919.679180

BRIGGS ENGINE MODEL #12F802-2017



REF. NO.	PART NO.	DESCRIPTION	REF. NO.	PART NO.	DESCRIPTION	REF. NO.	PART NO.	DESCRIPTION
55	691421	Rewind Starter Housing	65	94904	Screw (Rewind Starter)	461	94943	Screw (Pawl Friction Plate)
58	280399	Starter Rope (Cut To Required Length)	144	498144	Pulley/Spring Assy	592	94908	Nut (Rewind Starter)
59	396892	Grip Insert	456	281503	Plate-Pawl Friction	608	497680	Starter-Rewind
60	281434	Starter Rope Grip	459	281505	Pawl-Ratchet	689	263073	Spring-Friction
60A	393152	Starter Rope Grip				946	223294	Stop-Rope

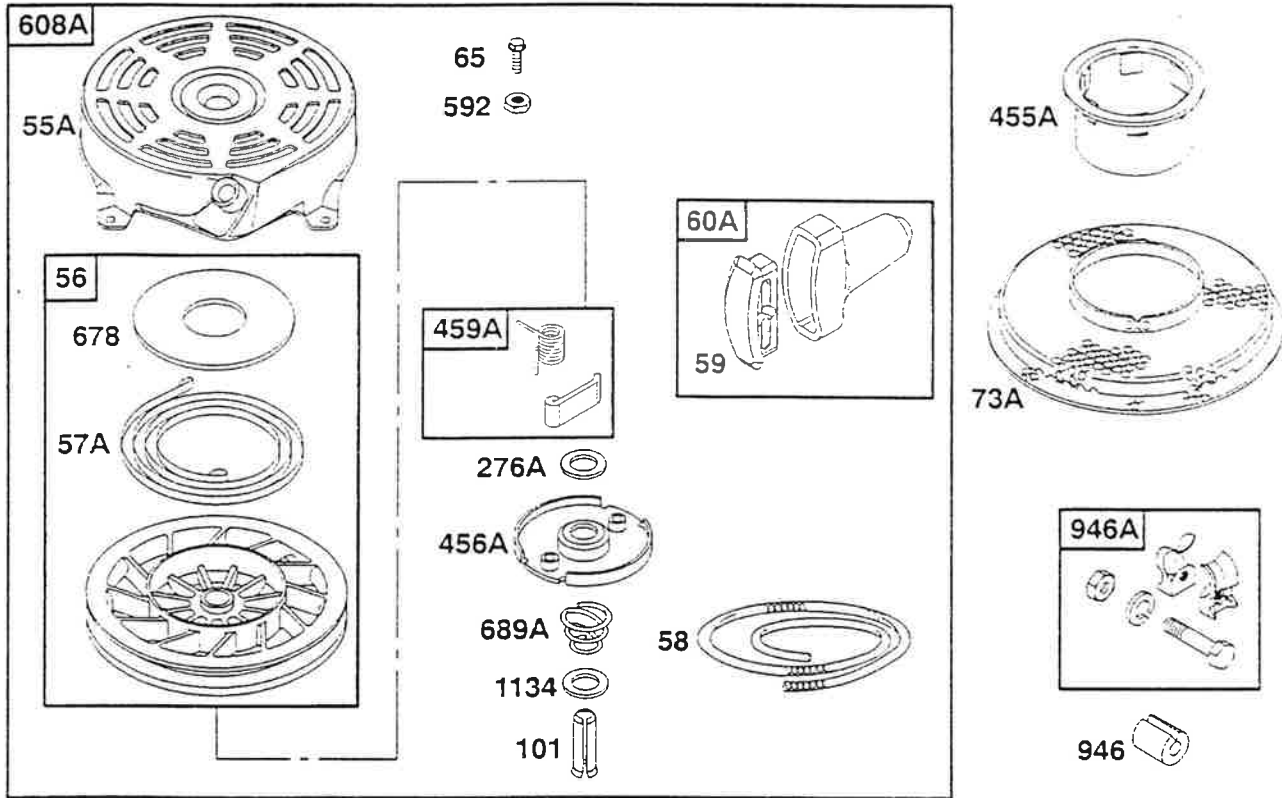
★ Included in Gasket Set-See Ref. No. 358.
 ● Included in Carburetor Kit-See Ref. No. 121.

◆ Included in Carburetor Gasket Set-See Ref. 977.
 ∅ Included in Valve Overhaul Gasket Set-See Ref. No. 1095.

ENGINE PARTS

CRAFTSMAN 2400 PSI HIGH PRESSURE WASHER 919.679180

BRIGGS ENGINE MODEL #12F802-2017



REF. NO.	PART NO.	DESCRIPTION	REF. NO.	PART NO.	DESCRIPTION	REF. NO.	PART NO.	DESCRIPTION
55A	492831	Rewind Starter Housing	65	94904	Screw (Rewind Starter)	608A	497598	Starter-Rewind
56A	493824	Starter Pulley	73A	224527	Screen-Rotating			Include(s):
57A	491889	Rewind Starter Spring	101	262626	Pin-Shaft	678	224278	Rewind Spacer
58	280399	Starter Rope (Cut To Required Length)	276A	280973	Washer-Seal	689A	262625	Spring-Friction
59	396892	Grip Insert	455A	224250	Cup-Flywheel	946	223294	Stop-Rope
60A	393152	Starter Rope Grip	456A	224321	Plate-Pawl Friction	946A	396526	Guide-Rope
			459A	492833	Pawl-Ratchet	1134	224322	Washer
			592	94908	Nut (Rewind Starter)			

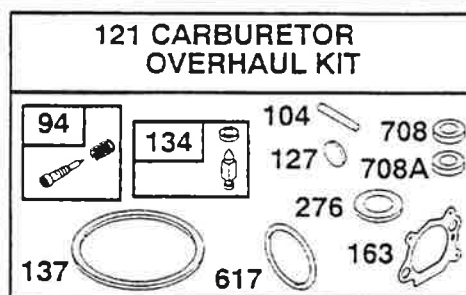
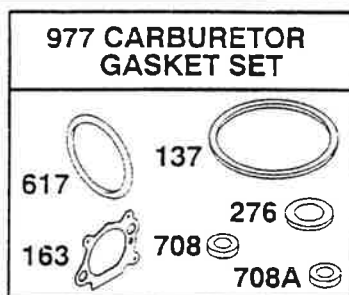
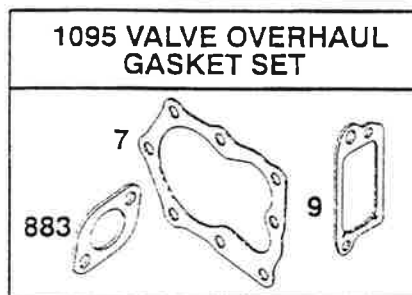
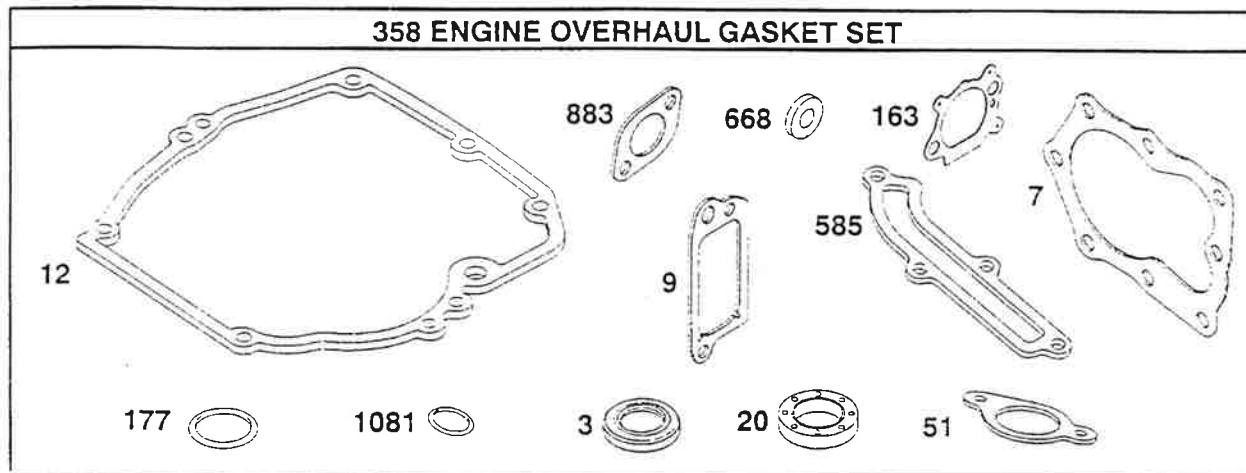
- ★ Included in Gasket Set-See Ref. No. 358.
- Included in Carburetor Kit-See Ref. No. 121.

- ◆ Included in Carburetor Gasket Set-See Ref. 977.
- ⊗ Included in Valve Overhaul Gasket Set-See Ref. No. 1095.

ENGINE PARTS

CRAFTSMAN 2400 PSI HIGH PRESSURE WASHER 919.679180

BRIGGS ENGINE MODEL #12F802-2017



REF. NO.	PART NO.	DESCRIPTION	REF. NO.	PART NO.	DESCRIPTION	REF. NO.	PART NO.	DESCRIPTION
3	★299819	Seal-Oil (Magneto Side)	163	★◆272653	Air Cleaner Gasket	708	◆◆691321	Seal-Dust (Throttle Shaft)
7	★2272916	Cylinder Head Gasket	177	★280393	O-Ring Seal (Dipstick)	----- Note -----		
9	★2272481	Breather Gasket	276	◆◆	Sealing Washer (Sold in Kit Only)	◆◆691321		Seal-Dust (Choke Shaft)
12	★272198	Crankcase Gasket	358	497316	Engine Overhaul Gasket Set	708A	◆◆693867	Seal-Dust
20	★399781	Seal-Oil (PTO Side)	585	★272238	Breather Passage Gasket			
51	★272199	Intake Gasket	617	◆◆270344	O-Ring Seal (Intake Manifold)			
94	◆493765	Idle Mixture Kit	668	★493823	Spacer (Includes 2)	883	★2272253	Exhaust Gasket
104	◆691242	Float Hinge Pin				977	498261	Gasket Set-Carburetor
121	498260	Carburetor Overhaul Kit				1081	★280966	O-Ring Seal (Dipstick Tube)
127	•	Welch Plug (Sold in Kit Only)				1095	498528	Gasket Set-Valve Overhaul
134	◆398188	Needle/Seat Kit						
137	◆◆	Gasket-Float Bowl (Sold in Kit Only)						

★ Included in Gasket Set-See Ref. No. 358.
 • Included in Carburetor Kit-See Ref. No. 121.

◆ Included in Carburetor Gasket Set-See Ref. 977.
 ☉ Included in Valve Overhaul Gasket Set-See Ref. No. 109

Free Manuals Download Website

<http://myh66.com>

<http://usermanuals.us>

<http://www.somanuals.com>

<http://www.4manuals.cc>

<http://www.manual-lib.com>

<http://www.404manual.com>

<http://www.luxmanual.com>

<http://aubethermostatmanual.com>

Golf course search by state

<http://golfingnear.com>

Email search by domain

<http://emailbydomain.com>

Auto manuals search

<http://auto.somanuals.com>

TV manuals search

<http://tv.somanuals.com>