

OWNER'S MANUAL

CRAFTSMAN

6.0 Horsepower 2400 PSI 2.4 GPM High Pressure Washer

Model No:
919.679240



WARNING: Before using this product, read this manual and follow all Safety Rules and Operating Instructions.

**PRESSURE WASHER
CUSTOMER
HELPLINE
1-800-245-5873**

- Safety
- Assembly
- Operation
- Maintenance
- Parts List
- Français

Sold by Sears Canada, Inc., Toronto, Ont. M5B2B8

TABLE OF CONTENTS

| | | | |
|------------------------------|-------|-------------------------------|------------|
| Warranty | 2 | Service and Adjustments | 13-14 |
| Safety Guidelines | 3-5 | Storage | 14 |
| Assembly | 5-7 | Troubleshooting | 15 |
| Operation | 7-10 | Parts | 16-27 |
| Product Specifications | 11 | EPA Codes | 28-29 |
| Maintenance | 11-13 | Français | 32-45 |
| | | How to Order Parts | Back Cover |

FULL ONE YEAR WARRANTY ON CRAFTSMAN HIGH PRESSURE WASHER

For one year from the date of purchase, when this Craftsman High Pressure Washer is maintained and operated according to the instructions in the owner's manual, Sears will repair, free of charge, any defect in material and workmanship.

If your Craftsman Pressure Washer is used for commercial or rental purposes, this warranty applies only for 90 days from the date of purchase.

FULL TWO YEAR WARRANTY ON CRAFTSMAN ENGINE

For two years from the date of purchase, when this Craftsman engine is maintained and operated according to the instructions in the owner's manual, Sears will repair, free of charge, any defect in material and workmanship.

If your Craftsman engine is used for commercial or rental purposes, this warranty applies only for 90 days from the date of purchase. This warranty does not cover expendable items such as spark plugs and air filters, which become worn during normal use.

Repairs necessary because of operator abuse or negligence, including damage resulting from no water being supplied to pump or failure to maintain the equipment according to the instructions contained in the owner's manual, are not covered under warranty.

WARRANTY SERVICE IS AVAILABLE BY RETURNING THE HIGH PRESSURE WASHER TO THE NEAREST SEARS SERVICE CENTER THROUGHOUT THE UNITED STATES. This warranty gives you specific legal rights and you may also have other rights, which vary from state to state.

Sears Canada, Inc., Toronto, Ont. M5B2B8

SAFETY GUIDELINES - DEFINITIONS

This manual contains information that is important for you to know and understand. This information relates to protecting **YOUR SAFETY** and **PREVENTING EQUIPMENT PROBLEMS**. To help you recognize this information, we use the symbols below. Please read the manual and pay attention to these sections. **SAVE THESE DEFINITIONS/INSTRUCTIONS.**

▲ **WARNING** indicates a potentially hazardous situation which, if not avoided, **could** result in **death or serious injury**.

▲ **DANGER** indicates an imminently hazardous situation which, if not avoided, **will** result in **death or serious injury**.





▲ **CAUTION** indicates a potentially hazardous situation which, if not avoided, **may** result in **minor or moderate injury**.

10/2/97






IMPORTANT SAFETY INSTRUCTIONS

▲ WARNING








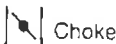
Improper operation or maintenance of this product could result in serious injury and property damage. Read and understand all warnings and operating instructions before using.

| HAZARD | WHAT CAN HAPPEN | HOW TO PREVENT IT |
|--|---|--|
| <div style="text-align: center;">  <p>DANGER</p> <p>RISK OF EXPLOSION OR FIRE</p> </div> <div style="text-align: center;">  </div> | <ul style="list-style-type: none"> • Spilled gasoline and its vapors can become ignited from cigarette sparks, electrical arcing, exhaust gases, and hot engine components such as the muffler. • Heat will expand fuel in the tank which could result in spillage and possible fire explosion. • Operating the pressure washer in an explosive environment could result in a fire. • Materials placed against or near the pressure washer can interfere with its proper ventilation features causing overheating and possible ignition of the materials. • Improperly stored fuel could lead to accidental ignition. Fuel improperly secured could get into the hands of children or other unqualified persons. | <ul style="list-style-type: none"> • Shut off engine and allow it to cool before adding fuel to the tank. • Use care in filling tank to avoid spilling fuel. Move pressure washer away from fueling area before starting engine. • Keep maximum fuel level ½ below top of tank to allow for expansion. • Operate and fuel equipment in well ventilated areas free from obstructions. Equip areas with fire extinguishers suitable for gasoline fires. • Never operate pressure washer in an area containing dry brush or weeds. • Store fuel in container approved for gasoline, in a secure location away from work area. |
| <div style="text-align: center;">  <p>DANGER</p> <p>RISK TO BREATHING</p> </div> <div style="text-align: center;">  </div> | <ul style="list-style-type: none"> • Breathing exhaust fumes will cause serious injury or death. • Some cleaning fluids contain substances which could cause injury to skin, eyes, or lungs. | <ul style="list-style-type: none"> • Operate pressure washer in a well ventilated area. Avoid enclosed areas such as garages, basements, etc. • Never operate unit in a location occupied by humans or animals. • Use only cleaning fluids specifically recommended for high pressure washers. Follow manufacturers recommendations. |

IMPORTANT SAFETY INSTRUCTIONS (cont'd)

| HAZARD | WHAT CAN HAPPEN | HOW TO PREVENT IT |
|--|---|---|
| <p>⚠ WARNING RISK OF UNSAFE OPERATION</p>  | <ul style="list-style-type: none"> • Unsafe operation of your pressure washer could lead to serious injury or death to you or others. • The spray gun/wand is a powerful cleaning tool that could look like a toy to a child. • Reactive force of spray will cause gun/wand to move, and could cause the operator to slip or fall, or misdirect the spray. Improper control of gun/wand can result in injuries to self and others. | <ul style="list-style-type: none"> • Become familiar with the operation and controls of the pressure washer. • Keep children away from the pressure washer at all times. • Never defeat the safety features of this product. • Do not operate machine with missing, broken, or unauthorized parts. • Never leave wand unattended while unit is running. • Keep work area free of obstacles. • Stand on a stable surface and grip gun/wand firmly. Expect the gun to kick when triggered. |
| <p>⚠ WARNING RISK OF INJURY FROM SPRAY</p>  | <ul style="list-style-type: none"> • High velocity fluid spray can cause objects to break, propelling particles at high speed. • Light or unsecured objects can become hazardous projectiles. | <ul style="list-style-type: none"> • Always wear ANSI approved Z87 safety glasses. Wear protective clothing to protect against accidental spraying. • Never point wand at, or spray people or animals. • Always secure trigger lock when wand is not in service to prevent accidental operation. • Never permanently secure trigger in pull back (open) position. |
| <p>⚠ WARNING RISK OF ELECTRICAL SHOCK</p>  | <ul style="list-style-type: none"> • Spray directed at electrical outlets or switches, or objects connected to an electrical circuit, could result in a fatal electrical shock. | <ul style="list-style-type: none"> • Unplug any electrically operated product before attempting to clean it. Direct spray away from electric outlets and switches. |
| <p>⚠ WARNING RISK OF FLUID INJECTION</p>  | <ul style="list-style-type: none"> • Your washer operates at fluid pressures and velocities high enough to penetrate human and animal flesh, which could result in amputation or other serious injury. Leaks caused by loose fittings or worn or damaged hoses can result in injection injuries. DO NOT TREAT FLUID INJECTION AS A SIMPLE CUT! See a physician immediately! • Relieve system pressure before attempting maintenance or disassembly of equipment. | <ul style="list-style-type: none"> • Never place hands in front of nozzle. • Direct spray away from self and others. • Make sure hose and fittings are tightened and in good condition. Never hold onto the hose or fittings during operation. • Do not allow hose to contact muffler. • Never attach or remove wand or hose fittings while system is pressurized. • Use only hose and high pressure accessories rated for 2400 PSI service. • To relieve system pressure, shut off engine, turn off water supply, and pull gun trigger until water stops flowing. |
| <p>⚠ WARNING RISK OF CHEMICAL BURN</p>  | <ul style="list-style-type: none"> • Use of acids, toxic or corrosive chemicals, poisons, insecticides, or any kind of flammable solvent with this product could result in serious injury or death. | <ul style="list-style-type: none"> • Do not use acids, gasoline, kerosene, or any other flammable materials in this product. Use only household detergents, cleaners and degreasers recommended for use in pressure washers. • Wear protective clothing to protect eyes and skin from contact with sprayed materials. |

IMPORTANT SAFETY INSTRUCTIONS (cont'd)

| HAZARD | WHAT CAN HAPPEN | HOW TO PREVENT IT |
|--|---|--|
| <p>⚠ WARNING RISK OF HOT SURFACES</p>  | <ul style="list-style-type: none"> Contact with hot surfaces, such as engines exhaust components, could result in serious burn. | <ul style="list-style-type: none"> During operation, touch only the control surfaces of the pressure washer. Keep children away from the pressure washer at all times. They may not be able to recognize the hazards of this product. |
| <p>International Symbols</p>   | <p>Safety Alert - Read Owner's Manual</p>  On Off  Stop  Fuel Shutoff  Fuel  Choke | |

⚠ CAUTION

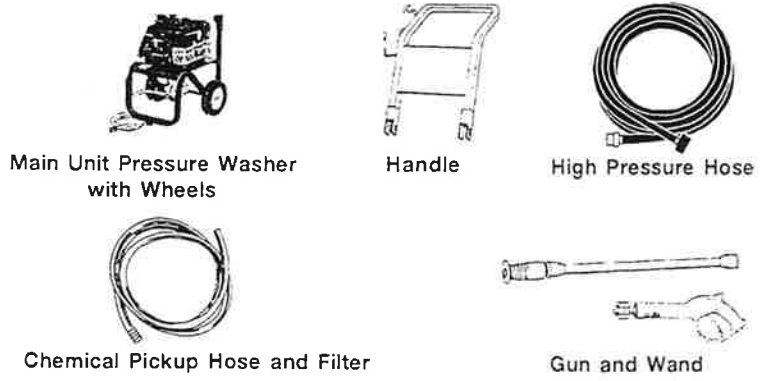
The powerful spray from your pressure washer is capable of causing damage to fragile surfaces such as: wood, glass, automobile paint, auto stripping and trim, and delicate objects such as flowers and shrubs. Before spraying, check the item to be cleaned to assure yourself that it is robust enough to resist damage from the force of the spray. Avoid the use of the concentrated spray stream except for very strong surfaces like concrete and steel.

Operating unit with water supply shut off without flow of water will result in equipment damage. You should never run this pressure washer for more than 2 minutes without pulling the trigger to allow cool water to enter the pump and the heated (recirculated) water to exit. Running the pressure washer with water supply shut off will void your warranty.

ASSEMBLY

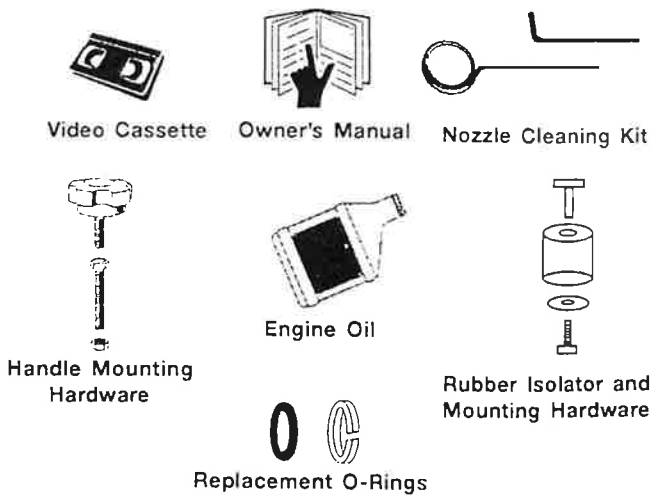
Carton Contents

- Main Unit pressure washer with wheels
- Handle
- High Pressure Hose
- Chemical Pickup Hose and Filter
- Gun
- Wand



Bag Containing

- Video Cassette
- Owner's Manual
- Nozzle Cleaning Kit and Replacement O-Rings
- Engine Oil
- Rubber Isolator and Mounting Hardware
- Handle Mounting Hardware



Tools Required for Assembly

Adjustable wrench

Allen wrench

Remove Pressure Washer from Carton

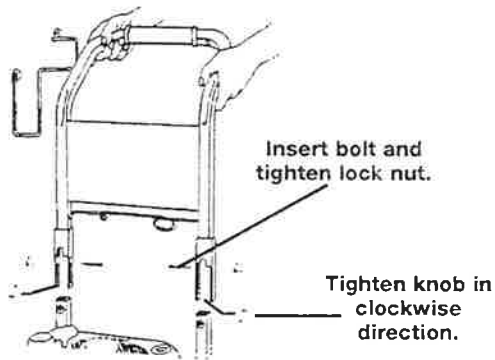
- Open carton from the top. Locate and remove from box the handle, gun, wand, videotape, and oil.
- Cut carton along dotted lines.
- Remove all carton inserts.
- Roll unit through opening in carton.

NOTE: The hose is located at the bottom of the box.

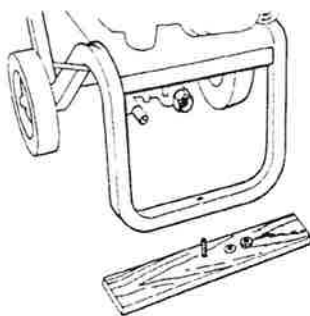
Preparing the Pressure Washer for First Use

Note: Included with your pressure washer is a video cassette tape on how to prepare your unit for operation. It is recommended you view this tape before performing the next steps.

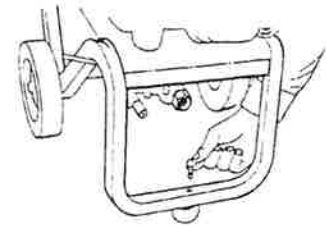
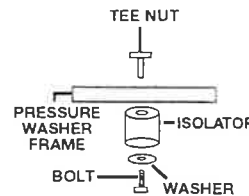
1. Insert handle onto frame.
 - Insert knobs into the threaded slot in front of the frame handle and tighten by turning in a clockwise direction.
 - Slide bolts into the slot in the side of the frame handle and tighten the nuts by turning in a clockwise direction.



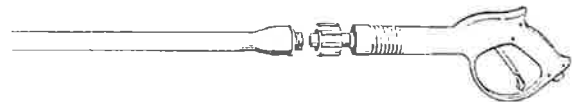
2. Using an adjustable wrench, remove nut from bolt that attaches board to frame. Remove wood plank from the frame of the unit. Discard bolt and board.



3. Mount the rubber isolator to the frame. To mount isolator place threaded end of bolt through the washer.
 - Next with washer on bolt place threaded end of bolt through the larger hole in bottom of the rubber isolator.
 - Place threaded portion of bolt through the same hole location the wood plank was mounted to on the pressure washer.
 - Next place the tee nut over the threaded portion of the bolt and use the Allen wrench provided to tighten isolator to the frame.



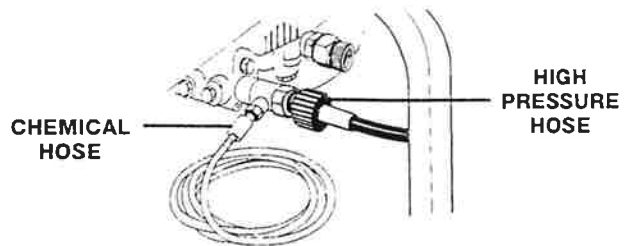
4. Connect wand extension to gun. To tighten, turn knob in clockwise direction. Hand tighten.



5. Remove tie wrap off of high pressure hose. Unwind high pressure hose and attach the threaded end to the gun. Tighten with adjustable wrench.



6. Connect high pressure hose to outlet on pressure washer and hand tighten firmly. Connect chemical pickup hose to hose barb on pump.



NOTE: Always keep hose away from engine muffler.

- Place assembled gun and wand on pressure washer holder.



- Place pull cord into the wire bracket holder. Pull the cord under the wire bracket to the right of the wire loop.

Lift the pull cord handle up and slide the cord to the left, sliding the cord into the wire loop. Next slide handle behind the wire bracket to the left of the wire loop. Engine recoil will pull the cord into its final position.

Checklist

Before going any further please review the following:

- Be sure you have completed assembly instructions.
- Double check all fittings to be sure they are tight.

IMPORTANT: Before any attempt to start your pressure washer be sure to check engine oil (See Operation under Engine Oil.)

OPERATION

Know Your High Pressure Washer

Read this Owner's Manual and Safety Rules before operation of your High Pressure Washer Compare this illustration with our pressure washer to familiarize yourself with the location of various controls and adjustments. Save this manual for future reference.

PUMP- Develops high pressure.

PRESSURE REGULATOR- Allows you to adjust the pressure of the outlet stream.

ENGINE RUN/STOP SWITCH- Sets engine in starting mode for recoil starter — **Stops** running engine.

RECOIL STARTER- Used for starting the engine manually.

SPRAY GUN ASSEMBLY (Contains Gun and Wand)- Controls the application of water onto cleaning surface with trigger device.

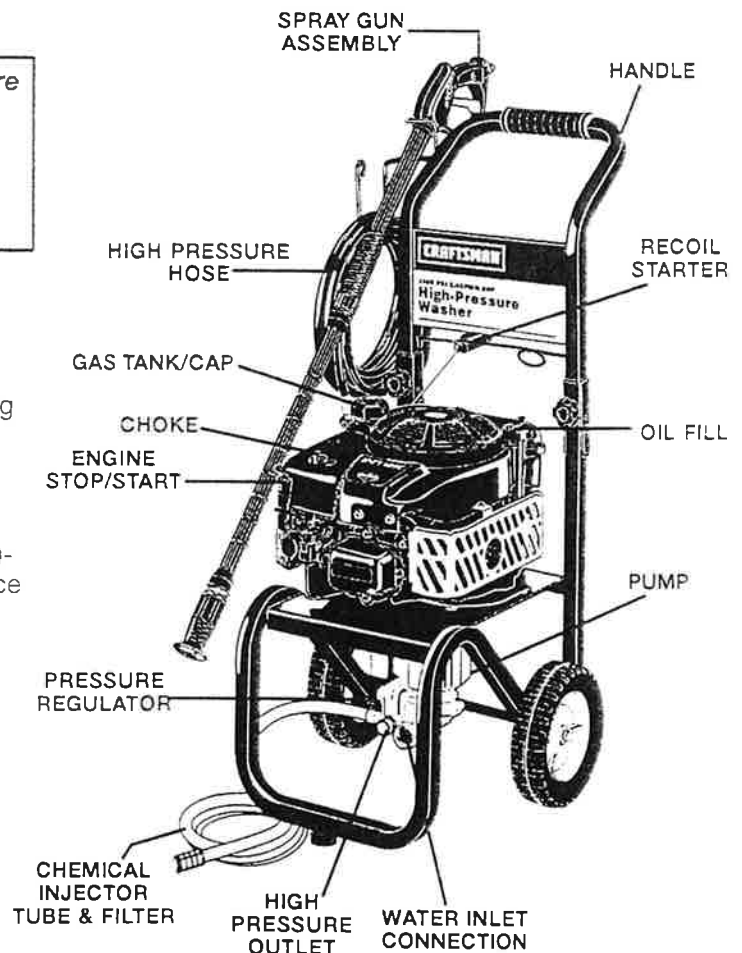
OIL FILL- Port where engine oil is poured.

GAS TANK/CAP- Cap is removed and unleaded gasoline is poured.

CHEMICAL INJECTION TUBE AND FILTER- Mixes water and detergent in outlet water flow.

HIGH PRESSURE OUTLET- Connection for high pressure hose.

CHOKE- Lever used for starting unit.



▲ WARNING: Read Owner's Manual. Do not attempt to operate equipment until you have read Owners Manual for Safety, Operation, and Maintenance Instructions.

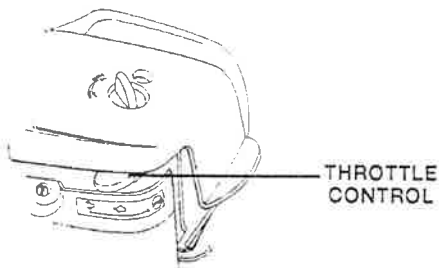
Note: Included with your unit is a video cassette that demonstrates how to operate your pressure washer. If you have a video cassette recorder you should to view the video before operation.

▲ WARNING: Never adjust spray pattern when spraying. Never put hands in front of spray nozzle to adjust spray pattern you could be injured.

Stopping Your Pressure Washer

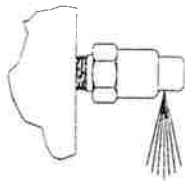
▲ CAUTION: Do not run pump without the water supply connected and turned on. Failure to do so will result in pump damage.

- Move throttle control to the stop position to turn pressure washer off.



- Simply shutting OFF engine will not release pressure in the system. After engine has stopped, squeeze the trigger on the spray gun for about 3 seconds to relieve pressure. Spray stream will decrease in length.

IMPORTANT: This unit is equipped with a thermal relief valve. If unit is allowed to run for several minutes without pressing the trigger on the spray gun, several drops of water may be released through this valve to cool the unit. This small amount of water will drip from the bottom of the pump.



Before Starting The Engine

To operate the engine you will need to do the following.

Note: Your pressure washer pump is a sealed pump, you should never have to add or change the oil.

▲ CAUTION: Always check engine oil level before every start. Running engine low of oil or out of oil could result in serious damage.

Engine Oil

Your unit has been shipped **without** oil in the engine. A bottle of SAE 30 weight oil is included in the carton. Remove oil dip stick located on top of the engine. Oil capacity is about 20 ounces of oil. The oil dip stick is clearly marked with a line that tells you when unit has enough oil. To check oil, place dipstick into oil fill. Tighten dipstick then remove. Do not fill above this point. Pour slowly.



NOTE: When adding oil to the engine crankcase, use a high quality detergent oil classified "For Service SF, SG, SH", rated SAE 30 weight. Use no special additives. Select the oil's viscosity grade according to your expected operating temperatures.

colder <-----40°F-----> warmer
Synthetic 5W-30 I SAE 30

Although multi-viscosity oils (5W30, 10W30, etc.) improve starting in cold weather, these multi-viscosity oils will result in increased oil consumption when used above 40°F. Check your engine oil level more frequently to avoid possible damage from running low on oil. Oil sump capacity is 20 ounces.

Gasoline

Your pressure washer engine is 4 cycle. Use unleaded fuel only.

▲ CAUTION: Do not overfill the fuel tank. Always allow room for fuel expansion.

▲ WARNING: Never fill fuel tank indoors. To avoid explosion and injury, never fill fuel tank when engine is running or hot. Do not smoke or have open flame when filling fuel tank.

Use clean, fresh, regular unleaded gasoline with a minimum of 85 octane. Do not mix oil with gasoline. If unleaded fuel is unavailable leaded fuel may be used.

IMPORTANT: It is important to prevent gum deposits from forming in essential fuel system parts such as the carburetor, fuel filter, hose or tank during storage. Also, experience indicates that alcohol-blended fuels (called gasohol or using ethanol or methanol) can attract moisture which leads to separation and formation of acids during storage. Acidic gas can damage the fuel system of an engine while in storage. To avoid engine problems, the fuel system should be emptied before storage of 30 days or longer. Never use engine or carburetor cleaner products in the fuel tank or permanent damage may occur.

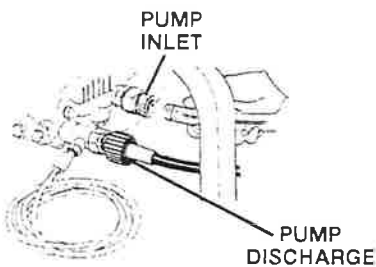
⚠ CAUTION: Never start pressure washer without water source turned on and connected to pressure washer. Failure to do so will cause pump damage.

To Start Your Pressure Washer

- Remove gas cap.
- Add unleaded gasoline, slowly, to fuel tank.
- Do not overfill.



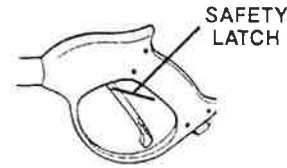
- Connect garden hose to the water inlet on the pressure washer. Tighten by turning counterclockwise.



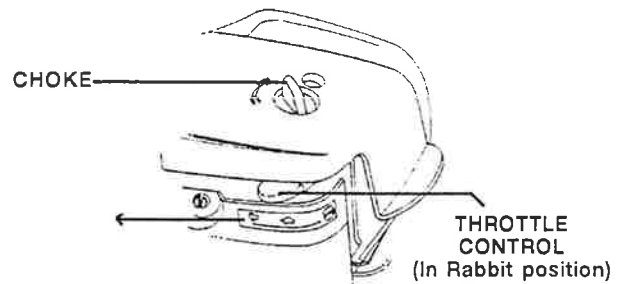
- Connect high pressure hose to discharge on pump.
- Connect the garden hose to the water spout and turn water supply on.



- Squeeze trigger on pressure washer wand to relieve air pressure caused by turning on the water. Water will spew out of the gun in a thin stream. This will make it easier to start the engine.
- Engage the safety latch on the spray gun. This locks the trigger in place and keeps you from accidentally spraying a high pressure stream.



- On the engine there is a choke/run lever. Place lever to the choke position.
- On the engine there is a throttle control lever. Place throttle to the rabbit position. Always start engine with throttle in the rabbit (high speed) position.



- Grasp the starter grip and pull slowly until resistance is felt, then pull firmly to start engine.

NOTE: If engine does not start right away, squeeze the trigger on the gun to relieve air pressure caused by turning on the water. Water will spew out of the gun in a thin stream. This will make it easier to pull start the engine. If more than five pulls, place choke lever back to run position.

- When engine starts, gradually move choke lever to RUN position.
- For hot engine restarts, make sure throttle is in the rabbit (high speed) position and the choke lever is in the RUN position.
- Grasp the starter grip and pull slowly until resistance is felt, then pull firmly to start engine.

How To Use Your Pressure Washer

On the end of your spray gun is a nozzle that you can slide forward and backward and that you can also twist from side to side. With the adjustable nozzle you can adjust the spray pattern to either high pressure or low pressure. You can also adjust the spray so it is concentrated in a stream pattern or expanded into a fan pattern.

- Slide the nozzle in a forward position to draw chemical and achieve low pressure. Pull nozzle back for high pressure.



HIGH PRESSURE



LOW PRESSURE

- To adjust your spray pattern twist the nozzle clockwise for fan spray or counterclockwise for stream spray.



FAN SPRAY

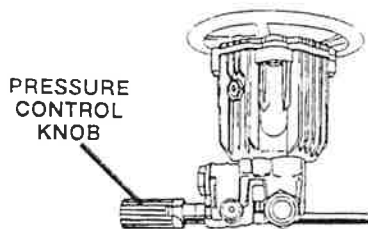


STREAM SPRAY

- For most effective cleaning, keep spray nozzle between 8 and 24 inches from cleaning surface.

IMPORTANT: If you get spray nozzle too close, especially on high pressure, you may damage the surface you are cleaning.

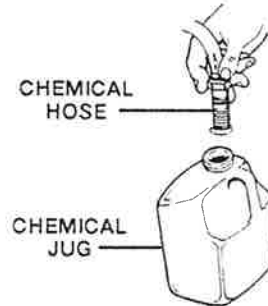
- The pressure control knob is located on the pump. You can increase the pressure by turning the knob clockwise or decrease the pressure by turning the knob counterclockwise.



Using Soaps/Chemicals

IMPORTANT: Use soaps and chemicals that are designed specifically for use with pressure washers. To apply soaps/chemicals follow these steps:

- Prepare the soap/chemical as required by your job.
- Insert soap/chemical line into your container (soap/chemicals and container not included).



- Slide the adjustable nozzle forward to low pressure mode. Soap/chemicals cannot be applied with nozzle in high pressure position.

- Review the use of the adjustable nozzle.

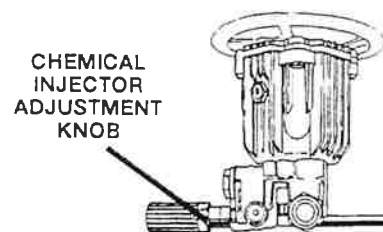
- Connect garden hose to water inlet (see "To Start Your Pressure Washer" on page 9). Check that high pressure hose is connected to spray gun and pump (see *Assembly*), and start engine.

- Apply soap/chemicals to dry surface, starting from the bottom and working up.

- Allow the soap/chemicals to soak in between 3-5 minutes before washing and rinsing.

- When rinsing on high pressure, start at lower portion of area to be washed and work upward, using long, even, overlapping strokes.

NOTE: Your pressure washer is equipped with a chemical injector adjustment knob. With the knob fully opened you will get a maximum chemical draw. With knob fully closed you will get **no** chemical draw. Turn knob in counterclockwise direction to achieve more chemical draw and clockwise for less chemical draw.



NOTE: This unit is set at its maximum pressure at the factory. Do not attempt to adjust the pressure higher than this factory setting.

MAINTENANCE

CUSTOMER RESPONSIBILITIES TABLE

| MAINTENANCE TASK | Before each use | Every 25 hours or yearly | Every 50 hours or yearly | Every 100 hours or yearly |
|---|---|-----------------------------|-----------------------------|------------------------------|
| PRESSURE WASHER | | | | |
| Check/clean inlet screen. | x | | | |
| Check high pressure hose. | x | | | |
| Check soap and chemical hose and filter | x | | | |
| Check gun and wand for leaks. | x | | | |
| Purge pump of air and contaminants | x | | | |
| ENGINE | | | | |
| Check oil level | x | | | |
| Change engine oil | | | x | |
| Clean air cleaner and precleaner | | x | | |
| Clean/replace spark plug | | | | x |
| Clean engine muffler & finger guard | | | | x |
| Prepare for storage | Prepare unit for storage if it is to remain idle for longer than 30 days. | | | |

Product Specifications

Pressure Washer Specifications

| | |
|----------------------------|---------|
| Pressure | 2400 |
| Flow Rate | 2.4 GPM |
| Cleaning Units (psi x GPM) | 5760 |

Engine Specifications

| | |
|-----------------------|----------------|
| RPM | 3600 |
| Rated Horsepower | 6.0 |
| Spark Plug Gap | .030" (0.76mm) |
| Gasoline Capacity | 1.5 quarts |
| Oil (22 oz. capacity) | SAE 30 weight |

General Recommendations

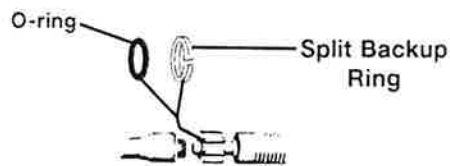
The warranty of the high pressure washer does not cover items that have been subjected to operator abuse or negligence. To receive full value from the warranty, operator must maintain high pressure washer as instructed in this manual.

Some adjustments will need to be made periodically to maintain your high pressure washer.

Once a year you should clean or replace the sparkplug, and clean or replace the air filter, and thoroughly check the gun and wand assembly for wear. A clean spark plug and clean air filter assure proper fuel-air mixture and help your engine run better and last longer.

Your pressure washer pump is a sealed pump; you should never have to add or change the oil.

NOTE: Over time the o-rings in the gun assembly become worn. Attached to your owners manual is a replacement o-ring and split backup ring.



Pressure Washer Maintenance

Check and Clean Inlet Screen: Examine inlet screen on pump inlet fitting. Clean if clogged; replace if torn.

Check High Pressure Hose: High pressure hose can develop leaks from wear, kinking, abuse. Inspect hose each time before use. Check for cuts, leaks, abrasions or bulging of cover, and damage or movement of couplings. If any of these conditions exist, replace hose immediately.

Check Chemical/Soap Hose: Examine the chemical/soap hose and clean if clogged. Hose should fit tightly on pump fitting. Check for leaks and tears. Replace filter or hose if either is damaged.

Check Gun and Wand: Examine hose connection to gun making sure it is secure. Test trigger by pressing it and making sure it springs back into place when you release it.

Pump Maintenance (Changing Pump Oil)

Your pressure washer pump is a sealed pump, you should never have to change oil.

Purge Pump of Air and Contaminants

To remove the air from the pump, follow these steps:

Set up the pressure washer as described in ASSEMBLY section and connect the water supply.

- Remove the wand extension from the spray gun.
- Pull the trigger on the gun and hold.

To remove the contaminants from the pump, follow these steps:

- Set up the pressure washer as described in ASSEMBLY section, connect the water supply.
- Remove the wand extension from the spray gun.
- Start the engine according to instructions in the OPERATION section.
- Pull the trigger on the gun and hold.
- When the water supply is steady and constant, disengage trigger and refasten the wand extension.

Engine Maintenance

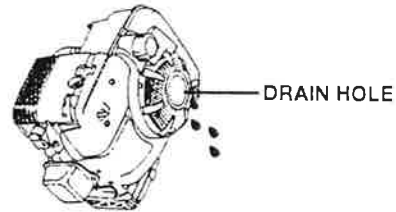
Check Oil Level

- Oil level should be checked prior to each use or at least every 5 hours of operation. To check oil see **Engine Oil** on page 8.

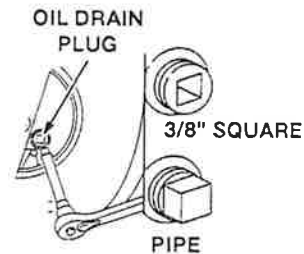
Changing Engine Oil

- Change oil while engine is still warm. Preferably drain oil from top of engine as illustrated below. Drain oil with air cleaner side up. Oil can be drained from engine bottom if necessary.

IMPORTANT: Before tipping engine or equipment to drain oil, drain fuel from tank by running engine until fuel tank is empty.



- To drain oil from bottom of engine, remove drain plug as illustrated below. Allow oil to drain and replace drain plug. Remove dipstick and refill with new oil of recommended grade. Start and run engine at idle for 30 seconds.

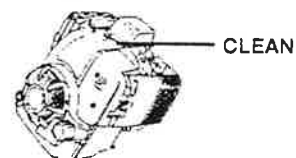


- Stop engine. Wait 30 seconds and re-check oil level. If required, add oil to bring level to FULL mark on dipstick.



Check Engine – Finger Guard/Muffler

- Do not clean engine with a forceful spray of water because water could contaminate fuel system. With a brush or cloth, clean any debris from finger guard after every use to prevent engine damage caused by overheating.



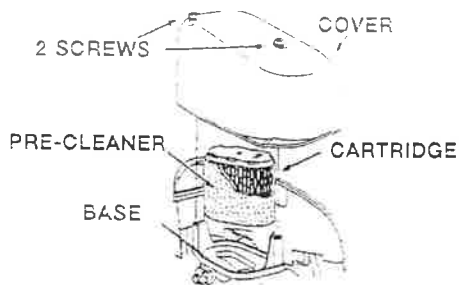
- Before running engine, clean muffler area to remove all grass and combustible debris.



Clean Pre-Cleaner and Air Cleaner Cartridge

Your engine is equipped with an oval dual element air cleaner: the two elements include a foam pre-cleaner and an air cleaner cartridge.

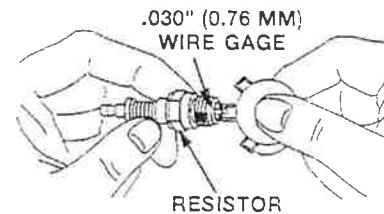
- To remove the air cleaner element, loosen two cover screws and lift cover. Carefully remove foam pre-cleaner and air cleaner cartridge.
- To clean pre-cleaner and air cleaner cartridge, wash in liquid detergent and water. Allow to dry thoroughly before using. Do not oil the pre-cleaner or cartridge. Replace if very dirty or damaged.
- After cleaning the pre-cleaner and air cleaner cartridge, replace pre-cleaner on air cleaner cartridge.
- Install air cleaner assembly (pre-cleaner and cartridge) in base. Then install cover on air cleaner and tighten screws securely to base.



NOTE: Do not use petroleum solvents, e.g., kerosene, which will cause the cartridge to deteriorate. Do not use pressurized air to clean cartridge. Pressurized air can damage the cartridge.

Clean and Replace Spark Plug

Change the spark plug every 100 hours of operation or once each year, whichever comes first. This will help your engine to start easier and run better.



SERVICE AND ADJUSTMENTS

Carburetor

The carburetor of your high pressure washer is pre-set at the factory. The carburetor should not be tampered with. If your pressure washer is used at an altitude in excess of 5000 feet consult with your nearest Sears Service Center regarding high altitude set changes.

▲ CAUTION: Engine speed was properly adjusted at the factory and should require no additional adjustment. Do not attempt to change engine speed. If you believe the engine is running too fast or too slow, take your pressure to a Sears Authorized Service Center for repair and adjustment.

▲ WARNING: High engine speeds are dangerous and increase the risk of personal injury or damage to equipment.

▲ CAUTION: Low engine speeds impose a heavy load on the engine and could shorten engine life.

Nozzle Cleaning

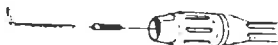
If the nozzle becomes clogged with foreign materials, such as dirt, excessive pressure may develop. If the nozzle becomes partially clogged or restricted, the pump pressure will pulsate. Clean the nozzle immediately using the nozzle kit supplied and the following instructions.

1. Shut off the pressure washer and turn off the water supply.
2. Disconnect spark plug wire.

3. Pull trigger on gun handle to relieve any water pressure.

Disconnect the wand from the gun.

5. Remove nozzle from the the end of the wand with the 2mm Allen wrench provided.
6. Clean the nozzle using the nozzle cleaner provided or a straightened paper clip. Insert into the nozzle end and work back and forth until obstructions is removed.



7. Direct water supply into nozzle end to backflush loosened particles for 30 seconds.



8. Reassemble the nozzle to the wand. Tighten securely to prevent leaks.
9. Reconnect wand to gun and turn on water supply.
10. Start pressure washer and place wand into high pressure setting to test.

STORAGE

Preparing Pressure Washer for Storage

NOTE: If you do not plan to use your unit for 30 days or more, unit should be prepared for storage.

IMPORTANT: It is important to prevent gum deposits from forming in essential fuel system parts such as the carburetor, fuel filter, hose or tank during storage. Also, experience indicates that alcohol-blended fuels (called gasohol or using ethanol or methanol) can attract moisture which leads to separation and formation of acids during storage. Acidic gas can damage the fuel system of an engine while in storage. To avoid engine problems, the fuel system should be emptied before storage of 30 days or longer. Never use engine or carburetor cleaner products in the fuel tank or permanent damage may occur.

Engine Preparation

- First add a fuel stabilizer to the fuel tank.
- Run pressure washer for a full 5 minutes to allow fuel stabilizer to enter the fuel system.
- Next shut off engine and disconnect the water supply.
- Disconnect the spark plug wire and remove the spark plug.
- Add one teaspoon of oil through the spark plug hole.
- Place rag over spark plug hole and pull the recoil a few times to lubricate the combustion chamber.
- Replace the spark plug, but do not connect the spark plug wire.

▲ CAUTION: While preparing the engine make sure water supply is turned on and flowing to the unit. **NEVER** run unit without water supply running through pump. Failure to do so will cause pump damage.

Pump Preparation

This pressure washer should be stored in such a way to protect it from freezing. Do not store this unit outdoors or in an area where temperatures will fall below 32° F. This can cause extensive damage to this unit.

If unit has to be stored under freezing conditions a non-toxic R.V. anti-freeze should be put in the pump according to steps below to protect from freezing.

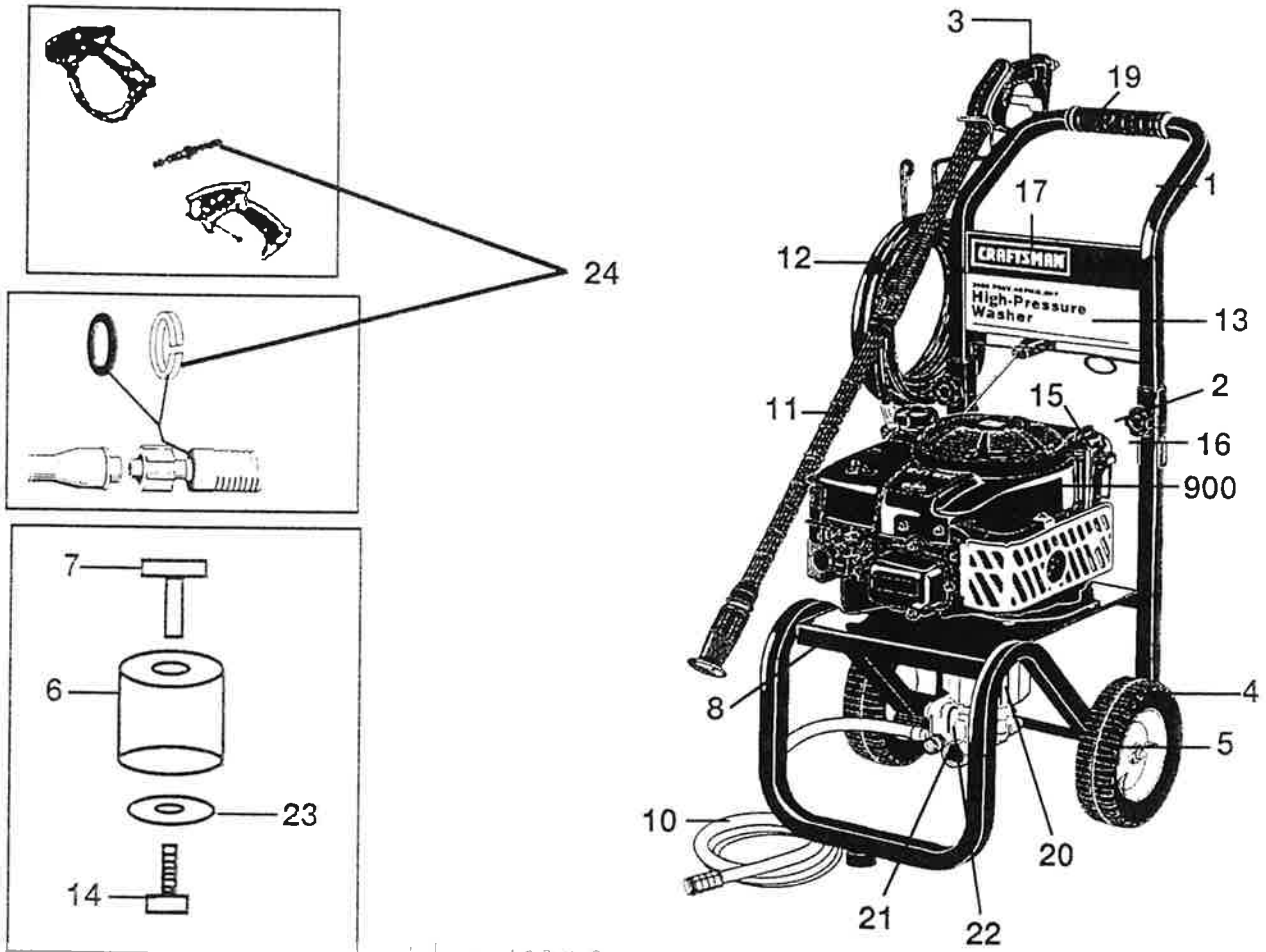
- Be sure engine switch is in "OFF" position and spark plug wire has been removed from spark plug.
- Pull the trigger on the spray gun to release the pressure in the high pressure hose. Detach high pressure hose and garden hose from the unit.
- Pull the recoil on the engine 4 to 6 times to discharge remaining water in pump.
- Tip the unit on the end with the water inlet fitting pointing upward.
- If unit will be stored where temperatures fall below 32°F, pour approximately 1/4 cup of non-toxic R.V. anti-freeze down the fitting where the water hose attaches to the pump.
- Set unit upright and pull starter handle on engine 4 to 6 times to circulate anti-freeze in pump until anti-freeze is discharged from the pump.

TROUBLESHOOTING

| SYMPTOM | CAUSE | SOLUTION |
|--|---|--|
| Engine won't start | <ol style="list-style-type: none"> 1. Engine throttle is in "OFF" Position. 2. Choke lever has not been placed to choke. 3. Pressure buildup after initial use. | <ol style="list-style-type: none"> 1. Slide throttle to "Run" position. 2. Slide choke lever to choke position. 3. Depress trigger gun. |
| Wqn't Draw Chemical | <ol style="list-style-type: none"> 1. Nozzle not in chemical draw position. 2. Chemical screen is obstructed. 3. Chemical screen not working. 4. Chemical injector orifice obstructed or stuck. | <ol style="list-style-type: none"> 1. Push nozzle forward at end of wand. 2. Check chemical screen; clean if obstructed. 3. Make sure chemical screen is submerged in chemical/water. 4. Check and clean. |
| Pump running normally but pressure does not achieve rated values | <ol style="list-style-type: none"> 1. Water supply restricted. 2. Nozzle is in low PSI position. 3. Nozzle incorrect or worn. 4. Pump sucking air. 5. Nozzle blocked. | <ol style="list-style-type: none"> 1. Check water supply and filter screen for blockage. Check hoses for blockage, kinks, leaks, etc. 2. Pull nozzle at end of wand back to the high pressure position. 3. Check and replace. 4. Check that hoses and fittings are airtight. 5. Clean nozzle. |
| Fluctuating Pressure | <ol style="list-style-type: none"> 1. Pump sucking air. 2. Garden hose inlet strainer clogged. 3. Worn Seals or Packing. 4. Inadequate water supply. 5. Fouled or dirty inlet or discharge valves. 6. Leaky discharge hose. | <ol style="list-style-type: none"> 1. Check that hoses and fittings are airtight. Purge air from garden hose. 2. Clean. Check filter frequently. 3. Check and replace. 4. Check hose for kinks. 5. Check flow available to pump. Check for excessive heat, 145° F or above. 6. Clean inlet and discharge valve assemblies. Replace if damaged. |
| Pressure drops after period of normal use | <ol style="list-style-type: none"> 1. Nozzle clogged, partially obstructed. 2. Nozzle worn. 3. Valves worn, dirty or stuck. 4. Worn piston packing. | <ol style="list-style-type: none"> 1. Check connection. Replace if cracked or punctured. 2. Clean or replace. 3. Check and replace. 4. Check and replace. |
| Pump noisy | <ol style="list-style-type: none"> 1. Water too hot. 2. Pump sucking air. 3. Valves dirty or worn. 4. Worn bearings. | <ol style="list-style-type: none"> 1. Reduce temperature below 63° C or 145° F. 2. Check that hoses and fittings are airtight. 3. Check, clean or replace. 4. Check and replace if necessary. |
| Presence of water in oil (oil milky); | <ol style="list-style-type: none"> 1. High humidity. 2. Piston packing and oil seal worn. | <ol style="list-style-type: none"> 1. Change Oil. 2. Check and replace oil seals. |
| Water dripping from pump | <ol style="list-style-type: none"> 1. Fittings Loose. 2. O-rings of piston guide or retainer worn. 3. Piston packing worn. | <ol style="list-style-type: none"> 1. Tighten. 2. Check and replace. 3. Check and replace. |
| Oil Dripping | <ol style="list-style-type: none"> 1. Oil seal worn 2. Loose drain plug or worn drain plug o-ring. | <ol style="list-style-type: none"> 1. Check and replace 2. Tighten drain plug or replace o-ring. Do not over torque. |

PARTS

CRAFTSMAN 2400 PSI HIGH PRESSURE WASHER 919.679240



video 1998

| REF NO. | PART NUMBER | DESCRIPTION |
|---------|-------------|--|
| 1 | 17715 | Handle |
| 2 | C042 | Knob - 5/16" |
| 3 | 17628 | Gun |
| 4 | 17709 | Tire Semi (7 x 1 3/4") |
| 5 | W137 | Nut Pal 1/2" |
| 6 | 16371 | Rubber Foot, Hollow |
| 7 | W131 | Tee Nut 5/160" x 3/4" |
| 8 | 17713 | Frame |
| 10 | H140 | Hose, Chemical |
| 11 | 17774 | Lance, Multi-Reg |
| 12 | 16467 | Hose |
| 13 | 17569 | Decal Craftsman |
| 14 | F064 | Screw - Hex 5/16" - 18 x 1LG |
| 15 | F469 | Lock Nut 5/16" |
| 16 | 17712 | Screw HHC, 5/16" |
| 17 | 17716 | Decal Operation |
| 19 | 17367 | Handle Grip |
| 900 | ---- | Engine (Refer to Engine Break-down (Model 120602-01350-E2) |
| 20 | PK16482 | Pump |
| 21 | 16829 | Garden Hose Adapter 1/2" |
| 22 | F504W | 3/8" Coupling |
| 23 | F112 | Washer |
| 24 | AL-650015 | O-Ring Kit |

PARTS NOT ILLUSTRATED

| | |
|------------|------------------------------|
| MGP-769010 | Owners Manual |
| NCT001 | Nozzle Cleaning Kit |
| F101 | Screw, Hex-Engine to Pump |
| F196 | Screw, Hex-Engine to Pump |
| 16087 | Nut Flanghead-Engine to Pump |
| F074 | Washer Flat-Engine to Pump |
| 16505 | Thermal Relief Valve |

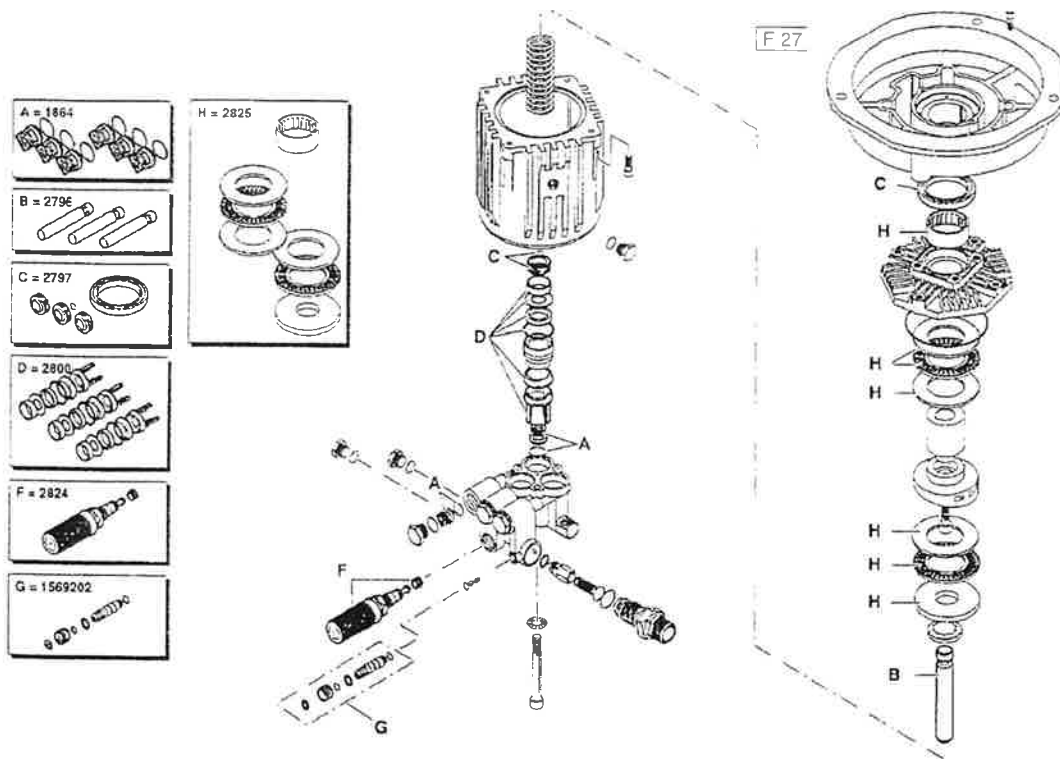
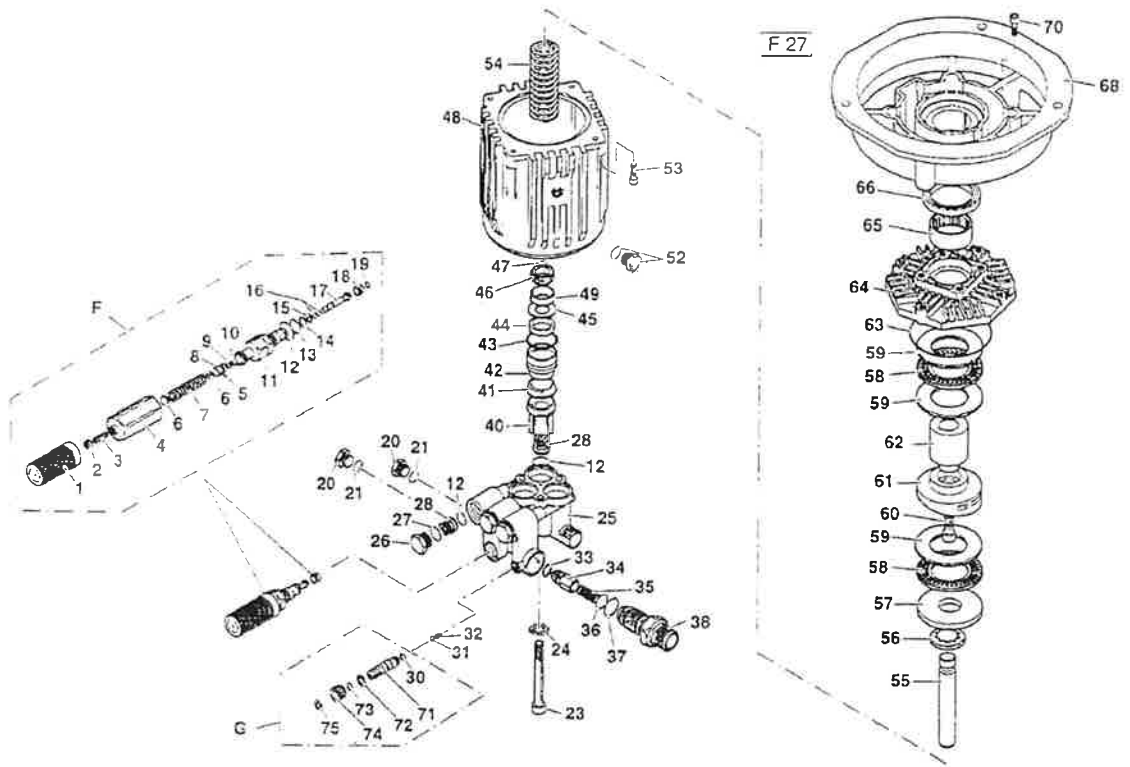
ACCESSORIES
(Not Included with Pressure Washer)

| | |
|-----------|-------------------------------|
| 919.76430 | Floor/Siding Brush |
| 919.76431 | Fixed Brush |
| 919.76450 | 25Ft. 3/8" high pressure hose |
| 919.76451 | 50Ft. 3/8" high pressure hose |
| 919.76484 | Turbo nozzle |

PUMP PARTS

CRAFTSMAN 2400 PSI HIGH PRESSURE WASHER 919.679240

PUMP BREAKDOWN MODEL PK16482



PUMP PARTS

CRAFTSMAN 2400 PSI HIGH PRESSURE WASHER 919.679240

PUMP BREAKDOWN MODEL PK16482

oil plug - AR-1980290

| REF. NO. | PART NO. | DESCRIPTION | QTY. | REF. NO. | PART NO. | DESCRIPTION | QTY. |
|----------|------------|----------------|------|----------|------------|--------------------|------|
| 1 | AR-1322520 | Knob | 1 | 37 | AR-1200690 | O-Ring | 1 |
| 2 | AR-1980300 | Nut | 1 | 38 | AR-1270130 | Detergent Injector | 1 |
| 3 | AR-1980470 | Grub Screw | 1 | 40 | AR-1980190 | Support Ring | 3 |
| 4 | AR-1980640 | Handle Insert | 1 | 41 | AR-1342761 | Gasket | 3 |
| 5 | AR-1080070 | Pin | 1 | 42 | AR-1980180 | Piston Guide | 3 |
| 6 | AR-1980220 | Plate Spring | 1 | 43 | AR-770130 | O-Ring | 3 |
| 7 | AR-1271070 | Spring | 1 | 44 | AR-1260440 | Gasket | 3 |
| 8 | AR-1080041 | Upper Piston | 1 | 45 | AR-1980170 | Ring | 3 |
| 9 | AR-1080401 | Ring | 1 | 46 | AR-1980410 | Seal | 3 |
| 10 | AR-1080250 | O-Ring | 1 | 47 | AR-770090 | O-Ring | 1 |
| 11 | AR-1980210 | Piston Guide | 1 | 48 | AR-1980460 | Housing | 1 |
| 12 | AR-880830 | O-Ring | 7 | 49 | AR-1980430 | Spacer | 3 |
| 13 | AR-740290 | O-Ring | 1 | 52 | AR-1980290 | Oil Plug | 1 |
| 14 | AR-800560 | O-Ring | 1 | 53 | AR-180030 | Screw | 4 |
| 15 | AR-1271170 | Ring | 1 | 54 | AR-1980160 | Spring | 3 |
| 16 | AR-1080190 | O-Ring | 2 | 55 | AR-1980140 | Piston | 3 |
| 17 | AR-1271160 | Lower Piston | 1 | 56 | AR-1980150 | Ring | 3 |
| 18 | AR-1980200 | Valve Seat | 1 | 57 | AR-1980130 | Rail | 1 |
| 19 | AR-1470210 | O-Ring | 1 | 58 | AR-1980250 | Cage | 2 |
| 20 | AR-880581 | Plug | 2 | 59 | AR-1980240 | Rail | 3 |
| 21 | AR-820510 | O-Ring | 2 | 60 | AR-850370 | Screw | 1 |
| 22 | AR-1980310 | Screw | 3 | 61 | AR-1980070 | Wobble Plate | 1 |
| 23 | AR-650530 | Washer | 3 | 62 | AR-1980440 | Hollow Shaft | 1 |
| 24 | AR-1980650 | Pump Head | 1 | 63 | AR-1980340 | O-Ring | 1 |
| 25 | AR-1260162 | Plug | 3 | 64 | AR-1980450 | Flange | 1 |
| 26 | AR-960160 | O-ring | 3 | 65 | AR-1980230 | Roller Bearing | 1 |
| 27 | AR-1269050 | Complete Valve | 6 | 66 | AR-480671 | Seal | 1 |
| 28 | AR-480480 | O-Ring | 1 | 68 | AR-1980510 | El. Motor Flange | 1 |
| 29 | AR-1250280 | Ball | 1 | 70 | AR-1200430 | Screw | 4 |
| 30 | AR-1560520 | Spring | 1 | 71 | AR-1560650 | Hose Tail | 1 |
| 31 | AR-1460430 | O-Ring | 1 | 72 | AR-800560 | O-Ring | 1 |
| 32 | AR-1540170 | Jet | 1 | 73 | AR-480560 | O-Ring | 1 |
| 33 | AR-1080091 | Spring | 1 | 74 | AR-1560670 | Knob | 1 |
| 34 | AR-394280 | O-Ring | 1 | 75 | AR-1560660 | Ring | 1 |

PARTS KITS

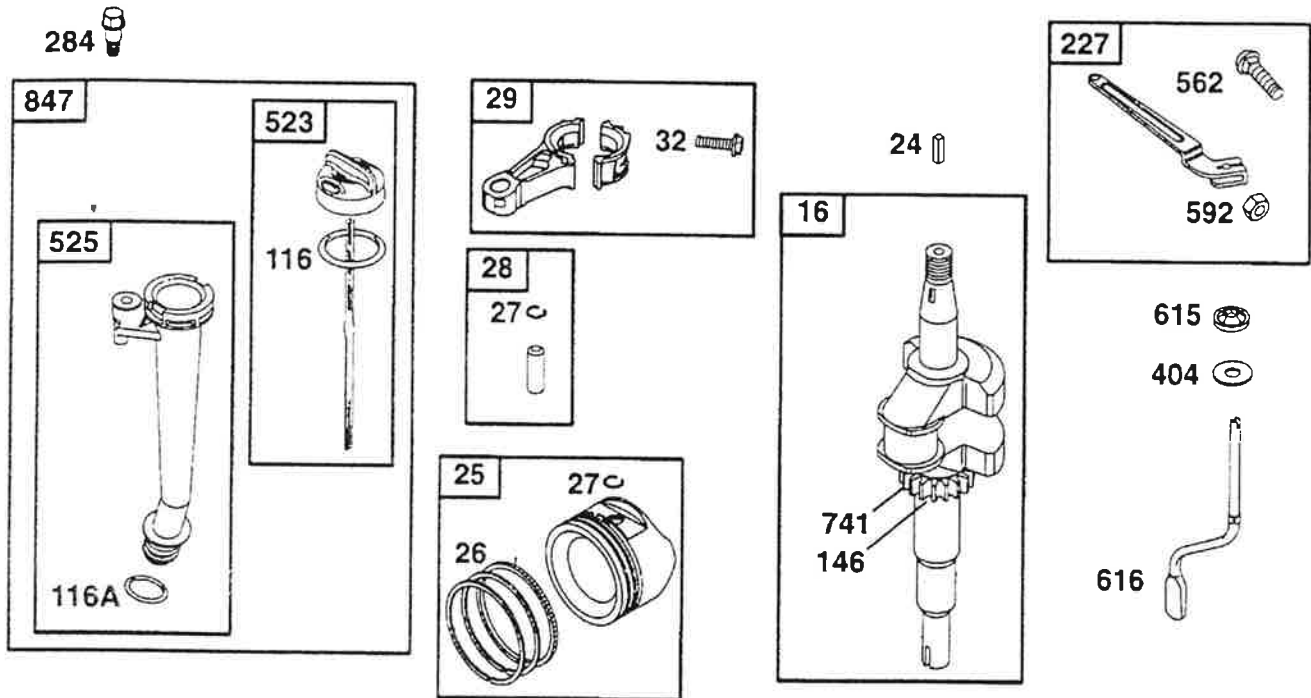
| A=KIT 16739 Valves | | B=KIT 16740 Pistons | | C=KIT 16742 Oil Seals | | D=KIT 16738 Water Seals | |
|-----------------------|------|------------------------|------|--------------------------|------|----------------------------|------|
| Pos. | Qty. | Pos. | Qty. | Pos. | Qty. | Pos. | Qty. |
| 12 | 6 | 55 | 3 | 46 | 3 | 40 | 3 |
| 28 | 6 | | | 47 | 1 | 41 | 3 |
| | | | | 66 | 1 | 43 | 3 |
| | | | | | | 44 | 3 |
| | | | | | | 45 | 3 |
| | | | | | | 49 | 3 |

| F=KIT 16737 Unloader Valve | | G=KIT 16741 Chemical Injector | | H=KIT 16743 Bearing | |
|-------------------------------|------|----------------------------------|------|------------------------|------|
| Pos. | Qty. | Pos. | Qty. | Pos. | Qty. |
| 1 | 1 | 8 | 1 | 15 | 1 |
| 2 | 1 | 9 | 1 | 16 | 2 |
| 3 | 1 | 10 | 1 | 17 | 1 |
| 4 | 1 | 11 | 1 | 18 | 1 |
| 5 | 1 | 12 | 1 | 19 | 1 |
| 6 | 2 | 13 | 1 | | |
| 7 | 1 | 14 | 1 | | |

ENGINE PARTS

CRAFTSMAN 2400 PSI HIGH PRESSURE WASHER 919.679240

BRIGGS ENGINE MODEL #120602-01350-E2



| REF. NO. | PART NO. | DESCRIPTION | REF. NO. | PART NO. | DESCRIPTION | REF. NO. | PART NO. | DESCRIPTION | |
|----------|----------|----------------------------|--------------------------------------|----------|---------------------|-----------------------|----------|-------------|------------------------|
| 16 | 693291 | Crankshaft | 26 | 499631 | Ring Set (Standard) | 116A | *280966 | Seal-O-Ring | |
| 24 | 222698 | Key-Flywheel | | | Note | 146 | 94388 | Key-Timing | |
| 25 | 499627 | Piston Assembly (Standard) | | | 692785 | Ring Set (.010" O.S.) | 227 | 498772 | Lever-Governor |
| | | Note | | | 692786 | Ring Set (.020" O.S.) | 284 | 94511 | Screw-Shoulder |
| | | 692788 | Piston Assy. (.010" O.S.) | | 692787 | Ring Set (.030" O.S.) | 404 | 67072 | Washer |
| | | 692789 | Piston Assy. (.020" O.S.) | 27 | 263190 | Lock-Piston Pin | 523 | 499621 | Dipstick |
| | | 692790 | Piston Assy. (.030" O.S.) (Standard) | 28 | 499423 | Pin-Piston | 525 | 495265 | Tube-Oil Fill |
| | | | | 29 | 499424 | Rod-Connecting | 562 | 94852 | Bolt-Governor Lever |
| | | | | 32 | 94699 | Screw-Connecting Rod | 592 | 231082 | Nut-Hex. |
| | | | | 116 | *280393 | Seal-O-Ring | 615 | 94474 | Retainer-Governor |
| | | | | | | | 616 | 263175 | Crank-Governor |
| | | | | | | | 741 | 262598 | Gear-Timing |
| | | | | | | | 847 | 498715 | Dipstick/Tube Assembly |

+ Included in Gasket Set-Part No. 692702.
 Included in Valve Overhaul Kit-Part No. 692705.

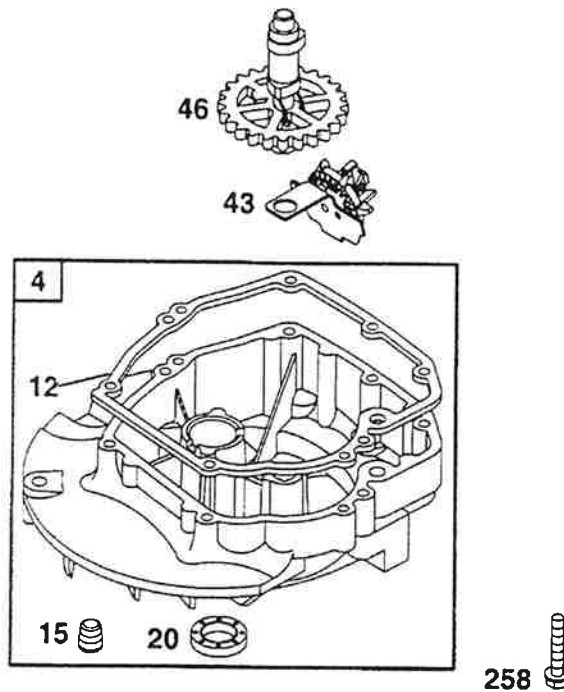
● Included in Carburetor Kit-Part No. 692703
 ◆ Included in Carburetor Gasket Set-Part No. 692704.

Assemblies include all parts shown in frames.

ENGINE PARTS

CRAFTSMAN 2400 PSI HIGH PRESSURE WASHER 919.679240

BRIGGS ENGINE MODEL #120602-01350-E2



| REF. NO. | PART NO. | DESCRIPTION | REF. NO. | PART NO. | DESCRIPTION | REF. NO. | PART NO. | DESCRIPTION |
|----------|----------|------------------|----------|----------|------------------------------------|----------|----------|----------------------|
| 4 | 499619 | Sump-Engine | 258 | 94220 | Screw-Hex. | 43 | 493737 | Governor/Oil Slinger |
| 12 | *272198 | Gasket-Crankcase | | | Note | 46 | 499749 | Gear-Cam |
| 15 | 94880 | Plug-Oil Drain | | | 94612 Screw-Hex. | | | |
| 20 | *399781 | Seal-Oil | | | One Used in Hole Nearest Breather. | | | |

* Included in Gasket Set-Part No. 692702.
 Δ Included in Valve Overhaul Kit-Part No. 692705.

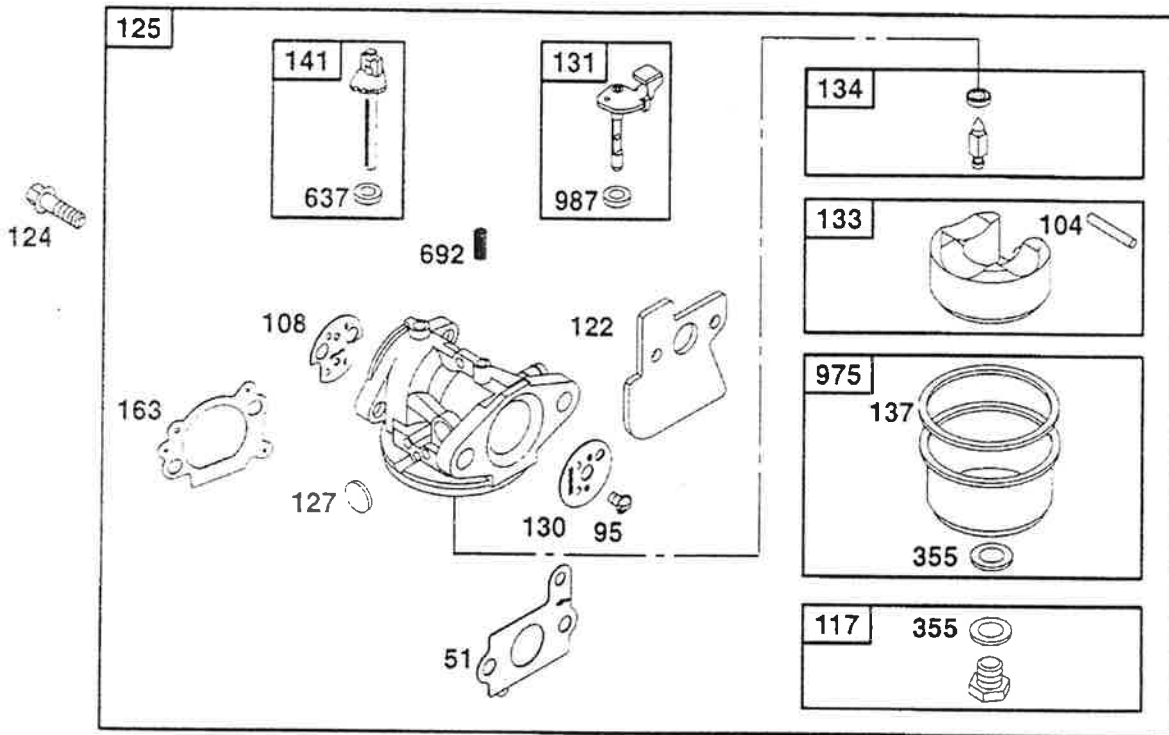
● Included in Carburetor Kit-Part No. 692703
 ◆ Included in Carburetor Gasket Set-Part No. 692704.

Assemblies include all parts shown in frames.

ENGINE PARTS

CRAFTSMAN 2400 PSI HIGH PRESSURE WASHER 919.679240

BRIGGS ENGINE MODEL #120602-01350-E2



| REF. NO. | PART NO. | DESCRIPTION | REF. NO. | PART NO. | DESCRIPTION | REF. NO. | PART NO. | DESCRIPTION |
|----------|----------|-------------------|----------|----------|----------------------------------|----------|----------|---------------------|
| 51 | 692668 | Gasket-Intake | 127 | • | Plug-Welch (Sold in Kit Only) | 141 | 693866 | Shaft-Choke |
| 95 | 94098 | Screw-Round Head | 130 | 224908 | Valve-Throttle | 163 | 692667 | Gasket-Air Cleaner |
| 104 | 231371 | Pin-Float Hinge | 131 | 499682 | Shaft-Throttle | 355 | 271716 | Washer-Seal |
| 108 | 223471 | Valve-Choke | 133 | 398187 | Float-Carburetor | 637 | 693867 | Seal-Choke Shaft |
| 117 | 497466 | Jet-Main | 134 | 398188 | Valve-Needle (Includes Seat) | 692 | 262715 | Spring-Detent |
| 122 | 692799 | Spacer-Carburetor | 137 | 280492 | Gasket-Float Bowl | 975 | 493640 | Bowl-Float |
| 124 | 95048 | Screw-Hex. | | | | 987 | 280566 | Seal-Throttle Shaft |
| 125 | 693864 | Carburetor | | | | | | |

* Included in Gasket Set-Part No. 692702.

Δ Included in Valve Overhaul Kit-Part No. 692705.

• Included in Carburetor Kit-Part No. 692703

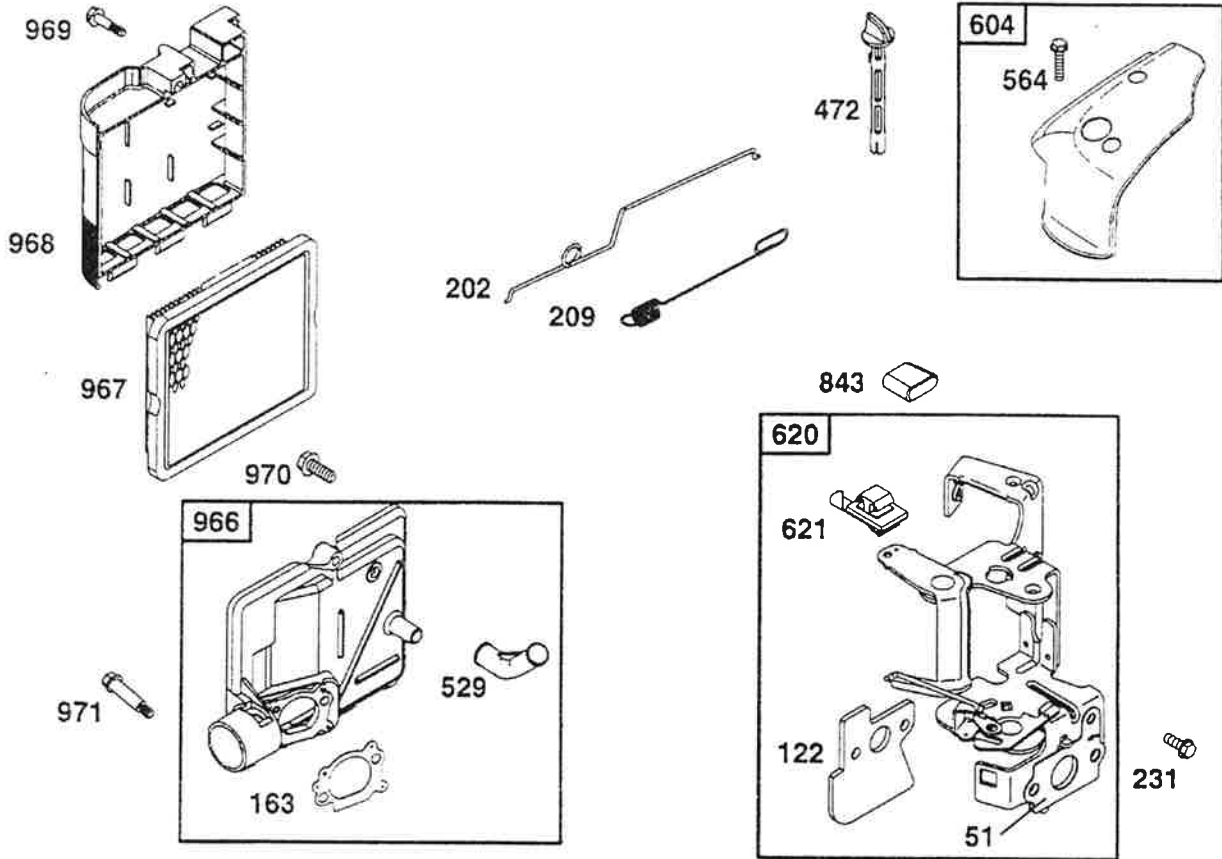
◆ Included in Carburetor Gasket Set-Part No. 692704.

Assemblies include all parts shown in frames.

ENGINE PARTS

CRAFTSMAN 2400 PSI HIGH PRESSURE WASHER 919.679240

BRIGGS ENGINE MODEL #120602-01350-E2



| REF. NO. | PART NO. | DESCRIPTION | REF. NO. | PART NO. | DESCRIPTION | REF. NO. | PART NO. | DESCRIPTION |
|----------|----------|----------------------|----------|----------|-------------------|----------|----------|-------------------|
| 51 | 692668 | Gasket-Intake | 529 | 281299 | Grommet | 966 | 693863 | Base-A/C Primer |
| 122 | 692799 | Spacer-Carburetor | 564 | 693808 | Screw-Hex. | 967 | 491588 | Filter-Air |
| 163 | 692667 | Gasket-Air Cleaner | 604 | 693807 | Cover-Control Kit | 968 | 281340 | Cover-Air Cleaner |
| 202 | 263148 | Link-Mechanical Gov. | 620 | 693378 | Bracket-Control | 969 | 94872 | Screw-Hex. |
| 209 | 263038 | Spring-Governor | 621 | 396847 | Switch-Stop Assy | 970 | 94118 | Screw-Hex. |
| 231 | 691147 | Screw-Hex. | 843 | 272616 | Sleeve-Lever | 971 | 94873 | Screw-Hex. |
| 472 | 693809 | Choke Shaft Knob | | | | | | |

★ Included in Gasket Set-Part No. 692702.

△ Included in Valve Overhaul Kit-Part No. 692705.

● Included in Carburetor Kit-Part No. 692703

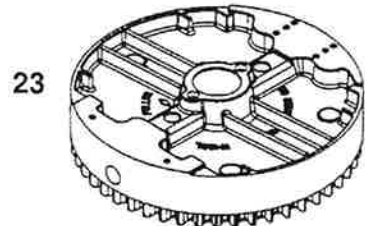
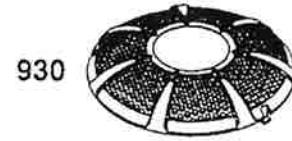
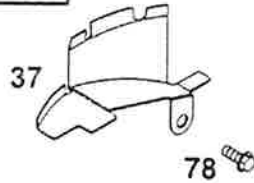
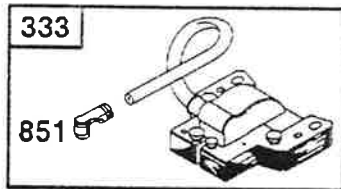
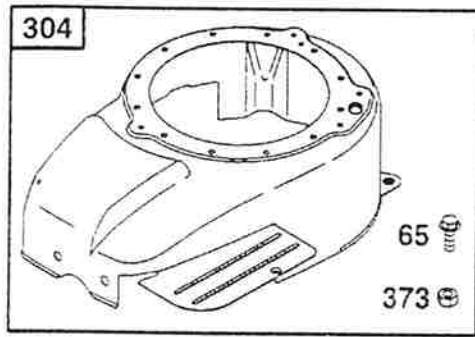
◆ Included in Carburetor Gasket Set-Part No. 692704.

Assemblies include all parts shown in frames.

ENGINE PARTS

CRAFTSMAN 2400 PSI HIGH PRESSURE WASHER 919.679240

BRIGGS ENGINE MODEL #120602-01350-E2



1036 LABEL KIT-EMISSION

| REF. NO. | PART NO. | DESCRIPTION | REF. NO. | PART NO. | DESCRIPTION | REF. NO. | PART NO. | DESCRIPTION |
|----------|----------|----------------|----------|----------|------------------|----------|----------|--------------------|
| 23 | 692693 | Flywheel | 333 | 802574 | Armature-Magneto | 455 | 225121 | Cup-Flywheel |
| 37 | 224511 | Guard-Flywheel | 334 | 94731 | Screw-Hex. | 851 | 493880 | Terminal-Cable |
| 65 | 94904 | Screw-Hex. | 356 | 497833 | Wire-Stop | 930 | 692675 | Guard-Rewind |
| 78 | 94744 | Screw-Hex. | 363 | 19069 | Flywheel Puller | 1005 | 281657 | Fan-Flywheel |
| 304 | 499676 | Housing-Blower | 373 | 94908 | Nut-Hex. | 1036 | 499343 | Label Kit-Emission |
| 332 | 94877 | Nut-Flywheel | | | | | | |

* Included in Gasket Set-Part No. 692702.

Δ Included in Valve Overhaul Kit-Part No. 692705.

● Included in Carburetor Kit-Part No. 692703

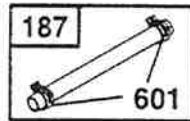
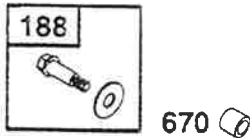
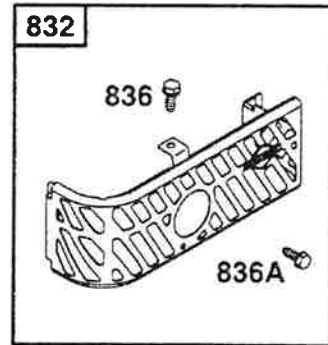
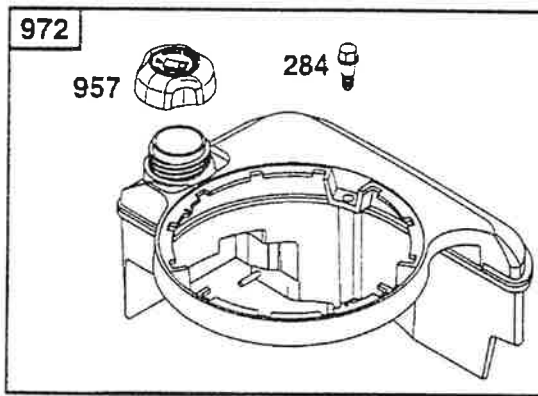
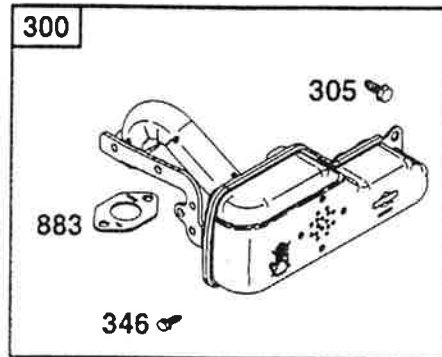
◆ Included in Carburetor Gasket Set-Part No. 692704.

Assemblies include all parts shown in frames.

ENGINE PARTS

CRAFTSMAN 2400 PSI HIGH PRESSURE WASHER 919.679240

BRIGGS ENGINE MODEL #120602-01350-E2



| REF. NO. | PART NO. | DESCRIPTION | REF. NO. | PART NO. | DESCRIPTION | REF. NO. | PART NO. | DESCRIPTION |
|----------|----------|-----------------|----------|----------|------------------|----------|----------|----------------|
| 187 | 298049 | Line-Fuel | 346 | 691140 | Screw-Hex. | 836A | 94874 | Screw-Hex. |
| 188 | 398540 | Screw-Shoulder | 601 | 93053 | Clamp-Hose | 883 | *Δ273348 | Gasket-Exhaust |
| 284 | 94511 | Screw-Shoulder | 670 | 280512 | Spacer-Fuel Tank | 957 | 498697 | Cap-Fuel Tank |
| 300 | 692275 | Muffler-Exhaust | 832 | 498736 | Guard-Muffler | 972 | 499618 | Tank-Fuel |
| 305 | 94744 | Screw-Hex. | 836 | 94786 | Screw-Hex. | | | |

★ Included in Gasket Set-Part No. 692702.
 Δ Included in Valve Overhaul Kit-Part No. 692705.

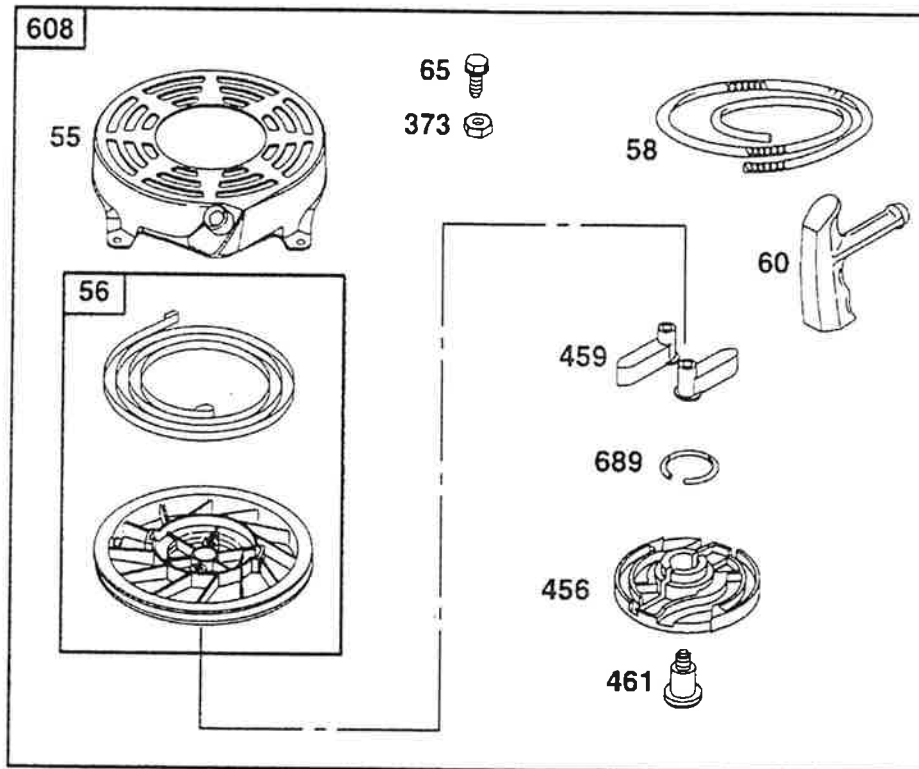
● Included in Carburetor Kit-Part No. 692703
 ◆ Included in Carburetor Gasket Set-Part No. 692704.

Assemblies include all parts shown in frames.

ENGINE PARTS

CRAFTSMAN 2400 PSI HIGH PRESSURE WASHER 919.679240

BRIGGS ENGINE MODEL #120602-01350-E2



| REF. NO. | PART NO. | DESCRIPTION | REF. NO. | PART NO. | DESCRIPTION | REF. NO. | PART NO. | DESCRIPTION |
|----------|----------|--|----------|----------|---------------------|----------|----------|-----------------|
| 55 | 497440 | Housing—Rewind Starter | 60 | 281434 | Grip—Starter Rope | 461 | 94943 | Screw—Shoulder |
| 56 | 263074 | Pulley—Starter | 65 | 94904 | Screw—Hex. | 608 | 497680 | Starter—Rewind |
| 58 | 280399 | Rope—Starter (Cut To Required Length) | 373 | 94908 | Nut—Hex. | 689 | 263073 | Spring—Friction |
| | | | 456 | 281503 | Retainer—Spring | | | |
| | | | 459 | 281505 | Plate—Paul Friction | | | |

* Included in Gasket Set—Part No. 692702.

Δ Included in Valve Overhaul Kit—Part No. 692705.

● Included in Carburetor Kit—Part No. 692703

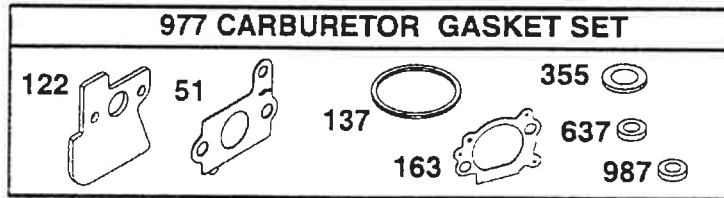
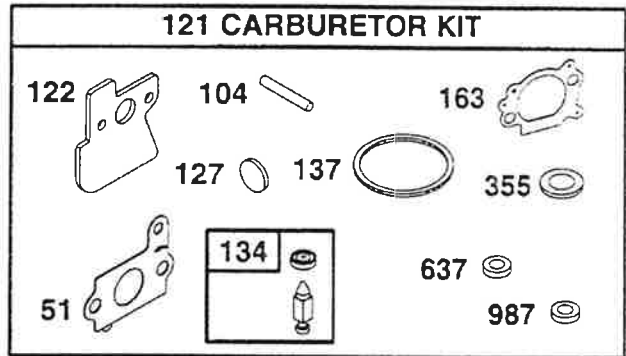
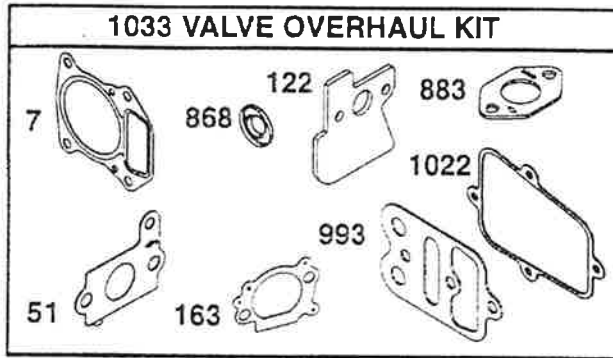
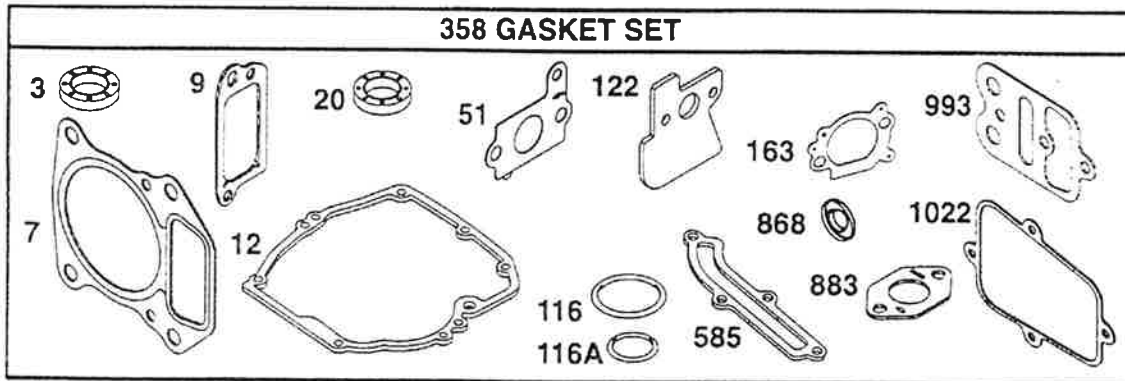
◆ Included in Carburetor Gasket Set—Part No. 692704.

Assemblies include all parts shown in frames.

ENGINE PARTS

CRAFTSMAN 2400 PSI HIGH PRESSURE WASHER 919.679240

BRIGGS ENGINE MODEL #120602-01350-E2



| REF. NO. | PART NO. | DESCRIPTION | REF. NO. | PART NO. | DESCRIPTION | REF. NO. | PART NO. | DESCRIPTION |
|----------|-----------|----------------------|----------|----------|----------------------------------|----------|----------|---------------------------|
| 3 | *299819 | Seal-Oil | 127 | • | Plug-Welch (Sold in Kit Only) | 637 | ◆◆693867 | Seal- Choke Shaft |
| 7 | *Δ273240 | Gasket-Cylinder Head | 134 | ◆398188 | Valve-Needle (Includes Seat) | 868 | *Δ498592 | Seal-Valve |
| 9 | *272481 | Gasket-Breather | 137 | ◆◆280492 | Gasket-Float Bowl | 883 | *Δ273348 | Gasket-Exhaust |
| 12 | *272198 | Gasket-Crankcase | 163 | ◆◆692667 | Gasket-Air Cleaner | 977 | 692704 | Gasket Set- Carburetor |
| 20 | *399781 | Seal-Oil | 355 | ◆◆271716 | Washer-Seal | 987 | ◆◆280566 | Seal-Throttle Shatt |
| 51 | ◆◆◆692668 | Gasket-Intake | 358 | 692702 | Gasket Set | 993 | *Δ273346 | Gasket-Plate |
| 104 | ◆231371 | Pin-Float Hinge | 585 | *272238 | Gasket-Breather Passage | 1022 | *Δ273241 | Gasket-Rocker Cover |
| 116 | *280393 | Seal-O-Ring | | | | 1033 | 692705 | Kit-Valve Overhaul |
| 116A | *280966 | Seal-O-Ring | | | | | | |
| 121 | 692703 | Carburetor Kit | | | | | | |
| 122 | ◆◆◆692799 | Spacer-Carburetor | | | | | | |

★ Included in Gasket Set-Part No. 692702.

Δ Included in Valve Overhaul Kit-Part No. 692705.

◆ Included in Carburetor Kit-Part No. 692703

◆◆ Included in Carburetor Gasket Set-Part No. 692704.

Assemblies include all parts shown in frames.

**Briggs & Stratton Corporation (B&S), the California Air Resources Board (CARB)
and the United States Environmental Protection Agency (U.S. EPA)**

Emission Control System Warranty Statement (Owner's Defect Warranty Rights and Obligations)

In the interest of the environment, B&S engines that meet strict emission requirements are labeled, "This engine conforms to 1995 - 1998 California emission regulations for ULGE engines and U.S. EPA Phase I regulations for small non-road engines."

EMISSION CONTROL WARRANTY COVERAGE IS APPLICABLE

California and United States Emission Control Defects Warranty Statement

CARB, U.S. EPA and B&S are pleased to explain the Emission Control System Warranty on your 1996 and later utility or lawn and garden equipment (ULGE) engine. In California, new ULGE engines produced on or after August 1, 1995 must be designed, built and equipped to meet the State's stringent anti-smog standards. Elsewhere in the United States, new non-road, spark-ignition engines certified for model year 1997 and later, must meet similar standards set forth by the U.S. EPA. B&S must warrant the emission control system on your engine for the periods of time listed below, provided

ULGE engines are warranted relative to emission control parts defects for a period of two years, subject to provisions set forth

As the ULGE engine owner, you are responsible for the performance of the required maintenance listed in your Operator/Owner Manual. B&S recommends that you retain all your receipts covering maintenance on your ULGE engine, but B&S cannot deny warranty solely for the lack of receipts or for your failure to ensure the performance of all scheduled maintenance.

As the ULGE engine owner, you should however be aware that B&S may deny you warranty coverage if your ULGE engine or a part has failed due to abuse, neglect, improper maintenance or unapproved modifications.

Briggs & Stratton Emission Control Defects Warranty Provisions

The following are specific provisions relative to your Emission Control Defects Warranty Coverage. It is in addition to the B&S engine warranty non-regulated engines found in the Operator/Owner Manual.

1. Warranted Parts

Coverage under this warranty extends only to the parts listed below (the emission control systems parts) to the extent these parts were present on the engine purchased.

- a. Fuel Metering System
 - Cold start enrichment system (soft choke)
 - Carburetor and internal parts
 - Fuel Pump
- b. Air Induction System
 - Air cleaner
 - Intake manifold
- c. Ignition System
 - Spark plug(s)
 - Magneto ignition system
- d. Catalyst System
 - Catalytic converter
 - Exhaust manifold
 - Air injection system or pulse valve
- e. Miscellaneous Items Used in Above Systems
 - Vacuum, temperature, position, time sensitive valves and switches
 - Connectors and assemblies

2. Length of Coverage

B&S warrants to the initial owner and each subsequent purchaser that the Warranted Parts shall be free from defects in materials and workmanship which caused the failure of the Warranted Parts for a period of two years from the date the engine is delivered to a retail purchaser.

TO CERTIFIED ENGINES PURCHASED IN CALIFORNIA IN 1995 AND THEREAFTER, WHICH ARE USED IN CALIFORNIA, AND TO CERTIFIED MODEL YEAR 1997 AND LATER ENGINES WHICH ARE PURCHASED AND USED ELSEWHERE IN THE UNITED STATES.

there has been no abuse, neglect or improper maintenance of your ULGE engine.

Your emission control system includes parts such as the carburetor, air cleaner, ignition system, muffler and catalytic converter. Also included may be connectors and other emission related assemblies.

Where a warrantable condition exists, B&S will repair your ULGE engine at no cost to you including diagnosis, parts and labor.

Briggs & Stratton Emission Control Defects Warranty Coverage

below. If any covered part on your engine is defective, the part will be repaired or replaced by B&S.

Owner's Warranty Responsibilities

You are responsible for presenting your ULGE engine to an Authorized B&S Service Dealer as soon as a problem exists. The undisputed warranty repairs should be completed in a reasonable amount of time, not to exceed 30 days.

If you have any questions regarding your warranty rights and responsibilities, you should contact a B&S Service Representative at 1-414-259-5262.

The emission warranty is a defects warranty. Defects are judged on normal engine performance. The warranty is not related to an in-use emission test.

3. No Charge

Repair or replacement of any Warranted Part will be performed at no charge to the owner, including diagnostic labor which leads to the determination that a Warranted Part is defective, if the diagnostic work is performed at an Authorized B&S Service Dealer. For emissions warranty service contact your nearest Authorized B&S Service Dealer as listed in the "Yellow Pages" under "Engines, Gasoline," "Gasoline Engines," "Lawn Mowers," or similar category.

4. Claims and Coverage Exclusions

Warranty claims shall be filed in accordance with the provisions of the B&S Engine Warranty Policy. Warranty coverage shall be excluded for failures of Warranted Parts which are not original B&S parts or because of abuse, neglect or improper maintenance as set forth in the B&S Engine Warranty Policy. B&S is not liable to cover failures of Warranted Parts caused by the use of add-on, non-original, or modified parts.

5. Maintenance

Any Warranted Part which is not scheduled for replacement as required maintenance or which is scheduled only for regular inspection to the effect of "repair or replace as necessary" shall be warranted as to defects for the warranty period. Any Warranted Part which is scheduled for replacement as required maintenance shall be warranted as to defects only for the period of time up to the first scheduled replacement for that part. Any replacement part that is equivalent in performance and durability may be used in the performance of any maintenance or repairs. The owner is responsible for the performance of all required maintenance, as defined in the B&S Operator/Owner Manual.

6. Consequential Coverage

Coverage hereunder shall extend to the failure of any engine components caused by the failure of any Warranted Part still under warranty.

Briggs & Stratton welcomes warranty repair and apologizes to you for being inconvenienced. Any Authorized Service Dealer may perform warranty repairs. Most warranty repairs are handled routinely, but sometimes requests for warranty service may not be appropriate. For example, warranty would not apply if engine damage occurred because of misuse, lack of routine maintenance, shipping, handling, warehousing or improper installation. Similarly, warranty is void if the serial number of the engine has been removed or the engine has been altered or modified.

If a customer differs with the decision of the Service-Dealer, an investigation will be made to determine whether the warranty applies. Ask the Service Dealer to submit all supporting facts to his Distributor or the Factory for review. If the Distributor or the Factory decides that the claim is justified, the customer will be fully reimbursed for those items that are defective. To avoid misunderstanding which might occur between the customer and the Dealer, listed below are some of the causes of engine failure that the warranty does not cover.

Improper maintenance:

The life of an engine depends upon the conditions under which it operates, and the care it receives. Some applications, such as tillers, pumps and rotary mowers, are very often used in dusty or dirty conditions, which can cause what appears to be premature wear. Such wear, when caused by dirt, dust, spark plug cleaning grit, or other abrasive material that has entered the engine because of improper maintenance, is not covered by warranty.

This warranty covers engine related defective material and/or workmanship only, and not replacement or refund of the equipment to which the engine may be mounted. Nor does the warranty extend to repairs required because of:

1. PROBLEMS CAUSED BY PARTS THAT ARE NOT ORIGINAL BRIGGS & STRATTON PARTS.
2. Equipment controls or installations that prevent starting, cause unsatisfactory engine performance, or shorten engine life. (Contact equipment manufacturer.)
3. Leaking carburetors, clogged fuel pipes, sticking valves, or other damage, caused by using contaminated or stale fuel. (Use clean, fresh, lead-free gasoline and Briggs & Stratton gasoline stabilizer, Part No. 5041.)

4. Parts which are scored or broken because an engine was operated with insufficient or contaminated lubricating oil, or an incorrect grade of lubricating oil (check oil level daily or after every 8 hours of operation. Refill when necessary and change at recommended intervals.) Read "Owner's Manual."
5. Repair or adjustment of associated parts or assemblies such as clutches, transmissions, remote controls, etc., which are not manufactured by Briggs & Stratton.
6. Damage or wear to parts caused by dirt, which entered the engine because of improper air cleaner maintenance, re-assembly, or use of a non-original air cleaner element or cartridge. (At recommended intervals, clean and re-oil the Oil-Foam® element or the foam pre-cleaner, and replace the cartridge.) Read "Owner's Manual."
7. Parts damaged by overspeeding, or overheating caused by grass, debris, or dirt, which plugs or clogs the cooling fins, or flywheel area, or damage caused by operating the engine in a confined area without sufficient ventilation. (Clean fins on the cylinder, cylinder head and flywheel at recommended intervals.) Read "Owner's Manual."
8. Engine or equipment parts broken by excessive vibration caused by a loose engine mounting, loose cutter blades, unbalanced blades or loose or unbalanced impellers, improper attachment of equipment to engine crankshaft, overspeeding or other abuse in operation.
9. A bent or broken crankshaft, caused by striking a solid object with the cutter blade of a rotary lawn mower, or excessive v-belt tightness.
10. Routine tune-up or adjustment of the engine.
11. Engine or engine component failure, i.e., combustion chamber, valves, valve seats, valve guides, or burned starter motor windings, caused by the use of alternate fuels such as, liquified petroleum, natural gas, altered gasolines, etc.

SEARS

CRAFTSMAN

**MODEL NO.
919.679240**

SERVICE

**HOW TO ORDER
REPAIR PARTS**

OWNER'S MANUAL

The model number of your Sears Air Compressor can be found on the maintenance label on the top of the shroud or on the bar code label on the rear of the air tank.

SERVICE AND REPAIR PARTS CALL 1-800-665-4455*

Keep this number handy should you require a service call or need to order repair parts.

If ordering parts make sure you have the name, make and model no. of the merchandise and the name and number of the part you wish to order.

***If calling locally, please use one of the following numbers:**

| | |
|----------------------|-------------------|
| Regina-566-5124 | Montreal-333-5740 |
| Toronto-744-4900 | Halifax -454-2444 |
| Kitchener-894-7590 | Ottawa-738-4440 |
| Vancouver - 420-8211 | |

WHEN ORDERING REPAIR PARTS, ALWAYS GIVE THE FOLLOWING INFORMATION:

- PART NUMBER
- PART DESCRIPTION
- MODEL NUMBER
- NAME OF ITEM

All parts listed may be ordered from any Sears Service Center and most Sears stores.

If the parts you need are not stocked locally, your order will be electronically transmitted to a Sears Repair Parts Distribution Center for handling.

Sold By Sears Canada, Inc., Toronto, Ont. M5B 2B8

Free Manuals Download Website

<http://myh66.com>

<http://usermanuals.us>

<http://www.somanuals.com>

<http://www.4manuals.cc>

<http://www.manual-lib.com>

<http://www.404manual.com>

<http://www.luxmanual.com>

<http://aubethermostatmanual.com>

Golf course search by state

<http://golfingnear.com>

Email search by domain

<http://emailbydomain.com>

Auto manuals search

<http://auto.somanuals.com>

TV manuals search

<http://tv.somanuals.com>