

OWNER'S MANUAL

CRAFTSMAN®

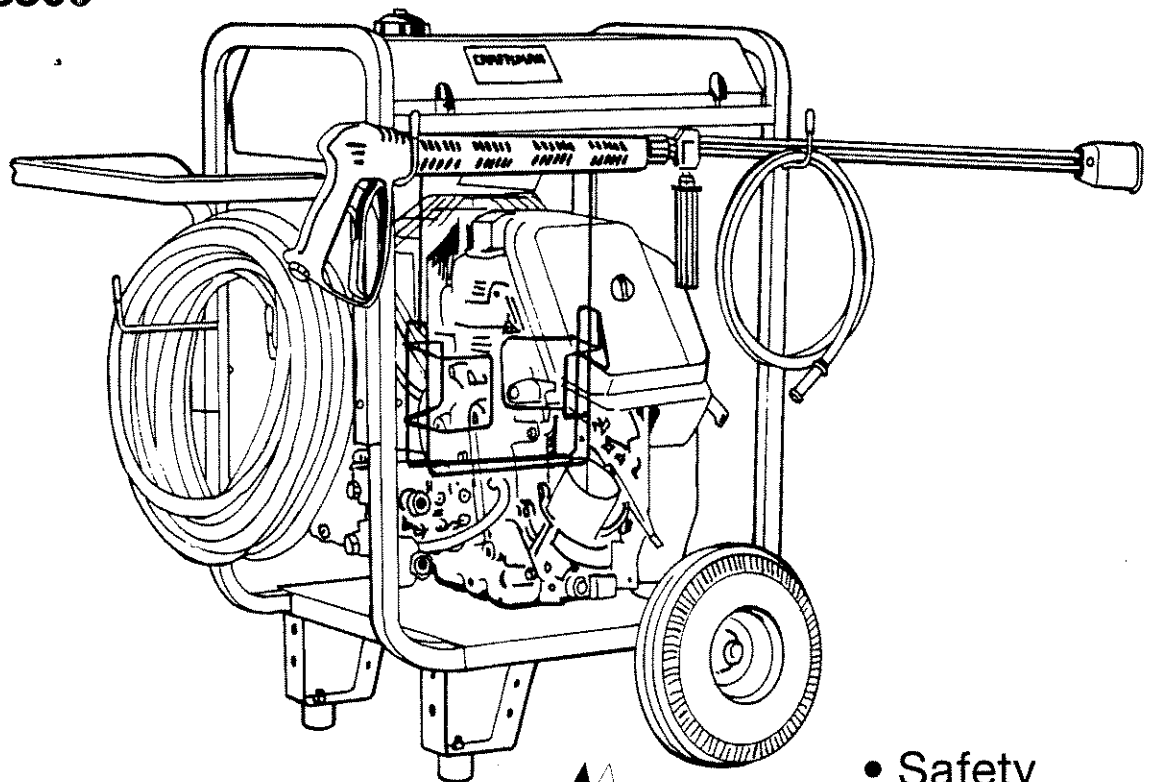
13.0 Horsepower

3500 PSI 3 GPM

High Pressure Washer

Model No:

919.763500



WARNING: Before using this product, read this manual and follow all Safety Rules and Operating Instructions.

**PRESSURE WASHER
CUSTOMER
HELPLINE
1-800-245-5873**

- Safety
- Assembly
- Operation
- Maintenance
- Parts List
- Español

Sears, Roebuck and Co., Hoffman Estates, IL 60179 U.S.A.

TABLE OF CONTENTS

Warranty	2	Service and Adjustments	14
Safety Guidelines	3-5	Storage	14
Assembly	5-6	Troubleshooting	15
Operation	7-10	Parts	16
Maintenance	11-13	How to Order Parts	Back Cover
		Español	

LIMITED ONE YEAR WARRANTY ON CRAFTSMAN HIGH PRESSURE WASHER

For one year from the date of purchase, when this Craftsman High Pressure Washer is maintained and operated according to the instructions in the owner's manual, Sears will repair, free of charge, any defect in material and workmanship.

If your Craftsman Pressure Washer is used for commercial or rental purposes, this warranty applies only for 90 days from the date of purchase.

LIMITED ONE YEAR WARRANTY ON CRAFTSMAN ENGINE

For one year from the date of purchase, when this Craftsman engine is maintained and operated according to the instructions in the owner's manual, Sears will repair, free of charge, any defect in material and workmanship.

If your Craftsman engine is used for commercial or rental purposes, this warranty applies only for 90 days from the date of purchase. This warranty does not cover: Expendable items such as spark plugs and air filters, which become worn during normal use.

Repairs necessary because of operator abuse or negligence, including damage resulting from no water being supplied to pump or failure to maintain the equipment according to the instructions contained in the owner's manual, are not covered under warranty.

WARRANTY SERVICE IS AVAILABLE BY RETURNING THE HIGH PRESSURE WASHER TO THE NEAREST SEARS SERVICE CENTER/DEPARTMENT THROUGHOUT THE UNITED STATES.

This, warranty gives you specific legal rights and you may also have other rights, which vary from state to state.

Sears, Roebuck and Co., D/817 WA, Hoffman Estates, IL 60179

SAFETY GUIDELINES - DEFINITIONS

This manual contains information that is important for you to know and understand. This information relates to protecting **YOUR SAFETY** and **PREVENTING EQUIPMENT PROBLEMS**. To help you recognize this information, we use the symbols below. Please read the manual and pay attention to these sections. **SAVE THESE DEFINITIONS/INSTRUCTIONS.**

▲ WARNING indicates a potentially hazardous situation which, if not avoided, **could** result in **death or serious injury**.

▲ DANGER indicates an imminently hazardous situation which, if not avoided, **will** result in **death or serious injury**.





▲ CAUTION indicates a potentially hazardous situation which, if not avoided, **may** result in **minor or moderate injury**.

10/2/97

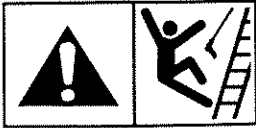




IMPORTANT SAFETY INSTRUCTIONS

▲ WARNING









Improper operation or maintenance of this product could result in serious injury and property damage. Read and understand all warnings and operating instructions before using.

HAZARD	WHAT CAN HAPPEN	HOW TO PREVENT IT
<div style="text-align: center;">  <p>DANGER</p> <p>RISK OF EXPLOSION OR FIRE</p>  </div>	<ul style="list-style-type: none"> • Spilled gasoline and its vapors can become ignited from cigarette sparks, electrical arcing, exhaust gases, and hot engine components such as the muffler. • Heat will expand fuel in the tank which could result in spillage and possible fire explosion. • Operating the pressure washer in an explosive environment could result in a fire. • Materials placed against or near the pressure washer can interfere with its proper ventilation features causing overheating and possible ignition of the materials. • Improperly stored fuel could lead to accidental ignition. Fuel improperly secured could get into the hands of children or other unqualified persons. 	<ul style="list-style-type: none"> • Shut off engine and allow it to cool before adding fuel to the tank. • Use care in filling tank to avoid spilling fuel. Move pressure washer away from fueling area before starting engine. • Keep maximum fuel level ½" below top of tank to allow for expansion. • Operate and fuel equipment in well ventilated areas free from obstructions. Equip areas with fire extinguishers suitable for gasoline fires. • Never operate pressure washer in an area containing dry brush or weeds. • Store fuel in container approved for gasoline, in a secure location away from work area.
<div style="text-align: center;">  <p>DANGER</p> <p>RISK TO BREATHING</p>  </div>	<ul style="list-style-type: none"> • Breathing exhaust fumes will cause serious injury or death. • Some cleaning fluids contain substances which could cause injury to skin, eyes, or lungs. 	<ul style="list-style-type: none"> • Operate pressure washer in a well ventilated area. Avoid enclosed areas such as garages, basements, etc. • Never operate unit in a location occupied by humans or animals. • Use only cleaning fluids specifically recommended for high pressure washers. Follow manufacturers recommendations.

IMPORTANT SAFETY INSTRUCTIONS (cont'd)

HAZARD	WHAT CAN HAPPEN	HOW TO PREVENT IT
<p style="text-align: center;">⚠ WARNING RISK OF UNSAFE OPERATION</p> 	<ul style="list-style-type: none"> • Unsafe operation of your pressure washer could lead to serious injury or death to you or others. • The spray gun/wand is a powerful cleaning tool that could look like a toy to a child. • Reactive force of spray will cause gun/wand to move, and could cause the operator to slip or fall, or misdirect the spray. Improper control of gun/wand can result in injuries to self and others. 	<ul style="list-style-type: none"> • Become familiar with the operation and controls of the pressure washer. • Keep children away from the pressure washer at all times. • Never defeat the safety features of this product. • Do not operate machine with missing, broken, or unauthorized parts. • Never leave wand unattended while unit is running. • Keep work area free of obstacles. • Stand on a stable surface and grip gun/wand firmly. Expect the gun to kick when triggered.
<p style="text-align: center;">⚠ WARNING RISK OF INJURY FROM SPRAY</p> 	<ul style="list-style-type: none"> • High velocity fluid spray can cause objects to break, propelling particles at high speed. • Light or unsecured objects can become hazardous projectiles. 	<ul style="list-style-type: none"> • Always wear ANSI approved Z87 safety glasses. Wear protective clothing to protect against accidental spraying. • Never point wand at, or spray people or animals. • Always secure trigger lock when wand is not in service to prevent accidental operation. • Never permanently secure trigger in pull back (open) position.
<p style="text-align: center;">⚠ WARNING RISK OF ELECTRICAL SHOCK</p> 	<ul style="list-style-type: none"> • Spray directed at electrical outlets or switches, or objects connected to an electrical circuit, could result in a fatal electrical shock. 	<ul style="list-style-type: none"> • Unplug any electrically operated product before attempting to clean it. Direct spray away from electric outlets and switches.
<p style="text-align: center;">⚠ WARNING RISK OF FLUID INJECTION</p> 	<ul style="list-style-type: none"> • Your washer operates at fluid pressures and velocities high enough to penetrate human and animal flesh, which could result in amputation or other serious injury. Leaks caused by loose fittings or worn or damaged hoses can result in injection injuries. DO NOT TREAT FLUID INJECTION AS A SIMPLE CUT! See a physician immediately! • Relieve system pressure before attempting maintenance or disassembly of equipment. 	<ul style="list-style-type: none"> • Never place hands in front of nozzle. • Direct spray away from self and others. • Make sure hose and fittings are tightened and in good condition. Never hold onto the hose or fittings during operation. • Do not allow hose to contact muffler. • Never attach or remove wand or hose fittings while system is pressurized. • Use only hose and high pressure accessories rated for 2000 PSI service. • To relieve system pressure, shut off engine, turn off water supply, and pull gun trigger until water stops flowing.
<p style="text-align: center;">⚠ WARNING RISK OF CHEMICAL BURN</p> 	<ul style="list-style-type: none"> • Use of acids, toxic or corrosive chemicals, poisons, insecticides, or any kind of flammable solvent with this product could result in serious injury or death. 	<ul style="list-style-type: none"> • Do not use acids, gasoline, kerosene, or any other flammable materials in this product. Use only household detergents, cleaners and degreasers recommended for use in pressure washers. • Wear protective clothing to protect eyes and skin from contact with sprayed materials.

IMPORTANT SAFETY INSTRUCTIONS (cont'd)

HAZARD	WHAT CAN HAPPEN	HOW TO PREVENT IT
<p>⚠ WARNING RISK OF HOT SURFACES</p> 	<ul style="list-style-type: none"> Contact with hot surfaces, such as engines exhaust components, could result in serious burn. 	<ul style="list-style-type: none"> During operation, touch only the control surfaces of the pressure washer. Keep children away from the pressure washer at all times. They may not be able to recognize the hazards of this product.
<p>International Symbols</p>	  <p>Safety Alert - Read Owner's Manual</p>	 On Off  Stop  Fuel Shutoff  Fuel  Choke

IMPORTANT:

The powerful spray from your pressure washer is capable of causing damage to fragile surfaces such as: wood, glass, automobile paint, auto stripping and trim, and delicate objects such as flowers and shrubs. Before spraying, check the item to be cleaned to assure yourself that it is robust enough to resist damage from the force of the spray. Avoid the use of the concentrated spray stream except for very strong surfaces like concrete and steel.

Operating unit with water supply shut off without flow of water will result in equipment damage. You should never run this pressure washer for more than 2 minutes without pulling the trigger to allow cool water to enter the pump and the heated (recirculated) water to exit. Running the pressure washer with water supply shut off will void your warranty.

ASSEMBLY

Carton Contents

- Main Unit pressure washer with wheels
- Handle
- High Pressure Hose
- Chemical Pickup Hose and Filter
- Bag Containing
 - Video Cassette
 - Owners' Manual
 - Nozzle Cleaning Kit and Replacement O-Rings
 - Rubber Isolator and Mounting Hardware
- Box Containing
 - Gun
 - Wand
 - Engine Oil
 - Handle Mounting Hardware
- Chemical Basket

Tools Required for Assembly

Adjustable wrench

1/2" Socket wrench

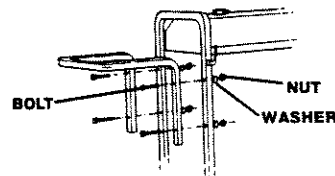
Remove Pressure Washer from Carton

- Open box from the top. Locate and remove from box, the parts box, which includes gun, handle, wand, oil, nuts bolts and washers for handle installation.
- Cut carton along dotted lines.
- Remove all carton inserts.
- Roll unit through opening in carton.

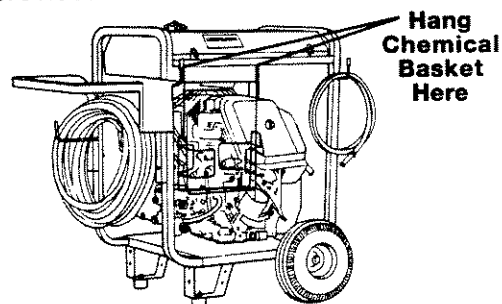
NOTE: The hose is located at the bottom of the box.

Preparing the Pressure Washer for First Use

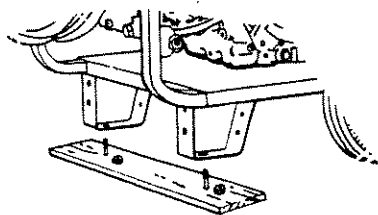
- Note:** Included with your pressure washer is a video tape on how to prepare your unit for operation. It is recommended you view this tape before performing the next steps.
- Place handle on frame.
 - Insert bolts into holes provided in handle.
 - Line up handle and bolts with the holes provided on frame.
 - Insert bolts through holes in frame.
 - Place washers and over inserted bolts. Next place nuts over bolts and tighten with adjustable wrench turning in clockwise direction.



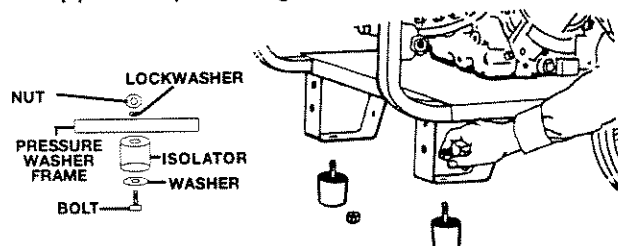
- Attach chemical basket to the pressure washer frame opposite side of muffler. Holes are provided on frame.



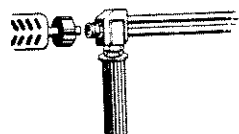
- Remove wood plank from the frame of the unit. An adjustable wrench is required. Discard bolt and board.



- Mount the rubber isolator to the frame. To mount isolator place threaded end of bolt through the washer. Next with washer on bolt place threaded end of bolt through the rubber isolator. Place threaded portion of bolt through the same hole location the wood plank was mounted to on the pressure washer. Next place lockwasher over threaded portion of bolt that has been placed through the mounting hole in the pressure washer and use nut to tighten isolator to the frame. Tighten nut with an adjustable wrench. All isolator parts are supplied in parts bag.

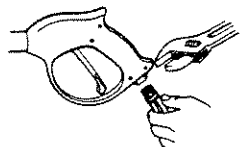


- Connect wand with nozzle extension to gun. To tighten, turn knob in clockwise direction. Hand tighten.

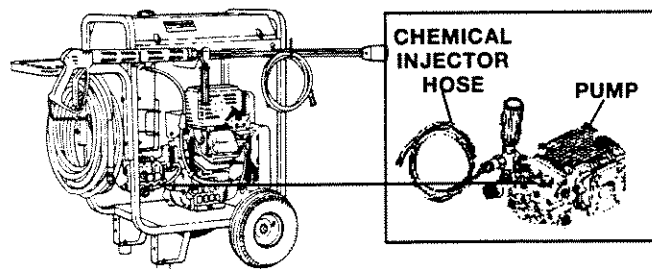


- Cut tie wrap off of high pressure hose. Unwind high pressure hose to attach the threaded end to the gun using two adjustable wrenches.

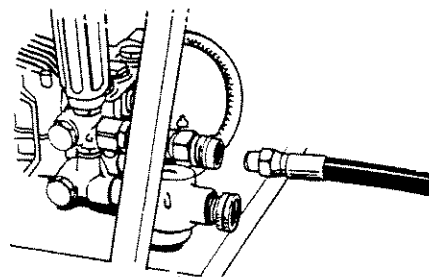
NOTE: Do not remove Teflon tape on threads.



- Connect chemical hose to the chemical injector nipple on the pump.

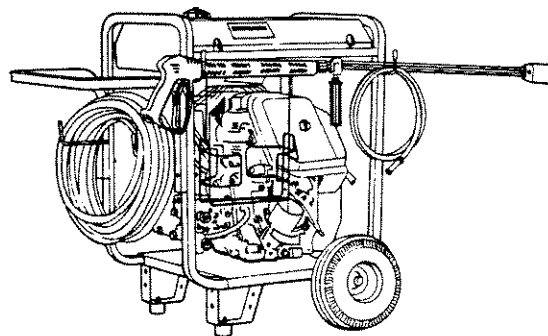


- Connect high pressure hose to the quick connect outlet on pressure washer.

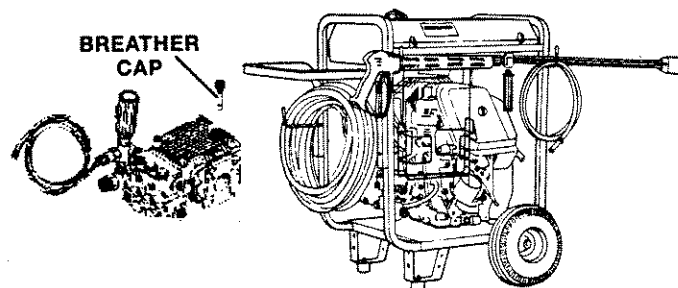


NOTE: Keep hose away from engine muffler.

- Place assembled gun and wand on pressure washer holder.



NOTE: Your unit's pump is shipped with a temporary plug that must be replaced with a breather cap. This plug is located over the pump's oil port. Unscrew and remove this plug and discard. Remove the breather cap from the bag attached to the plug and install it in the pump's oil port.



▲ CAUTION: Failure to replace the plug will result in serious pump damage.

Checklist

Before going any further please review the following:

- Be sure you have completed assembly instruction.
- Double check all fittings to be sure they are tight.

IMPORTANT: Before any attempt to start your pressure washer be sure to check engine oil (See Operation under Adding Engine Oil.)

OPERATION

Know Your High Pressure Washer

Read this Owner's Manual and Safety Rules before operation of your High Pressure Washer Compare this illustration with our pressure washer to familiarize yourself with the location of various controls and adjustments. Save this manual for future reference.

PUMP- Develops high pressure.

OIL FILL- Place where engine oil is poured.

PRESSURE REGULATOR- Allows you to adjust the pressure of the outlet stream.

ENGINE RUN/STOP SWITCH- Sets engine in starting mode for recoil starter — **Stops** running engine.

RECOIL STARTER- Used for starting the engine manually.

SPRAY GUN ASSEMBLY- Controls the application of water onto cleaning surface with trigger device.

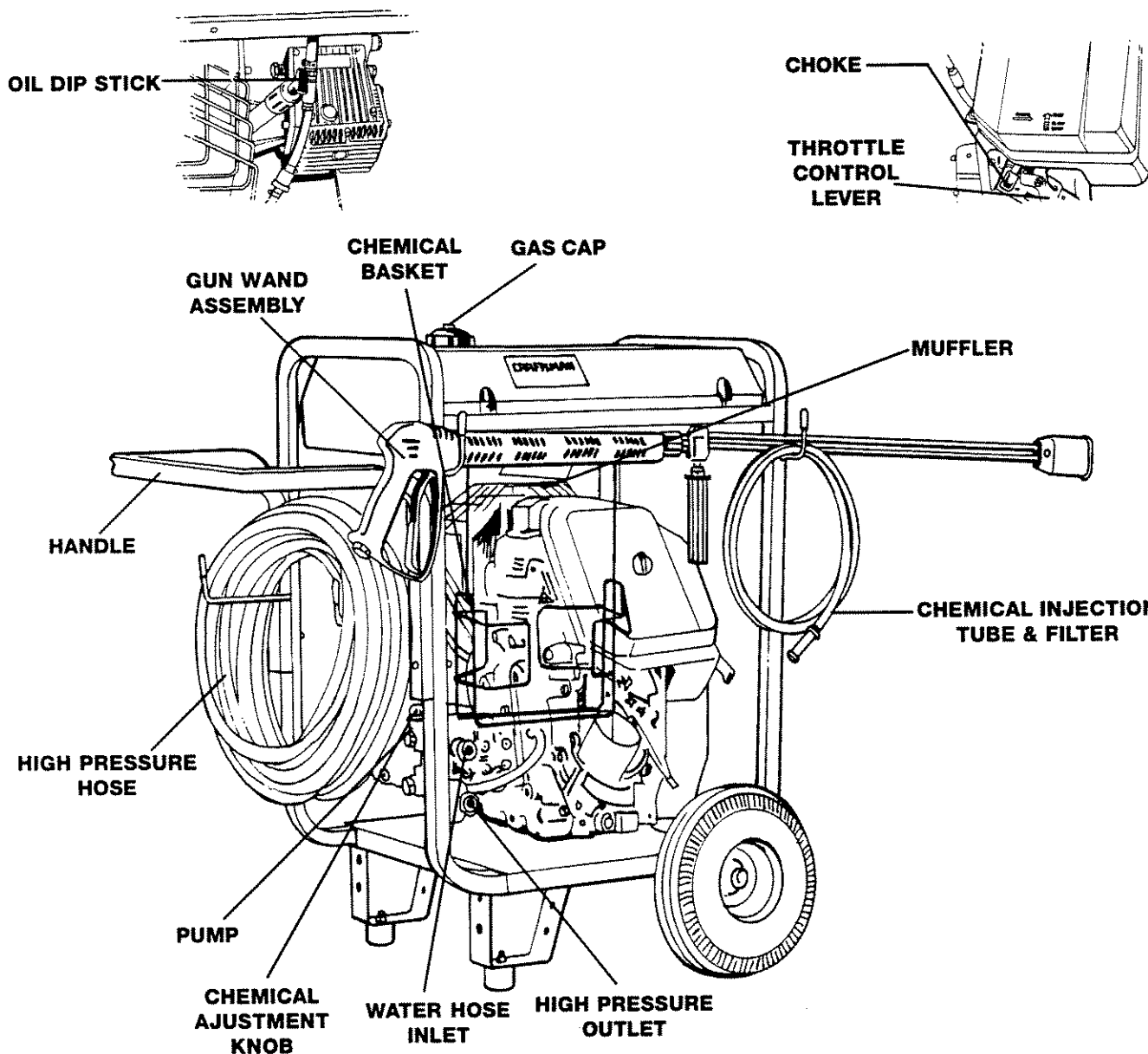
PUMP OIL FILL- Port where pump oil is poured and breather cap is located.

GAS TANK/CAP- Cap is removed and unleaded gasoline is poured.

CHEMICAL INJECTION TUBE AND FILTER- Mixes water and detergent in outlet water flow.

HIGH PRESSURE OUTLET- Connection for high pressure hose.

CHOKE- Lever used for starting unit.



▲ Warning: Read Owner's Manual. Do not attempt to operate equipment until you have read Owners Manual for Safety, Operation, and Maintenance Instructions.

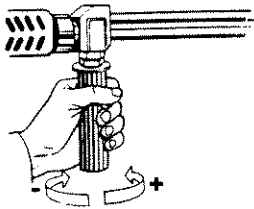
Note: Included with your unit is a video cassette that demonstrates how to operate your pressure washer. If you have a video cassette recorder you should view the video before operation.

▲ Warning: Never adjust spray pattern when spraying. Never put hands in front of spray nozzle to adjust spray pattern because you could be injured.

How To Use Your Pressure Washer

On the end of your spray gun is a handle that you can twist from side to side. With this handle you can adjust the spray pattern to either high pressure or low pressure.

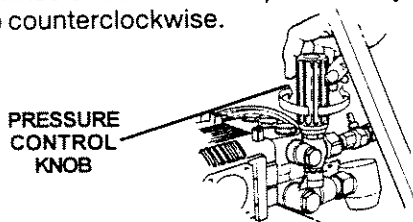
- Twist the handle in a clockwise direction to achieve low pressure. Twist handle counterclockwise for high pressure.



- For most effective cleaning, keep spray nozzle between 8 and 24 inches of cleaning surface.

IMPORTANT: If you get spray nozzle too close, especially on high pressure, you may damage the cleaning surface.

- The pressure control knob is located on the pump. You can increase the pressure by turning the knob clockwise or decrease the pressure by turning the knob counterclockwise.



NOTE: The maximum pressure for the unit is factory adjusted. Do not attempt to adjust beyond this factory setting.

Using Soaps/Chemicals

IMPORTANT: Use soaps and chemicals that are designed specifically for use with pressure washers. To apply soap/chemicals follow these steps:

- Prepare the soap/chemical as required by your job.
- Insert soap/chemical line into your container (soap/chemicals not included).

- Prepare the soap/chemical as required by your job.
- Insert soap/chemical line into your container (soap/chemicals not included).

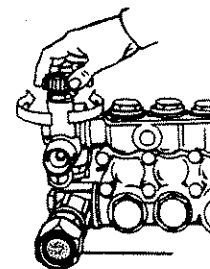


NOTE: The first step involves applying an appropriate soap/chemical solution to penetrate and loosen grime. The soap/chemical applied at low pressure to avoid splashing, over spray and waste. Leave the solution on surface for 3 to 5 minutes to allow solution to work.

NOTE: The second step involves cleaning the surface you have prepared with the pressure washer and then rinsing it clean.

- Turn the adjustable nozzle counter clockwise to low pressure mode. Soap/chemicals cannot be applied with nozzle in high pressure position.
- Review the use of the adjustable nozzle.
- Connect garden hose to water inlet (see "To Start Your Pressure Washer"), check that high pressure hose is connected to spray gun and pump (see *Assembly*), and start engine.
- Apply soap/chemicals to dry surface, starting from the bottom and working up.
- Allow the soap/chemicals to soak in between 3-5 minutes before washing and rinsing.
- For cleaning, start at lower portion of area to be washed and work upward, using long, even overlapping strokes.

Your pressure washer is equipped with a chemical injector adjustment knob. With the knob fully opened you will get a 7 to 1 water to chemical ratio. With knob fully closed you will get **no** chemical draw. Turn knob in counterclockwise direction to achieve more chemical draw and clockwise for less chemical draw.

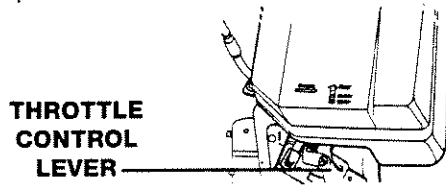


- After using the pressure washer, it is recommended the pump, chemical injector and chemical line be flushed with clear water. To do so, simply place chemical injector hose in water and siphon for 1 to 2 minutes.

Stopping Your Pressure Washer

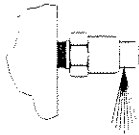
▲ CAUTION: Do not run pump without the water supply connected and turned on. Failure to do so will result in pump damage.

- To turn pressure washer off place the throttle control to the off position.



- Simply shutting OFF engine will not release pressure in the system. Squeeze the trigger on the spray gun for about 3 seconds to relieve pressure. Spray stream will decrease in length.

IMPORTANT: This unit is equipped with a thermal relief valve. If unit is allowed to run for several minutes without pressing the trigger on the spray gun, several drops of water may be released through this valve to cool the unit. This small amount of water will drip from the bottom of the pump.



BEFORE STARTING THE ENGINE

To operate the engine you will need to do the following.

▲ CAUTION: Always check engine oil level before every start. Running engine low of oil or out of oil could result in serious damage.

▲ CAUTION: Always check pump oil level before every start. Running pump low on oil could result in pump damage.

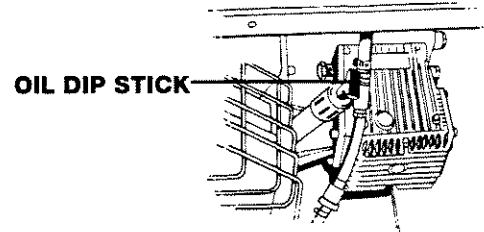
Adding Pump Oil

Before running the high pressure washer, check the pump oil level by viewing the sight glass on the side of the pump. When properly filled, the oil will be at the half way point marked by the two triangles. Your pressure washer pump is shipped with oil. Add only if oil level is lower than the half way point on the sight glass. **Do not overfill.** Use 30 weight non-detergent oil if necessary.

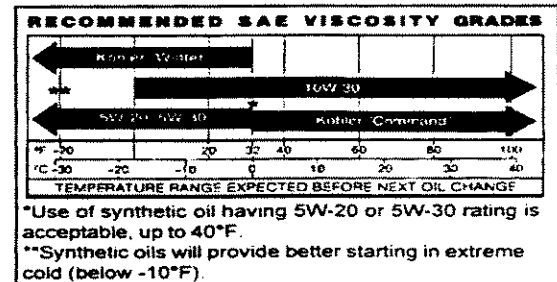
▲ CAUTION: Do Not use engine oil that has been shipped with your unit in your pump. Engine oil is detergent and your pump uses a non-detergent oil. Detergent oil can cause damage to your pump.

Engine Oil

Your unit has been shipped without oil in the engine. A bottle of 10W-30 weight oil is included in the carton. Remove oil dip stick located on the side of engine. The oil dip stick is clearly marked with a lines that tells you when unit has enough oil. Do not fill above this point. Pour slowly.



NOTE: When adding oil to the engine crankcase, use a high quality detergent oil classified "For Service SG or SH rated 10W-30 weight. Use no special additives. Select the oil's viscosity grade according to you expected operating temperatures.



Gasoline

Your pressure washer engine is 4 cycle. Use unleaded fuel only.

▲ CAUTION: Do not overfill the fuel tank. Always allow room for fuel expansion.

▲ WARNING: Never fill fuel tank indoors. Never fill fuel tank when engine is running or hot. Do not smoke or have open flame when filling fuel tank.

For best results use only clean, fresh **unleaded** gasoline with a pump sticker octane rating of 87 or higher. In countries using the Research method, it should be 90 octane minimum.

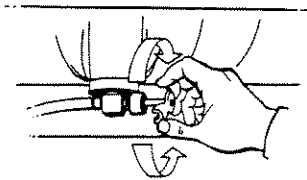
Unleaded gasoline is recommended as it leaves less combustion chamber deposits. Leaded gasoline may be used in areas where unleaded is not available and exhaust emissions are not regulated. Be aware however, that the cylinder head will require more frequent service.

IMPORTANT: It is important to prevent gum deposits from forming in essential fuel system parts such as the carburetor, fuel filter hose or tank during storage. Also, experience indicates that alcohol-blended fuels (called gasohol or using ethanol or methanol) can attract moisture which leads to separation and formation of acids during storage. Acidic gas can damage the fuel system of an engine while in storage. To avoid engine problems, the fuel system should be emptied before storage of 30 days or longer. Never use engine or carburetor cleaner products in the fuel tank or permanent damage may occur.

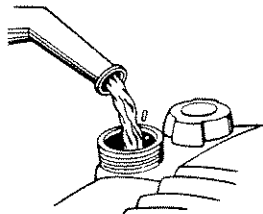
NOTE: Never start pressure washer with out water source turned on and connected to pressure washer.

To Start Your Pressure Washer

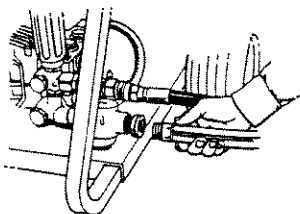
Make sure fuel shutoff valve is turned to the open position. Turn counter clockwise to open shutoff valve located under the fuel tank.



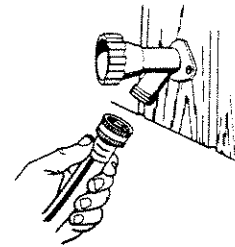
- Remove gas cap
- Add unleaded gasoline, slowly, to fuel tank.
- Do not overfill.



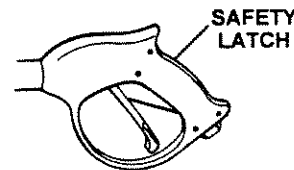
- Connect garden hose to the water inlet on the pressure washer. Tighten by turning water inlet counterclockwise.



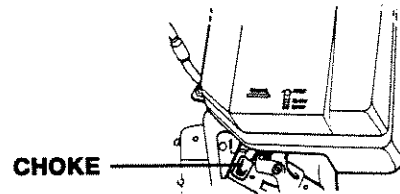
- Connect high pressure hose to discharge on pump.
- Connect the garden hose to the water spout and turn water supply on.



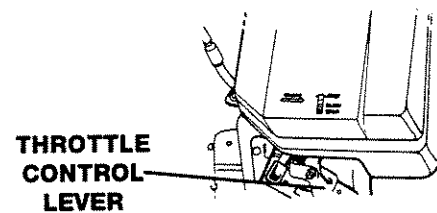
- Squeeze trigger on pressure washer wand to relieve air pressure caused by turning on the water. Water will spew out of the gun in a thin stream. This will make it easier to start the engine.
- Engage the safety latch on the spray gun. This locks the trigger in place and keeps you from accidentally spraying a high pressure stream.



- On the engine there is a choke lever. Place lever to the choke position.



- On the engine there is a throttle control lever. Place throttle to the fast position. Always start engine with throttle in the fast position.



- Grasp the starter grip and pull slowly until resistance is felt, then pull firmly to start engine.
- Grasp the starter grip and pull slowly until resistance is felt, then pull firmly to start engine.
- When engine starts, gradually move choke lever to RUN position.
- If engine does not start after 5 pulls, place choke back to run position.
- For hot engine starts make sure choke lever is in the run position. Make sure fuel shut off valve is open and throttle is in the rabbit position.

NOTE: If any leaks are present shut unit down and tighten fittings.

MAINTENANCE

CUSTOMER RESPONSIBILITIES TABLE

MAINTENANCE TASK	Before each use	Every 25 hours or yearly	Every 50 hours or yearly	Every 100 hours or yearly
PRESSURE WASHER				
Check/clean inlet screen.	x			
Check high pressure hose.	x			
Check soap and chemical hose and filter	x			
Check gun and wand for leaks.	x			
Purge pump of air and contaminants	x			
Check pump oil	x			
Change pump oil			x	
ENGINE				
Check oil level	x			
Change engine oil			x	

Product Specifications

Pressure Washer Specifications

Pressure	3500
Flow Rate	3.0 GPM
Cleaning Units (psi s GPM)	10,500

Engine Specifications

RPM	3600
Rated Horsepower	13
Spark Plug	0.040" 1.02mm
Gasoline Capacity	7 Gallon
Oil	10w-30 weight

General Recommendations

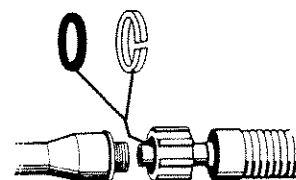
The warranty of the high pressure washer does not cover items that have been subjected to operator abuse or negligence. To receive full value from the warranty, operator must maintain high pressure washer as instructed in this manual.

Some adjustments will need to be made periodically to maintain your high pressure washer.

All adjustments in the Maintenance section of this manual should be made at least once each season.

Once a year you should clean or replace the spark plug and clean or replace the air filter and check the gun and wand assembly for wear. A clean spark plug and clean air filter assure proper fuel-air mixture and help your engine run better and last longer.

NOTE: Over time the o-rings in the gun assembly become worn. Attached to your owners manual is a set of replacement o-ring and split backup ring.



Pressure Washer Maintenance

Check and Clean Inlet Screen: Examine inlet screen on pump inlet fitting. Clean if clogged replace if torn.

Check High Pressure Hose: High pressure hose can develop leaks from wear, kinking, abuse. Inspect hose each time before use. Check for cuts, leaks, abrasions or bulging of cover, damage or movement of couplings. If any of these conditions exist, replace hose immediately.

Check Chemical/Soap Hose: Examine the chemical/soap hose and clean if clogged. Hose should fit tightly on pump fitting. Check for leaks and tears. Replace filter or hose if either is damaged.

Check Gun and Wand: Examine hose connection to gun making sure it is secure. Test trigger by pressing it and making sure it springs back into place when you release it.

Pump Oil

Pump oil level should be checked before each use.

Changing Pump Oil

Oil should be changed after the first 10 hours of operation. Subsequent changes after each 50 hours of operation. To drain oil, simply remove oil plug with an adjustable wrench. The oil plug is located at the bottom of the pump. Dispose of used oil. Properly remove pump oil fill plug. Add 30 weight non-detergent oil. Fill until oil level is at the mid point on the sight glass.

Purge Pump of Air and Contaminants

To remove the air from the pump, follow these steps:

- Set up the pressure washer as described in *Assembly* section and connect the water supply.
- Remove the wand extension from the spray gun.
- Pull the trigger on the gun and hold.

To remove the contaminants from the pump, follow these steps:

- Set up the pressure washer as described in *ASSEMBLY* section, connect the water supply.
- Remove the wand extension from the spray gun.
- Start the engine according to instructions in the *OPERATION* section.

- Pull the trigger on the gun and hold.
- When the water supply is steady and constant, disengage trigger and refasten the wand extension.

Engine Maintenance

Oil

- Oil level should be checked prior to each use or at least every 5 hours of operation. To check oil see *Adding Engine Oil* on page 9.

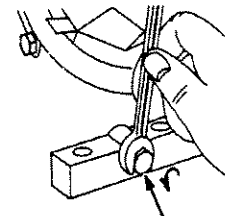
Changing Engine Oil

For a new engine, change oil after the first 5 hours of operation. Thereafter, change oil after every 100 hours of operation.

Change the oil while the engine is still warm. The oil will flow freely and carry away more impurities. Make sure the engine is level when filling, checking, or changing oil.

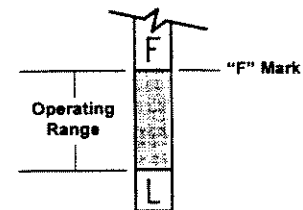
Change the oil as follows:

- To keep dirt, grass clippings, etc., out of the engine, clean the area around the drain plug and dipstick before removing it.
- Remove the oil drain plug and dipstick. Be sure to allow ample time for complete drainage.



OIL DRAIN PLUG

- Reinstall the drain plug. Make sure it is tightened securely.
- Fill the crankcase with new oil of the proper type, to the Full mark on the dipstick. Always check the level with the dipstick before adding more oil.



- When proper oil amount has been added, reinstall dip stick.

Change Oil Filter

Replace the oil filter at least every other oil change (every 200 hours of operation).

1. Drain the oil from the engine crankcase.
2. Allow the oil filter to drain.
3. Before removing the oil filter, clean the area around the oil filter to keep dirt and debris out of the engine. Remove the old filter. Wipe off the surface where the oil filter mounts.
4. Place a new replacement filter in a shallow pan with the open end up. Pour new oil of the proper type in through the threaded center hole. Stop pouring when the oil reaches the bottom of the threads. Allow a minute or two for the oil to be absorbed by the filter material.
5. Put a drop of oil on your fingertip and wipe it on the rubber gasket.
6. Install the replacement oil filter to the filter adapter. Turn the oil filter clockwise until the rubber gasket contacts the filter adapter, then tighten the filter an additional 1/2 turn.
7. Reinstall the drain plug.
8. Fill the crankcase with new oil of the proper type to the "F" mark on the dipstick.
9. Start the engine and check for oil leaks. Correct any leaks before placing the engine into service. Check oil level to be sure it is up to but not over the 'F' mark.

Service Air Cleaner

Wash and reoil the precleaner every 25 hours of operation, (more often under extremely dusty or dirty conditions).

1. Loosen the air cleaner cover knob and remove cover.
2. Remove the precleaner from the paper element.
3. Wash the precleaner in warm water with detergent. Rinse the precleaner thoroughly until all traces of detergent are eliminated. Squeeze out excess water (do not wring). Allow precleaner to air dry.
4. Saturate the precleaner with new engine oil. Squeeze out all excess oil.
5. Reinstall the precleaner over the paper element.
6. Reinstall the air cleaner cover knob and tighten securely.
7. When precleaner replacement is necessary order Part No. 52 083 01.

Service Paper Element

Every 100 hours of operation (more often under extremely dusty or dirty conditions), replace the paper element.

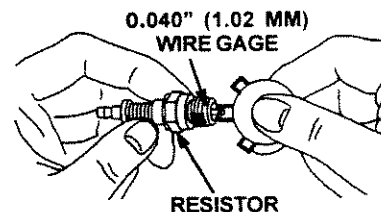
1. Loosen the air cleaner cover knob and remove the cover. Remove the wing nut and then remove the air cleaner element with precleaner. Remove the precleaner from the element and service as necessary.
2. Do not wash the paper element or use pressurized air, as this will damage the element. Replace a dirty, bent, or damaged element with a genuine Kohler element. Handle new elements carefully; do not use if the sealing surfaces are bent or damaged.
3. When servicing the air cleaner, check the air cleaner base. Make sure it is secured and not bent or damaged. Also check the element cover for damage or improper fit. Replace all damaged air cleaner components.
4. Reinstall all components as described above.
5. When air cleaner element replacement is necessary order Part No. 47 083 01.

Do not clean engine with a forceful spray of water because water could contaminate fuel system. With a brush or cloth clean finger guard after every use to prevent engine damage caused by overheating.

Before running engine, clean muffler area to remove all combustible debris.

Clean and Replace Spark Plug

Change the spark plug every 100 hours of operation or once each year, whichever comes first. This will help your engine to start easier and run better.



SERVICE AND ADJUSTMENTS

Carburetor

The carburetor of your high pressure washer is pre-set at the factory. The carburetor should not be tampered with. If your pressure washer is used at an altitude in excess of 5000 feet consult with your nearest Sears Service Center regarding high altitude set changes.

▲ **CAUTION:** Engine speed was properly adjusted at the factory and should require no additional adjustment. Do not attempt to change engine speed. If you believe the engine is running too fast or too slow, take your pressure to a Sears Authorized Service Center for repair and adjustment.

▲ High engine speeds are dangerous and increase the risk of personal injury or damage to equipment.

▲ Low engine speeds impose a heavy load on the engine and when sufficient engine power is not available could shorten engine life.

Nozzle Maintenance

Dual Lance:

1. Shut off the pressure washer and turn off the water supply.
2. Disconnect spark plug wire.
3. Pull trigger on gun handle to relieve any water pressure.
4. Disconnect the wand/lance from the gun.
5. Remove the high-pressure nozzle from the lance. Remove any obstructions with the nozzle cleaning tool provided and backflush with clean water.
6. Direct water supply into nozzle end to backflush loosened particles for 30 seconds.
7. Reassemble the nozzle to the lance using teflon tape to prevent leaks. Tighten securely.
8. Reconnect wand/lance to gun and turn on water supply.
9. Start pressure washer and place wand/lance into high pressure setting to test.

STORAGE

This pressure washer should be stored in such a way to protect it from freezing. Do not store this unit outdoors or in an area where temperatures will fall below 32° F. This can cause extensive damage to this unit.

If unit has to be stored under freezing conditions a non-toxic R.V. anti-freeze can be used to protect from freezing.

Preparing Pressure Washer for Storage

NOTE: If you do not plan to use your unit for 30 days or more, unit should be prepared for storage.

Engine Preparation

- First add a fuel stabilizer to the fuel tank.
 - Run pressure washer for full 5 minutes to allow fuel stabilizer to enter the fuel system.
- NOTE:** While doing this procedure make sure water supply is turned on and flowing to the unit. **NEVER** run unit without water supply running through pump.
- Next shut off engine and disconnect the water supply.
 - Disconnect the spark plug wire and remove the spark plug.

- Add one teaspoon of oil through the spark plug hole.
- Place rag over spark plug hole and pull the recoil a few times to lubricate the combustion chamber.
- Replace the spark plug, but do not connect the spark plug wire.

Pump Preparation

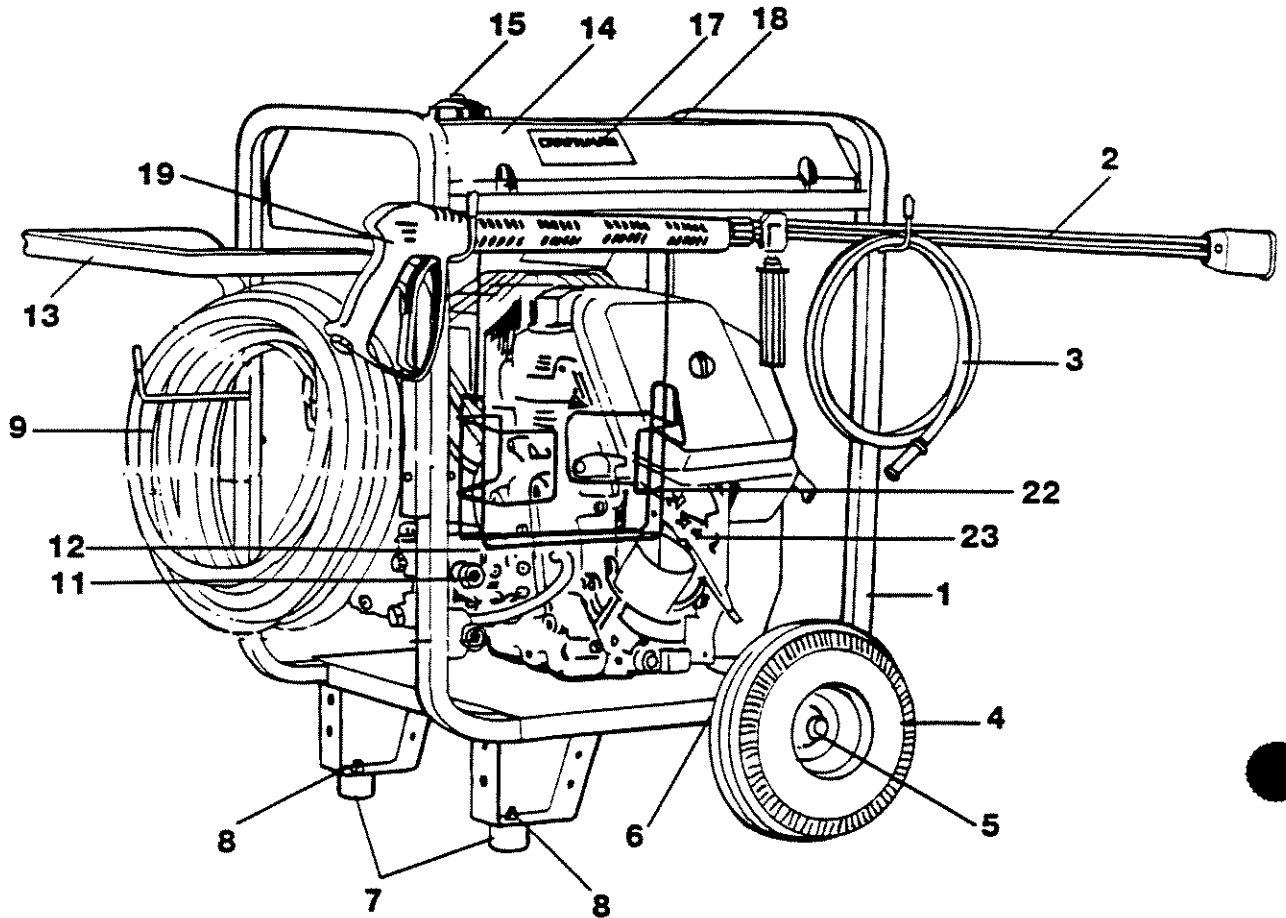
- Be sure engine switch is in "OFF" position and spark plug wire has been removed from spark plug.
- Pull the trigger on the spray gun to release the pressure in the high pressure hose. Detach high pressure hose and garden hose from the unit.
- Pull the recoil on the engine 4 to 6 times to discharge remaining water in pump.
- Tip the unit on the end with the water inlet fitting pointing upward.
- Pour approximately 1/4 cup of non-toxic R.V. anti-freeze down the fitting where the water hose attaches to the pump.
- Set unit upright and pull starter handle on engine 4 to 6 times to circulate anti-freeze in pump until anti-freeze is discharged from the pump.

TROUBLESHOOTING

SYMPTOM	CAUSE	SOLUTION
Engine won't start	<ol style="list-style-type: none"> 1. Engine throttle is in "OFF" Position. 2. Choke lever has not been placed to choke. 3. Pressure buildup after initial use. 	<ol style="list-style-type: none"> 1. Slide throttle to "Rabbit" position. 2. Slide choke lever to choke position. 3. Depress trigger gun.
Won't Draw Chemical	<ol style="list-style-type: none"> 1. Nozzle not in chemical draw position. 2. Chemical screen is obstructed. 3. Chemical screen not working. 4. Chemical injector orifice obstructed or stuck. 5. Chemical injector closed. 	<ol style="list-style-type: none"> 1. Place nozzle to low pressure. 2. Check chemical screen; clean if obstructed. 3. Make sure chemical screen is submerged in chemical/water. 4. Check and clean. 5. Open chemical injector by turning adjustment knob.
Pump running normally but pressure does not achieve rated values	<ol style="list-style-type: none"> 1. Water supply restricted. 2. Nozzle is in low PSI position. 3. Nozzle incorrect or worn. 4. Pump sucking air. 5. Nozzle blocked. 	<ol style="list-style-type: none"> 1. Check water supply and filter screen for blockage. Check hoses for blockage, kinks, leaks, etc. 2. Twist handle for high pressure. 3. Check and replace. 4. Check that hoses and fittings are air-tight. 5. Clean nozzle.
Fluctuating Pressure	<ol style="list-style-type: none"> 1. Pump sucking air. 2. Garden hose inlet strainer clogged. 3. Worn Seals or Packing. 4. Inadequate water supply. 5. Fouled or dirty inlet or discharge valves. 6. Leaky discharge hose. 	<ol style="list-style-type: none"> 1. Check that hoses and fittings are air tight. Purge air from garden hose. 2. Clean. Check filter frequently. 3. Check and replace. 4. Check hose for kinks. 5. Check flow available to pump. Check for excessive heat, 145° F or above. 6. Clean inlet and discharge valve assemblies. Replace if damaged.
Pressure drops after period of normal use	<ol style="list-style-type: none"> 1. Nozzle clogged, partially obstructed. 2. Nozzle worn. 3. Pump Valves worn, dirty or stuck. 4. Worn pump piston packing. 	<ol style="list-style-type: none"> 1. Use nozzle cleaning kit to clear obstruction. (See Nozzle Maintenance under Service Adjustment.) 2. Clean or replace. 3. Check and replace. 4. Check and replace.
Pump noisy	<ol style="list-style-type: none"> 1. Water too hot. 2. Pump sucking air. 3. Valves dirty or worn. 4. Worn bearings. 	<ol style="list-style-type: none"> 1. Reduce temperature below 63° C or 145° F. 2. Check that hoses and fittings are air tight. 3. Check, clean or replace. 4. Check and replace if necessary.
Presence of water in oil (oil milky).	<ol style="list-style-type: none"> 1. High humidity. 2. Piston packing and oil seal worn. 	<ol style="list-style-type: none"> 1. Change Oil. 2. Check and replace oil seals.
Water dripping from pump	<ol style="list-style-type: none"> 1. Thermal relief functioning normal. 2. Fittings Loose. 3. O-rings of piston guide or retainer worn. 4. Piston packing worn. 	<ol style="list-style-type: none"> 1. Protecting pump, if not using pressure washer for a long period of time, shutoff engine. 2. Tighten. 3. Check and replace. 4. Check and replace.
Oil Dripping	<ol style="list-style-type: none"> 1. Oil seal worn 2. Loose drain plug or worn drain plug o-ring. 	<ol style="list-style-type: none"> 1. Check and replace 2. Tighten drain plug or replace O-ring. Do not over torque.

PARTS

CRAFTSMAN 3000 PSI HIGH PRESSURE WASHER 919.763500



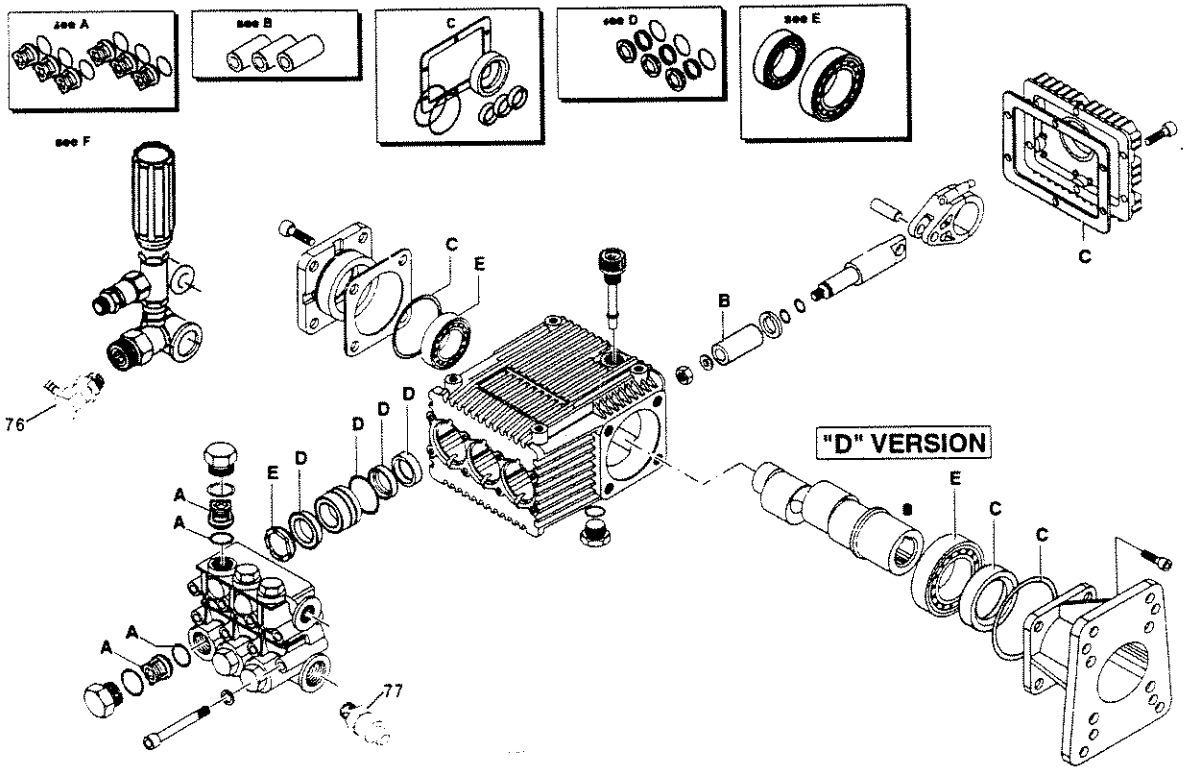
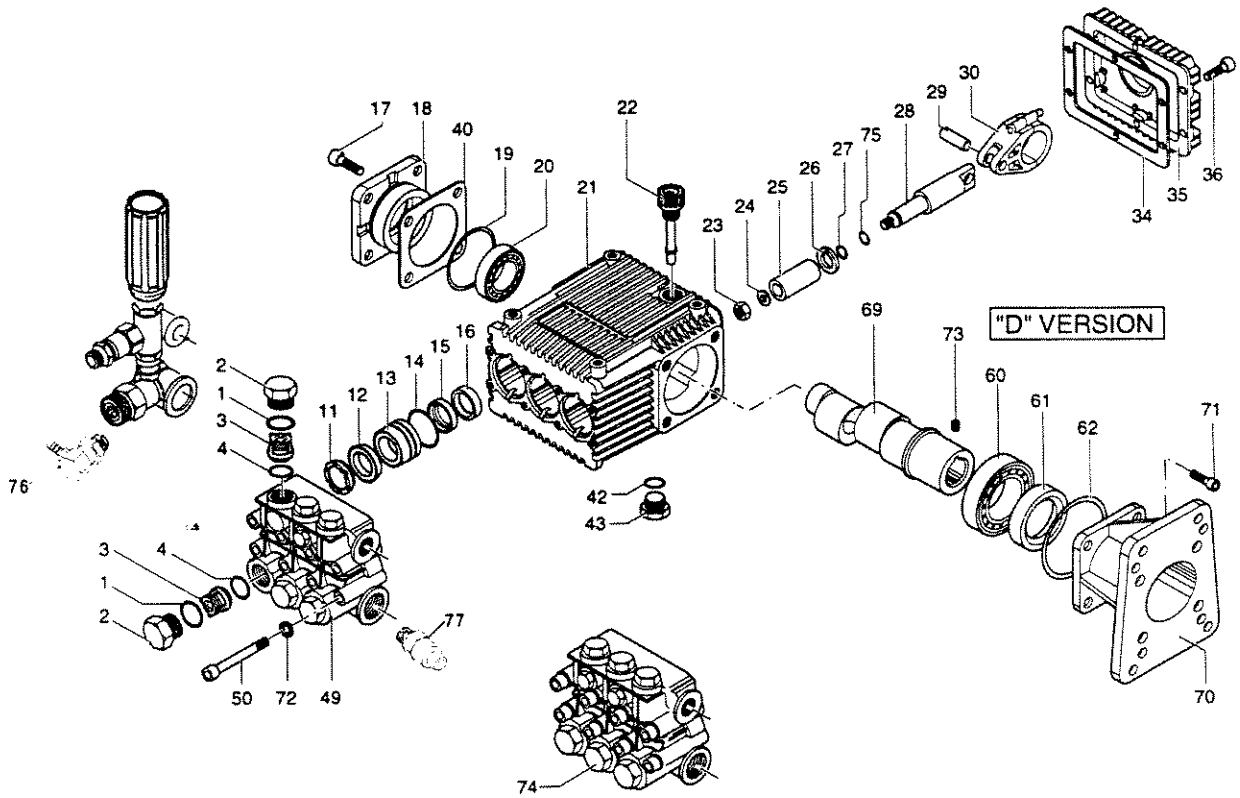
KEY #	PART NUMBER	DESCRIPTION	KEY #	PART NUMBER	DESCRIPTION
1	16601	Frame	22	16593	Chemical Basket
2	16839	Duel Lance	23		Engine
3	H100	Chemical Hose			
4	16535	Tire Pnuematic			
5	F464	Pal Nut			
6	16611	Axle			
7	16371	Rubber Foot			
8	F064	Srew Hex HDC			
9	16756	High Pressure Hose			
10	16823	Garden Hose Connector			
11	15111	Hose Quick Connect			
12	PK16885	Pump			
13	T555-02	Handle			
14	16652	Fuel Tank			
15	16953	Fuel Cap			
16	F039	Pump Quick Connect			
17	16591	Decal Craftsman			
18	16729	Decal Operation			
19	H111G	Gun			

Parts Not Illustrated	
MGP-763500	Owners Manual
F078	Lockwasher, Engine to Frame
F119	Nut Hex 5/16 Engine to Frame
F066	Screw 5/16 Engine to Frame
F107	Lockwasher-Pump to Engine
16106	Srew, Hex- Pump to Engine
F074	Flat Washer- Pump to Engine
NCT001	Tool Cleaning Kit
16776	Easy Start Valve

PUMP PARTS

CRAFTSMAN 3000 PSI HIGH PRESSURE WASHER 919.763500

PUMP NUMBER 16488



PUMP PARTS

CRAFTSMAN 3000 PSI HIGH PRESSURE WASHER 919.763500

PUMP NUMBER 16488

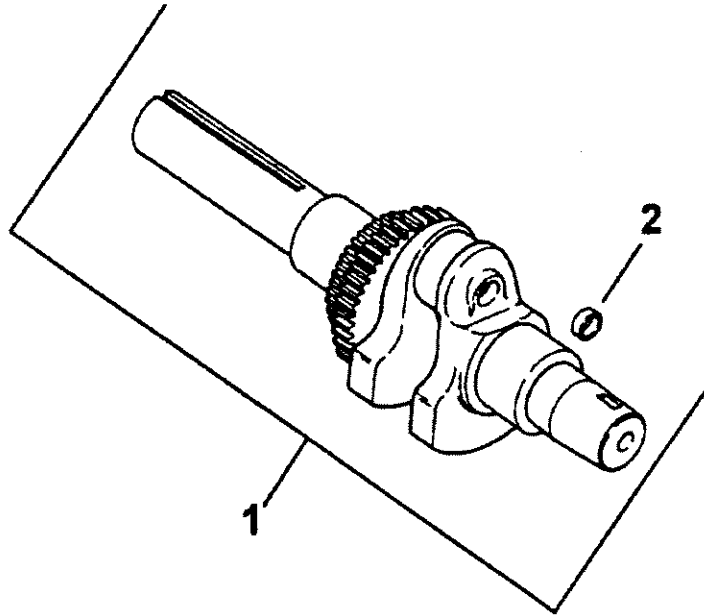
REF. NO.	PART NO.	DESCRIPTION	QTY.	REF. NO.	PART NO.	DESCRIPTION	QTY.
1	AR-960160	O-Ring	6	30	AR-1380290	Bronze con rod	3
2	AR-960850	Plug	6	34	AR-1380170	Gasket	1
3	AR-889052	Complete valve	6	35	AR-1389010	Complete cover	1
4	AR-880830	O-Ring	6	36	AR-1381680	Screw	6
11	AR-960110	Support ring	3	40	AR-1380530	0,5mm shim	1
12	AR-880320	Gasket	3		AR-1380120	O,1 mm shim	1÷3
13	AR-1380090	Piston guide	3		AR-1380130	0,2mm shim	1÷3
14	AR-961240	O-Ring	3	42	AR-740290	O-Ring	2
15	AR-880330	Gasket	3	43	AR-880530	Plug	1
16	AR-880520	Seal	3	49	AR-1381075	Pump head	1
17	AR-850370	Screw	8	50	AR-820150	Screw	8
18	AR-1380050	Bearing support	1	60	AR-1380320	Bearing	1
19	AR-640030	O-Ring	1	61	AR-621170	Seal	1
20	AR-9840370	Bearing	1	62	AR-1380220	O-Ring	1
21	AR-1380010	Pump housing	1	69	AR-1380590	Hollow shaft 01'	1
22	AR-880130	Oil cap	1	70	AR-1380550	Gas engine flange	1
23	AR-962010	Nut	3	71	AR-180030	Screw	4
24	AR-962000	Washer	3	72	AR-1381850	Washer	8
25	AR-1380940	Ceramic piston	3	73	AR-820440	Grub screw	1
26	AR-1380950	Spacer	3	74	AR-1389260	Head pre-assembly	1
27	AR-600180	O-Ring	3	75	AR-1080401	Ring	3
28	AR-1380920	Guiding piston	3	76		Unloader	1
29	AR-1380060	Piston pin	3	77		Thermal Relief Valve	1

PARTS KITS					
A=KIT 16752 Valves		B=KIT 16753 Pistons		C=KIT 16754 Oil Seals for D Version	
Pos.	Qty.	Pos.	Qty.	Pos.	Qty.
3	6	23	3	16	3
4	6			19	1
				34	1
				61	1
				62	1
D=KIT 16751 Water Seals		E=KIT 16755 Bearings		F=KIT 16750 Unloader	
Pos.	Qty.	Pos.	Qty.	Pos.	Qty.
12	3	20	1		
14	3	60	1		
15	3				

ENGINE PARTS

CRAFTSMAN 3000 PSI HIGH PRESSURE WASHER 919.763500

ENGINE NUMBER CH13T -22521

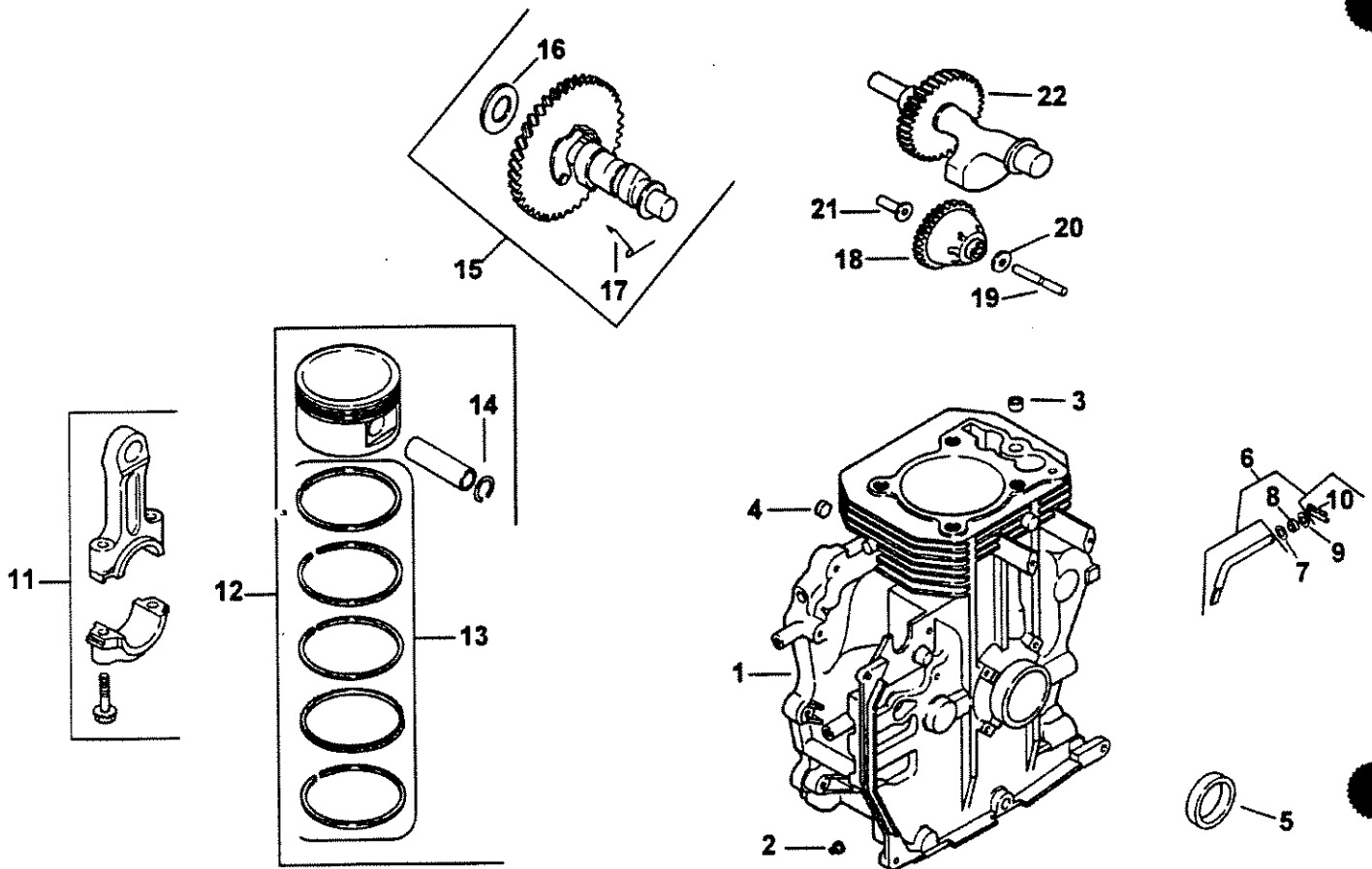


REF. NO.	PART NO.	DESCRIPTION		
1	12 014 30	Crankshaft (Includes 2)		
2	12 139 01	Pluge, Cup		

ENGINE PARTS

CRAFTSMAN 3000 PSI HIGH PRESSURE WASHER 919.763500

ENGINE NUMBER CH13T -22521

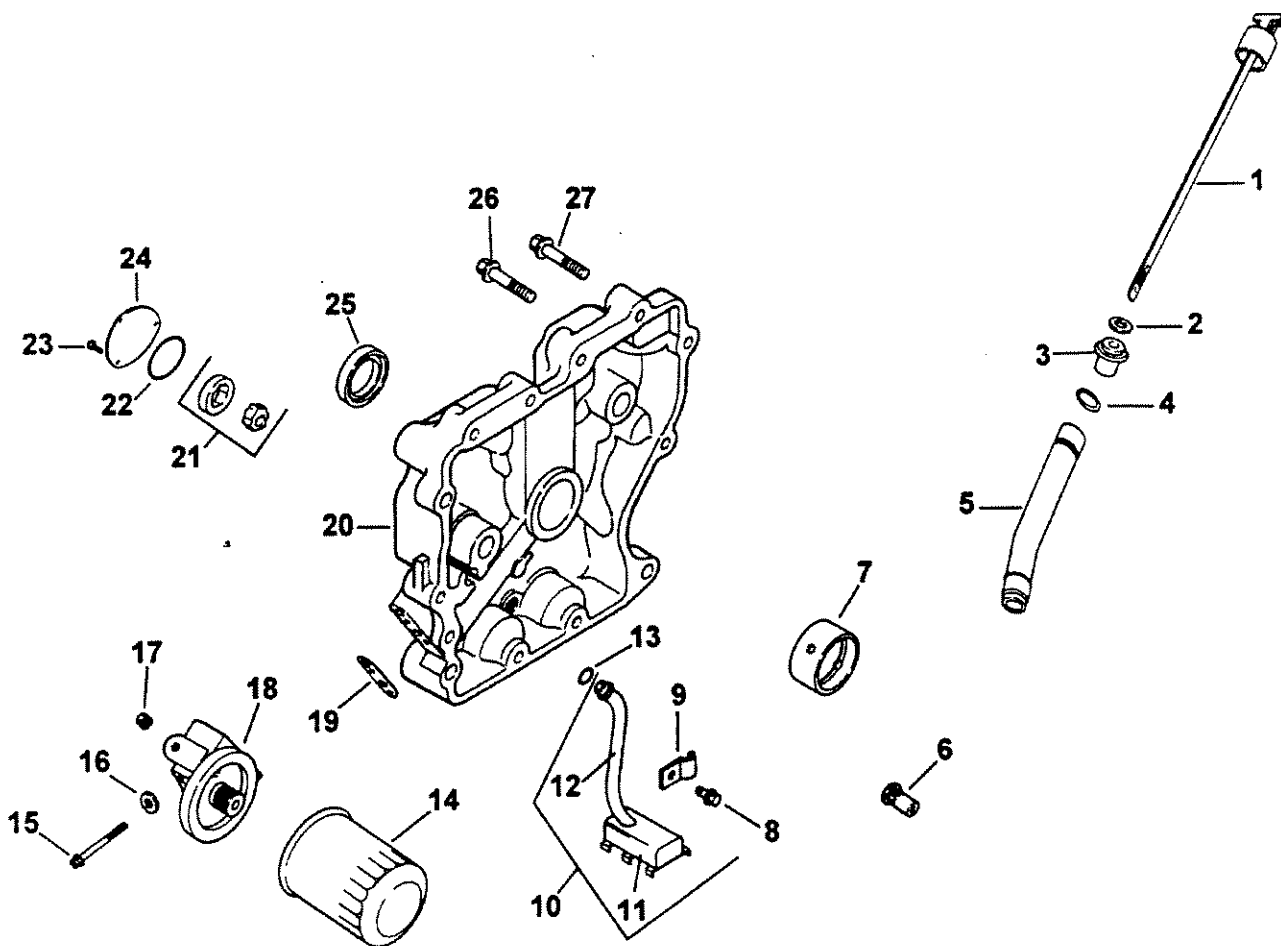


REF. NO.	PART NO.	DESCRIPTION	REF. NO.	PART NO.	DESCRIPTION
1	12 522 06	Crankcase (Use: Short Block)	14	12 018 02	Retainer, piston pin (2)
2	X-75-10	Plug, solid sq. hd. 3/811 N.P.T.F. (2)	15	12 755 49	Kit, camshaft (Includes 16,17)
3	12 280 17	Dowel locating (4)	16	12 422 08	Shim, camshaft (A.R.)
4	52 139 09	Plug, cup			Shim, camshaft (A.R.)
5	12 032 03	Seal, crankshaft			Shim, camshaft Shim, camshaft (A.R.)
6	12 755 64	Kit, governor cross shaft (Includes 10)			Shim, camshaft (A.R.)
7	M-0631015	Washer, plain 6 mm			Shim, camshaft (A.R.)
8	12 032 01	Seal, governor cross			Shim, camshaft (A.R.)
9	X-25-102	Washer, plain 1/4"	17	12 089 31	Spring, actuating
10	12 154 05	Clip, hitch pin	18	1204305	Gear, governor
11	12 067 05	Connecting Rod (Std.)	19	1214402	Shaft, governor gear
	12 067 06	Connecting Rod (.25)	20	M-0631005	Washer, plain 6 mm
12	12 874 01	Piston w/Ring Set (Std.)	21	1238001	Pin, governor regulating
	12 874 02	Piston w/Ring Set (.25)	22	1214426	Shaft, balance
	12 874 03	Piston w/Ring Set (.50)			
13	12 108 01	Ring Set (Std.)			
	12 108 02	Ring Set (.25)			
	12 108 03	Ring Set (.50)			

ENGINE PARTS

CRAFTSMAN 3000 PSI HIGH PRESSURE WASHER 919.763500

ENGINE NUMBER CH13T -22521

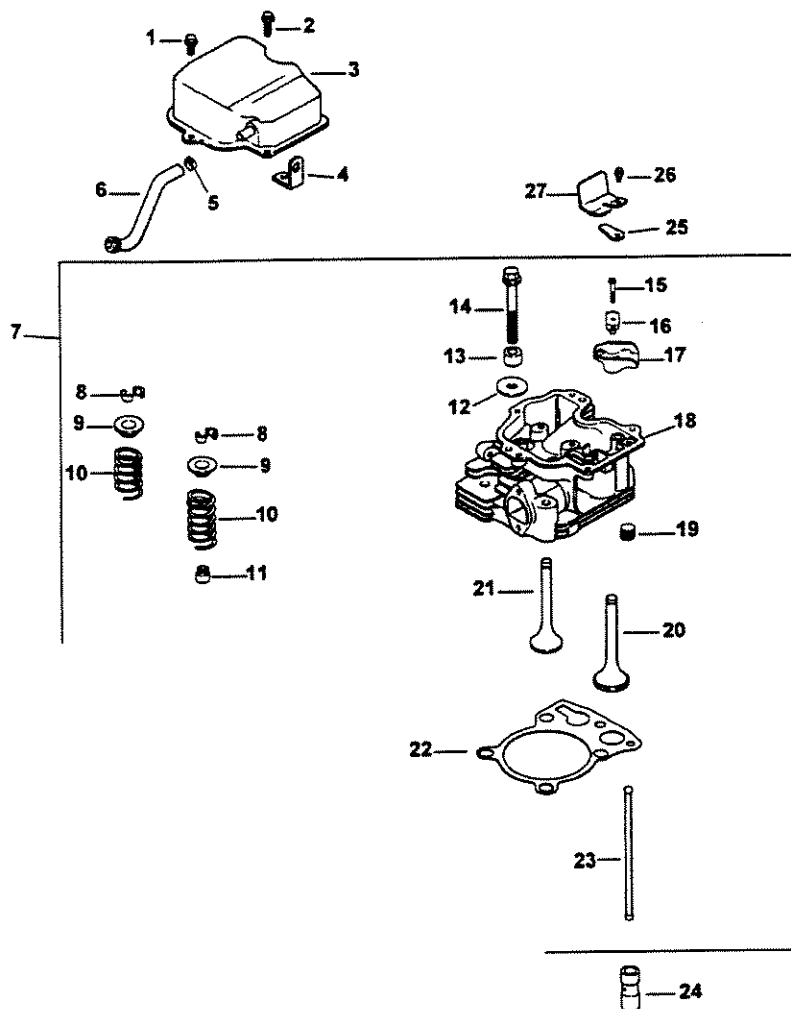


REF. NO.	PART NO.	DESCRIPTION	REF. NO.	PART NO.	DESCRIPTION
1	12 038 11	Dipstick assembly	18	12 029 08	Adapter, oil filter
2	X-25-44	Washer, plain 5/16	19	12 041 07	Casket, oil filter adapter
3	52 032 14	Seal, rubber	20	12 009 36	Closure plate assembly (Includes 6-7, 21-24)
4	41 153 01	O-Ring, lower oil fill tube	21	1239301	Pump, oil assembly
5	12 123 23	Tube, oil fill	22	1215305	O-Ring, oil pump
6	25 462 09	Valve, oil pressure relief	23	M-0545016	Screw, hex. flange M5xO.8x16 (3)
7	12 030 05	Bearing, thrust	24	12 096 21	Cover, oil pump
8	M-0545016	Screw, hex. flange M5xO.9x16	25	12 032 03	Seal, oil (P.T.O. end)
9	52 154 01	Clip, oil tube 5215401	26	24 086 16	Screw, hex. flange M8x1.25x45 (11)
10	12 755 73	Kit, oil pickup (Includes 11,12)	27	24 086 17	Screw, hex. flange M8x1.25x45
11	25 381 01	Pick-up, oil screen	<u>NOT ILLUSTRATED</u>		
12	12 123 21	Tube, oil pick-up	12 113 87	Decal, HP	
13	12 153 04	O-Ring, oil pick-up			
14	52 050 02	Filter, oil			
15	M-0651055	Screw, hex. flange M6x1.Ox55 (2)			
16	X-25-12	Washer, plain 1/4" (2)			
17	X-75-23	Plug, allen hd. 1/8" pipe			

ENGINE PARTS

CRAFTSMAN 3000 PSI HIGH PRESSURE WASHER 919.763500

ENGINE NUMBER CH13T -22521

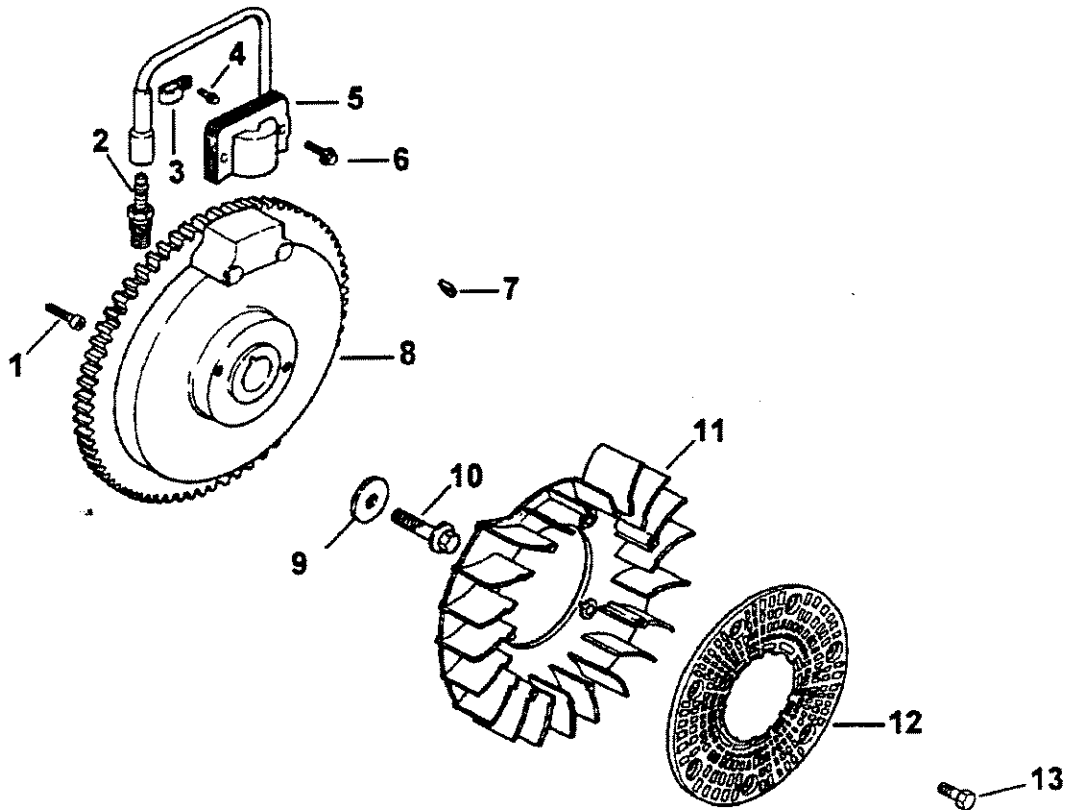


REF. NO.	PART NO.	DESCRIPTION	REF. NO.	PART NO.	DESCRIPTION
1	M-0645020	Screw, hex. flange M6xl.Ox20 (4)	17	25 186 01	Arm, rocker (2)
2	M-0645025	Screw, hex. flange M6xl.Ox25	18	12 318 19	Head, cylinder
3	12 096 07	Cover, valve w/nipple	19	X-75-23	Plug, allen hd. 1/811 pipe
4	12 445 05	Strap, lifting (PTO side)	20	12 017 01	Valve, intake (Std.)
5	X-426-9	Clamp, hose	21	12 016 01	Valve, exhaust (Std.)
6	12 326 09	Hose, breather	22	12 041 08	Gasket, cylinder head
7	12 755 81	Kit, cylinder head (Includes 8-23, 12 041 01 gasket (2), 12 041 02 gasket, and 12 041 03 gasket)	23	12 411 01	Rod, push (2)
8	12 755 03	Kit, retainer (2)	24	12 351 02	Lifter, valve (2)
9	12 173 01	Cap, valve spring (2)	25	12 402 02	Reed, breather
10	12 089 01	Spring, valve (2)	26	M-0545010	Screw, hex. flange M5xO.8x10
11	24 032 05	Seal, valve stem (2)	27	12 018 03	Retainer, breather reed
12	12 468 05	Washer, plain 13/32	NOT ILLUSTRATED		
13	12 112 13	Spacer, head bolt exhaust port	12 041 01		Gasket, carburetor (2)
14	12 086 15	Screw, hex. flange M10xl.5x8l (5)	12 041 02		Gasket, air filter
15	M-0640034	Screw, hex. flange M6xl.Ox34 (2)	12 041 03		Gasket, exhaust manifold
16	12 599 03	Pivot, rocker arm (2)	12 017 02		Valve, intake (.25)
			12 016 02		Valve, exhaust (.25)

ENGINE PARTS

CRAFTSMAN 3000 PSI HIGH PRESSURE WASHER 919.763500

ENGINE NUMBER CH13T -22521

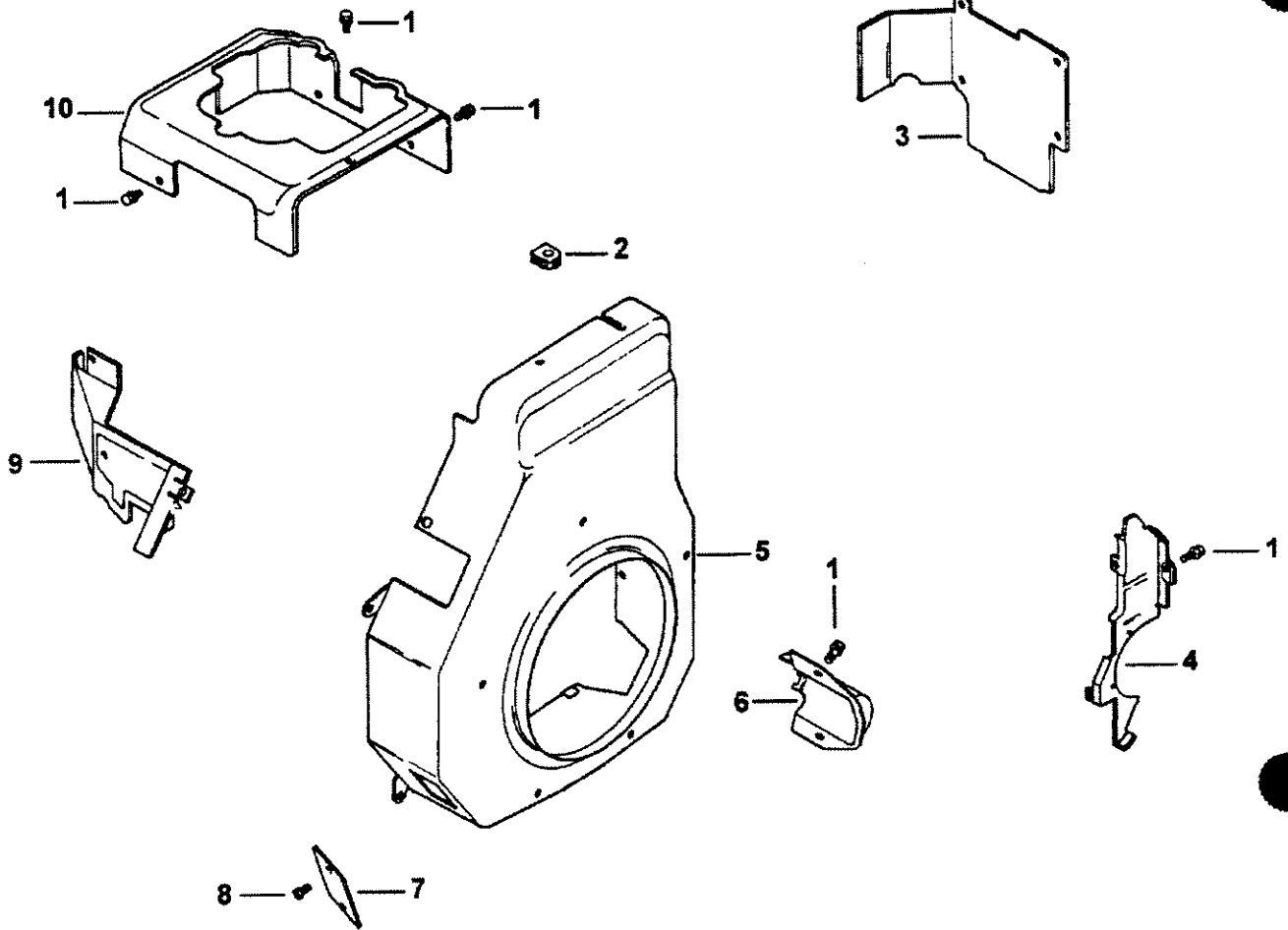


REF. NO.	PART NO.	DESCRIPTION
1	X-67-98	Screw, sems hex. cap 10-32x9/16 (2)
2	1213202	Spark Plug
3	X-728-1	Clip, cable
4	M-0545010	Screw, hex. flange M5xO.8x1O (3)
5	1258405	Module, ignition
6	M-0545020	Screw, hex. flange M5xO.8x2O (2)
7	X-42-15	Key
8	1202525	Flywheel
9	1246803	Washer, plain 3/8"
10	1208614	Screw, hex. flange M1Ox1.5x46
11	1215703	Fan
12	1216203	Screen, grass
13	2508647	Bolt, shoulder (4)
<u>NOT ILLUSTRATED</u>		
	1251808	Lead, white, ground to kill (19" - 18 gauge -uninsulated push on tab and insulated push on tab terminals)

ENGINE PARTS

CRAFTSMAN 3000 PSI HIGH PRESSURE WASHER 919.763500

ENGINE NUMBER CH13T -22521

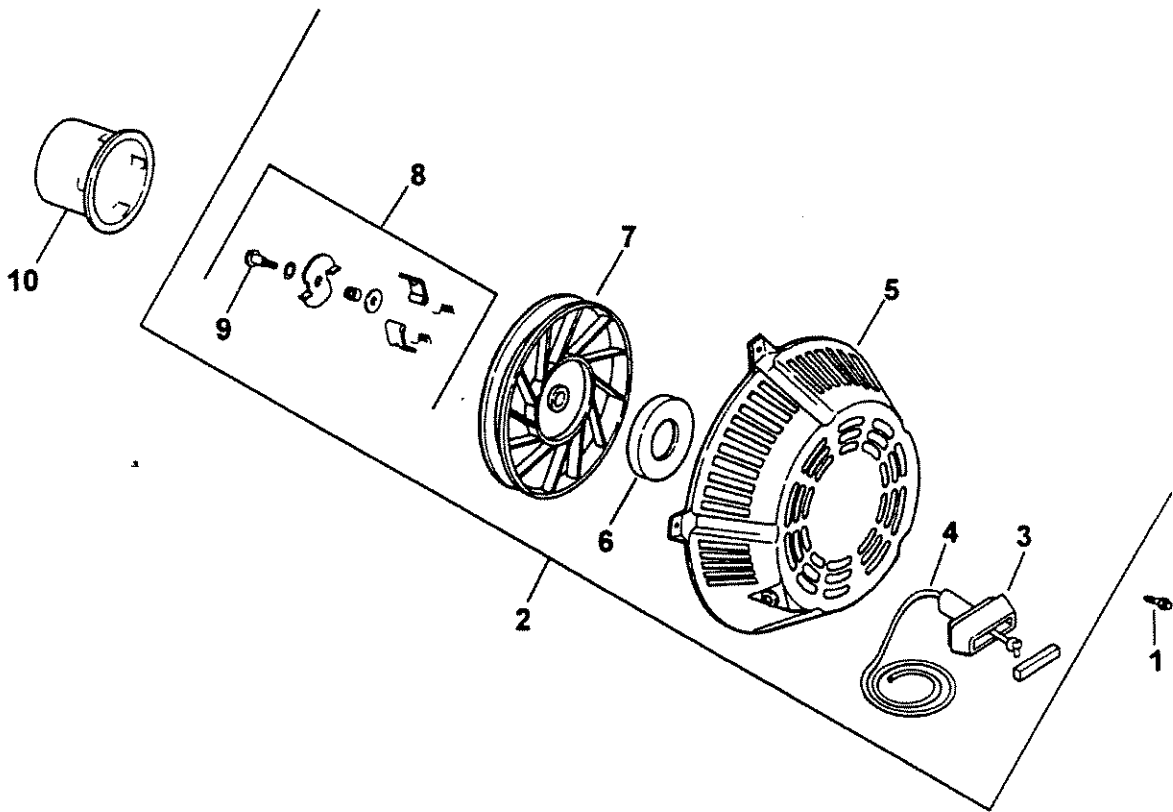


REF. NO.	PART NO.	DESCRIPTION
1	M-0545010	Screw, hex. flange M5xO.8x10 (16)
2	1231303	Grommet, blower housing
3	1206301	Baffle, cylinder
4	1214607	Plate, blower housing
5	1202731	Housing, blower
6	1209629	Cover, starter
7	1209627	Cover, rectifier-regulator
8	M-0639016	Screw, hex. flange M6x1.0x16 (2)
9	1206305	Baffle, carburetor side
10	1206308	Baffle, cylinder head

ENGINE PARTS

CRAFTSMAN 3000 PSI HIGH PRESSURE WASHER 919.763500

ENGINE NUMBER CH13T -22521

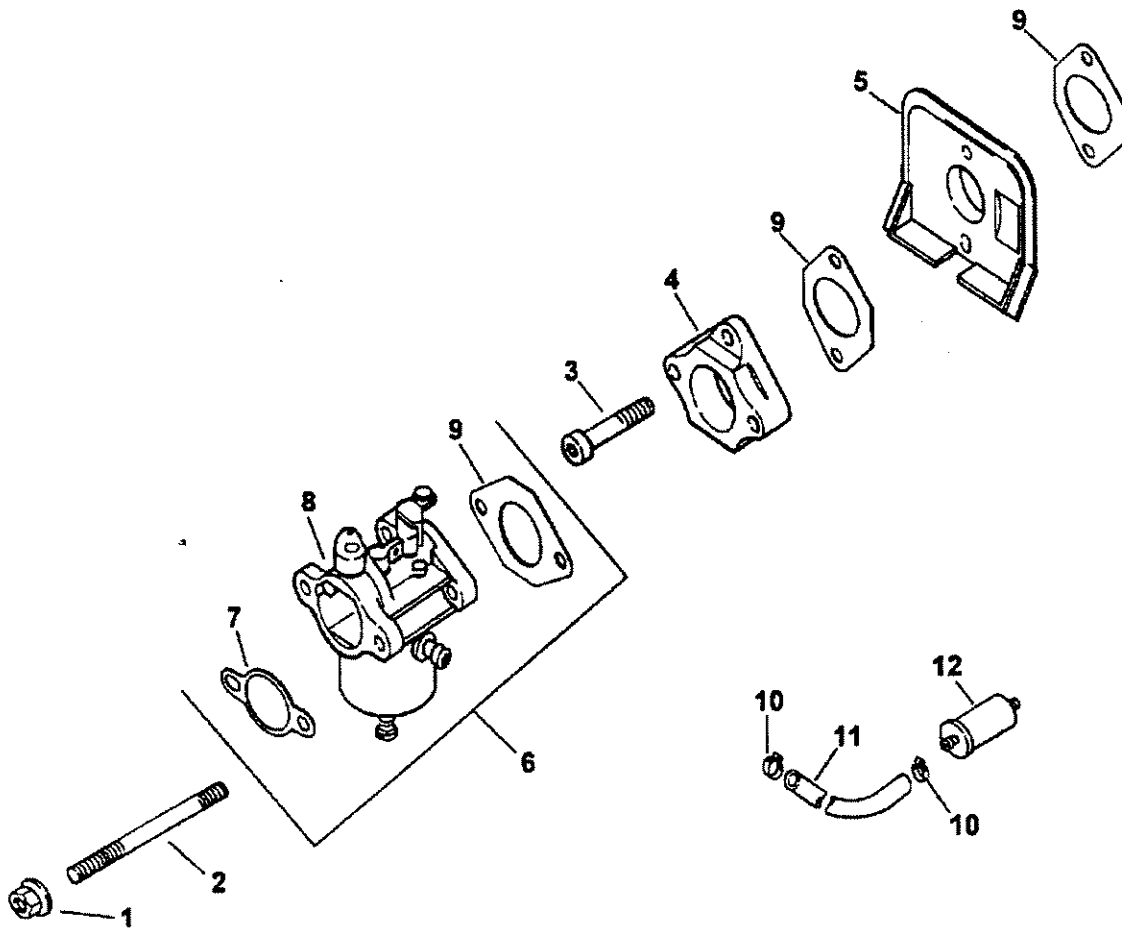


REF. NO.	PART NO.	DESCRIPTION
1	M-0545010	Screw, hex. flange M5xO.8xIO (5)
2	12 165 01	Starter, retractable assy (Includes 3-9)
3	25 166 01	Handle, recoil start
4	12 160 01	Rope, starter
5	12 081 01	Housing, starter
6	12 089 06	Spring & keeper
7	12 093 01	Pulley
8	12 757 06	Kit, pawl (dog) (Includes 9)
9	41 086 09	Screw, pozidriv
10	15 109 01	Cup, drive

ENGINE PARTS

CRAFTSMAN 3000 PSI HIGH PRESSURE WASHER 919.763500

ENGINE NUMBER CH13T -22521

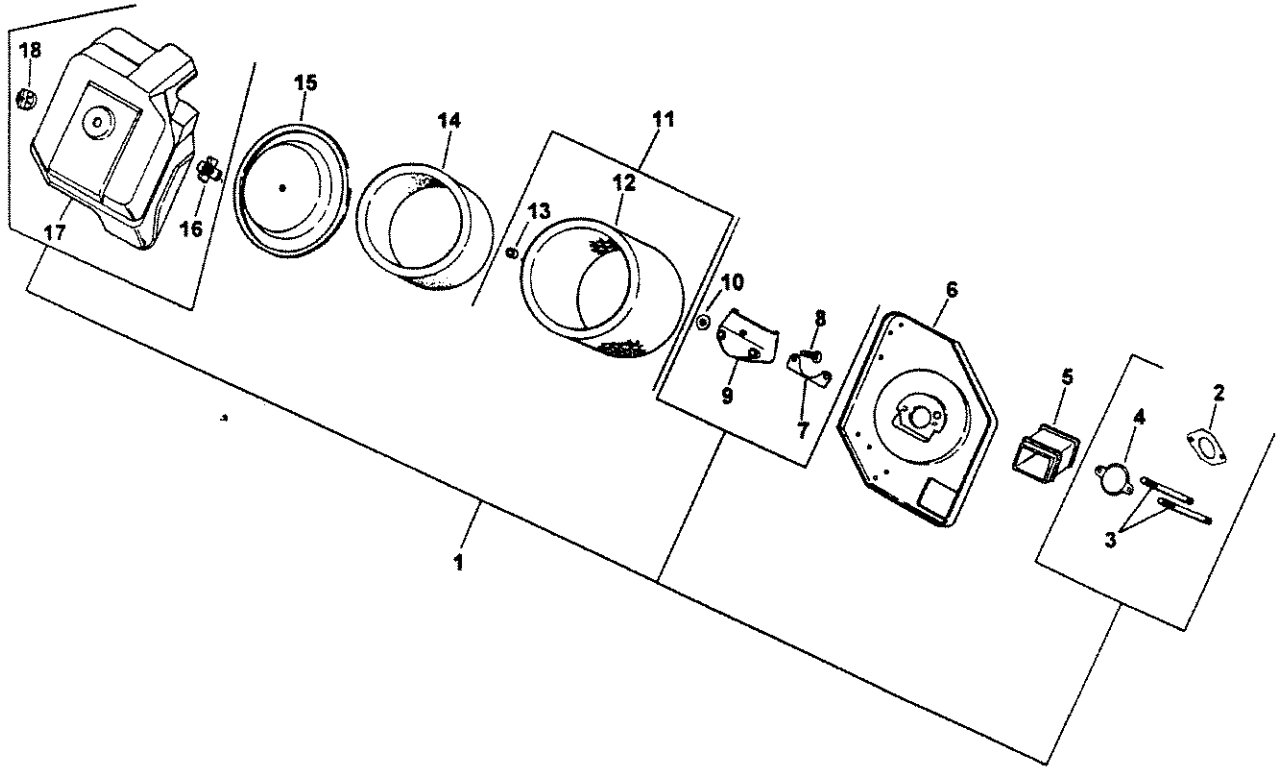


REF. NO.	PART NO.	DESCRIPTION	REF. NO.	PART NO.	DESCRIPTION
1	M-0641060	Nut, hex. flange M6x1.0 (2)			
2	M-0629116	Stud M6x1.0x116 (2)			
3	M-0644035	Screw, hex. socket cap M6x1.0x35 (2)			
4	12 029 04	Adapter, carburetor			
5	12 265 04	Deflector, heat			
6	12 853 80	Kit, carburetor w/gaskets (Incl.7,8,9 Qty 1)			
7	12 041 02	Gasket, air cleaner base			
8	12 053 80	Carburetor assembly (For information only not available separately) Service with Kits 12 757 02, 12 757 08, and 12 757 03)			
9	12 041 01	Gasket, carburetor (3)			
10	X-426-9	10Clamp, hose (2)			
11	25 353 03	Line, fuel 13-1/2			
12	25 050 02	Filter, fuel			
					NOT ILLUSTRATED
			12 757 02		Kit, float assembly
			12 757 03		Kit, carburetor repair
			12 757 08		Kit, choke repair
			12 146 12		Plate, choke
			12 173 06		Cap, choke lever
			25 086 27		Screw, valve (2)

ENGINE PARTS

CRAFTSMAN 3000 PSI HIGH PRESSURE WASHER 919.763500

ENGINE NUMBER CH13T -22521

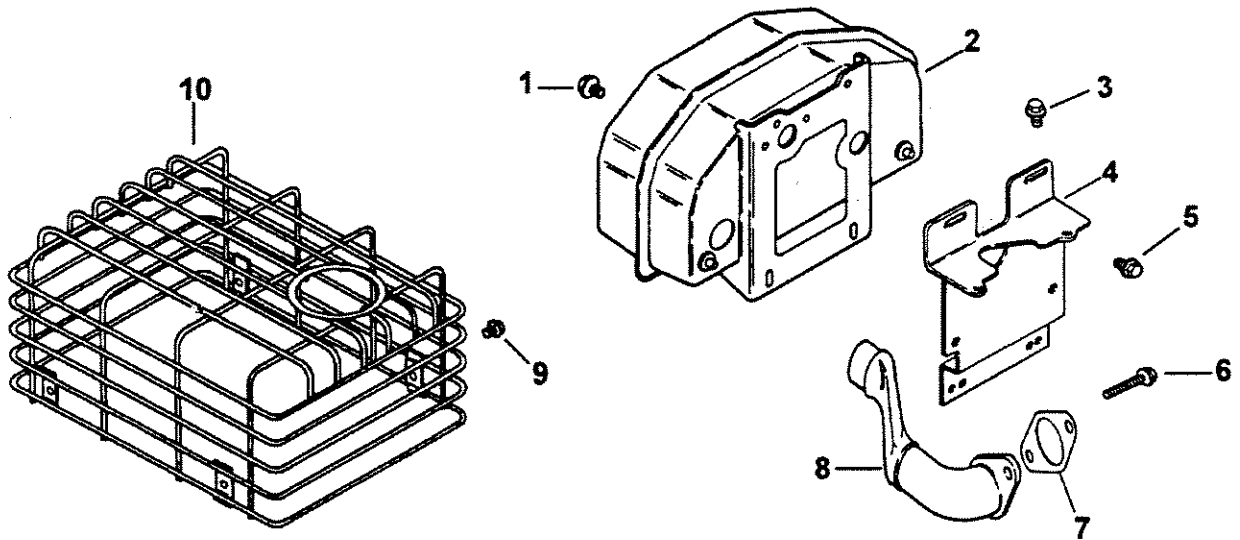


REF. NO.	PART NO.	DESCRIPTION
1	12 755 84	Kit, fuel recovery (Includes 2-4, 7-10, 13, & 16-18)
2	12 041 01	Gasket, carburetor
3	M-0629116	Stud, M6x1.0x116
4	12 041 02	Gasket, air cleaner
5	12 123 07	Tube, air intake
6	12 094 06	Base, air cleaner
7	12 041 09	Gasket, collector plate
8	12 211 02	Bolt, round hd. square neck
9	12 109 08	Cup, fuel spitback
10	12 018 04	Retainer, ring
11	12 743 09	Kit, air cleaner element (Includes 12 & 13)...
12	47 083 01	Element, air cleaner
13	24 032 03	Seal, inner air cleaner
14	52 083 01	Precleaner, element
15	12 096 37	Cover, air cleaner
16	12 100 01	Wing Nut,
17	12 096 36	Cover, air cleaner base
18	25 341 03	Knob, air cleaner cover

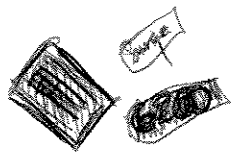
ENGINE PARTS

CRAFTSMAN 3000 PSI HIGH PRESSURE WASHER 919.763500

ENGINE NUMBER CH13T -22521

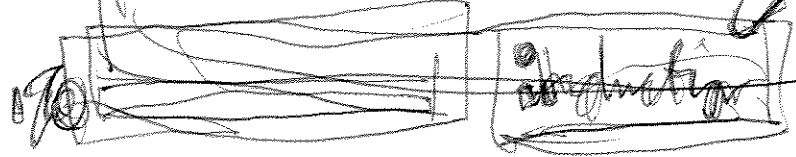


REF. NO.	PART NO.	DESCRIPTION
1	M-0649016	Screw, hex. flange M6x1.0x16 (4)
2	12 068 11	Muffler
3	M-0645025	Screw, hex. flange M6x1.0x25 (2)
4	12 126 31	Bracket, muffler-top
5	41 341 03	Screw, hex. flange M5x0.8x16 (2)
6	M-0545016	Screw, hex. flange M8x1.25x20 (2)
7	M-0839020	Gasket, exhaust manifold
8	12 041 03	Pipe, inlet muffler side
9	12 382 02	Screw, hex. flange M5x0.8x10 (6)
10	M-0549010	Guard,muffler
	12 314 02	Short Block
	12 755 82	Gasket Set



large

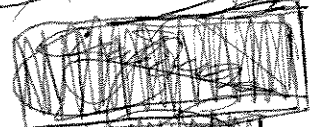
Lib Sears # for treatment
you
800-469-7663



1 800-469 7663



store



high demand

488-1229

48

Free Manuals Download Website

<http://myh66.com>

<http://usermanuals.us>

<http://www.somanuals.com>

<http://www.4manuals.cc>

<http://www.manual-lib.com>

<http://www.404manual.com>

<http://www.luxmanual.com>

<http://aubethermostatmanual.com>

Golf course search by state

<http://golfingnear.com>

Email search by domain

<http://emailbydomain.com>

Auto manuals search

<http://auto.somanuals.com>

TV manuals search

<http://tv.somanuals.com>