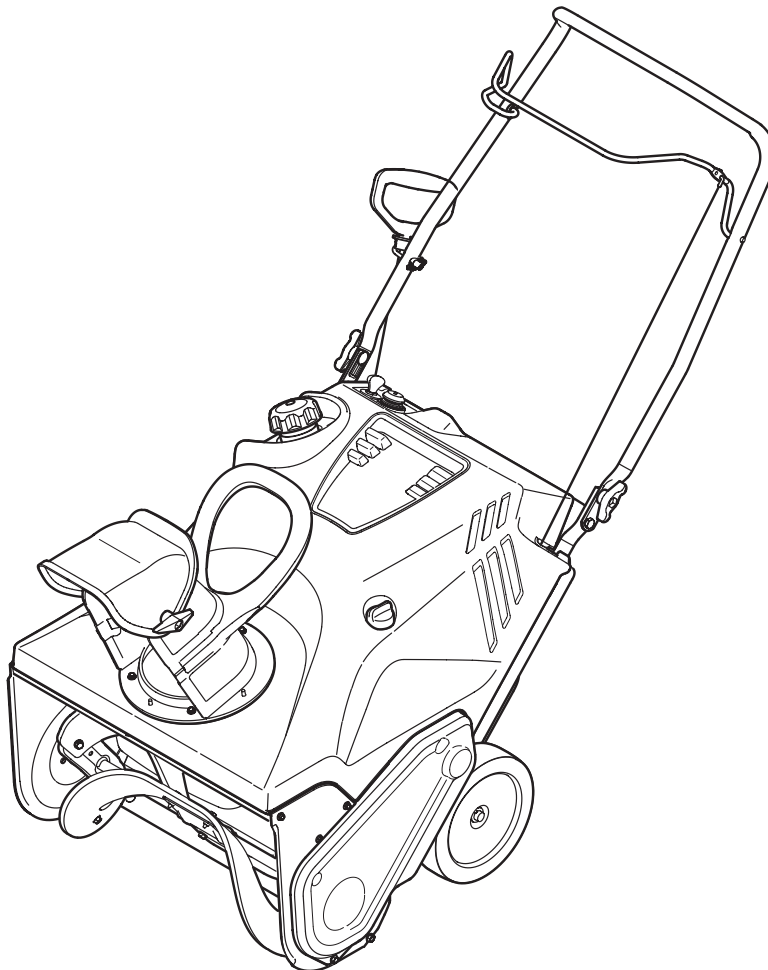


Operator's Manual

CRAFTSMAN®

21" SNOW THROWER

Model No. 247.88780



CAUTION: Before using this product, read this manual and follow all safety rules and operating instructions.

- SAFETY
- ASSEMBLY
- OPERATION
- MAINTENANCE
- PARTS LIST
- ESPAÑOL

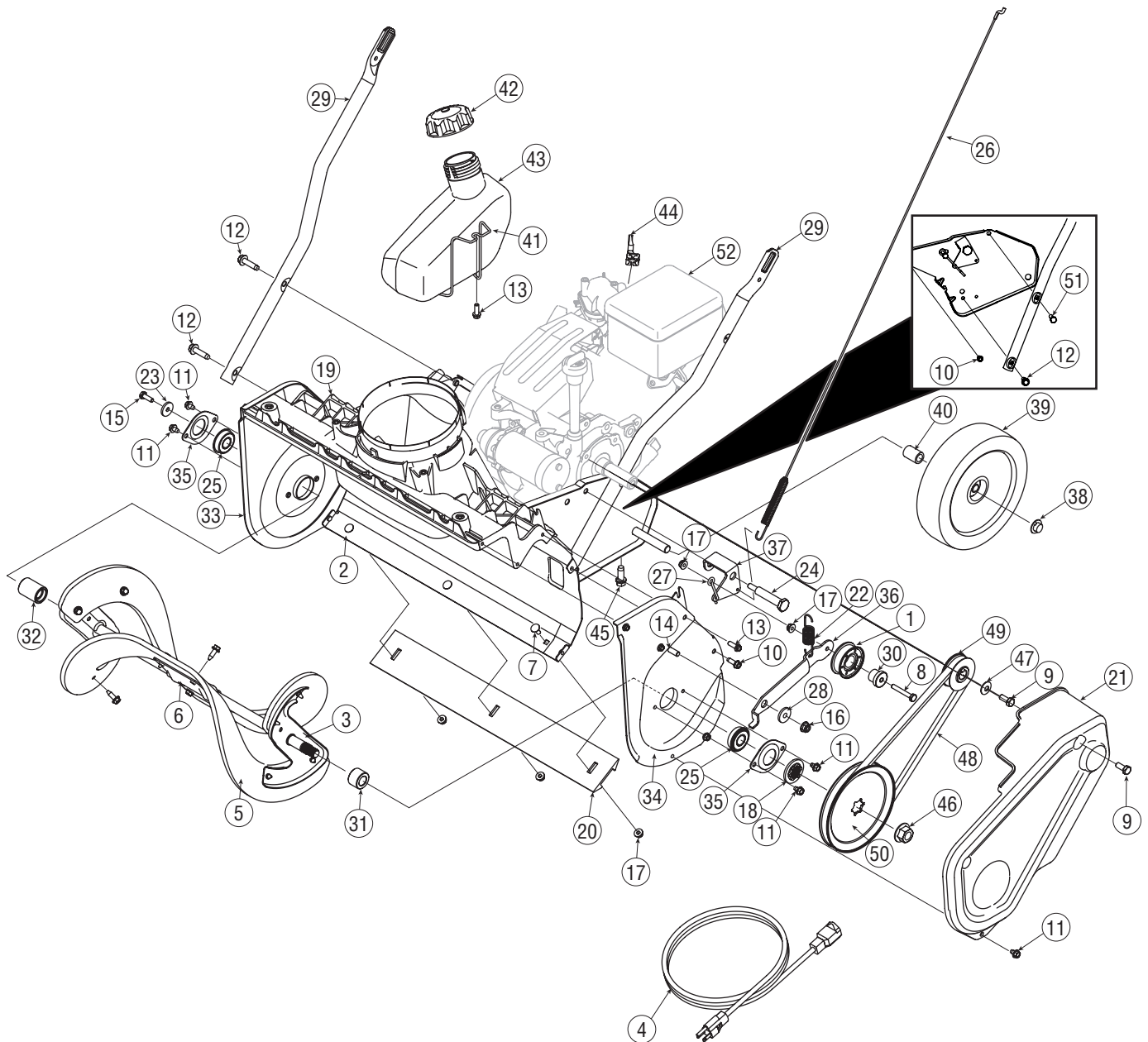
Sears Brands Management Corporation, Hoffman Estates, IL 60179, U.S.A.

Visit our website: www.craftsman.com

FORM NO. 769-06194A
7/23/2010

PARTS LIST

Craftsman Snow Thrower Model 247.88780



PARTS LIST

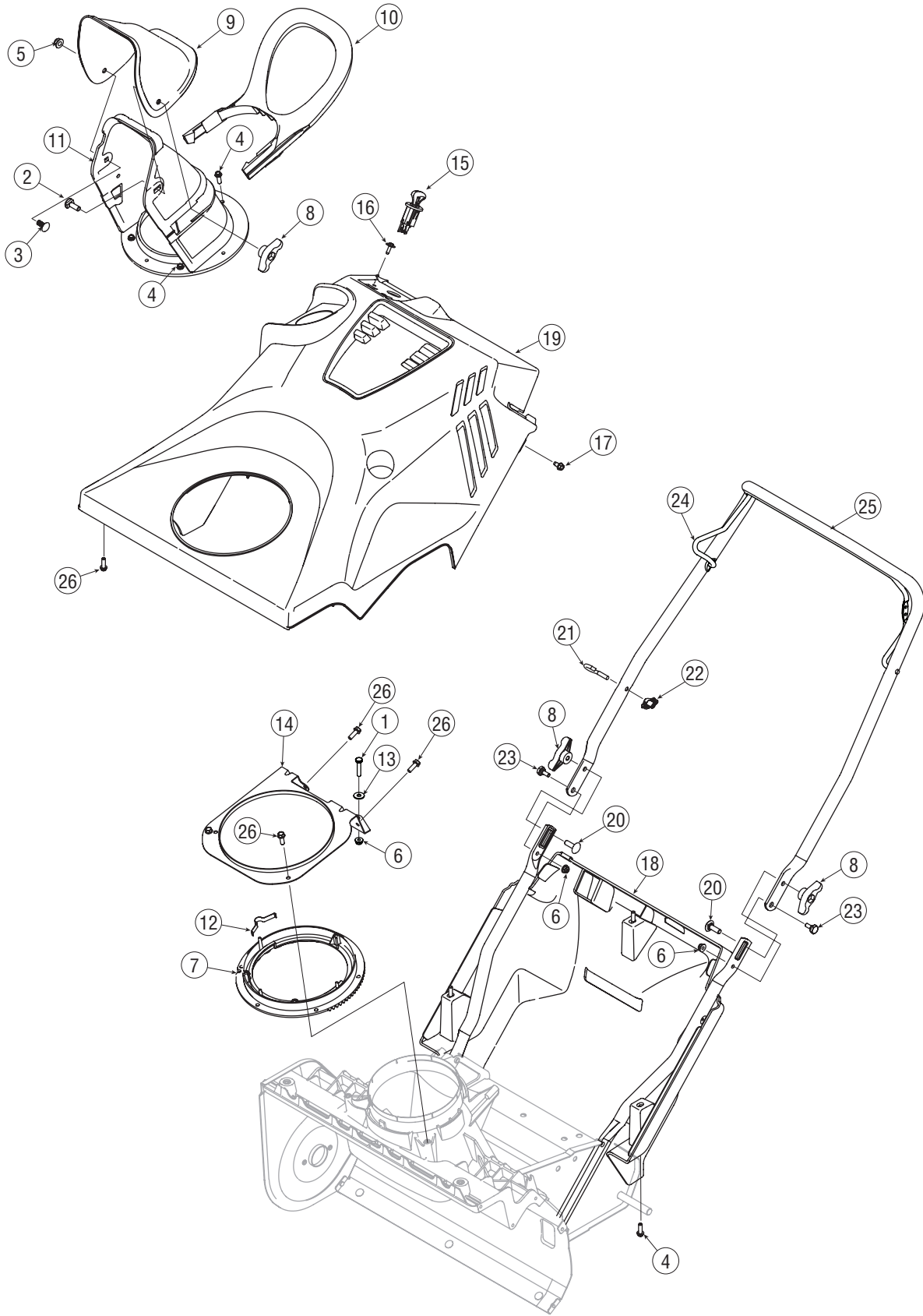
Craftsman Snow Thrower Model 247.88780

| Ref. No. | Part No. | Description |
|----------|----------------|---|
| 1. | 684-04168 | Idler Pulley Assembly |
| 2. | 684-04363-0691 | Frame |
| 3. | 984-04362 | Auger Assembly Mount |
| 4. | 929-0071A | 3-Prong Extension Cord |
| 5. | 753-06469 | Auger Replacement Kit (Inc. 2 Paddles and 12 Hex Washer Screws) |
| 6. | 790-00427-0637 | Center Auger Bracket |
| 7. | 710-0134 | Carriage Screw, 1/4-20 x .62 |
| 8. | 710-0136 | Hex Screw, 1/4-20 x 1.757 |
| 9. | 710-0627 | Hex Lock Screw, 5/16-24 x .750 |
| 10. | 710-0642 | Hex Washer Screw, 1/4-20 x .750 |
| 11. | 710-0653 | Hex Washer Screw, 1/4-20 x .375 |
| 12. | 710-0817 | Hex Washer Screw, 5/16-18 x 1.250 |
| 13. | 710-0895 | Hex Washer Screw, 1/4-15 x .750 |
| 14. | 710-3008 | Hex Screw, 5/16-18 x .75 |
| 15. | 710-3296 | Hex Lock Screw, 1/4-20 x .750 |
| 16. | 712-04063 | Flange Lock Nut, 5/16-18 |
| 17. | 712-04064 | Flange Lock Nut, 1/4-20 |
| 18. | 718-04737 | Pulley Hub |
| 19. | 931-07626 | Chute Adapter |
| 20. | 931-07667 | Shave Plate |
| 21. | 731-07737 | Belt Cover |
| 22. | 732-04748 | Extension Spring, .70 x 3.035 |
| 23. | 936-0176 | Flat Washer, .265 x .938 x .120 |
| 24. | 738-04456 | Shoulder Bolt, 5/16-24 x .496 x 2.18 |
| 25. | 741-04188A | Ball Bearing, .625 x 37 x 12 |
| 26. | 946-04701 | Clutch Cable |

| Ref. No. | Part No. | Description |
|----------|----------------|-------------------------------------|
| 27. | 747-05360 | Drive Cable Wire Support |
| 28. | 748-0234 | Shoulder Spacer |
| 29. | 749-04694-0637 | Lower Handle |
| 30. | 750-04571 | Shoulder Spacer, .260 x .785 x .538 |
| 31. | 750-04758 | LH Auger Spacer |
| 32. | 750-05393 | RH Auger Spacer |
| 33. | 790-00390-0691 | RH Auger Plate |
| 34. | 790-00391-0691 | LH Auger Plate |
| 35. | 790-00403-0691 | Bearing Cup |
| 36. | 790-00406-0637 | Idler Bracket |
| 37. | 790-00426 | Cable Idler Bracket |
| 38. | 726-0299 | Push Cap, 1/2 |
| 39. | 734-1781 | Wheel, 8 x 1.7 |
| 40. | 750-05417 | Sleeve Spacer, .525 x .78 x 1.00 |
| 41. | 747-05341 | Gas Tank Wire Support |
| 42. | 751-10487 | Fuel Cap |
| 43. | 751-11648 | Fuel Tank |
| 44. | 731-07664 | Choke Extension Lever |
| 45. | 710-0654A | Hex Washer Screw, 3/8-16 x 1.000 |
| 46. | 712-0700 | Flange Nut, 9/16-18 |
| 47. | 736-0371 | Flat Washer, .343 x .88 x .062 |
| 48. | 954-04050 | Belt, .500 x 35.06 |
| 49. | 956-0416B | Pulley Half, .625 x 2.25 |
| 50. | 756-04443 | Pulley, 1/2 x 6.00 |
| 51. | 710-05183 | Hex Screw, 5/16-24 x 1.25 |
| 52. | 752Z265-JU | Replacement Engine |
| | | |

PARTS LIST

Craftsman Snow Thrower Model 247.88780



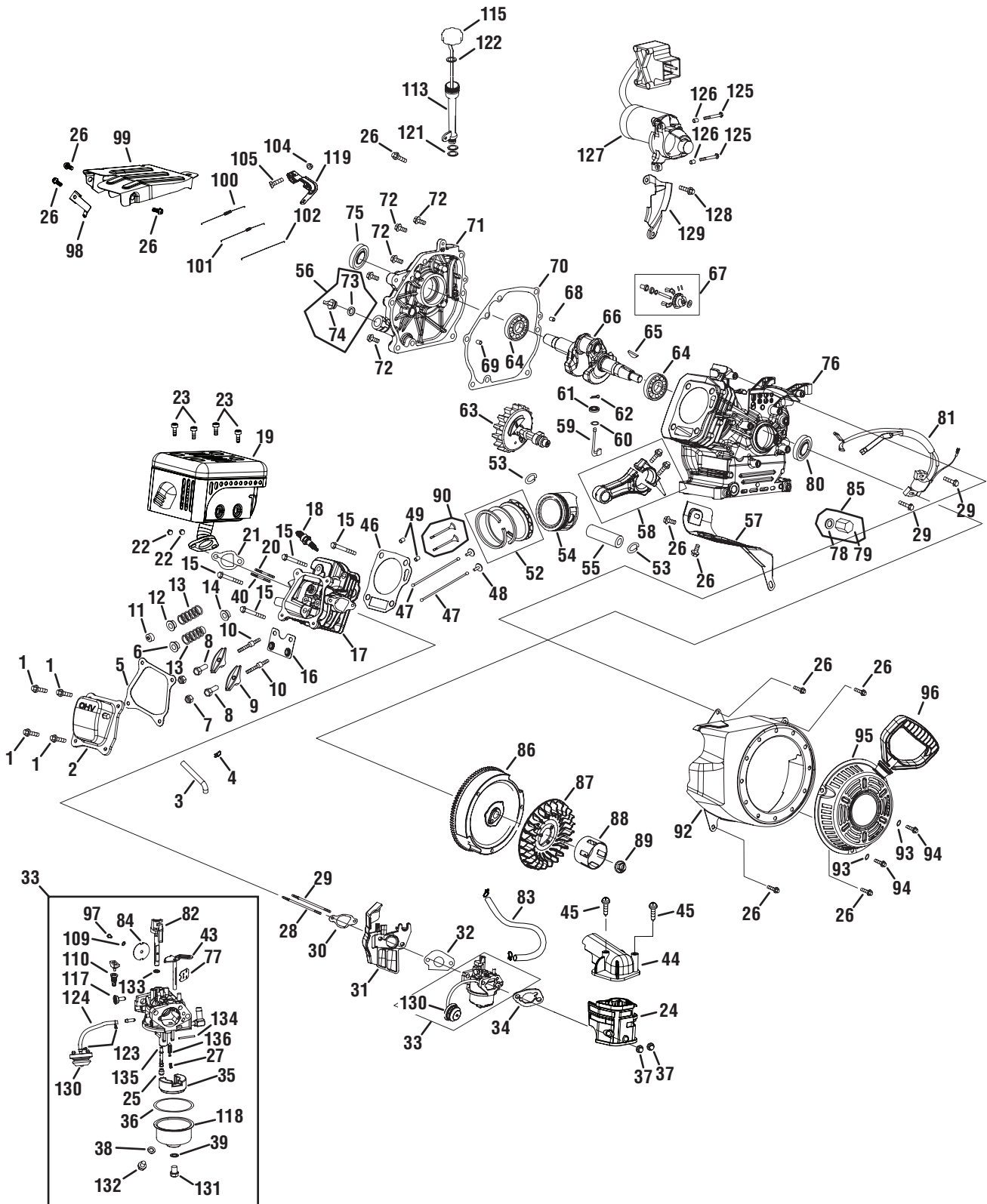
PARTS LIST

Craftsman Snow Thrower Model 247.88780

| Ref. No. | Part No. | Description |
|----------|----------------|--------------------------------------|
| 1. | 710-0106 | Hex Screw, 1/4-20 x 1.25 |
| 2. | 710-04071 | Carriage Bolt, 5/16-18 x 1.00 |
| 3. | 710-0451 | Carriage Bolt, 5/16-18 x .750 |
| 4. | 710-05108 | Hex Washer Screw, 1/4 x .750 |
| 5. | 712-04063 | Flange Lock Nut, 5/16-18 |
| 6. | 712-04064 | Flange Lock Nut, 1/4-20 |
| 7. | 917-04844 | Bevel Gear |
| 8. | 720-04122 | Wing Knob, 5/16-18 |
| 9. | 731-04426A | Upper Chute |
| 10. | 731-07644 | Chute Handle |
| 11. | 931-07753 | Lower Chute |
| 12. | 932-04111 | Chute Adjustment Spring |
| 13. | 736-0173 | Flat Washer, .28 x .74 x .063 |
| 14. | 790-00401-0637 | Gear Retaining Bracket |
| 15. | 925-04031A | Ignition Switch Assembly |
| 16. | 710-04669 | Hex Washer Screw, 10-16 x .625 |
| 17. | 710-0599 | Hex Washer Screw, 1/4-20 x .500 |
| 18. | 731-07725 | Bottom Cover |
| 19. | 731-07781 | Top Cover |
| 20. | 710-04998 | Carriage Screw, 5/16-18 x 1.00 |
| 21. | 710-1205 | Eye Bolt, 1/4-20 |
| 22. | 720-0279 | Handle Knob |
| 23. | 738-04419A | Shoulder Screw, 1/4-20 x .375 x .148 |
| 24. | 747-05327-0637 | Auger Bail |
| 25. | 749-04703-0637 | Upper Handle |
| 26. | 710-0895 | Screw, Hi-Lo:1/4-15, 0.75 |

PARTS LIST

Craftsman Engine Model 265-JU For Snow Thrower Model 247.88780



PARTS LIST

Craftsman Engine Model 265-JU For Snow Thrower Model 247.88780

| Ref. | Part No. | Description | Ref. | Part No. | Description | Qty. |
|------|-----------|---|------|------------|--|------|
| 1 | 710-04968 | Bolt | 86 | 951-10805 | Flywheel | |
| 2 | 951-11054 | Valve Cover | 87 | 951-10909 | Cooling Fan | |
| 3 | 731-07059 | Breather Hose | 88 | 951-10911 | Starter Cup | |
| 4 | 726-04101 | Hose Clamp | 89 | 712-04209 | Nut | |
| 7 | 751-11124 | Pivot Locking Nut | 90 | 951-10647 | Valve Kit (incl. intake and exhaust valve) | |
| 8 | 751-11123 | Valve Adjusting Nut | 92 | 751-12014 | Blower Housing | |
| 10 | 710-04902 | Pivot Bolt | 93 | 736-04455 | Washer | |
| 15 | 710-04933 | Bolt | 94 | 710-04974 | Bolt | |
| 18 | 951-10292 | Spark Plug | 95 | 751-12015 | Recoil Starter | |
| 19 | 751-12010 | Muffler Assembly | 96 | 731-05696 | Starter Handle | |
| 20 | 710-05276 | Stud | 98 | 951-11104 | Governor Spring Bracket | |
| 21 | 951-11285 | Muffler Gasket | 99 | 751-12016 | Governor Shield | |
| 22 | 712-04214 | Nut | 100 | 751-12017 | Governor Spring | |
| 23 | 710-05002 | Bolt | 101 | 951-10664 | Throttle Return Spring | |
| 24 | 951-10962 | Heater Box Base | 102 | 951-10665 | Governor Rod | |
| 26 | 710-04915 | Bolt | 104 | 712-04212 | Nut | |
| 28 | 710-05101 | Stud, M6 x110 | 105 | 710-04908 | Bolt | |
| 29 | 710-04919 | Bolt | 113 | 751-11913 | Dipstick Tube | |
| 33 | 951-12011 | Carburetor Assembly | 115 | 751-11912 | Dipstick | |
| 37 | 712-04213 | Nut | 119 | 951-11106 | Governor Arm Bracket | |
| 44 | 951-10961 | Heater Box | 121 | 951-11903 | O-Ring | |
| 45 | 710-05275 | Bolt | 122 | 751-11934 | O-Ring | |
| 47 | 951-10648 | Push Rod Kit (incl. intake and exhaust rod) | 125 | 710-05182 | Bolt | |
| 49 | 715-04090 | Dowel Pin | 126 | 715-04088 | Dowel Pin | |
| 57 | 951-11113 | Air Shield | 127 | 951-10645A | Electric Starter | |
| 59 | 951-11356 | Governor Arm Shaft | 128 | 710-04979 | Bolt | |
| 60 | 736-04461 | Washer | 129 | 951-11109 | Blower Housing Shield | |
| 62 | 714-04074 | Cotter Pin | 130 | 951-10639A | Primer | |
| 64 | 951-11369 | Radial Ball Bearing | 131 | 710-04945 | Bolt | |
| 65 | 951-10307 | Flywheel Key | 132 | 710-04938 | Drain Bolt | |
| 68 | 715-04092 | Dowel Pin, 7 x 14 | — | 952Z265-JU | Engine, Complete | |
| 69 | 715-04096 | Dowel Pin, 9 x 14 | 56 | 951-11283 | Oil Fill Plug Assembly | — |
| 70 | 951-11371 | Crankcase Cover Gasket | 73 | 951-11577 | O-Ring | 1 |
| 72 | 710-04932 | Cover Bolt | 74 | — | Oil Fill Plug | 1 |
| 75 | 951-11368 | Oil Seal | — | 951-11063 | Valve Cover Kit (Not Shown) | — |
| 78 | 736-04440 | Washer | 2 | 951-11054 | Valve Cover | 1 |
| 80 | 951-11370 | Oil Seal | 5 | 951-11565 | Head Cover Gasket | 1 |
| 81 | 751-12013 | Ignition Coil | — | 751-11913 | Oil Fill Tube Assembly | — |
| 83 | 751-12012 | Fuel Line Kit (incl. clamps and fuel line) | 113 | 751-11913 | Dipstick Tube | 1 |
| 85 | 951-10370 | Oil Drain Assembly, includes 78, 79 | 121 | 951-11903 | O-Ring | 2 |

PARTS LIST

Craftsman Engine Model 265-JU For Snow Thrower Model 247.88780

| Ref. | Part No. | Description | Qty. | Ref. | Part No. | Description | Qty. |
|------|------------|----------------------------------|------|------|------------|------------------------------------|------|
| 33 | 751-12011 | Carburetor Assembly | — | — | 951-10722A | Cylinder Head Assembly (Not Shown) | — |
| 25 | — | Main Jet | 1 | 5 | 951-11565 | Head Cover Gasket | 1 |
| 27 | — | Needle Valve Spring | 1 | 6 | 751-12000 | Intake Valve Spring Seat | 1 |
| 35 | — | Float | 1 | 7 | 751-11124 | Pivot Locking Nut | 2 |
| 36 | 951-11589 | Fuel Bowl Gasket | 1 | 8 | 751-11123 | Valve Adjusting Nut | 2 |
| 38 | 951-11349 | Fuel Drain Plug Gasket | 1 | 9 | 751-11893 | Rocker Arm | 2 |
| 39 | 951-11348 | Fuel Bowl Gasket | 1 | 10 | 710-04902 | Pivot Bolt | 2 |
| 43 | — | Choke Shaft | 1 | 11 | 751-12002 | Exhaust Valve Adjuster | 1 |
| 77 | — | Choke Plate | 1 | 12 | 751-12003 | Exhaust Valve Spring Seat | 1 |
| 82 | — | Throttle Shaft | 1 | 13 | 751-12004 | Valve Spring | 2 |
| 84 | — | Throttle Plate | 1 | 14 | 751-11894 | Intake Valve Seal | 1 |
| 97 | — | Screw, M3x5 | 1 | 16 | 751-11895 | Push Rod Guide Plate | 1 |
| 109 | — | Lock Washer | 1 | 17 | — | Cylinder Head - Complete | 1 |
| 110 | — | Idle Jet Assembly | 1 | 21 | 951-11285 | Muffler Gasket | 1 |
| 117 | — | Idle Speed Adjusting Screw | 1 | 30 | 951-11567 | Carburetor Insulator Gasket | 1 |
| 118 | — | Fuel Bowl | 1 | 31 | 951-11568 | Carburetor Insulator Plate | 1 |
| 123 | 751-11906 | Hose Clamp | 2 | 46 | 751-11898 | Cylinder Head Gasket | 1 |
| 124 | 751-12019 | Primer Hose | 1 | 90 | 951-10647 | Valve Kit | 1 |
| 130 | 951-10639A | Primer | 1 | — | 751-12031 | Crankcase Kit (Not Shown) | — |
| 131 | 710-04945 | Bolt | 1 | 61 | 751-11902 | Governor Seal | 1 |
| 132 | 710-04938 | Drain Bolt | 1 | 64 | 951-11369 | Radial Ball Bearing | 1 |
| 133 | — | Gasket, Throttle Plate | 1 | 70 | 951-11371 | Crankcase Cover Gasket | 1 |
| 134 | — | Float Pin | 1 | 76 | — | Crankcase | 1 |
| 135 | — | Emulsion Tube | 1 | 80 | 951-11370 | Oil Seal | 1 |
| 136 | — | Needle Valve | 1 | — | 951-11020 | Carburetor Kit, Major (Not Shown) | — |
| — | 751-12028 | Gasket Kit, Complete (Not Shown) | — | 25 | — | Main Jet | 1 |
| 5 | 951-11565 | Head Cover Gasket | 1 | 27 | — | Needle Valve Spring | 1 |
| 21 | 951-11285 | Muffler Gasket | 1 | 35 | — | Float | 1 |
| 30 | 951-11567 | Carburetor Insulator Gasket | 1 | 36 | 951-11589 | Fuel Bowl Gasket | 1 |
| 31 | 951-11568 | Carburetor Insulator Plate | 1 | 38 | 951-11349 | Fuel Drain Plug Gasket | 1 |
| 32 | 751-11569A | Carburetor Gasket | 1 | 39 | 951-11348 | Fuel Bowl Gasket | 1 |
| 34 | 951-11571 | Carburetor Gasket Plate | 2 | 133 | — | Gasket, Throttle Plate | 1 |
| 46 | 751-11898 | Cylinder Head Gasket | 1 | 134 | — | Float Pin | 1 |
| 60 | 736-04461 | Washer | 1 | 135 | — | Emulsion Tube | 1 |
| 61 | 751-11902 | Governor Seal | 1 | 136 | — | Needle Valve | 1 |
| 62 | 714-04074 | Cotter Pin | 1 | — | 751-11912 | Dipstick Assembly | — |
| 70 | 951-11371 | Crankcase Cover Gasket | 1 | 115 | 751-11912 | Dipstick | 1 |
| 75 | 951-11368 | Oil Seal | 1 | 122 | 751-11934 | O-Ring | 1 |
| 78 | 736-04440 | Washer | 1 | 40 | 751-12027 | Muffler Stud Assembly | — |
| 80 | 951-11370 | Oil Seal | 2 | 20 | 710-05276 | Stud | 2 |

PARTS LIST

Craftsman Engine Model 265-JU For Snow Thrower Model 247.88780

| Ref. | Part No. | Description | Qty. |
|------|-----------|----------------------------------|------|
| — | 751-12029 | Short Block Assembly (Not Shown) | — |
| 5 | 951-11565 | Head Cover Gasket | 1 |
| 21 | 951-11285 | Muffler Gasket | 1 |
| 30 | 951-11567 | Carburetor Insulator Gasket | 1 |
| 31 | 951-11568 | Carburetor Insulator Plate | 1 |
| 46 | 751-11898 | Cylinder Head Gasket | 1 |
| 48 | 751-11899 | Tappet | 2 |
| 49 | 715-04090 | Dowel Pin | 2 |
| 52 | 951-11553 | Piston Ring Set | 1 |
| 53 | 951-11632 | Piston Pin Snap Ring | 2 |
| 54 | 751-11900 | Piston | 1 |
| 55 | 751-11901 | Piston Pin | 1 |
| 58 | 951-11573 | Connecting Rod Assembly | 1 |
| 59 | 951-11356 | Governor Arm Shaft | 1 |
| 60 | 736-04461 | Washer | 1 |
| 61 | 751-11902 | Governor Seal | 1 |
| 62 | 714-04074 | Cotter Pin | 1 |
| 63 | 951-11575 | Camshaft Assembly | 1 |
| 64 | 951-11369 | Radial Ball Bearing | 2 |
| 65 | 951-10307 | Flywheel Key | 1 |
| 66 | — | Crankshaft Assembly | 1 |
| 67 | 951-11576 | Governor Gear/Shaft Assembly | 1 |
| 68 | 715-04092 | Dowel Pin, 7 x 14 | 1 |
| 69 | 715-04096 | Dowel Pin, 9 x 14 | 1 |
| 70 | 951-11371 | Crankcase Cover Gasket | 1 |
| 71 | — | Cover Complete, Left Crankcase | 1 |
| 72 | 710-04932 | Cover Bolt | 7 |
| 73 | 951-11577 | O-Ring | 1 |
| 74 | — | Oil Fill Plug | 1 |
| 75 | 951-11368 | Oil Seal | 1 |
| 76 | — | Crankcase | 1 |
| 78 | 736-04440 | Washer | 1 |
| 79 | 710-04906 | Oil Drain Plug Washer | 1 |
| 80 | 951-11370 | Oil Seal | 2 |

| Ref. | Part No. | Description | Qty. |
|------|------------|----------------------------------|------|
| — | 751-12026 | Gasket Kit, External (Not Shown) | — |
| 5 | 951-11565 | Head Cover Gasket | 1 |
| 21 | 951-11285 | Muffler Gasket | 1 |
| 30 | 951-11567 | Carburetor Insulator Gasket | 1 |
| 31 | 951-11568 | Carburetor Insulator Plate | 1 |
| 32 | 751-11569A | Carburetor Gasket | 1 |
| 34 | 951-11571 | Carburetor Gasket Plate | 2 |
| 78 | 736-04440 | Washer | 1 |
| — | 951-11246 | Crankcase Cover Kit (Not Shown) | — |
| 64 | 951-11369 | Radial Ball Bearing | 1 |
| 70 | 951-11371 | Crankcase Cover Gasket | 1 |
| 71 | — | Case Cover | 1 |
| 72 | 710-04932 | Cover Bolt | 7 |
| 73 | — | O-Ring | 1 |
| 74 | — | Oil Fill Plug | 1 |
| 75 | 951-11368 | Oil Seal | 1 |
| — | 751-12030 | Crankshaft Kit (Not Shown) | — |
| 64 | 951-11369 | Radial Ball Bearing | 2 |
| 65 | 951-10307 | Flywheel Key | 1 |
| 66 | — | Crankshaft Assembly | 1 |
| 75 | 951-11368 | Oil Seal | 1 |
| 80 | 951-11370 | Oil Seal | 1 |

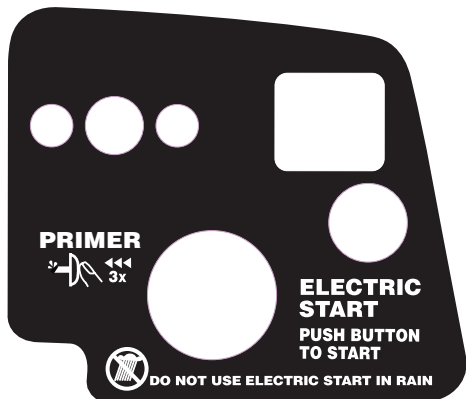
PARTS LIST

Craftsman Snow Thrower Model 247.88780

777122139



777123462



777S33731



777X43688



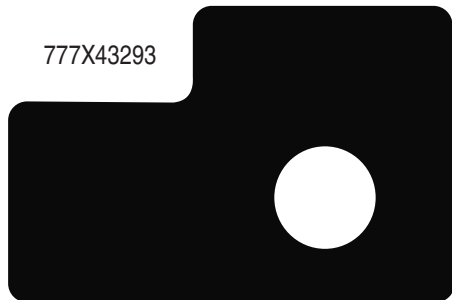
777S33118



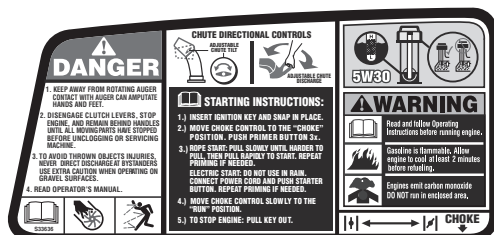
777S32236



777X43293



777S33636



777D14845



777122138



777D15192



777123463



Free Manuals Download Website

<http://myh66.com>

<http://usermanuals.us>

<http://www.somanuals.com>

<http://www.4manuals.cc>

<http://www.manual-lib.com>

<http://www.404manual.com>

<http://www.luxmanual.com>

<http://aubethermostatmanual.com>

Golf course search by state

<http://golfingnear.com>

Email search by domain

<http://emailbydomain.com>

Auto manuals search

<http://auto.somanuals.com>

TV manuals search

<http://tv.somanuals.com>