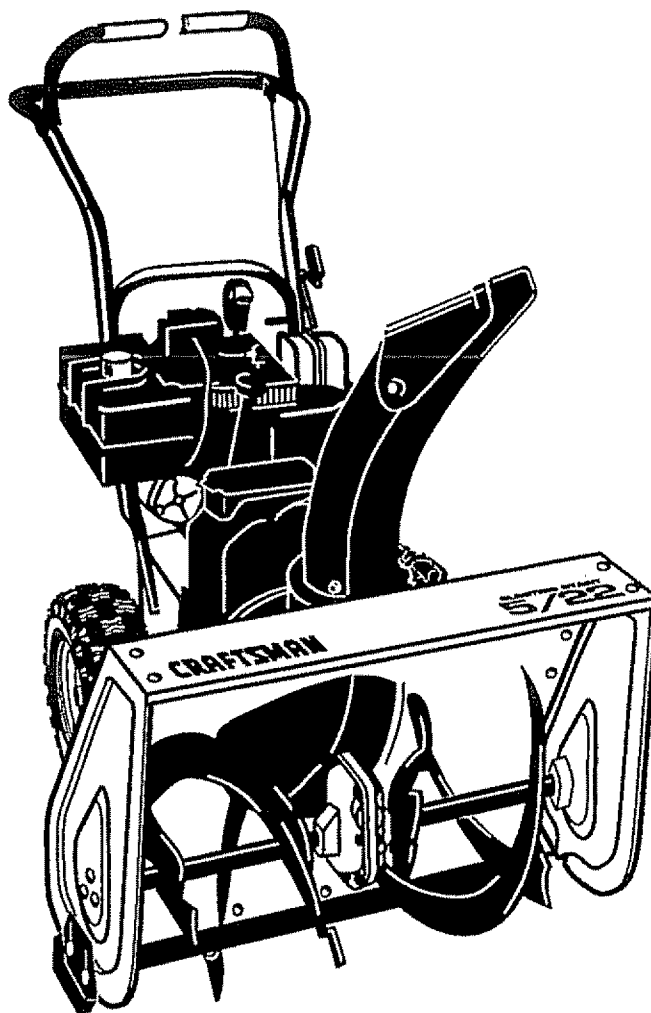


# CRAFTSMAN®

5.0 Horsepower  
22 Inch Dual Stage  
120V. Electric Start  
**SNOW THROWER**

MODEL NO.  
536.886141



**Caution:**  
Read and follow all Safety  
Rules and Operating  
Instructions before first use  
of this product.

SEARS, ROEBUCK AND CO., Hoffman Estates, IL 60179 U.S.A.

761900 07/06/98

SAFETY

ASSEMBLY

OPERATION

MAINTENANCE

PARTS LIST

ESPAÑOL

## TABLE OF CONTENTS

Table of Contents	2	Service and Adjustments	17-21
Warranty	2	Storage	22
Safety Rules	2-4	Troubleshooting	23
Contents of Shipping Carton	4-5	Repair Parts	24-32
Assembly	5-8	Engine Repair Parts	33-37
Operation	8-14	Spanish(Español)	38-62
Maintenance	14-16	Parts Ordering/Service	Back Cover

## WARRANTY STATEMENT

### LIMITED TWO-YEAR WARRANTY ON CRAFTSMAN SNOW THROWER

For two years from the date of purchase, when this Craftsman Snow Thrower is maintained, lubricated, and tuned up according to the operating and maintenance instructions in the owner's manual, Craftsman will repair, free of charge, any defect in material or workmanship. If this Craftsman Snow Thrower is used for commercial or rental purposes, this warranty applies for only 90 days from the date of purchase.

This warranty does not cover the following:

- Items which become worn during normal use, such as spark plugs, drive belts and shear pins.
- Repairs necessary because of operator abuse or negligence, including bent crank shafts and the failure to maintain the equipment according to the instructions contained in the owner's manual.

WARRANTY SERVICE IS AVAILABLE BY RETURNING THE CRAFTSMAN SNOW THROWER TO THE NEAREST CRAFTSMAN SERVICE CENTER/DEPARTMENT IN THE UNITED STATES. THIS WARRANTY APPLIES ONLY WHILE THIS PRODUCT IS IN USE IN THE UNITED STATES.

This warranty gives you specific legal rights, and you may also have other rights which may vary from state to state.

Sears, Roebuck and Co., D817WA, Hoffman Estates, IL 60179



## SAFETY RULES



Look for this symbol to point out important safety precautions. It means—**ATTENTION!!! Become alert!!! Your safety is involved.**



**CAUTION:** Always disconnect spark plug wire and place wire where it cannot contact spark plug to prevent accidental starting when setting-up, transporting, adjusting or making repairs.

**IMPORTANT:** Safety standards require operator presence controls to minimize the risk of injury. Your snow thrower is equipped with such controls. Do not attempt to defeat the function of the operator presence control under any circumstances.



### California Proposition 65

## WARNING:

The engine exhaust from this product contains chemicals known to the State of California to cause cancer, birth defects or other reproductive harm.

## TRAINING

1. Read the operator's manual carefully. Be thoroughly familiar with the controls and the proper use of the snow thrower. Know how to stop the snow thrower and disengage the controls quickly.
2. Never allow children to operate the snow thrower and keep them away while it is operating. Never allow adults to operate the snow thrower without proper instruction. Do not carry passengers.
3. Keep the area of operation clear of all persons, particularly small children and pets.
4. Exercise caution to avoid slipping or falling, especially when operating in reverse.

## PREPARATION

1. Thoroughly inspect the area where the snow thrower is to be used and remove all doormats, sleds, boards, wires and other foreign objects.

2. Disengage all clutches before starting the engine (motor).
  3. Do not operate the snow thrower without wearing adequate winter outer garments. Wear footwear that will improve footing on slippery surfaces.
  4. Handle fuel with care; it is highly flammable.
    - (a) Use an approved fuel container.
    - (b) Never remove fuel tank cap or add fuel to a running engine or hot engine.
    - (c) Fill fuel tank outdoors with extreme care. Never fill fuel tank indoors.
    - (d) Replace fuel tank cap securely and wipe up spilled fuel.
    - (e) Never store fuel or snow thrower with fuel in the tank inside of a building where fumes may reach an open flame or spark.
    - (f) Check fuel supply before each use, allowing space for expansion as the heat of the engine (motor) and/or sun can cause fuel to expand.
  5. Use extension cords and receptacles as specified by the manufacturer for all snow throwers with electric drive motors or electric starting motors.
  6. Adjust the snow thrower height to clear gravel or crushed rock surfaces.
  7. Never attempt to make any adjustments while the engine (motor) is running (except when specifically recommended by the manufacturer).
  8. Let engine (motor) and snow thrower adjust to outdoor temperatures before starting to clear snow.
  9. Always wear safety glasses or eye shields during operation or while performing an adjustment or repair to protect eyes from foreign objects that may be thrown from the snow thrower.
- ating on or crossing gravel drives, walks, or roads. Stay alert for hidden hazards or traffic.
  5. After striking a foreign object, stop the engine (motor), remove the wire from the spark plug, disconnect the cord on electric motors, thoroughly inspect the snow thrower for any damage, and repair the damage before restarting and operating the snow thrower.
  6. If the snow thrower should start to vibrate abnormally, stop the (motor) and check immediately for the cause. Vibration is generally a warning of trouble.
  7. Stop the engine (motor) whenever you leave the operating position, before unclogging the auger/impeller housing or discharge guide, and when making any repairs, adjustments, or inspections.
  8. When cleaning, repairing, or inspecting, make certain the auger/impeller and all moving parts have stopped. Disconnect the spark plug wire and keep the wire away from the plug to prevent accidental starting.
  9. Take all possible precautions when leaving the snow thrower unattended. Disengage the auger/impeller, stop engine, and remove key.
  10. Do not run the engine indoors, except when starting the engine and for transporting the snow thrower in or out of the building. Open the outside doors; exhaust fumes are dangerous (containing CARBON MONOXIDE, an ODORLESS and DEADLY GAS).
  11. Do not clear snow across the face of slopes. Exercise caution when changing direction on slopes. Do not attempt to clear steep slopes.
  12. Never operate the snow thrower without proper guards, plates or other safety protective devices in place.
  13. Never operate the snow thrower near glass enclosures, automobiles, window wells, drop-offs, and the like without proper adjustment of the snow discharge angle. Keep children and pets away.
  14. Do not overload the machine capacity by attempting to clear snow at too fast a rate.
  15. Never operate the snow thrower at high transport speeds on slippery surfaces. Look behind and use care when backing.
  16. Never direct discharge at bystanders or allow anyone in front of the snow thrower.

## OPERATION

1. Do not operate this machine if you are taking drugs or other medication which can cause drowsiness or affect your ability to operate this machine.
2. Do not use this machine if you are mentally or physically unable to operate this machine safely.
3. Do not put hands or feet near or under rotating parts. Keep clear of the discharge opening at all times.
4. Exercise extreme caution when oper-

17. Disengage power to the auger/impeller when snow thrower is transported or not in use.
18. Use only attachments and accessories approved by the manufacturer of the snow thrower (such as tire chains, electric start kits, etc.).
19. Never operate the snow thrower without good visibility or light. Always be sure of your footing, and keep a firm hold on the handles. Walk; never run.

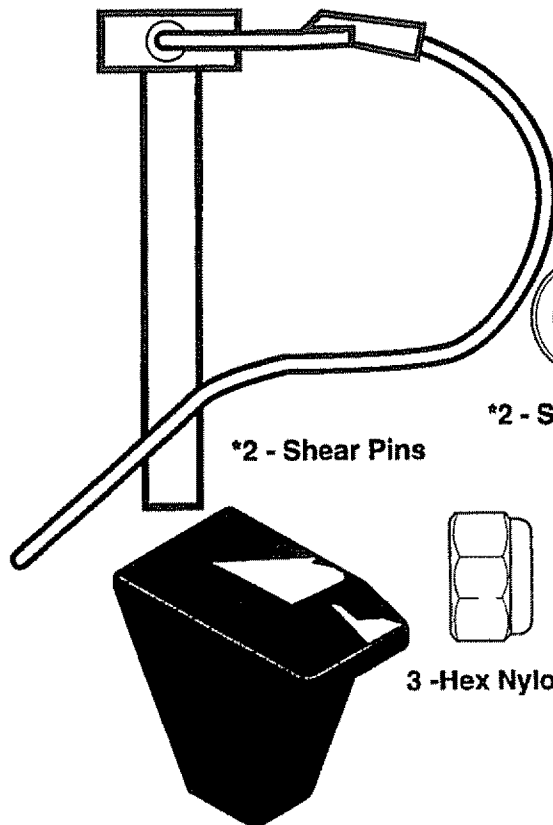
### MAINTENANCE AND STORAGE

1. Check shear bolts and other bolts frequently for proper tightness to be sure the snow thrower is in safe working condition.
2. Never store the snow thrower with fuel in the fuel tank inside a building where ignition sources are present such as hot water and space heaters, clothes dryers, and the like. Allow the engine to cool before storing in any enclosure.
3. Always refer to operator's manual instructions for important details if the snow thrower is to be stored for an extended period.

### Contents of Parts Bag (actual size)

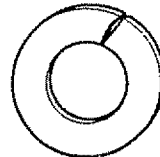
- 1 - Owner's Manual (not shown)
- 1 - Packet of Fuel Stabilizer (not shown)
- 1 - Warranty Card (not shown)
- 2 - Parts Bags (not shown)

\*Non-Assembly Parts, found in tool box located on belt cover.

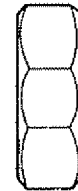


\*2 - Shear Pins

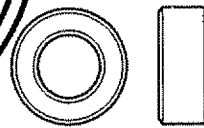
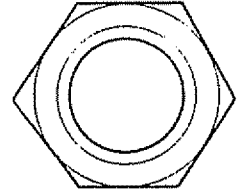
1- Shifter Knob



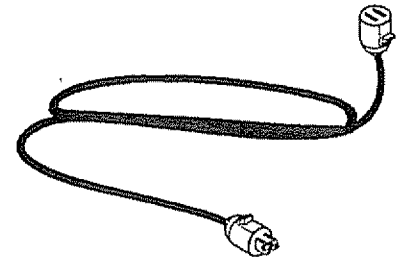
1 -Washer, Hvsptlk



1- Nut, 1/2-13 Hexjam



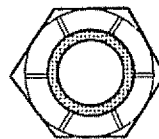
\*2 - Spare Spacers



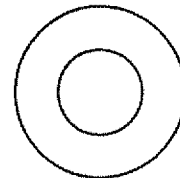
1 - Starter Motor Cord 10Ft.



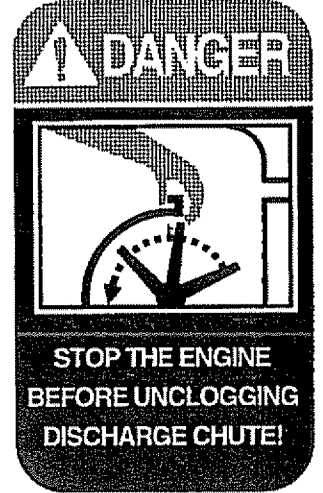
3 -Hex Nylon Nuts, 5/16-18



4 - Flatwashers 11/32 In.



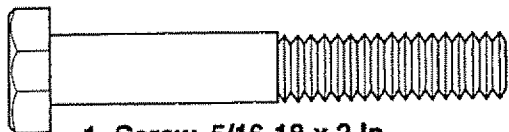
1- Nut, 5/16-18 Reghex



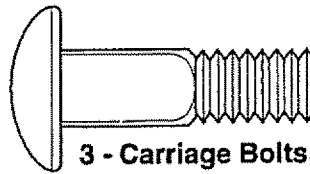
4. Maintain or replace safety and instruction labels, as necessary.
5. Run the snow thrower a few minutes after throwing snow to prevent freeze-up of the auger/impeller.

**⚠ WARNING:** This snow thrower is for use on sidewalks, driveways and other ground level surfaces.

Caution should be exercised while using on steep sloping surfaces. **DO NOT USE SNOW THROWER ON SURFACES ABOVE GROUND LEVEL** such as roofs of residences, garages, porches or other such structures or buildings.



1 - Screw, 5/16-18 x 2 In.



3 - Carriage Bolts, 5/16-18x1.00 In.

Parts packed separately in carton (not shown full size)

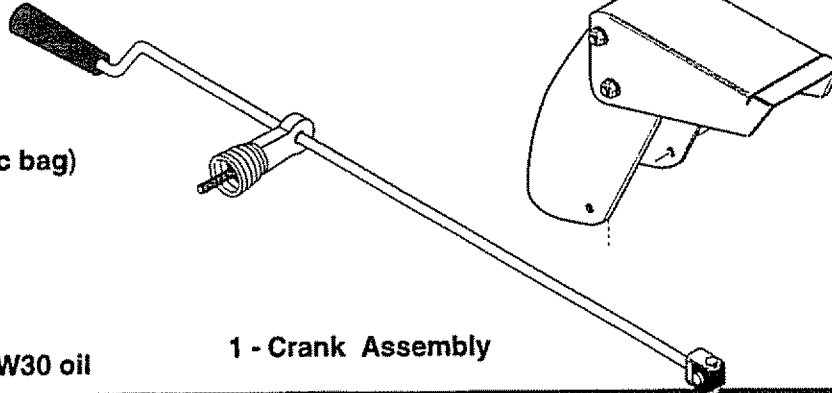


2 - Ignition Keys  
(Attached to engine in plastic bag)



1 - container 5W30 oil

1 - Snow Chute Assembly



1 - Crank Assembly

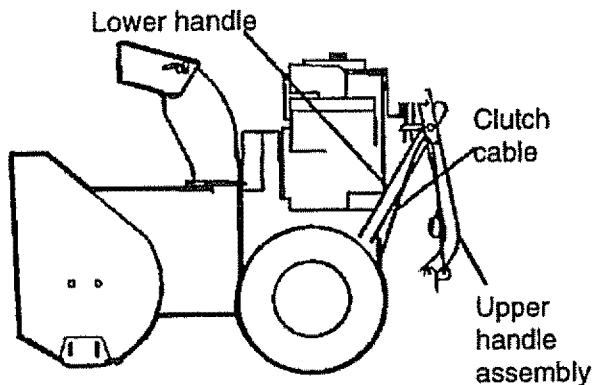
## ASSEMBLY

**CAUTION:** Always wear safety glasses or eye shields while assembling snow thrower.

### TOOLS REQUIRED FOR ASSEMBLY

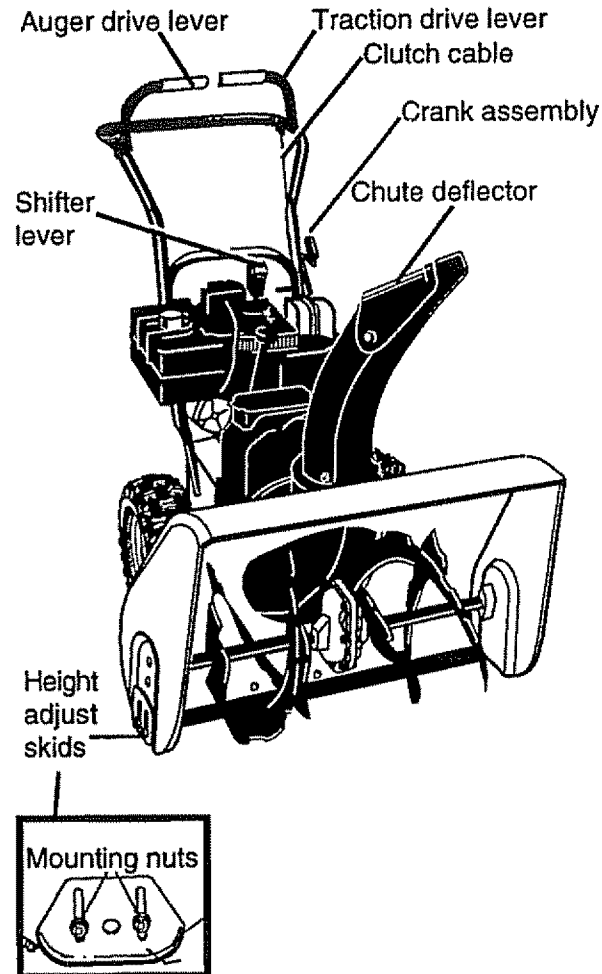
- 1 - Knife to cut carton and plastic ties
- 2 - 1/2 inch wrenches (or adjustable wrenches)
- 2 - 9/16 inch wrenches (or adjustable wrenches)
- 2 - 3/4 inch wrenches (or adjustable wrenches)
- 1 - Pliers (to spread cotter pin)
- 1 - Measuring tape or ruler

The figure below shows the snow thrower in the shipping carton.



The figure below shows the snow thrower completely assembled.

References to the right or left hand side of the snow thrower are from the viewpoint of the operator's position behind the unit.



## TO REMOVE SNOW THROWER FROM CARTON

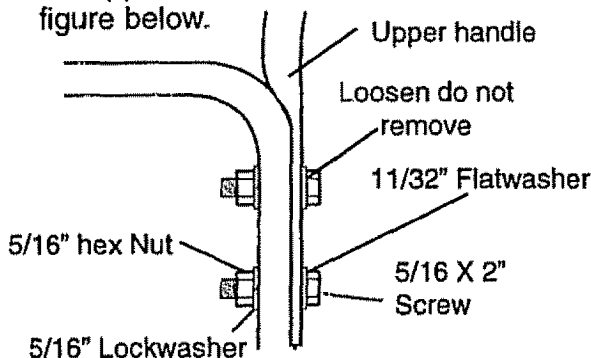
- Locate and remove container of 5W30 oil.
- Locate all parts packed separately and remove from the carton.

**NOTE:** Place fuel stabilizer in a safe place until needed for storage.

- Remove and discard the packing material from around the snow thrower.
- Cut all four corners of the carton from top to bottom and lay the panels flat.
- Roll the snow thrower off the carton by pulling on the lower handle. **CAUTION: DO NOT** back over cables.
- Remove the packing material from handle assembly and all plastic material on unit.
- Cut ties securing the clutch control cables to the lower handle and lay cables back away from the motor frame.

## TO INSTALL THE UPPER HANDLE AND CRANK ASSEMBLY

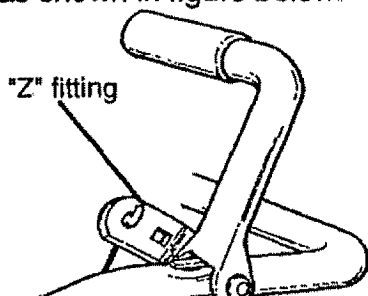
- Cut tie holding shift rod to lower handle and move shifter to the first(1) forward gear.
- Loosen, but do not remove the screws, flatwashers, lockwashers and hex nuts in the upper holes of the lower handle. See figure below.



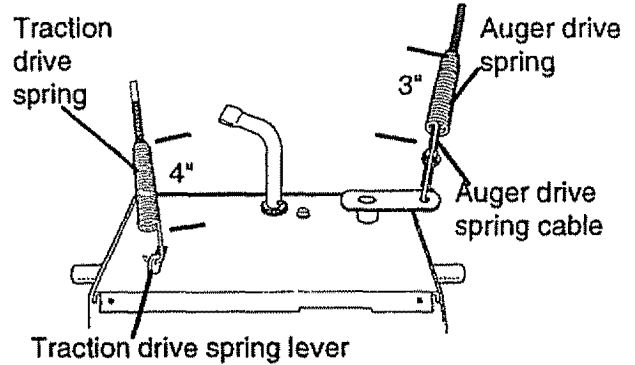
- Raise upper handle into operating position. Upper handle should be to the outside of the lower handle.

**NOTE:** Make sure the cables are not caught between the upper and lower handle.

**NOTE:** If the cables have become disconnected from the clutch levers, reinstall the cables as shown in figure below.

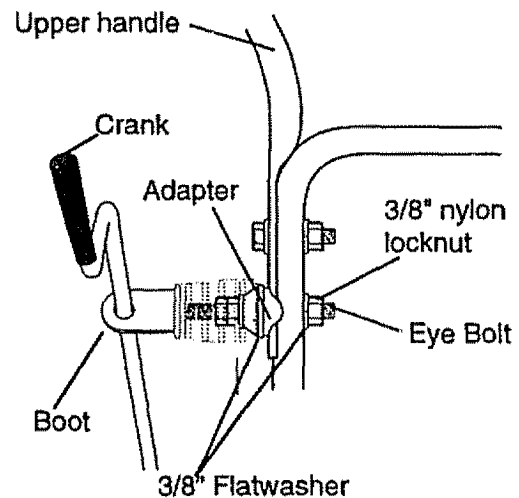


**NOTE:** If the cables have become disconnected, reinstall spring as shown in figure below.



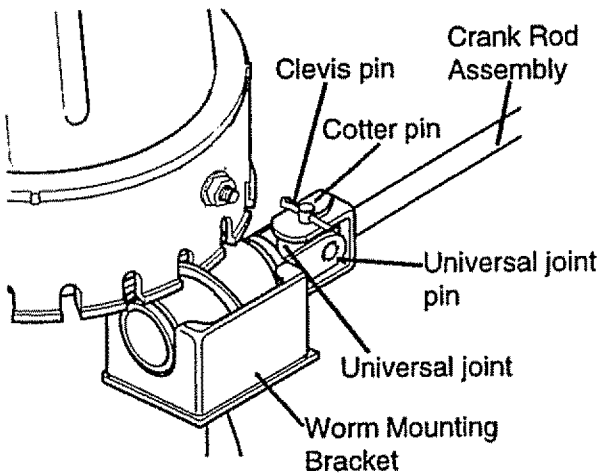
**NOTE:** Position cable through slot on shifter plate.

- Install hardware supplied in the parts bag (Screw, flatwasher, lockwasher, and hex nut) into lower hole on right hand side of handles. Do not tighten until all bolts are in place. See first figure on this page.
- Locate crank assembly removed earlier and remove the 3/8" nylon locknut and flatwasher from the eye bolt assembly. See figure below.
- Reinstall flatwasher and adapter. Install eye bolt through lower hole in the left hand side of the handle. See figure below.
- Install the 3/8" flatwasher and the 3/8" nylon locknut on the eye bolt as shown in figure below.



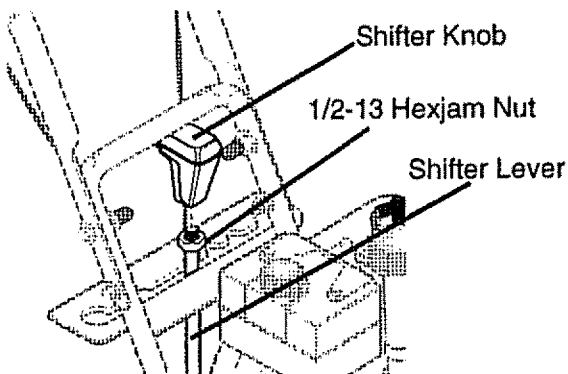
- Carefully remove cotter pin, clevis pin and universal joint pin from yoke end of crank rod assembly as shown in next figure.
- Place universal joint into end of worm gear lining up large holes. Insert universal joint pin (ensure opening in pin is in line with small openings in universal joint).

- Place yoke end of crank rod around universal joint, lining up openings. Insert clevis pin through assembly and secure with cotter pin. Spread ends of cotter pin with a pair of pliers to lock in place. See next figure.
- Tighten nut on eye bolt, keeping eye in line with the rod while tightening the inside securely.
- Tighten all handle bolts with a 1/2 inch wrench.



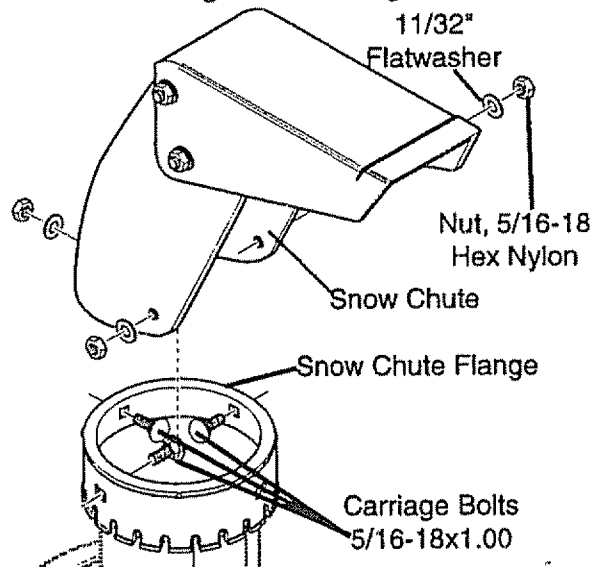
### TO INSTALL SHIFTER LEVER KNOB

- Thread the 1/2-13 hexjam nut found in the parts bag onto shifter lever. Thread the shifter lever knob onto the threaded end of the shifter lever until it is snug against the hexjam nut and the lip is pointed away from the engine. Tighten hexjam nut against the bottom of the shifter lever knob. See figure below.



### TO ASSEMBLE SNOW CHUTE

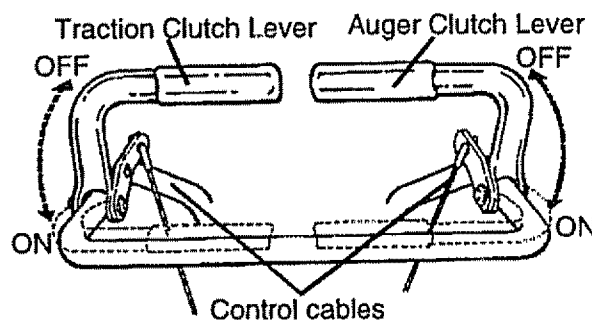
- Turn crank assembly counterclockwise until it stops.
- Locate three carriage bolts, flatwashers and nuts (found in parts bag). **DO NOT** remove carriage bolt over worm gear.
- Position snow chute on snow chute flange and align the three holes in the snow chute with holes in the snow chute flange as shown in figure below.
- Install 5/16-18x1.00 inch carriage bolts from inside of chute as shown in figure below, 11/32" flatwasher and 5/16-18 hex nylon nuts. **NOTE:** You may need to turn chute crank in order to get all bolts installed.
- Tighten carriage bolts securely. Be careful not to overtighten. See figure below.
- Turn crank assembly clockwise and make sure all carriage bolts are tight.



### TO CHECK/ADJUST CLUTCH CONTROL CABLES

The control cables attached to the auger clutch lever and traction clutch lever as shown in figure below may need to be adjusted before you use your snow thrower.

For instructions on checking or adjusting the control cables, (See To Adjust Clutch Control Cables paragraph on page17).



## HOW TO SET UP YOUR SNOW THROWER

- Your snow thrower is equipped with height adjust skids (see second figure on page 5) on the outside of the auger housing. To adjust the skid height for different conditions, (see To Adjust Skid Height paragraph on page 17).

## ✓ CHECKLIST

Before you operate your new snow thrower, to ensure that you receive the best performance and satisfaction from this quality product, please review the following checklist:

- ✓ All assembly instructions have been completed.
- ✓ The discharge chute rotates freely.
- ✓ No remaining loose parts in carton.

While learning how to use your snow thrower, pay extra attention to the following important items:

- ✓✓ Engine oil is at proper level.
- ✓✓ Make sure gas tank is filled properly with clean, fresh, unleaded gasoline.
- ✓✓ Become familiar with all controls-their location and function. Operate controls before starting engine.

## OPERATION

**Auger Drive Lever** – Starts and stops the auger and impeller (snow gathering and throwing).

**Traction Drive Lever** – Propels the snow thrower forward and in reverse.

**Speed Shifter Lever** – Selects the speed of snow thrower (6 speeds forward and 2 speeds reverse).

**Crank Assembly** – Changes the direction of snow throwing through the discharge chute.

**Chute Deflector** – Changes the distance the snow is thrown.

**Discharge Chute** – Changes the direction the snow is thrown.

**Height Adjust Skids** – Adjusts the ground clearance of the auger housing.

**Ignition Key** – Must be inserted to start the engine.

**Recoil Starter Handle** – Starts the engine manually.

**Choke Control** – Used to start a cold engine.

**Primer Button** – Injects fuel directly into the carburetor manifold for fast starts in cold weather.

**Throttle Control** – Controls the engine speed.

**Electric Starter Button** – Used to start the engine using the 120 V electric starter.

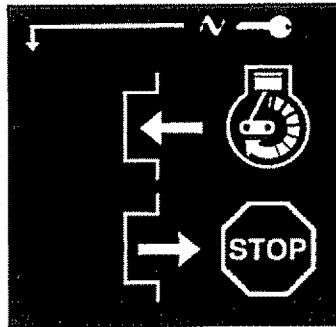
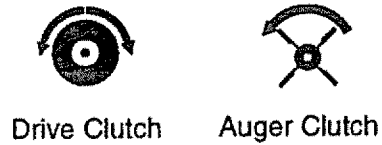
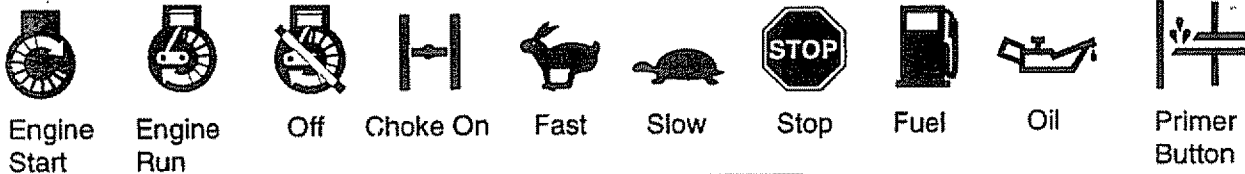
**Shear Bolt** – Shear bolts are designed to break (to protect the machine) if an object becomes lodged in the auger housing. Use of a harder bolt will destroy the protection provided by the shear bolt.

**Toolbox**- Spare shear pins and spacers are located in toolbox.

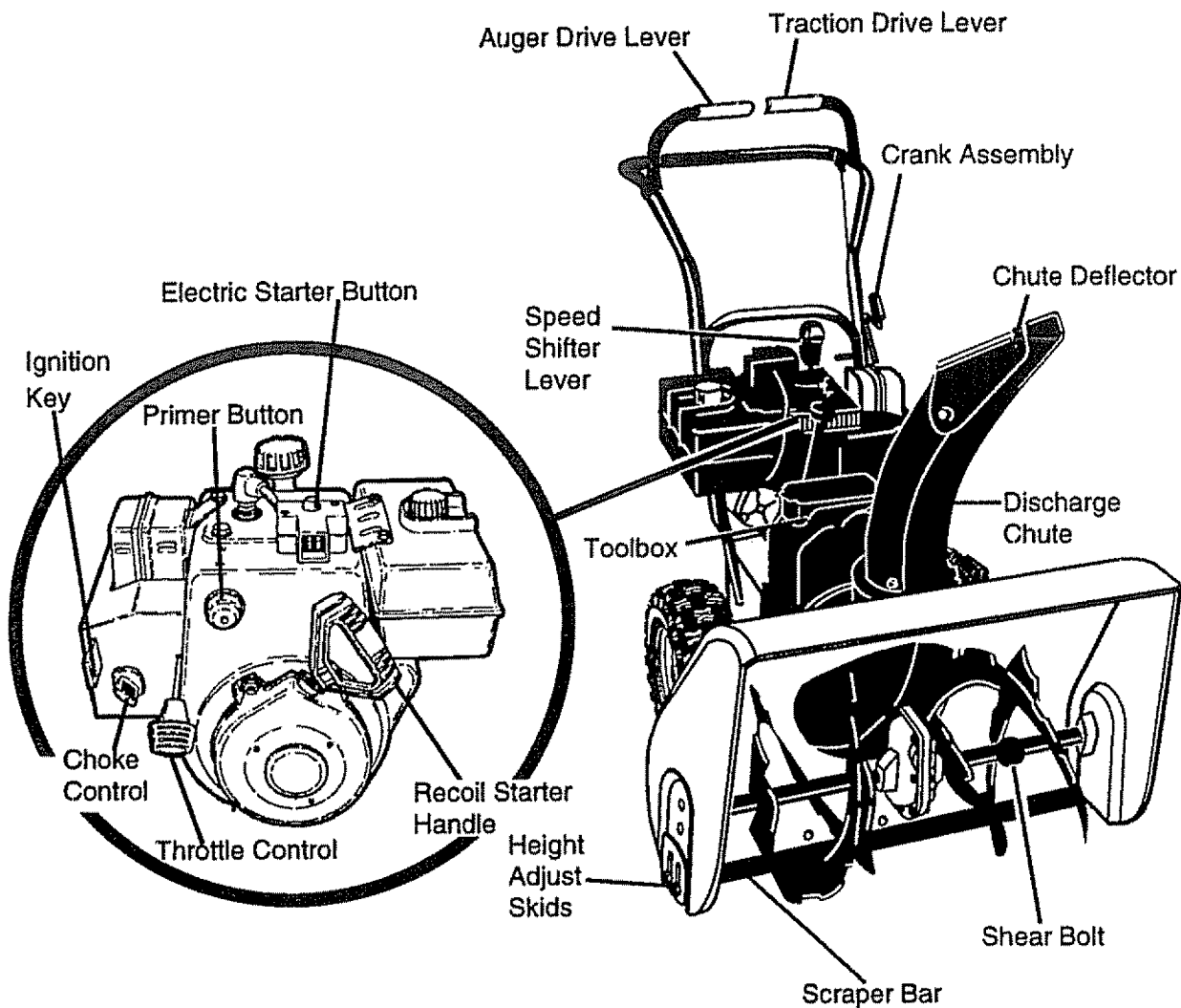


# KNOW YOUR SNOW THROWER

READ THIS OWNER'S MANUAL AND SAFETY RULES **BEFORE** OPERATING YOUR SNOW THROWER. Compare the illustrations with your SNOW THROWER to familiarize yourself with the location of various controls and adjustments. Save this manual for future reference.



Ignition Key  
insert to run  
pull out to stop



The operation of any snow thrower can result in foreign objects being thrown into the eyes, which can result in severe eye damage. Always wear safety glasses or eye shields while operating the snow thrower.

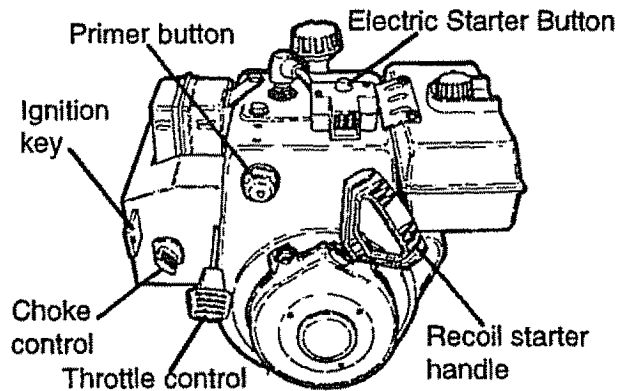
We recommend standard safety glasses or a wide vision safety mask for over your glasses, available at Craftsman Retail Stores or Service Centers.

**⚠ CAUTION:** Read owner's manual before operating machine. Never direct discharge toward bystanders. Release the auger control bar and stop the engine before unclogging discharge chute or auger housing and before leaving the machine.

## HOW TO USE YOUR SNOW THROWER

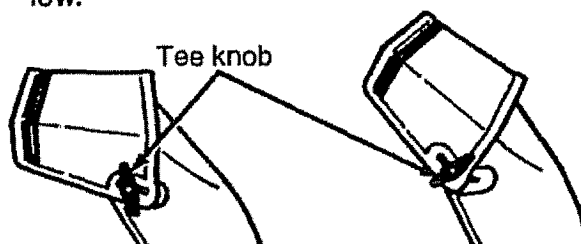
### TO STOP YOUR SNOW THROWER

- To stop throwing snow, release the auger drive lever (see third figure on this page).
- To stop the wheels, release the traction drive lever (see third figure on this page).
- To stop the engine, push the throttle control lever to off and pull out (**DO NOT TURN**) the ignition key, see figure below.



### TO CONTROL SNOW DISCHARGE

- Turn the crank assembly to set the **direction** of the snow throwing.
- Loosen the tee knob on the chute deflector and move the deflector to set the **distance**. Move the deflector (**UP**) for more distance, (**DOWN**) for less distance. Then tighten the tee knob, see figure below.



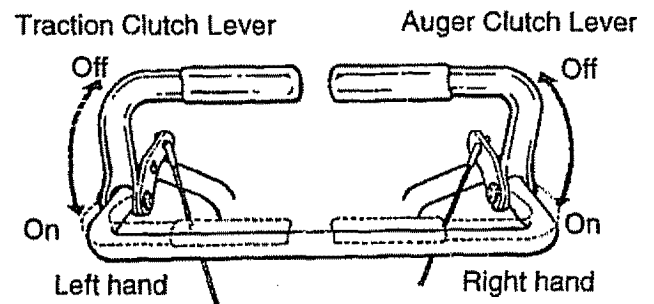
## TO MOVE FORWARD AND BACKWARD

- To shift, release the traction drive lever and move the speed shifter lever to the speed you desire. Ground speed is determined by snow conditions. Select the speed you desire by moving the speed shifter lever into the appropriate area on the speed selector.
  - Speeds 1, 2 - Wet, Heavy, Extra Deep
  - Speed 3 - Light
  - Speed 4 - Very Light
  - Speeds 5, 6 - Transport only
- Engage the traction drive lever as shown in figure below, left hand. As the snow thrower starts to move, maintain a firm hold on the handles, and guide the snow thrower along the clearing path. Do not attempt to push the snow thrower.
- To move the snow thrower backward, move the speed shifter lever into first or second reverse and engage the traction drive lever (left hand).

**IMPORTANT:** Never move the speed shifter lever while the traction lever is down.

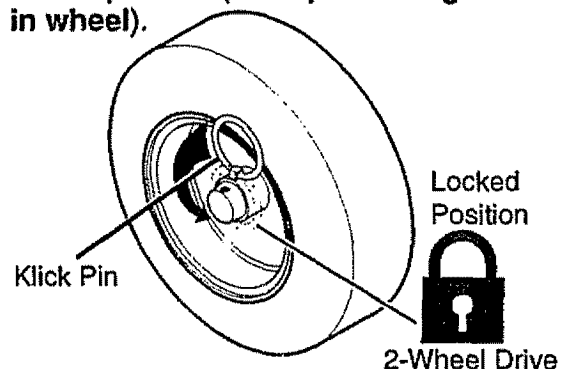
### TO THROW SNOW

- Push down the auger clutch lever, see figure below.
- Release to stop throwing snow.

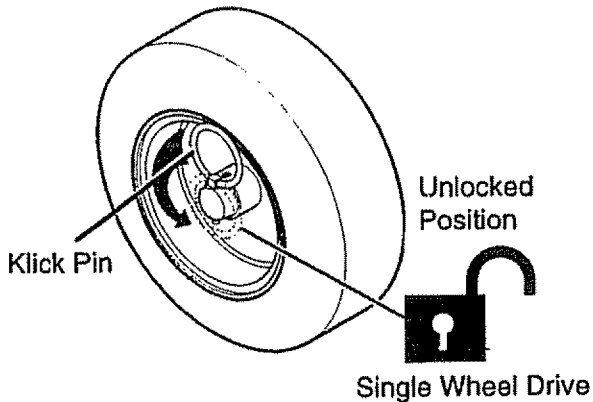


### TO USE WHEEL LOCKOUT PIN

- The left hand wheel is secured to the axle with a click pin see figure below. This unit was shipped with this click pin in the locked position (**click pin through hole in wheel**).



- For ease of maneuverability in light snow conditions, disconnect the klick pin from the wheel locked position and push into the single wheel drive (klick pin through axle hole only) position (see figure below).
- Make sure that the klick pin is in the single wheel drive position of the axle only and not through the locked position.



## BEFORE STARTING THE ENGINE

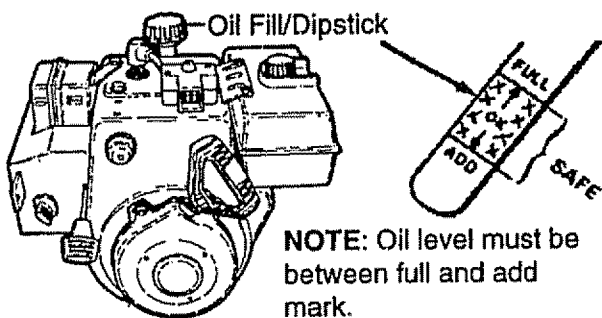
### FILL OIL

**NOTE:** Engine may already contain some residual oil. Check frequently when filling the crankcase. **Do not over fill.** This snow thrower was shipped with a 20 ounce container of 5W30 motor oil. This oil must be added to the engine before operating. Remove the oil fill cap/dipstick and fill the crank case to (FULL) line on dipstick (see next figure).

Tighten the fill cap/dipstick securely each time you check the oil level.

For extreme cold operating conditions of 0°F and below, use a partial synthetic 0W30 motor oil for easier starting.

**NOTE:** S.A.E. 5W30 motor oil may be used to make starting easier in areas where the temperature is 20° F. or lower.



**NOTE:** Oil level must be between full and add mark.

## FILL GAS

**NOTICE:** ENGINES WHICH ARE CERTIFIED TO COMPLY WITH CALIFORNIA AND US EPA EMISSION REGULATIONS FOR ULGE ENGINES: Are certified to operate on regular unleaded gasoline. Include the following emission control system(s): EM, TWC (if so equipped). Include any user adjustable features - therefore no other adjustments are needed.

**WARNING:** Experience indicates that alcohol blended fuels (called gasohol or those using ethanol or methanol) can attract moisture which leads to separation and formation of acids during storage. Acidic gas can damage the fuel system of an engine while in storage.

To avoid engine problems, the fuel system should be emptied before storage for 30 days or longer. Start the engine and let it run until the fuel lines and carburetor are empty. Use the carburetor bowl drain to empty residual gasoline from the float chamber. Use fresh fuel next season (see Storage instructions on page 22 for additional information).

Never use engine or carburetor cleaner products in the fuel tank or permanent damage may occur.

Fill the fuel tank with a fresh, clean, unleaded regular, unleaded premium, or reformulated automotive gasoline only. **DO NOT** use leaded gasoline. Be sure that the container you pour the gasoline from is clean and free from rust or other foreign particles. Never use gasoline that may be stale from long periods of storage in the container.

**CAUTION:** Gasoline is flammable and caution must be used when handling or storing it.

Do not fill fuel tank while snow thrower is running, when it is hot, or when snow thrower is in an enclosed area.

Keep away from open flame or an electrical spark and **DO NOT SMOKE** while filling the fuel tank.


**NEVER** fill the tank completely. **FILL THE TANK** to within 1/4" - 1/2" from the top to provide space for expansion of fuel.

Always fill fuel tank outdoors and use a funnel or spout to prevent spilling.

Make sure to wipe up any spilled fuel before starting the engine.

Store gasoline in a clean, approved container and keep the cap in place on the container.

## TO STOP ENGINE



- To stop engine, move the throttle control lever to  (STOP) position and remove key. Keep the key in a safe place. The engine will not start without the key.


**NOTE: DO NOT** turn key.

## TO START ENGINE (Electric Starter)

Be sure that the engine has sufficient oil. The snow thrower engine is equipped with a 120 volt A.C. electric starter and recoil starter. Before starting the engine, be certain that you have read the following information:

### COLD START

- Be sure the auger drive and traction drive levers are in the disengaged (released) position.
- Move the throttle control to  (FAST) position. See figure on page 9.
- Remove the keys from the plastic bag. Insert one key into the ignition slot. Be sure it snaps into place. **DO NOT TURN KEY.** Keep the second key in a safe place.
- Rotate the choke knob clockwise to  choke ON position. See figure on page 9.
- Connect the power cord to the switch box on the engine.

 **CAUTION:** This starter is equipped with a three-wire power cord and plug and is designed to operate on 120 volt AC household current. It must be properly grounded at all times to avoid the possibility of electrical shock, which may be injurious to operator. Follow all instructions carefully as set forth in the "To Start Engine" section. Determine that your house wiring is a three-wire grounded system. Ask a licensed electrician if you are not sure. If your house wire system is not a three-wire system, do not use this electric starter under any conditions. If your system is grounded and a three-hole receptacle is not available at the point your starter will normally be used, one should be installed by a licensed electrician. When connecting 120 volt AC power cord, always connect the cord to the switch box on the engine first, then plug the other end

into the three-hole grounded receptacle. When disconnecting power cord, always unplug the end in the three-hole grounded receptacle first.

- Plug the other end of the power cord into a three-hole, grounded 120 volt A.C. receptacle.
- Push the primer button while covering the vent hole as follows: (**Remove finger from primer button between primes**). See figure on page 9 for location.


Do not prime if temperature is above 50°F.

Two times if temperature is 50°F to 15°F.


Four times if temperature is below 15°F.

- Push down on the starter button until the engine starts. Do not crank for more than 10 seconds at a time. This electric starter is thermally protected. If overheated it will stop automatically and can be restarted only when it has cooled to a safe temperature (a wait of about 5 to 10 minutes is required).
- When the engine starts, release the starter button and move choke lever to "1/2 choke" position. When engine runs smoothly, move choke lever to "No Choke" Position.
- Disconnect the power cord from the receptacle first and then from the switch box on engine.

**NOTE:** Allow the engine to warm up for several minutes before blowing snow in temperatures below 0°F.

- Run the engine at full throttle  (FAST) when throwing snow.

## TO STOP ENGINE



- To stop engine, move the throttle control lever to  (STOP) position and remove key. Keep the key in a safe place. The engine will not start without the key.

**NOTE: DO NOT** turn key.

## TO START ENGINE (Recoil Starter)

Be sure that the engine has sufficient oil. The snow thrower engine is equipped with a recoil starter. Before starting the engine, be certain that you have read the following information:

## COLD START

- Be sure the auger drive and traction drive levers are in the disengaged (released) position.
- Move the throttle control to  (FAST) position. See figure on page 9 for location.
- Remove the keys from the plastic bag. Insert one key into the ignition slot. Be sure it snaps into place. **DO NOT TURN KEY.** Keep the second key in a safe place.
- Rotate the choke knob clockwise to  choke ON position. See figure on page 9.
- Push the primer button, see figure on page 9, while covering the vent hole as follows: (**Remove finger from primer button between primes**).


One time if temperature is above 50°F.

Two times if temperature is 50°F to 15°F.

Four times if temperature is below 15°F.

- Pull the recoil starter handle rapidly. Do not allow the handle to snap back, but allow it to rewind slowly while keeping a firm hold on the starter handle.
- As engine starts warm up move choke lever to "1/2 choke" position. When engine runs smoothly, move choke lever to "No Choke" Position

**NOTE:** Allow the engine to warm up for several minutes before blowing snow in temperatures below 0°F.

- Run the engine at full throttle  (FAST) when throwing snow.

## WARM START

If restarting a warm engine after a short shutdown, leave choke at (OFF) and do not push the primer button. If the engine fails to start, follow the Cold Start instructions above.

## FROZEN RECOIL STARTER


**If the starter is frozen and will not turn engine:**

- Pull as much rope out of the starter as possible.
- Release the starter handle and let it snap back against the starter.

If the starter still fails to turn engine, repeat the two previous steps until the starter engages. Then continue with the directions for cold start.


To help prevent possible freeze-up of recoil starter and engine controls, proceed as follows after each snow removal job.

- **With the engine running**, pull the starter rope hard with a continuous full arm stroke three or four times. Pulling of starter rope will produce a loud clattering sound. This is not harmful to the engine or starter.
- **With the engine not running**, wipe all snow and moisture from the carburetor cover in area of control levers. Also move throttle control, choke control, and starter handle several times.

 **CAUTION:** Never run engine indoors or in enclosed, poorly ventilated areas. Engine exhaust contains CARBON MON-OXIDE, AN ODORLESS AND DEADLY GAS. Keep hands, feet, hair and loose clothing away from any moving parts on engine and snow thrower.

**WARNING:** Temperature of muffler and nearby areas may exceed 150° F. Avoid these areas.

**DO NOT** allow children or young teenagers to operate or be near snow thrower while it is operating.

 **CAUTION:** Do not attempt to remove any item that may become lodged in auger without taking the following precautions:

- Release auger drive and traction drive levers.
- Move throttle lever to stop position.
- Remove (DO NOT TURN) ignition key.
- Disconnect spark plug wire.
- Do not place your hands in the auger or discharge chute. Use a pry bar.

## SNOW THROWING TIPS

- For maximum snow thrower efficiency in removing snow, adjust ground speed, **NEVER** the throttle. Go slower in deep, freezing, or wet snow. If the wheels slip, reduce forward speed. The engine is designed to deliver maximum performance at full throttle and should be run at this power setting at all times. Most efficient

snow blowing is accomplished when the snow is removed immediately after it falls.

- For complete snow removal, slightly overlap each path previously taken. Use more overlap in deep snow to prevent overloading.
- The snow should be discharged down wind whenever possible. In windy conditions, lower the chute deflector to direct discharged snow close to the ground, where it is less likely to blow into unwanted areas.
- For normal usage, set the skids so that the scraper bar is 1/8" above the skids. For extremely hard-packed snow surfaces, adjust the skids upward so that the scraper bar touches the ground.
- On gravel or crushed rock surfaces, set the skids at 1-1/4" below the scraper bar (See To Adjust Skids Height paragraph on page 17). Stones and gravel must not be picked up and thrown by the machine.
- After the snow throwing job has been completed, allow the engine to idle for a few minutes, which will melt snow and accumulated ice off the engine.
- Clean the snow thrower thoroughly after each use.
- Remove ice and snow accumulation and all debris from the entire snow thrower, and flush with water (if possible) to remove all salt or other chemicals. Wipe snow thrower dry.

### PRODUCT SPECIFICATIONS

HORSE POWER:	5HP
DISPLACEMENT:	12.04 cu. in.
GASOLINE CAPACITY:	2 quart (unleaded)
OIL (20 oz. Capacity):	5W-30
SPARK PLUG:	Champion RJ19LM (Gap .030) or Equivalent
VALVE CLEARANCE:	Intake: .010 In. Exhaust: .010 In.

## MAINTENANCE

### CUSTOMER RESPONSIBILITIES

SERVICE RECORDS Fill in dates as you complete regular service	SCHEDULE							SERVICE DATES				
	After first 2 Hours	Before Each Use	As Needed	Every 10 Hours	Every 25 Hours	Each Season	Before Storage					
Check Engine Oil Level		✓				✓						
Change Engine Oil					✓	✓						
Tighten all screws and nuts Check Traction Clutch Cable	✓	✓	✓									
Adjustment (See cable Adj)	✓					✓						
Replace Spark Plug					✓	✓						
Check Drive Belts						✓						
Lubricate all pivot points				✓			✓					
Drain Fuel							✓					
Check Auger Clutch Cable Adjustment (See Cable Adj)	✓					✓						
Lubricate Disc Drive Plate Zerk					✓		✓					

## GENERAL RECOMMENDATIONS

The warranty on this snow thrower does not cover items that have been subjected to operator abuse or negligence. To receive full value from the warranty, the operator must maintain the snow thrower as instructed in this manual. The maintenance chart is provided to assist the operator in properly maintaining the snow thrower.

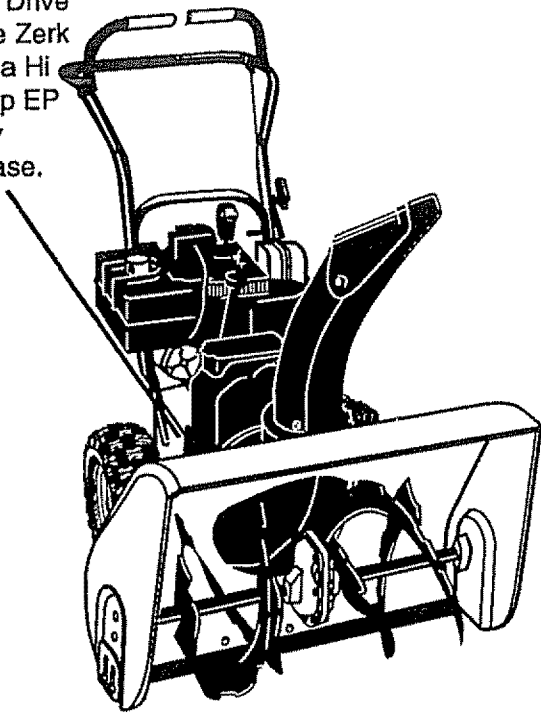
Some adjustments will need to be made periodically to properly maintain your snow thrower.

## AFTER FIRST USE

- Check for any loose or damaged parts.
- Tighten any loose fasteners.
- Check and maintain the auger.
- After each use, remove all snow and slush off the snow thrower to prevent freezing of auger or controls.
- Check controls to make sure they are functioning properly.
- If any parts are worn or damaged, replace immediately.

## LUBRICATION CHART

Lubricate Disc Drive Plate Zerk with a Hi Temp EP Moly Grease.



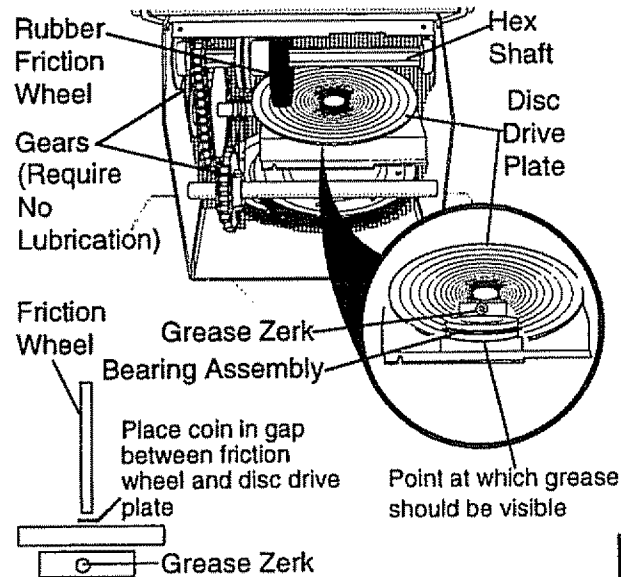
## SNOW THROWER

### LUBRICATION - EVERY 25 HOURS

- Lubricate Disc Drive Plate every twenty-five (25) hours and at the end of the season and/or before storage.

#### To Lubricate:

- Position speed selector lever in first gear.
- Stand the snow thrower up on the auger housing end.
- Remove the bottom panel (see second figure on page 19).



- Turn disc drive plate clockwise by hand until grease zerk is clearly visible at front center. See figure below.
- Place a coin or (a shim of equal thickness) between the rubber friction wheel and disc drive plate to prevent rubber friction wheel contacting the drive disc.
- To grease zerk, use a hand grease gun, lubricate with a Hi Temp EP Moly grease. See inset of second figure on this page. **DO NOT** over fill or allow grease to come in contact with the disc drive plate or friction wheel or damage will result. Fill zerk only until grease becomes visible below bearing assembly located under grease zerk. See inset in figure above.

**IMPORTANT:** Remove coin and ensure that a gap exists between friction wheel and disc drive plate.

**NOTE:** Clean all excess grease found on friction disc hub.

**CAUTION:** Do not allow grease to contact friction wheel and disc drive plate.

## LUBRICATION

- Hex Shaft and Gears - Hex shaft and gears require no lubrication. All bearings and bushings are lifetime lubricated and require no maintenance.

**NOTE:** Any greasing or oiling of the above components can cause contamination of the friction wheel. If the disc drive plate or friction wheel comes in contact with grease or oil, damage to the friction wheel will result.

Should grease or oil come in contact with the disc drive plate or friction wheel, be sure to clean the plate and wheel thoroughly.

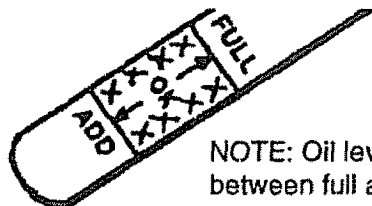
**NOTE:** For storage, the hex shaft and gears should be wiped with 5W-30 motor oil to prevent rusting. See second figure on page 15.

- Auger Gear Box - The auger gear box has been factory lubricated for life. If for some reason lubricant should leak out, have auger gear case checked by a competent repairman.

## ENGINE

### LUBRICATION

Check the crankcase oil level (see figure below) before starting the engine and after each five (5) hours of continuous use. Add S.A.E. 5W30 motor oil as needed. Tighten fill cap/dipstick securely each time you check the oil level.



**NOTE:** Oil level must be between full and add mark

## OIL RECOMMENDATION

Only use high quality detergent oil rated with API service classification SG. Select the oil's viscosity grade according to your expected operating temperature:

**NOTE:** For extreme cold operating conditions of 0° and below, use a partial synthetic 0W30 motor oil for easier starting.

**NOTE:** Although multi-viscosity oils improve starting in cold weather, these multi-viscosity oils will result in increased oil consumption when used above 32°F. Check your engine oil level more frequently to avoid possible engine damage from running low on oil.

Change the oil every 25 hours and at the beginning of each season.

- Position the snow thrower so that the oil drain plug is at the lowest point on the engine. Remove the oil drain plug and the oil fill cap/dipstick. Drain the oil into a suitable container. Oil will drain more freely when warm.
- Replace the oil drain plug and tighten securely.

## SPARK PLUG

- Make sure that the spark plug is tightened securely into the engine and the spark plug wire is attached to the spark plug.
- If a torque wrench is available, torque plug to 18 to 23 foot pounds.
- Clean the area around the spark plug base before removal to prevent dirt from entering the engine.
- Clean the spark plug and reset the gap periodically at .030 inch.

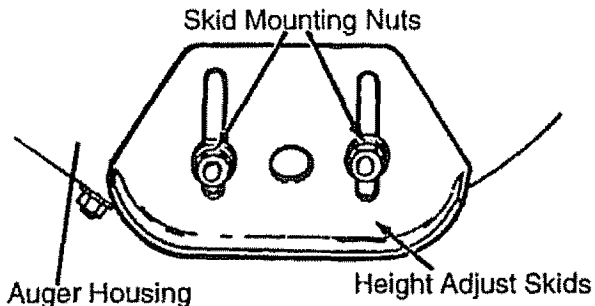


## SERVICE AND ADJUSTMENTS

**⚠ CAUTION:** Always disconnect the spark plug wire and tie back away from the plug before making any adjustments or repairs.

### TO ADJUST SKID HEIGHT

This snow thrower is equipped with two height adjustment skids, located on the outside of the auger housing (see figure below). These skids elevate the front of the snow thrower.



For normal hard surfaces, adjust the skids as follows:

- Check tire pressure (**14 to 17 pounds**).
- Place the extra shear bolts supplied (found in parts bag) under each end of the scraper bar near but not under the skid.
- Loosen the skid mounting nuts (see figure above) and adjust the skids up to bring the front of the snow thrower down. Retighten the mounting nuts.
- Set the skid on the other side at the same height.

For rocky or uneven surfaces, adjust the skids as follows:

- Raise the front of the snow thrower by moving the skids down. This will help prevent rocks and other debris from being picked up and thrown by the auger.

### TO ADJUST SCRAPER BAR

After considerable use, the metal scraper bar will have a definite wear pattern. The scraper bar may have to be returned to its original lower setting to maintain the original performance level. To adjust:

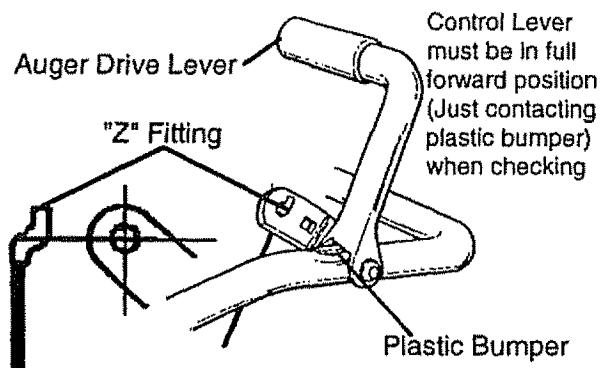
- Position the snow thrower on a level surface.
- Make sure both tires are equally inflated. Proper tire pressure is 14 to 17 PSI. See side of tire for maximum inflation. Do not exceed sidewall maximum pressure on tire.

- Loosen the carriage bolts and nuts securing the scraper bar to the auger housing.
- Adjust the scraper bar to the proper position.
- Tighten the carriage bolts and nuts, making sure that the scraper bar is parallel with the working surface.
- For extended operation, the scraper bar may be reversed. If the scraper bar must be replaced due to wear, remove the carriage bolts and nuts and install a new scraper bar.

**CAUTION:** Be certain to maintain proper ground clearance for your particular area to be cleared. Objects such as gravel, rocks or other debris, if struck by the impeller, may be thrown with sufficient force to cause personal injury, property damage or damage to the snow thrower.

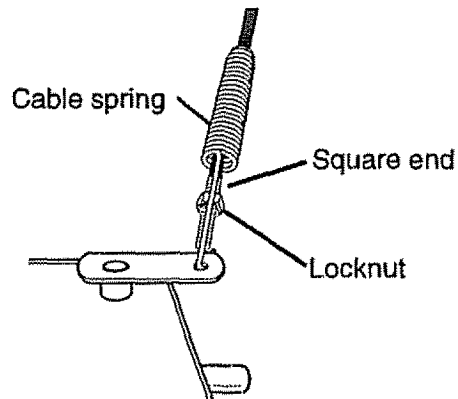
### TO ADJUST THE CLUTCH CONTROL CABLES

Periodic adjustment of the cables may be required due to normal stretch and wear on the belts. To check for correct adjustment, the control lever must be in the full forward position, resting on the plastic bumper. The control cables are correctly adjusted when the center of the "Z" fitting is in the center of the hole and there is no droop in the cable. See figure below.



If adjustment is necessary:

- Remove fuel from tank, and stand blower on end.
- Disconnect the "Z" fitting from drive lever.
- Pull rubber boot off the top of the spring. Push the cable through the spring (see first figure on page 18) to expose the threaded portion of the cable.



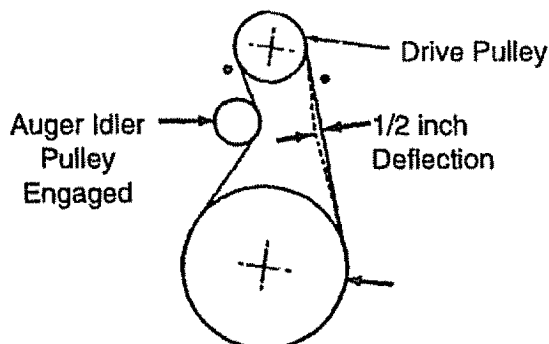
- Hold the square end of the threaded portion with pliers and adjust the locknut in or out until the excess slack is removed.
- Pull the cable back through the spring and connect the cable. Do the same for the other lever cable, if needed.

**NOTE:** Whenever the traction drive or auger belts are adjusted or replaced, the cables will need to be adjusted.

### TO ADJUST BELTS AUGER DRIVE BELT

If your snow thrower will not discharge snow, or a squealing noise is heard when the snowthrower is put into deep snow, your auger idler pulley may need to be adjusted.

- Check the control cables for proper adjustment. (See section for Clutch Control Cable Adjustment on page 17).
- If the cables are adjusted correctly then proceed with adjusting the idler pulley.
- Disconnect the spark plug wire.
- Remove the belt cover. (See last figure on this page)
- With a 9/16" wrench, loosen the nut on the idler pulley. Move the idler pulley in toward the engine pulley approximately 1/8".
- Tighten nut.
- Press the auger drive lever. Check the tension on the belt (opposite auger idler pulley). The belt should deflect about 1/2" with moderate pressure (see figure below).
- Reinstall the belt cover.



### TRACTION DRIVE BELT

The traction drive belt (see figure below) has constant spring pressure and does not require adjustment.

- Replace the traction drive belt if its is slipping (see To Preplace Belts paragraph on this page).

### TO REPLACE BELTS

The drive belts on this snow thrower are of special construction and should be replaced with original equipment belts available from your nearest Craftsman Store or Service Center.

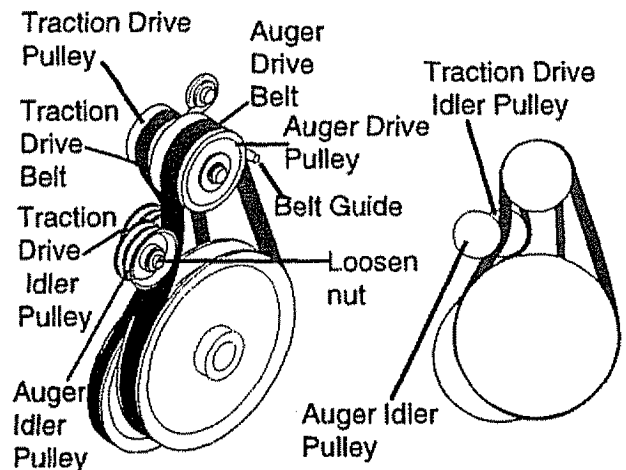
You will need the assistance of a second person while replacing the belts.

Drain the gasoline from the fuel tank by removing the fuel line at the carburetor. Drain the gas into a container and reinstall the fuel line.

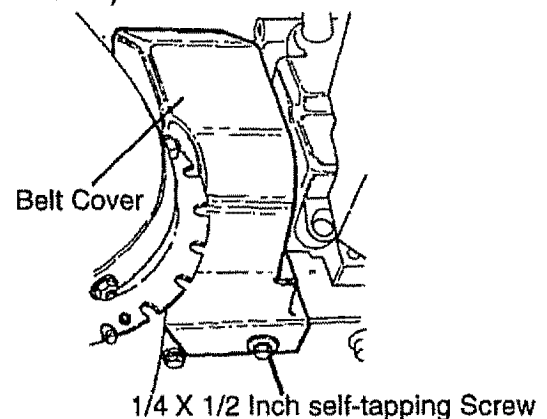
**CAUTION:** Drain the gasoline outdoors, away from fire or flame.

### AUGER DRIVE BELT

If your snow thrower will not discharge snow, and the auger drive belt (see figure below) is damaged, replace it as follows:



- Disconnect the spark plug wire.
- Remove the belt cover (see figure below).



- Loosen the belt guide (see third figure on page 18) and pull away from the engine drive pulley.
- Loosen nut on the auger idler pulley (see third figure on page 18) and pull idler pulley away from the belt.
- Remove top two bolts that secure auger housing to motor mount frame. Loosen bottom two bolts. Auger housing and motor mount frame will separate, hinged by bottom two bolts.
- Remove old belt from the auger drive pulley.
- Install the original equipment replacement belt in reverse order of removal.
- Position drive belt onto the auger drive pulley.
- Adjust the belt guide (see To Adjust The Belt Guides paragraph on this page).
- Reinstall the belt cover.
- Check clutch control cable adjustment, see page 17.
- Reconnect spark plug wire.

## TRACTION DRIVE BELT

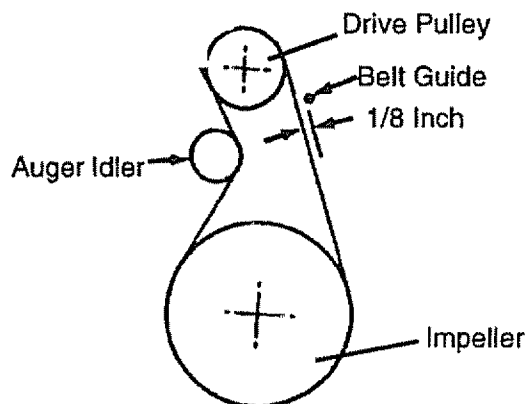
If your snow thrower will not move forward, check the traction drive belt (see third figure on page 18) for wear (Check other causes also in the Trouble Shooting Points section). If the traction drive belt needs to be replaced, proceed as follows:

- Disconnect the spark plug wire.
- Remove the belt cover (see last figure on page 18).
- Loosen the belt guide and pull away from engine drive pulley (see third figure on page 18).
- Loosen nut on auger idler and pull auger idler pulley away from belt. Note location of idler pulley for later re-installation.
- Remove auger drive belt from engine pulley.
- Pull the idler pulley away from the drive belt, allowing belt to be positioned onto engine pulley.
- Release idler pulley. Ensure idler pulley is properly engaged with belt.
- Reinstall auger drive belt.
- Adjust belt guide (see To Adjust The Belt Guide paragraph).
- Adjust idler on auger belt.
- Reinstall the belt cover.
- Reconnect the spark plug wire.

## TO ADJUST THE BELT GUIDE

After you replace the traction or auger drive belt, you need to adjust one or both of the belt guides. Proceed as follows:

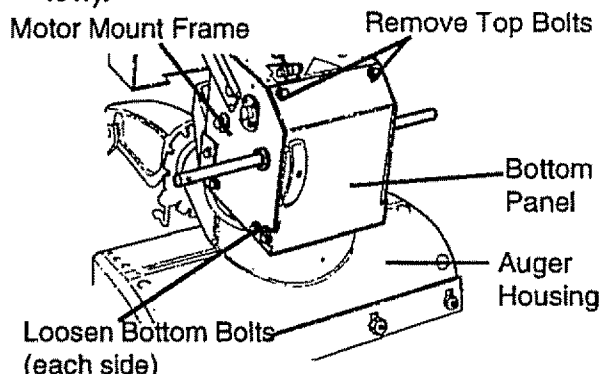
- Disconnect the spark plug wire.
- Remove the belt cover (See last figure on page 18).
- Engage the auger drive clutch lever.
- Measure the distance between the belt guides and the belt (See next figure). The distance should be 1/8" for the guide.
- If adjustment is necessary, loosen the belt guide mounting bolt. Move the belt guide to the correct position. Tighten the mounting bolt.
- Reinstall the belt cover.
- Reconnect the spark plug wire.



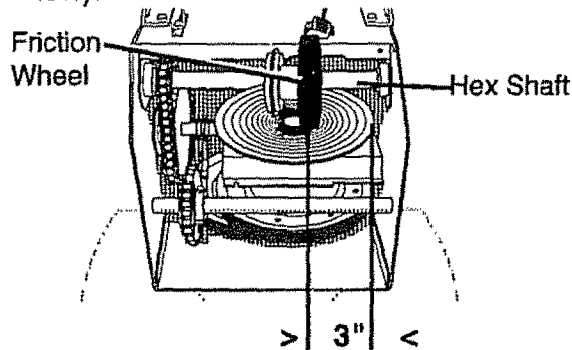
## TO ADJUST THE FRICTION WHEEL

If the snow thrower will not move forward, you need to check the traction drive belt, the traction drive cable or the friction wheel. If the friction wheel is damaged, it will need to be replaced (see the To Replace Friction Wheel paragraph on page 20). If the friction wheel is not worn, check the adjustment, as follows:

- Disconnect the spark plug wire.
- Drain the gasoline from the gas tank.
- Stand snow thrower on the auger housing end.
- Remove the bottom panel (see figure below).

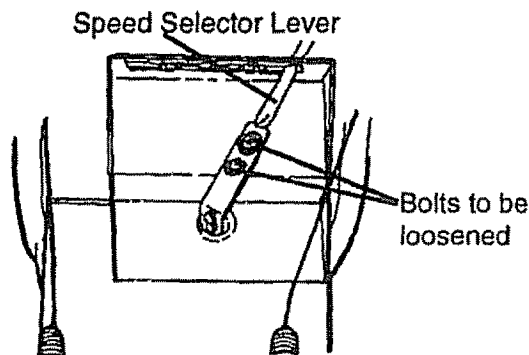


- Position the shifter lever in first (1) forward gear.
- Note the position of the friction wheel on the disc drive plate. The right outer side of the disc drive plate should be 3" from the center of the friction wheel (See figure below).



**If adjustment is necessary:**

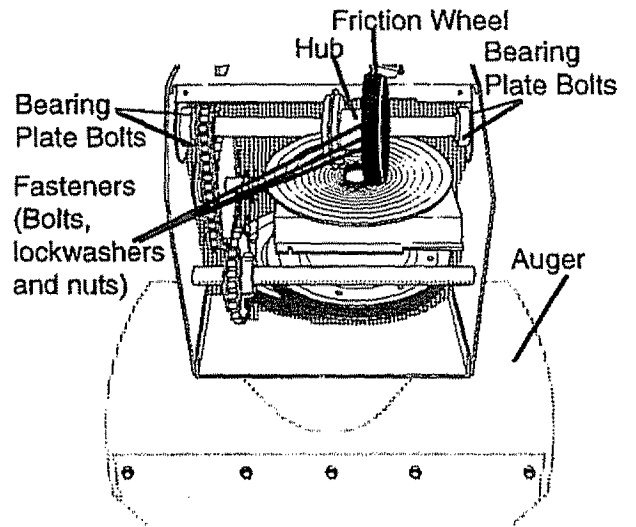
- Loosen bolts in speed selector lever (see figure below).



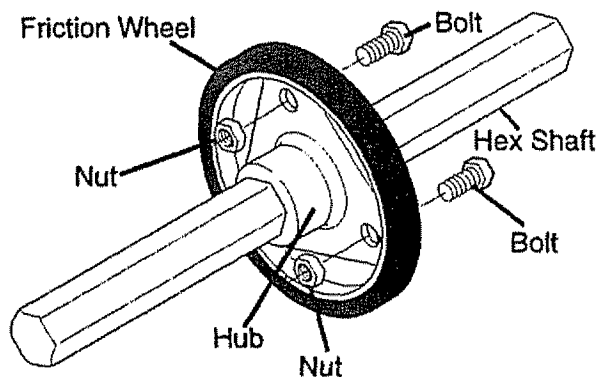
**TO REPLACE FRICTION WHEEL**

If the snow thrower will not move forward, and the friction wheel is worn or damaged, you need to replace it as follows: (First allow the engine to cool).

- Drain the gasoline from the fuel tank.
- Drain the fuel in a container and reinstall the fuel line.
- Disconnect the spark plug wire.
- Stand the snow thrower up on the auger housing end (see first figure, next column).



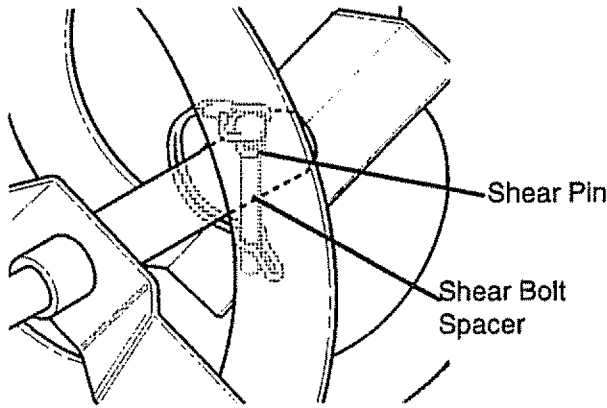
- Remove the bottom panel (see last figure on page 19).
- Remove the three (3) fasteners securing the friction wheel to the hub (see figure above).
- Remove the four bolts securing the bearing plates (**both sides**), (see figure above).
- Remove right side bearing plate. Leave hex shaft in original position.
- Remove friction wheel from hub. Slip friction wheel off hex shaft towards right side. See figure below.
- Position new friction wheel onto hub. See figure below.




- Install bearing plates to original position. Ensure hex shaft is engaged with both bearing plates.
- Secure bearing plates, using bolts removed earlier.

## TO REPLACE AUGER SHEAR BOLT

The augers are secured to the auger shaft with special bolts (see figure below) that are designed to break (to protect the machine) if an object becomes lodged in the auger housing. Use of a harder bolt will destroy the protection provided by the shear bolt.



**IMPORTANT:** To ensure safety and performance levels, only original equipment shear bolts should be used. When replacing shear bolts, be sure to replace shear bolt spacers. To replace a broken shear bolt, proceed as follows:

- Move the throttle to  (**STOP**) and turn off all controls.
- Disconnect the spark plug wire. Be sure all moving parts have stopped.
- Align the hole in the auger tube with the hole in the auger shaft. Install the new shear pin and shear bolt spacer found in toolbox on top of belt cover.

**NOTE:** Spacer fits inside the larger hole in the auger tube.

- Reconnect the spark plug wire.

## TO ADJUST CARBURETOR

If you think your carburetor needs adjusting, see your nearest Authorized Craftsman Service Center. Engine performance should not be affected at altitudes up to 7,000 feet. For operation at higher elevations, contact your Authorized Craftsman Service Center.

**IMPORTANT:** Never tamper with the engine governor, which is factory set for proper engine speed. Overspeeding the engine above the factory high speed setting can be dangerous. If you think the engine-governed high speed needs adjusting, contact your nearest Craftsman Service Center, which has the proper equipment and experience to make any necessary adjustments.

## TO ADJUST OR REPLACE THE SPARK PLUG

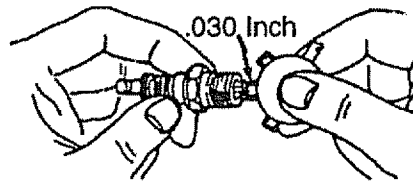
**NOTICE:** This spark ignition system meets all requirements of the Canadian Interference-Causing Equipment Regulations.

**NOTICE:** This engine complies with all current Australian and New Zealand limitations regarding electromagnetic interference. If you have difficulty starting your snow thrower, you may need to adjust or replace the spark plug. Follow the instructions below.

Replace the spark plug if the electrodes are pitted or burned or if the porcelain is cracked.

### TO ADJUST:

- Clean the spark plug by carefully scraping the electrodes (do not sand blast or use a wire brush).
- Be sure the spark plug is clean and free of foreign material. Check the electrodes gap (see figure below) with a wire feeler gauge and reset the gap to .030 inch if necessary.



### TO REPLACE:

- If you need a new spark plug, use only the proper replacement spark plug (See page 14).
- Set the gap to .030 inches.
- Before installing the spark plug, coat its threads lightly with oil or grease to insure easy removal.
- Tighten the plug firmly into the engine.
- If a torque wrench is available, torque the plug to 18 to 23 ft. - lbs.

## STORAGE

**⚠ CAUTION:** Never store your snow thrower indoors or in an enclosed, poorly ventilated area if gasoline remains in the tank. fumes may reach an open flame, spark or pilot light from a furnace, water heater, clothes dryer, cigarette, etc.

To prevent engine damage (if snow thrower is not used for more than 30 days) follow the steps below.

### SNOW THROWER STORAGE

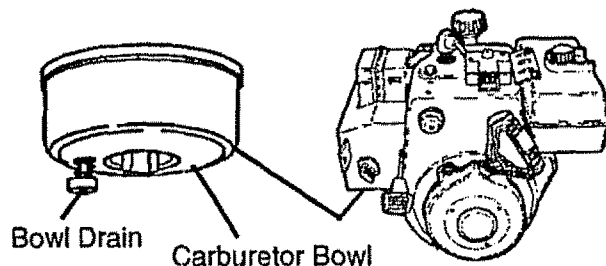
- Thoroughly clean the snow thrower.
- Lubricate all lubrication points (See the Maintenance section on pages 14-16).
- Be sure that all nuts, bolts and screws are securely fastened. Inspect all visible moving parts for damage, breakage and wear. Replace if necessary.
- Touch up all rusted or chipped paint surfaces; sand lightly before painting.
- Cover the bare metal parts of the blower housing auger and the impeller with rust preventative, such as a spray lubricant.

**NOTE:** A yearly checkup or tune-up by a Craftsman Service Center is a good way to insure that your snow thrower will provide maximum performance for the next season.

### ENGINE STORAGE

Gasoline must be removed or treated to prevent gum deposits from forming in the tank, filter, hose, and carburetor during storage. Also during storage, alcohol blended gasoline that uses ethanol or methanol (sometimes called gasohol) attracts water. It acts on the gasoline to form acids which damage the engine.

- To remove gasoline, run the engine until the tank is empty and the engine stops. Then drain remaining gasoline from carburetor by pressing upward on bowl drain located on the bottom of carburetor (see figure below).



- If you do not want to remove gasoline, use fuel stabilizer supplied with unit or purchase Craftsman Fuel Stabilizer No. 33500. Add fuel stabilizer to any gasoline left in the tank to minimize gum deposits and acids. If the tank is almost empty, mix stabilizer with fresh gasoline in a separate container and add some to the tank.

Always follow instructions on stabilizer container. Then run engine at least 10 minutes after stabilizer is added to allow mixture to reach carburetor. Store snow thrower in a safe place. See Warning above.

You can keep your engine in good operating condition during storage by:

- Changing oil (See page 16).
- Lubricating the piston/cylinder area. This can be done by first removing the spark plug and squirting a few drops of clean engine oil into the spark plug hole. Then cover the spark plug hole with a rag to absorb oil spray. Next, rotate the engine by pulling the starter rope fully out two or three times. Finally, reinstall spark plug and attach spark plug wire.

### OTHER

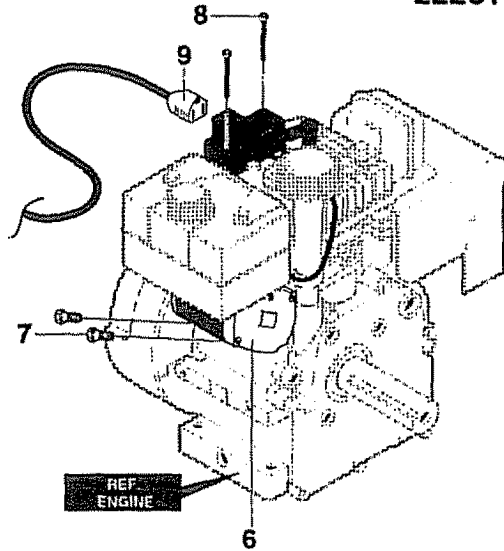
- If possible, store your snow thrower indoors and cover it to give protection from dust and dirt.
- If the machine must be stored outdoors, block up the snow thrower to be sure the entire machine is off the ground.
- Cover the snow thrower with a suitable protective cover that does not retain moisture. Do not use plastic or vinyl.

**IMPORTANT:** Never cover snow thrower while engine and exhaust areas are still warm.

## TROUBLE SHOOTING

TROUBLE	CAUSE	CORRECTION
Difficult starting	Defective spark plug Water or dirt in fuel system	Replace defective plug Use carburetor bowl drain to flush and refill with fresh fuel
Engine runs erratically	Blocked fuel line or low on fuel	Clean fuel line; check fuel supply; add fresh gasoline (gasoline/oil mixture if 2-cycle engine)
Engine stalls	Unit running on CHOKE	Move choke lever to OFF position
Engine runs erratically; or Loss of power	Water or dirt in fuel system	Use carburetor bowl drain to flush and refill with fresh fuel
Excessive vibration	Loose parts; damaged impeller	Stop engine immediately and disconnect spark plug wire. Tighten all bolts and make all necessary repairs. If vibration continues, have the unit serviced by a Craftsman service repairman
Units fails to propel itself	Drive belt loose or damaged Incorrect adjustment of auger control cable Worn or damaged friction wheel	Replace drive belt Adjust traction drive cable Repair friction wheel
Unit fails to discharge snow	Auger drive belt loose or damaged Auger control cable not adjusted correctly Shear bolt broken Discharge chute clogged Foreign object lodged in auger	Replace auger belt Adjust auger control cable Replace with shear pin located in tool box on belt cover. Stop engine immediately and disconnect spark plug wire. Clean discharge chute and inside of auger housing. Stop engine immediately and disconnect spark plug wire. Remove object from auger.

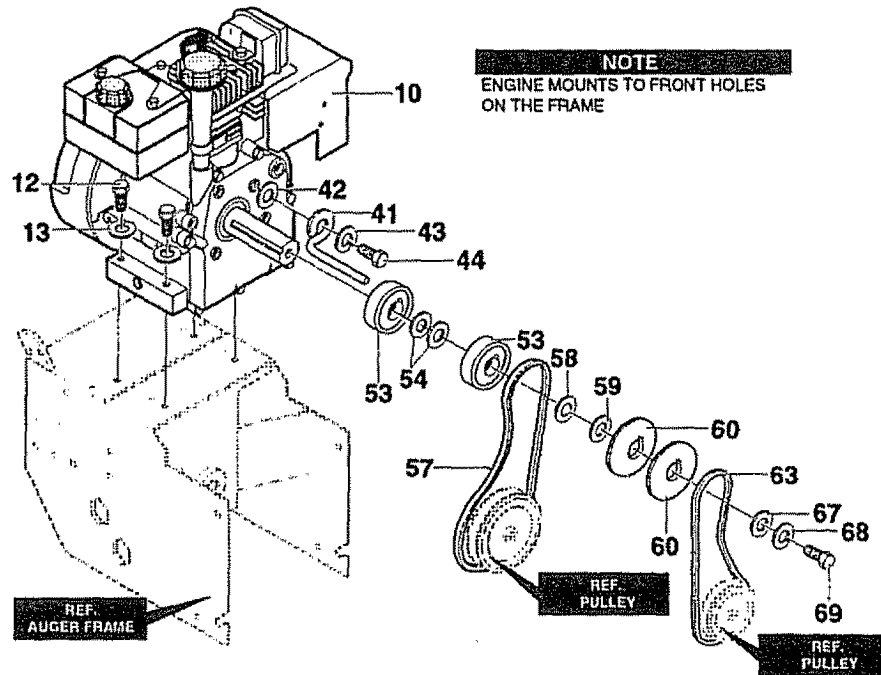
**CRAFTSMAN 22" - 5H.P. SNOW THROWER 536.886141**  
**ELECTRIC START ASSEMBLY**



REF. NO.	PART NO.	PART NAME
6	330783	Motor, Electric Starter
7	6216	Screw, 1/4-20x.50
8	6217	Screw #6-32x2.50
9	6219	Cord, Starter Motor
	761900	Owner's Manual Eng/Sp

319051B

**ENGINE ASSEMBLY**



**NOTE**  
 ENGINE MOUNTS TO FRONT HOLES ON THE FRAME

326928I

REF. NO.	PART NO.	PART NAME
10	ENGINE	Model 143.995001 (See Engine pages)
12	710024	Screw, 5/16-18
13	71060	Washer, Sptlk .31x.58x.08
41	3949	Guide, Rod Belt LH
42	6711	Washer, Plastic
43	71060	Washer, Sptlk .31x.58x.08
44	910828	Screw, 5/16-24x1.00
53	579854	Pulley Half V3L
54	579861	Flatwasher .752x.91x.02

REF. NO.	PART NO.	PART NAME
57	579932	Belt, V 3L 33.13Lg
58	712120	Washer, Flat .765x1.12x.06
59	586251	Spacer, Slev
60	586253	Pulley, Engine V4L
63	581264	Belt, V 4L 35.6 LG
67	50677	Washer, Flat
68	71063	Washer, Hvsptlk .38
69	71015	Screw, 3/8-24x1.00

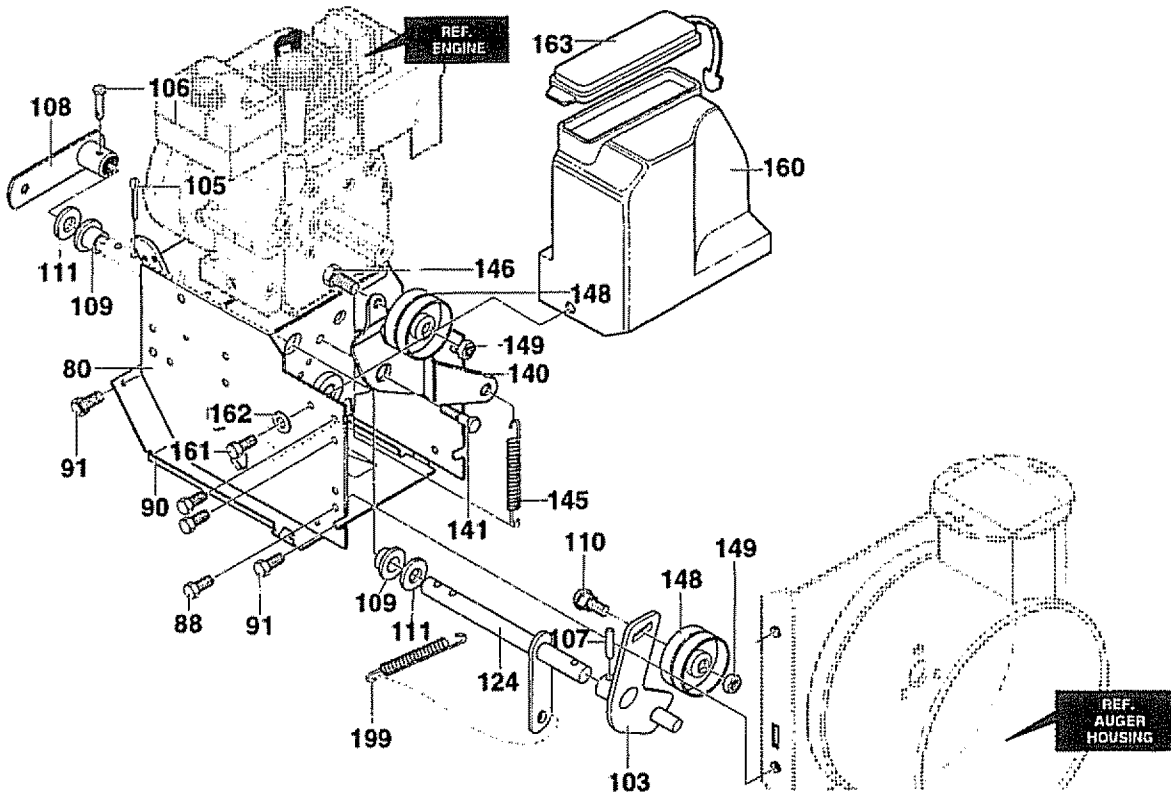
**Note: Always use original equipment parts.** Use of service/replacement parts other than original parts may void your warranty.

**All unnumbered items are interchangeable with opposite side**



# CRAFTSMAN 22" - 5H.P. SNOW THROWER 536.886141

## FRAME ASSEMBLY

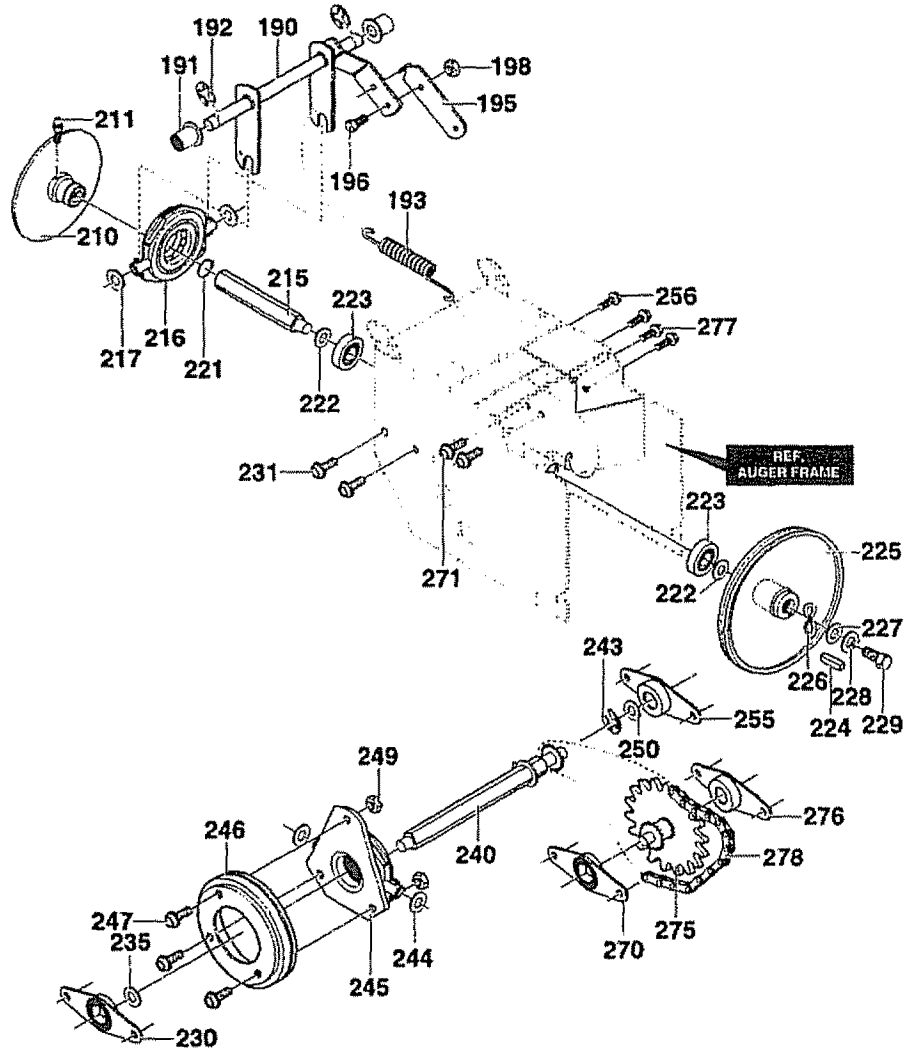


344688A

REF. NO.	PART NO.	PART NAME	REF. NO.	PART NO.	PART NAME
80	761702-833	Frame Assembly	124	761767	Assy, Brake
88	780055	Screw, 5/16-18x.50 Tap.	140	761701	Lever, Idler Arm Traction
90	583031-853	Cover, Bottom	141	329989	Bolt, .625x.135
91	310169	Screw, 1/4-20x.63 Tap.	145	53704	Spring, Idler Tract Drive
103	761823	Assy, Auger Eng. Compact	146	761760	Screw, 3/8-16x1.25
105	711682	Pin, Hair .38 Dia x1.64	148	50793	Pulley, Idler 1.88x.75
106	761761	Pin, Klik 3/16"	149	590	Nut, 3/8-16 Ctrkjam
107	710294	Pin, Spring	160	760478	Cover, Belt w/ Storage
108	761766	Assy, Spring Attach Wheel	161	310169	Screw, 1/4-20x.63 Tap
109	53703	Brng, Fl .503 Id x.750	162	71067	Washer, Flat .281x.63x.065
110	585781	Bolt, 3/8-16x1.25 Carr.	163	760539	Lid, Belt Cover
111	711617	Washer, Flat	199	760988	Spring, Idler Auger Drive

# CRAFTSMAN 22" - 5H.P. SNOW THROWER 536.886141

## DRIVE ASSEMBLY

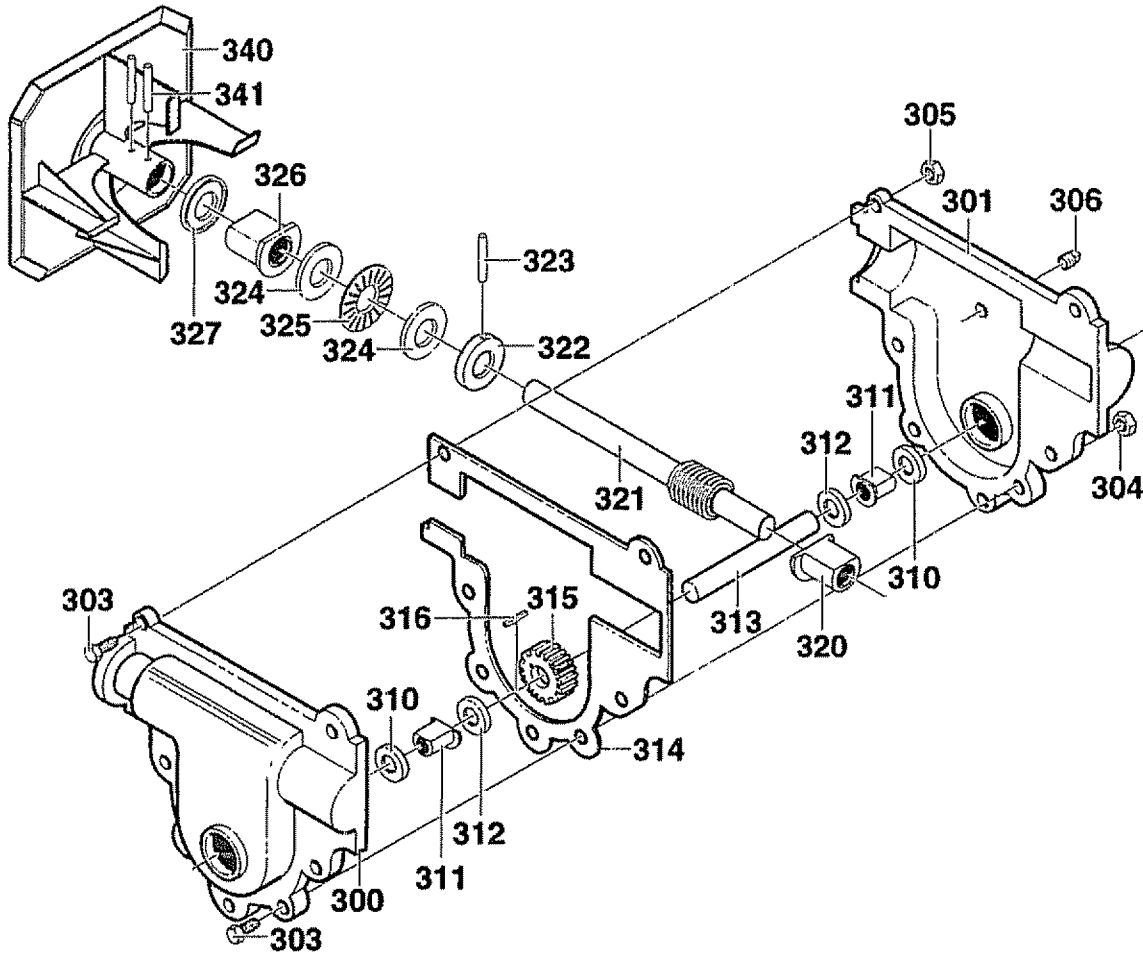


313995 M

REF. NO.	PART NO.	PART NAME
190	761820	Lever, Assy. Tract. Clutch
191	53703	Brg, Fl .503 Id x.750
192	20864	Ring, Ret E .39x.04
193	53818	Spring, Return
195	579937	Lever, Spring Trac Cl.
196	11871	Screw, 1/4-20x.63
198	73826	Nut, 1/4-20 Reghexctrik
210	583163-853	Disc, Assy Fric. Wheel
211	583206	Zerk, Grease .25-28x1.12
215	583155	Shaft, Hex Traction
216	85501	Bearing, Trunion 1.25
217	71074	Washer, Flat .53x1.00x.063
221	73811	Ring, Retex 1.16x.05
222	580969	Washer, Flat.680x1.12x.060
223	43846	Brg, Ball 6203-2RS
224	580970	Key, Square .18 SQx .63
225	580961	Pulley, V3L
226	580965	Washer, Wave
227	712123	Washer, Flat.281x1.00x.063
228	71059	Washer, Sptik .26x.50x06
229	302628	Screw, 1/4-20x.75
230	334163	Bearing & Retainer Assy.

REF. NO.	PART NO.	PART NAME
231	780055	Screw, 5/16-18x.50 Tap.
235	579858	Washer, Sp. .502x.75x.0605
240	579897	Hex, Assy #40-8
243	783002	Ring, Retex .46x.04
244	71074	Washer, Flat.53x1.00x.063
245	337029	Bearing, Trunion Cl. Releas
246	53830	Wheel Friction Disc
247	11871	Screw, 1/4-20x.63
249	303008	Nut, 1/4-20 HexKeys
250	579858	Washer, Sp .502x.75x.0605
255	334163	Bearing & Retainer Assy.
256	780055	Screw, 5/16-18x.50 Tap.
270	334163	Bearing & Retainer Assy.
271	780055	Screw, 5/16-18x.50 Tap.
275	761691	Jackshaft, #41-36/8
276	334163	Bearing & Retainer Assy.
277	780055	Screw, 5/16-18x.50 Tap.
278	579867	Chain, Roller #42

**CRAFTSMAN 22" - 5H.P. SNOW THROWER 536.886141  
GEAR CASE ASSEMBLY**

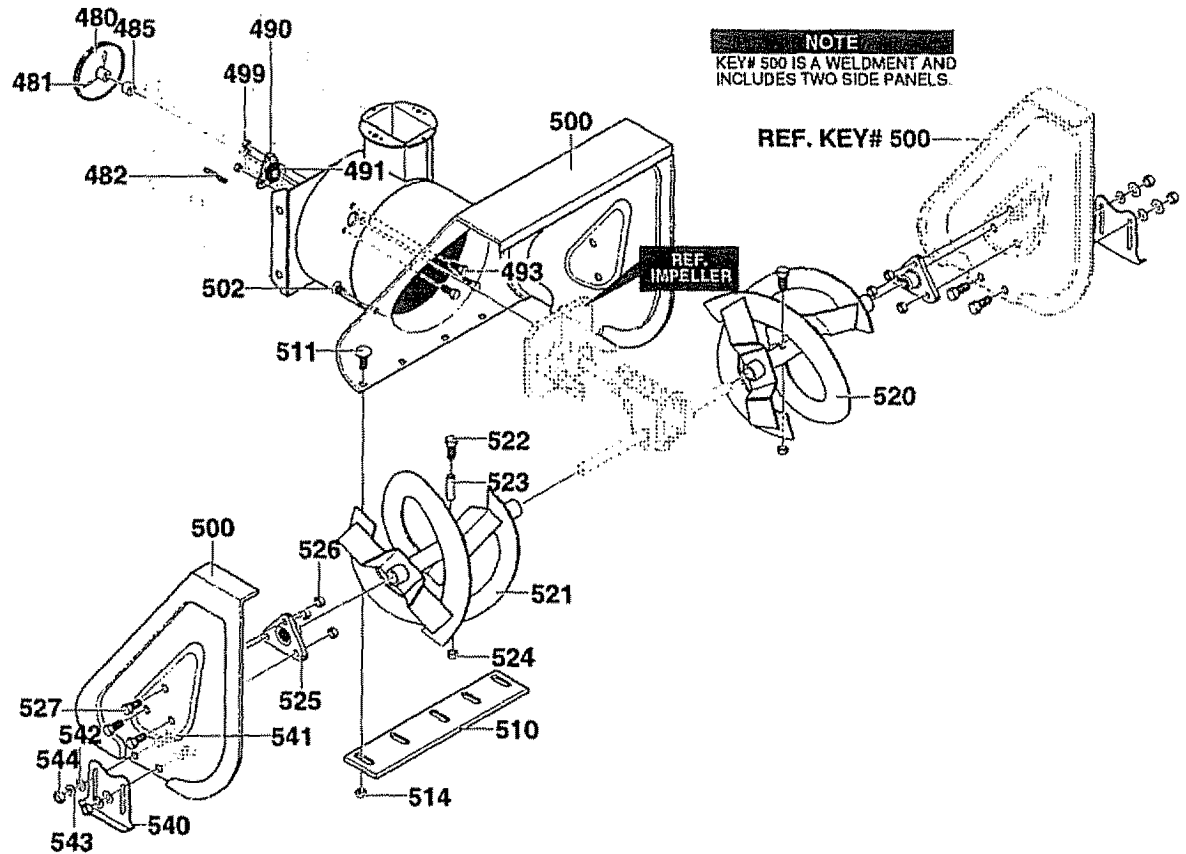


313996B

REF. NO.	PART NO.	PART NAME
300	10577	Gear Case, RH
301	10576	Gear Case, LH
303	710025	Screw, 1/4-20x.75
304	302635	Nut, Cntrik 1/4-20
305	303008	Nut, 1/4-20 Hexkeps
306	9344	Screw, 3/8-16x.50 Tap.
310	9566	Seal, Oil .75x1.19x.25
311	50304	Brng, Fl .752 IDx1.002OD
312	48275	Washer, Flat.752x1.24x.093
313	340284	Shaft, Auger Output 22"
314	51279	Gasket, Gear Case
315	51405	Gear, Worm

REF. NO.	PART NO.	PART NAME
316	431787	Key, Wdrf #61
320	50221	Brng, Fl .502 IDx.752x.75
321	583125	Shaft, Worm Imp
322	580295	Collar, Thrust
323	454565	Pin, Spring .250DIAx1.25
324	48275	Washer, Flat.752x1.24x.093
325	50684	Brng, Roll
326	50304	Brng, Fl .752 IDx1.002OD
327	9566	Seal, Oil .75x1.19x.25
340	760194-853	Impel Assy.
341	454565	Pin, Spring .250DIAx1.25

**CRAFTSMAN 22" - 5H.P. SNOW THROWER 536.886141**  
**AUGER HOUSING ASSEMBLY**



339972G

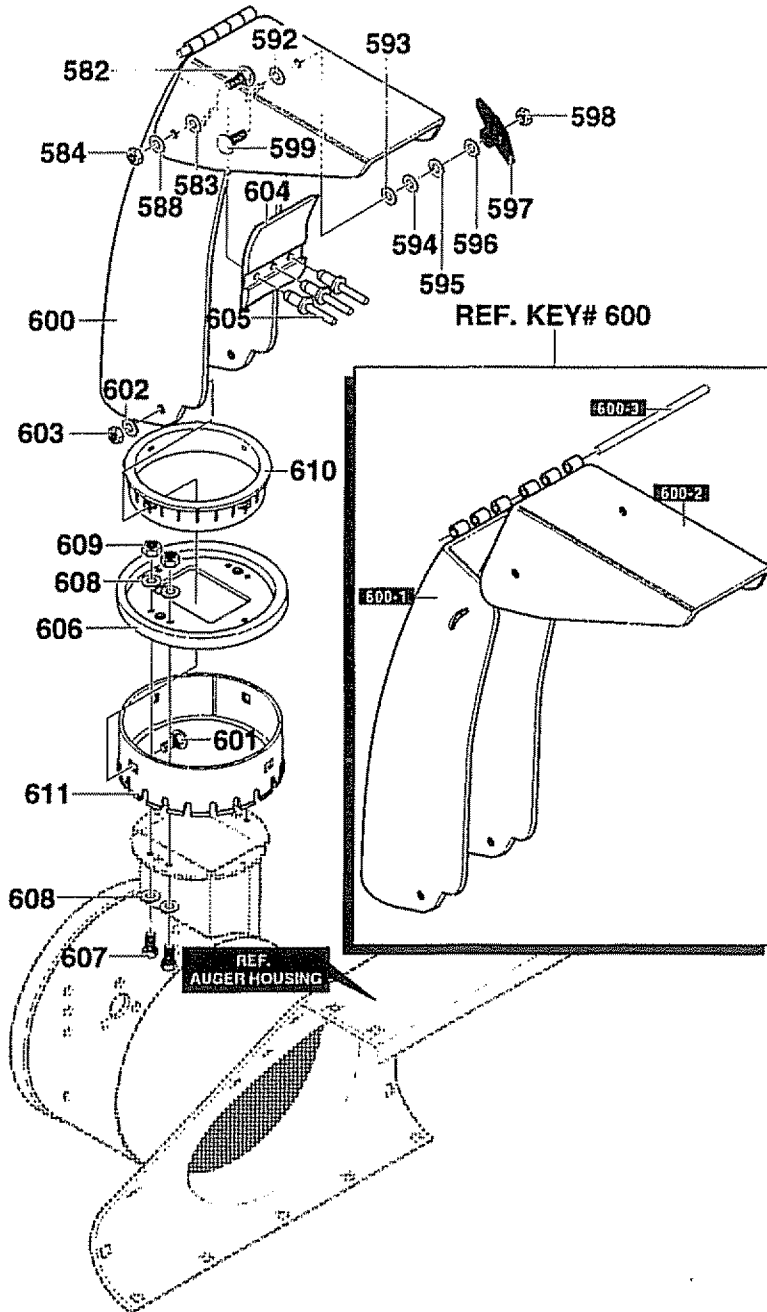
REF. NO.	PART NO.	PART NAME
480	762146	Pulley, V4L
481	577400	Screw 5/16-18x.63
482	71371	Key, Square .18Sqx.88Lg
485	334514	Spacer, Slev .676x1x.53
490	582960	Retainer, Ball
491	43846	Brng, Ball 6203-2RS
493	313676	Screw, 5/16-18x.75
499	710026	Nut, 5/16-18 Hexwdfllk
500	761742-833	Housing Assy.
502	309235	Fastener, Ratchet
510	581395-853	Blade, Scraper 22"
511	340714	Bolt, 1/4-20x.75 Carr.
514	780285	Nut, 1/4-20 Whiz-lk
520	340520-853	Auger Assy LH 22"
521	340525-853	Auger Assy RH 22"
522	*	Screw, 1/4-20x1.75
523	3943	Spacer Slev .250x.47x.20
524	*	Nut, 1/4-20 Reghexctrk

REF. NO.	PART NO.	PART NAME
525	9517	Brng, Fl .754
526	711862	Nut, Toplock 5/16-18
527	9357	Screw, 5/16-18x.75
540	301380-853	Skid, Height Adjust
541	340720	Bolt 5/16-18x.75 Carr.
542	71071	Washer, Flat.349x.69x.066
543	71060	Washer, Sptk .31x.58x.08
544	71037	Nut, 5/16-18 Reghex

\* When ordering replacement parts order Shear Pin, part #760875

# CRAFTSMAN 22" - 5H.P. SNOW THROWER 536.886141

## DISCHARGE CHUTE ASSEMBLY

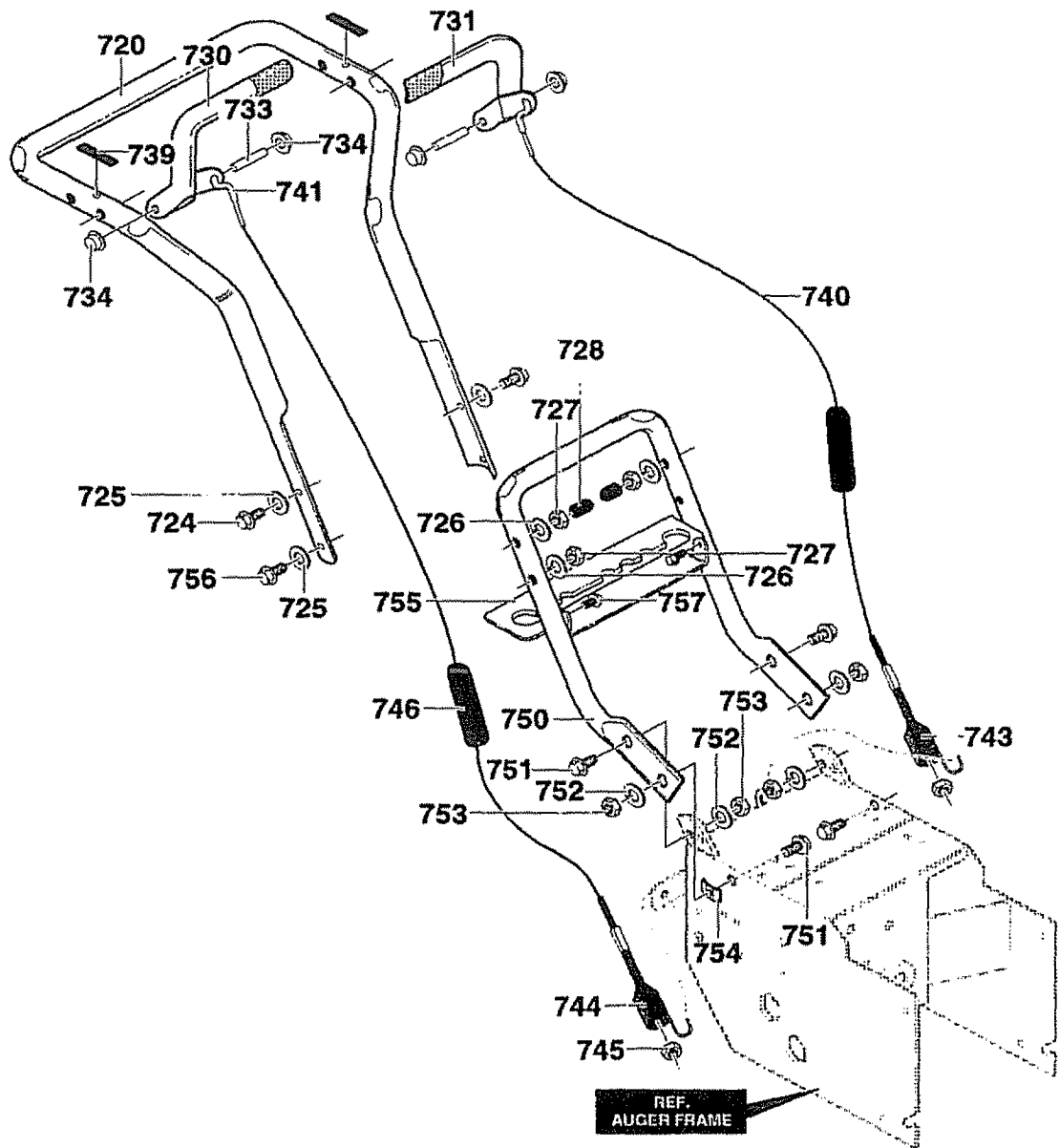


337160E

REF. NO.	PART NO.	PART NAME
582	340720	Bolt 5/16-18x.75 Carr.
583	12021	Washer, Plastic
584	71038	Nut, 5/16-18 hexnylon
588	6711	Washer, Plastic
592	12021	Washer, Plastic
593	6711	Washer, Plastic
594	71071	Washer, Flat.349x.69x.066
595	71060	Washer, Spltk .31x.58x.08
596	71071	Washer, Flat.349x.69x.066
597	57171	Knob, T 3.00
598	71037	Nut, 5/16-18 Reghex
599	3316	Bolt 5/16-18x1.00 Carr.
600	760990-853	Chute Assembly
600-1	760989	Lower Chute

REF. NO.	PART NO.	PART NAME
600-2	11780	Upper Chute
600-3	305216	Pin, Hinge
601	586280	Bolt 5/16-18x1.00 Carr.
602	71071	Washer, Flat.349x.69x.066
603	71038	Nut, 5/16-18 Hexnyl
604	760268	Flap, Chute Insert
605	760987	Rivet, Pop .125x.232
606	585214-853	Collar, Chute Rect.
607	302628	Screw, 1/4-20x.75
608	71067	Washer, Flat.281x.63x.065
609	780029	Nut, 1/4-20 Hex Nylock
610	337227	Retainer, Ring Inner
611	585193	Retainer, Ring Outer

**CRAFTSMAN 22" - 5H.P. SNOW THROWER 536.886141  
HANDLE ASSEMBLY**

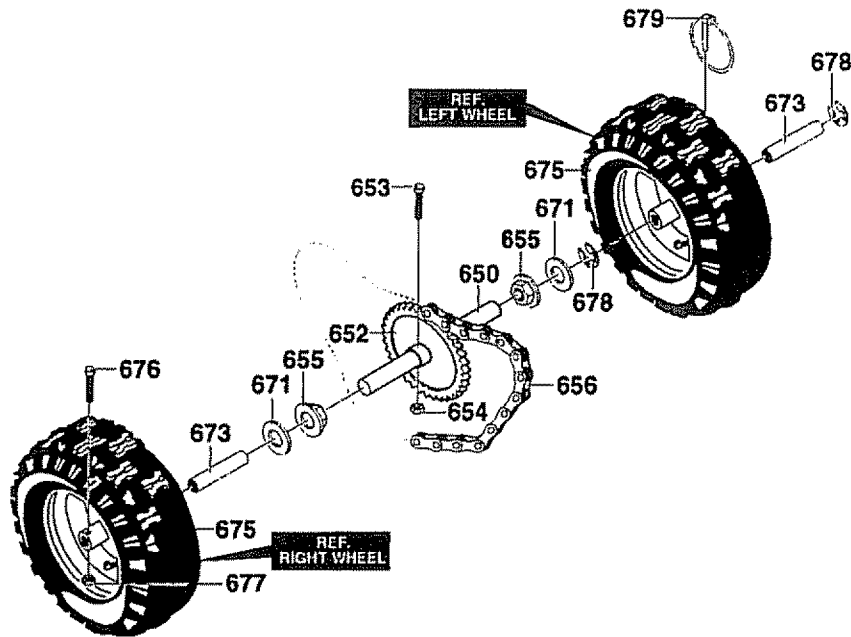


339622C

REF. NO.	PART NO.	PART NAME
720	9552-853	Upper Handle
724	11234	Screw, 5/16-18x2.75
725	71071	Washer, Flat .349x.69x.066
726	71060	Washer, Spltk .31x.58x.08
727	71037	Nut, 5/16-18 Reghex
728	11261	Stop, Red Plastic 5/16
730	334195	Kit for RH Handle Assy
731	334195	Kit for LH Handle Assy.
733	4140	Pin, Clutch Handle
734	3535	Nut, Push On Cap .312
739	4049	Bumper, Rect.
740	1579	Cable, Clutch 28.44
741	761590	Cable, Aug Clutch 25.5

REF. NO.	PART NO.	PART NAME
743	579869	Spring, Tension
744	1673	Spring, Auger Clutch
745	780029	Nut, 1/4-20 Hex Nylock
746	308146	Boot, Clutch Spring
750	339541-853	Handle, Lower
751	313053	Screw 5/16-18x1.00
752	71060	Washer, Spltk .31x.58x.08
753	71037	Nut, 5/16-18 Reghex
754	309436	Pushnut, 5/16
755	337407-853	Brkt, Gear Selector
756	6751	Screw, 5/16-18x2.00
757	300303	Screw, 5/1618x2.00Plastite

**CRAFTSMAN 22" - 5H.P. SNOW THROWER 536.886141  
WHEEL ASSEMBLY**

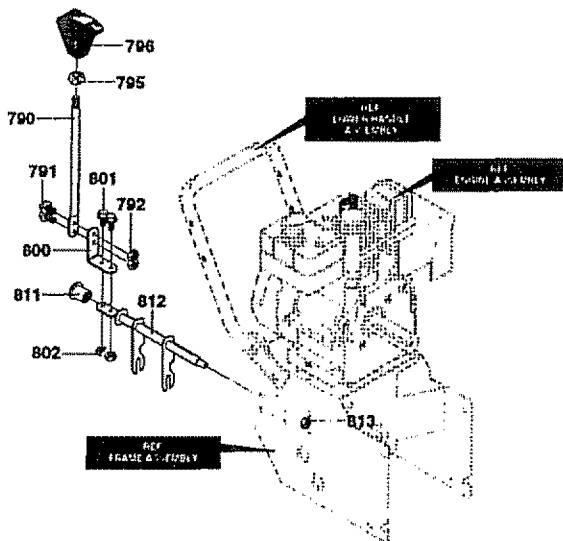


318542F

REF. NO.	PART NO.	PART NAME
650	580883	Shaft, Axle Wheel
652	583012	Sprkt & Hub Assy.
653	73839	Screw 1/4-20x2.25
654	780029	Nut, 1/4-20 Hex Nylock
655	581730	Brng, Fl
656	579867	Chain, Roller #42x40P
671	712120	Washer, Flat .765x1.12x.06

REF. NO.	PART NO.	PART NAME
673	585591	Bushing, Wheel 4"Lg
675	318504	Tire & Rim 12x4.1x6
676	577015	Screw Shr 1/4-20x1.75
677	780029	Nut, 1/4-20 Hex Nylock
678	239	Ring, Ret.
679	73842	Pin, Klik .25x1.38

**SHIFT YOKE ASSEMBLY**

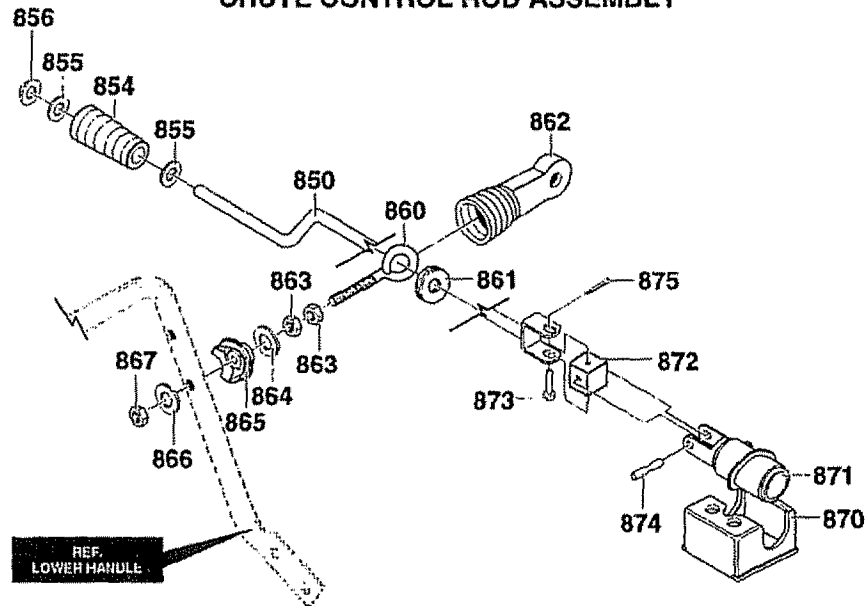


REF. NO.	PART NO.	PART NAME
790	581631-853	Shift Rod
791	302628	Screw, 1/4-20x.75
792	73826	Nut, 1/4-20 Reghexctrk
795	318486	Nut, 1/2-13 Hexjam
796	304438	Knob, Shift
800	760564	Lever, Spring
801	302628	Screw, 1/4-20x.75
802	73826	Nut, 1/4-20 Reghexctrk
811	579944	Brng, Fl .500IDx.88ODx.31
812	581795	Rod, Assy Yoke
813	71111	Nut, 3/8-16 Hexctrk

319053D

# CRAFTSMAN 22" - 5H.P. SNOW THROWER 536.886141

## CHUTE CONTROL ROD ASSEMBLY



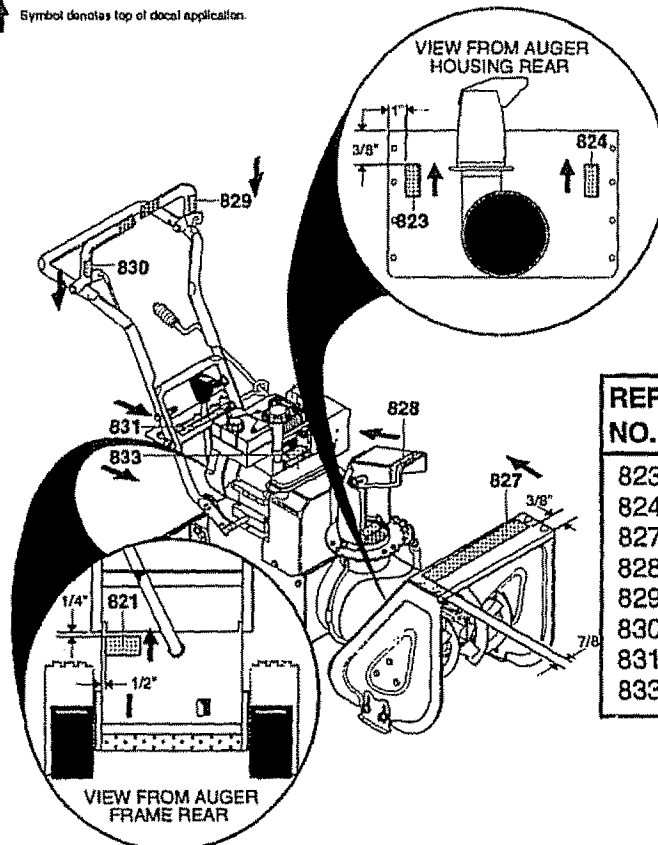
334215C

REF. NO.	PART NO.	PART NAME
850	585426	Crank Assy, W/yoke
854	307399	Hndl, Cht Crank Dlx Knob
855	309312	Washer, Flat .39x.70x.05
856	578159	Ring, Ret. E.
860	581618	Bolt, Eye 3/8-16x6.00
861	148	Grommet Eye Bolt
862	308145	Boot, Eye Bolt Chute Crank
863	71045	Nut, 3/8-16 Hexjam
864	71072	Washer, Flat .406x.81x.066

REF. NO.	PART NO.	PART NAME
865	309344	Adapter, Boot to Handle
866	71072	Washer, Flat .406x.81x.066
867	71046	Nut, 3/8-16 Hexnyl
870	585195	Brkt, Worm Mtg
871	585196	Worm, Gear Chute
872	578063	Block Univ. Piv .375x.250
873	578309	Pin, Clevis .25Dx1.094
874	578060	Pin, Univ. Joint 3/8x1.00
875	579493	Pin, Cotter .06x.50

## DECALS

↑ Symbol denotes top of decal application.



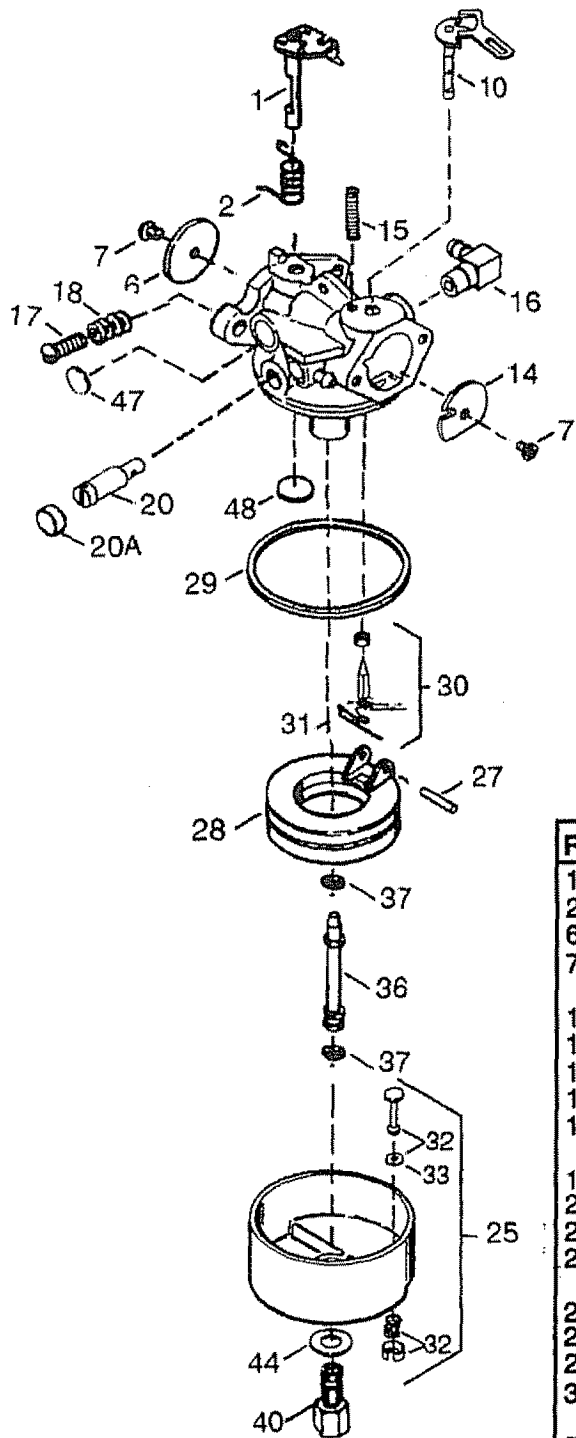
344409A

REF. NO.	PART NO.	PART NAME
823	761916	Decal, Danger Chute Hand
824	761776	Decal, Danger & Foot
827	761794	Decal, 5.0/22 ES Craftsman
828	761079	Decal, Danger Stripe
829	3902	Decal, Traction Dr. Engage
830	3903	Decal, Auger Dr. Engage
831	340047	Decal, Gear Selector
833	760983	Decal, Toolbox



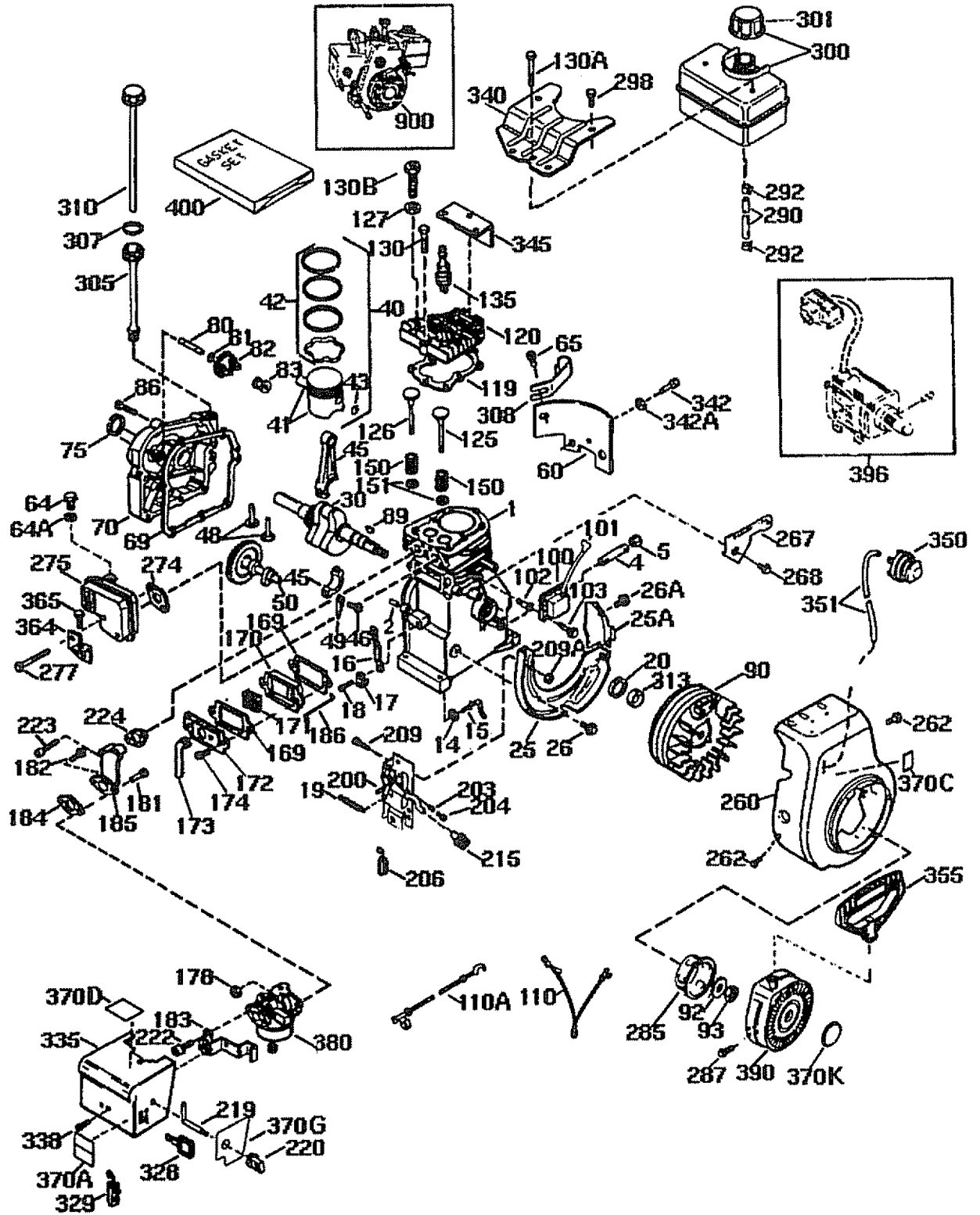
# CRAFTSMAN 4-CYCLE ENGINE MODEL NUMBER 143.995001

## CARBURETOR 640084A



REF.	PART#	PART NAME
1	631615	THROTTLE SHAFT & LEVER ASSY.
2	631767	THROTTLE RETURN SPRING
6	640070	THROTTLE SHUTTER
7	650506	THROTTLE & CHOKE SHUTTER SCREW
10	632108	CHOKE SHAFT & LEVER ASSY
14	631890	CHOKE SHUTTER
15	630735	CHOKE POSITION SPRING
16	631807	FUEL FITTING
17	651025	THROTTLE CRACK SCREW/ IDLE SPEED SCREW
18	630766	TENSION SPRING
20	640018	IDLE RESTRICTOR SCREW
20A	640053	IDLE RESTRICTOR SCREW CAP
25	631951	FLOAT BOWL ASSY (INCL. NOS. 32 & 33)
27	631024	SHAFT, FLOAT
28	632019	FLOAT
29	631028	"O" RING, FLOAT BOWL TO BODY
30	631021	INLET NEEDLE, SEAT & CLIP (INCL. NO 31)
31	631022	SPRING CLIP
32	27136A	BOWL DRAIN ASSY
33	27554	DRAIN PLUNGER GASKET
36	632745	MAIN NOZZLE TUBE
37	632547	"O" RING, MAIN NOZZLE TUBE
40	640131	HIGH SPEED BOWL NUT
44	27110	BOWL NUT WASHER
47	630748	WELCH PLUG, IDLE MIXTURE WELL
48	631027	WELCH PLUG, ATMOSPHERIC VENT

# CRAFTSMAN 4-CYCLE ENGINE MODEL NUMBER 143.995001

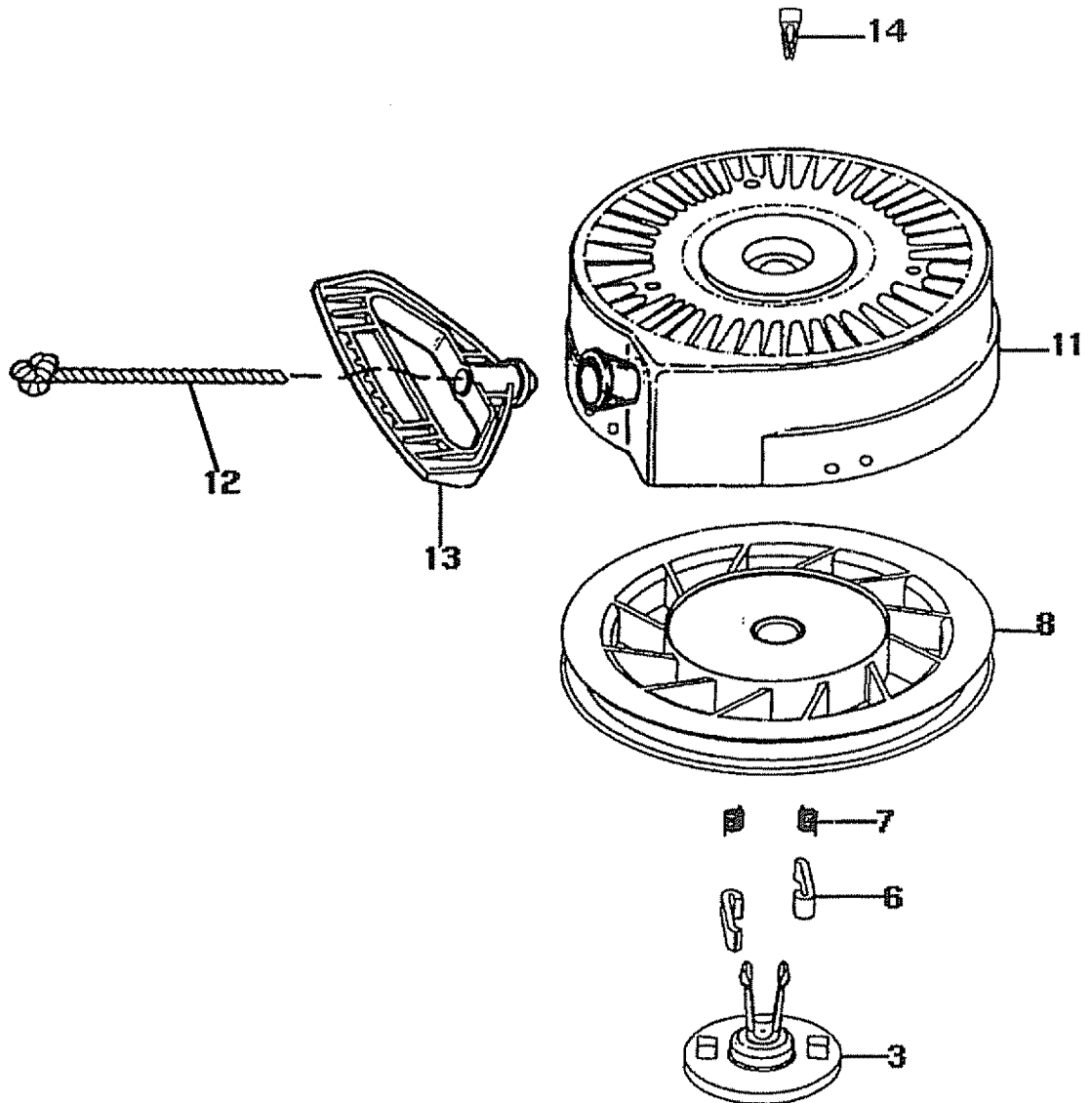


# CRAFTSMAN 4-CYCLE ENGINE MODEL NUMBER 143.995001

REF.	PART#	PART NAME	REF.	PART#	PART NAME
1	36469A	CYLINDER (INCL. 2,20,72&125)	130A	650694A	SCREW, 5/16-18X2"
2	26727	DOWEL PIN	130B	650818	SCREW, 5/16-18X1-1/2"
4	0	OIL DRAIN EXTENSION (PURCHASE LOCALLY)	135	35395	RESISTOR SPARK PLUG (RJ19LM)
5	30969	EXTENSION CAP	150	31672	VALVE SPRING
14	28277	WASHER	151	31673	VALVE SPRING CAP
15	31334	GOVERNOR ROD	169	27234A	VALVE COVER GASKET
16	31510	GOVERNOR LEVER	170	27666	BREATHER BODY
17	31335	GOVERNOR LEVER CLAMP	171	31410	BREATHER ELEMENT
18	651018	SCREW, TORX T-15, 8-32X19/64"	172	34146	VALVE COVER
19	31426	EXTENSION SPRING	173	35350	BREATHER TUBE
20	32600	OIL SEAL	174	650783	SCREW, 10-24X3/4"
25	36552	BLOWER HSING BAFFLE (INCL 262)	178	29752	NUT & LOCK WASHER 1/4-28"
25A	35883	BAFFLE EXTENSION	181	650870	SCREW, 1/4-28X1-11/16"
26	650802	SCREW, 1/4-20X5/8"	182	6201	SCREW, 1/4-28X7/8"
26A	650926	SCREW 8-32X21/64"	183	34583A	CHOKE BRACKET
30	37245	CRANKSHAFT	184	26756	CARBURETOR TO INTAKE PIPE GASKET
40	36073	PISTON, PIN & RING SET (STD)	185	33691	INTAKE PIPE
40	36074	PISTON, PIN & RING SET (.010" OS)	186	32698	GOVERNOR LINK
40	36075	PISTON, PIN & RING SET (.020" OS)	200	36677	CONTROL BKT (INCL 203-209A)
41	36070	PISTON & PIN ASSY (STD) (INCL. 43)	203	31342	COMPRESSION SPRING
41	36071	PISTON & PIN ASSY (.010 OS) (INCL. 43)	204	651029	SCREW, TORX T-10 5-40X7/16"
41	36072	PISTON & PIN ASSY (.020 OS) (INCL. 43)	206	610973	TERMINAL
42	36076	RING SET (STD)	209	650139	SCREW, 8-32X3/4"
42	36077	RING SET (.010" OS)	209A	30322	LOCK NUT, 8-32
42	36078	RING SET (.020" OS)	215	35440	CONTROL KNOB
43	20381	PISTON PIN RETAINING SET	219	34582	CHOKE ROD
45	32875A	CONNECTING ROD ASSY (INCL 46 & 49)	220	35438	CHOKE KNOB
46	32610A	CONNECTING ROD BOLT	222	28820	SCREW 10-32X1/2"
48	27241	VALVE LIFTER	223	650664	SCREW, 1/4-20X1-19/32"
49	32654	OIL DIPPER	224	33673A	INTAKE PIPE GASKET
50	33158	CAMSHAFT (BCR)	260	35656A	BLOWER HOUSING
60	29745	BLOWER HOUSING EXT.	262	650737	SCREW, 1/4-20X1-19/32"
64	30063	SCREW, TORX T-30 1/4-20X1/2"	267	34212	HOLD DOWN BRACKET
64A	8345	WASHER	268	30200	SCREW, 10-24X9/16"
65	650128	SCREW, 10-24X1/2"	274	33670A	EXHAUST GASKET
69	27677A	CYLINDER COVER GASKET	275	35771	MUFFLER (INCL 274)
70	34674C	CYLINDER COVER (INCL. 75 -83)	277	650327	SCREW 1/4-20X2-27/64"
75	27897	OIL SEAL	285	36467A	STARTER CUP
80	30574A	GOVERNOR SHAFT	287	650926	SCREW 8-32X21/64"
81	30590A	WASHER	290	30705	FUEL LINE
82	30591	GOVERNOR GEAR ASSY. (INCL. 81)	292	26460	FUEL LINE CLAMP
83	30588A	GOVERNOR SPOOL	298	650665	SCREW, 1/4-15X3/4"
86	650488	SCREW, 1/4-20X1-1/4"	300	35584	FUEL TANK(INCL 292&301)
89	610961	FLYWHEEL KEY	301	35355	FUEL CAP
90	611199	FLYWHEEL(W/RING GEAR)	305	35554	OIL FILL TUBE
92	650815	BELLEVILLE WASHER	307	35499	"O" RING
93	650816	FLYWHEEL NUT	308	35539	FILL TUBE CLIP
100	34443B	SOLID STATE IGNITION	310	35556	DIPSTICK
101	610118	SPARK PLUG COVER	313	34080	SPACER
102	651024	SOLID STATE MTNG STUD	328	35593	IGNITION KEY
103	651007	SCREW, TORX T-15, 10-24X15/16"	329	610973	TERMINAL
110	35182	GROUND WIRE	335	35072	CARBURETOR COVER
110A	36874	GROUND WIRE	338	650257	SCREW 8-32X5/16"
119	36443	CYLINDER HEAD GASKET	340	36247	FUEL TANK BRACKET
120	36441	CYLINDER HEAD(INCL. 131)	342	300633	SCREW TORX T-30 1/4-20X1/2"
125	36471	EXHAUST VALVE (STD) (INCL. 151)	342A	650675	WASHER
125	36472	EXHAUST VALVE (1/32" OS) (INCL 151)	345	33344	HEAT BAFFLE
126	32644A	INTAKE VALVE (STD) (INCL 151)	350	570682A	PRIMER ASSY.
126	32645A	INTAKE VALVE (1/32" OS) (INCL 151)	351	32180C	PRIMER LINE
127	650691	WASHER	355	590574	START HANDLE(MITTEN GRIP)
130	6021A	SCREW, 5/16-18X1-1/2"	364	33333	CARBURETOR COVER BKT
			365	650735	SCREW 10-24X3/8"
			370A	36261	LUBRICATION DECAL
			370B	35282	CONTROL DECAL
			370C	36501	PRIMER DECAL
			370D	35878	WARNING DECAL
			370K	36695	STARTER DECAL
			380	640084A	CARBURETOR (INCL 184)
			390	590742	REWIND STARTER
			396	33290E	ELECTRIC STARTER MOTOR
			400	36444	GASKET SET

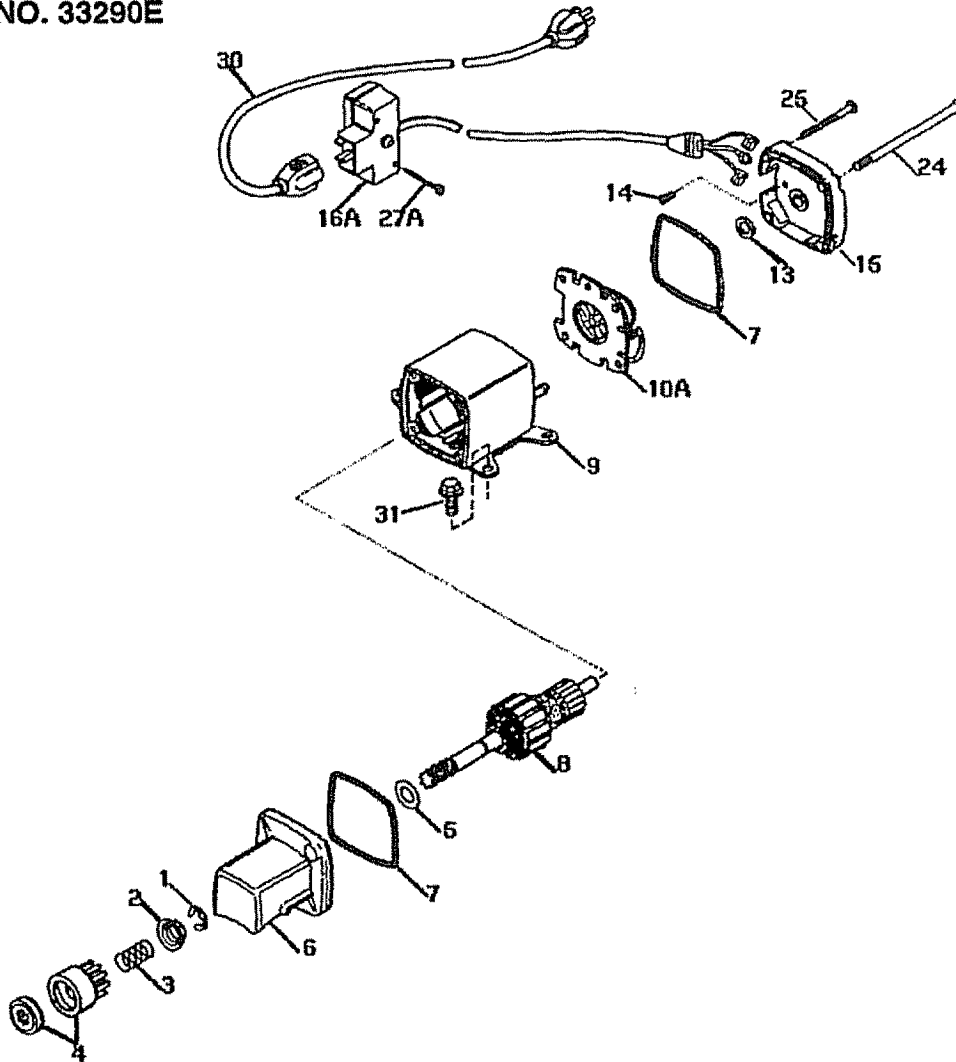
# CRAFTSMAN 4-CYCLE ENGINE MODEL NUMBER 143.995001

STARTER NO. 590742



REF.	PART#	PART NAME
3	590742	STARTER, REWIND
	590740	RETAINER
6	590616	DOG, STARTER
7	590617	SPRING, DOG
8	590645A	PULLEY & REWIND SPRING ASSY
11	590647	HOUSING ASSY, STARTER
12	590535	ROPE, STARTER (LENGTH 98" & 9/64" DIA.)
13	590574	HANDLE, STARTER
14	590741	LOCKING TAB

**CRAFTSMAN 4-CYCLE ENGINE MODEL NUMBER 143.995001**  
**STARTER NO. 33290E**



REF.	PART#	PART NAME
0	33290E	ELECTRIC STARTER (110 VOLT)
1	31749	RETAINER RING
2	33522	SPRING RETAINER
3	33769	ANTI-DRIFT SPRING
4	33524	NUT & GEAR
5	35911	THRUST WASHER
6	35461	DRIVE END CAP ASSY (INCL. 7)
7	35450	"O" RING
8	35912	ARMATURE
9	0	HOUSING ASSY (MUST PURCHASE COMPLETE MOTOR)
10A	35452A	BRUSH & SPRING CARD ASSY.
13	590500	THRUST WASHER
14	33441	GROUND SCREW
15	35453	COMMUTATOR END CAP ASSY (INCL 7)
16A	35454	SWITCH ASSY. (INCL 27A)
24	35462	CASE BOLT
25	35456	GROUNDING SCREW
27A	650819	SCREW 6-32X2-1/2"
30	32450B	EXTENSION CORD (10'6")
31	650759	SCREW, TORX-30, 1/4-20X23/32"
50	730623	SWITCH REPAIR KIT

**TABLA DE CONTENIDOS**

Tabla de contenidos	38	Operacion	45-52
Garantia	38	Mantenimiento	52-54
Reglas de seguridad	38-40	Servicio y Ajustes	55-60
Contenido del paquete con articulos de ferreteria	41	Almacenamiento	61
Montaje	42-45	Solucion de problemas	62
		Pedido/Servicio de Piezas	64

**GARANTIA**

**GARANTIA LIMITADA DOS AÑOS SOBRE LA REMOVEDORA DE NIEVE CRAFTSMAN**

Durante dos años a partir de la fecha de compra, cuando esta Removedora de nieve Craftsman sea mantenida, lubricada y afinada de acuerdo con las instrucciones en el manual del propietario, CRAFTSMAN reparará, sin recargo alguno, cualquier defecto en materiales y mano de obra.

Si esta Removedora de nieve Craftsman se usa para propósitos comerciales o de arrendamiento, esta garantía es válida durante 90 días a partir de la fecha de compra.

Esta garantía no cubre lo siguiente:

- Elementos fungibles los cuales se gastan durante el uso normal, tales como bujías, correas de transmisión y clavijas de seguro por esfuerzo cortante.
- Reparaciones necesarias debido al abuso o negligencia del operador, incluyendo cigüeñales doblados y la falta de mantenimiento del equipo de acuerdo con las instrucciones contenidas en el manual del propietario.

EL SERVICIO DE GARANTIA SE PUEDE OBTENER AL DEVOLVER LA REMOVEDORA DE NIEVE CRAFTSMAN AL CENTRO/DEPARTAMENTO DE SERVICIO CRAFTSMAN MAS CERCANO EN LOS ESTADOS UNIDOS. ESTA GARANTIA ES VALIDA SOLO CUANDO ESTE PRODUCTO SEA USADO EN LOS ESTADOS UNIDOS.

Esta garantía le otorga derechos legales específicos, y asimismo es posible que tenga otros derechos los cuales varían de estado a estado.

Sears, Roebuck and Co., D817WA, Hoffman Estates, IL 60179



**REGLAS DE SEGURIDAD**



**⚠ Busque este símbolo para destacar precauciones de seguridad importantes. Esto significa—!!!ATENCIÓN!!! !!!ESTE!!! U seguridad esta de por medio.**

**⚠ PRECAUCION:** Siempre desconecte el alambre de la bujía y colóquelo donde no haga contacto con el bujía para evitar un arranque accidental al montar, transportar, ajustar o efectuar reparaciones.

**IMPORTANTE:** Los estándares de seguridad requieren la presencia del operador en los controles para minimizar el riesgo de heridas. Su removedora de nieve esta equipada con dichos controles. No intente pasar por alto la función del control de presencia del operador bajo ninguna circunstancia.



**California Proposition 65  
ADVERTENCIA:**

Las emanaciones de escape producidas por este motor contienen químicos reconocidos por el Estado de California como carcinógenos, también pueden producir defectos en los recién nacidos o causar otros daños al sistema reproductivo.

**CAPACITACION**

1. Lea el manual del operador cuidadosamente. Familiarícese completamente con los controles y el uso apropiada. Sepa cómo detener la removedora de nieve y desenganchar los controles rápidamente.

2. Nunca permita a niños operar la removedora de nieve y manténgalos fuera del alcance de la misma mientras se encuentra en operación. Nunca permita que adultos operen la removedora de nieve sin instrucción apropiada. No lleve pasajeros.
3. Mantenga el área libre de personas, especialmente niños pequeños y mascotas.
4. Tenga precaución a fin de evitar deslizamientos o caídas, especialmente al operar la removedora de nieve en retroceso.

### PREPARACION

1. Inspeccione completamente el área donde se usará la removedora de nieve y retire todas las esteras, trineos, tableros, alambres, y otros objetos extraños.
2. Desenganche todos los embragues antes de arrancar el motor.
3. No opere la removedora de nieve sin vestir las prendas de invierno adecuadas para ambientes exteriores. Vista calzado que mejore su estabilidad en superficies lisas.
4. Maneje el combustible con cuidado; es altamente inflamable.
  - (a) Use un contenedor para combustible aprobado.
  - (b) Nunca retire la tapadera del tanque de combustible o añada combustible a un motor en marcha o a un motor caliente.
  - (c) Llene el tanque para combustible al aire libre, con cuidado extremo. Nunca llene el tanque en ambientes interiores.
  - (d) Coloque nuevamente la tapadera del tanque para combustible de manera segura y limpie el combustible derramado.
  - (e) Nunca almacene combustible o la removedora de nieve con combustible en el tanque dentro de un edificio donde los vapores pudiesen entrar en contacto con una llama desprotegida o una chispa.
  - (f) Verifique las existencias de combustible antes de cada uso, permitiendo espacio para expansión puesto que el calor del motor y/o el sol pueden causar la expansión del combustible.
5. Use cables de extensión y receptáculos

de la manera especificada por el fabricante para todas las removedoras de nieve con motores accionados por energía eléctrica o motores de arranque eléctrico.

6. Ajuste la altura de la removedora de nieve para pasar sobre superficies de grava o piedra triturada.
7. Jamás intente efectuar ningún ajuste mientras el motor se encuentra en marcha (excepto cuando el fabricante lo recomiende así específicamente).
8. Permita que el motor y la removedora de nieve se ajusten a las temperaturas exteriores antes de comenzar a retirar la nieve.
9. Siempre use gafas de seguridad o protectores para los ojos durante la operación o mientras se efectúa un ajuste o reparación para proteger sus ojos de objetos extraños que pudiesen ser lanzados por la removedora de nieve.

### OPERACION

1. Prestare attenzione al traffico quando so attraversano carregiate o si usa il trattorino in prossimità di esse.
2. Prestare la massima attenzione quando si carica o scarica la machina quando viene usato un rimorchio o un camion per il trasporto.
3. No coloque las manos o los pies cerca o bajo piezas rotativas. Manténgase a distancia de la abertura para descarga todo el tiempo.
4. Tenga precaución extrema la operar sobre o al cruzar caminos, aceras, o calles de grava. Manténgase alerta en caso de peligros ocultos o tráfico.
5. Después de golper un objeto extraño, pare el motor, retire el alambre de la bujía, desconecte el cable en motores eléctricos, inspeccione completamente la removedora de nieve a fin de encontrar cualquier daño, y reparar dicho daño antes de arrancar y operar la removedora de nieve nuevamente.
6. En el caso de que la removedora de nieve comience a vibrar fuera de lo normal, pare el motor y revise la máquina inmediatamente para encontrar la causa. Generalmente, la vibración es una advertencia de problemas.
7. Pare el motor dondequiera que deje la posición de operación, antes de desobstruir el alojamiento del barreno/

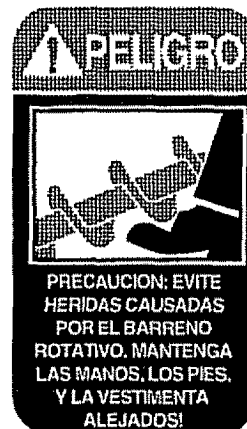
- propulsor o guía de descarga, y cuando efectúe cualesquiera reparaciones, ajustes, o inspecciones.
8. Al limpiar, reparar, o inspeccionar la máquina asegúrese de que el barrenó/propulsor y toda parte móvil se hayan detenido. Desconecte el alambre de la bujía y manténgalo alejado de la bujía para evitar un arranque accidental.
  9. Tome todas las precauciones posibles al dejar la removedora de nieve desatendida. Desenganche el barrenó/propulsor, pare el motor, y retire la llave.
  10. No ponga en marcha el motor en ambientes interiores, excepto al arrancar el motor y para transportar la removedora de nieve hacia adentro o hacia afuera del edificio. Abra las puertas exteriores; el humo del escape es peligroso (contiene MONOXIDO DE CARBONO, un GAS INODORO y LETAL).
  11. No limpie nieve perpendicularmente a la dirección de pendientes. Tenga precaución al cambiar de dirección en pendientes. No intente limpiar pendientes pronunciadas.
  12. Nunca opere la removedora de nieve sin que los resguardos, placas u otros dispositivos de seguridad se encuentren en su lugar.
  13. Nunca opere la removedora de nieve cerca de recintos de vidrio, automóviles, huecos de ventanas, sitios de carga/descarga, y similares sin el ajuste apropiado del ángulo de descarga de la nieve. Mantenga niños y mascotas alejados.
  14. No sobre cargue la capacidad de la máquina al intentar limpiar nieve a una velocidad demasiado rápida.
  15. Nunca opere la removedora de nieve a altas velocidades de transporte sobre superficies resbalosas. Mire hacia atrás y tenga cuidado al retroceder.
  16. Nunca descargue directamente sobre espectadores ni permita a nadie frente a la removedora de nieve.
  17. Desenganche la fuerza motriz al barrenó/propulsor cuando la removedora de nieve sea transportada o esté fuera de uso.
  18. Utilice únicamente aditamentos y accesorios aprobados por el fabricante de la removedora de nieve (tales como cadenas antiderrapantes para las llantas, juegos de arranque eléctrico, etc.).

19. Nunca opere la removedora de nieve sin buena visibilidad o iluminación. Siempre esté seguro de su estabilidad, y mantenga un agarre firme de las manijas. Camine; jamás corra.

## MANTENIMIENTO Y ALMACENAMIENTO

1. Revise los pernos de seguro por esfuerzo cortante y otros pernos que frecuentemente no está en condiciones aseguradas de trabajo.
2. Nunca almacene la removedora de nieve con combustible en el tanque para combustible dentro de un edificio en el cual se encuentran presentes fuentes de ignición tales como agua caliente y calentadores de espacio, secadoras de ropa, y similares. Permita que el motor se enfríe antes de almacenarlo en cualquier recinto.
3. Siempre refiérase a las instrucciones del manual del operador para consulta de los detalles importantes si la removedora de nieve será almacenada durante un periodo de tiempo prolongado.
4. Mantenga o coloque de nuevo las etiquetas de seguridad e instrucciones, de acuerdo a lo que sea necesario.
5. Mantenga la removedora de nieve en marcha unos cuantos minutos después de tirar la nieve para evitar el congelamiento del barrenó/propulsor.

**⚠ ADVERTENCIA:** Esta removedora de nieve se usa para aceras, caminos de entrada, y otras superficies de terreno planas. Se debe tener mucha PRECAUCION al utilizarla en superficies con pendiente pronunciada. **NO USAR LA REMOVEDORA DE NIEVE SOBRE SUPERFICIES POR ENCIMA DEL NIVEL DEL TERRENO**, tales como techos de residencias, cocheras, porches u otras de tales estructuras o edificios.

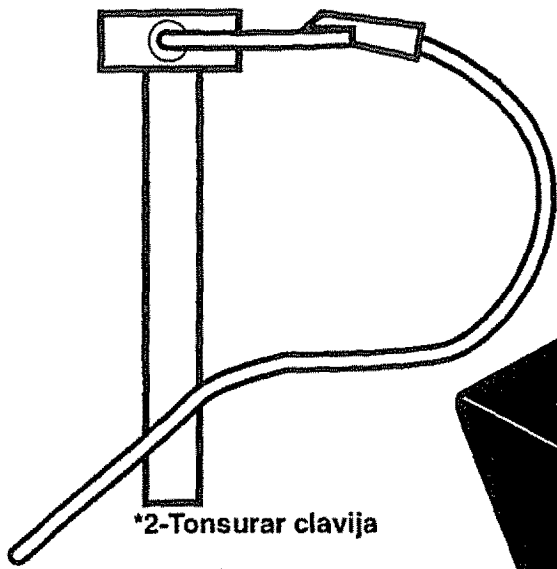




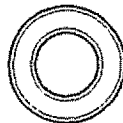
Contenido de la bolsa con las partes, mostradas del tamaño real a menos que se indique

- 1 - Manual del Propietario (no muestra)
- 1 - Paquete estabilizador de combustible
- 1 - Garantía carta (no muestra)
- 2 - Una bolsa (no muestra)

• En la caja de herramientas localizada sobre la cubierta de la correa se encuentran partes que no necesitan ensamblado.



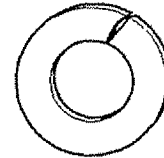
\*2-Tonsurar clavija



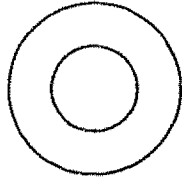
\*2- Espacio de reuesto



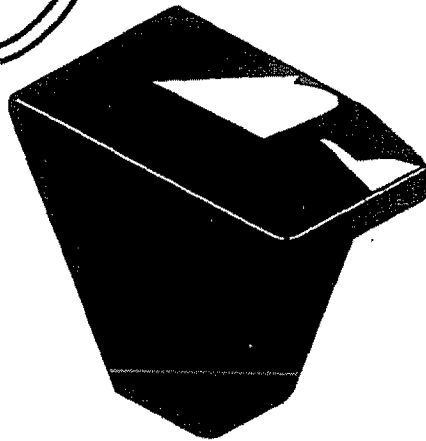
1- Tuerca, 5/16-18 Reghex



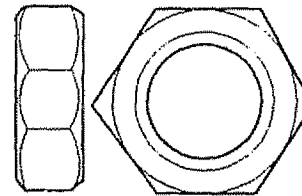
1-Arandela de muelle  
5/16-18 Pulgada



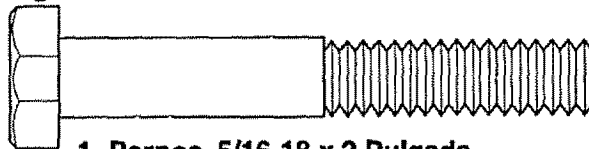
4- Arandela plana 11/32 Pulgada



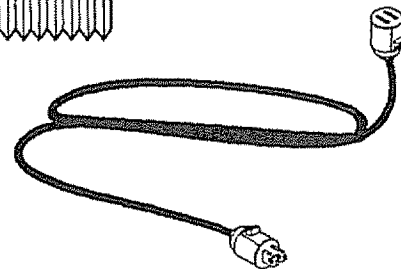
1- Perilla con rosca



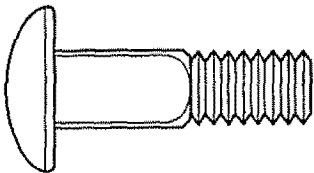
1- Tuerca, 1/2-13 Hexjam



1- Pernos, 5/16-18 x 2 Pulgada



1 - Cueda del arrancador eléctrico



3- Pernos de coche,  
5/16-18 x 1 Pulgada

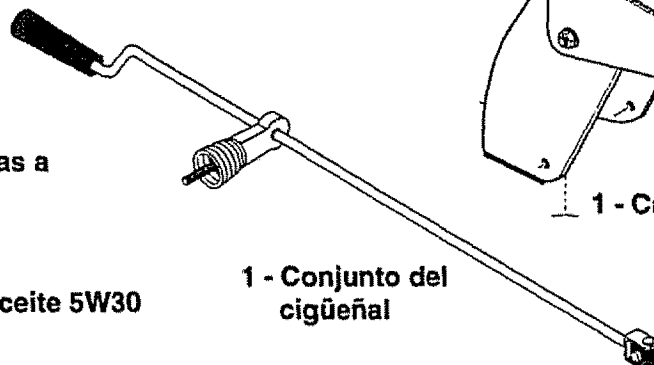


3- Tuerca, 5/16-18 Nylon

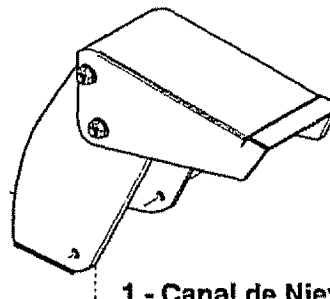
Partes empaquetadas en forma separada en la caja de cartón (no se muestran del tamaño real)



2 - Llaves de ignición adjuntas a motor en bolsa plástica



1 - Conjunto del cigüeñal



1 - Canal de Nieve



1 - Envase de aceite 5W30

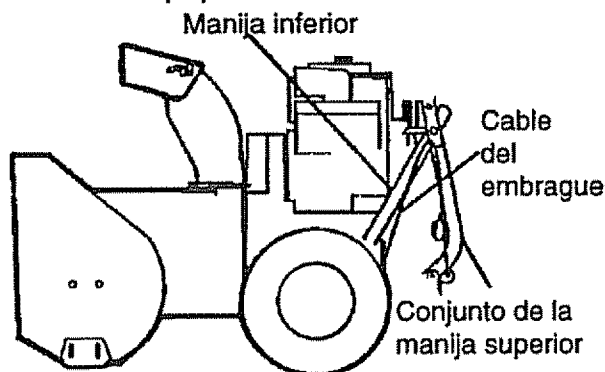
## MONTAJE

**⚠ PRECAUCION:** Siempre use gafas protectoras o protectores para los ojos cuando monte la removedora de nieve.

### HERRAMIENTAS REQUERIDAS PARA EL MONTAJE

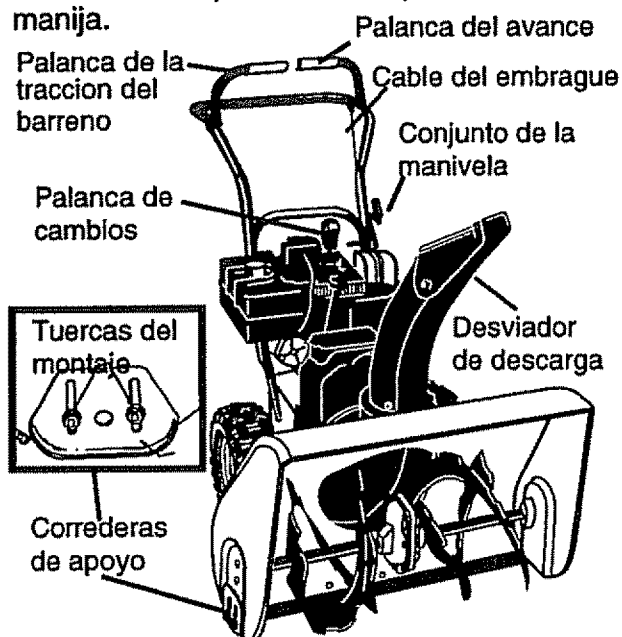
- 1 - Nanaja(para cortar cartón y ataduras plásticas)
- 2 - Llaves de tuercas de 1/2 pulgada(o llaves de tuercas ajustables)
- 2 - Llaves de tuercas de 9/16 pulgada(o llaves de tuercas ajustables)
- 2 - Llaves de tuercas de 3/4 pulgada(o llaves de tuercas ajustables)
- 1 - Tenazas o desatornillador(para extender la chaveata de dos patas)
- 1 - Cinta o regla para medir

La figura abajo muestra la removedora de nieve en la posición de envío.



La figura abajo muestra la removedora de nieve completamente montada.

La referencia de los lados derecho e izquierdo de la removedora de nieve se hace desde la posición del operador en la manija.



### PARA RETIRAR LA REMOVEDORA DE NIEVE DE LA CAJA

- Localice y retire el contenedor de aceite de motor 5W30.
- Localice el conjunto del cigüeñal y canal de nieve y colóquel o a un lado.

**NOTA:** Coloque el estabilizador de combustible hasta que se necesite para almacenar la unidad.

- Retire y descarte todo el material de empaque alrededor de la unidad.
- Corte cada una de las cuatro esquinas de la caja desde la parte superior hasta el fondo y acueste los paneles.
- Haga rodar a la removedora de nieve fuera de la caja, halando de la manija inferior. **PRECAUCION:** NO retroceda sobre los cables.
- Remueva el material de empaque de las manijas superiores e inferiores.
- Corte las amarres que fijan los cables de control del embrague a la manija inferior, y coloque los cables ejos de la cubierta del motor.

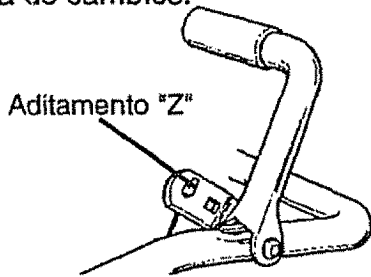
### COMO INSTALAR SU REMOVEDORA DE NIEVE

- Este equipo cuenta con una corredera de apoyo (vea dos figura a la pagina 42) colocada en la parte exterior del alojamiento del barreno. Para ajustar la corredera de apoyo a condiciones diferentes, consulte la sección "Ajuste de la corredera de apoyo en la pagina 55).

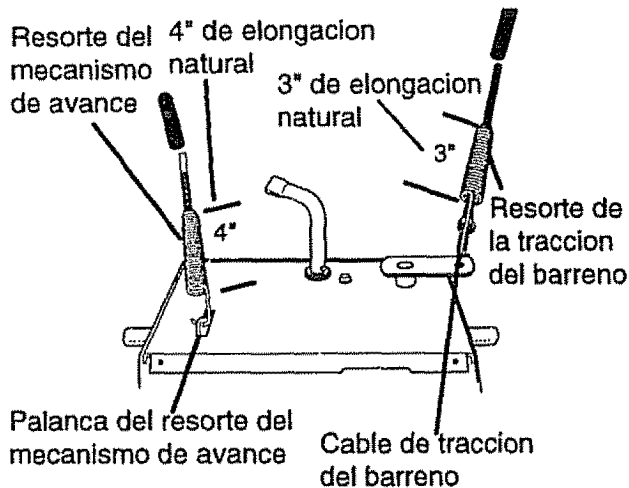
### COMO INSTALAR LA MANIJA DE DIRECCION Y EL CONJUNTO DEL CIGÜEÑAL

- Corte los amarres que fijan la varilla de cambios a la manija inferior y mueva la palanca de cambios a la primera velocidad.
- Afloje pero no remueva los tornillos, arandelas planas, arandelas de muelle y tuercas hexagonales de los orificios de arriba de la manija inferior. Vea tres figura página 43.
- Eleve la manija superior a la posición de operación. La manija superior debe estar del lado de afuera de la manija inferior.
- Instale la quincalla en la media hoya sobre el lado derecho de manijano. No apriete los tornillos en forma de T hasta todos los pernos estan en sitio.

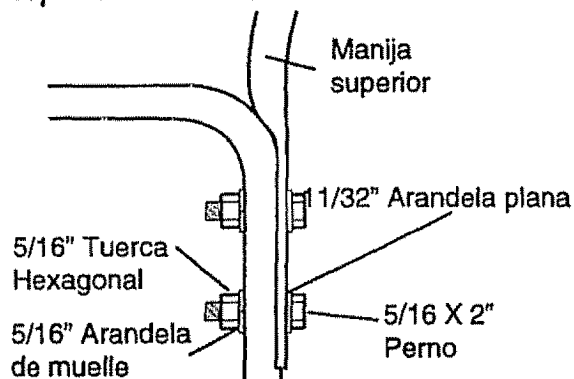
**NOTA:** Si los cables se han desconectado de las palancas de los embragues, reinstale los cables como se muestra en figura abajo.  
**NOTA:** coloque el través de las ranuras en la placa de cambios.



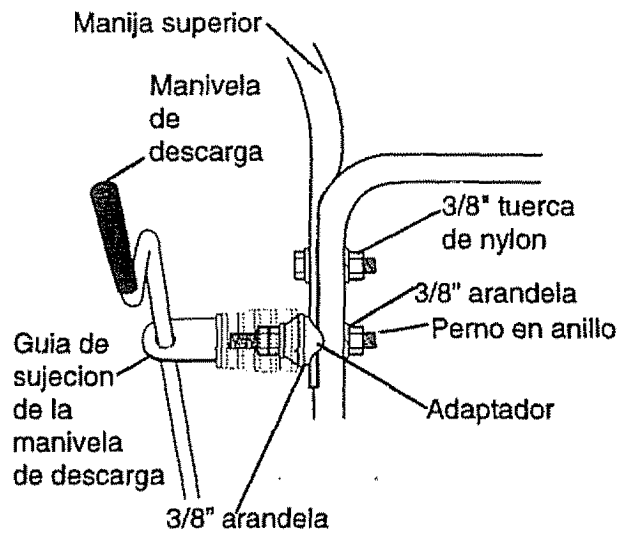
**NOTA:** Si los cables se han desconectado de las palancas de los embragues, reinstale los cables como se muestra en figura abajo.



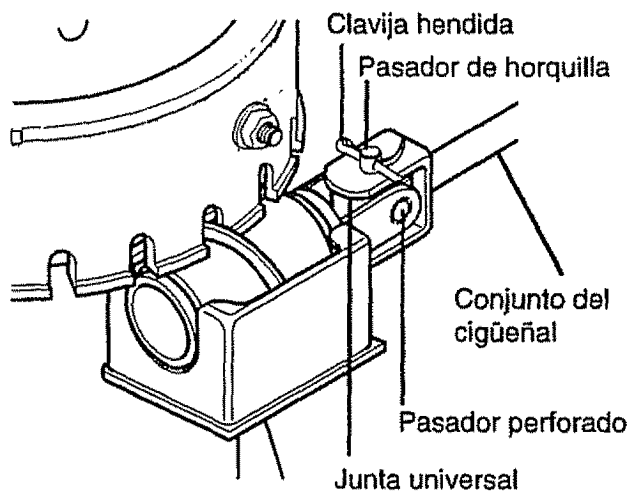
**NOTA:** Asegúrese de que los cables no queden enredados entre las manijas superior e inferior.



- Remueva la tuerca de seguridad de nylon de 3mm(3/8 pulgada) del grupo del perno en anillo (en el conjunto del cigüeñal ya desmontado). Verifique que las contratuercas de 3mm(3/8 pulgada) estén ajustadas.
- Instale el perno en anillo a través del orificio inferior al lado izquierdo de la manija. Vea figura abajo.
- Coloque sin ajustar, la arandela plana y la tuerca de seguridad de nylon, ambas de 3mm (3/8 pulgadas) en el perno en anillo como muestra la figura abajo.

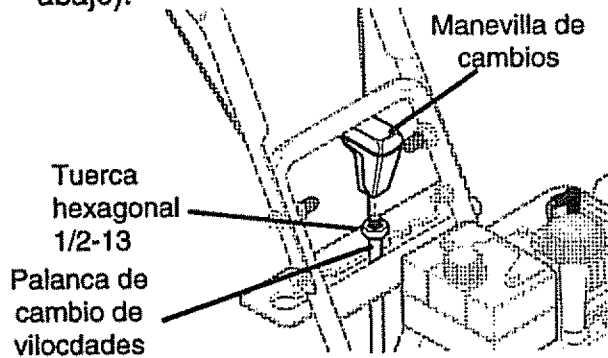


- Cuidadosamente remueva la clavija hendida, el pasador de horquilla y el pasador perforado del extremo de la horquilla del conjunto de la varilla de arranque(vea figura abajo).
- Coloque la junta universal en el extremo del engranaje helicoidal alineando los agujeros grandes. Inserte el pasador perforado (asegúrese que la abertura en el pasador esté alineada con las aberturas pequeñas en la junta universal).
- Coloque el extremo de la horquilla en la varilla de arranque alrededor de la junta universal, alineando las aberturas. Inserte el pasador de horquilla a través del conjunto y asegúrelo con la clavija hendida. Separe los extremos de la clavija hendida para asegurarlo en su lugar. Vea figura abajo.
- Apriete los pernos de la manija.



## PARA INSTALAR LA PERILLA DE LA PALANCA DE CAMBIOS

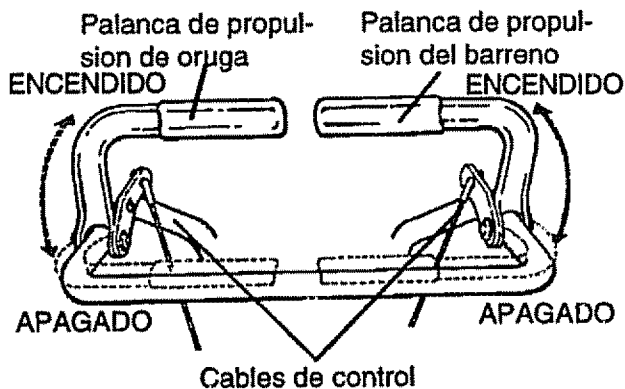
- Enrosque la perilla en el extremo roscado de la palanca de cambios, hasta que haga contacto con la tuerca hexagonal y la lengüeta apunte ejos el motor. Apriete la tuerca hexagonal 1/2-13 contra el fondo dela perilla (vea figura abajo).



## PARA INSPECCIONAR/AJUSTAR LOS CABLES DE CONTROL DEL EMBRAGUE

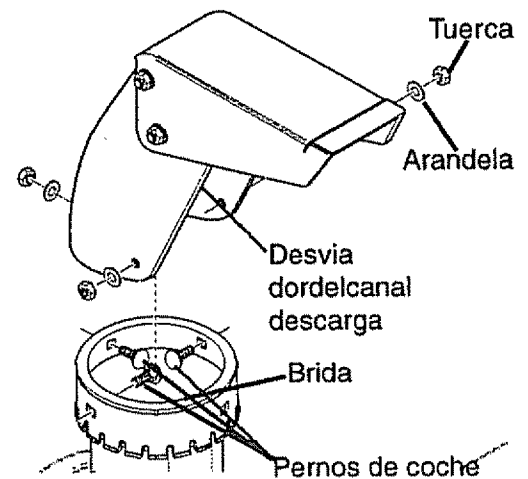
Los cables de control conectados a las palancas del embrague del barreno y la tracción, vea figura abajo, pueden necesitar ajuste antes de que usted use la removedora de nieve.

Consulte la sección "Ajuste de los cables de control del embrague en la página 55) respecto a las instrucciones a seguir para inspeccionar o ajustar los cables de control.



## PARA MONTAR LA REMOVEDORA DE NIEVE

- Ponga el canal de nieve en su brida y alinee los tres agujeros en el canal de nieve con los agujeros en la brida, vea figura abajo.
- Instale a colocar los pernos (se encuentran en la bolsa de piezas)portadores desde la parte interior del canal tal como se muestra en la figura abajo.
- Instale las arandelas y las tuercas (se encuentran en la bolsa de piezas).
- Apriete los tres pernos portadores hasta que queden seguros, vea abajo.



## ✓ LISTA DE REVISION

Antes de operar y disfrutar de su removedora de nieve nuevo, deseamos garantizarle que reciba el mejor rendimiento y la mayor satisfaccion de este producto de calidad.

- ✓ Todos las instrucciones para el montaje han sido completadas.
- ✓ El canal de descarga rota libremente.
- ✓ No quedan partes sueltas en la caja de carton.

Al mismo tiempo que aprende a usar su removedor de nieve, preste atencion especial a los items de improtancia a continuacion:

- ✓✓ El aceite del motor está al nivel adecuado.
- ✓✓ Asegúrese que el estanque de gasolina sin plomo, nueva y limpia.
- ✓✓ Familiarícese con todos los controles- su ubicación y función. Opere los controles antes de hacer arrancar el motor.

## OPERACION

**Palanca de propulsion del barreno –** Arranca y detiene el barreno y el propulsor (regoido y lanzamiento de nieve).

**Palanca de propulsion de oruga –** Impulsa la removedora de nieve hacia delante y en retroceso.

**Palanca de cambio de velocidades –** Seleccione la velocidad de la removedora de nieve(6 velocidades hacia adelante y 2 velocidades en retroceso.)

**Conjunto del cigüeñal –** Cambia la dirección del lanzamiento dela nieve a través del canal de descarga.

**Desviadora del canal de descarga –** Cambia la distancia de lanzamiiento de la nieve.

**Canal de descarga –** Cambia la dirección de lanzamiento de la nieve.

**Correderas de asiento para ajustar la altura –** Ajustan la distancia libre entre el terreno y el alojamiento del barreno.

**Llave de ignición –** Deberá ser insertada para arrancar el motor.

**Manija del arrancador de retroceso –** Arranca el motor manualmente.

**Control de estrangulacion –** Se usa para arrancar un motor frío.

**Boton cebo –** Inyecta el combustible directamente dentro del carburador o distribuidor para un arranque rápido en clima frío.

**Control de la aceleracion –** Controla la velocidad del motor.

**Boton de arrancador electrico –** Se usa para arrancar el motor usando el arrancador eléctrico de 120V.

**Pernos de seguridad por esfuerzo cortante-** pernos especialesque están diseñados para romperse (para proteger la máquina) si un objeto se atora en el alojamiento del barreno. El uso de un perno mas duro destruiria la protección provista por el perno de seguro por esfuerzo cortante.

**Caja de herramientas -** Contiene pasadores de seguridad y espaciadores de repuesto.

## CONNOZCA SU REMOVEDORA DE NIEVE

LEA ESTE MANUAL DEL PROPIETARIO Y LAS REGLAS DE SEGURIDAD ANTES DE OPERAR SU REMOVEDORA DE NIEVE. Compare las ilustraciones con su removedora de nieve para familiarizarse con las posiciones de los diversos controles y ajustes. Guarde este manual para referencia en el futuro.



Aranque Motor



Motor en Marcha



Detencion Motor



Arranque en total



Rapido



Despacio



Parar



Carburante



Presion Aceite



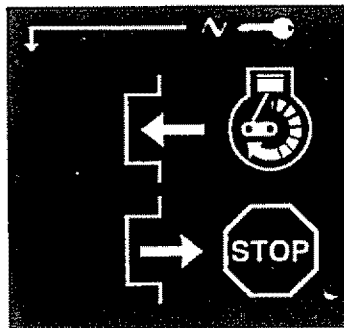
Palanca de propulsion de oruga



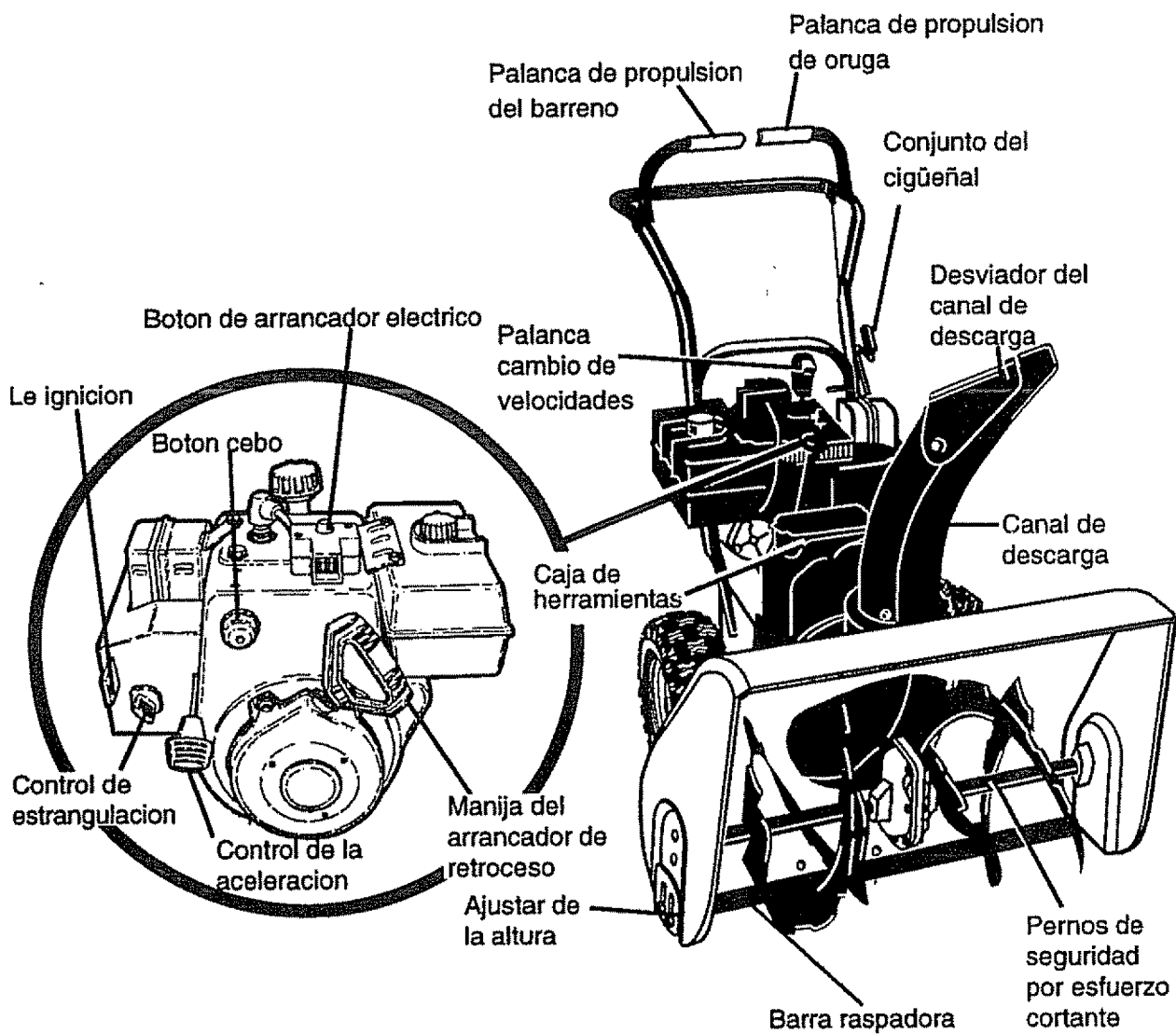
Palanca de propulsion del barreno



Boton cebo



Llave de ignicion  
para arrancar el  
motor inserte llave  
para parar el motor  
retire la llave



La operación de cualquier removedora de nieve puede ocasionar que objetos extraños sean lanzados dentro de sus ojos, lo cual podría resultar en daños severos a los ojos. Use siempre gafas de seguridad o protectores para los ojos mientras opere la removedora de nieve.

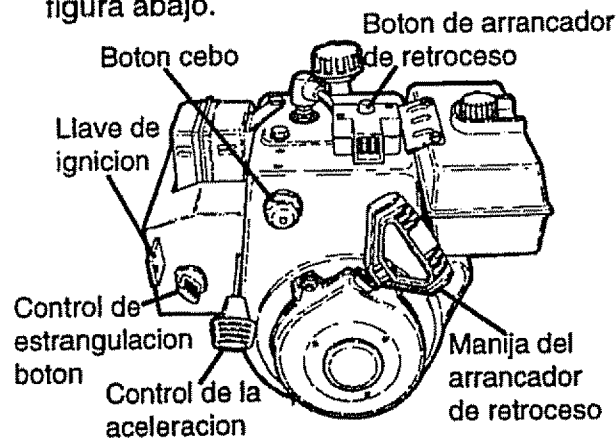
Se recomiendan las gafas de seguridad estándar o la máscara de seguridad de visión amplia para usarla sobre los anteojos disponibles en todas las tiendas o Craftsman Center de Servicio .

**⚠ PRECAUCION:** Lea el manual del propietario antes de operar la maquina. Jamas dirija la descarga hacia espectadores. Pare el motor antes de desobstruir el canal de descarga o el alojamiento del barreno y antes de dejar la maquina.

## COMO USAR SU REMOVEDORA DE NIEVE

### PARA DETENER SU REMOVEDORA DE NIEVE

- Para parar el lanzamiento de nieve, suelte la palanca de propulsión del barreno (vea último figura en la pagina).
- Para parar la oruga, suelte la palanca de propulsión de oruga (vea último figura en la pagina).
- Para parar el motor, empuje la palanca de control de la aceleración a apagado "APAGADO" (OFF) y hale hacia afuera (NO ROTE) la llave de ignición, vea figura abajo.



### PARA CONTROLAR LA DESCARGA DE NIEVE

- Dé vuelta al conjunto del cigüeñal para determinar la **dirección** del lanzamiento de la nieve.
- Afloje la manecilla de mariposa en el desviador del canal de descarga y mueva el desviador para establecer la **distancia**. Mueva el deflector hacia (ARRIBA) para mayor distancia, hacia

(ABAJO) para una distancia menor. Luego apriete la manecilla de mariposa, vea figura abajo.



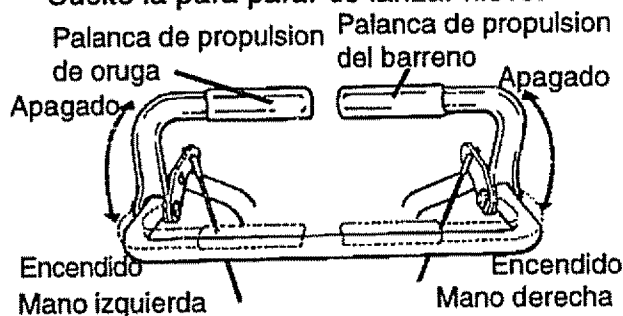
### PARA MOVERSE HACIA ADELANTE Y HACIA ATRAS

- Para cambiar de velocidad, suelte la palanca de propulsión de oruga y mueva la palanca de cambio de velocidad deseada. La velocidad en el terreno estará determinada por las condiciones de la nieve. Seleccione la velocidad que desea moviendo la palanca de cambio de velocidades dentro del área apropiada del panel de control.
  - Velocidades 1,2 - Húmeda, pesada, muy profunda
  - Velocidade 3 - Moderada
  - Velocidade 4 - Muy ligera
  - Velocidade 5, 6 - Para transporte solamente
- Enganche la palanca de propulsión de oruga (vea figura abajo) A medida que la removedora de nieve comienza a moverse, mantenga un agarre firme de las manijas, y guíe la removedora de nieve a lo largo del camino a despejar. No intente empujar la removedora de nieve.
- Para mover la removedora de nieve en retroceso, mueva la palanca de cambio de velocidades a la primera o segunda velocidad del retroceso y enganche la palanca de propulsión de oruga (mano izquierda).

**IMPORTANTE:** Nunca mueva la palanca de cambio de velocidades mientras la palanca de propulsión de la oruga esta abajo.

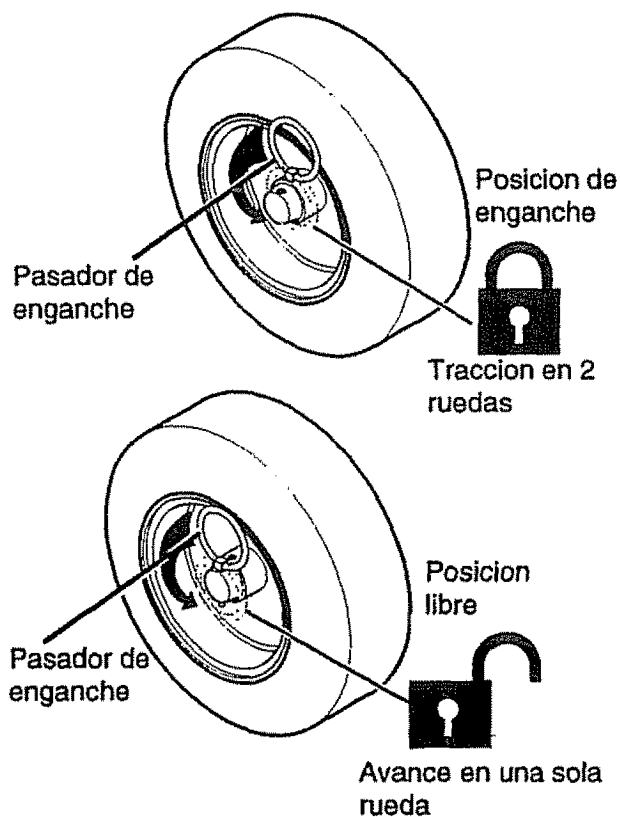
### PARA LANZAR NIEVE

- Empuje la palanca de propulsión del barreno hacia abajo, vea figura abajo.
- Súelte la para parar de lanzar nieve.
  - Palanca de propulsion de oruga
  - Palanca de propulsion del barreno
  - Apagado
  - Apagado
  - Encendido
  - Encendido
  - Mano izquierda
  - Mano derecha



## COMO USAR EL PASADOR DE ENGANCHE DE LA RUEDA

- La rueda izquierda está asegurada al eje mediante un pasador de enganche en anillo. Vea figura abajo. Esta unidad fue despachada con el pasador en la posición de enganche (a través del orificio de la rueda).
- Para mayor maniobrabilidad en condiciones de nieves ligera, desconecte el pasador (sáquelo de la posición de enganche de la rueda) e introdúzcalo en el orificio para tracción sencilla (desenganche solamente el orificio del eje). Vea dos figura abajo.
- Asegúrese de que el pasador esté en la posición de avance normal (tracción sencilla) del eje solamente, y no en la posición de enganche.



## ANTES DE ENCENDER EL MOTOR

- Si necesita mover la máquina removedora sin encender el motor, resultará más fácil moverla halándola hacia atrás mientras agarra la manija, en vez de empujarla.
- Antes de dar servicio o encender el motor, familiarícese con su máquina removedora. Asegúrese de conocer la ubicación y entender la función de todos los controles.

- Asegúrese de que todos los pasadores estén firmes.
- Asegúrese de que las correderas de apoyo estén ajustadas correctamente (consulte la sección "Ajuste de la corredera de apoyo" en la pagina 55).
- Inspeccione la presión de las ruedas (de 228 a 227 kg/cm<sup>2</sup> ó de 14 a 17 PSI). Observe los límites de presión indicados en la cara de la rueda: no los exceda.

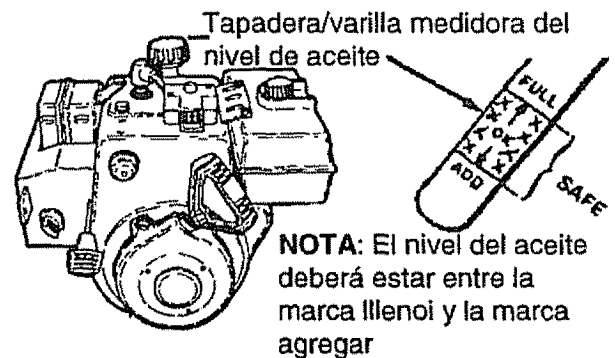
## ANTES DE ARRANCAR EL MOTOR

### Añada aceite al motor:

**NOTA:** El motor podría ya contener algo de aceite residual. Revise con frecuencia al llenar la caja del cigüeñal. No exceda la medida.

Estar removedora de nieve fue enviada con un contenedor de aceite para motor 5W30. Este aceite deberá ser añadido el motor antes de operarlo. Remueva la tapadera/varilla medidora del nivel de aceite y llene la caja del cigüeñal hasta la línea "LLENO" (FULL) en la varilla medidora del aceite (20 onzas) (vea figura abajo).

Apriete la tapadera/varilla medidora del nivel de aceite en forma segura cada vez que revise el nivel de aceite.



**NOTA:** El nivel del aceite deberá estar entre la marca llenoi y la marca agregar

Para condiciones de operación de frio extremo de 0° F y por debajo de ésta, use un aceite de motor 0W30 parcialmente sintético para un arranque más fácil.

## TIPO DE COMBUSTIBLE

**AVISO:** MOTORES QUE ESTAN CERTIFICADOS PARA CUMPLIR CON LAS ESTIPULACIONES DE LAS NORMAS DE EMISION EN EL ESTADO DE CALIFORNIA Y DE LAS NORMAS FEDERALES DE EPA DE EUA PARA MOTORES ULGE: Están certificados para funcionar con gasolina regular sin plomo. Esto incluye los siguientes sistemas de control de emisión: EM, Sistema de reactor( convertidor) Catalítico Tridireccional (para los motores



que estén equipados con este sistema). Todas las características ajustables por el usuario ya cumplen con las normas, por lo tanto no es necesario ningún otro requisito.


**ADVERTENCIA:** La experiencia indica que los combustibles mezclados con alcohol (llamado gasohol o usando etanol o metanol) pueden atraer humedad la cual conduce a la separación y formación de ácidos durante el almacenamiento. Los gases acídicos pueden dañar el sistema de combustible de un motor mientras se encuentra en almacenamiento.

Para evitar problemas del motor, el sistema de combustible debe vaciarse antes del almacenamiento durante 30 días o mayor. Arranque el motor y déjelo en marcha hasta que las líneas de combustible y el carburador estén vacíos. Use el drenaje de la vasija del carburador para vaciar la gasolina residual de la cámara de flotador (Vea la figura en página 60). Use gasolina fresca la siguiente temporada. (vea la "Instrucciones para almacenamiento" para obtener información adicional).

Nunca use productos de limpieza de motor o carburador en el tanque de combustible, de lo contrario podría causar daño permanente.

Llenar el tanque únicamente con gasolina nueva, limpia, regular sin plomo, super sin plomo, o gasolina automotor reformulada. NO usa gasolina con plomo. Asegúrese de que el recipiente que contiene la gasolina a utilizar, esté limpio y sin óxido u otras partículas extrañas. Nunca use gasolina vencida debido a su prolongado almacenamiento.

**NOTA:** Cuando la temperatura alcance - 6,7° C (20°F) o menos, puede usar aceite del tipo S.A.E. 5W-30 para facilitar el encendido del motor.

 **PRECAUCION:** La gasolina es inflamable y se deberá tener mucho cuidado al manipularla o almacenarla.

No llene el tanque de combustible mientras la removedora de nieve se encuentra en marcha, cuando esta cliente, o cuando la removedora de nieve se encuentra en un área cerrada.

Manténgase alejado(a) de llamas abiertas o chispas eléctricas y no fume mientras llena el tanque de combustible.

**NUNCA** llene el tanque completamente. Llene el tanque hasta el nivel entre 1/4-1/2 pulgada desde la parte superior para proporcionar espacio para la expansión del


combustible.

Siempre llene el tanque en ambientes exteriores y use un embudo o boquilla para prevenir el derrame.

Asegúrese de limpiar cualquier combustible derramado antes de arrancar el motor.

Almacene la gasolina en un contenedor, limpio y aprobado, y mantenga la tapadera del contenedor en su lugar.

### PARA PARAR EL MOTOR


- Para parar la marcha del motor, mueva la palanca de control de la aceleración a la posición  (PARAR) y retire la llave. Mantenga la llave en un lugar seguro.

**NOTA: NO ROTE LA LLAVE.**

### PARA ARRANCAR EL MOTOR (Arrancador eléctrico)


Asegúrese de que el motor tenga suficiente aceite. El motor de la removedora de nieve está equipado con un arrancador eléctrico de 120 voltios corriente alterna y arrancador de retroceso. Antes de arrancar el motor, asegúrese de haber leído la información siguiente:

#### ARRANQUE EN FRIO

- Asegúrese de que las palancas de propulsión del barreno y de propulsión de oruga estén en la posición desenganchada "SUELTA" (RELEASED).
- Mueva el control de la aceleración a la posición  (RAPIDO).
- Remueva las llaves de la bolsa plástica. Inserte una llave en la ranura de ignición. **NO ROTE LA LLAVE.** Mantenga la segunda llave en un lugar seguro.
- Rote la manecilla de estrangulación a la posición estrangulación "TOTAL" (FULL).
- Conecte el cable de alimentación eléctrica a la caja de interruptores en el motor.
- Enchufe el otro extremo del cable de alimentación eléctrica en un receptáculo trifilar de 120 voltios y corriente alterna con polo a tierra.
- Empuje el botón cebo mientras cubre el agujero de ventilación de la manera siguiente: (Remueva el dedo del botón cebo entre cebados).  
No efectúe el cebado si la temperatura está sobre 50° F.  
Dos veces si la temperatura está entre 50°F to 15°F.  
Cuatro veces si la temperatura se encuentra por debajo de 15°F.

- Empuje el botón del arrancador hacia abajo hasta que el motor arranque. No intente el arranque por más de 10 segundos a la vez. Este arrancador eléctrico está protegido termalmente. Si se sobrecalienta se detendrá automáticamente y puede ser arrancado nuevamente sólo cuando se ha enfriado hasta una temperatura segura (se requiere una espera de 5 a 10 minutos aproximadamente).
- Cuando el motor arranque, suelte el botón de arranque y ponga la palanca del ahogador en la posición "1/2 ahogador". Cuando el motor esté trabajando uniformemente, mueva la palanca del ahogador a la posición "no ahogador".
- Desconecte el cable de alimentación eléctrica desde el receptáculo primero y luego desde la caja de interruptores en el motor.

**NOTA:** deje que el motor se caliente por algunos minutos antes de soplar nieve, en temperaturas inferiores a - 18°C (0°F).

- Opere el motor a toda velocidad  (RAPIDO) al removerdora nieve.


### ARRANQUE EN CALIENTE

Si está arrancando un motor caliente después de un apagón corto, deje el estrangulador en "APAGADO" (OFF) y no pulse el botón cebo.

**⚠ PRECAUCION:** Este arrancador esta equipado con un cable de alimentacion trifilar y esta diseñado para operar en corriente alterna domiciliar de 120 voltios. Deberá estar conectado a tierra de manera adecuada en todo momento para evitar la posibilidad de un choque electrico, el cual podria causar heridas al operador. Siga las instrucciones cuidadosamente de la manera en que se detallan en la seccion "Para arranca el motor." Verifique que el alambrado de su casa sea trifilar con polo a tierra. Pregunte a un electricista autorizado si no se encuentra seguro. Si el sistema de alambrado de su casa no es un sistema trifilar, no use el arrancador electrico bajo ninguna condicion. Si su sistema tiene polo a tierra y no se encuentra disponible un receptaculo trifilar en el punto en que su arrancador sera usado normalmente, se debe instalar uno por un electricista autorizado. Al conectar el cable de alimentacion electrica de corriente alterna de 120 voltios, siempre conecte el cable a la caja de interruptores en el motor primero,

luego enchufe el otro extremo en el receptaculo trifilar con polo a tierra. Al desconectar el cable de alimentacion electrica, siempre desenchufe el extremo en el receptaculo con polo a tierra primero.

### PARA PARAR EL MOTOR


- Para parar la marcha del motor, mueva la palanca de control de la aceleración  (PARAR) y retire la llave. Mantenga la llave en un lugar seguro. El motor no arrancara sin la llave.

### PARA ENCENDER EL MOTOR


#### (Retroceso Manual)

Cerciórese de que el motor tiene suficiente aceite. Antes de encender el motor, asegúrese de leer toda la información siguiente:

### ARRANQUE EN FRIO (Vea figura, pagina 44)

- Asegúrese de que las palancas de propulsión del barreno y de propulsión de oruga están en la posición desenganche "SUELTA" (RELEASED).
- Mueva el control de la aceleración a la posición  (RAPIDO).
- Introduzca la llave en la ranura del encendido y asegúrese de que calce bien. **NO LA HAGA GIRAR.** Coloque la llave adicional proporcionada en un lugar seguro.
- Rote la manecilla de estrangulación a la **H** posición estrangulación "TOTAL" (FULL).
- Empuje el botón cebo mientras cubre el agujero de ventilación de la manera siguiente: (Remueva el dedo del botón cebo entre cebados).
  - No efectúe el cebado si la temperatura esta sobre 50°F.
  - Dos veces si la temperatura está entre 50°F hasta 15°F.
  - Cuatro veces si la temperatura se encuentra por debajo de 15°F.
- Hale la manivela del arranque con un movimiento seguro y rápido. No deje que la inercia del encendido hale la cuerda del arranque con violencia. Permita que vuelva a enrollarse suavemente mientras sostiene la manivela.
- Mientras el motor se va calentando, mueva la palanca de ahogador a la posición de "1/2 ahogador". Cuando el motor esté funcionando uniformemente, mueva la palanca del ahogador a la posición de "No ahogador".

**NOTA:** deje que el motor se caliente por algunos minutos antes de soplar nieve, en temperaturas inferiores a - 18°C (0°F).

- Opere el motor a toda velocidad  (RAPIDO) al remover nieve.

### ARRANQUE EN CALIENTE

Si está arrancando un motor caliente después de un apagón corto, deje el estrangulador en "APAGADO" (OFF) y no pulse el botón cebo.

### ARRANQUE CONGELADO


**Si el arrancador está congelado y no arranca el motor:**

- Hale tanta longitud de cuerda del arrancador como sea posible.
- Suelte la manija del arrancador y déjela enrollarse de nuevo contra el arrancador.

Si el motor todavía no arranca, repita estos pasos hasta que logre encenderlo.

Para ayudar a evitar la posibilidad de congelamiento del arrancador de retroceso y los controles del motor, proceda de la manera siguiente después de cada trabajo de remoción de nieve.

- **Con el motor en marcha**, hale la cuerda de arranque enérgicamente con un alargamiento de brazo continuo tres o cuatro veces. El halado de la cuerda de arranque producirá un sonido de repiqueteo fuerte. Esto no causa daño ni al motor ni al arrancador.
- **Con el motor parado**, limpie toda la nieve y humedad de la cubierta del carburador en el área de las palancas de control. Asimismo, mueva el control de aceleración, control de estrangulación, y manija del arrancador varias veces y deje el estrangulador en la posición, "TOTAL" (FULL) y la palanca de aceleración en la posición (RAPIDO).

 **PRECAUCION:** No intente remover cualquier elemento que resulte atorado en barreno si tomar las precauciones siguientes:

- Suelte las palancas de propulsión del barreno y de propulsión de oruga.
- Mueva la palanca de control de la aceleración a la posición parar.
- Remueva (no rote) la llave de ignición.
- Desconecte el alambre de la bujía.
- No coloque las manos en el barreno o canal de descarga. Use una barra de apalancamiento.

### PISTAS SOBRE LANZAMIENTO DE NIEVE

- Para mayor eficiencia de lanzamiento de nieve durante la remoción de la misma, ajuste la velocidad en el terreno, NUNCA la aceleración. Avance lentamente en nieve profunda, congelada, o húmeda. Si la oruga desliza, reduzca la velocidad hacia adelante. El motor está diseñado para brindar un rendimiento máximo bajo aceleración total y debe ser operado en este valor de potencia en todo momento.
- El lanzamiento de nieve es más eficiente si la remoción de la misma se efectúa inmediatamente después de su caída.
- Para una remoción completa de la nieve, trasape ligeramente cada camino adoptado previamente. En nieve profunda, superponga los barridos entre sí para evitar sobrecargar la máquina.
- La nieve debería ser descargada en la dirección del viento siempre que sea posible.
- Para uso normal, posicione las correderas de apoyo de manera tal que la barra raspadora se encuentre 1/8 de pulgada sobre las correderas de apoyo. Para superficies de nieve dura extremadamente compacta, ajuste las correderas de apoyo hacia arriba de manera que la barra raspadora haga contacto con el terreno.
- En superficies de grava o roca triturada, posicione las correderas de apoyo a 1-1/4 pulgadas por debajo de la barra raspadora (Vea el párrafo "Cómo ajustar la altura de las correderas de apoyo" en la página 55). Las rocas y grava no deberán ser recogidas y lanzadas por la máquina.
- Si la parte delantera de la removedora de nieve tiene la tendencia de elevarse reduzca la velocidad sobre el terreno y enganche el sistema de transferencia de peso.
- Después de que se haya completado el lanzamiento de nieve, permita que el motor se encuentre en reposo por unos cuantos minutos, lo cual derretirá la nieve y hielo acumulado del motor.
- Efectúe una limpieza completa de la removedora de nieve luego de cada uso.
- Remueva la acumulación de hielo y nieve y todo material extraño heterogéneo de la removedora de nieve en su totalidad, y lave con agua (si fuese posible) para remover toda sal u otras sustancias químicas. Seque la removedora de nieve.

**⚠ PRECAUCION:** Nunca ponga el motor en marcha en ambientes interiores o en áreas encerradas, mal ventiladas. El escape del motor contiene monóxido de carbono, un gas inodoro y letal. Mantenga las manos, pies, cabello y vestimenta floja alejados de cualesquiera piezas móviles en el motor y en la removedora de nieve.

**ADVERTENCIA:** Las temperaturas del escape y áreas cercanas podrían exceder los 150°F. evite estas áreas.

**NO PERMITA** a niños o adolescentes jóvenes operar o estar cerca de la removedora de nieve mientras esta se encuentra en operación.

## ESPECIFICACIONES

CABALLOS DE FUERZA: 5CV	
DESPLAZAMIENTO: 12.04 pulg. cúbicas	
CAPACIDAD DE GASOLINA: 2 cuartos (sin plomo)	
ACEITE (20 oz. capacidad) : 5W-30	
BUJIA:	Champion RJ19LM  ( ENTREHIERRO.030 PULG.)
HOLGURA DE VALVULAS: Entrada: .010 Escape: .010 In.	

## MANTENIMIENTO

### RESPONSABILIDADES DEL CLIENTE

REGISTROS DE SERVICIO	PROGRAMA							FECHAS DE SERVICIO			
	Después de las primeras 2 horas	Antes de cada uso	De acuerdo a lo necesario	Cada 10 Horas	Cada 25 Horas	Primero de cada temporada	Antes del almacenamiento				
Revisar el nivel aceite del motor		✓				✓					
Cambiar el aceite del motor					✓	✓					
Apretar todos los tornillos y tuercas	✓	✓	✓								
Revisar el ajuste del cable del embrague de la oruga	✓					✓					
Reemplazar la bujía					✓	✓					
Reemplazar correas impulsoras						✓					
Lubricar todos los puntos pivote				✓			✓				
Drenar combustible							✓				
Revisar el ajuste del cable del embrague del barreno	✓					✓					
Lubricar el aditamento zerk del disco de tracción					✓		✓				

### RECOMENDACIONES GENERALES

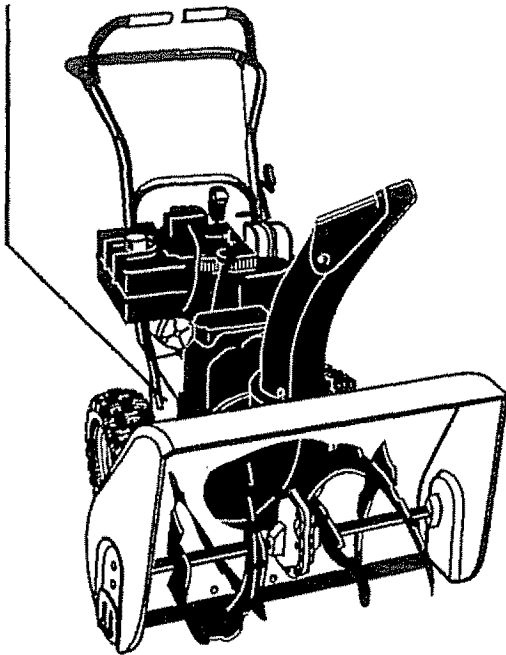
La garantía de esta removedora de nieve no cubre elementos que han estado sujetos a abuso o negligencia del operador. Para recibir el valor total de la garantía, el operador deberá dar mantenimiento a la removedora de nieve de acuerdo a las instrucciones contenidas en este manual. Se necesitará efectuar algunos ajustes periódicamente para mantener apropiadamente su removedora de nieve. Todos los ajustes en la sección. Servicio y ajustes de este manual deberían ser verificados por lo menos una vez durante la estación.

### DESPUES DE USARLA POR PRIMERA VEZ

- Examine todas las piezas para ver si están sueltas o dañadas.
- Ajuste todos los pernos que estén flojos.
- Inspeccione y dé mantenimiento al barreno.
- Cada vez que la use, retire de la removedora cualquier resto de nieve o fango para evitar la congelación del barreno y los controles.
- Inspeccione los controles y verifique su buen funcionamiento.
- Si existe alguna parte desgastada o dañada, reemplazar inmediatamente.

## TABLA DE LUBRICACION

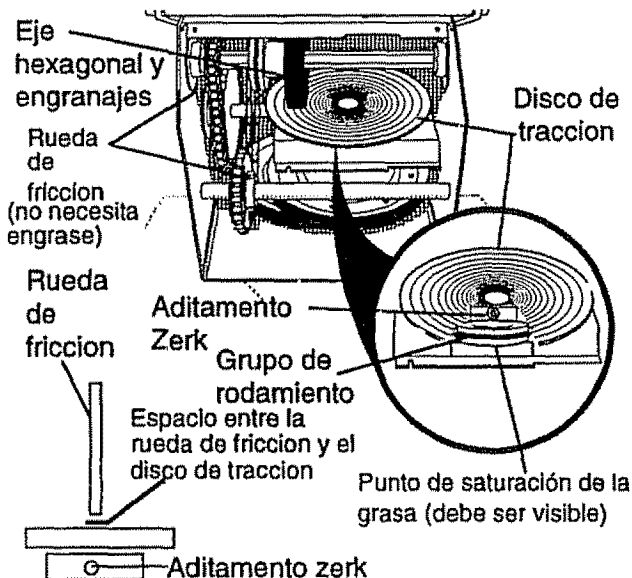
Lubrique a través de la toma de engrase del disco de tracción, usando grasa Moly para alta temperatura y presión (Hi-Temp Moly EP.



## REMOVEDORA DE NIEVE

### LUBRICACION - CADA 25 HORAS

- Grasa disco de tracción cada 25 horas, al final de la temporada fría y/o antes de guardar la unidad.
- Ponga la palanca de cambios en la primera velocidad.
- Haga girar el disco manualmente en el sentido de las agujas del reloj hasta que el aditamento zerk sea visible al frente y al entro. Vea figura abajo.



- Coloque una moneda o cuña de igual grosor, entre la rueda de fricción de goma y el disco de tracción para evitar su contacto.
- Para efectuar el engrase, utilice grasa Moly para alta temperatura y presión (Hi Temp EP Moly) vea llamada interna en figura abajo). **NO** permita que la grasa desborde o entre en contacto con el disco o la rueda de fricción, ya que podrían dañarse. Ponga grasa en cantidad suficiente y sólo hasta que sea visible al nivel del rodamiento debajo del aditamento zerk.

**IMPORTANTE:** Retire la moneda o cuña y asegúrese de que existe un espacio entre la rueda de fricción y el disco de tracción.

**NOTA:** Limpie todo exceso de gras del cubo de la rueda de fricción.

**PRECAUCION:** No permita que la grasa entre en contacto con la rueda de fricción o el disco de tracción.

## LUBRICACION

- Eje hexagonal y engranajes - No requier en lubricación alguna. Todas las partes móviles están lubricadas de por vida y no necesitan mantenimiento. Vea figura arriba.

**NOTA:** Si pone grasa o aceite en los compomentes mencionados, la misma puede contaminar la rueda de fricción. Si el disco de tracción o la rueda de fricción se contaminan con grasa o aceite, pueden producirse daños a la rueda de fricción.

Si cae aceite o grasa sobre el disco de tracción o la rueda de fricción, asegúrese de limpiarlos cuidadosamente.

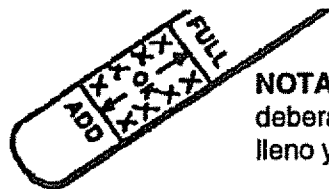
**NOTA:** Cuando vaya a guardar la unidad, pase una toalla impregnada en aceite de motor 5W30 por el eje hexagonal y los engranajes para evitar su oxidación.

- Caja de engranaje del barrena - La caja de engranajes de la barrena se lubrica en la fábrica y no debe necesitar lubricación adicional. Si por alguna razón el lubricante se fuga o si la caja de engranajes de la barrena ha recibido servicio, agregue Lubriplate No. 630-AA o su equivalente. Se debe usar un máximo de 3-1/4 onzas. Remueva el tapón del relleno una vez al año. Vea figura abajo. Si hay grasa si es necesario. Vuelva a instalar el tapón del relleno de la caja de engranajes.

## MOTOR

### LUBRICACION

Revise el nivel de aceite de la caja del cigüeñal(vea figura abajo) antes de arrancar el motor y después de cada cinco (5) horas de uso continuo. Agregue aceite de motor S.A.E. 5W30 de acuerdo con lo que se requiera. Apriete la tapadera/varilla de medición del aceite en forma segura cada vez que revise el nivel del aceite. Cuando la temperatura baje a  $-6,7^{\circ}\text{C}$  ( $20^{\circ}\text{F}$ ) o menos, puede usar aceite del tipo S.A.E. 5W30 para facilitar el encendido del motor.



**NOTA:** El nivel del aceite debera estar entre la marca lleno y la marca agregar

### RECOMENDACION DE ACEITE

Use solamente aceite detergente de alta calidad calificado con la clasificación SSG servicio API. Seleccione el grado de viscosidad del aceite de acuerdo a la temperatura de operación esperada.

**NOTA:** En condiciones de frío extremo,  $-17,7^{\circ}\text{C}$  ( $0^{\circ}\text{F}$ ) o menos, use aceite de motor parcialmente sintético 0W30 para facilitar el encendido.

**NOTA:** Aunque los aceites de viscosidad múltiple facilitan el arranque en clima frío, estos aceites de viscosidad múltiple resultan en un incremento en el consumo de aceite al usarse sobre  $32^{\circ}\text{F}$ . Verifique el nivel del aceite de su motor con mayor frecuencia para evitar posibles daños al motor causados por operación con un nivel bajo de aceite.

Cambie el aceite después de las primeras dos horas de operación y cada 25 horas en lo sucesivo o al menos una vez al año si la removedora de nieve no se usa durante 25 horas.

- Coloque la removedora de nieve de manera tal que el tapón de drenaje del aceite sea el punto más bajo del motor. Remueva el tapón de drenaje del aceite y tapadera/varilla medidora del nivel del aceite. Drene el aceite en un contenedor apropiado. El aceite fluirá mejor al encontrarse caliente.
- Coloque nuevamente el tapón de drenaje del aceite y apriételo en forma segura. Llene nuevamente la caja del cigüeñal y apriete en forma segura. Llene nuevamente la caja del cigüeñal con aceite de motor S.A.E. 5W30.

### BUJIA

- Asegúrese de que la bujía esté apretada en forma segura en el motor y que el alambre la bujía esté conectado a ésta.
- Si se encuentra disponible una llave de torsión, aplique un momento de 18 a 23 pies-libra a la bujía.
- Limpie el área alrededor de la base de la bujía antes de removerla para evitar que entre suciedad en el motor.
- Limpie la bujía y restaure el entrehierro periódicamente a 0.030 pulgadas.

## SERVICIO Y AJUSTES

**⚠ PRECAUCION:** Siempre desconecte el alambre de la bujía y amarrelo alejado de la bujía antes de efectuar cualesquiera ajustes y reparaciones.

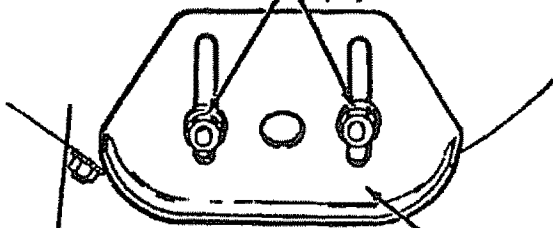
### PARA AJUSTAR LA ALTURA DE LA CORREDERA DE APOYO

Esta removedora de nieve está equipada con dos correderas de apoyo de altura ajustable, ubicadas en el lado exterior del alojamiento del barreno, vea figura abajo. Estas correderas de apoyo elevan la parte delantera de la removedora de nieve.

Para superficies duras normales, ajuste las correderas de apoyo de la forma siguiente:

- Examine la presión de las ruedas (de 228 a 277 kg/cm<sup>2</sup> ó de 14 a 17 PSI).
- Coloque los pernos de seguro por esfuerzo cortante extra proveídos (se encuentran en la bolsa de piezas) baja cada extremo de la barra raspadora pero no bajo las correderas de apoyo.
- Afloje los pernos de montaje de la corredera de apoyo y empuje las correderas de apoyo hacia abajo hasta que entren en contacto con el terreno.

Tuercas de montaje de las correderas de apoyo



Alojamiento del barreno

Corredera de apoyo

Apriete nuevamente las tuercas de montaje.

- Coloque la corredera de apoyo del otro lado, al mismo nivel.

Para superficies rocosas o irregulares, levante la parte delantera de la removedora de nieve moviendo las correderas de apoyo más abajo. Esto ayudará a evitar que rocas u otros materiales extraños heterogéneos sean recogidos y lanzados por el barreno.

**NOTA:** Si las correderas de apoyo se encuentran en su altura máxima, el sistema de transferencia de peso no funcionará.

### PARA AJUSTAR LA BARRA RASPADORA

Después de uso considerable, la barra raspadora de metal tendrá un patrón de

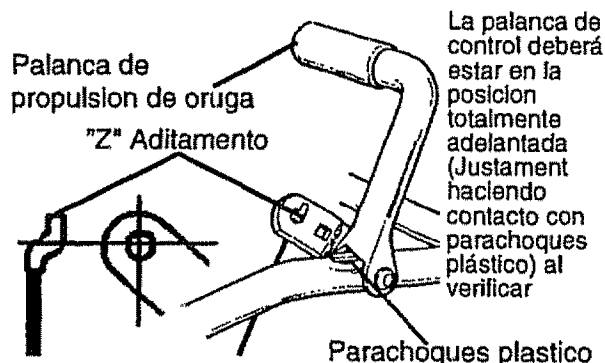
desgaste definido. La barra raspadora podría tener que ser regresada a su posición original más baja a fin de mantener el nivel de rendimiento original. Para ajustarlo:

- Coloque la removedora de nieve en una superficie plana.
- Afloje los pernos de carruaje y tuercas que aseguran la barra raspadora al alojamiento del barreno.
- Ajuste la barra raspadora a la posición apropiada.
- Apriete los pernos y tuercas de carruaje, asegurándose de que la barra raspadora esté paralela con la superficie de trabajo.
- Después de operación extensa, la barra raspadora podría invertirse. Si la barra raspadora deberá ser reemplazada debido a desgaste, remueva los pernos y tuercas de carruaje e instale una barra raspadora nueva.

**⚠ PRECAUCION:** Asegurese de mantener la distancia adecuada hacia el terreno para su área particular a ser despejada. Los objetos tales como grava, rocas u otros materiales extraños heterogéneos, de ser golpeados por el impulsor, podría tirarlos con suficiente fuerza como para causar heridas personales, daño a propiedades o daño a la removedora de nieve.

### PARA AJUSTAR LOS CABLES DE CONTROL DEL EMBRAGUE

Se podría requerir el ajuste periódico de los cables debido al estiramiento normal y el desgaste en las correas. Para verificar el ajuste correcto, la palanca de control deberá estar completamente adelantada, descansando en el parachoques plástico. Los cables de control están ajustados correctamente cuando el centro del aditamento "Z" está en el centro del agujero y no hay holgura en el cable. Vea figura abajo.



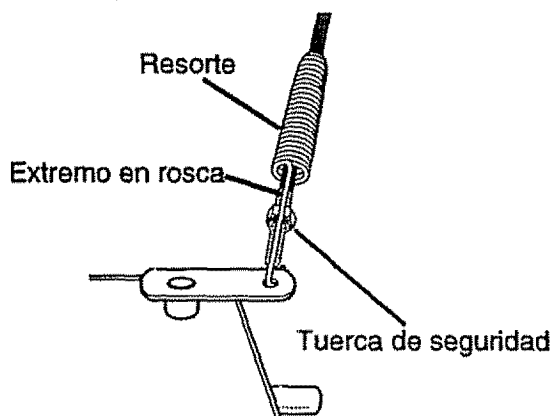
Palanca de propulsión de oruga  
"Z" Aditamento

La palanca de control deberá estar en la posición totalmente adelantada (Justament haciendo contacto con parachoques plástico) al verificar

Parachoques plástico

### Si el ajuste es necesario:

- Extraiga toda la gasolina del tanque. Coloque la máquina apoyada sobre el extremo de la barrena.
- Desconecte el aditamento "Z" de la palanca de propulsión.
- Empuje el cable a través del resorte, vea figura abajo para exponer la porción roscada del cable.
- Sostenga el extremo cuadrado de la porción roscada con tenazas y ajuste la tuerca de seguridad hacia adentro o hacia afuera hasta que la holgura en exceso sea removida.
- Hale el cable de nuevo a través del resorte y conecte el cable.



- Haga lo mismo para el otro cable de palanca, si fuese necesario. Haga lo mismo con el otro cable de la palanca.

**NOTA:** Siempre que el propulsor de oruga o las correas del barreno sean ajustadas o reemplazadas, los cables deberán ser ajustados.

### PARA AJUSTAR LAS CORREAS CORREA DE PROPULSION DEL BARRENO

Si su removedora de nieve no descarga nieve, verifique el ajuste del cable de control. Si está correcto entonces verifique la condición de la correa de propulsión del barreno. Podría estar floja o dañada. Si esta dañada, reemplácela (Vea el párrafo "Para reemplazar correas" en la página).

### CORREA DE PROPULSION DE LA ORUGA

La correa de propulsión de la oruga tiene presión constante de resorte y no requiere ajuste. Verifique el ajuste del cable del control del embrague antes de reemplazar la correa.

Reemplace la correa de propulsión de la oruga si aún está resbalando (vea la el

párrafo "Para reemplazar correas" en la página).

### PARA REEMPLAZAR CORREAS

Las correas de propulsión en esta removedora de nieve son de construcción especial y deben ser reemplazadas con correas de equipo original disponibles en su Tienda **Craftsman** o Centro de Servicio **Craftsman** más cercano.

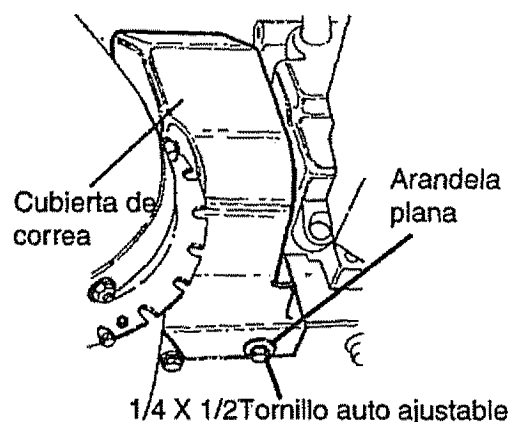
Necesitará la asistencia de una segunda persona mientras reemplaza las correas. Drene la gasolina del tanque de combustible removiendo la línea de combustible. Drene la gasolina e instale nuevamente la línea de combustible.

**⚠ PRECAUCION:** Drene la gasolina al aire libre, lejos de fuego o llamas.

### CORREA PROPULSORA DE BARRENO

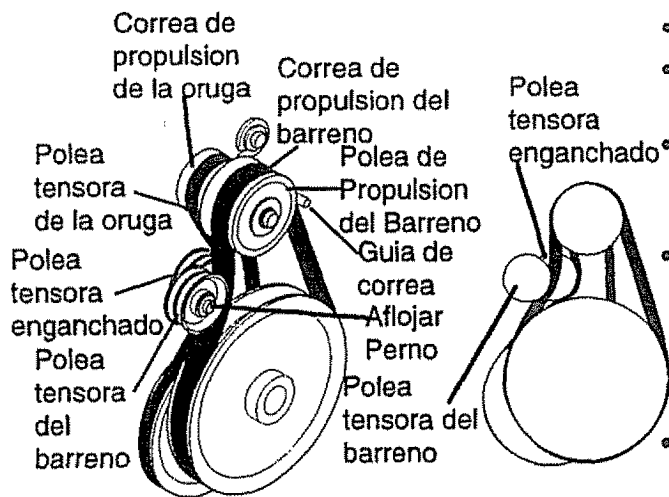
Si su removedora de nieve no descarga nieve, y la correa de propulsión del barreno está dañada, reemplácela de la siguiente manera:

- Desconecte el alambre de la bujía.
- Remueva la cubierta de la correa (vea figura abajo).



- Afloje las guías de la correa (vea primero figura en la página 57) y aléjelas de la polea de tracción.
- Afloje la tuerca de la polea tensora del barreno y saque la correa.





- Afloje dos pernos de la parte de abajo del alojamiento del barreno. Ésta se separará de la cubierta del motor, girando alrededor de los dos pernos.
- Remueva la correa de la polea de tracción del motor.
- Instale una correa original de reemplazo en orden inverso al de extracción.
- Coloque la correa en la polea de tracción del barreno.
- Ajuste la guía de la correa (vea la sección "Ajuste de las guías de la correa" en la página).
- Coloque nuevamente el guarda correa.
- Inspeccione la tensión del cable de control del embrague.
- Conecte nuevamente el alambre de la bujía.

## CORREA PROPULSORA DE LA ORUGA

Si su removedora de nieve no se mueve hacia adelante, revise la correa propulsora de la oruga para averiguar su desgaste. Si la correa propulsora de la oruga necesita ser reemplazada, proceda de la siguiente manera:

- Desconecte el alambre de la bujía.
- Remueva la cubierta de la correa. (vea segundo figura en la página 56).
- Afloje la guía de la correa (vea primero figura, en la página) y aléjelas de la polea del motor.
- Afloje la tuerca de la polea tensora y aléjela de la correa.
- Remueva la correa de tracción del barreno, de la polea del motor.
- Separe la polea tensora de la correa de tracción.

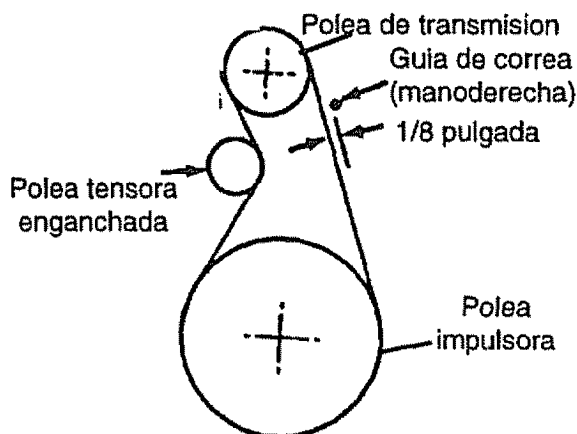
- Saque la correa de tracción.
- Enganche la nueva correa de tracción alrededor de la polea de tracción.
- Hale la polea tensora alejándola de la correa, así podrá colocar la correa en la polea del motor.
- Libere la polea tensora, asegurándose de que enganche correctamente con la correa.
- Instale de nuevo la correa de tracción del barreno.
- Ajuste la guía de la correa (vea la sección "Ajuste de las guías de la correa" más abajo).
- Ajuste la tensión sobre la correa del barreno.
- Reinstale el guarda correas.
- Conecte el alambre de la bujía.

## AJUSTE DE LAS GUÍAS DE LA CORREA

Cuando usted cambie la oruga o la correa de tracción del barreno, será necesario ajustar una o las dos guías de la correa.

Proceda de la manera siguiente:

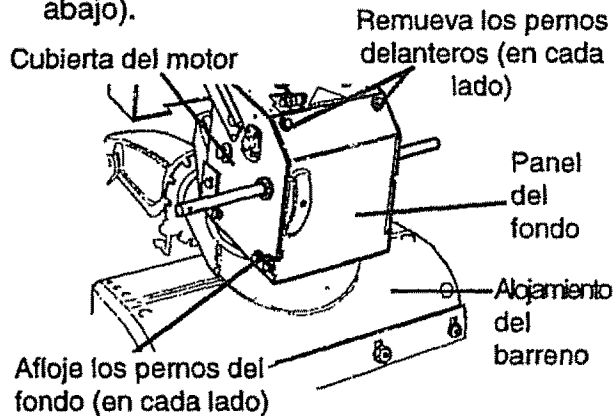
- Desconecte el alambre de la bujía.
- Remueva el guardacorrea (Vea segundo figura en página 56).
- Accione la palanca del embrague del barreno.
- Mida la distancia entre la correa y sus guías (vea dos figura abajo). Esta distancia debe ser de 2,4mm (1/8 pulgada) para cada guía.



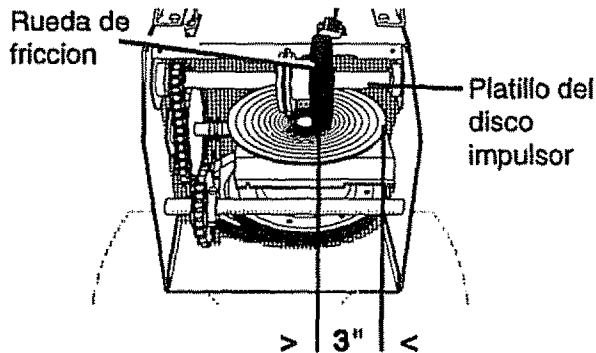
- Si requieren de ajuste; afloje los pernos de sostén de las guías; mueva las guías a la posición correcta y apriete los pernos nuevamente.
- Coloque nuevamente el guarda correas.
- Conecte el alambre de la bujía.

## PARA AJUSTAR LA RUEDA DE FRICCION

- Desconecte el alambre de la bujía.
- Drene la gasolina del tanque para combustible.
- Coloque la removedora de nieve en posición vertical sobre el extremo del barreno.
- Remueva el panel inferior (vea figura abajo).



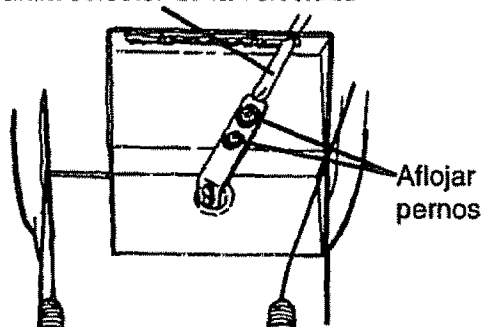
- Coloque la palanca de cambios en primera (1) velocidad hacia adelante.
- Nota la posición de la rueda de fricción en el platillo del disco impulsor. El lado derecho más hacia afuera del disco de tracción debe estar a 7,6 cm (3 pulgadas) del centro de la rueda de fricción (vea figura abajo).



### Si un ajuste fuese necesario:

- Afloje los tornillos en la palanca de velocidad (vea figura abajo).

Varilla selector de la velocidad



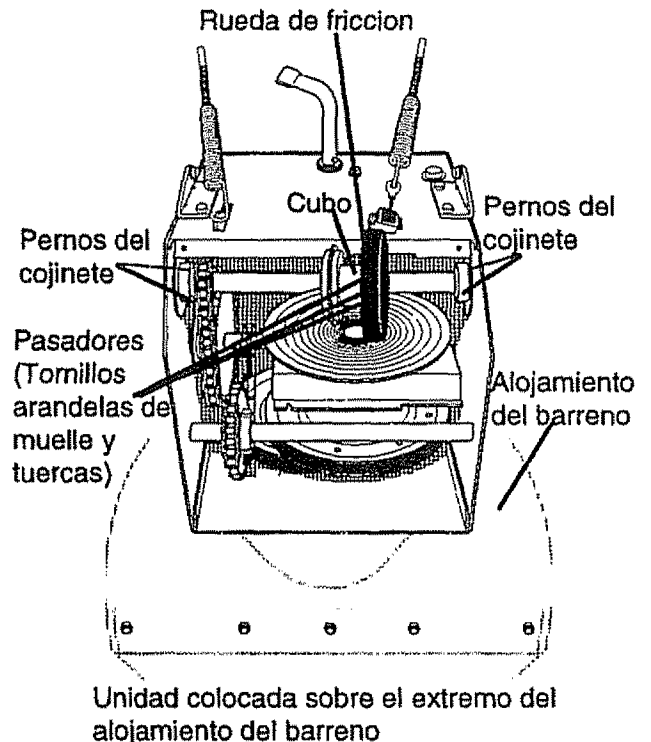
- Lleve la rueda de fricción a la posición apropiada como se indicó en el paso anterior.
- Apriete de nuevo los pernos de la palanca de velocidad.
- Reinstale el panel inferior.

## PARA REEMPLAZAR LA RUEDA DE FRICCION

Si la removedora de nieve no avanza hacia adelante, y la rueda de fricción esta gastada o dañada, deberá reemplazarla, de la siguiente manera: **(Primero permita que enfrie el motor).**

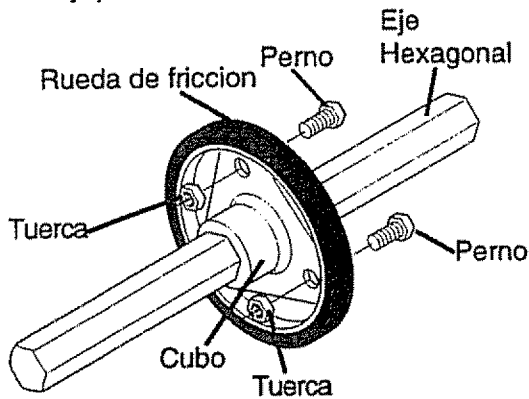
**PRECAUCION:** Drene la gasolina al aire libre, lejos de fuego o llamas.

- Drene la gasolina del tanque de gasolina removiendo la línea de combustible. Drene el combustible y reinstale la línea de combustible.
- Desconecte el alambre de la bujía.
- Coloque la removedora de nieve en posición vertical sobre el extremo del barreno. Vea figura abajo.



- Remueva el panel del fondo (vea primero figura en la pagina).
- Remueva los tres pasadores que sostienen la rueda de fricción al cubo y colóquelos a un lado. (vea primero figura en la pagina 59).

- Remueva los cuatro pernos que fijan los cojinetes, a ambos lados (vea una figura abajo).



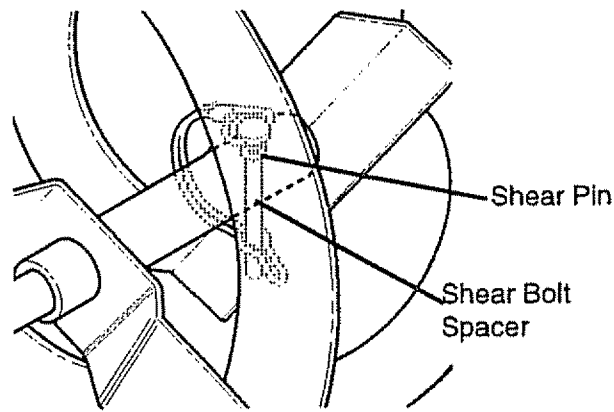
- Remueva el cojinete derecho, dejando el eje hexagonal en su posición original.
- Retire la rueda de fricción del cubo y sáquela hacia el lado derecho del eje hexagonal. (Vea cuarto figura en la página 58)
- Coloque la nueva rueda de fricción en el cubo.
- Lleve los cojinetes a sus posiciones originales. Asegúrese de que el eje hexagonal enganche en ambos cojinetes.
- Asegure los cojinetes usando los pernos sacados anteriormente.
- Fije la rueda de fricción al cubo, usando los pasadores sacados anteriormente. Asegúrese de que el eje hexagonal gire libremente.
- Si la rueda de fricción requiere ajuste, (consulte la sección "Ajuste de la rueda de fricción" en la página 58).

**NOTA:** Asegúrese de que la rueda y el disco de fricción no tengan grasa alguna.

- Coloque de nuevo el panel del fondo.

### PARA REEMPLAZA EL PERNO DE SEGURO POR ESFUERZO CORTANTE DEL BARRENO

Los barrenos están asegurados al eje de transmisión del barreno con pernos especiales(vea figura abajo) que están diseñados para romperse (para proteger la máquina) si un objeto se atora en el alojamiento del barreno. El uso de un perno mas duro destruiría la protección provista por el perno de seguro por esfuerzo cortante.



**IMPORTANTE:** Para garantizar la seguridad y los niveles de rendimiento, se debe usar solamente pernos de seguridad por esfuerzo cortante de equipo original.

**Para reemplazar un perno de seguridad por esfuerzo cortante roto, proceda de la siguiente manera:**

- Mueva la aceleración a (PARAR) y apague todos los controles.
- Desconecte el alambre de la bujía. Asegúrese de que todas las piezas móviles se han detenido.
- Remueva el perno de seguro por esfuerzo cortante roto.
- Alinear el agujero en el hélice propulsor con el agujero en el eje del éste. Instalar un nuevo pasador de seguridad y espaciador, los cuales se encuentran en la caja de herramientas localizada sobre la cubierta de la correa.
- Reconecte el alambre de la bujía.

### PARA AJUSTAR EL CARBURADOR

Si piensa que su carburador necesita ser ajustado, vaya al concesionario de autorizado centro de servicio Craftsman más cercano. El rendimiento del motor no debe ser afectado en altitudes de hasta 2.100 m (7.000 pies). Para operar este motor en altitudes más elevadas, póngase en contacto con su concesionario de autorizado centro de servicio Craftsman .

**IMPORTANTE:** Nunca experimente con el gobernador del motor, el cual está configurado de fábrica para la velocidad apropiada del motor. El exceso de velocidad del motor por encima del ajuste de alta velocidad de fábrica puede ser peligroso. Si usted cree que la alta velocidad gobernada por el motor necesita ser ajustada, pongase en contacto con su centro de servicio Craftsman mas cercano, el cual tiene el equipo y la experiencia apropiado para efectuar los ajustes necesarios.

## PARA AJUSTAR O REEMPLAZAR LA BUJIA

**AVISO:** Este sistema de encendido por chispa cumple con todos los requisitos de las normas canadienses para equipo causante de interferencia.

**AVISO:** Este motor cumple con todas las restricciones actuales referentes a la interferencia electromagnética de Australia y Nueva Zelanda.

Si tiene dificultades al arrancar su removedora de nieve, podría necesitar ajustar o reemplazar la bujía. Siga las instrucciones que se presentan abajo:

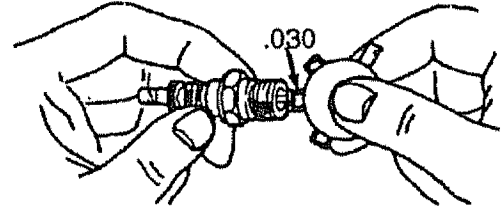
Reemplace la bujía si los electrodos están picados o quemados o si la porcelana está rajada.

### PARA AJUSTAR:

- Limpie la bujía al raspar cuidadosamente los electrodos (no la limpie a chorro de arena ni use un cepillo metálico).
- Asegúrese de que la bujía esté limpia y libre de materia extraña. Revise el entrehierro de los electrodos con un instrumento medidor y restaure el entrehierro a 0,030 pulgadas si fuese necesario.

### PARA REEMPLAZAR:

- Si necesita una bujía nueva, use solamente el reemplazo apropiado de bujía (vea figura abajo).
- Coloque el entrehierro 0,030.
- Antes de instalar la bujía recubra su rosca ligeramente con aceite o grasa para asegurar su fácil remoción.
- Apriete la bujía firmement en el motor.
- Si se encuentra disponible una llave de torsión, aplique un momento de 18 a 23 pies-libra a la bujía.



## ALMACENAMIENTO

**⚠ PRECAUCION:** Nunca almacene su removedora de nieve en ambientes interiores o en un área cerrada, mal ventilada si el tanque aun tiene gasolina. Los vapores podrían alcanzar una llama desprotegida, chispa o llama piloto de un horno, calentador de agua, secadora de ropa, cigarrillo, etc. Para evitar daño al motor (si la removedora de nieve estará fuera de uso por más 30 días) siga los pasos detallados abajo.

### ALMACENAMIENTO DE LA REMOVEDORA DE NIEVE

- Limpie completamente la removedora de nieve.
- Lubrique todos los puntos de lubricación (vea Mantenimiento del cliente en páginas 52-54).
- Asegúrese de que todos las tuercas, pernos y tornillos están sujetos de manera segura. Inspeccione todas las piezas móviles visibles para detectar daños, roturas y desgaste. Efectúe reemplazos si fuese necesario.
- Retoque todas las superficies de pintura oxidadas o desgarradas; lije antes de aplicar pintura.
- Cubra las piezas de metal al desnudo del compresor del alojamiento del barreno y el impulsor con un material para prevenir la corrosión, tal como un lubricante en aerosol.

**NOTA:** Una revisión o afinado anual por un Centro de Servicio Craftsman es una buena manera de asegurar que su removedora de nieve le brindará el máximo rendimiento la siguiente temporada.

### ALMACENAMIENTO DEL MOTOR

La gasolina deberá ser removida o tratada para prevenir la formación de depósitos de goma en el tanque, filtro, manguera, y carburador durante el almacenamiento. Asimismo, durante el almacenamiento, la gasolina mezclada con alcohol la cual utiliza etanol o metanol (algunas veces llamado gasohol) atrae agua. Acatúa sobre la gasolina para formar ácidos los cuales dañan el motor.

- Para remover la gasolina, mantenga el motor en marcha hasta que el tanque esté vacío y el.

- Si no quiere sacar gasolina, use el estabilizador de combustible provisto con la unidad o compre estabilizador de combustible Craftsman Núm. 33500. Añada estabilizador de combustible a cualquier gasolina que permanezca en el tanque para minimizar los depósitos de goma y ácido. Si el tanque está casi vacío, mezcle el estabilizador con gasolina nueva en un recipiente separado y añada un poco de esta mezcla al tanque.

Siempre siga las instrucciones en el contenedor del estabilizador. Luego opere el motor durante al menos 10 minutos despues de que se haya añadido el estabilizador para permitir que la mezcla alcance el carburador. Almacene la removedora de nieve en un lugar seguro. Vea la advertencia arriba. Vea Precaucion.

Puede mantener su motor en buenas condiciones de funcionamiento durante el almacenamiento al:

- Cambiar el aceite.
- Lubricando el área del pistón/cilindro. Esto puede ser hecho removiendo primero la bujía y salpicando el agujero de la bujía con aceite de motor limpio. Luego cubra el agujero de la bujía con un paño para absorber el rocío de aceite. A continuación, rote el motor al halar de la cuerda de arranque hasta sacarla completamente dos o tres veces. Finalmente, reinstale la bujía y conecte el alambre de la bujía.

### OTROS

- Si fuese posible, almacene su removedora de nieve en ambientes interiores y cúbrala para protegerla contra el polvo y la suciedad.
- Si la máquina deberá estar en el exterior, colóquela sobre bloques para garantizar que la máquina no estará en contacto con el terreno.
- Cubra la removedora de nieve con una cubierta protectora apropiada que no retenga humedad. No use plástico ni vinilo.

**IMPORTANTE:** Nunca cubra la removedora de nieve mientras las áreas del motor y el escape aun esten calientes.

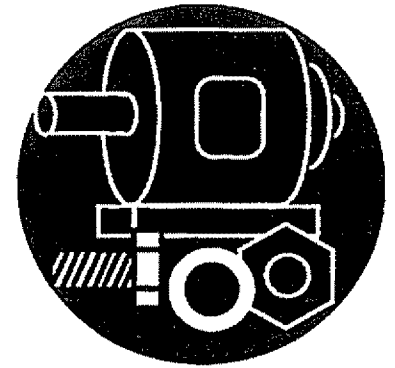
## PUNTOS PARA LA SOLUCION DE PROBLEMAS

PROBLEMA	CAUSA	CORRECCION
<b>Dificultad de arranque</b>	Bujía defectuosa Agua o suciedad en el sistema de combustible	Reemplazar bujía defectuosa. Usar vasija de drenaje del carburador para lavar y rellenar con combustible fresco.
<b>El motor funciona erráticamente</b>	Línea de combustible bloqueada o poco combustible	Limpiar la línea de combustible; revisar la existencia de combustible; agregar combustible fresco ( <b>mezcla gasolina/aceite si es motor de dos tiempos</b> )
<b>El motor se apaga</b>	Unidad funcionando en el modo <b>ESTRANGULACION(CHOKE)</b>	Colocar la palanca de estrangulación (choke) en la posición <b>RAPIDO (FAST)</b>
<b>El motor funciona erráticamente; perdida de potencia</b>	Agua o suciedad en el sistema de combustible	Usar vasija de drenaje del carburador para lavar y rellenar con combustible fresco
<b>Vibración excesiva</b>	Piezas flojas; impulsor dañado	Parar el motor inmediatamente y desconectar el alambre de la bujía. Apretar todos los pernos y efectuar las reparaciones necesarias. Si la vibración continúa, solicite a un reparador competente que le dé servicio a la unidad
<b>La unidad no se puede propulsar a sí misma</b>	Correa impulsora floja o dañado  Ajuste incorrecto del cable impulsor de la oruga  Rueda de fricción gastada o dañada	Reemplazar la correa de impulsión  Ajustar cable de propulsión de la oruga  Reemplazar la rueda de fricción
<b>La unidad no descarga nieve</b>	Correa propulsora del barreno floja o dañada  Cable de control del barreno no ajustado correctamente  Perno de seguridad por esfuerzo cortante roto  Canal de descarga obstruido  Objeto extraño atorado en barreno	Reemplazar la correa de propulsión del barreno.  Ajustar el cable de control del barreno  Reemplazar el perno de seguridad por esfuerzo cortante  Parar el motor inmediatamente y desconectar el alambre de la bujía. Limpiar canal de descarga y dentro del alojamiento del barreno  Parar el motor inmediatamente y desconectar el alambre de la bujía. Remover objeto del barreno.
<b>La unidad rueda sobre la nieve</b>	Transferencia de peso desenganchada	Enganchar el pedal de transferencia de peso

For the repair or replacement parts you  
need delivered directly to your home  
Call 7 am-7 pm, 7 days a week  
**1-800-366-PART**

(1-800-366-7278)

Para ordenar piezas con entrega  
a domicilio -1-800-659-7084



For in-house major brand repair service  
Call 24 hours a day, 7 days a week  
**1-800-4-REPAIR**

(1-800-473-7247)

Para pedir servicio de reparación a  
domicilio - 1-800-676-5811



For the location of a Sears Parts and  
Repair Center in your area  
Call 24 hours a day, 7 days a week  
**1-800-488-1222**



For information on purchasing a Sears  
Maintenance Agreement or to inquire  
about an existing Agreement  
Call 9 am -5pm, Monday-Saturday  
**1-800-827-6655**



When requesting service or ordering  
parts, always provide the following  
information:

- Product Type
- Part Number
- Model Number
- Part Description

**SEARS**  
**REPAIR SERVICES**

*America's Repair Specialists*

Download from [www.Somanuals.com](http://www.Somanuals.com). All Manuals Search And Download.

Printed in U.S.A.

## Free Manuals Download Website

<http://myh66.com>

<http://usermanuals.us>

<http://www.somanuals.com>

<http://www.4manuals.cc>

<http://www.manual-lib.com>

<http://www.404manual.com>

<http://www.luxmanual.com>

<http://aubethermostatmanual.com>

Golf course search by state

<http://golfingnear.com>

Email search by domain

<http://emailbydomain.com>

Auto manuals search

<http://auto.somanuals.com>

TV manuals search

<http://tv.somanuals.com>