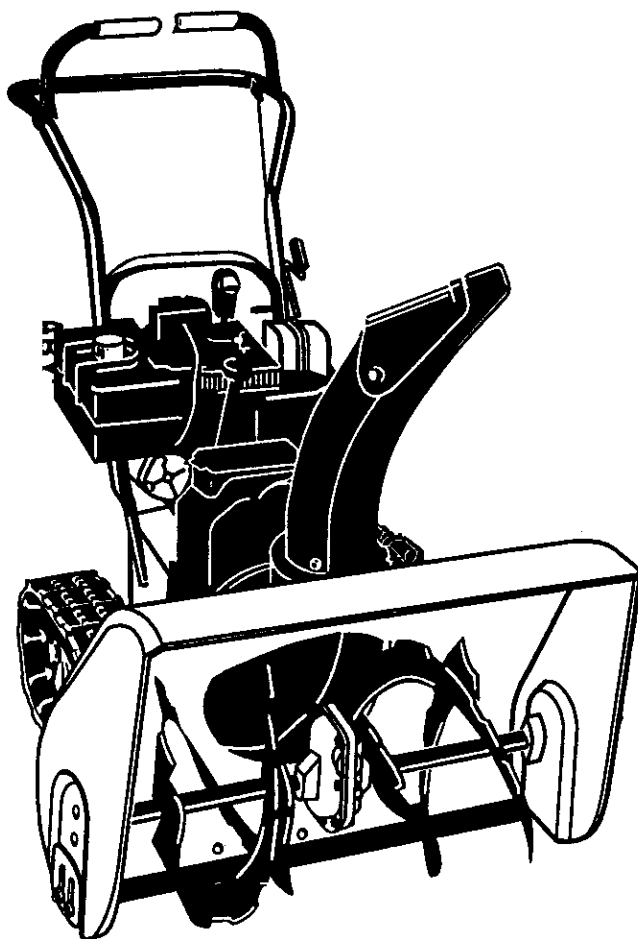


CRAFTSMAN®

6 Horsepower
24 Inch Dual Stage
Free-Wheeling Track
120V. Electric Start
SNOWTHROWER

MODEL NO.
536.888400



Caution:
Read and follow all Safety
Rules and Operating
Instructions before first use
of this product.

SEARS, ROEBUCK AND CO., Hoffman Estates, IL 60179 U.S.A.

760817 11/03/97

SAFETY

ASSEMBLY

OPERATION

MAINTENANCE

PARTS LIST

ESPAÑOL

TABLE OF CONTENTS

Table of Contents	2	Service and Adjustments	17-23
Warranty	2	Storage	23-24
Safety Rules	2-4	Troubleshooting	24
Contents of Shipping Carton	4-5	Repair Parts	25-34
Assembly	5-8	Engine Repair Parts	35-40
Operation	8-14	Spanish(Español)	41-65
Maintenance	15-17	Parts Ordering/Service	Back Cover

WARRANTY STATEMENT

LIMITED TWO-YEAR WARRANTY ON CRAFTSMAN SNOW THROWER

For two years from the date of purchase, when this Craftsman Snow Thrower is maintained, lubricated, and tuned up according to the operating and maintenance instructions in the owner's manual, Craftsman will repair, free of charge, any defect in material or workmanship.

If this Craftsman Snow Thrower is used for commercial or rental purposes, this warranty applies for only 90 days from the date of purchase.

This warranty does not cover the following:

- Items which become worn during normal use, such as spark plugs, drive belts and shear pins.
- Repairs necessary because of operator abuse or negligence, including bent crank shafts and the failure to maintain the equipment according to the instructions contained in the owner's manual.

WARRANTY SERVICE IS AVAILABLE BY RETURNING THE CRAFTSMAN SNOW THROWER TO THE NEAREST CRAFTSMAN SERVICE CENTER/DEPARTMENT IN THE UNITED STATES. THIS WARRANTY APPLIES ONLY WHILE THIS PRODUCT IS IN USE IN THE UNITED STATES.

This warranty gives you specific legal rights, and you may also have other rights which may vary from state to state.

Sears, Roebuck and Co., D817WA, Hoffman Estates, IL 60179



SAFETY RULES



Look for this symbol to point out important safety precautions. It means--- **ATTENTION!!!** Become alert!!! Your safety is involved.

CAUTION: Always disconnect spark plug wire and place wire where it cannot contact spark plug to prevent accidental starting when setting-up, transporting, adjusting or making repairs.

IMPORTANT: Safety standards require operator presence controls to minimize the risk of injury. Your snow thrower is equipped with such controls. Do not attempt to defeat the function of the operator presence control under any circumstances.

TRAINING

1. Read the operator's manual carefully. Be thoroughly familiar with the controls and the proper use of the snow thrower. Know how to stop the snow thrower and disengage the controls quickly.
2. Never allow children to operate the snow thrower and keep them away while it is operating. Never allow adults to operate the snow thrower without proper instruction. Do not carry passengers.
3. Keep the area of operation clear of all persons, particularly small children and pets.
4. Exercise caution to avoid slipping or falling, especially when operating in reverse.



California Proposition 65

WARNING: The engine exhaust from this product contains chemicals known to the State of California to cause cancer, birth defects or other reproductive harm.

PREPARATION

1. Thoroughly inspect the area where the snow thrower is to be used and remove all doormats, sleds, boards, wires and other foreign objects.
2. Disengage all clutches before starting the engine (motor).
3. Do not operate the snow thrower without wearing adequate winter outer garments. Wear footwear that will improve footing on slippery surfaces.
4. Handle fuel with care; it is highly flammable.
 - (a) Use an approved fuel container.
 - (b) Never remove fuel tank cap or add fuel to a running engine or hot engine.
 - (c) Fill fuel tank outdoors with extreme care. Never fill fuel tank indoors.
 - (d) Replace fuel tank cap securely and wipe up spilled fuel.
 - (e) Never store fuel or snow thrower with fuel in the tank inside of a building where fumes may reach an open flame or spark.
 - (f) Check fuel supply before each use, allowing space for expansion as the heat of the engine (motor) and/or sun can cause fuel to expand.
5. Use extension cords and receptacles as specified by the manufacturer for all snow throwers with electric drive motors or electric starting motors.
6. Adjust the snow thrower height to clear gravel or crushed rock surfaces.
7. Never attempt to make any adjustments while the engine (motor) is running (except when specifically recommended by the manufacturer).
8. Let engine (motor) and snow thrower adjust to outdoor temperatures before starting to clear snow.
9. Always wear safety glasses or eye shields during operation or while performing an adjustment or repair to protect eyes from foreign objects that may be thrown from the snow thrower.

OPERATION

1. Do not operate this machine if you are taking drugs or other medication which can cause drowsiness or affect your ability to operate this machine.
2. Do not use this machine if you are mentally or physically unable to operate this machine safely.
3. Do not put hands or feet near or under rotating parts. Keep clear of the discharge opening at all times.

4. Exercise extreme caution when operating on or crossing gravel drives, walks, or roads. Stay alert for hidden hazards or traffic.
5. After striking a foreign object, stop the engine (motor), remove the wire from the spark plug, disconnect the cord on electric motors, thoroughly inspect the snow thrower for any damage, and repair the damage before restarting and operating the snow thrower.
6. If the snow thrower should start to vibrate abnormally, stop the (motor) and check immediately for the cause. Vibration is generally a warning of trouble.
7. Stop the engine (motor) whenever you leave the operating position, before unclogging the auger/impeller housing or discharge guide, and when making any repairs, adjustments, or inspections.
8. When cleaning, repairing, or inspecting, make certain the auger/impeller and all moving parts have stopped. Disconnect the spark plug wire and keep the wire away from the plug to prevent accidental starting.
9. Take all possible precautions when leaving the snow thrower unattended. Disengage the auger/impeller, stop engine, and remove key.
10. Do not run the engine indoors, except when starting the engine and for transporting the snow thrower in or out of the building. Open the outside doors; exhaust fumes are dangerous (containing CARBON MONOXIDE, an ODORLESS and DEADLY GAS).
11. Do not clear snow across the face of slopes. Exercise caution when changing direction on slopes. Do not attempt to clear steep slopes.
12. Never operate the snow thrower without proper guards, plates or other safety protective devices in place.
13. Never operate the snow thrower near glass enclosures, automobiles, window wells, drop-offs, and the like without proper adjustment of the snow discharge angle. Keep children and pets away.
14. Do not overload the machine capacity by attempting to clear snow at too fast a rate.
15. Never operate the snow thrower at high transport speeds on slippery surfaces. Look behind and use care when backing.
16. Never direct discharge at bystanders or allow anyone in front of the snow thrower.

17. Disengage power to the auger/impeller when snow thrower is transported or not in use.
18. Use only attachments and accessories approved by the manufacturer of the snow thrower (such as tire chains, electric start kits, etc).
19. Never operate the snow thrower without good visibility or light. Always be sure of your footing, and keep a firm hold on the handles. Walk; never run.

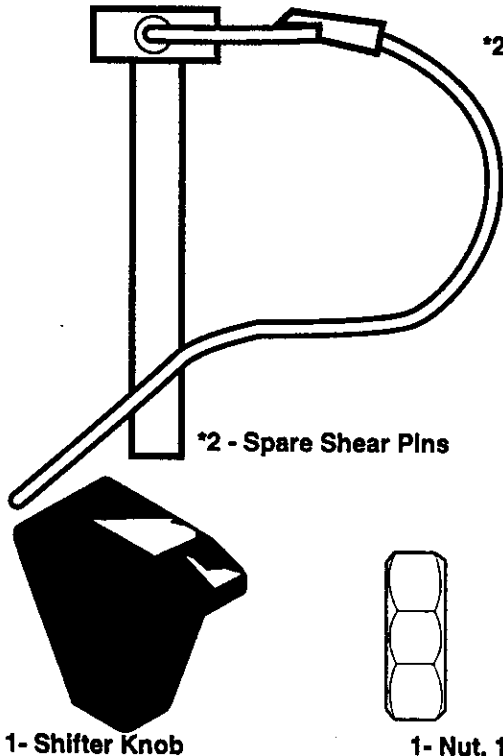
MAINTENANCE AND STORAGE

1. Check shear bolts and other bolts frequently for proper tightness to be sure the snow thrower is in safe working condition.
2. Never store the snow thrower with fuel in the fuel tank inside a building where ignition sources are present such as hot water and space heaters, clothes dryers, and the like. Allow the engine to cool before storing in any enclosure.
3. Always refer to operator's manual instructions for important details if the snow thrower is to be stored for an extended period.

Contents of Parts Bag (actual size)

- 1 - Owner's Manual (not shown)
- 2 - Parts Bags (not shown)

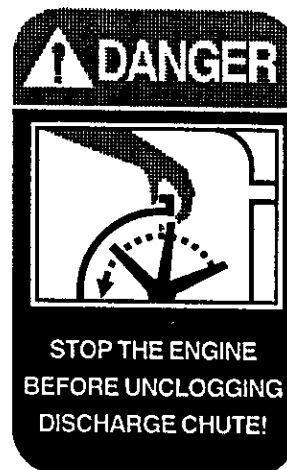
* Non-Assembly Parts are found in the toolbox located on top of the belt cover



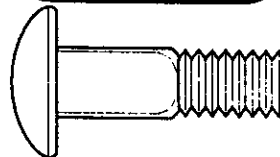
4. Maintain or replace safety and instruction labels, as necessary.
5. Run the snow thrower a few minutes after throwing snow to prevent freeze-up of the auger/impeller.

⚠ WARNING: This snow thrower is for use on sidewalks, driveways and other ground level surfaces.

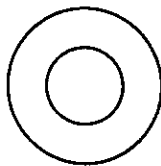
Caution should be exercised while using on steep sloping surfaces. **DO NOT USE SNOW THROWER ON SURFACES ABOVE GROUND LEVEL** such as roofs of residences, garages, porches or other such structures or buildings.



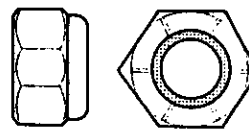
*2 - Spare Spacers



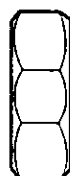
3 - Carriage Bolts, 5/16-18x1.00 In.



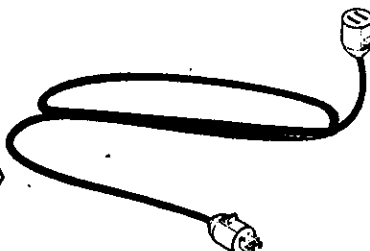
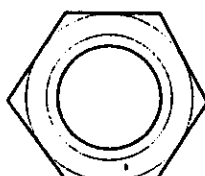
5 - 11/32 Flatwashers



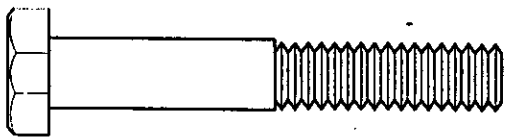
3 - Hex Nylon Nuts, 5/16-18



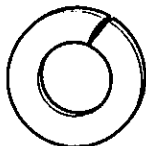
1- Nut, 1/2-13 Hexjam



1 - Starter Motor Cord 10Ft.



2- Screw, 5/16-18 x 2 In.



2 -Washer, Hvsptlk



2- Nut, 5/16-18 Reghex

Parts packed separately in carton (not shown full size)



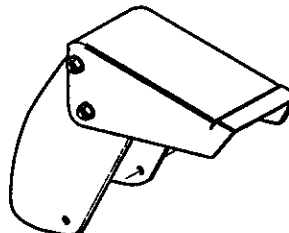
2 - Ignition Keys
(Attached to engine in plastic bag)



1 - container 5W30 oil



1 - container fuel stabilizer



1 - Snow Chute Assembly

THIS SNOW THROWER HAS A TRACK DRIVE SYSTEM EQUIPPED TO GIVE YOU FREE-WHEELING CAPABILITY

If your snow thrower must be moved without the aid of the engine, it will be easier to pull the snow thrower backward by the handles, rather than pushing. For details on how to use the free-wheeling capability, see the Track Drive/Free-Wheel Feature paragraph in the Operation section of this manual.

On start up, the track drive system may be tight but will loosen up as the snow thrower is used. After first use, check the track for tension and adjust if necessary. See the Track Adjustment paragraph in the Service and Adjustments section of this manual. Check track adjustment and fasteners regularly.

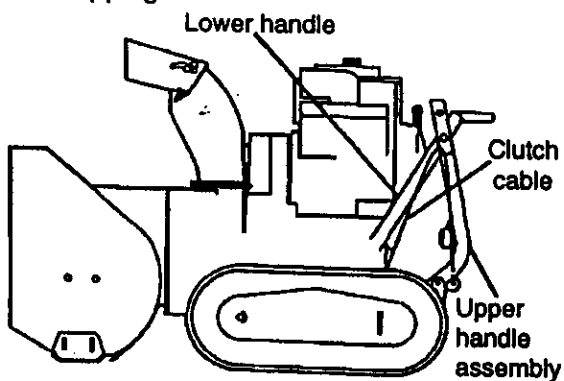
ASSEMBLY

CAUTION: Always wear safety glasses or eye shields while assembling snow thrower.

TOOLS REQUIRED FOR ASSEMBLY

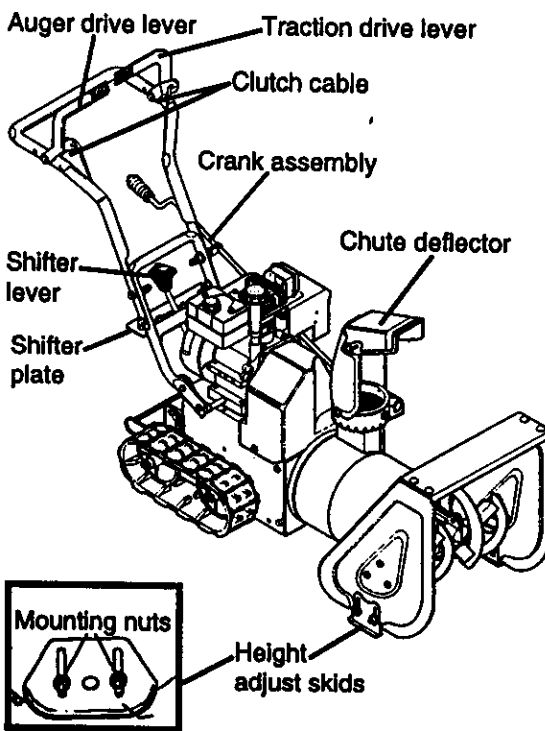
- 1 - Knife to cut carton and plastic ties
- 2 - 1/2 inch wrenches (or adjustable wrenches)
- 2 - 9/16 inch wrenches (or adjustable wrenches)
- 2 - 3/4 inch wrenches (or adjustable wrenches)
- 1 - Pliers (to spread cotter pin)
- 1 - Screwdriver
- 1 - Measuring tape or ruler

The figure below shows the snow thrower in the shipping carton.



The figure below shows the snow thrower completely assembled.

References to the right or left hand side of the snow thrower are from the viewpoint of the operator's position behind the unit.



TO REMOVE SNOW THROWER FROM CARTON

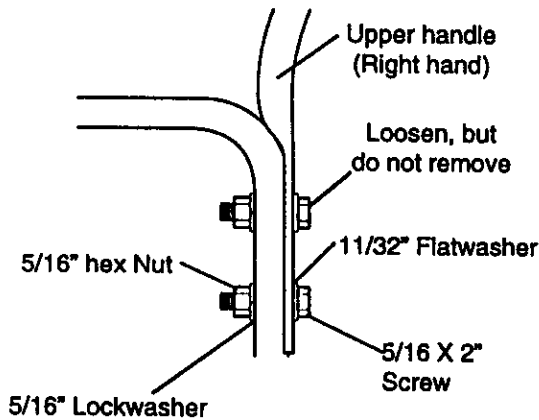
- Locate and remove container of 5W30 oil.
- Locate all parts packed separately and remove from the carton.

NOTE: Place fuel stabilizer in a safe place until needed for storage.

- Remove and discard the packing material from around the snow thrower.
- Cut all four corners of the carton from top to bottom and lay the panels flat.
- Roll the snow thrower off the carton by pulling on the lower handle. **CAUTION: DO NOT** back over cables.
- Remove the packing material from handle assembly and plastic protector on top of auger housing.
- Cut ties securing the clutch control cables to the lower handle.

TO INSTALL THE UPPER HANDLE AND CRANK ASSEMBLY

- Loosen, but do not remove the screw, flatwasher, lockwasher and hex nut in the right hand upper holes of the lower handle. See next figure.

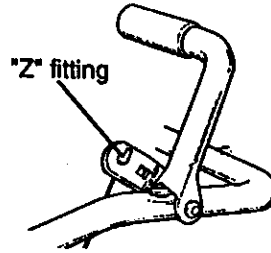


- Loosen, but do not remove the nylon locknut on the eye bolt assembly in the left hand upper holes of the lower handle. See next figure.
- Cut tie securing upper crank rod to the lower crank rod.
- Cut tie holding shift rod to lower handle and move shifter to the first gear.
- Raise upper handle into operating position. Upper handle should be to the outside of the lower handle.

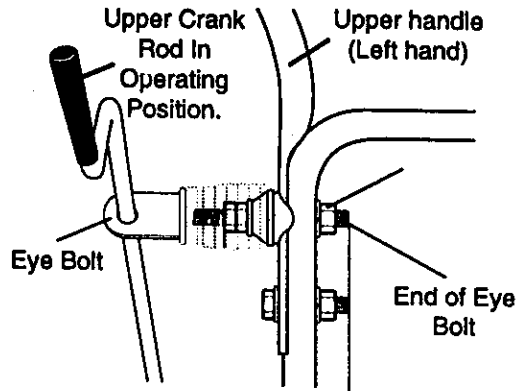
NOTE: Make sure the cables are not caught between the upper and lower handle or on the gear select bracket.

NOTE: If the cables have become disconnected from the clutch levers, reinstall the cables as shown in figure below.

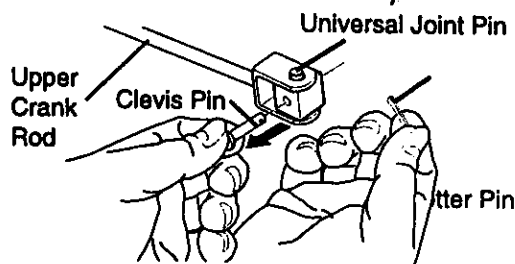
NOTE: Position cable through slots on shifter plate.



- Install hardware supplied in the parts bag (Screws, flatwashers, lockwashers, and hex nuts) into lower holes on handles. See figure above.
- Tighten screws in lower holes.
- Rotate upper crank rod into the operating position. See figure below.



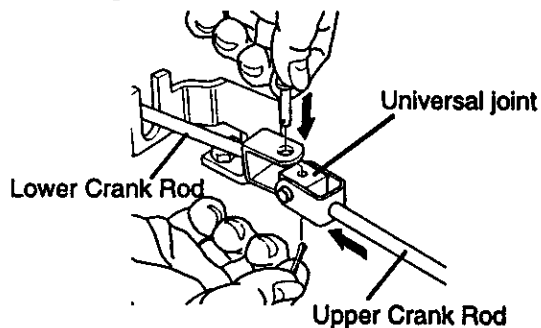
- Carefully remove cotter pin and clevis pin from yoke end of upper crank rod assembly as shown in figure below.



NOTE: If this removes the universal joint and universal joint pin. Place universal joint into yoke of upper crank rod lining up large holes. Insert universal joint pin. (Ensure opening in universal joint pin is in line with small openings in universal joint.)

- While holding universal joint in place slide the upper crank rod down through the eye bolt until the universal joint will slide into the yoke of the lower crank rod.

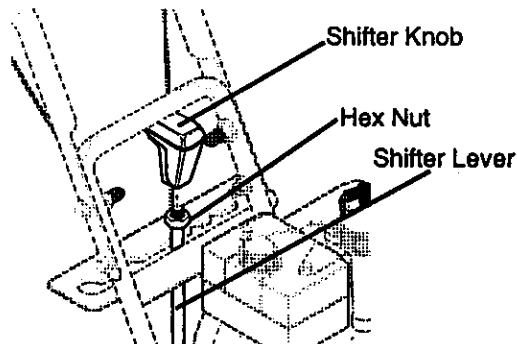
- Line up openings, insert clevis pin through assembly and secure with cotter pin. Spread ends of cotter pin to lock in place. See figure below.



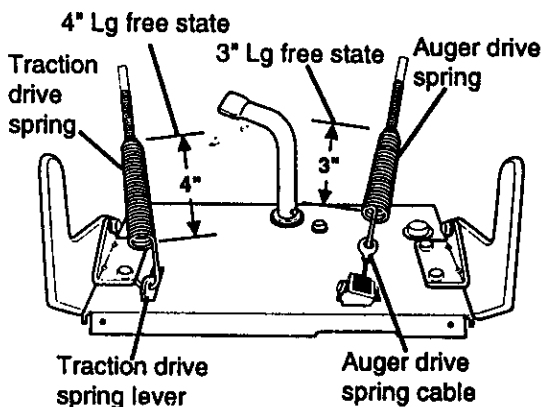
- Tighten nut on eye bolt, keeping eye in line with the rod while tightening the inside securely.
- Tighten screw in right hand upper hole.

TO INSTALL SHIFTER LEVER KNOB

- Thread the hex nut found in the parts bag onto shifter lever. Thread the shifter lever knob onto the threaded end of the shifter lever until it is snug against the hex nut and the lip is pointed away from the engine. Tighten hex nut against the bottom of the shifter lever knob. See figure below.

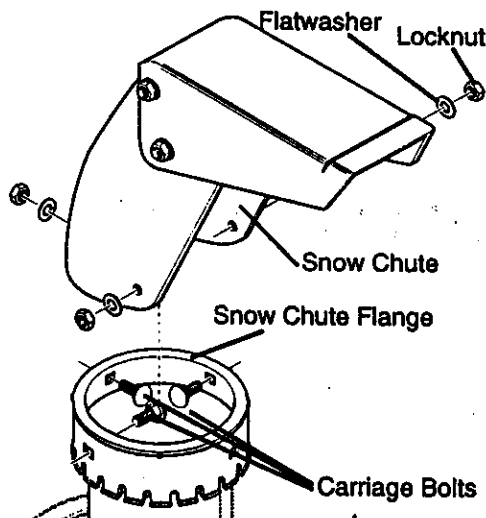


NOTE: If the cables have become disconnected, reinstall spring as shown in figure below.



TO ASSEMBLE SNOW CHUTE

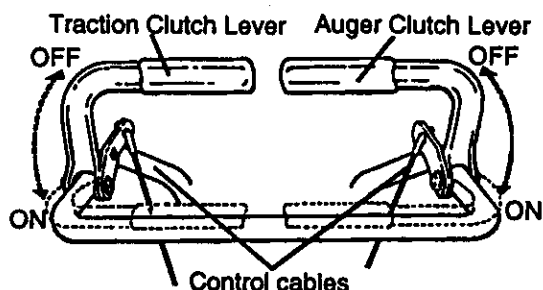
- Turn crank assembly counterclockwise until it stops.
- Locate three carriage bolts, flatwashers and nuts (found in parts bag) from snow chute flange. **DO NOT** remove carriage bolt over worm gear.
- Position snow chute on snow chute flange and align the three holes in the snow chute with holes in the snow chute flange as shown in figure below.
- Install carriage bolts from inside of chute as shown in figure below, flatwashers and nuts.
- Tighten carriage bolts securely. Be careful not to overtighten. See figure below.
- Turn crank assembly clockwise and make sure all carriage bolts are tight.



TO CHECK/ADJUST CLUTCH CONTROL CABLES

The control cables attached to the auger clutch lever and traction clutch lever as shown in figure below may need to be adjusted before you use your snow thrower.

For instructions on checking or adjusting the control cables, (See To Adjust Clutch Control Cables paragraph on page 17).



HOW TO SET UP YOUR SNOW THROWER

- Your snow thrower is equipped with height adjust skids (see second figure on page 5) on the outside of the auger housing. To adjust the skid height for different conditions, (see To Adjust Skid Height paragraph on page 17).

✓ CHECKLIST

Before you operate your new snow thrower, to ensure that you receive the best performance and satisfaction from this quality product, please review the following checklist:

- ✓ All assembly instructions have been completed.
- ✓ The discharge chute rotates freely.
- ✓ No remaining loose parts in carton.

While learning how to use your snow thrower, pay extra attention to the following important items:

- ✓✓ Engine oil is at proper level.
- ✓✓ Make sure gas tank is filled properly with clean, fresh, unleaded gasoline.
- ✓✓ Become familiar with all controls-their location and function. Operate controls before starting engine.

OPERATION

Auger Drive Lever – Starts and stops the auger and impeller (snow gathering and throwing).

Traction Drive Lever – Propels the snow thrower forward and in reverse.

Speed Shifter Lever – Selects the speed of snow thrower (6 speeds forward and 2 speeds reverse).

Crank Assembly – Changes the direction of snow throwing through the discharge chute.

Chute Deflector – Changes the distance the snow is thrown.

Discharge Chute – Changes the direction the snow is thrown.

Klick Pin – Changes the track drive from normal to free-wheel drive, which allows the unit to be transported easily without the engine being started.

Weight Transfer System – When engaged (by lifting up on the upper handle) it helps keep the snow thrower in contact with the ground, and reduces ride up on ice and hard-packed snow. When released (by pushing down on weight transfer pedal with the ball of your foot), it eases steering of the snow thrower.

Height Adjust Skids – Adjusts the ground clearance of the auger housing.

Ignition Key – Must be inserted to start the engine.

Recoil Starter Handle – Starts the engine manually.

Choke Control – Used to start a cold engine.

Primer Button – Injects fuel directly into the carburetor manifold for fast starts in cold weather.

Throttle Control – Controls the engine speed.

Electric Starter Button – Used to start the engine using the 120 V electric starter.

Shear Pins– Shear pins are designed to break (to protect the machine) if an object becomes lodged in the auger housing. Use of a harder bolt will destroy the protection provided by the shear pin.

Toolbox – Spare shear pins and spacers are located in toolbox.

KNOW YOUR SNOW THROWER

READ THIS OWNER'S MANUAL AND SAFETY RULES BEFORE OPERATING YOUR SNOW THROWER. Compare the illustrations with your SNOW THROWER to familiarize yourself with the location of various controls and adjustments. Save this manual for future reference.



Engine Start



Engine Run



Off



Choke On



Fast



Slow



Stop



Fuel



Oil



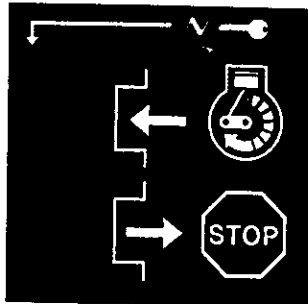
Primer Button



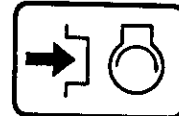
Drive Clutch



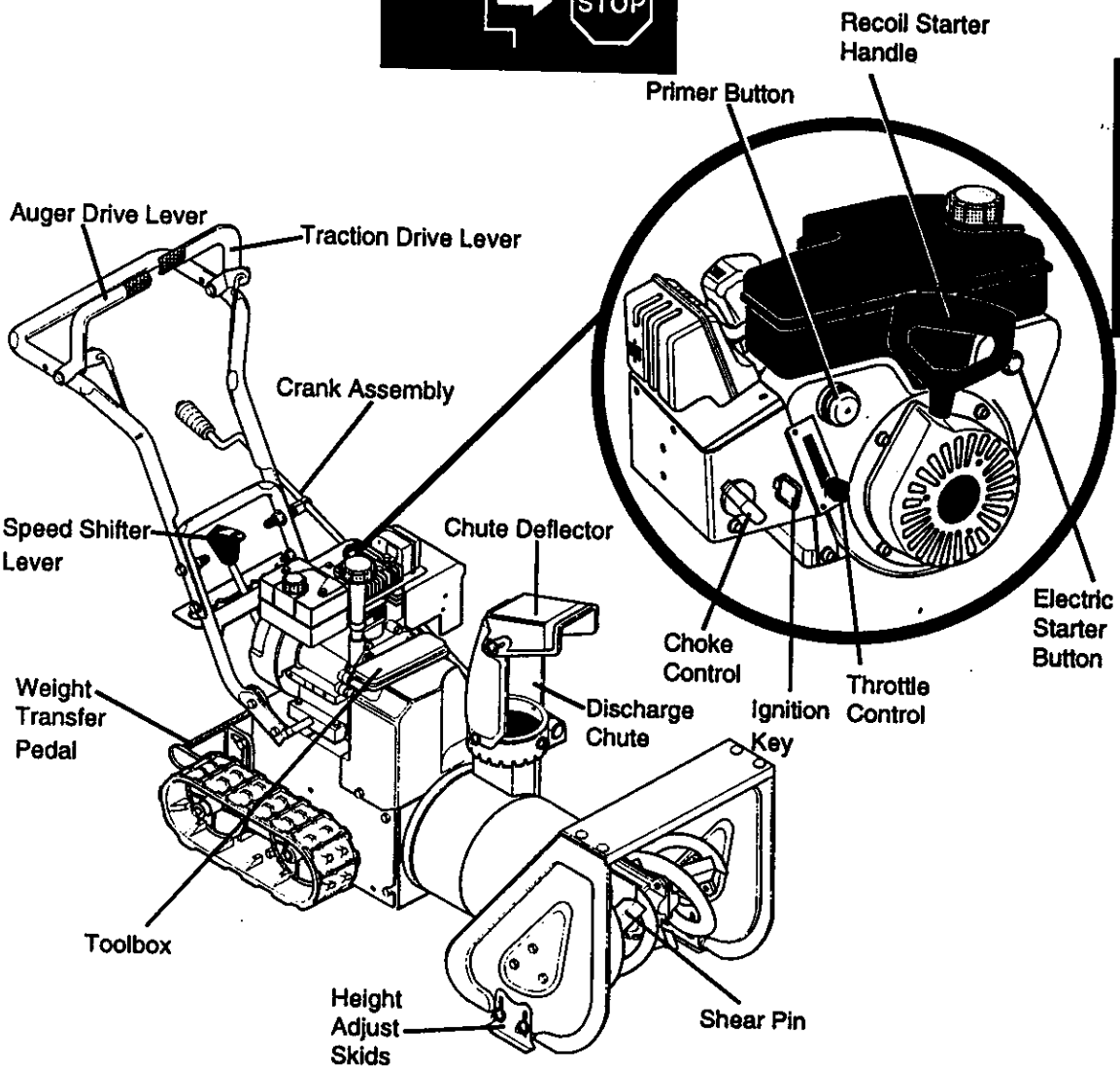
Auger Clutch



Ignition Key insert to run pull out to stop



Push to engage electric start



The operation of any snow thrower can result in foreign objects being thrown into the eyes, which can result in severe eye damage. Always wear safety glasses or eye shields while operating the snow thrower.

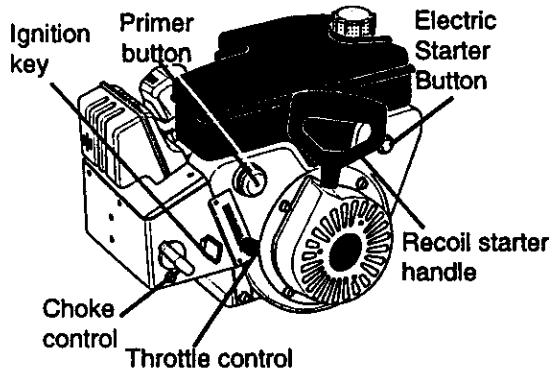
We recommend standard safety glasses or a wide vision safety mask for over your glasses, available at Craftsman Retail Stores or Service Centers.

⚠ CAUTION: Read owner's manual before operating machine. Never direct discharge toward bystanders. Release the auger control bar and stop the engine before unclogging discharge chute or auger housing and before leaving the machine.

HOW TO USE YOUR SNOW THROWER

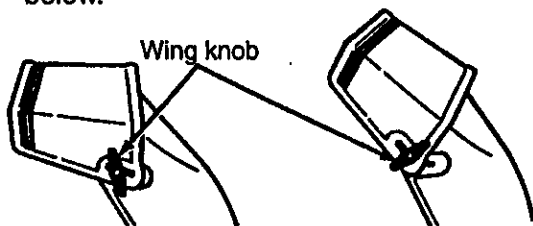
TO STOP YOUR SNOW THROWER

- To stop throwing snow, release the auger drive lever (see last figure on this page).
- To stop the track, release the traction drive lever (see last figure on this page).
- To stop the engine, push the throttle control lever to off and pull out (**DO NOT TURN**) the ignition key, see figure below.



TO CONTROL SNOW DISCHARGE

- Turn the crank assembly to set the direction of the snow throwing.
- Loosen the wing knob on the chute deflector and move the deflector to set the distance. Move the deflector (**UP**) for more distance, (**DOWN**) for less distance. Then tighten the wing knob, see figure below.



TO MOVE FORWARD AND BACKWARD

- To shift, release the traction drive lever and move the speed shifter lever to the speed you desire. Ground speed is determined by snow conditions. Select the speed you desire by moving the speed shifter lever into the appropriate area on the speed selector.

Speeds 1, 2 - Wet, Heavy, Extra Deep

Speed 3 - Light

Speed 4 - Very Light

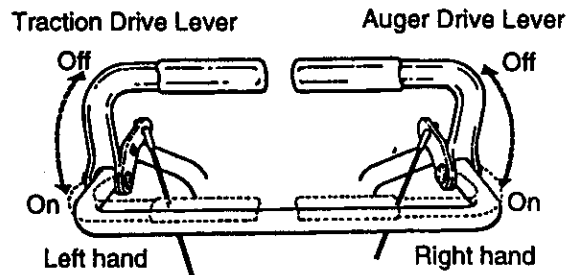
Speeds 5, 6 - Transport only

- Engage the traction drive lever as shown in figure below, left hand. As the snow thrower starts to move, maintain a firm hold on the handles, and guide the snow thrower along the clearing path. Do not attempt to push the snow thrower.
- To move the snow thrower backward, move the speed shifter lever into first or second reverse and engage the traction drive lever (left hand).

IMPORTANT: Never move the speed shifter lever while the traction lever is down.

TO THROW SNOW

- Push down the auger drive lever, see figure below.
- Release to stop throwing snow.



TO USE WEIGHT TRANSFER SYSTEM

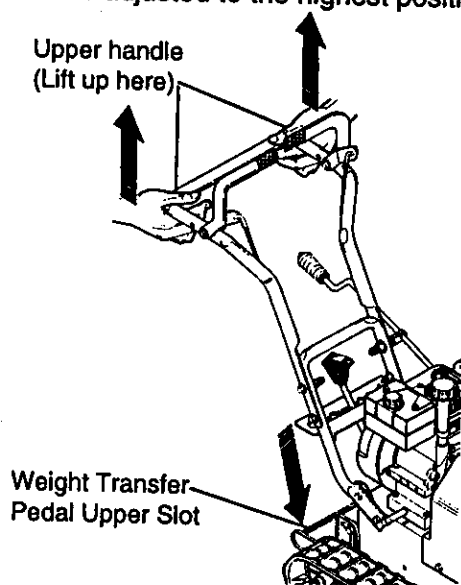
In hard packed or heavy snow conditions, conventional snow throwers tend to ride up and leave uneven mounds of snow behind. For these conditions, your new tracked snow thrower has a unique weight transfer system (see first figure on page 11) designed to minimize ride-up.

The weight transfer system engaged shifts more weight to the auger housing. This weight transfer keeps the snow thrower in contact with the ground and reduces ride-up on ice and snow.

In lighter snow conditions or when transporting, you should release the weight transfer system for easier steering.

- To use the weight transfer system, lift up on upper handle until bracket bolts snap into place in upper slots of weight transfer pedal.
- To release, hold upper handle firmly and push down on the weight transfer pedal with the ball of your foot.

NOTE: The weight transfer system will not work if the auger housing height adjust skids are adjusted to the highest position.

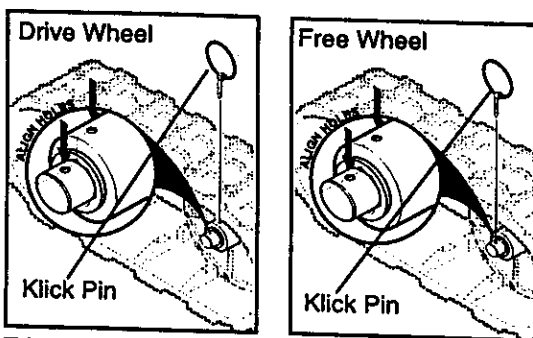


TRACK DRIVE/ FREE-WHEEL FEATURE

The track system on your snow thrower has a drive/free-wheel feature (see next figure) which allows the unit to be transported easily without the engine being started.

- To use free-wheeling, lift up the loop of the klick pin in the front track wheel and pull the pin out. Install the pin through the hole in the shaft outside of the track wheel. Repeat on the opposite side of the unit.
- To use normal drive, lift the loop of the klick pin from the outside hole in the shaft. Rotate the front track wheel until the hole in the track wheel hub and the outside hole in the shaft are in-line. Place pin through the hole in the track hub. Repeat on the opposite side of the unit.

NOTE: If unit does not move when engine is started, check the pin locations. Pins on both sides of unit should be in the normal drive position for unit to move.



BEFORE STARTING THE ENGINE

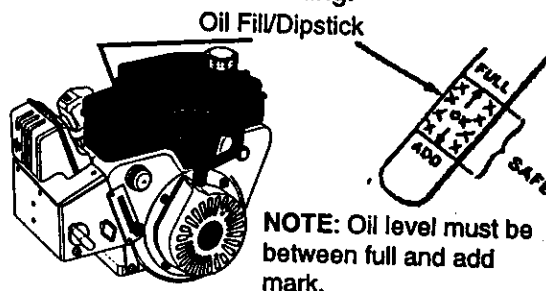
FILL OIL

NOTE: Engine may already contain some residual oil. Check frequently when filling the crankcase.

This snow thrower was shipped with a container of 5W30 motor oil. This oil must be added to the engine before operating. Remove the oil fill cap/dipstick and fill the crank case to (FULL) line on dipstick (20 ounces) (see figure below). **DO NOT OVERFILL.**

Tighten the fill cap/dipstick securely each time you check the oil level.

For extreme cold operating conditions of 0°F and below, use a partial synthetic 0W30 motor oil for easier starting.



NOTE: S.A.E. 5W30 motor oil may be used to make starting easier in areas where the temperature is 20° F. or lower.

FILL GAS

NOTICE: ENGINES WHICH ARE CERTIFIED TO COMPLY WITH CALIFORNIA AND US EPA EMISSION REGULATIONS FOR ULGE ENGINES: Are certified to operate on regular unleaded gasoline. Include the following emission control system(s): EM, TWC (if so equipped). Include any user adjustable features - therefore no other adjustments are needed.

WARNING: Experience indicates that alcohol blended fuels (called gasohol or those using ethanol or methanol) can attract

moisture which leads to separation and formation of acids during storage. Acidic gas can damage the fuel system of an engine while in storage.

To avoid engine problems, the fuel system should be emptied before storage for 30 days or longer. Start the engine and let it run until the fuel lines and carburetor are empty. Use the carburetor bowl drain to empty residual gasoline from the float chamber. Use fresh fuel next season (see Storage instructions on page 23 for additional information).

Never use engine or carburetor cleaner products in the fuel tank or permanent damage may occur.

Fill the fuel tank with a fresh, clean, unleaded regular, unleaded premium, or reformulated automotive gasoline only. **DO NOT** use leaded gasoline. Be sure that the container you pour the gasoline from is clean and free from rust or other foreign particles. Never use gasoline that may be stale from long periods of storage in the container.

⚠ CAUTION: Gasoline is flammable and caution must be used when handling or storing it.

Do not fill fuel tank while snow thrower is running, when it is hot, or when snow thrower is in an enclosed area.

Keep away from open flame or an electrical spark and **DO NOT SMOKE** while filling the fuel tank.


NEVER fill the tank completely. **FILL THE TANK** to within 1/4" - 1/2" from the top to provide space for expansion of fuel.

Always fill fuel tank outdoors and use a funnel or spout to prevent spilling.

Make sure to wipe up any spilled fuel before starting the engine.

Store gasoline in a clean, approved container and keep the cap in place on the container.

TO STOP ENGINE

- To stop engine, move the throttle control lever to  (STOP) position and remove key. Keep the key in a safe place. The engine will not start without the key.



NOTE: **DO NOT** turn key.

TO START ENGINE (Electric Starter)

Be sure that the engine has sufficient oil. The snow thrower engine is equipped with a

120 volt A.C. electric starter and recoil starter. Before starting the engine, be certain that you have read the following information:

COLD START

- Be sure the auger drive and traction drive levers are in the disengaged (released) position.
- Move the throttle control to  (FAST) position. See figure on page 9.
- Remove the keys from the plastic bag. Insert one key into the ignition slot. Be sure it snaps into place. **DO NOT TURN KEY.** Keep the second key in a safe place.
- Rotate the choke knob to  choke On position. See figure on page 9.
- Connect the power cord to the switch box on the engine.

⚠ CAUTION: This starter is equipped with a three-wire power cord and plug and is designed to operate on 120volt AC household current. It must be properly grounded at all times to avoid the possibility of electrical shock, which may be injurious to operator. Follow all instructions carefully as set forth in the "To Start Engine" section. Determine that your house wiring is a three-wire grounded system. Ask a licensed electrician if you are not sure. If your house wire system is not a three-wire system, do not use this electric starter under any conditions. If your system is grounded and a three-hole receptacle is not available at the point your starter will normally be used, one should be installed by a licensed electrician. When connecting 120 volt AC power cord, always connect the cord to the switch box on the engine first, then plug the other end into the three-hole grounded receptacle. When disconnecting power cord, always unplug the end in the three-hole grounded receptacle first.

- Plug the other end of the power cord into a three-hole, grounded 120 volt A.C. receptacle.
- Push the primer button while covering the vent hole as follows: (Remove finger from primer button between primes). See figure on page 9 for location.


Do not prime if temperature is above 50°F.

Two times if temperature is 50°F to 15°F.


Four times if temperature is below 15°F.

- Push down on the starter button until the engine starts. Do not crank for more than 10 seconds at a time. This electric starter is thermally protected. If overheated it will stop automatically and can be restarted only when it has cooled to a safe temperature (a wait of about 5 to 10 minutes is required).
- When the engine starts, release the starter button and move choke lever to "1/2 choke" position. When engine runs smoothly, move choke lever to "No Choke" Position.
- Disconnect the power cord from the receptacle first and then from the switch box on engine.

NOTE: Allow the engine to warm up for several minutes before blowing snow in temperatures below 0°F.

- Run the engine at full throttle  (FAST) when throwing snow.

TO STOP ENGINE



- To stop engine, move the throttle control lever to  (STOP) position and remove key. Keep the key in a safe place. The engine will not start without the key.

NOTE: DO NOT turn key.

TO START ENGINE (Recoil Starter)

Be sure that the engine has sufficient oil. The snow thrower engine is equipped with a recoil starter. Before starting the engine, be certain that you have read the following information:

COLD START

- Be sure the auger drive and traction drive levers are in the disengaged (released) position.
- Move the throttle control to  (FAST) position. See figure on page 9 for location.
- Remove the keys from the plastic bag. Insert one key into the ignition slot. Be sure it snaps into place. **DO NOT TURN KEY.** Keep the second key in a safe place.
- Rotate the choke knob to  choke On position. See figure on page 9.
- Push the primer button, see figure on page 9, while covering the vent hole as follows: (Remove finger from primer button between primes).

Do not prime if temperature is above 50°F.

Two times if temperature is 50°F to 15°F.

Four times if temperature is below 15°F.

- Pull the recoil starter handle rapidly. Do not allow the handle to snap back, but allow it to rewind slowly while keeping a firm hold on the starter handle.
- As engine starts warms up move choke lever to "1/2 choke" position. When engine runs smoothly, move choke lever to "No Choke" Position.

NOTE: Allow the engine to warm up for several minutes before blowing snow in temperatures below 0°F.

- Run the engine at full throttle  (FAST) when throwing snow.

WARM START

If restarting a warm engine after a short shutdown, leave choke at (OFF) and do not push the primer button. If the engine fails to start, follow the Cold Start instructions above.

FROZEN RECOIL STARTER

If the starter is frozen and will not turn engine:

- Pull as much rope out of the starter as possible.
- Release the starter handle and let it snap back against the starter.

If the starter still fails to turn engine, repeat the two previous steps until the starter engages. Then continue with the directions for cold start.

To help prevent possible freeze-up of recoil starter and engine controls, proceed as follows after each snow removal job.

- **With the engine running,** pull the starter rope hard with a continuous full arm stroke three or four times. Pulling of starter rope will produce a loud clattering sound. This is not harmful to the engine or starter.
- **With the engine not running,** wipe all snow and moisture from the carburetor cover in area of control levers. Also move throttle control, choke control, and starter handle several times.

⚠ CAUTION: Never run engine indoors or in enclosed, poorly ventilated areas. Engine exhaust contains CARBON MONOXIDE, AN ODORLESS AND DEADLY GAS. Keep hands, feet, hair and loose clothing away from any moving parts on engine and snow thrower.

WARNING: Temperature of muffler and nearby areas may exceed 150° F. Avoid these areas.

DO NOT allow children or young teenagers to operate or be near snow thrower while it is operating.

⚠ CAUTION: Do no attempt to remove any item that may become lodged in auger without taking the following precautions:

- Release auger drive and traction drive levers.
- Move throttle lever to stop position.
- Remove (DO NOT TURN) ignition key.
- Disconnect spark plug wire.
- Do not place your hands in the auger or discharge chute. Use a pry bar.

SNOW THROWING TIPS

- For maximum snow thrower efficiency in removing snow, adjust ground speed, **NEVER** the throttle. Go slower in deep, freezing, or wet snow. If the tracks slip, reduce forward speed. The engine is designed to deliver maximum performance at full throttle and should be run at this power setting at all times. Most efficient snow blowing is accomplished when the snow is removed immediately after it falls.
- For complete snow removal, slightly overlap each path previously taken. Use more overlap in deep snow to prevent overloading.
- The snow should be discharged down wind whenever possible. In windy conditions, lower the chute deflector to direct discharged snow close to the ground, where it is less likely to blow into unwanted areas.
- For normal usage, set the skids so that the scraper bar is 1/8" above the skids. For extremely hard-packed snow surfaces, adjust the skids upward so that the scraper bar touches the ground.

- On gravel or crushed rock surfaces, set the skids at 1-1/4" below the scraper bar (See To Adjust Skids Height paragraph on page 17). Stones and gravel must not be picked up and thrown by the machine.
- After the snow throwing job has been completed, allow the engine to idle for a few minutes, which will melt snow and accumulated ice off the engine.
- Clean the snow thrower thoroughly after each use.
- Remove ice and snow accumulation and all debris from the entire snow thrower, and flush with water (if possible) to remove all salt or other chemicals. Wipe snow thrower dry.

PRODUCT SPECIFICATIONS

HORSE POWER:	6HP
DISPLACEMENT:	11.88 cu. in.
GASOLINE CAPACITY:	4 quart (unleaded)
OIL (20 oz. Capacity) :	5W-30
SPARK PLUG:	Champion RC19LM (Gap .030) or Equivalent
VALVE CLEARANCE:	Intake: .010 In. Exhaust: .010 In.

MAINTENANCE

CUSTOMER RESPONSIBILITIES

SERVICE RECORDS Fill in dates as you complete regular service	SCHEDULE							SERVICE DATES					
	After first 2 Hours	Before Each Use	As Needed	Every 10 Hours	Every 25 Hours	Each Season	Before Storage						
Check Engine Oil Level		✓				✓							
Change Engine Oil					✓	✓							
Tighten all screws and nuts Check Traction Clutch Cable	✓	✓	✓										
Adjustment (See cable Adj)	✓					✓							
Replace Spark Plug					✓	✓							
Replace Drive Belts						✓							
Lubricate all pivot points				✓				✓					
Drain Fuel								✓					
Check Auger Clutch Cable Adjustment (See Cable Adj)	✓					✓							
Lubricate Disc Drive Plate Zerk					✓			✓					

GENERAL RECOMMENDATIONS

The warranty on this snow thrower does not cover items that have been subjected to operator abuse or negligence. To receive full value from the warranty, the operator must maintain the snow thrower as instructed in this manual. The above chart is provided to assist the operator in properly maintaining the snow thrower.

Some adjustments will need to be made periodically to properly maintain your snow thrower.

AFTER FIRST USE

- Check the tracks for tension and adjust if necessary (see first figure on page 16).
- Check the track adjustment and fasteners regularly.
- Be sure that all fasteners are tight.

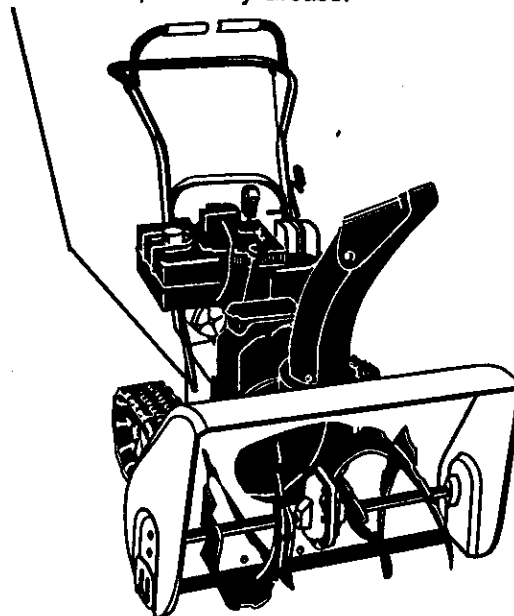
AS REQUIRED

The following adjustments should be performed more than once each season.

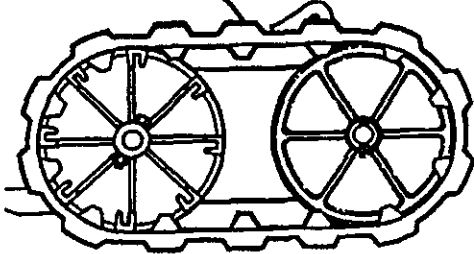
- All screws and nuts should be checked often to make sure they are tight, preferable after each use.
- If any parts are worn or damaged, replace immediately.

LUBRICATION CHART

Lubricate Disc Drive Plate Zerk with a Hi Temp EP Moly Grease.



Check track for tension (Pull up gently at center)



LUBRICATION - EVERY 25 HOURS

- Lubricate Disc Drive Plate every 25 hours and at the end of the season and/or before storage.

To Lubricate:

- Remove bottom panel. See second figure on page 20.
- Position speed selector lever in first gear.
- Turn disc drive plate clockwise by hand until grease zerk is clearly visible at front center. See second figure on this page.
- Place a coin or (a shim of equal thickness) between the rubber friction wheel and disc drive plate to prevent rubber friction wheel contacting the drive disc.
- To grease zerk, use a hand grease gun, lubricate with a Hi Temp EP Moly grease. See inset of second figure on this page. **DO NOT** over fill or allow grease to come in contact with the disc drive plate or friction wheel or damage will result. Fill zerk only until grease becomes visible below bearing assembly located under grease zerk. See insert in second figure.

IMPORTANT: Remove coin and ensure that a gap exists between friction wheel and disc drive plate.

- Re-assemble bottom panel.

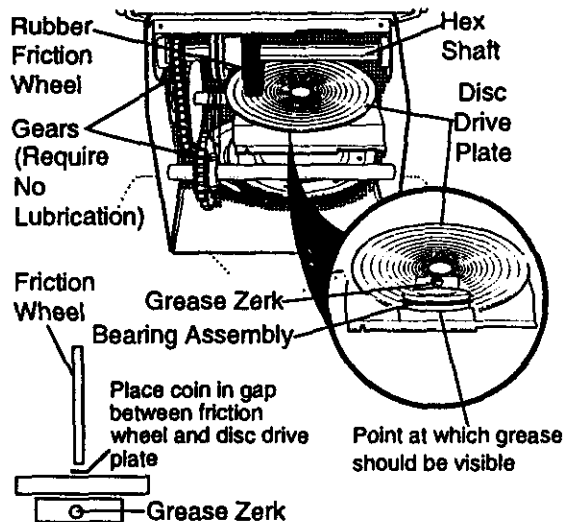
SNOW THROWER

LUBRICATION - EVERY TEN HOURS

- Weight Transfer System – Coat weight transfer side plates with clinging type grease, such as Lubriplate, every ten hours and before storage (see Lubrication Chart on page 15).

NOTE: Clean all excess grease found on friction disc hub.

CAUTION: Do not allow grease to contact friction wheel and disc drive plate.



LUBRICATION

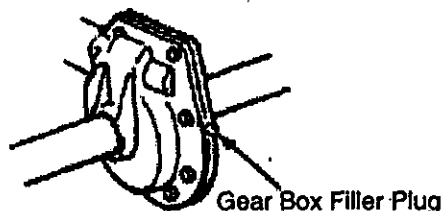
- Hex Shaft and Gears - Hex shaft and gears require no lubrication. All bearings and bushings are lifetime lubricated and require no maintenance. See figure above.

NOTE: Any greasing or oiling of the above components can cause contamination of the friction wheel. If the disc drive plate or friction wheel comes in contact with grease or oil, damage to the friction wheel will result.

Should grease or oil come in contact with the disc drive plate or friction wheel, be sure to clean the plate and wheel thoroughly.

NOTE: For storage, the hex shaft and gears should be wiped with 5W-30 motor oil to prevent rusting. See figure above.

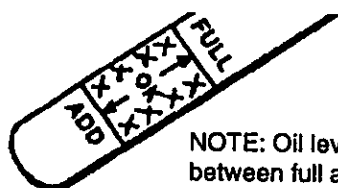
- Auger Gear Box - The auger gear box is lubricated at the factory and should not require additional lubrication. If for some reason the lubricant should leak out, or if the auger gear box has been serviced, add Lubriplate No. 630-AA or equivalent. Maximum 3 1/4 ounces should be used. Remove filler plug as seen in figure below once a year. If grease is visible, do not add. If grease is not visible, use a piece of fine wire like a dipstick, to check if there is grease in the gearbox. Add grease if necessary. Reinstall gear box filler plug.



ENGINE

LUBRICATION

Check the crankcase oil level (see figure below) before starting the engine and after each five (5) hours of continuous use. Add S.A.E. 5W30 motor oil as needed. Tighten fill cap/dipstick securely each time you check the oil level.



NOTE: Oil level must be between full and add mark

OIL RECOMMENDATION

Only use high quality detergent oil rated with API service classification SG. Select the oil's viscosity grade according to your expected operating temperature:

NOTE: For extreme cold operating conditions of 0° and below, use a partial synthetic 0W30 motor oil for easier starting.

NOTE: Although multi-viscosity oils improve starting in cold weather, these multi-viscosity oils will result in increased oil consumption when used above 32°F. Check your engine oil level more frequently to avoid possible engine damage from running low on oil.

Change the oil every 25 hours and at the beginning of each season.

- Position the snow thrower so that the oil drain plug is at the lowest point on the engine. Remove the oil drain plug and the oil fill cap/dipstick. Drain the oil into a suitable container. Oil will drain more freely when warm.
- Replace the oil drain plug and tighten securely.

SPARK PLUG

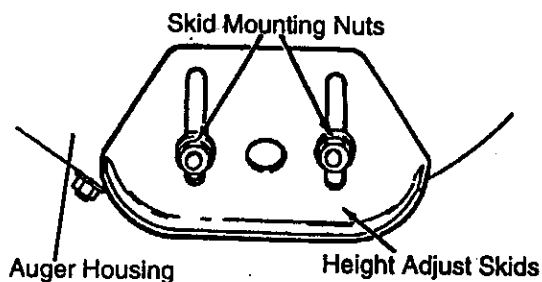
- Make sure that the spark plug is tightened securely into the engine and the spark plug wire is attached to the spark plug.
- If a torque wrench is available, torque plug to 18 to 23 foot pounds.
- Clean the area around the spark plug base before removal to prevent dirt from entering the engine.
- Clean the spark plug and reset the gap periodically at .030 inch.

SERVICE AND ADJUSTMENTS

CAUTION: Always disconnect the spark plug wire and tie back away from the plug before making any adjustments or repairs.

TO ADJUST SKID HEIGHT

This snow thrower is equipped with two height adjustment skids, located on the outside of the auger housing (see figure below). These skids elevate the front of the snow thrower.



For normal hard surfaces, adjust the skids as follows:

- Make sure the weight transfer system is released by holding upper handle firmly and pushing down weight transfer pedal with the ball of your foot.
- Loosen the skid mounting nuts (see figure on this page) and adjust the skids up to bring the front of the snow thrower down. Re-tighten the mounting nuts.
- Set the skid on the other side at the same height.

For rocky or uneven surfaces, adjust the skids as follows:

- Raise the front of the snow thrower by moving the skids down. This will help prevent rocks and other debris from being picked up and thrown by the auger.

NOTE: If the skids are at the maximum height, the weight transfer system will not work.

TO ADJUST SCRAPER BAR

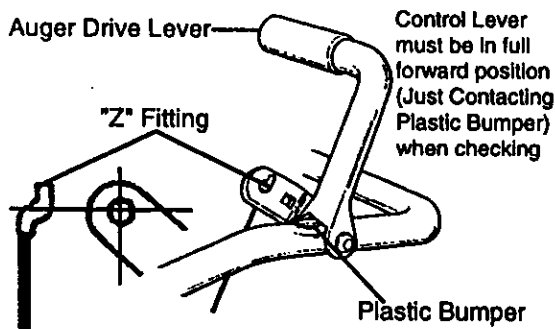
After considerable use, the metal scraper bar will have a definite wear pattern. The scraper bar may have to be returned to its original lower setting to maintain the original performance level. To adjust:

- Position the snow thrower on a level surface.
- Loosen the carriage bolts and nuts securing the scraper bar to the auger housing.
- Adjust the scraper bar to the proper position.
- Tighten the carriage bolts and nuts, making sure that the scraper bar is parallel with the working surface.
- For extended operation, the scraper bar may be reversed. If the scraper bar must be replaced due to wear, remove the carriage bolts and nuts and install a new scraper bar.

⚠ CAUTION: Be certain to maintain proper ground clearance for your particular area to be cleared. Objects such as gravel, rocks or other debris, if struck by the impeller, may be thrown with sufficient force to cause personal injury, property damage or damage to the snow thrower.

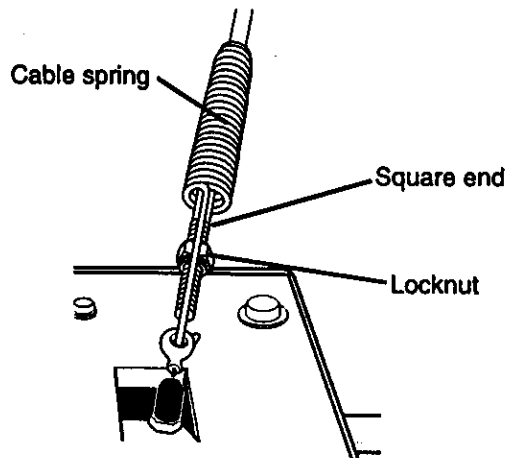
TO ADJUST THE CLUTCH CONTROL CABLES

Periodic adjustment of the cables may be required due to normal stretch and wear on the belts. To check for correct adjustment, the control lever must be in the full forward position, resting on the plastic bumper. The control cables are correctly adjusted when the center of the "Z" fitting is in the center of the hole and there is no droop in the cable. See figure below.



If adjustment is necessary:

- Remove fuel from tank, and stand blower on end.
- Disconnect the "Z" fitting from drive lever.
- Pull rubber boot off the top of the spring. Push the cable through the spring (see figure below) to expose the threaded portion of the cable.



- Hold the square end of the threaded portion with pliers and adjust the locknut in or out until the excess slack is removed.
- Pull the cable back through the spring and connect the cable. Do the same for the other lever cable, if needed.

NOTE: Whenever the traction drive or auger belts are adjusted or replaced, the cables will need to be adjusted.

TO ADJUST BELTS

AUGER DRIVE BELT

If your snow thrower will not discharge snow, check the control cable adjustment. If it is correct, then check the condition of the auger drive belt. It may be loose or damaged. If it is damaged, replace it (see To Replace Belts paragraph on page 19).

TRACTION DRIVE BELT

The traction drive belt (see first figure on page 19) has constant spring pressure and does not require adjustment.

- Replace the traction drive belt if it is slipping (see To Replace Belts paragraph on page 19).

TO REPLACE BELTS

The drive belts on this snow thrower are of special construction and should be replaced with original equipment belts available from your nearest Craftsman Store or Service Center.

You will need the assistance of a second person while replacing the belts.

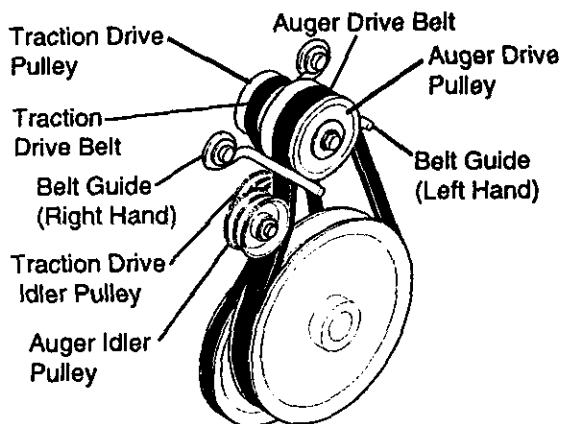
Drain the gasoline from the fuel tank by removing the fuel line at the carburetor. Drain the gas into a container and reinstall the fuel line.

CAUTION: Drain the gasoline outdoors, away from fire or flame.

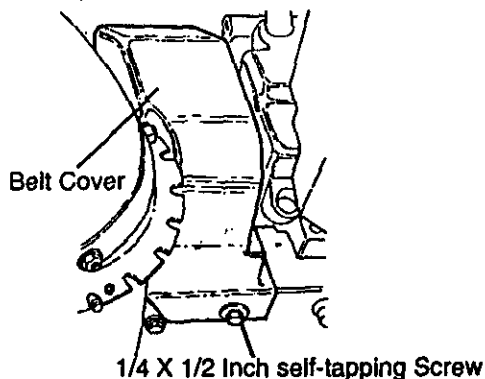
AUGER DRIVE BELT

If your snow thrower will not discharge snow, and the auger drive belt (see figure below) is damaged, replace it as follows:

- Disconnect the spark plug wire.



- Remove the belt cover (see figure below).



- Loosen the belt guides (see first figure on this page) and pull away from the engine drive pulley.
- Loosen nut on the auger idler pulley (see first figure on this page) and pull idler pulley away from the belt.

- Remove top two bolts that secure auger housing to motor mount frame. Loosen bottom two bolts. Auger housing and motor mount frame will separate, hinged by bottom two bolts.
- Remove old belt from the auger drive pulley.
- Install the original equipment replacement belt in reverse order of removal.
- Position drive belt onto the auger drive pulley.
- Adjust the belt guides (see To Adjust The Belt Guides paragraph on page 20).
- Reinstall the belt cover.
- Check clutch control cable adjustment, see page 18.
- Reconnect spark plug wire.

TRACTION DRIVE BELT

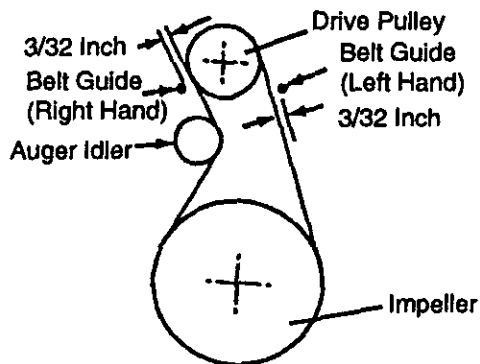
If your snow thrower will not move forward, check the traction drive belt (see first figure on this page for wear (Check other causes also in the Trouble Shooting Points section). If the traction drive belt needs to be replaced, proceed as follows:

- Disconnect the spark plug wire.
- Remove the belt cover (see last figure on this page).
- Loosen the belt guides and pull away from engine drive pulley (see first figure on this page).
- Loosen nut on auger idler and pull auger idler pulley away from belt. Note location of idler pulley for later re-installation.
- Remove auger drive belt from engine pulley.
- Pull the idler pulley away from the drive belt, allowing belt to be positioned onto engine pulley.
- Release idler pulley. Ensure idler pulley is properly engaged with belt.
- Reinstall auger drive belt.
- Adjust belt guides (see To Adjust The Belt Guides paragraph on page 20).
- Adjust idler on auger belt.
- Reinstall the belt cover.
- Reconnect the spark plug wire.

TO ADJUST THE BELT GUIDES

After you replace the traction or auger drive belt, you need to adjust one or both of the belt guides. Proceed as follows:

- Disconnect the spark plug wire.
- Remove the belt cover (See last figure on page 19).
- Engage the auger drive clutch lever.
- Measure the distance between the belt guides and the belt (See next figure). The distance should be $\frac{3}{32}$ " for each guide.

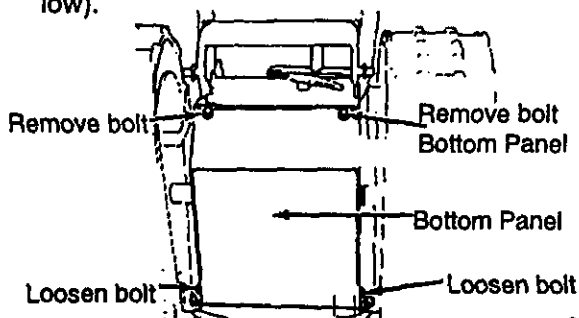


- If adjustment is necessary, loosen the belt guide mounting bolts. Move the belt guides to the correct position. Tighten the mounting bolts.
- Reinstall the belt cover.
- Reconnect the spark plug wire.

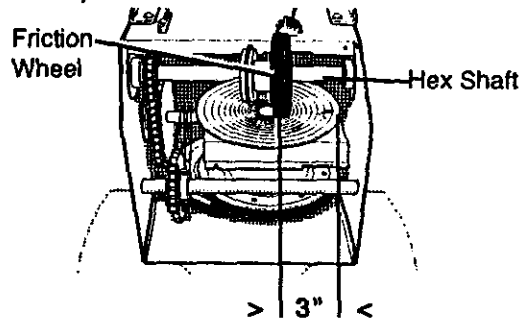
TO ADJUST THE FRICTION WHEEL

If the snow thrower will not move forward, you need to check the traction drive belt, the traction drive cable or the friction wheel. If the friction wheel is damaged, it will need to be replaced (see the To Replace Friction Wheel paragraph on pages 20 and 21). If the friction wheel is not worn, check the adjustment, as follows:

- Disconnect the spark plug wire.
- Drain the gasoline from the gas tank.
- Stand snow thrower on the auger housing end.
- Remove the bottom panel (see figure below).

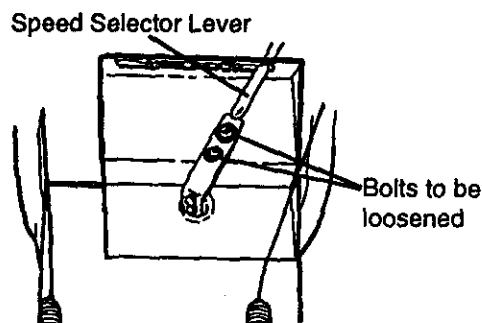


- Position the shifter lever in first (1) gear.
- Note the position of the friction wheel on the disc drive plate. The right outer side of the disc drive plate should be 3" from the center of the friction wheel (See figure below).



If adjustment is necessary:

- Loosen bolts in speed selector lever (see figure below).

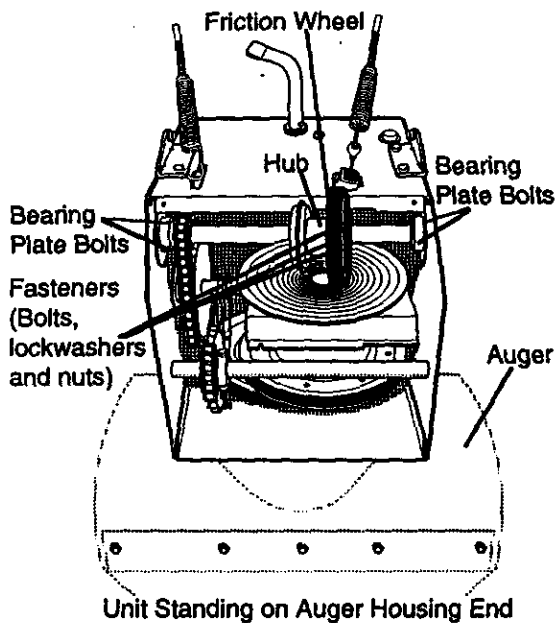


- Move friction wheel to proper position as indicated in previous step.
- Re-tighten bolts in speed selector lever.
- Reinstall the bottom panel.

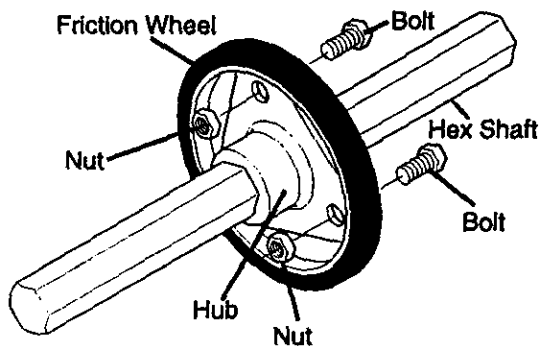
TO REPLACE FRICTION WHEEL

If the snow thrower will not move forward, and the friction wheel is worn or damaged, you need to replace it as follows: (First allow the engine to cool).

- Drain the gasoline from the fuel tank.
- Drain the fuel in a container and reinstall the fuel line.
- Disconnect the spark plug wire.
- Stand the snow thrower up on the auger housing end (see first figure on page 21).
- Remove the bottom panel (see second figure on this page).
- Remove the three (3) fasteners securing the friction wheel to the hub (see second figure on page 21).
- Remove the four bolts securing the bearing plates (both sides), (see first figure on page 21).



- Remove right side bearing plate. Leave hex shaft in original position.
- Remove friction wheel from hub. Slip friction wheel off hex shaft towards right side. See figure below.
- Position new friction wheel onto hub. See Figure below.



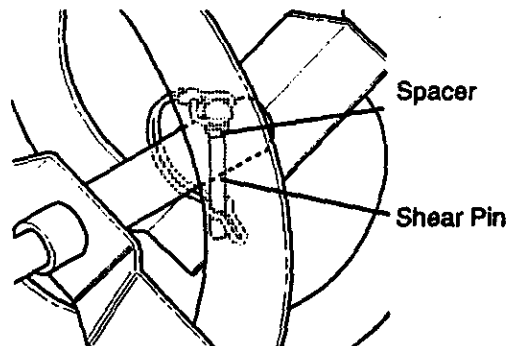
- Install bearing plates to original position. Ensure hex shaft is engaged with both bearing plates.
- Secure bearing plates, using bolts removed earlier.
- Secure friction wheel to hub using fasteners removed earlier. Ensure hex shaft turns freely.
- Should friction wheel require adjustment (see To Adjust the Friction Wheel on page 20).

NOTE: Ensure friction wheel and friction disc are free from grease or oil.


- Replace bottom panel.

TO REPLACE AUGER SHEAR BOLT

The augers are secured to the auger shaft with special bolts (see figure below) that are designed to break (to protect the machine) if an object becomes lodged in the auger housing. Use of a harder bolt will destroy the protection provided by the shear bolt. Your replacement shear bolts are found in your tool box located on belt cover.



IMPORTANT: To ensure safety and performance levels, only original equipment shear bolts should be used. When replacing shear bolts, be sure to replace shear bolt spacers. To replace a broken shear bolt, proceed as follows:

- Move the throttle to  (STOP) and turn off all controls.
- Disconnect the spark plug wire. Be sure all moving parts have stopped.
- Lubricate the auger shaft by squirting Lubriplate or a fiber impregnated grease into the shear bolt hole in the auger shaft. Then rotate the auger to distribute the oil in the shaft.
- Align the hole in the auger tube with the hole in the auger shaft. Install the new shear pin and spacer found in toolbox located on top of belt cover.

NOTE: Spacer fits inside the larger hole in the auger tube.

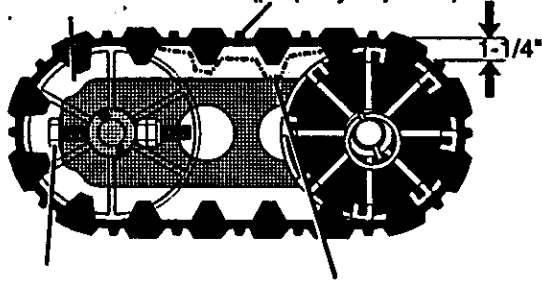
- Reconnect the spark plug wire.

TO ADJUST TRACK

If the snow thrower does not move forward evenly and the track slips slightly, you need to check the track as follows:

- Pull up gently on the center of the track near the center.
- Measure the distance between the track and the top of the track support frame (see first figure on page 22). The distance should not be more than one and one-quarter (1-1/4) inches.

Track (properly adjusted)



Track (out of adjustment)

If the distance is greater, you need to adjust the track as follows:

- Loosen or tighten the adjusting bolt at the rear of the track support frame (see figure above) to obtain the proper distance between the track and the track support frame.
- Adjust the track on the opposite side in the same manner.

TO ADJUST CARBURETOR

If you think your carburetor needs adjusting, see your nearest Authorized Craftsman Service Center. Engine performance should not be affected at altitudes up to 7,000 feet. For operation at higher elevations, contact your Authorized Craftsman Service Center.

IMPORTANT: Never tamper with the engine governor, which is factory set for proper engine speed. Overspeeding the engine above the factory high speed setting can be dangerous. If you think the engine-governed high speed needs adjusting, contact your nearest Craftsman Service Center, which has the proper equipment and experience to make any necessary adjustments.

TO ADJUST OR REPLACE THE SPARK PLUG

NOTICE: This spark ignition system meets all requirements of the Canadian Interference-Causing Equipment Regulations.

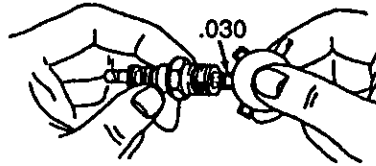
NOTICE: This engine complies with all current Australian and New Zealand limitations regarding electromagnetic interference.

If you have difficulty starting your snow thrower, you may need to adjust or replace the spark plug. Follow the instructions below.

Replace the spark plug if the electrodes are pitted or burned or if the porcelain is cracked.

TO ADJUST:

- Clean the spark plug by carefully scraping the electrodes (do not sand blast or use a wire brush).
- Be sure the spark plug is clean and free of foreign material. Check the electrodes gap (see figure below) with a wire feeler gauge and reset the gap to .030 inch if necessary.



TO REPLACE:

- If you need a new spark plug, use only the proper replacement spark plug (See page 14).
- Set the gap to .030.
- Before installing the spark plug, coat its threads lightly with oil or grease to insure easy removal.
- Tighten the plug firmly into the engine.
- If a torque wrench is available, torque the plug to 18 to 23 ft. - lbs.

STORAGE

⚠ CAUTION: Never store your snow thrower indoors or in an enclosed, poorly ventilated area if gasoline remains in the tank. fumes may reach an open flame, spark or pilot light from a furnace, water heater, clothes dryer, cigarette, etc.

To prevent engine damage (if snow thrower is not used for more than 30 days) follow the steps below.

SNOW THROWER STORAGE

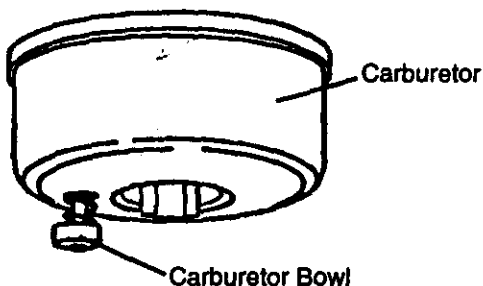
- Thoroughly clean the snow thrower.
- Lubricate all lubrication points (See the Maintenance section on pages 15-17).
- Be sure that all nuts, bolts and screws are securely fastened. Inspect all visible moving parts for damage, breakage and wear. Replace if necessary.
- Touch up all rusted or chipped paint surfaces; sand lightly before painting.
- Cover the bare metal parts of the blower housing auger and the impeller with rust preventative, such as a spray lubricant.

NOTE: A yearly checkup or tune-up by a Craftsman Service Center is a good way to insure that your snow thrower will provide maximum performance for the next season.

ENGINE STORAGE

Gasoline must be removed or treated to prevent gum deposits from forming in the tank, filter, hose, and carburetor during storage. Also during storage, alcohol blended gasoline that uses ethanol or methanol (sometimes called gasohol) attracts water. It acts on the gasoline to form acids which damage the engine.

- To remove gasoline, run the engine until the tank is empty and the engine stops. Then drain remaining gasoline from carburetor by pressing upward on bowl drain located on the bottom of carburetor (see figure below).



- If you do not want to remove gasoline, use fuel stabilizer supplied with unit or purchase Craftsman Fuel Stabilizer No. 33500. Add fuel stabilizer to any gasoline left in the tank to minimize gum deposits and acids. If the tank is almost empty, mix stabilizer with fresh gasoline in a separate container and add some to the tank.

Always follow instructions on stabilizer container. Then run engine at least 10 minutes after stabilizer is added to allow mixture to reach carburetor. Store snow thrower in a safe place. See Warning above.

You can keep your engine in good operating condition during storage by:

- Changing oil (See page 14).
- Lubricating the piston/cylinder area. This can be done by first removing the spark plug and squirting a few drops of clean engine oil into the spark plug hole. Then cover the spark plug hole with a rag to absorb oil spray. Next, rotate the engine by pulling the starter rope fully out two or three times. Finally, reinstall spark plug and attach spark plug wire.

OTHER

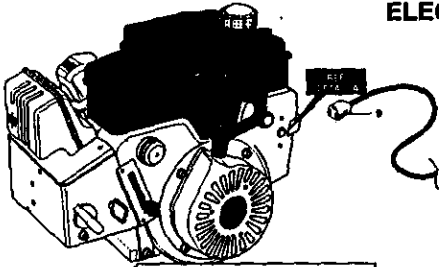
- If possible, store your snow thrower indoors and cover it to give protection from dust and dirt.
- If the machine must be stored outdoors, block up the snow thrower to be sure the entire machine is off the ground.
- Cover the snow thrower with a suitable protective cover that does not retain moisture. Do not use plastic or vinyl.

IMPORTANT: Never cover snow thrower while engine and exhaust areas are still warm.

TROUBLE SHOOTING

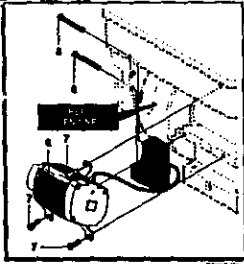
TROUBLE	CAUSE	CORRECTION
Difficult starting	Defective spark plug Water or dirt in fuel system	Replace defective plug Use carburetor bowl drain to flush and refill with fresh fuel
Engine runs erratically	Blocked fuel line or low on fuel	Clean fuel line; check fuel supply; add fresh gasoline (gasoline/oil mixture if 2-cycle engine)
Engine stalls	Unit running on CHOKE	Move choke lever to OFF position
Engine runs erratically; or Loss of power	Water or dirt in fuel system	Use carburetor bowl drain to flush and refill with fresh fuel
Excessive vibration	Loose parts; damaged impeller	Stop engine immediately and disconnect spark plug wire. Tighten all bolts and make all necessary repairs. If vibration continues, have the unit serviced by a Craftsman service repairman
Unit fails to propel itself	Drive belt loose or damaged Incorrect adjustment of auger control cable Worn or damaged friction wheel	Replace drive belt Adjust traction drive cable Repair friction wheel
Unit fails to discharge snow	Auger drive belt loose or damaged Auger control cable not adjusted correctly Shear bolt broken Discharge chute clogged Foreign object lodged in auger	Adjust auger drive belt; replace if damaged Adjust auger control cable Replace shear bolt. Stop engine immediately and disconnect spark plug wire. Clean discharge chute and inside of auger housing Stop engine immediately and disconnect spark plug wire. Remove object from auger.
Unit rides up	Weight transfer disengaged	Engage weight transfer system by lifting up on upper handle until bracket bolts snap into place in upper slots of weight transfer pedal.

**CRAFTSMAN 24" - 6H.P. SNOW THROWER 536.888400
ELECTRIC START ASSEMBLY**

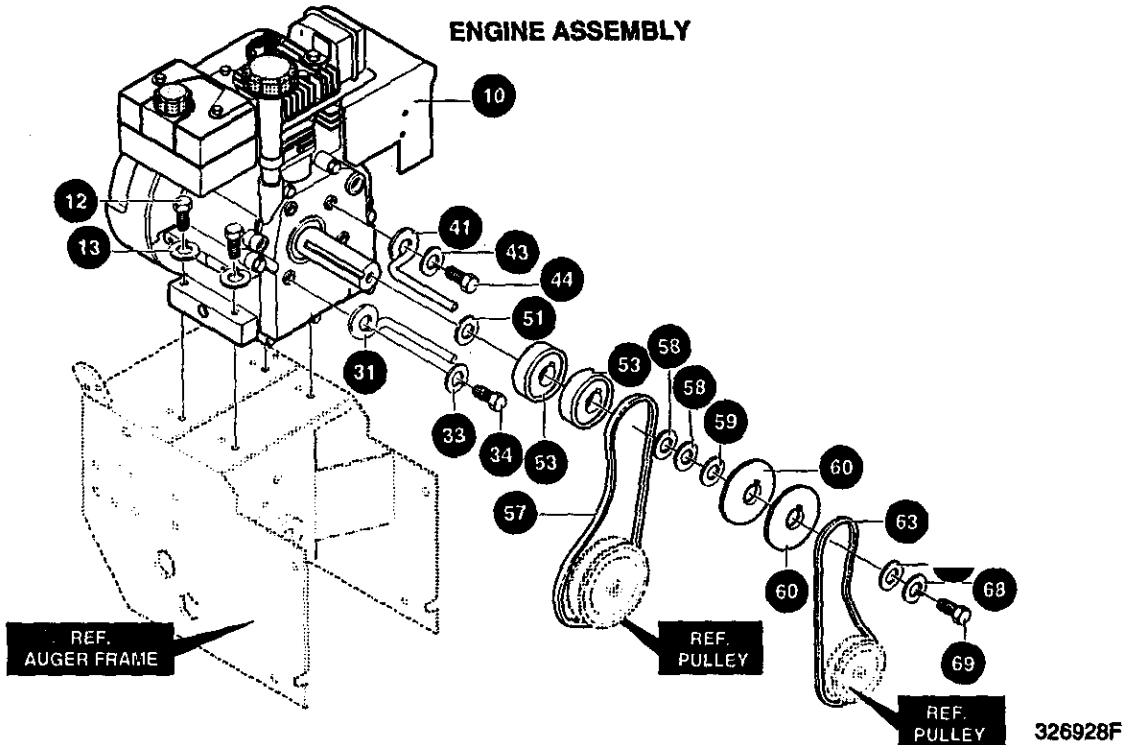


REF NO.	PART NO.	PART NAME
6	330783	Motor, Electric Starter
7	6216	Screw, 1/4-20x.50
8	300302	Screw #10 X .50
9	6219	Cord, Starter Motor
	760817	Owner's Manual Eng/Sp

342856A



ENGINE ASSEMBLY



REF. NO.	PART NO.	PART NAME
10	ENGINE	Model 143.985503 (See Engine pages)
12	710024	Screw, 5/16-18
13	120638	Washer, Hvsptk
31	3949	Guide, Rod Belt RH
33	120638	Washer, Hvsptk
34	910828	Screw, 5/16-24x1.00
41	3949	Guide, Rod Belt LH
43	120638	Washer, Hvsptk
44	910828	Screw, 5/16-24x1.00

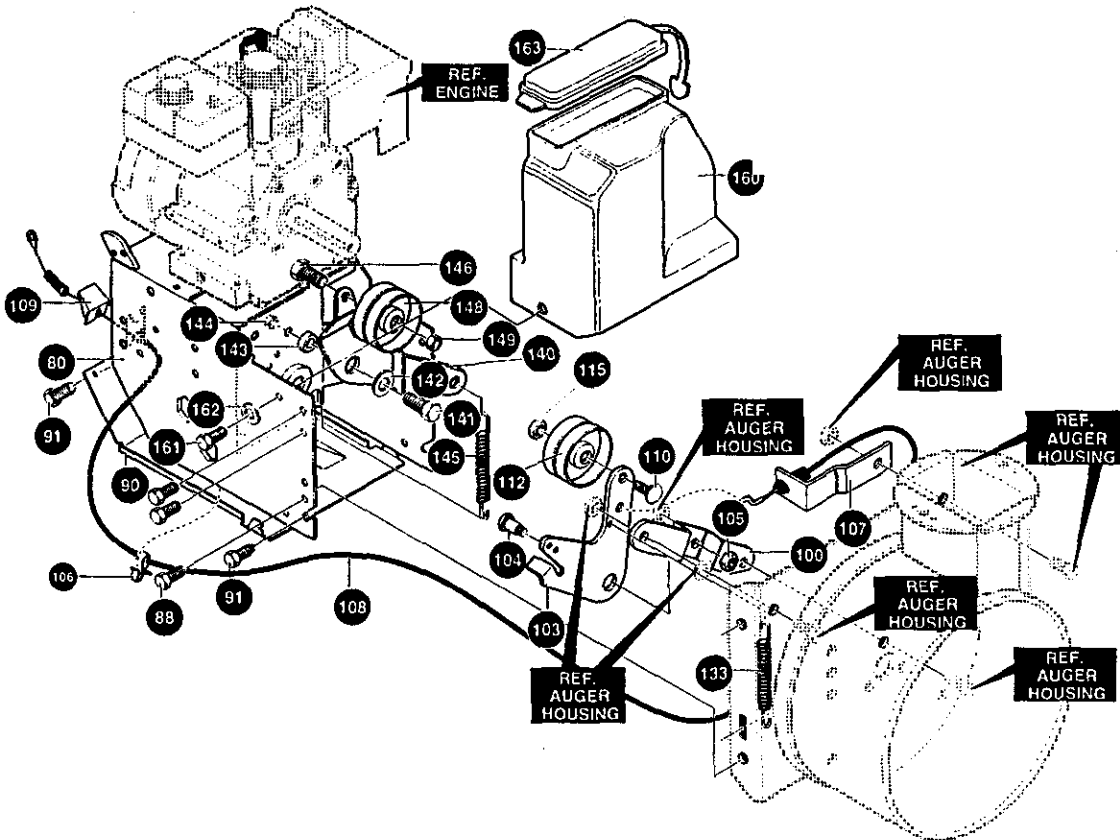
REF. NO.	PART NO.	PART NAME
51	579855	Washer, Crankshaft
53	579854	Pulley Half V3L
57	579932	Belt, V 3L 33.13Lg
58	73840	Flatwasher .765x1.12x.06
59	586251	Spacer, Sleeve
60	586253	Pulley, Engine
63	581264	Belt, V 4L
67	313826	Flatwasher
68	120382	Washer, Regsptk
69	39573	Screw, 3/8-24x1.00

Note: Always use original equipment parts. Use of service/replacement parts other than original parts may void your warranty.

All unnumbered items are interchangeable with opposite side

CRAFTSMAN 24" - 6H.P. SNOW THROWER 536.888400

FRAME ASSEMBLY



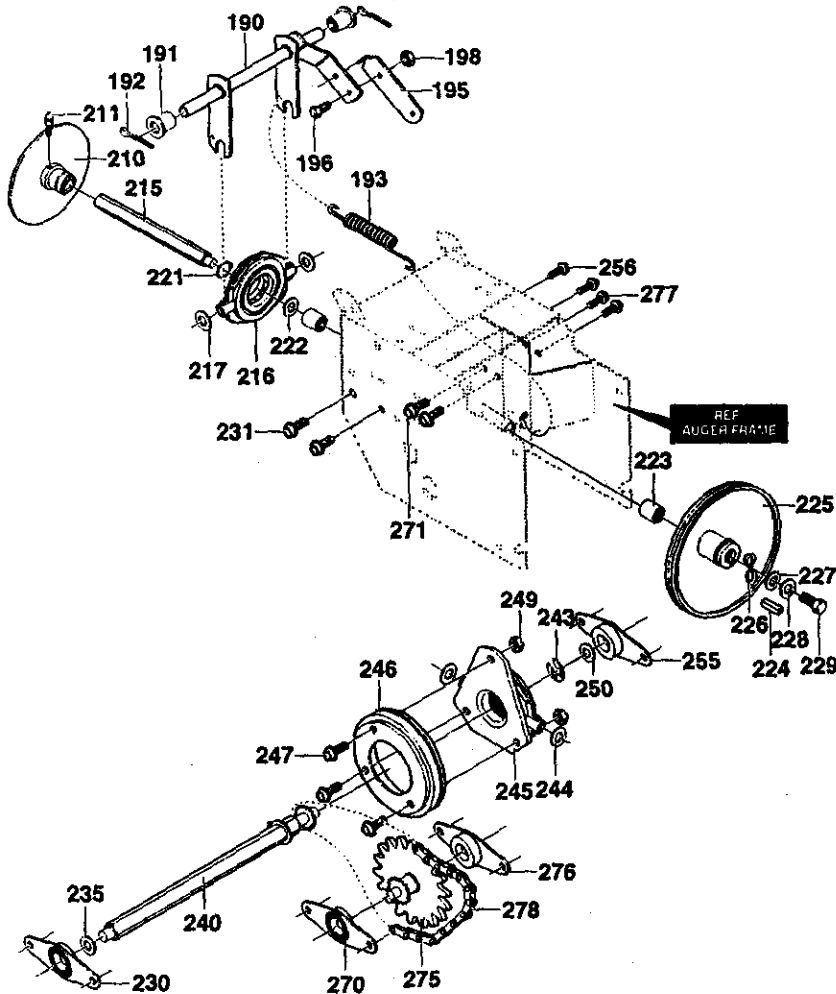
342573A

REF. NO.	PART NO.	PART NAME
80	761115-833	Frame Assembly
88	780055	Screw, 5/16-18x.50 Tap.
90	579760-853	Panel, Bottom
91	310169	Screw, 1/4-20x.63 Tap.
100	761195	Plate, Clutch Arm Mtg.
103	761198	Arm-Clutch
104	710200	Bolt, 3/8-16 Shoulder
105	41529	Nut, 3/8-16 Hxctrkjam
106	340682	Clip, Cable
107	340579	Bracket, Compact
108	761153	Cable, Auger Clutch Cont.
109	340869	Shield, Cable
110	180124	Screw, 3/8-16x1.25
112	313843	Idler Pulley

REF. NO.	PART NO.	PART NAME
115	41529	Nut, 3/8-16 Hxctrkjam
133	313854	Spring, Tension Return
140	579872	Lever, Idler Arm Traction
141	180077	Screw, 5/16-18x.75
142	73795	Flatwasher .328x.125x.075
143	579865	Bushing, Idler Lever
144	71038	Nut, 5/16-18 Hexctrk
145	313854	Idler Spring
146	180124	Screw, 3/8-16x1.25
148	313843	Idler Pulley
149	41529	Nut, 3/8-16 Hexctrkjam
160	760478	Belt Cover w/ Storage
161	310169	Screw, 1/4-20x.63 Tap
162	71067	Flatwasher .281x.63x.066
163	760539	Lid, Belt Cover Tool Box

CRAFTSMAN 24" -6H.P. SNOW THROWER 536.888400

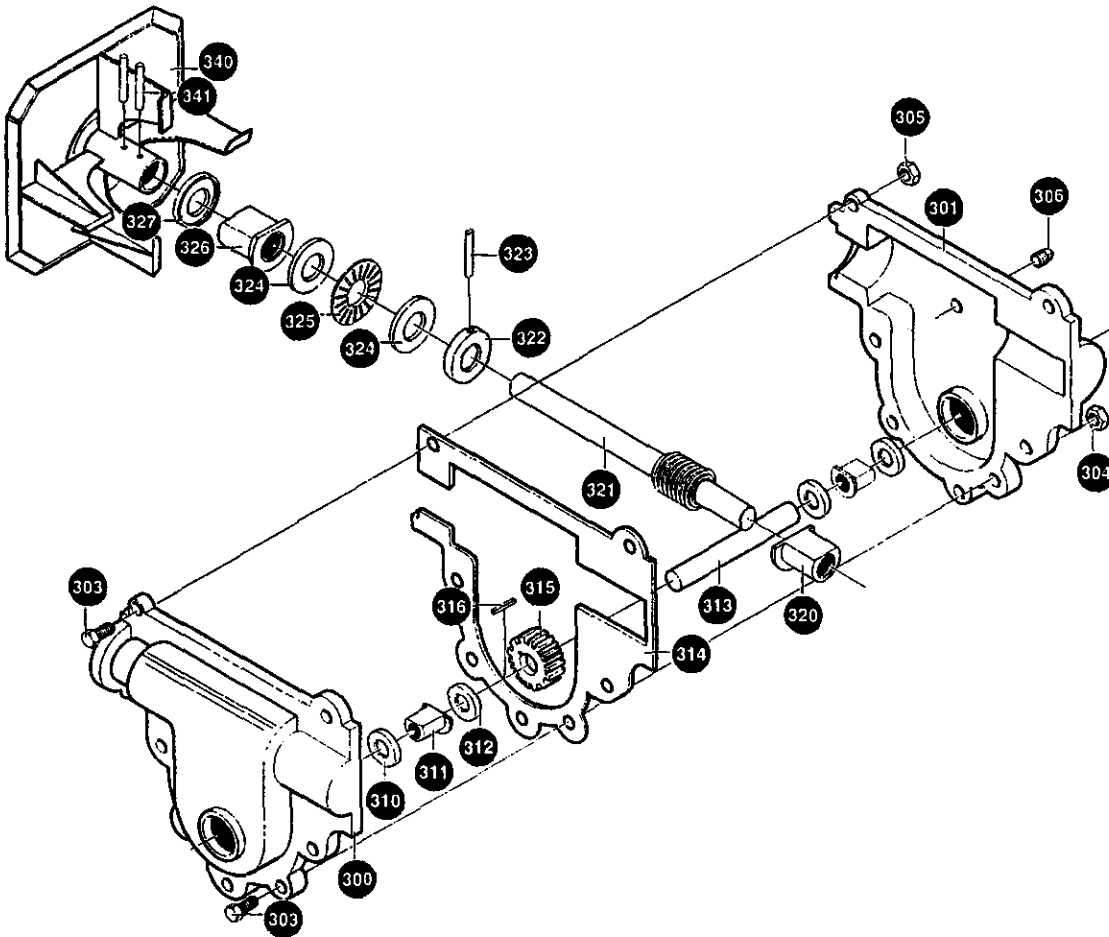
DRIVE ASSEMBLY



313995K

REF. NO.	PART NO.	PART NAME	REF. NO.	PART NO.	PART NAME
190	579941	Lever, Shaft Tract. Clutch	231	780055	Screw, 5/16-18x.50 Tap.
191	313853	Bearing, Flanged	235	579858	Washer, Sp. .502x.75x.0605
192	137185	Cotter Pin .125x1.00	240	579897	Hex, Assy #40-8TW/PBmg
193	313919	Return Spring	243	462	Ring, Retex
195	579937	Lever, Spring Trac Cl.	244	71074	Flatwasher .53x1.00x.063
196	11871	Screw, 1/4-20x.63	245	337029	Bearing, Trunion Cl. Release
198	782585	Nut, 1/4-20 Reghexctrik	246	313883	Wheel Assy. Friction Disc
210	583163-853	Disc, Assy Fric. Wheel	247	11871	Screw, 1/4-20x.63
211	583206	Zer, Grease	249	303008	Nut, 1/4-20 Hexkeys
215	583155	Shaft, Hex Traction	250	579858	Washer, Sp .502x.75x.0605
216	85501	Bearing, Trunion	255	334163	Bearing & Retainer Assy.
217	71074	Bearing, Trunion	256	780055	Screw, 5/16-18x.50 Tap.
221	73811	Ring, Retaining	270	334163	Bearing & Retainer Assy.
222	580969	Flatwasher .680x1.12x.060	271	780055	Screw, 5/16-18x.50 Tap.
223	43846	Bearing, Ball	275	579893	Jack Assy #41-36T&8T
224	580970	Key, Square	276	334163	Bearing & Retainer Assy.
225	580961	Pulley, V3L	277	780055	Screw, 5/16-18x.50 Tap.
226	580965	Wave Washer	278	579867	Chain, Roller #42X40P
227	578962	Flatwasher .281x1.00x.063			
228	71059	Washer, Sp1tk			
229	302628	Screw, 1/4-20x.75			
230	334163	Bearing & Retainer Assy.			

**CRAFTSMAN 24" - 6H.P. SNOW THROWER 536.888400
GEAR CASE ASSEMBLY**

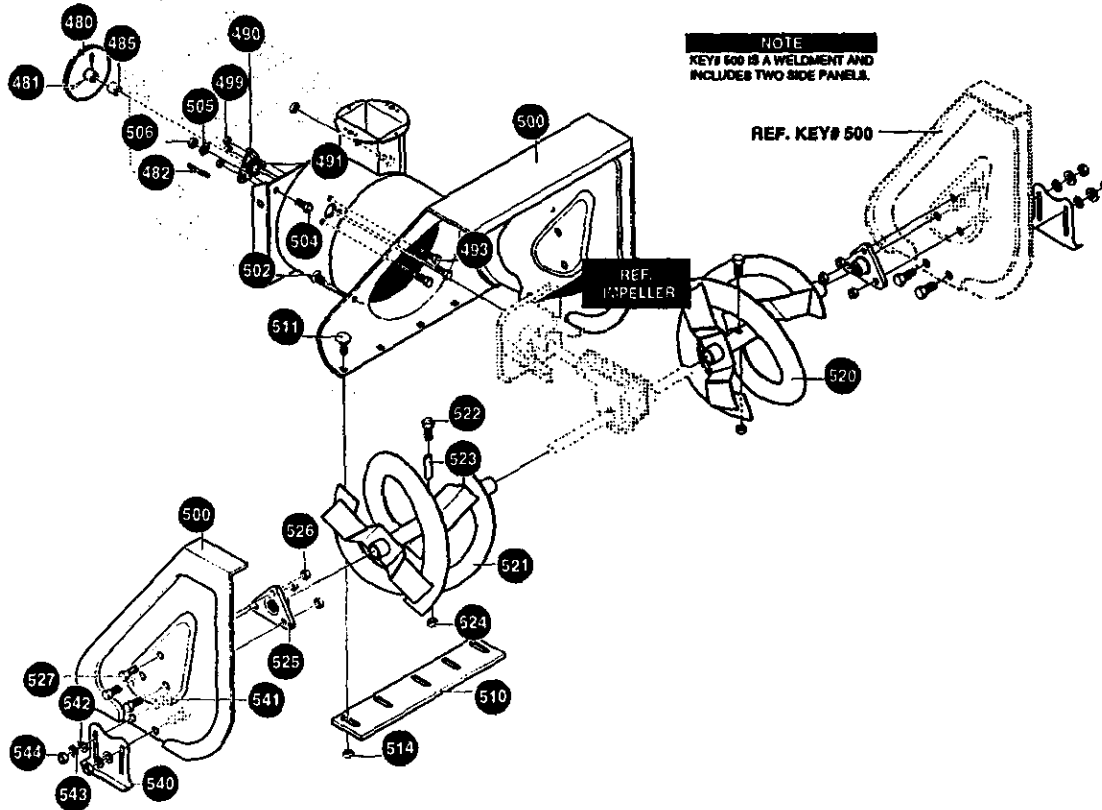


REF. NO.	PART NO.	PART NAME
300	10577	Gear Case, RH
301	10576	Gear Case, LH
303	710025	Screw, 1/4-20x.75
304	46931	Nut, 1/4-20 Mac-Lock
305	303008	Nut, 1/4-20 Hexkeys
306	9344	Screw, 3/8-16x.50 Tap.
310	9566	Oil Seal
311	50304	Bearing, Flanged
312	48275	Flatwasher .752x1.24x.093
313	340286	Shaft, Auger Output
314	51279	Gasket, Gear Case
315	51405	Gear, Worm

REF. NO.	PART NO.	PART NAME
316	431787	Key, Woodruff #61
320	50221	Bearing, Flanged
321	583125	Shaft, Worm Imp
322	580295	Thrust Collar
323	454565	Spring Pin
324	48275	Flatwasher .752x1.24x.093
325	313828	Bearing, Roll
326	50304	Bearing, Flanged
327	9566	Oil Seal
340	760194-853	Impel Assy.
341	454565	Spring Pin

313996B

CRAFTSMAN 24" - 6H.P. SNOW THROWER 536.888400
AUGER HOUSING ASSEMBLY

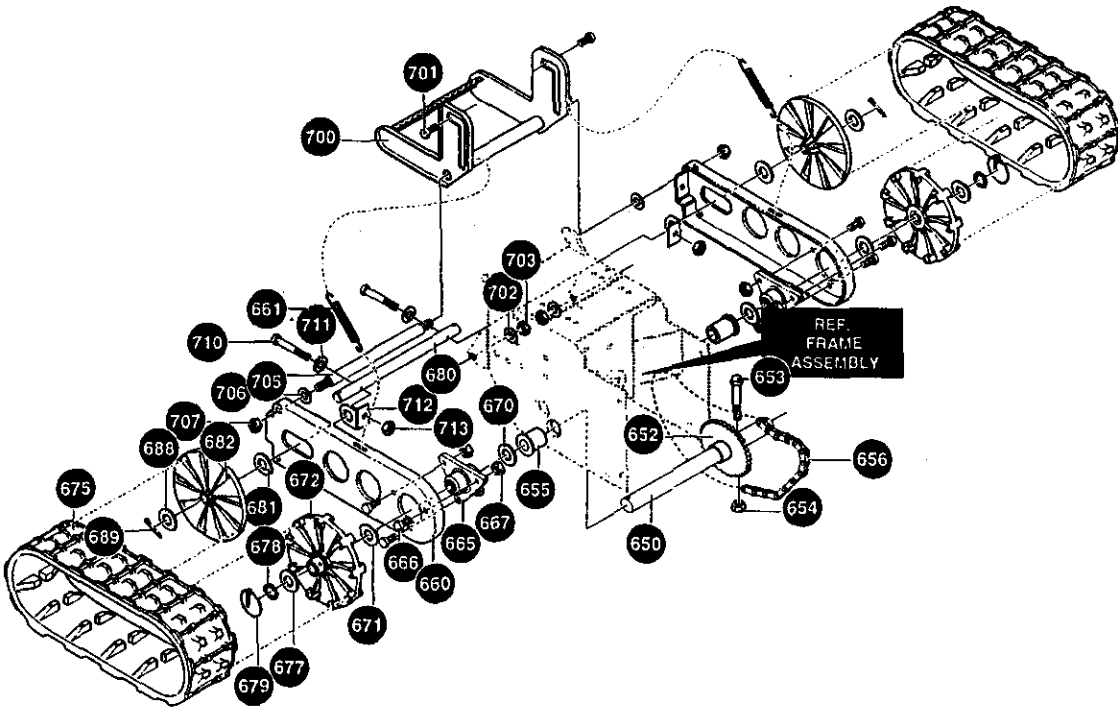


339972F

REF. NO.	PART NO.	PART NAME	REF. NO.	PART NO.	PART NAME
480	583124	Pulley, V4L	522	*	Screw, 1/4-20x1.75
481	577400	Screw 5/16-18x.63	523	3943	Spacer Sleeve
482	71371	Square Key .18Sqx.88Lg	524	*	Nut, 1/4-20 Reghexctrik
485	334514	Spacer, Slev .676x1x.53	525	9517	Flanged Bearing
490	582960	Retainer, Ball	526	711862	Nut, Top Lock
491	43846	Bearing, Ball	527	9357	Screw, 5/16-18x.75
493	180077	Screw, 5/16-18x.75	540	780061	Skid, Height Adjust
499	710026	Nut, 5/16-18 Reghex	541	340720	Carr. Bolt 5/16-18x.75
500	760810-833	Housing Assy.	542	120393	Flatwasher .344x.69x.065
502	309235	Ratchet Fastener	543	120638	Washer, Hvsptik
504	71003	Screw, 3/8-16x.75	544	120376	Nut, 5/16-18 Reghex
505	120382	Washer, Regsptik			
506	71111	Nut, 3/8-16 Hexctrik			
510	581397-853	Blade, Scraper 24"			
511	340714	Carr. Bolt, 1/4-20x.75			
514	780285	Nut, 1/4-20 Whiz-lock			
520	340518-853	Auger Assy LH			
521	340523-853	Auger Assy RH			

*The replacement part number for Key #522 is 760875 Shear Pin, Self Locking.

CRAFTSMAN 24" - 6H.P. SNOW THROWER 536.888400
TRACK ASSEMBLY

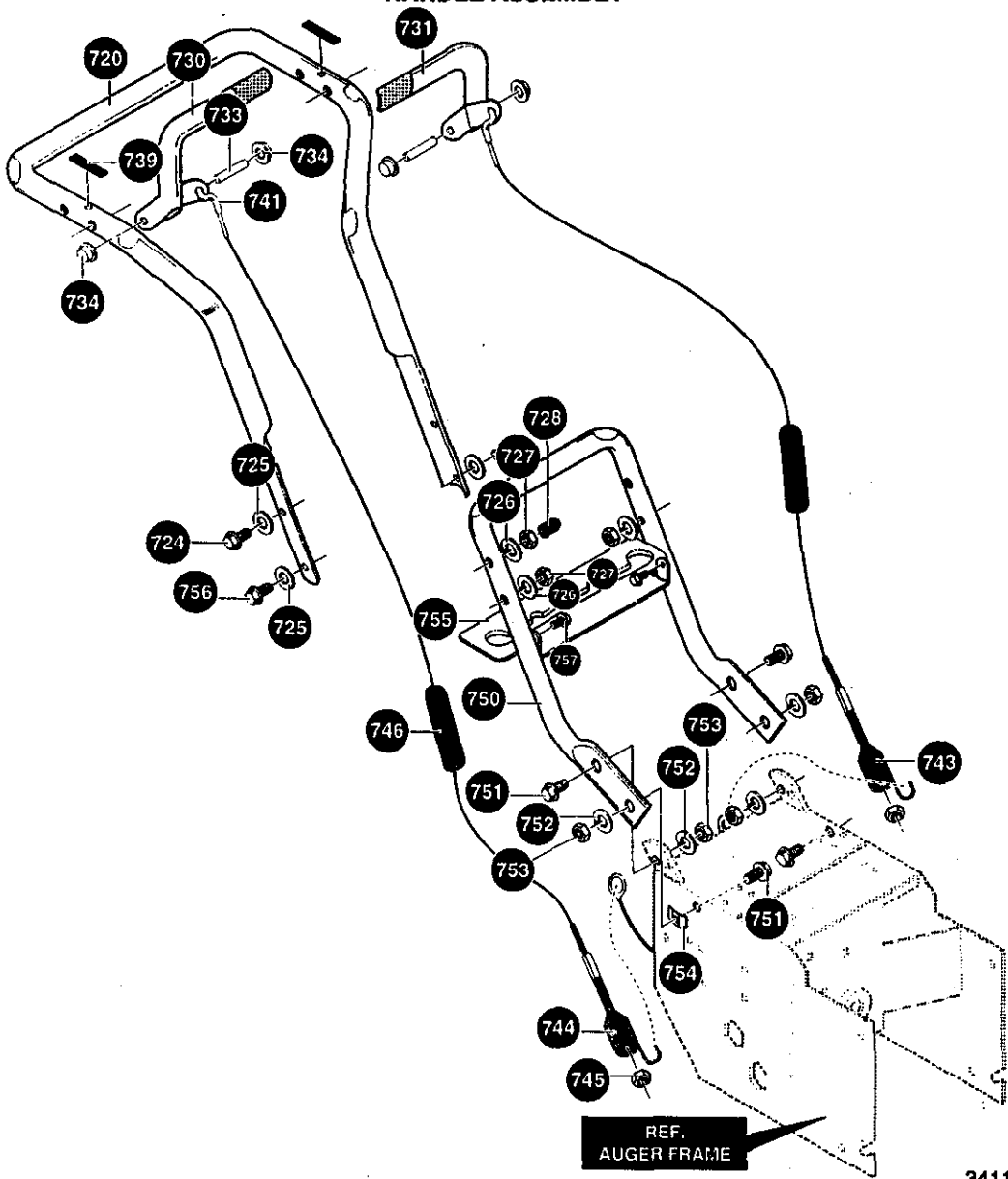


319057D

REF. NO.	PART NO.	PART NAME
650	581115	Shaft, Axle /Track
652	579901	Sprocket, Hub #40-21Tx.75
653	73839	Screw, 1/4-20x2.25
654	782585	Nut, 1/4-20 Reghexctrlk
655	581730	Bearing, Flanged
656	579867	Chain Roller #42x40P
660	580635-853	Plate, Track Direct Dr.
661	313912	Spring, Drive Idler
665	316863	Bearing, Track
666	302628	Screw, 1/4-20x 75
667	46931	Nut, 1/4-20 Mac-Lock
670	580763	Spacer .755x1.20x1.300
671	6104	Flatwasher .765x1.12x.06
672	318719	Sprocket, Track Drive
675	580984	Track, 4.75"
677	73840	Flatwasher .656x1.31x.07
678	239	Ring, Ret.
679	322424	Pin, Klik .25x1.62
680	580876	Idler Shaft 4.75" Track

REF. NO.	PART NO.	PART NAME
681	579597	Flatwasher .656x1.31x.07
682	318720	Wheel, SD 6.25OD
688	579597	Flatwasher .656x1.31x.07
689	302847	Cotter Pin .156Diax1.25Lg.
700	580657-853	Foot Pedal Assy.
701	6001	Shoulder Bolt 5/16-18
702	120638	Washer, Hvsptlk
703	120376	Nut, 5/16-18 Reghex
705	580652	Shaft, Foot Pedal 4.75" Trk
706	71072	Flatwasher .406x.81x.066
707	45171	Nut, 3/8-16 Whiz-lock
710	302618	Screw, 1/4-20x3.00
711	71067	Flatwasher .286x.63x.065
712	580634	Track Tensioner Bracket
713	782585	Nut, 1/4-20 Reghexctrlk

CRAFTSMAN 24" - 6H.P. SNOW THROWER 536.888400
HANDLE ASSEMBLY



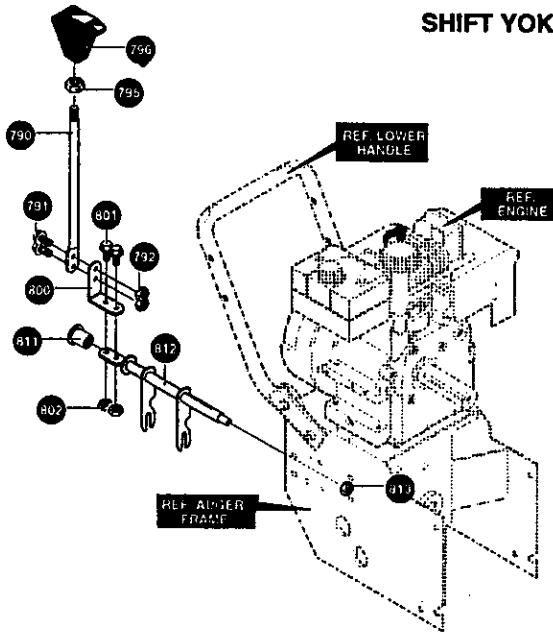
341131A

REF. NO.	PART NO.	PART NAME
720	9552-853	Upper Handle
724	11234	Screw, 5/16-18x2.75
725	120393	Flatwasher .344x.69x.065
726	120638	Washer, Hvsptlk
727	120376	Nut, 5/16-18 Reghex
728	11261	Stop, Red Plastic
730	334195	Kit for RH Handle Assy
731	334195	Kit for LH Handle Assy.
733	4140	Clutch Pin
734	3535	Nut, Push On
739	4049	Bumper, Rect.
741	1579	Cable, Clutch
743	579869	Spring, Tension

REF. NO.	PART NO.	PART NAME
744	1673	Spring, Auger Clutch
745	782585	Nut, 1/4-20 Reghexctrik
746	308146	Boot, Clutch Spring
750	339541-853	Handle, Lower
751	180079	Screw 5/16-18x1.00
752	120638	Washer, Hvsptlk
753	120376	Nut, 5/16-18 Reghex
754	309436	Pushnut, 5/16
755	337407-853	Brkt, Gear Selector
756	180087	Screw, 5/16-18x2.00
757	300303	Screw, Plastite

CRAFTSMAN 24" - 6H.P. SNOW THROWER 536.888400

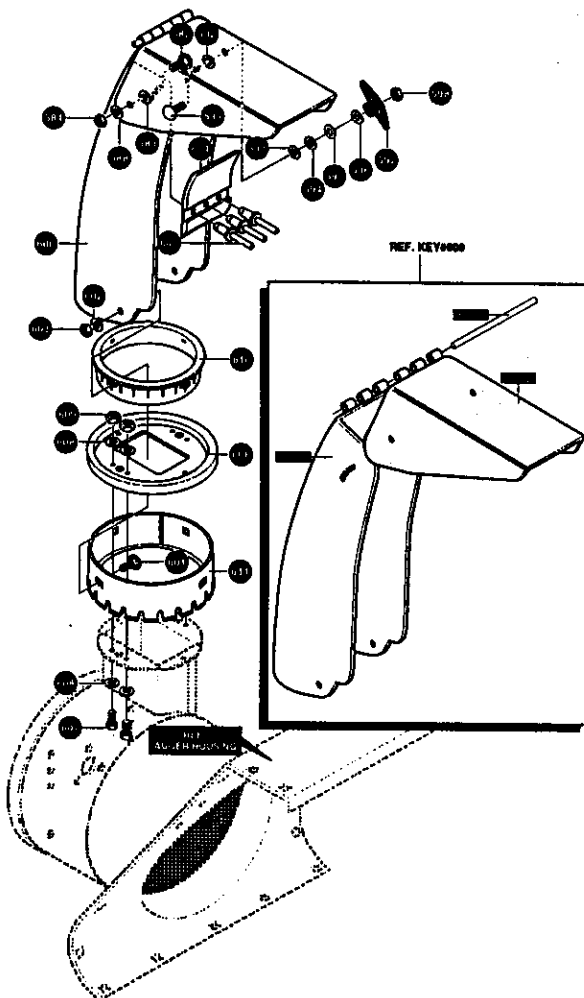
SHIFT YOKE ASSEMBLY



REF. NO.	PART NO.	PART NAME
790	581631-853	Shift Rod
791	302628	Screw, 1/4-20x.75
792	782585	Nut, 1/4-20 Reghexctrk
795	318486	Nut, 1/2-13 Hexjam
796	304438	Knob, Shift
800	760564	Lever, Spring
801	302628	Screw, 1/4-20x.75
802	782585	Nut, 1/4-20 Reghexctrk
811	579944	Bearing, Flanged
812	581795	Rod, Assy Yoke
813	71111	Nut, 3/8-16 Reghexctrk

319053D

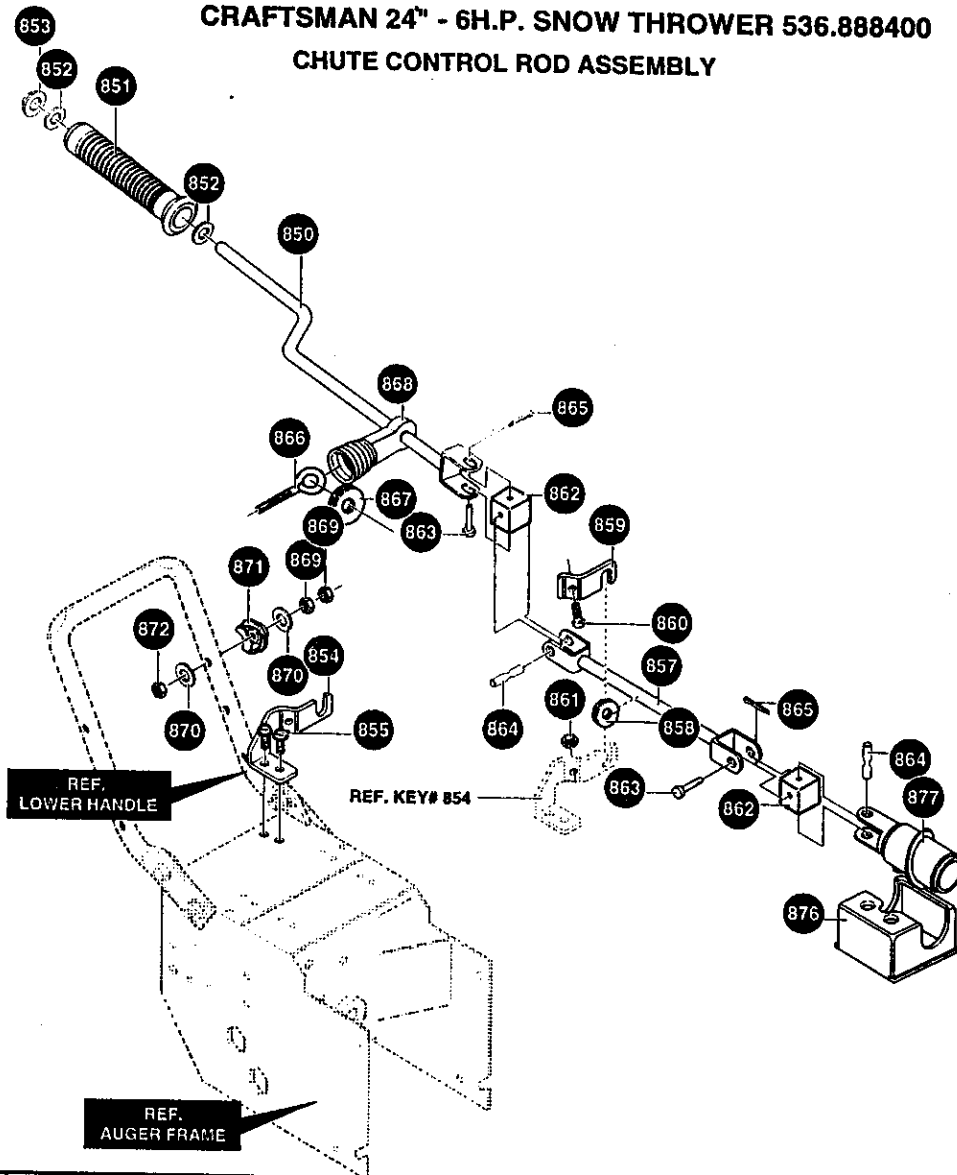
DISCHARGE CHUTE ASSEMBLY



337160E

REF. NO.	PART NO.	PART NAME
582	340720	Carr. Bolt 5/16-18x.75
583	12021	Washer, Plastic
584	71038	Nut, 5/16-18 HexNylon
588	6711	Plastic Washer
592	12021	Plastic Washer
593	6711	Plastic Washer
594	120393	Flatwasher .344x.69x.065
595	120638	Washer, Hvsptlk
596	120393	Flatwasher .344x.69x.065
597	13527	Knob, T 2 Blade
598	120376	Nut, 5/16-18 Reghex
599	126358	Carr. Bolt 5/16-18x1.00
600	760990-853	Chute Assy
600-1	760989	Chute, Lower
600-2	11780	Chute, Upper
600-3	305216	Pin, Hinge
601	586280	Carr. Bolt 5/16-18x1.00
602	120393	Flatwasher .344x.69x.065
603	71038	Nut, 5/16-18 Hexnyl
604	760268	Flap, Chute Insert
605	760987	Rivet Pop
606	585214-853	Collar, Chute Rect.
607	302628	Screw, 1/4-20x.75
608	71067	Flatwasher .286wx.63x.065
609	782585	Nut, 1/4-20 Reghexctrk
610	337227	Retainer, Ring Inner
611	585193	Retainer, Ring Outer

CRAFTSMAN 24" - 6H.P. SNOW THROWER 536.888400
CHUTE CONTROL ROD ASSEMBLY



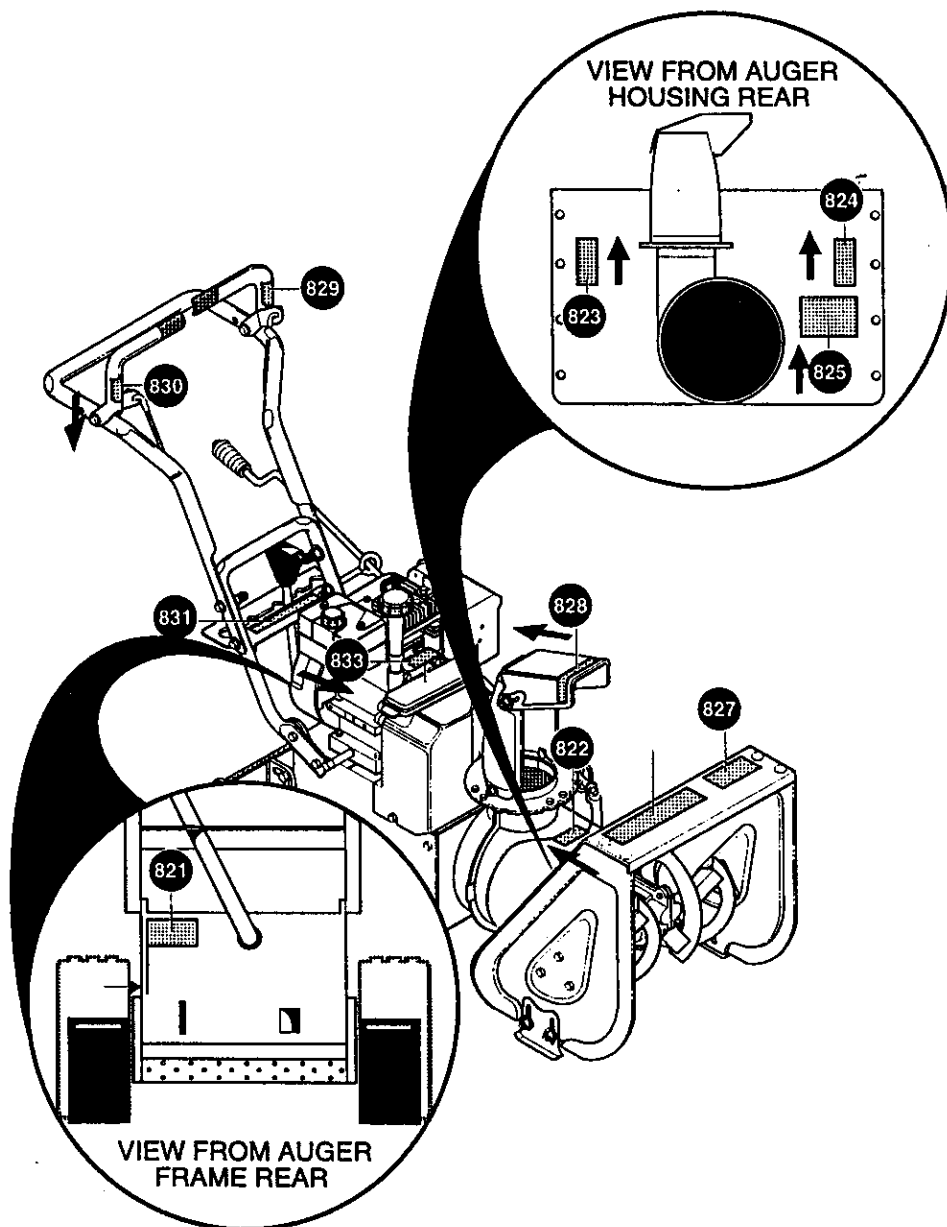
339545B

REF. NO.	PART NO.	PART NAME
850	339563	Rod Assy, Upr Crank
851	307399	Handle, Chute Crank
852	309312	Washer, Flat .39x.70x.05
853	578159	Ring, Ret. E. .375x.04
854	339198-853	Brkt, Chute Lower Rod Ctrl
855	310169	Screw 1/4-20x.63 Wahhtap
857	339560	Rod, Assy Chute Lwr
858	339534	Grommet, .40IDx.435WD
859	339507-853	Brkt, Mating Chute Ctrl
860	180016	Screw, 1/4-20x.50
861	782585	Nut, 1/4-20 Reghexctrlk
862	578063	Block, Univ Piv .375x.250

REF. NO.	PART NO.	PART NAME
863	578309	Pin, Clevis
864	578060	Pin, Univ. Join 3/8x1.00
865	579493	Pin, Cotter .06x.50
866	581618	Bolt, Eye 3/8-16x6.00
867	148	Grommet, Eye Bolt
868	308145	Boot, Eye Bolt
869	124829	Nut, 3/8-16 Hexnyl
870	71072	Washer, Flat .406x.81x.066
871	309344	Adapter, Boot to Handle
872	71046	Nut, 3/8-16 Hexnyl
876	585195	Bracket, Worm Mounting
877	585196	Worm Gear chute Rot

CRAFTSMAN 24" - 6H.P. SNOW THROWER 536.888400

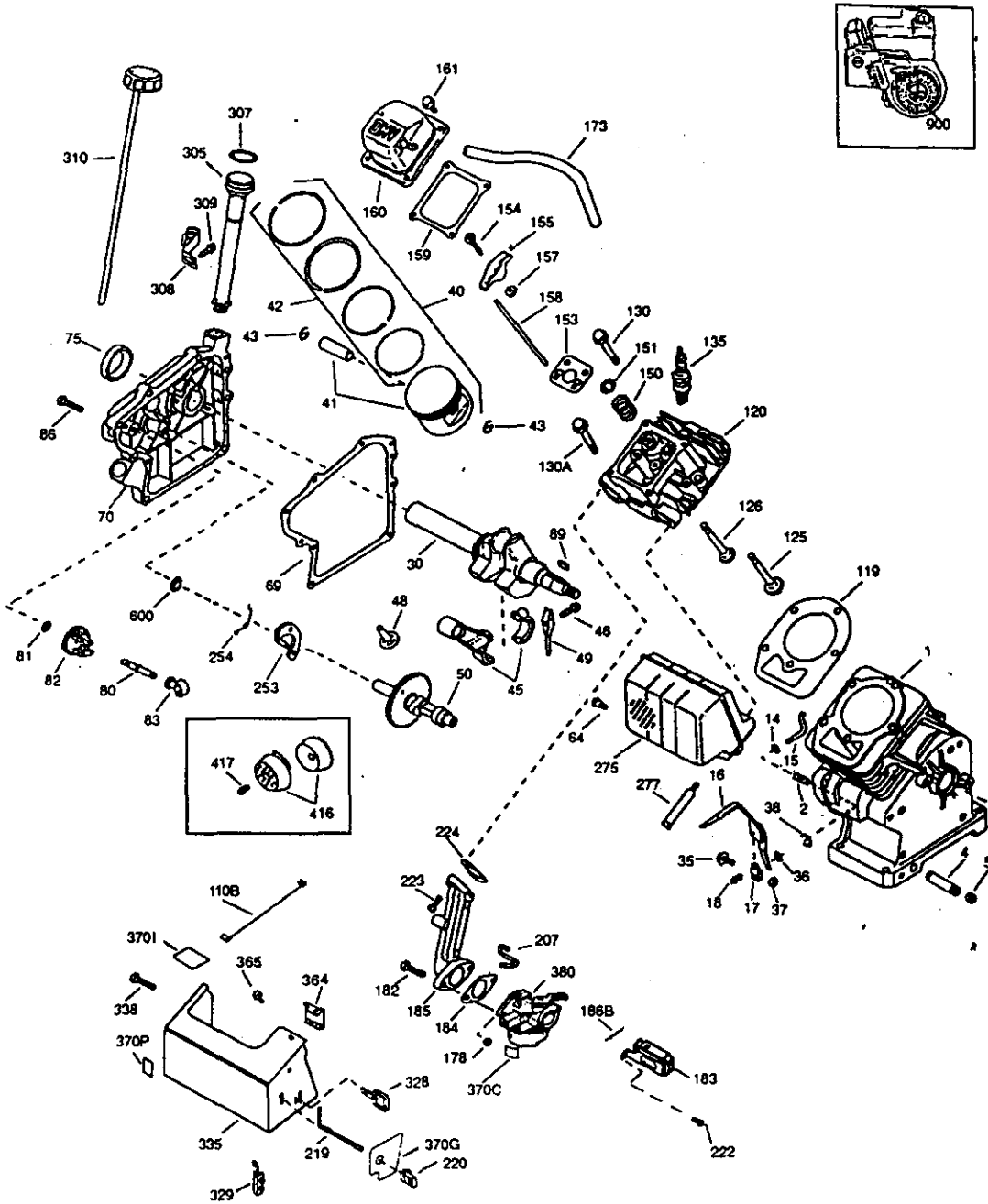
DECALS



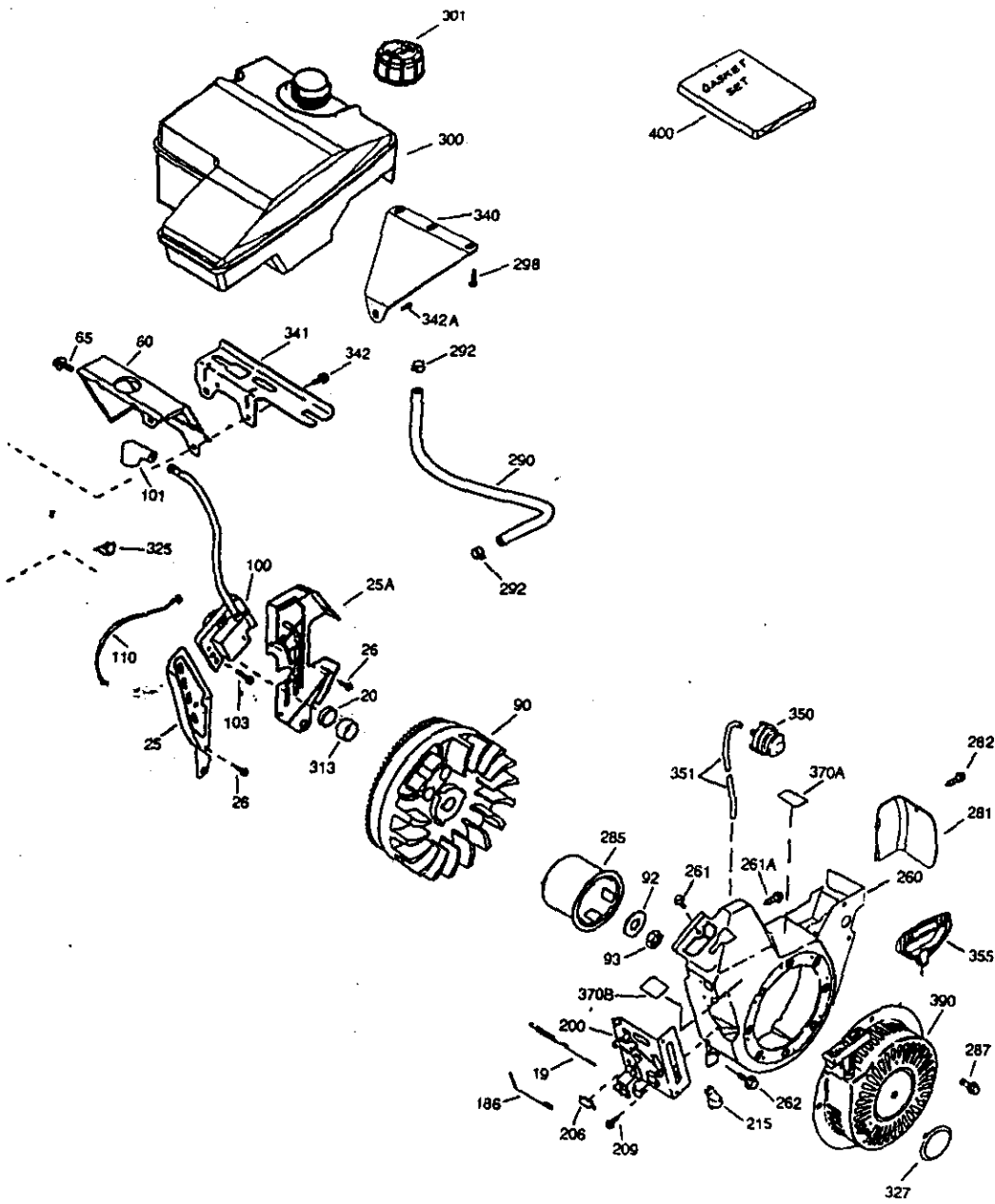
314005F

REF. NO.	PART NO.	PART NAME
822	760971	Decal, 9" Impeller
823	313892	Decal, Danger Chute
824	70141	Decal, Danger Auger
825	302922	Decal, Danger English
826	760972	Decal, Craftsman
827	761148	Decal, 6/24 ES
828	761079	Decal, Danger Chute
829	3902	Decal, Traction Dr. Engage
830	3903	Decal, Gear Selector
831	340047	Decal, Gear Selector
833	760983	Decal, Toolbox

CRAFTSMAN 4-CYCLE ENGINE MODEL NUMBER: 143.985503



CRAFTSMAN 4-CYCLE ENGINE MODEL NUMBER: 143.985503

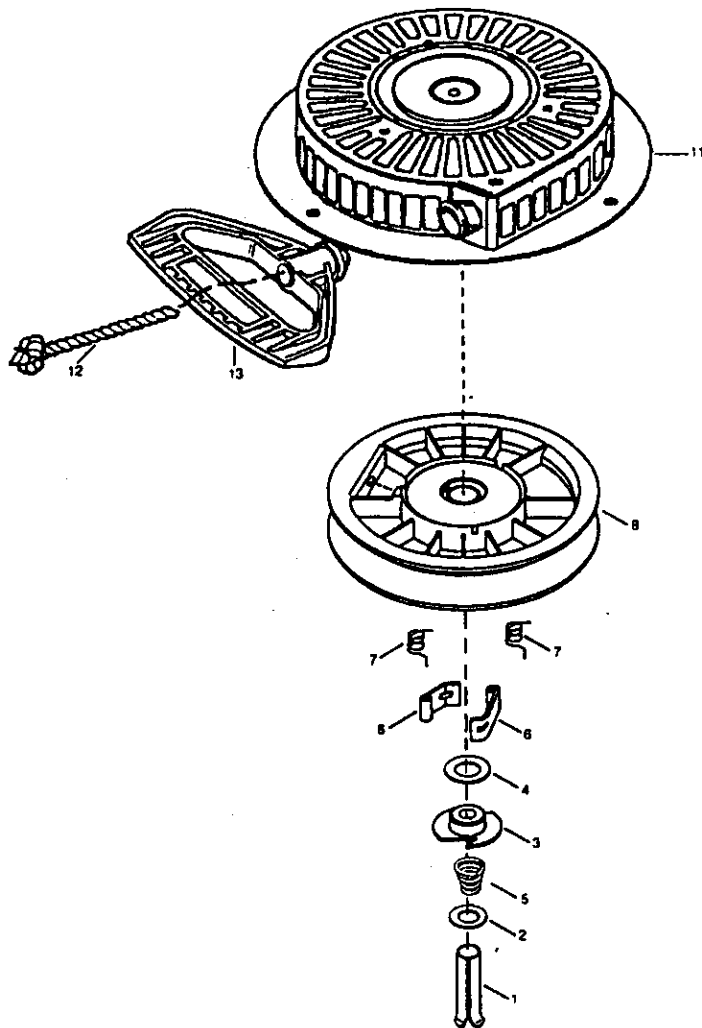


CRAFTSMAN 4-CYCLE ENGINE MODEL NUMBER: 143.985503

Ref.#	Part No.	Description	Ref.#	Part No.	Description
1	37070	Cylinder (Incl 2&20)	183	36867	Choke Bracket
2	26727	Dowel Pin	184	26756	Carburetor To Intake Pipe Gskt
4	31857	Oil Drain Extension	185	33631	Intake Pipe
5	30969	Extension Cap	186	36711	Governor Link
14	28277	Washer	186B	36652	Choke Spring
15	30589	Governor Rod	200	36824A	Control Bracket (Incl. 206)
16	36618	Governor Lever	206	610973	Terminal
17	36700	Governor Lever Clamp	207	36632	Throttle Link
18	651028	Screw 8-32x3/8" Torx T-15	209	650821	Screw 10-32 x 1/2"
19	36170	Extension Spring	215	32410	Control Knob
20	32600	Oil Seal	219	36868	Choke Rod
25	36621	Air Baffle (Left)	220	35438	Choke Knob
25A	36869	Air Baffle (Right)	222	28820	Screw 10-32 x 1/2"
26	30200	Screw 10-24x9/16"	223	650451	Screw 1/4-20 x 1"
30	34740	Crankshaft	224	36581	Intake Pipe Gasket
35	29826	Screw, 10-32x3/4"	253	36701	Compression Release Weight
36	29918	Lock Washer	254	36702	Compression Release Spring
37	29216	Lock Nut, 10-32	260	36871A	Blower Housing
38	29642	Retaining Ring	261	651008	Screw 1/4-20x31/64"
40	40004	Piston, Pin, & Ring Set (Std)	261A	650821	Screw, 10-32x1/2"
40	40005	Piston, Pin, & Ring Set (.010")	262	651008	Screw 1/4-20 x31/64"
41	36070	Piston & Pin Assy (Std) (Incl. 43)	275	36722	Muffler
41	36071	Piston & Pin Assy (.010" OS)	277	650988	Screw 1/4-20 x 2-9/32"
42	40006	Ring Set (Std)	281	36907	Starter Bubble Cover
42	40007	Ring Set (.010" OS)	282	651035	Screw, 6-32 x 25/64
43	20381	Piston Pin Retaining Ring	285	35985B	Starter Cup
45	32875A	Connecting Rod Assy (Incl. 46 & 49)	287	651008	Screw 1/4-20x31/64"
46	32610A	Connecting Rod Bolt	290	30705	Fuel Line
48	35616	Valve Lifter	292	26460	Fuel Line Clamp
49	36611	Oil Dipper	298	650665	Screw 1/4-15 x 3/4"
50	37040	Camshaft (Incl. 253 & 254)	300	36875	Fuel Tank (Incl 292 & 301)
60	36623A	Blower Housing Extension	301	35355	Fuel Cap
62	650760	Screw 8-32x3/8"	305	36877	Oil Fill Tube
64	651027	Screw 1/4-20x25/32"	307	35499	"O" Ring
65	30200	Screw 10-24x9/16"	308	36651	Fill Tube Clip
69	36624	Cylinder Cover Gasket	309	651011	Screw 10-32x5/16"
70	36625	Cylinder Cover (Incl 75-83)	310	36878	Dipstick
75	27897	Oil Seal	313	34080	Spacer
80	30574A	Governor Shaft	325	29443	Wire Clip
81	30590A	Washer	327	35392	Starter Plug
82	30591	Governor Gear Assy. (Incl 81)	328	35593	Ignition Key
83	36057	Governor Spool	329	610973	Terminal
86	650488	Screw, 1/4-20x1-1/4"	335	36873	Carburetor Cover
89	610961	Flywheel Key	338	650821	Screw 10-32 x 1/2"
90	611216	Flywheel	340	37071	Fuel Tank Bracket (Upper)
92	650815	Belleville Washer	341	36644	Fuel Tank Bracket (Lower)
93	650816	Flywheel Nut	342	651010	Screw 1/4-20x7/8"
100	34443A	Solid State Ignition	342A	650738	Screw, 1/4-20 x 5/8"
101	610118	Spark Plug Cover	350	570682	Primer Assy
103	651007	Screw Torx T-15 10-24x15/16"	351	32180C	Primer Line
110	36230	Ground Wire	355	590574	Starter Handle (Mitten Grip)
110B	36874	Ground Wire	364	36872	Carburetor Cover Bracket
119	36719	Cylinder Head Gasket	365	650821	Screw 10-32 x 1/2"
120	36721	Cylinder Head (Incl 131)	370A	36261	Lubrication Decal
125	36471	Exhaust Valve (std) (Incl 151)	370B	36899	Control Decal
125	36472	Exhaust Valve (1/32" OS) (Incl. 151)	370C	36501	Primer Decal
126	29314C	Intake Valve (std) (Incl. 151)	370G	36906	Instruction Decal
126	29315C	Intake Valve (1/32" OS) (Incl. 151)	370I	34414	Warning Decal
130	650912	Screw 5/16-18x1-1/2"	370P	35878	Heat Warning Decal
130A	650999	Screw 5/16-18 x 2-41/64"	380	640058	Carburetor (Incl. 184)
135	34645	Resistor Spark Plug (RN4C)	390	590733	Rewind Starter
150	37039	Valve Spring	396	33290E	Electric Starter Motor (110 Volt)
151	31673	Valve Spring Cap	400	36720	Gasket Set
153	36649	Push Rod Guide	416	36085	Spark Arrestor Kit (Incl 417) (Optional)
154	650913	Rocker Arm Stud	417	650760	Screw 8-32X3/8"
155	35624A	Rocker Arm	600	651013	Washer
157	650914	Nut, 1/4-28	900	None	Replacement Short Block
158	36629	Push Rod			
159	35626	Rocker Arm Cover Gasket			
160	36630A	Rocker Arm Cover			
161	651008	Screw 1/4-20x31/64"			
173	36675A	Breather Tube			
178	650852	Nut 1/4-20			
182	650431	Screw 1/4-20 x 1"			

CRAFTSMAN 4-CYCLE ENGINE MODEL NUMBER: 143.985503

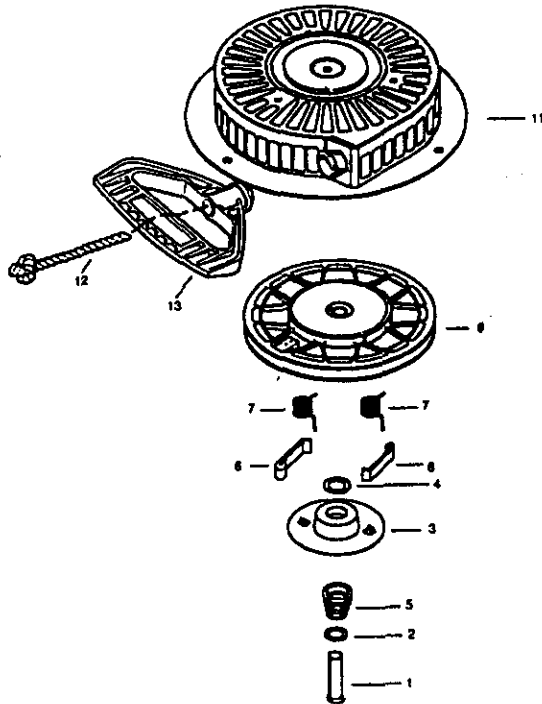
Starter No. 590733



REF. NO.	PART NO.	PART NAME
0	590733	Rewind Starter
1	590599A	Spring Pin (Incl 4)
2	590600	Washer
3	590696	Retainer
4	590601	Washer
5	590697	Brake Spring
6	590698	Starter Dog
7	590699	Dog Spring
8	590709	Pulley & Rewind Spring
11	590734	Starter Hsing Assy
12	590535	Starter Rope (Length 98"x9/64" dia.)
13	590574	Mitten Grip Handle (included w/starter)

CRAFTSMAN 4-CYCLE ENGINE MODEL NUMBER: 143.985503

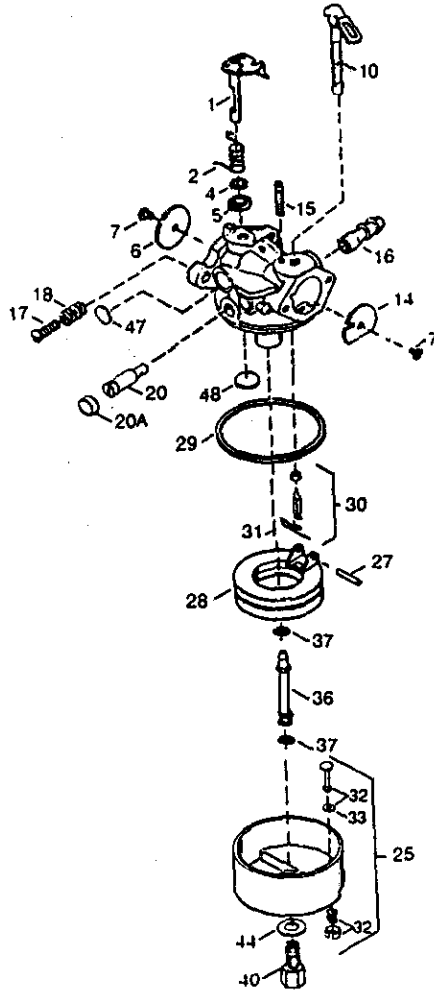
Starter No. 590749 (Optional)



REF. NO.	PART NO.	PART NAME
0	590749	Rewind Starter
1	590599A	Spring Pin (Incl 4)
2	590600	Washer
3	590679	Retainer
4	590601	Washer
5	590698	Brake Spring
6	590680	Starter Dog
7	590412	Dog Spring
8	590682	Pulley & Rewind Spring
11	590750	Starter Hsing Assy
12	590535	Starter Rope (Length 98"x9/64" dia.)
13	590574	Mitten Grip Handle (included w/starter)

CRAFTSMAN 4-CYCLE ENGINE MODEL NUMBER: 143.985503

Carburetor No.640058



REF. NO.	PART NO.	PART NAME
0	640058	Carburetor (incl 184 on engine)
1	631615	Throttle Shaft & Lever Ass'y.
2	631767	Throttle Return Spring
4	631184	Dust Seal Washer
5	631183	Dust Seal (Throttle)
6	631036	Throtter Shutter
7	650506	Shutter Screw
10	632118	Choke Shaft & Lever Assy
14	631890	Choke Shutter
15	630735	Choke Positioning Spring
16	632164	Fuel Fitting
17	650417	Throttle Crack Screw/Idle Speed Screw
18	630766	Tension Spring
20	640018	Idle Restrictor Screw
20A	640053	Idle Restrictor Screw Cap
25	631951	Float Bowl Assy (Incl 32&33)
27	631024	Float Shaft

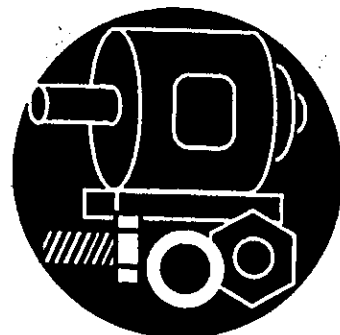
REF. NO.	PART NO.	PART NAME
28	632019	Float
29	631028	Float Bowl "O" Ring
30	631021	Inlet Needle, Seat & Clip (Incl 31)
31	631022	Spring Clip
32	27136A	Bowl Drain Assembly
33	27554	Drain Plunger Gasket
36	640019	Main Nozzle Tube
37	632547	"O" Ring Main Nozzle Tube
40	640059	High Speed Bowl Nut
44	27110	Bowl Nut Washer
47	630748	Welch Plug, Idle Mixture Well
48	631027	Welch Plug, Atmospheric Vent

For the repair or replacement parts you need delivered directly to your home
Call 7 am-7 pm, 7 days a week

1-800-366-PART

(1-800-366-7278)

Para ordenar piezas con entrega a domicilio -1-800-659-7084



For in-house major brand repair service
Call 24 hours a day, 7 days a week

1-800-4-REPAIR

(1-800-473-7247)

Para pedir servicio de reparación a domicilio - 1-800-676-5811



For the location of a Sears Parts and Repair Center in your area
Call 24 hours a day, 7 days a week

Call 24 hours a day, 7 days a week

1-800-488-1222



For information on purchasing a Sears Maintenance Agreement or to inquire about an existing Agreement
Call 9 am -5pm, Monday-Saturday

Call 9 am -5pm, Monday-Saturday

1-800-827-6655



When requesting service or ordering parts, always provide the following information:

- Product Type
- Part Number
- Model Number
- Part Description

SEARS
REPAIR SERVICES

America's Repair Specialists

Printed in U.S.A.

Free Manuals Download Website

<http://myh66.com>

<http://usermanuals.us>

<http://www.somanuals.com>

<http://www.4manuals.cc>

<http://www.manual-lib.com>

<http://www.404manual.com>

<http://www.luxmanual.com>

<http://aubethermostatmanual.com>

Golf course search by state

<http://golfingnear.com>

Email search by domain

<http://emailbydomain.com>

Auto manuals search

<http://auto.somanuals.com>

TV manuals search

<http://tv.somanuals.com>